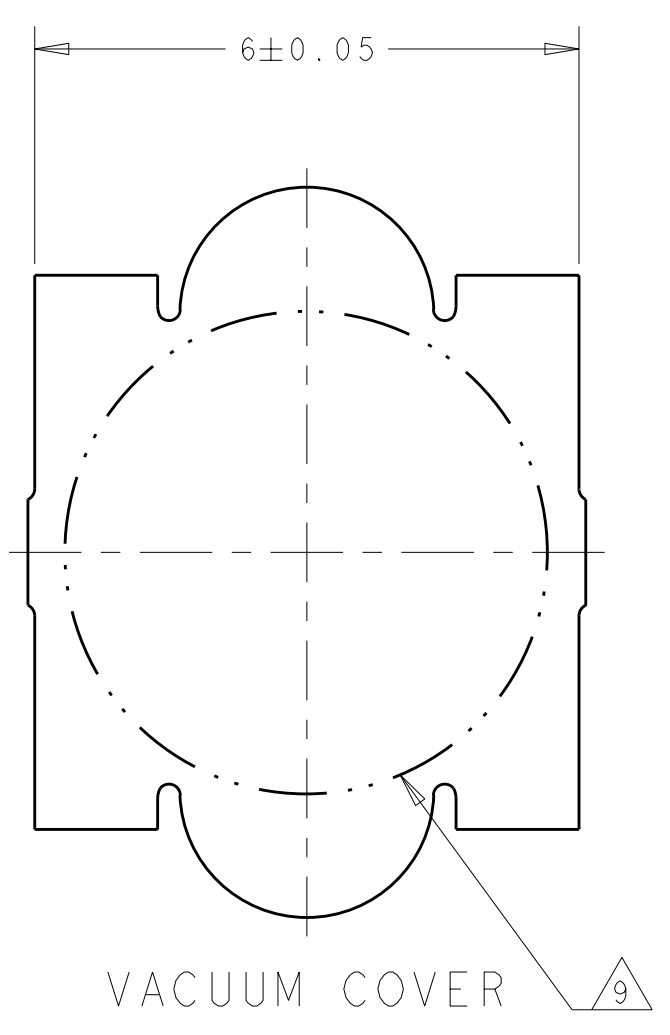
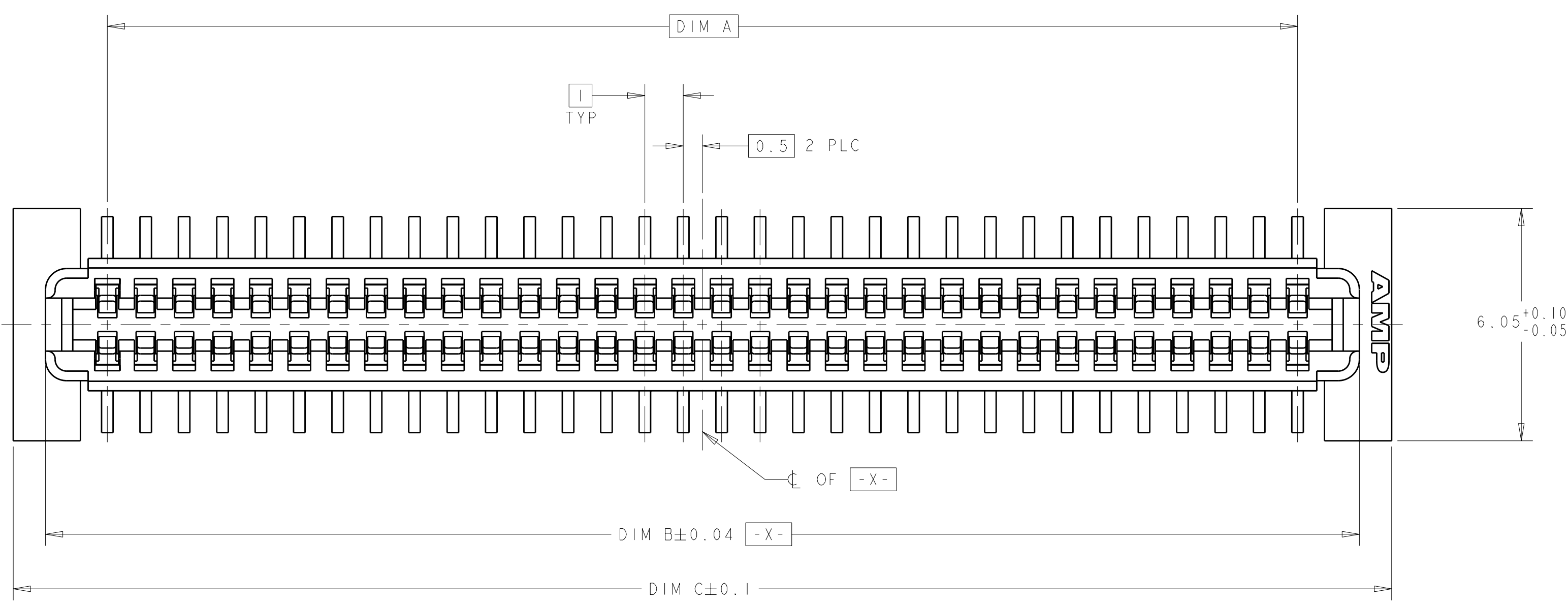
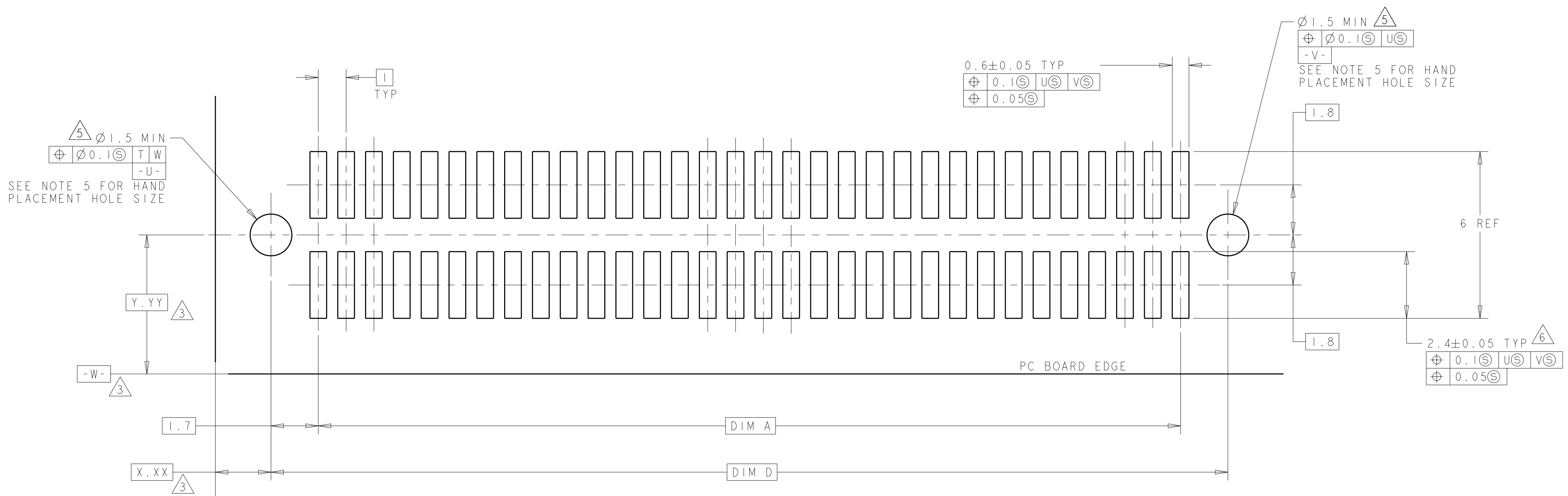
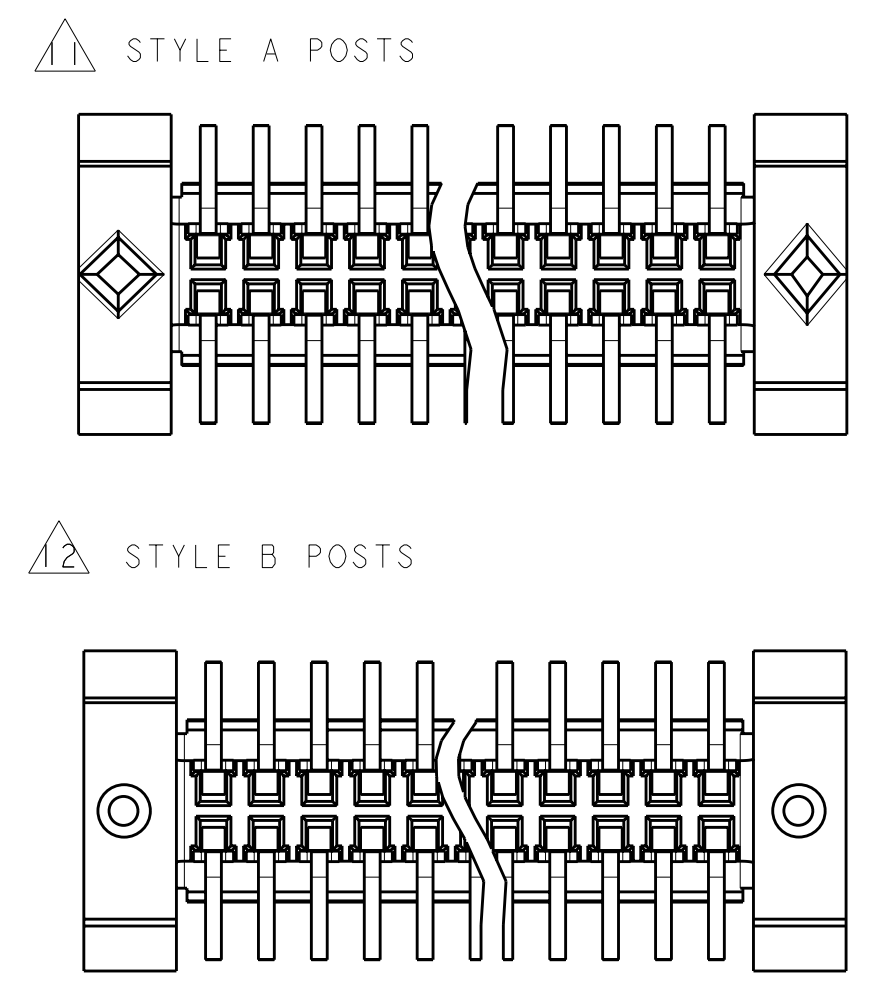
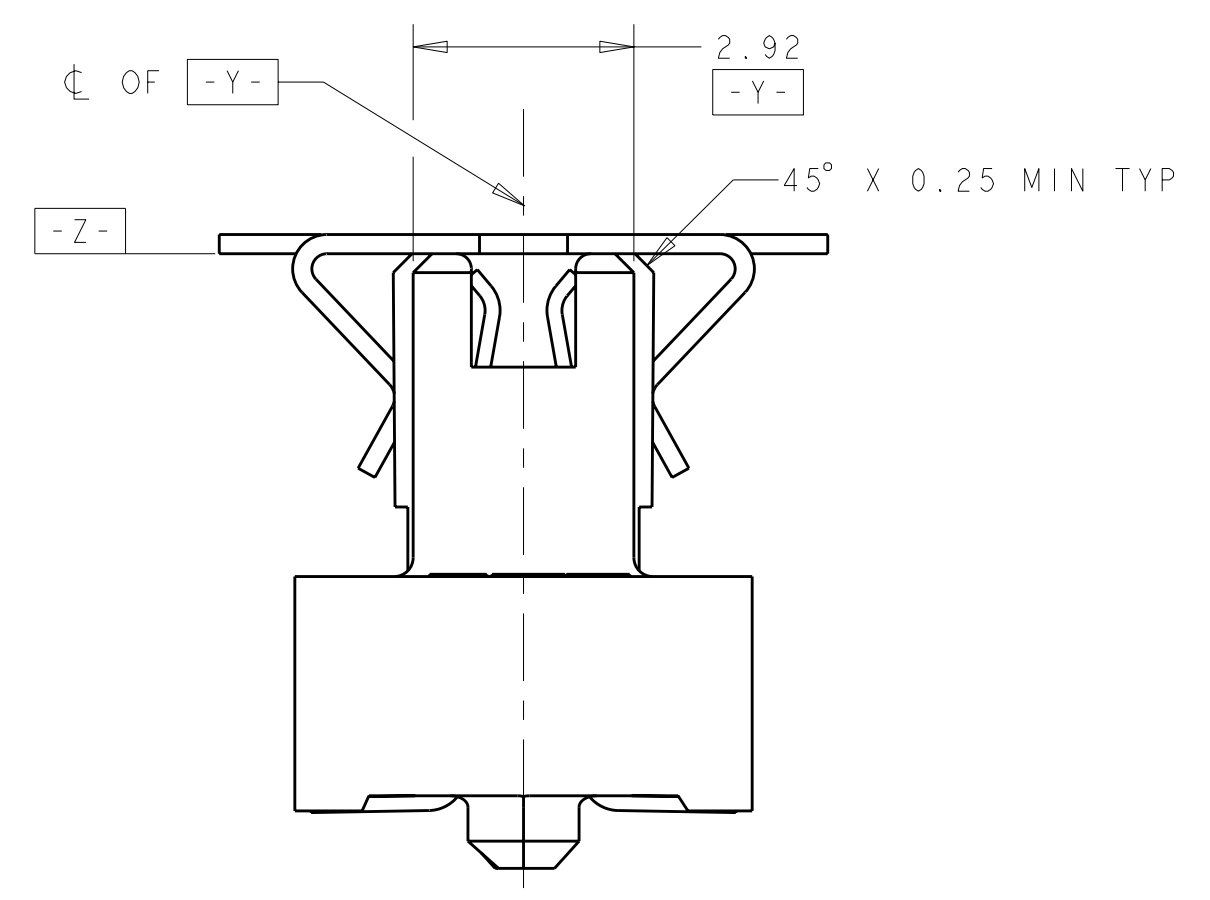
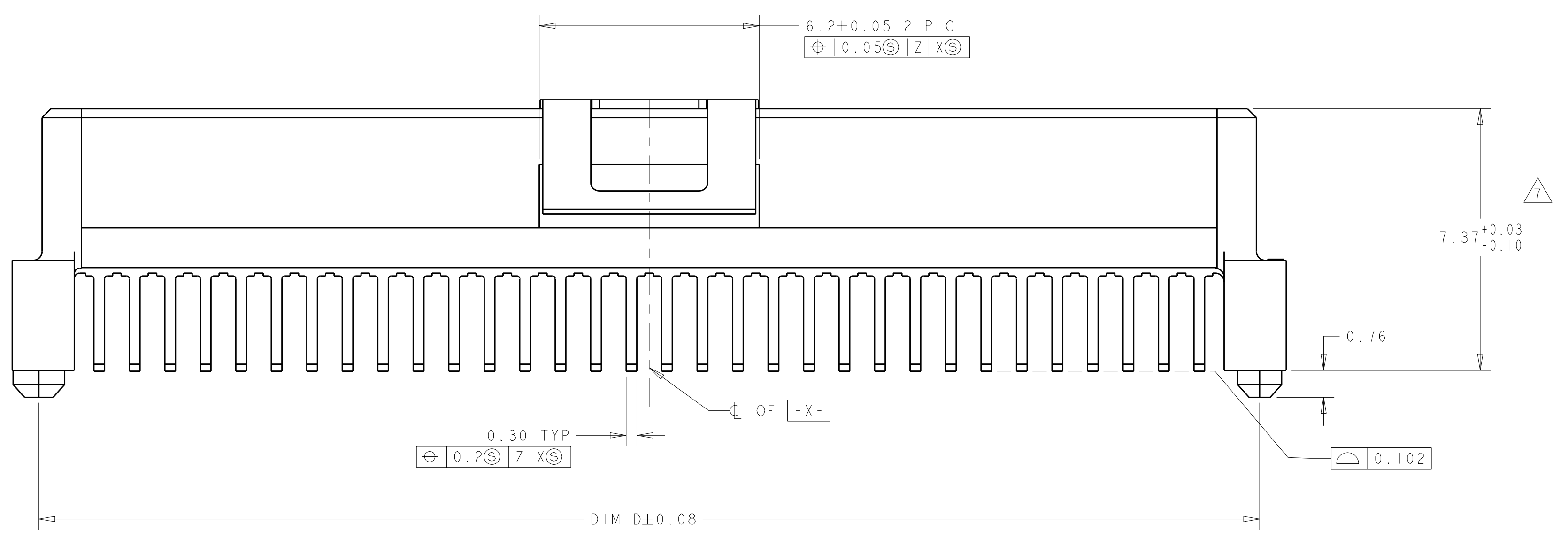


| LOC | DIST | REV | DATE      | BY  | APPD |
|-----|------|-----|-----------|-----|------|
| AD  | 00   | 0   | 01OCT2004 | BC  | RW   |
|     |      | A   | 19JAN2007 | BC  | DB   |
|     |      | B   | 10JUL2008 | DH  | DB   |
|     |      | B1  | 25AUG2009 | AEG | DD   |



- 1 HOUSING MATERIAL: HIGH TEMPERATURE THERMOPLASTIC, COLOR: BLACK. CONTACT MATERIAL: PHOSPHOR BRONZE.
- 2 CONTACT FINISH: NICKEL UNDERPLATE ALL OVER, MATING SURFACES PLATED TO MEET PLI PERFORMANCE REQUIREMENTS OF INDUSTRY SPECIFICATION EIA-700AAAB, SOLDER TAILS PLATED TIN.
- 3 DATUM LOCATIONS AND BASIC DIMENSIONS TO BE ESTABLISHED BY THE CUSTOMER. CONSULT AMP ENGINEERING WHEN PLACING MULTIPLE CONNECTORS ON A PC BOARD.
- 4 PACKAGED IN TAPE ON REEL PER EIA-481.
- 5 1.4 ± 0.05 DIAMETER HOLE WHEN PLACING BY HAND.
- 6 SHORTER SOLDER LANDS MAY BE USED PER EIA 700AAAB, HOWEVER 2.4 LENGTH ASSURES OPTIMUM SOLDER FILLET REGARDLESS OF MANUFACTURER OF CONNECTOR.
- 7 REFERRED TO AS DIM H = 7.3 ± 0.1 IN EIA 700AAAB SPECIFICATION.
- 8 VACUUM COVER NOT SHOWN IN SOME VIEWS FOR CLARITY.
- 9 5.5 MIN DIAMETER TARGET AREA FOR VACUUM PICK-UP.
- 10 CONTACT FINISH: 0.00381 MINIMUM MATTE TIN PER ASTM B 545 ON SOLDER AREA, 0.00127 MINIMUM GOLD PER ASTM B 488 ON MATING AREA, BOTH OVER 0.00127 MINIMUM NICKEL PER SAE-AMS-QQ-N-290 ON ENTIRE CONTACT.
- 11 SQUARE AND DIAMOND SHAPED POSTS
- 12 ROUND SHAPED POSTS



| POST STYLE | FINISH | DIM D | DIM C | DIM B | DIM A | STACK HEIGHTS | POS | PART NUMBER |
|------------|--------|-------|-------|-------|-------|---------------|-----|-------------|
| 12         | 10     | 44.4  | 45.9  | 44.22 | 41    | 11, 12        | 84  | 3-5146894-2 |
| 12         | 10     | 34.4  | 35.9  | 34.22 | 31    | 11, 12        | 64  | 3-5146894-1 |
| 12         | 2      | 44.4  | 45.9  | 44.22 | 41    | 11, 12        | 84  | 2-5146894-2 |
| 12         | 2      | 34.4  | 35.9  | 34.22 | 31    | 11, 12        | 64  | 2-5146894-1 |
| 11         | 10     | 44.4  | 45.9  | 44.22 | 41    | 11, 12        | 84  | 1-5146894-2 |
| 11         | 10     | 34.4  | 35.9  | 34.22 | 31    | 11, 12        | 64  | 1-5146894-1 |
| 11         | 2      | 44.4  | 45.9  | 44.22 | 41    | 11, 12        | 84  | 5146894-2   |
| 11         | 2      | 34.4  | 35.9  | 34.22 | 31    | 11, 12        | 64  | 5146894-1   |

THIS DRAWING IS UNPUBLISHED. RELEASED FOR PUBLICATION BY TYCO ELECTRONICS CORPORATION, ALL RIGHTS RESERVED.

AMP 4805 REV 31MAR2000

Pro/ENGINEER DRAWING

RECEPTACLE ASSY, W/VACUUM COVER, 1.0mm FH (IEEE 1386) CONNECTOR

SCALE 10:1 SHEET 1 OF 1 REV B1