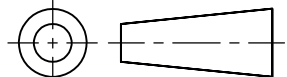
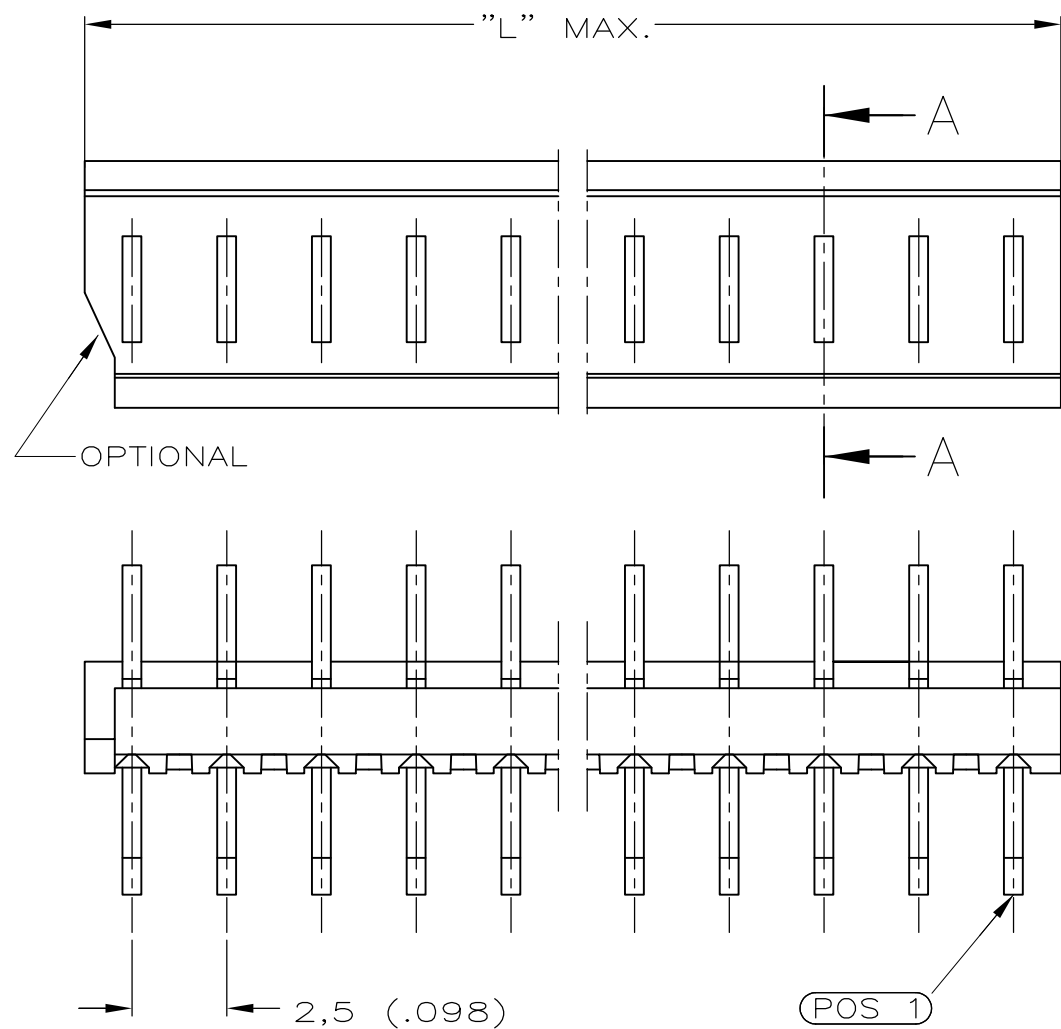


DO NOT SCALE  
DIMENSIONS IN mm

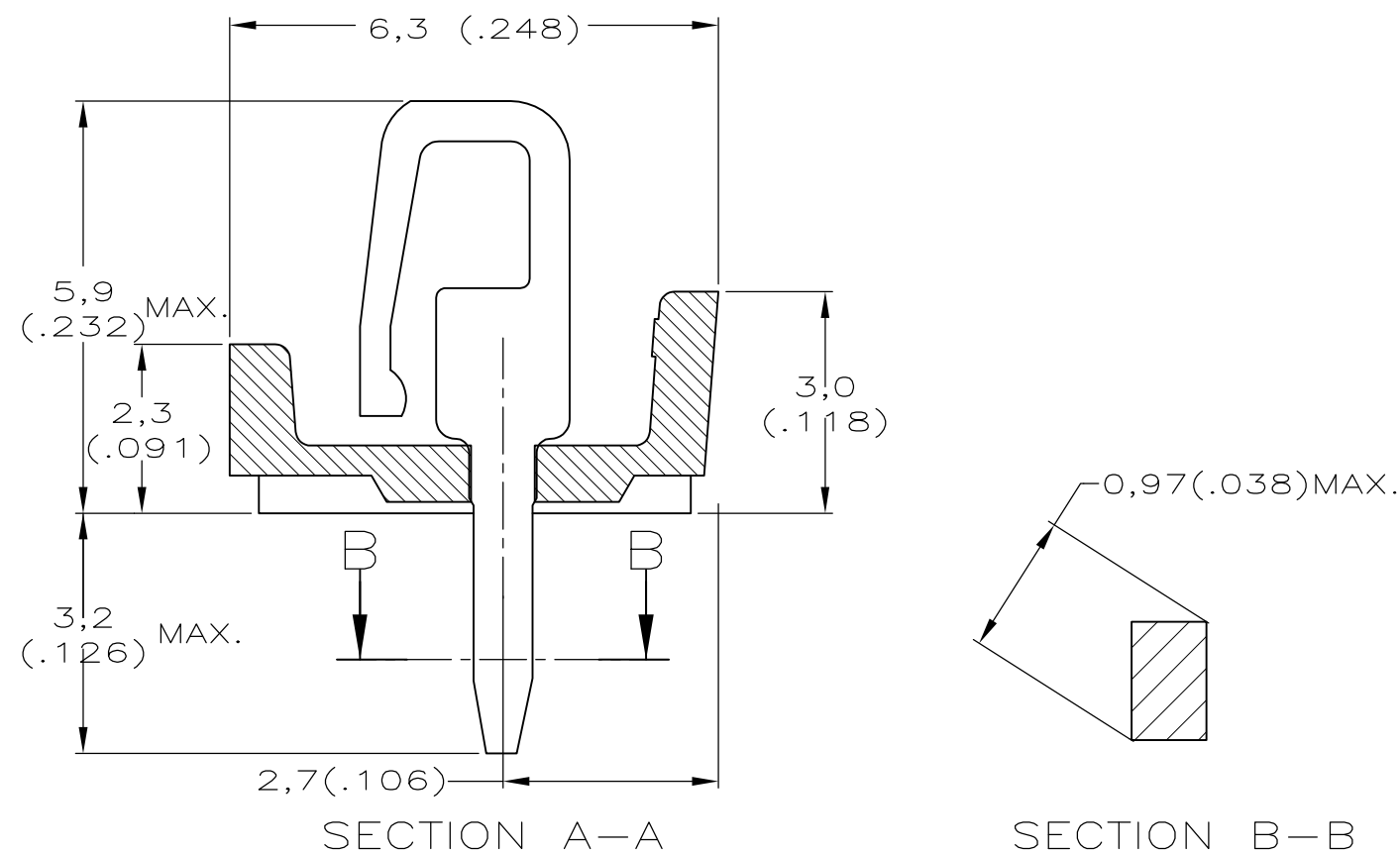
METRIC

THIRD ANGLE  
PROJECTION 



	PARTNUMBER	NUMBER OF POS.	"L" MAX.	
			mm	INCH
	0-164713-2	2	5,0	.197
	0-164713-3	3	7,5	.295
	0-164713-4	4	10,0	.394
	0-164713-5	5	12,5	.492
	0-164713-6	6	15,0	.591
	0-164713-7	7	17,5	.689
△ OBSOLETE	<del>0-164713-8</del>	8	20,0	.787
	0-164713-9	9	22,5	.886
	1-164713-0	10	25,0	.984
	1-164713-1	11	27,5	1.083
	1-164713-2	12	30,0	1.181
OBSOLETE	1-164713-3	13	32,5	1.280
OBSOLETE	1-164713-4	14	35,0	1.378
	1-164713-5	15	37,5	1.476
OBSOLETE	1-164713-6	16	40,0	1.575
OBSOLETE	1-164713-7	17	42,5	1.673
△ OBSOLETE	<del>1-164713-8</del>	18	45,0	1.772
OBSOLETE	1-164713-9	19	47,5	1.870
△ OBSOLETE	<del>2-164713-0</del>	20	50,0	1.969

△ OBSOLETE PARTS: OBSOLETE CIS STREAMLINING PER D.RENAUD/D.SINISI



HOUSING: PBT 20% GLASSFILLED					SEE TABLE
CONTACT: TIN-LEAD (93/7) OVER NICKEL PLATED BRASS					
MATERIAL					PARTNUMBER
-	-	-	-	-	CUSTOMER DRAWING FOR REFERENCE ONLY WILL NOT BE UPDATED
-	-	-	-	-	© COPYRIGHT 19 - BY AMP HOLLAND B.V. ALL INTERNATIONAL RIGHTS RESERVED. AMP PRODUCTS MAY BE COVERED BY U.S. AND FOREIGN AND/OR PATENTS PENDING.
-	-	-	-	-	THIS DRAWING IS UNPUBLISHED RELEASED FOR PUBLICATION _____, 19 _____
-	-	-	-	-	<b>AMP</b> AMP HOLLAND B.V. 's-Hertogenbosch, The Netherlands.
K1	ECO-09-021826	KK	AEG	24AUG09	NAME MINI-MATCH CONN. ASS'Y 2-20 POS. 2,5mm PITCH
K	EH-1081-97	D.K.	R.H.	06 OCT 96	
J	EH-0777-96	D.K.	HvD	04 JUL 96	
LTR.	REVISION RECORD	DR.	CHK.	DATE	
DR.: D. KESSLER	CHK.: H. v. DELFT	APP.: E. LEUTENS	DWG.No. 164713	REV.LTR. K1	SHEET 1 OF 1 A3
DATE: 04 JUL 96	DATE: -	DATE: -			