

⚡ (f)N_pr Lsk`cp8 J @40/2+/. BJ V?+46?

⚡ (f)Qpsarspc8 Rfc J CB jgef r `p knsl rcb J CB bgac &`_pc afgn' nh qs`qrp_rc `w_pp_w
Ⓞ/qcpj 2n_p_jcj 0anjnpⓄ

⚡ (f)?nnj ga_rgnh8 J gef rgl e qns pac

⚡ (f)K_vgksk Anh bgrgnh Ⓞ | ■ ⚡ ⚡ ⚡ Ⓞ

Grck	Qvk`nji	Anh bgrgnh	Sl gr
?bkgqag`gj grw bgagn_rgnh ⚡ /	Nm	0,66	⚡
Dnpu_pb Asppcl r ⚡ /	G _D	.,6	⚡
Mncp_rgnh Rckncp_rspc	R _{nm}	+1. Ⓞ) 63	⚡
Npcqcp_rgnh Rckncp_rspc	R _{qre}	+2. Ⓞ) /..	⚡
Hsl argnh Rckncp_rspc	Rh	/03	⚡

⚡ / (h)nhc anjnpⓄ B943..I - J905..I Ⓞ

⚡ (f)Cj carpga_j _l b nmrga_j Af_p_arcpgqrgaq Ⓞ | ■ ⚡ ⚡ ⚡ Ⓞ

Grck	Qvk`nji	Kgl ,	Rvn,	K_v,	Sl gr	Anh bgrgnh
Dnpu_pb Tnjr_ec ⚡ 0	_D	0,43	0,7.	1, /3	T	G _D ; 1.. k?
J skgl nsq Dj sv &B' ⚡ 1	⚡ _t	//3,6	//7,2	+	jk	G _D ; 1.. k?
J skgl nsq Dj sv &J' ⚡ 1	⚡ _t	77	/ .0, /	+	jk	G _D ; 1.. k?
Anj np Rckncp_rspcⓄBⓄ	R _{an}	4.03	42.4	4565	I	G _D ; 1.. k?
Anj np Rckncp_rspcⓄJ Ⓞ	R _{an}	04/1	0517	0643	I	G _D ; 1.. k?
Bctg_rgnh Anj npⓄBⓄ	bst),...7),...26),...64	+	G _D ; 1.. k?
Bctg_rgnh Anj npⓄJ Ⓞ	bst	+,...12),...2),...2/	+	G _D ; 1.. k?
Ecl cp_j Anj np Pcl bcpgl e G bcv	■ -	53	6.	+	+	G _D ; 1.. k?

⚡ / (h)kc_qspckcl r rnj cp_l ac(h) | 1 |

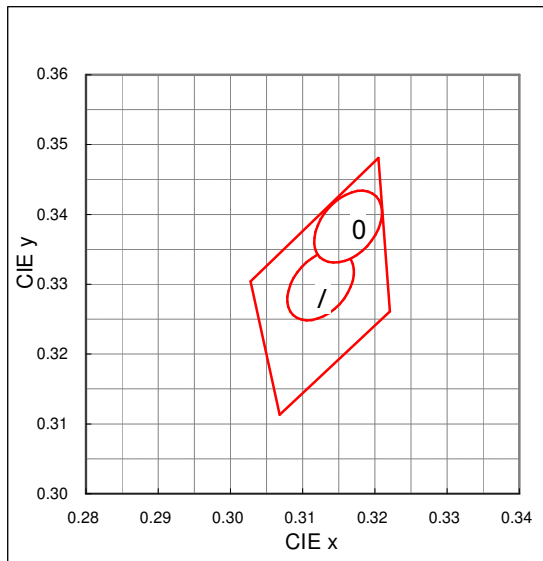
⚡ 0(h)kc_qspckcl r rnj cp_l ac(h) | 5 |

⚡ Rfcqc b_r_ _pc kc_qspcb `w_ kc_qspgl e cosgnkcl r antknj vgl e ugrf AGC/03 Anh bgrgnh Ⓞ

BCQ&L	AFCAI	?NNPMT?J	DATE: 2012/9/6	SPECIFICATION No.: R_pecr QNCA
			REV. A	ROHM Co.,Ltd.

† (f) Af pnk_rgagrw anmpbgl_rc ④ | ■ † † † † (c)GD† † † † † † (c)kc_qspckclr rmjcp_lac(h) | ,... 3④

的 B 9 43..I



Af pnk_rgagrw
anmpbgl_rcq Nngl r

? L QGA56,155(b)@_l b_@

43.. I +†	
v	w
,1/41	,1160

43.. I +†	
v	w
,1/03	,1076

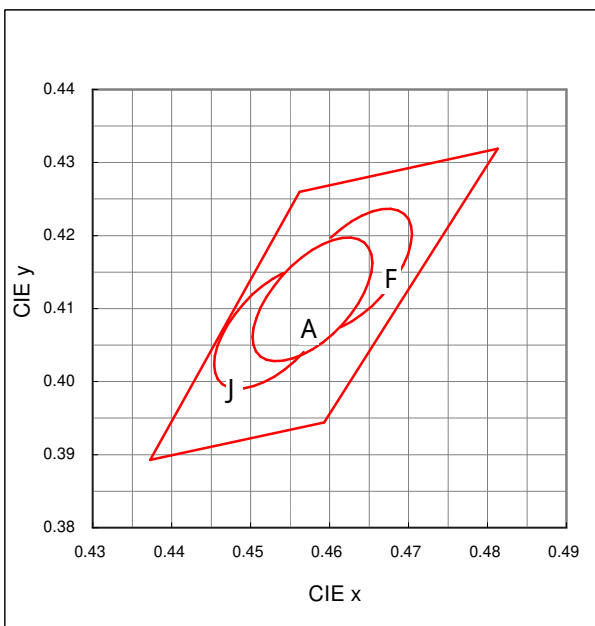
† K_a? b_k cijgnqc
‡qrcn

J @D40(43.. I	
v	w
,1.46	,1/11
,100/	,104/
,10.3	,126/
,1.06	,11.2

acl rcpnng r@,1/01*,1060'

: P_l ec ugfg /@_p<
v 8P† †, /3
w 8P† †, 0.
&; k_v+k g'

盱 J 9 05..I



Af pnk_rgagrw
anmpbgl_rcq Nngl r

? L QGA56,155(b)@_l b_@

05.. I +F	
v	w
,2406	,2/3.

05.. I +A	
v	w
,23563	,2/113

05.. I +J	
v	w
,2307	,2.51

† K_a? b_k cijgnqc
‡qrcn

J @D40(05.. I	
v	w
,2151	,1671
,2371	,1722
,26/1	,21/7
,2340	,204.

acl rcpnng r@,2356*,2/1.'

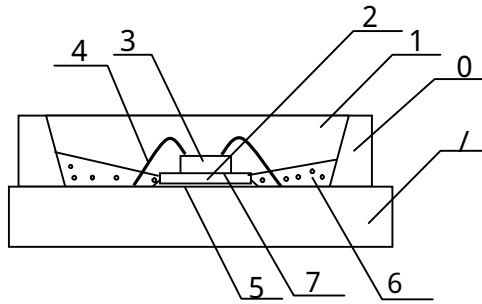
: P_l ec ugfg /@_p<
v 8P† †, /3
w 8P† †, 0.
&; k_v+k g'

Rfc npmsar rf_r gq jna_rcb gl rfc qos_pc ? cvacnr dmp rfc _pc_ nml rfc K_a?b_k cijgnqcq
gq rm `c bgqasqqcb dmp q_jcq,

† Anjnp p_li

anjnp p_li		2700K		
		L	C	H
6500K	1	L1	C1	H1
	2	L2	C2	H2

† , Qpsarspc

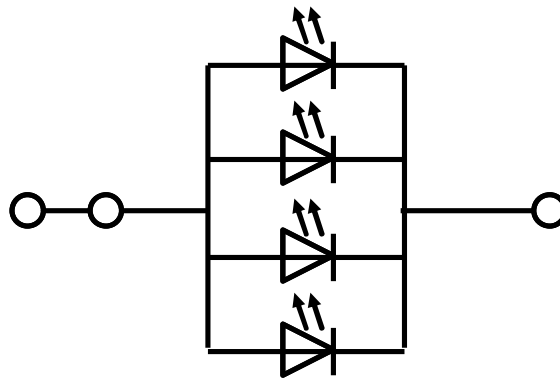


Lm	N_prq L_kc	K_rcpg_j
/	Qs`qrp_rc	ACK+1 Qs`qrp_rc
0	Ufgrc Pcqgl	Qj gamh c Pcqgl
1	Pcqgl	Qj gamh c Pcqgl
2	Qs`Knslr Qs`qrp_rc	Qg
3	J CB Bgc	Gl E_L mh Q nnf gpc
4	@mh bgl e Ugpc	?s
5	Bgc @mh b	?e
6	Ufgrc Pcqgl	Qj gamh c Pcqgl @RgM⊕
7	Bgc @mh b	Qj gamh c Pcqgl

† (f) Agpasgr Bg_ep_k

/ qcpj 2 n_p_jj cj

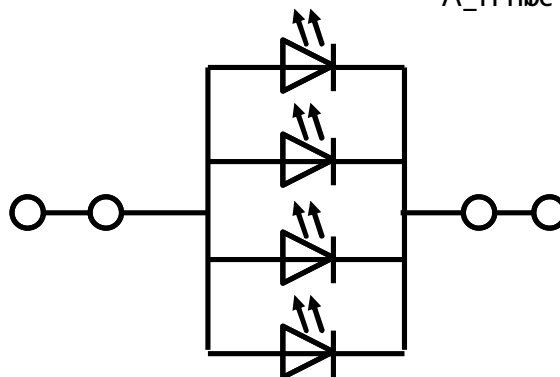
B(† - Π †)



?l nbc

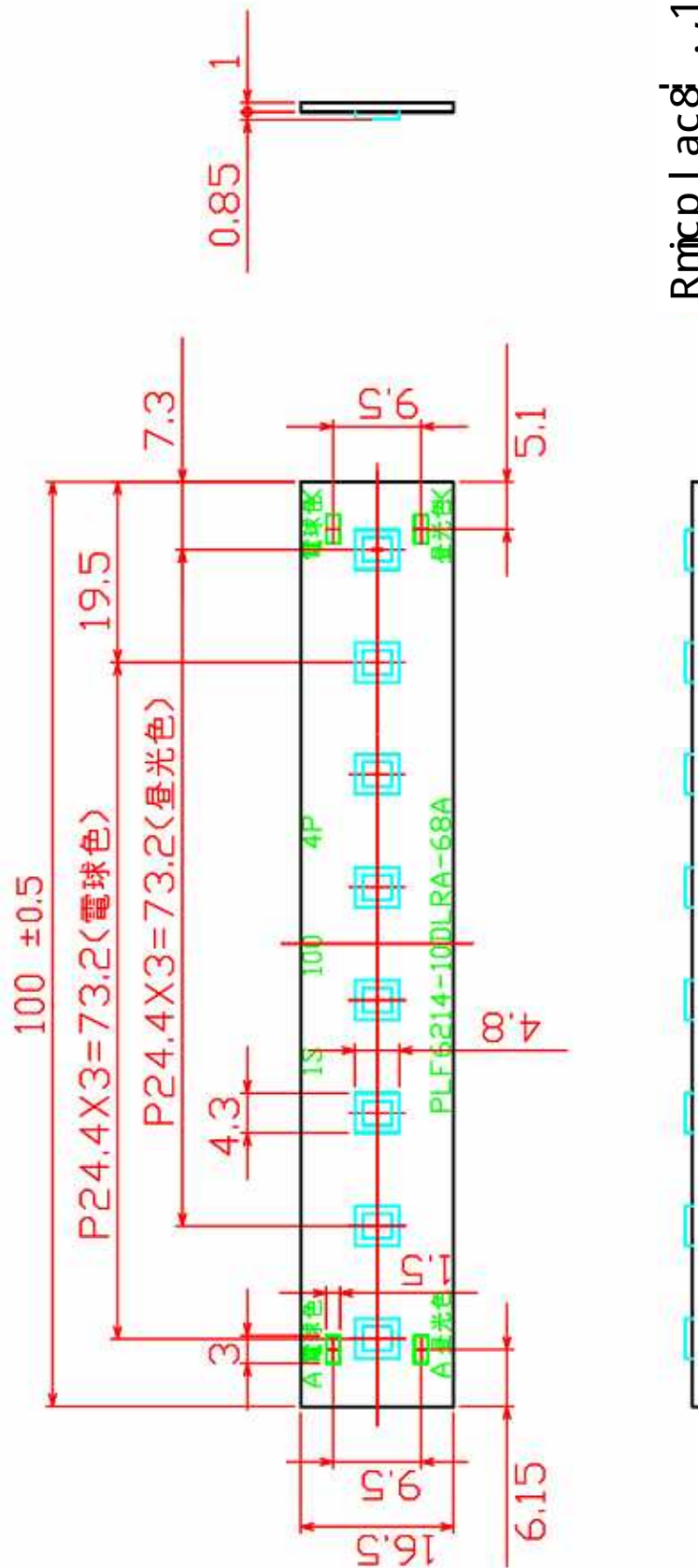
A_rf nbc

■(† - Π †)■



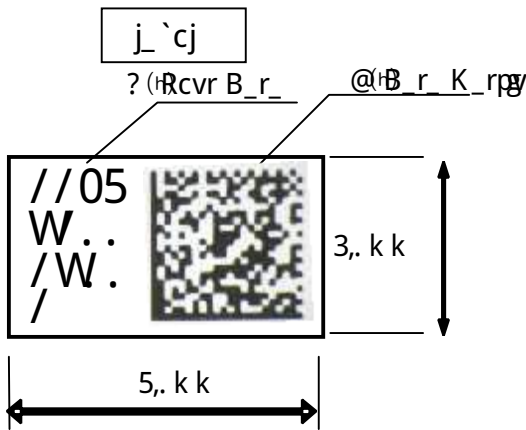
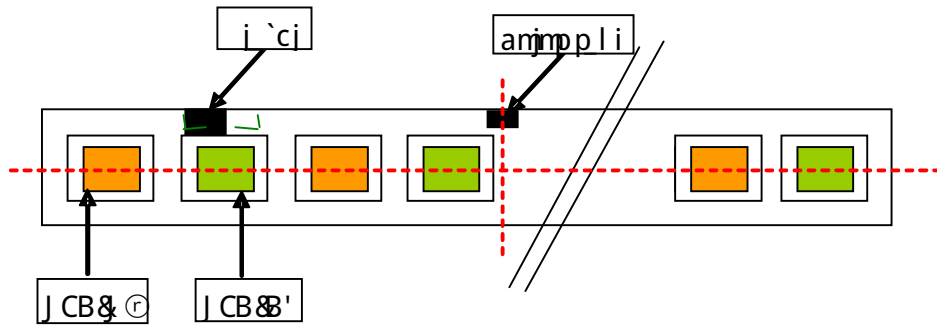
(f)Bgkcl qg

(Unit: mm)

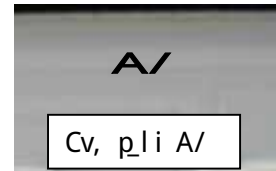


Rnjcp_l ac8 .,1

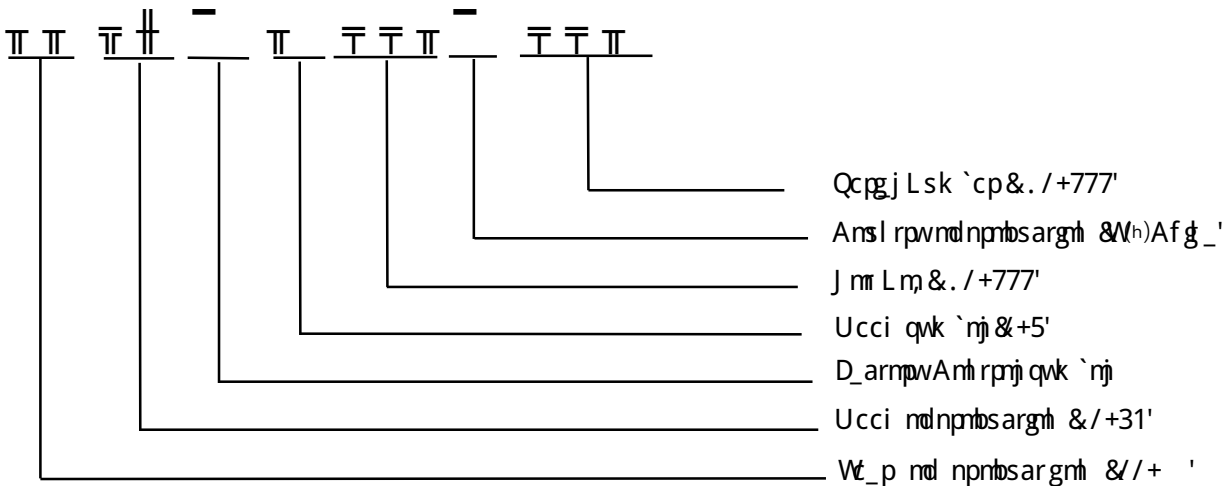
T T , Npmsar J _ `cj



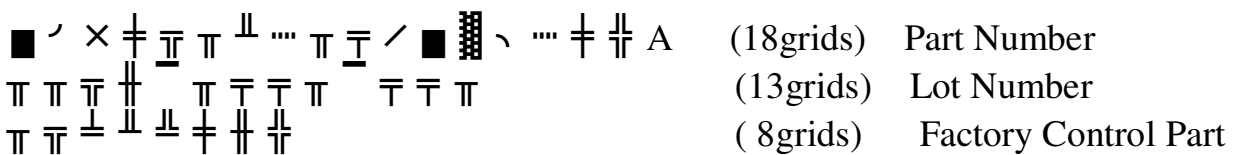
Anjpp li & /j 0A/ A0F/ F0'



[A] Text Data



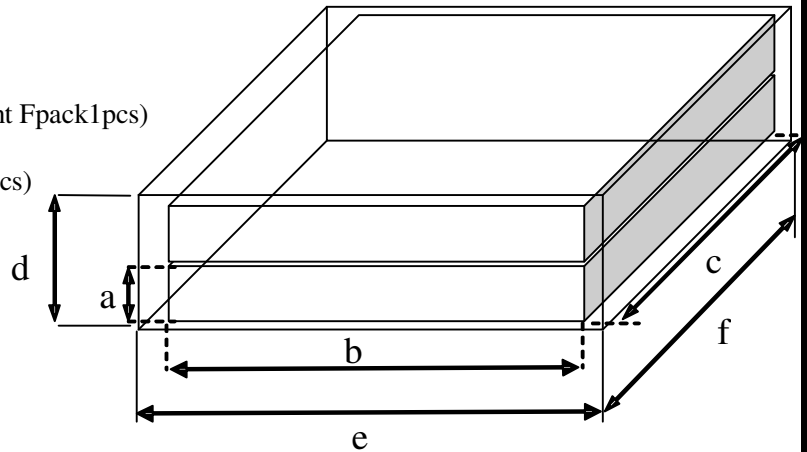
[B] Data Matrix



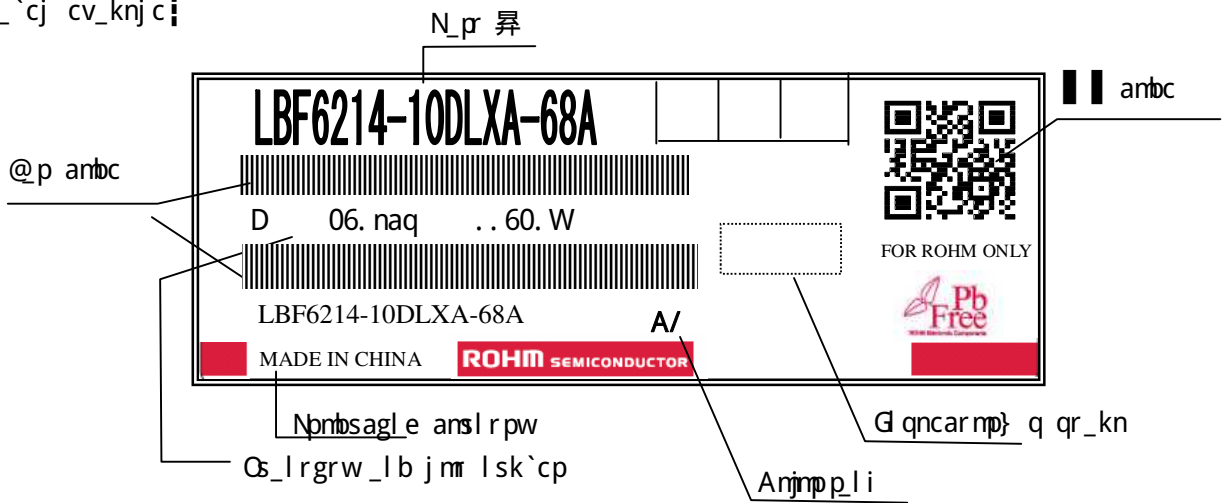
π τ (f) N_{ai} gl e

|| N_{ai} _ ec ||

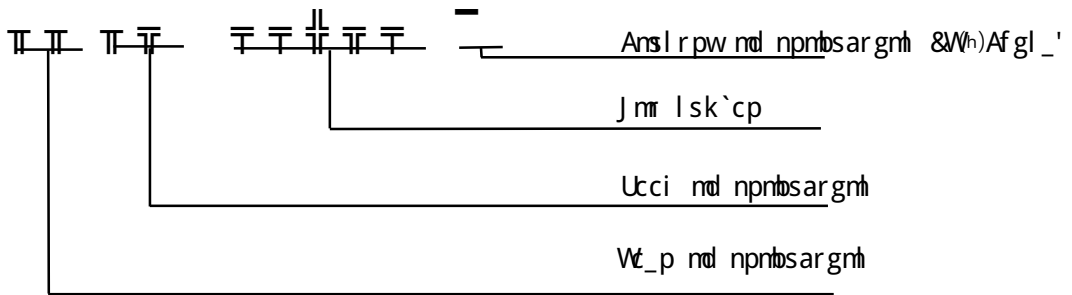
- (1) 28 Bars are on one film tray.
- (2) Inner package size (Fpack10pcs+vacant Fpack1pcs)
(a)60 x (b)300 x (c)343 (Unit: mm)
- (3) Outer package size(inner package || 2pcs)
(d)155 x (e)313 x (f)353 (Unit: mm)



|| J _ `cj cv_knj c ||



|| J m r l sk`cp cv_knj c ||



|| K_l sd_arspgl e d_armpw &ans l rpw n d mpgegl' ||

(g) PMFK QCKGAMLBSARMP AFGL? AM *J RB, © Af gl _ ①