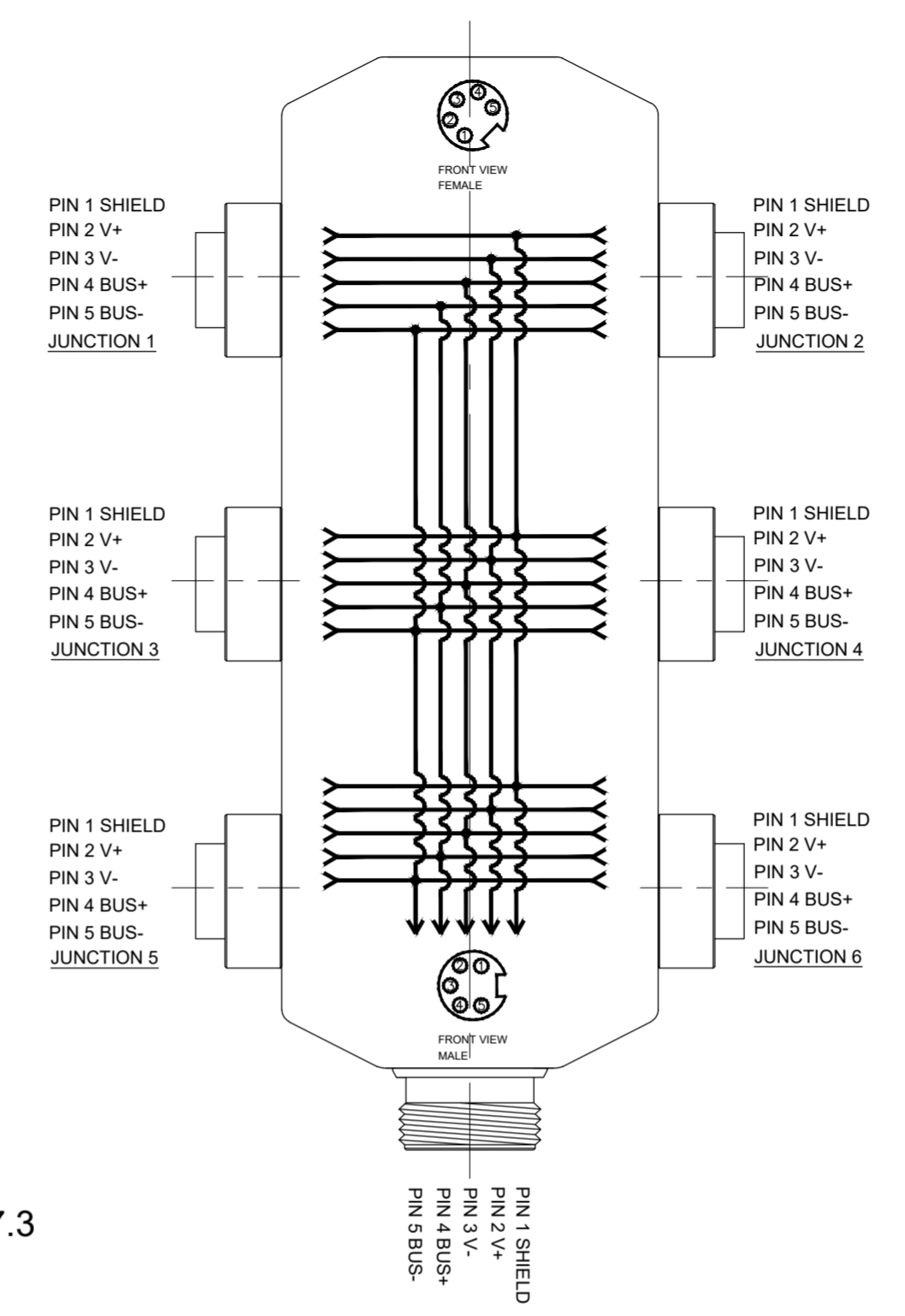
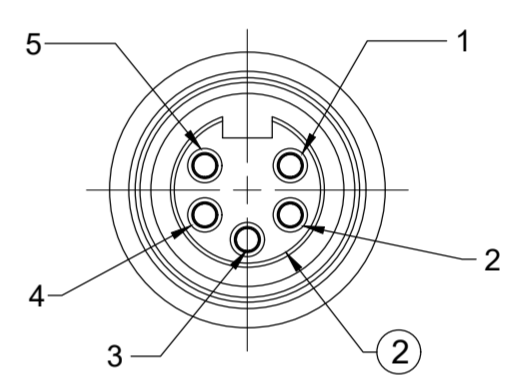
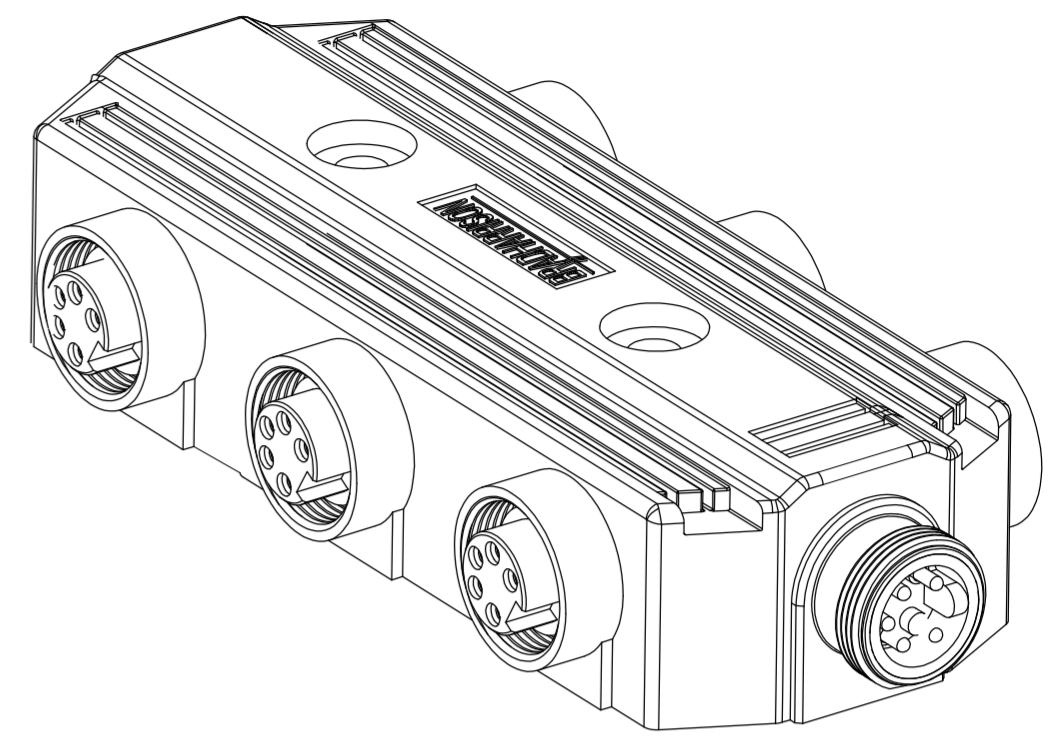


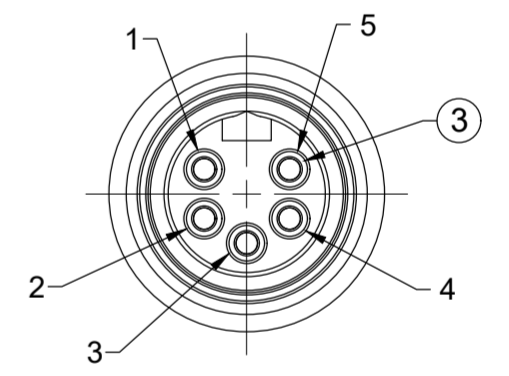
SCHEMATIC



MATERIAL NUMBER	ENGINEERING NUMBER
1300360008	DN6000



FEMALE FACE VIEW



MALE FACE VIEW

NOTES:

- MATERIAL: AS NOTED
- FINISH: AS NOTED
- ELECTRICAL:
VOLTAGE RATING: 120 VAC/VDC
CURRENT: 7A
- TEMP RATING: 0° TO +60°C
- PROTECTION: IP67 (WHEN MATED)
- COUPLING THREAD- AS NOTED
- UL LISTED FILE: E152210 (B)
CSA CERTIFIED FILE: LR6837
- ALL DIMENSIONS ARE FOR REFERENCE UNLESS TOLERANCED OR NOTED OTHERWISE

ITEM	COMPONENT	MATERIAL	FINISH
1	INSERT	TPE	GRAY
2	CONTACT SOCKET	COPPER ALLOY	GOLD OVER NICKEL
3	CONTACT PIN	COPPER ALLOY	GOLD OVER NICKEL
4	RECEPTACLE SHELL	ZINC DIE CAST	BLACK E-COATED
5	HOUSING	PBT	BLACK
6	LABEL	ABS	WHITE
	POTTING MATERIAL	EPOXY	BLACK

(B)

THIS DRAWING CONTAINS INFORMATION THAT IS PROPRIETARY TO MOLEX ELECTRONIC TECHNOLOGIES, LLC AND SHOULD NOT BE USED WITHOUT WRITTEN PERMISSION

FUNCTIONAL SYMBOLS	DIMENSION UNITS	SCALE	CURRENT REV DESC: ITEM#1 WAS PVC. ADDED UL FILE NO & CSA. ADDED DIMS
FA=0	INCH/MM	NTS	
FC=0	GENERAL TOLERANCES (UNLESS SPECIFIED)		
FP=0	mm	INCH	
DIVISIONAL SYMBOLS	4 PLACES	±----	EC NO: 645633
	3 PLACES	±----	DRWN: ABENJAMINLW 2020/09/09
	2 PLACES	±----	CHK'D: RSTONE 2020/09/29
	1 PLACE	±----	APPR: BWOODMAN 2020/10/23
	0 PLACES	±----	INITIAL REVISION:
	ANGULAR TOL ± --- °		DRWN: BWOODMAN 2009/07/06
	DRAFT WHERE APPLICABLE MUST REMAIN WITHIN DIMENSIONS	THIRD ANGLE PROJECTION	APPR: JFMURPHY 2009/07/20
		DRAWING	SERIES
		C-SIZE	130036
		MATERIAL NUMBER	CUSTOMER
		SEE CHART	GENERAL MARKET
		DOCUMENT NUMBER	DOC TYPE/DOC PART/REVISION
		SD-130036-002	PSD 001 B
		SHEET NUMBER	1 OF 1