

2Mbps Bluetooth® 5.0 low energy Module: EYLSNZWW

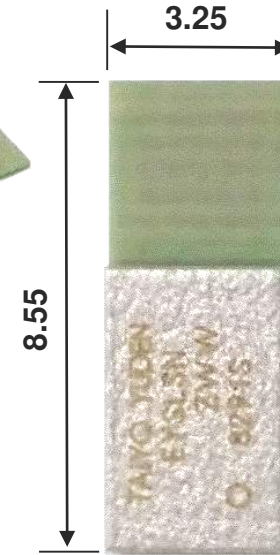
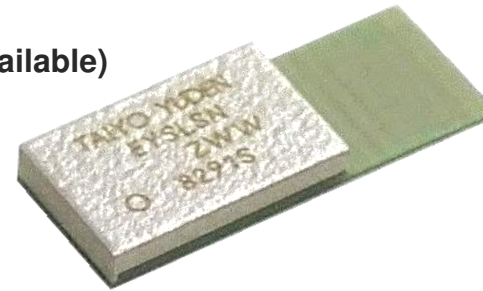
Features

- Frequency: 2402 to 2480 MHz with +4dBm Output power
- Single power supply: 1.7– 3.6V
- Single Mode Bluetooth low energy (ANT™ Available)
- Bluetooth 5.0 low energy 2Mbps mode
- Chip: nRF52810 (Nordic)
- Integrated System Clock
- ARM Cortex M4 32bit processor
- 192kB Flash and 24kB RAM
- Interface: SPI, UART, I2C, PDM and 12bit ADC
- Integrated high performance PCB antenna
- Outline: 3.25 x 8.55 x 1.00mm MAX
- Operating Temperature range: -40 to 85 deg-C
- Bluetooth and Japan, FCC, IC qualified
- ETSI EN 300 328 v2.1.1 Conducted Test Report Available
- RoHS compliant / Complete Lead Free

Applications

- Smart wristband
- Smart glasses
- Remote control ring
- Smart pen
- Heart rate monitor
- pressure monitor
- Blood glucose meter
- Thermometer
- Mobile accessories

Outline



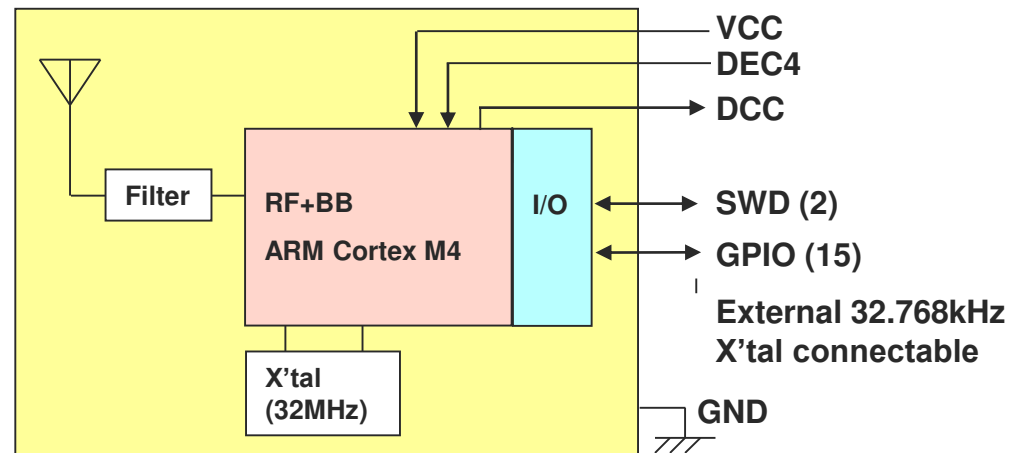
Top View



Bottom View

Unit: mm

Block Diagram



All specifications are subject to change without notice.

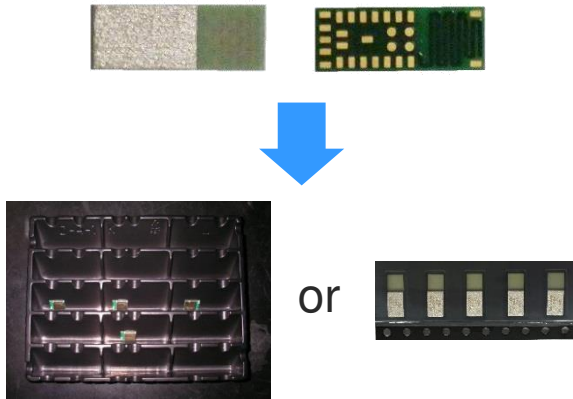
The Bluetooth® word mark and logos are owned by the Bluetooth SIG, Inc. and any use of such marks by TAIYO YUDEN CO., LTD. is under license.

TAIYO YUDEN

Bluetooth® low energy Module Sample, Evaluation Board / Kit

EYSLSNZWW (Module)

Module samples



Tray

Tape



EBSLSNZWW (EV-B)

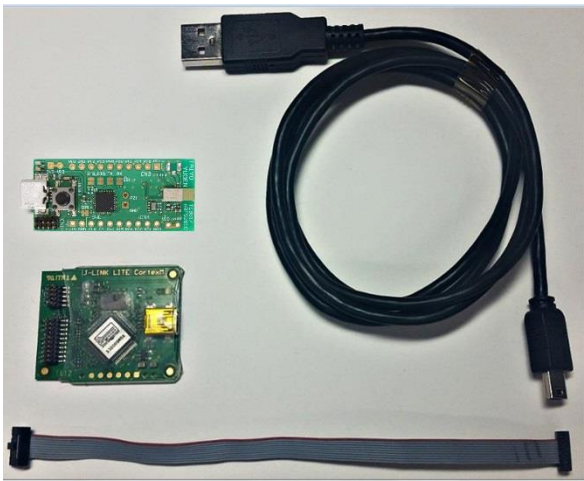
Evaluation board



TAIYO YUDEN

EKSLSNZWW (EV-K)

Evaluation kit



SEGGER
J-Link LITE
Attached