

To our customers,

---

## Old Company Name in Catalogs and Other Documents

---

On April 1<sup>st</sup>, 2010, NEC Electronics Corporation merged with Renesas Technology Corporation, and Renesas Electronics Corporation took over all the business of both companies. Therefore, although the old company name remains in this document, it is a valid Renesas Electronics document. We appreciate your understanding.

Renesas Electronics website: <http://www.renesas.com>

April 1<sup>st</sup>, 2010  
Renesas Electronics Corporation

Issued by: Renesas Electronics Corporation (<http://www.renesas.com>)

Send any inquiries to <http://www.renesas.com/inquiry>.

## Notice

1. All information included in this document is current as of the date this document is issued. Such information, however, is subject to change without any prior notice. Before purchasing or using any Renesas Electronics products listed herein, please confirm the latest product information with a Renesas Electronics sales office. Also, please pay regular and careful attention to additional and different information to be disclosed by Renesas Electronics such as that disclosed through our website.
2. Renesas Electronics does not assume any liability for infringement of patents, copyrights, or other intellectual property rights of third parties by or arising from the use of Renesas Electronics products or technical information described in this document. No license, express, implied or otherwise, is granted hereby under any patents, copyrights or other intellectual property rights of Renesas Electronics or others.
3. You should not alter, modify, copy, or otherwise misappropriate any Renesas Electronics product, whether in whole or in part.
4. Descriptions of circuits, software and other related information in this document are provided only to illustrate the operation of semiconductor products and application examples. You are fully responsible for the incorporation of these circuits, software, and information in the design of your equipment. Renesas Electronics assumes no responsibility for any losses incurred by you or third parties arising from the use of these circuits, software, or information.
5. When exporting the products or technology described in this document, you should comply with the applicable export control laws and regulations and follow the procedures required by such laws and regulations. You should not use Renesas Electronics products or the technology described in this document for any purpose relating to military applications or use by the military, including but not limited to the development of weapons of mass destruction. Renesas Electronics products and technology may not be used for or incorporated into any products or systems whose manufacture, use, or sale is prohibited under any applicable domestic or foreign laws or regulations.
6. Renesas Electronics has used reasonable care in preparing the information included in this document, but Renesas Electronics does not warrant that such information is error free. Renesas Electronics assumes no liability whatsoever for any damages incurred by you resulting from errors in or omissions from the information included herein.
7. Renesas Electronics products are classified according to the following three quality grades: "Standard", "High Quality", and "Specific". The recommended applications for each Renesas Electronics product depends on the product's quality grade, as indicated below. You must check the quality grade of each Renesas Electronics product before using it in a particular application. You may not use any Renesas Electronics product for any application categorized as "Specific" without the prior written consent of Renesas Electronics. Further, you may not use any Renesas Electronics product for any application for which it is not intended without the prior written consent of Renesas Electronics. Renesas Electronics shall not be in any way liable for any damages or losses incurred by you or third parties arising from the use of any Renesas Electronics product for an application categorized as "Specific" or for which the product is not intended where you have failed to obtain the prior written consent of Renesas Electronics. The quality grade of each Renesas Electronics product is "Standard" unless otherwise expressly specified in a Renesas Electronics data sheets or data books, etc.

"Standard": Computers; office equipment; communications equipment; test and measurement equipment; audio and visual equipment; home electronic appliances; machine tools; personal electronic equipment; and industrial robots.

"High Quality": Transportation equipment (automobiles, trains, ships, etc.); traffic control systems; anti-disaster systems; anti-crime systems; safety equipment; and medical equipment not specifically designed for life support.

"Specific": Aircraft; aerospace equipment; submersible repeaters; nuclear reactor control systems; medical equipment or systems for life support (e.g. artificial life support devices or systems), surgical implantations, or healthcare intervention (e.g. excision, etc.), and any other applications or purposes that pose a direct threat to human life.

8. You should use the Renesas Electronics products described in this document within the range specified by Renesas Electronics, especially with respect to the maximum rating, operating supply voltage range, movement power voltage range, heat radiation characteristics, installation and other product characteristics. Renesas Electronics shall have no liability for malfunctions or damages arising out of the use of Renesas Electronics products beyond such specified ranges.
9. Although Renesas Electronics endeavors to improve the quality and reliability of its products, semiconductor products have specific characteristics such as the occurrence of failure at a certain rate and malfunctions under certain use conditions. Further, Renesas Electronics products are not subject to radiation resistance design. Please be sure to implement safety measures to guard them against the possibility of physical injury, and injury or damage caused by fire in the event of the failure of a Renesas Electronics product, such as safety design for hardware and software including but not limited to redundancy, fire control and malfunction prevention, appropriate treatment for aging degradation or any other appropriate measures. Because the evaluation of microcomputer software alone is very difficult, please evaluate the safety of the final products or system manufactured by you.
10. Please contact a Renesas Electronics sales office for details as to environmental matters such as the environmental compatibility of each Renesas Electronics product. Please use Renesas Electronics products in compliance with all applicable laws and regulations that regulate the inclusion or use of controlled substances, including without limitation, the EU RoHS Directive. Renesas Electronics assumes no liability for damages or losses occurring as a result of your noncompliance with applicable laws and regulations.
11. This document may not be reproduced or duplicated, in any form, in whole or in part, without prior written consent of Renesas Electronics.
12. Please contact a Renesas Electronics sales office if you have any questions regarding the information contained in this document or Renesas Electronics products, or if you have any other inquiries.

(Note 1) "Renesas Electronics" as used in this document means Renesas Electronics Corporation and also includes its majority-owned subsidiaries.

(Note 2) "Renesas Electronics product(s)" means any product developed or manufactured by or for Renesas Electronics.

The revision list can be viewed directly by clicking the title page. The revision list summarizes the locations of revisions and additions. Details should always be checked by referring to the relevant text.

# H8S/2378, H8S/2378R Group

## Hardware Manual

Renesas 16-Bit Single-Chip Microcomputer  
H8S Family/H8S/2300 Series

|          |            |           |            |
|----------|------------|-----------|------------|
| H8S/2378 | HD64F2378B | H8S/2378R | HD64F2378R |
| H8S/2377 | HD64F2377  | H8S/2377R | HD64F2377R |
| H8S/2375 | HD6432375  | H8S/2375R | HD6432375R |
| H8S/2374 | HD64F2374  | H8S/2374R | HD64F2374R |
| H8S/2373 | HD6412373  | H8S/2373R | HD6412373R |
| H8S/2372 | HD64F2372  | H8S/2372R | HD64F2372R |
| H8S/2371 | HD64F2371  | H8S/2371R | HD64F2371R |
| H8S/2370 | HD64F2370  | H8S/2370R | HD64F2370R |

## Notes regarding these materials

1. This document is provided for reference purposes only so that Renesas customers may select the appropriate Renesas products for their use. Renesas neither makes warranties or representations with respect to the accuracy or completeness of the information contained in this document nor grants any license to any intellectual property rights or any other rights of Renesas or any third party with respect to the information in this document.
2. Renesas shall have no liability for damages or infringement of any intellectual property or other rights arising out of the use of any information in this document, including, but not limited to, product data, diagrams, charts, programs, algorithms, and application circuit examples.
3. You should not use the products or the technology described in this document for the purpose of military applications such as the development of weapons of mass destruction or for the purpose of any other military use. When exporting the products or technology described herein, you should follow the applicable export control laws and regulations, and procedures required by such laws and regulations.
4. All information included in this document such as product data, diagrams, charts, programs, algorithms, and application circuit examples, is current as of the date this document is issued. Such information, however, is subject to change without any prior notice. Before purchasing or using any Renesas products listed in this document, please confirm the latest product information with a Renesas sales office. Also, please pay regular and careful attention to additional and different information to be disclosed by Renesas such as that disclosed through our website. (<http://www.renesas.com>)
5. Renesas has used reasonable care in compiling the information included in this document, but Renesas assumes no liability whatsoever for any damages incurred as a result of errors or omissions in the information included in this document.
6. When using or otherwise relying on the information in this document, you should evaluate the information in light of the total system before deciding about the applicability of such information to the intended application. Renesas makes no representations, warranties or guarantees regarding the suitability of its products for any particular application and specifically disclaims any liability arising out of the application and use of the information in this document or Renesas products.
7. With the exception of products specified by Renesas as suitable for automobile applications, Renesas products are not designed, manufactured or tested for applications or otherwise in systems the failure or malfunction of which may cause a direct threat to human life or create a risk of human injury or which require especially high quality and reliability such as safety systems, or equipment or systems for transportation and traffic, healthcare, combustion control, aerospace and aeronautics, nuclear power, or undersea communication transmission. If you are considering the use of our products for such purposes, please contact a Renesas sales office beforehand. Renesas shall have no liability for damages arising out of the uses set forth above.
8. Notwithstanding the preceding paragraph, you should not use Renesas products for the purposes listed below:
  - (1) artificial life support devices or systems
  - (2) surgical implantations
  - (3) healthcare intervention (e.g., excision, administration of medication, etc.)
  - (4) any other purposes that pose a direct threat to human lifeRenesas shall have no liability for damages arising out of the uses set forth in the above and purchasers who elect to use Renesas products in any of the foregoing applications shall indemnify and hold harmless Renesas Technology Corp., its affiliated companies and their officers, directors, and employees against any and all damages arising out of such applications.
9. You should use the products described herein within the range specified by Renesas, especially with respect to the maximum rating, operating supply voltage range, movement power voltage range, heat radiation characteristics, installation and other product characteristics. Renesas shall have no liability for malfunctions or damages arising out of the use of Renesas products beyond such specified ranges.
10. Although Renesas endeavors to improve the quality and reliability of its products, IC products have specific characteristics such as the occurrence of failure at a certain rate and malfunctions under certain use conditions. Please be sure to implement safety measures to guard against the possibility of physical injury, and injury or damage caused by fire in the event of the failure of a Renesas product, such as safety design for hardware and software including but not limited to redundancy, fire control and malfunction prevention, appropriate treatment for aging degradation or any other applicable measures. Among others, since the evaluation of microcomputer software alone is very difficult, please evaluate the safety of the final products or system manufactured by you.
11. In case Renesas products listed in this document are detached from the products to which the Renesas products are attached or affixed, the risk of accident such as swallowing by infants and small children is very high. You should implement safety measures so that Renesas products may not be easily detached from your products. Renesas shall have no liability for damages arising out of such detachment.
12. This document may not be reproduced or duplicated, in any form, in whole or in part, without prior written approval from Renesas.
13. Please contact a Renesas sales office if you have any questions regarding the information contained in this document, Renesas semiconductor products, or if you have any other inquiries.



# General Precautions in the Handling of MPU/MCU Products

The following usage notes are applicable to all MPU/MCU products from Renesas. For detailed usage notes on the products covered by this manual, refer to the relevant sections of the manual. If the descriptions under General Precautions in the Handling of MPU/MCU Products and in the body of the manual differ from each other, the description in the body of the manual takes precedence.

## 1. Handling of Unused Pins

Handle unused pins in accord with the directions given under Handling of Unused Pins in the manual.

— The input pins of CMOS products are generally in the high-impedance state. In operation with an unused pin in the open-circuit state, extra electromagnetic noise is induced in the vicinity of LSI, an associated shoot-through current flows internally, and malfunctions may occur due to the false recognition of the pin state as an input signal. Unused pins should be handled as described under Handling of Unused Pins in the manual.

## 2. Processing at Power-on

The state of the product is undefined at the moment when power is supplied.

— The states of internal circuits in the LSI are indeterminate and the states of register settings and pins are undefined at the moment when power is supplied.

In a finished product where the reset signal is applied to the external reset pin, the states of pins are not guaranteed from the moment when power is supplied until the reset process is completed.

In a similar way, the states of pins in a product that is reset by an on-chip power-on reset function are not guaranteed from the moment when power is supplied until the power reaches the level at which resetting has been specified.

## 3. Prohibition of Access to Reserved Addresses

Access to reserved addresses is prohibited.

— The reserved addresses are provided for the possible future expansion of functions. Do not access these addresses; the correct operation of LSI is not guaranteed if they are accessed.

## 4. Clock Signals

After applying a reset, only release the reset line after the operating clock signal has become stable. When switching the clock signal during program execution, wait until the target clock signal has stabilized.

— When the clock signal is generated with an external resonator (or from an external oscillator) during a reset, ensure that the reset line is only released after full stabilization of the clock signal. Moreover, when switching to a clock signal produced with an external resonator (or by an external oscillator) while program execution is in progress, wait until the target clock signal is stable.

## 5. Differences between Products

Before changing from one product to another, i.e. to one with a different type number, confirm that the change will not lead to problems.

— The characteristics of MPU/MCU in the same group but having different type numbers may differ because of the differences in internal memory capacity and layout pattern. When changing to products of different type numbers, implement a system-evaluation test for each of the products.

# Configuration of This Manual

This manual comprises the following items:

1. General Precautions in the Handling of MPU/MCU Products
2. Configuration of This Manual
3. Preface
4. Main Revisions for This Edition (only for revised versions)

The list of revisions is a summary of points that have been revised or added to earlier versions. This does not include all of the revised contents. For details, see the actual locations in this manual.

5. Contents
6. Overview
7. Description of Functional Modules
  - CPU and System-Control Modules
  - On-Chip Peripheral Modules

The configuration of the functional description of each module differs according to the module. However, the generic style includes the following items:

- i) Feature
- ii) Input/Output Pin
- iii) Register Description
- iv) Operation
- v) Usage Note

When designing an application system that includes this LSI, take notes into account. Each section includes notes in relation to the descriptions given, and usage notes are given, as required, as the final part of each section.

8. List of Registers
9. Electrical Characteristics
10. Appendix
11. Index

# Preface

The H8S/2378 Group and H8S/2378R Group microcomputers (MCU) made up of the H8S/2000 CPU employing Renesas Technology original architecture as their cores, and the peripheral functions required to configure a system.

The H8S/2000 CPU has an internal 32-bit configuration, sixteen 16-bit general registers, and a simple and optimized instruction set for high-speed operation. The H8S/2000 CPU can handle a 16-Mbyte linear address space.

This LSI is equipped with direct memory access controller (DMAC and EXDMAC) and data transfer controller (DTC) bus masters, ROM and RAM, a 16-bit timer pulse unit (TPU), a programmable pulse generator (PPG), an 8-bit timer (TMR), a watchdog timer (WDT), a serial communication interface (SCI and IrDA), a 10-bit A/D converter, an 8-bit D/A converter, and I/O ports as on-chip peripheral modules required for system configuration. I<sup>2</sup>C bus interface 2 (IIC2) can also be included as an optional interface.

A high functionality bus controller is also provided, enabling fast and easy connection of DRAM and other kinds of memory.

A single-power flash memory (F-ZTAT<sup>TM\*</sup>) version is available for this LSI's ROM. The F-ZTAT version provides flexibility as it can be reprogrammed in no time to cope with all situations from the early stages of mass production to full-scale mass production. This is particularly applicable to application devices with specifications that will most probably change.

This manual describes this LSI's hardware.

Note: \* F-ZTAT is a trademark of Renesas Technology Corp.

**Target Users:** This manual was written for users who will be using this LSI in the design of application systems. Target users are expected to understand the fundamentals of electrical circuits, logical circuits, and microcomputers.

**Objective:** This manual was written to explain the hardware functions and electrical characteristics of this LSI to the target users.  
Refer to the H8S/2600 Series, H8S/2000 Series Software Manual for a detailed description of the instruction set.

Notes on reading this manual:

In order to understand the overall functions of the chip

Read the manual according to the contents. This manual can be roughly categorized into parts on the CPU, system control functions, peripheral functions and electrical characteristics.

In order to understand the details of the CPU's functions

Read the H8S/2600 Series, H8S/2000 Series Software Manual.

For the execution state of each instruction in this LSI, see Appendix D, Bus State during Execution of Instructions.

In order to understand the details of a register when its name is known

Read the index that is the final part of the manual to find the page number of the entry on the register. The addresses, bits, and initial values of the registers are summarized in section 25, List of Registers.

Examples: Register name: The following notation is used for cases when the same or a similar function, e.g. 16-bit timer pulse unit or serial communication, is implemented on more than one channel: XXX\_N (XXX is the register name and N is the channel number)

Bit order: The MSB is on the left and the LSB is on the right.

Number notation: Binary is B'xxxx, hexadecimal is H'xxxx, decimal is xxxx.

Signal notation: An overbar is added to a low-active signal:  $\overline{\text{xxxx}}$

Related Manuals: The latest versions of all related manuals are available from our web site. Please ensure you have the latest versions of all documents you require.  
<http://www.renesas.com/>

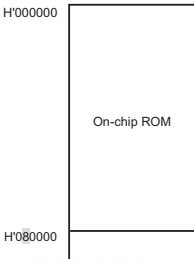
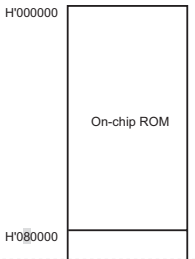
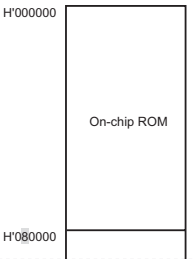
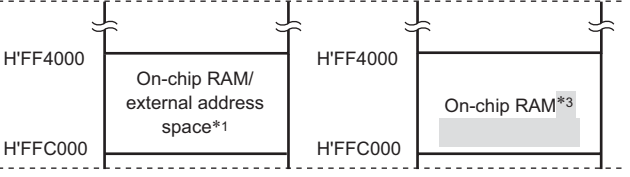
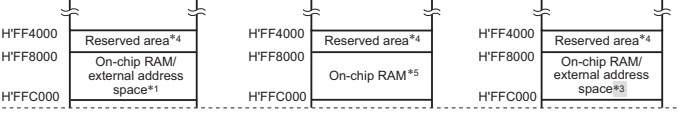
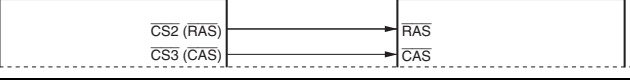
H8S/2378 Group and H8S/2378R Group Manuals:

| <b>Document Title</b>                            | <b>Document No.</b> |
|--|---------------------|
| H8S/2378 Group, H8S/2378R Group Hardware Manual  | This manual         |
| H8S/2600 Series, H8S/2000 Series Software Manual | REJ09B0139          |

User's Manuals for Development Tools:

| <b>Document Title</b>   | <b>Document No.</b> |
|---|---------------------|
| H8S, H8/300 Series C/C++ Compiler, Assembler, Optimizing Linkage Editor Compiler Package V.6.01 User's Manual | REJ10B0161          |
| H8S, H8/300 Series Simulator/Debugger User's Manual   | REJ10B0211          |
| H8S, H8/300 Series High-performance Embedded Workshop, High-performance Debugging Interface V.3 Tutorial      | REJ10B0024          |
| High-performance Embedded Workshop V.4.04 User's Manual   | REJ10J1737          |

# Main Revisions for This Edition

| Item  | Page      | Revision (See Manual for Details)   |      |           |                   |      |
|---|-----------|---|------|-----------|-------------------|------|
| 3.4 Memory Map in Each Operating Mode<br>Figure 3.2 Memory Map for H8S/2378 and H8S/2378R (2) | 79        | Figure amended<br><br><div style="display: flex; justify-content: space-around; align-items: flex-start;"> <div style="text-align: center;"> <p>ROM: 512 kbytes<br/>RAM: 32 kbytes<br/>Mode 4<br/>(Expanded mode with on-chip ROM enabled)</p>  </div> <div style="text-align: center;"> <p>ROM: 512 kbytes<br/>RAM: 32 kbytes<br/>Mode 5<br/>(User boot mode)</p>  </div> <div style="text-align: center;"> <p>ROM: 512 kbytes<br/>RAM: 32 kbytes<br/>Mode 7<br/>(Single-chip activation expanded mode, with on-chip ROM enabled)</p>  </div> </div> |      |           |                   |      |
| Figure 3.7 Memory Map for H8S/2374 and H8S/2374R (1)  | 84        | Figure amended<br><br>  |      |           |                   |      |
| Figure 3.15 Memory Map for H8S/2370 and H8S/2370R (2)   | 92        | Figure amended<br><br>   |      |           |                   |      |
| 6.7.11 Byte Access Control<br>Figure 6.51 Example of DQMU and DQML Byte Control               | 230       | Figure amended<br><br><div style="display: flex; justify-content: space-between; align-items: flex-start;"> <div style="text-align: center;"> <p>This LSI<br/>(Address shift size set to 8 bits)</p>  </div> <div style="text-align: center;"> <p>64-Mbit synchronous DRAM<br/>1 Mword × 16 bits × 4-bank configuration<br/>8-bit column address</p> </div> </div>  |      |           |                   |      |
| 6.9.2 Pin States in Idle Cycle<br>Table 6.12 Pin States in Idle Cycle                         | 268       | Table amended<br><br><table border="1" style="width: 100%; border-collapse: collapse;"> <thead> <tr> <th style="text-align: left;">Pins</th> <th style="text-align: left;">Pin State</th> </tr> </thead> <tbody> <tr> <td>EDACKn (n = 3, 2)</td> <td>High</td> </tr> </tbody> </table>  | Pins | Pin State | EDACKn (n = 3, 2) | High |
| Pins  | Pin State |   |      |           |                   |      |
| EDACKn (n = 3, 2)   | High      |   |      |           |                   |      |
| 7.3.7 DMA Terminal Control Register (DMATCR)  | 306       | Description amended<br><br>... The <b>TEND</b> pin is available only for channel B in short address mode.   |      |           |                   |      |

| Item   | Page     | Revision (See Manual for Details)  |     |  |               |     |             |    |      |   |     |                                 |    |      |   |     |  |
|--|----------|--|-----|--|---------------|-----|-------------|----|------|---|-----|---------------------------------|----|------|---|-----|--|
| Section 8 EXDMA Controller (EXDMAC)          | 359      | Description amended<br>... The EXDMAC can carry out high-speed data transfer, in place of the CPU, to and from external devices and external memory with a <b>DACK</b> (DMA transfer notification) facility.   |     |  |               |     |             |    |      |   |     |                                 |    |      |   |     |  |
| 8.3.5 EXDMA Address Control Register (EDACR) | 370      | Table amended <table border="1"> <thead> <tr> <th>Bit</th> <th>Bit Name</th> <th>Initial Value</th> <th>R/W</th> <th>Description</th> </tr> </thead> <tbody> <tr> <td>15</td> <td>SAT1</td> <td>0</td> <td>R/W</td> <td>Source Address Update Mode</td> </tr> <tr> <td>14</td> <td>SAT0</td> <td>0</td> <td>R/W</td> <td>These bits specify incrementing/decrementing of the transfer source address (EDSAR). When an external device with <b>DACK</b> is designated as the transfer source in single address mode, the specification by these bits is ignored.<br/>0x: Fixed<br/>10: Incremented (+1 in byte transfer, +2 in word transfer)<br/>11: Decrementd (-1 in byte transfer, -2 in word transfer)</td> </tr> </tbody> </table>              | Bit | Bit Name   | Initial Value | R/W | Description | 15 | SAT1 | 0 | R/W | Source Address Update Mode      | 14 | SAT0 | 0 | R/W | These bits specify incrementing/decrementing of the transfer source address (EDSAR). When an external device with <b>DACK</b> is designated as the transfer source in single address mode, the specification by these bits is ignored.<br>0x: Fixed<br>10: Incremented (+1 in byte transfer, +2 in word transfer)<br>11: Decrementd (-1 in byte transfer, -2 in word transfer)           |
| Bit  | Bit Name | Initial Value  | R/W | Description  |               |     |             |    |      |   |     |                                 |    |      |   |     |  |
| 15   | SAT1     | 0  | R/W | Source Address Update Mode   |               |     |             |    |      |   |     |                                 |    |      |   |     |  |
| 14   | SAT0     | 0  | R/W | These bits specify incrementing/decrementing of the transfer source address (EDSAR). When an external device with <b>DACK</b> is designated as the transfer source in single address mode, the specification by these bits is ignored.<br>0x: Fixed<br>10: Incremented (+1 in byte transfer, +2 in word transfer)<br>11: Decrementd (-1 in byte transfer, -2 in word transfer)           |               |     |             |    |      |   |     |                                 |    |      |   |     |  |
|  | 372      | Table amended <table border="1"> <thead> <tr> <th>Bit</th> <th>Bit Name</th> <th>Initial Value</th> <th>R/W</th> <th>Description</th> </tr> </thead> <tbody> <tr> <td>7</td> <td>DAT1</td> <td>0</td> <td>R/W</td> <td>Destination Address Update Mode</td> </tr> <tr> <td>6</td> <td>DAT0</td> <td>0</td> <td>R/W</td> <td>These bits specify incrementing/decrementing of the transfer destination address (EDDAR). When an external device with <b>DACK</b> is designated as the transfer destination in single address mode, the specification by these bits is ignored.<br/>0x: Fixed<br/>10: Incremented (+1 in byte transfer, +2 in word transfer)<br/>11: Decrementd (-1 in byte transfer, -2 in word transfer)</td> </tr> </tbody> </table> | Bit | Bit Name   | Initial Value | R/W | Description | 7  | DAT1 | 0 | R/W | Destination Address Update Mode | 6  | DAT0 | 0 | R/W | These bits specify incrementing/decrementing of the transfer destination address (EDDAR). When an external device with <b>DACK</b> is designated as the transfer destination in single address mode, the specification by these bits is ignored.<br>0x: Fixed<br>10: Incremented (+1 in byte transfer, +2 in word transfer)<br>11: Decrementd (-1 in byte transfer, -2 in word transfer) |
| Bit  | Bit Name | Initial Value  | R/W | Description  |               |     |             |    |      |   |     |                                 |    |      |   |     |  |
| 7  | DAT1     | 0  | R/W | Destination Address Update Mode  |               |     |             |    |      |   |     |                                 |    |      |   |     |  |
| 6  | DAT0     | 0  | R/W | These bits specify incrementing/decrementing of the transfer destination address (EDDAR). When an external device with <b>DACK</b> is designated as the transfer destination in single address mode, the specification by these bits is ignored.<br>0x: Fixed<br>10: Incremented (+1 in byte transfer, +2 in word transfer)<br>11: Decrementd (-1 in byte transfer, -2 in word transfer) |               |     |             |    |      |   |     |                                 |    |      |   |     |  |
| 8.4.2 Address Modes Single Address Mode:     | 376      | Description amended<br>... In the example of transfer between external memory and an external device with <b>DACK</b> shown in figure 8.3, data is output to the data bus by the external device and written to external memory in the same bus cycle.<br><br>The transfer direction, that is whether the external device with <b>DACK</b> is the transfer source or transfer destination, can be specified with the SDIR bit in EDMDR. Transfer is performed from the external memory (EDSAR) to the external device with <b>DACK</b> when SDIR = 0, and from the external device with <b>DACK</b> to the external memory (EDDAR) when SDIR = 1.  |     |  |               |     |             |    |      |   |     |                                 |    |      |   |     |  |

8.4.2 Address Modes 377 Figure amended

Figure 8.3 Data Flow in Single Address Mode

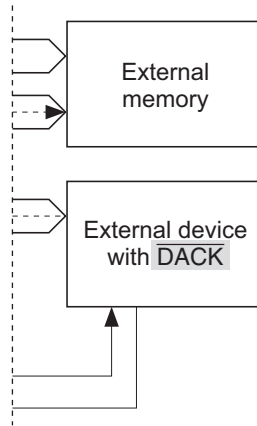
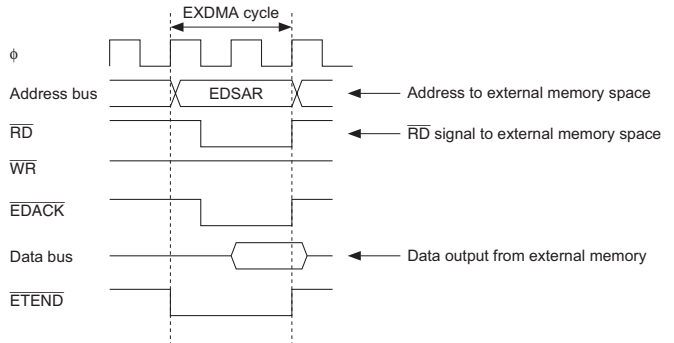


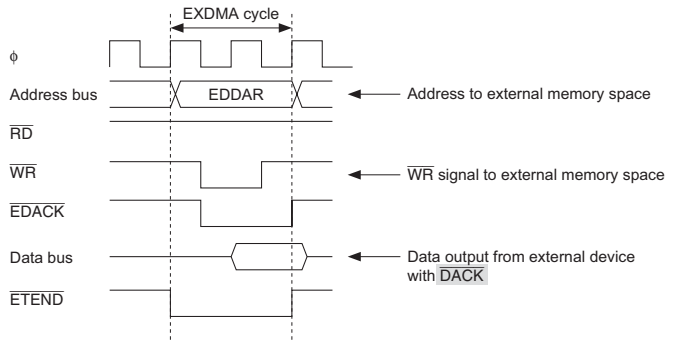
Figure 8.4 Example of Timing in Single Address Mode

378 Figure amended

Transfer from external memory to external device with DACK



Transfer from external device with DACK to external memory



**Item**                      **Page**      **Revision (See Manual for Details)**

9.8.5 Chain Transfer      453      Description amended

... SCI and      A/D converter interrupt/activation sources, on the other hand, are cleared when the DTC reads or writes to the prescribed register.

10.1.4 Pin Functions      471      Table amended

- P10/PO8/TIOCA0

|                        |                    |                    |            |            |
|------------------------|--------------------|--------------------|------------|------------|
| TPU channel 0 settings | (1) in table below | (2) in table below |            |            |
| Pin function           | TIOCA0 output      | P10 input          | P10 output | PO8 output |
| TIOCA0 input*1         |                    |                    |            |            |

10.9.7 Pin Functions      511      Table amended

- PA7/A23/IRQ7,  
PA6/A22/IRQ6,  
PA5/A21/IRQ5

|                                   |                       |                        |                       |                |                       |                        |       |                        |                       |                |
|-----------------------------------|-----------------------|------------------------|-----------------------|----------------|-----------------------|------------------------|-------|------------------------|-----------------------|----------------|
| Pin function                      | PA <sub>n</sub> input | PA <sub>n</sub> output | PA <sub>n</sub> input | Address output | PA <sub>n</sub> input | PA <sub>n</sub> output | input | PA <sub>n</sub> output | PA <sub>n</sub> input | Address output |
| IRQ <sub>n</sub> interrupt input* |                       |                        |                       |                |                       |                        |       |                        |                       |                |

• PA4/A20/IRQ4                      511      Table amended

|                       |                |           |            |           |                |           |            |           |            |           |                |
|-----------------------|----------------|-----------|------------|-----------|----------------|-----------|------------|-----------|------------|-----------|----------------|
| Operating mode        | 1, 2           | 4         |            |           |                | 7         |            |           |            |           |                |
| Pin function          | Address output | PA4 input | PA4 output | PA4 input | Address output | PA4 input | PA4 output | PA4 input | PA4 output | PA4 input | Address output |
| IRQ4 interrupt input* |                |           |            |           |                |           |            |           |            |           |                |

• PA3/A19, PA2/A18,  
PA1/A17, PA20/A16                      512      Table amended

|              |                |                       |                        |                       |                |                       |                        |                       |                        |                       |                |
|--------------|----------------|-----------------------|------------------------|-----------------------|----------------|-----------------------|------------------------|-----------------------|------------------------|-----------------------|----------------|
| Pin function | Address output | PA <sub>n</sub> input | PA <sub>n</sub> output | PA <sub>n</sub> input | Address output | PA <sub>n</sub> input | PA <sub>n</sub> output | PA <sub>n</sub> input | PA <sub>n</sub> output | PA <sub>n</sub> input | Address output |
|--------------|----------------|-----------------------|------------------------|-----------------------|----------------|-----------------------|------------------------|-----------------------|------------------------|-----------------------|----------------|

10.10.5 Pin Functions      515      Table amended

|                     |                |                       |                |                       |                        |                       |                |
|---------------------|----------------|-----------------------|----------------|-----------------------|------------------------|-----------------------|----------------|
| PB <sub>n</sub> DDR | —              | 0                     | 1              | 0                     | 1                      | 0                     | 1              |
| Pin function        | Address output | PB <sub>n</sub> input | Address output | PB <sub>n</sub> input | PB <sub>n</sub> output | PB <sub>n</sub> input | Address output |

Legend added  
Legend: n = 7 to 0

10.11.5 Pin Functions      519      Table amended

|                     |                |                       |                |                       |                        |                       |                |
|---------------------|----------------|-----------------------|----------------|-----------------------|------------------------|-----------------------|----------------|
| PC <sub>n</sub> DDR | —              | 0                     | 1              | 0                     | 1                      | 0                     | 1              |
| Pin function        | Address output | PC <sub>n</sub> input | Address output | PC <sub>n</sub> input | PC <sub>n</sub> output | PC <sub>n</sub> input | Address output |



**Item**                      **Page**      **Revision (See Manual for Details)**

10.12.5 Pin Functions    523      Table amended

|              |          |           |            |          |
|--------------|----------|-----------|------------|----------|
| PDnDDR       | —        | 0         | 1          | —        |
| Pin function | Data I/O | PDn input | PDn output | Data I/O |

Legend added

Legend: n = 7 to 0

10.13.5 Pin Functions    527      Table amended

|                     |                       |                        |          |                       |                        |                       |                        |          |
|---------------------|-----------------------|------------------------|----------|-----------------------|------------------------|-----------------------|------------------------|----------|
| PE <sub>n</sub> DDR | 0                     | 1                      | —        | 0                     | 1                      | 0                     | 1                      | —        |
| Pin function        | PE <sub>n</sub> input | PE <sub>n</sub> output | Data I/O | PE <sub>n</sub> input | PE <sub>n</sub> output | PE <sub>n</sub> input | PE <sub>n</sub> output | Data I/O |

Legend added

Legend: n = 7 to 0

10.14.4 Pin Functions    531      Table amended

• PF7/φ

|        |   |   |
|--------|---|---|
| PF7DDR | 0 | 1 |
|--------|---|---|

10.16.1 Port H Data      541      Table amended

Direction Register  
(PHDDR)

| Bit | Bit Name | Initial Value | R/W | Description   |
|-----|----------|---------------|-----|---|
| 3   | PH3DDR   | 0             | W   | • Mode 7 (when EXPE = 0)  |
| 2   | PH2DDR   | 0             | W   | Pins PH3 to PH0 are I/O ports, and their functions can be switched with PHDDR.  |
| 1   | PH1DDR   | 0             | W   | Pin PH1 functions as the SDRAM <sup>®</sup> output pin when the input level of the DCTL pin <sup>®</sup> is high. When the input level of the DCTL pin <sup>®</sup> is low, pin PH1 is an I/O port and its function can be switched with PHDDR. |
| 0   | PH0DDR   | 0             | W   |   |

15.3.7 Serial Status      705      Note amended

Register (SSR)  
Normal Serial  
Communication  
Interface Mode (When  
SMIF in SCMR is 0)

Note: \* Only 0 can be written, to clear the flag. Alternately, use the bit clear instruction to clear the flag.

Smart Card Interface    709      Note amended

Mode (When SMIF in  
SCMR is 1)

Note: 1. Only 0 can be written, to clear the flag. Alternately, use the bit clear instruction to clear the flag.  
2. Elementary time unit (etu): Transfer duration for one bit

15.3.9 Bit Rate Register (BRR) 712 Table amended

Table 15.3 BRR Settings for Various Bit Rates (Asynchronous Mode)

| Bit Rate (bit/s) | Operating Frequency $\phi$ (MHz) |    |           |        |    |           |    |    |           |    |    |           |
|------------------|----------------------------------|----|-----------|--------|----|-----------|----|----|-----------|----|----|-----------|
|                  | 8                                |    |           | 9.8304 |    |           | 10 |    |           | 12 |    |           |
|                  | n                                | N  | Error (%) | n      | N  | Error (%) | n  | N  | Error (%) | n  | N  | Error (%) |
| 9600             | 0                                | 25 | 0.16      | 0      | 31 | 0.00      | 0  | 32 | -1.36     | 0  | 38 | 0.16      |
| 19200            | 0                                | 12 | 0.16      | 0      | 15 | 0.00      | 0  | 15 | 1.73      | 0  | 19 | -2.34     |
| 31250            | 0                                | 7  | 0.00      | 0      | 9  | -1.70     | 0  | 9  | 0.00      | 0  | 11 | 0.00      |
| 38400            | —                                | —  | —         | 0      | 7  | 0.00      | 0  | 7  | 1.73      | 0  | 9  | -2.34     |

| Bit Rate (bit/s) | Operating Frequency $\phi$ (MHz) |    |           |    |    |           |         |    |           |    |    |           |
|------------------|----------------------------------|----|-----------|----|----|-----------|---------|----|-----------|----|----|-----------|
|                  | 12.288                           |    |           | 14 |    |           | 14.7456 |    |           | 16 |    |           |
|                  | n                                | N  | Error (%) | n  | N  | Error (%) | n       | N  | Error (%) | n  | N  | Error (%) |
| 9600             | 0                                | 39 | 0.00      | 0  | 45 | -0.93     | 0       | 47 | 0.00      | 0  | 51 | 0.16      |
| 19200            | 0                                | 19 | 0.00      | 0  | 22 | -0.93     | 0       | 23 | 0.00      | 0  | 25 | 0.16      |
| 31250            | 0                                | 11 | 2.40      | 0  | 13 | 0.00      | 0       | 14 | -1.70     | 0  | 15 | 0.00      |
| 38400            | 0                                | 9  | 0.00      | —  | —  | —         | 0       | 11 | 0.00      | 0  | 12 | 0.16      |

713 Table amended

| Bit Rate (bit/s) | Operating Frequency $\phi$ (MHz) |    |           |    |    |           |         |    |           |    |    |           |
|------------------|----------------------------------|----|-----------|----|----|-----------|---------|----|-----------|----|----|-----------|
|                  | 17.2032                          |    |           | 18 |    |           | 19.6608 |    |           | 20 |    |           |
|                  | n                                | N  | Error (%) | n  | N  | Error (%) | n       | N  | Error (%) | n  | N  | Error (%) |
| 19200            | 0                                | 27 | 0.00      | 0  | 28 | 1.02      | 0       | 31 | 0.00      | 0  | 32 | -1.36     |
| 31250            | 0                                | 16 | 1.20      | 0  | 17 | 0.00      | 0       | 19 | -1.70     | 0  | 19 | 0.00      |
| 38400            | 0                                | 13 | 0.00      | 0  | 14 | -2.34     | 0       | 15 | 0.00      | 0  | 15 | 1.73      |

713 Table amended

| Bit Rate (bit/s) | Operating Frequency $\phi$ (MHz) |    |           |    |    |           |    |    |           |                  |    |           |
|------------------|----------------------------------|----|-----------|----|----|-----------|----|----|-----------|------------------|----|-----------|
|                  | 25                               |    |           | 30 |    |           | 33 |    |           | 34 <sup>*1</sup> |    |           |
|                  | n                                | N  | Error (%) | n  | N  | Error (%) | n  | N  | Error (%) | n                | N  | Error (%) |
| 19200            | 0                                | 40 | -0.76     | 0  | 48 | -0.35     | 0  | 53 | -0.54     | 0                | 54 | 0.62      |
| 31250            | 0                                | 24 | 0.00      | 0  | 29 | 0.00      | 0  | 32 | 0.00      | 0                | 33 | 0.00      |
| 38400            | 0                                | 19 | 1.73      | 0  | 23 | 1.73      | 0  | 26 | -0.54     | 0                | 27 | -1.18     |

714 Table amended

| Bit Rate (bit/s) | Operating Frequency $\phi$ (MHz) |    |           |
|------------------|----------------------------------|----|-----------|
|                  | 35 <sup>*2</sup>                 |    |           |
|                  | n                                | N  | Error (%) |
| 38400            | 0                                | 27 | 1.73      |

| Item  | Page | Revision (See Manual for Details)   |
|---|------|---|
| 15.4.4 SCI Initialization (Asynchronous Mode)               | 727  | Description added<br>Before transmitting and receiving data, you should first clear the TE and RE bits in SCR to 0, then initialize the SCI as shown in figure 15.5. Do not write to SMR, SCMR, IrCR, or SEMR while the SCI is operating. This also applies to writing the same data as the current register contents. ...                            |
| 15.6.2 SCI Initialization (Clocked Synchronous Mode)        | 741  | Description added<br>Before transmitting and receiving data, you should first clear the TE and RE bits in SCR to 0, then initialize the SCI as described in a sample flowchart in figure 15.15. Do not write to SMR, SCMR, IrCR, or SEMR while the SCI is operating. This also applies to writing the same data as the current register contents. ... |
| Section 16 I <sup>2</sup> C Bus Interface 2 (IIC2) (Option) | 771  | Description amended<br>The I <sup>2</sup> C bus interface conforms to and provides a subset of the NXP Semiconductors I <sup>2</sup> C bus (inter-IC bus) interface (Rev. 3) standard and fast mode functions. The register configuration that controls the I <sup>2</sup> C bus differs partly from the NXP Semiconductors configuration, however.   |

16.3.1 I<sup>2</sup>C Bus Control Register A (ICCRA) 776

Table 16.2 Transfer Rate

| Bit 3          | Bit 2          | Bit 1 | Bit 0 | Transfer Rate |         |         |                      |                      |                       |                       |                       |
|----------------|----------------|-------|-------|---------------|---------|---------|----------------------|----------------------|-----------------------|-----------------------|-----------------------|
| CKS3           | CKS2           | CKS1  | CKS0  | Clock         | 8 MHz   | 10 MHz  | 20 MHz               | 25 MHz               | 33 MHz                | 34 MHz <sup>-1</sup>  | 35 MHz <sup>-2</sup>  |
| 0 <sup>4</sup> | 0 <sup>4</sup> | 0     | 0     | φ/28          | 286 kHz | 357 kHz | 714 kHz <sup>3</sup> | 893 kHz <sup>3</sup> | 1179 kHz <sup>3</sup> | 1214 kHz <sup>3</sup> | 1250 kHz <sup>3</sup> |
|                |                |       | 1     | φ/40          | 200 kHz | 250 kHz | 500 kHz <sup>3</sup> | 625 kHz <sup>3</sup> | 825 kHz <sup>3</sup>  | 850 kHz <sup>3</sup>  | 875 kHz <sup>3</sup>  |
|                |                | 1     | 0     | φ/48          | 167 kHz | 208 kHz | 417 kHz <sup>3</sup> | 521 kHz <sup>3</sup> | 688 kHz <sup>3</sup>  | 708 kHz <sup>3</sup>  | 729 kHz <sup>3</sup>  |
|                |                |       | 1     | φ/64          | 125 kHz | 156 kHz | 313 kHz              | 391 kHz              | 516 kHz <sup>3</sup>  | 531 kHz <sup>3</sup>  | 547 kHz <sup>3</sup>  |

Notes 3 and 4 added

- I<sup>2</sup>C bus interface specification (standard mode: max. 100 kHz, fast mode: max. 400 kHz).
- Due to load conditions, etc., it may not be possible to attain the specified transfer rate when CKS3 and CKS2 are both cleared to 0 (bit period: 7.5 tyc) and the operating frequency is 20 MHz or higher. Use a bit period other than 7.5 tyc when the operating frequency exceeds 20 MHz.

16.3.5 I2C Bus Status Register (ICSR) 782 Table amended

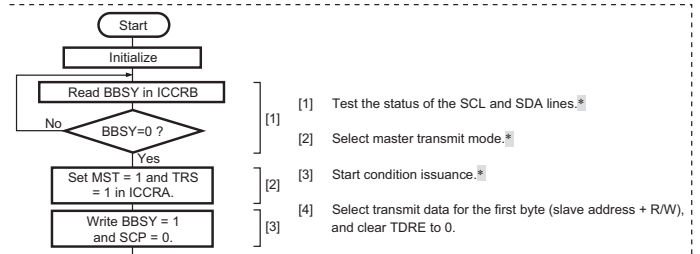
| Bit | Bit Name | Initial Value | R/W | Description  |
|-----|----------|---------------|-----|--|
| 7   | TDRE     | 0             | R/W | <p>Transmit Data Register Empty</p> <p>[Setting condition]</p> <ul style="list-style-type: none"> <li>When data is transferred from ICDRT to ICDSRS and ICDRT becomes empty</li> <li>When TRS has been set</li> </ul> <p>[Clearing conditions]</p> <ul style="list-style-type: none"> <li>When a transition from the receive mode to the transmit mode has been made in the slave mode</li> </ul> <p>[Clearing conditions]</p> <ul style="list-style-type: none"> <li>When 0 is written in TDRE after reading TDRE = 1</li> <li>When data is written in ICDRT</li> </ul> |

783 Table amended

| Bit | Bit Name | Initial Value | R/W | Description   |
|-----|----------|---------------|-----|---|
| 2   | AL       | 0             | R/W | <p>Arbitration Lost Flag</p> <p>This flag indicates that arbitration was lost in master mode.</p> <p>When two or more master devices attempt to seize the bus at nearly the same time, if the I<sup>2</sup>C bus interface detects data differing from the data it sent, it sets AL to 1 to indicate that the bus has been taken by another master.</p> <p>[Setting conditions]</p> <ul style="list-style-type: none"> <li>If the internal SDA and SDA pin disagree at the rise of SCL in master transmit mode</li> <li>When the internal SDA high in master mode while a start condition is detected</li> </ul> <p>[Clearing condition]</p> <ul style="list-style-type: none"> <li>When 0 is written in AL/OVE after reading AL/OVE=1</li> </ul> |

16.4.7 Example of Use 797 Figure amended

Figure 16.14 Sample Flowchart for Master Transmit Mode



Note: \* Ensure that no interrupts occur between when BBSY is cleared to 0 and start condition [3].

16.4.7 Example of Use 798 Figure amended

Figure 16.15 Sample Flowchart for Master Receive Mode

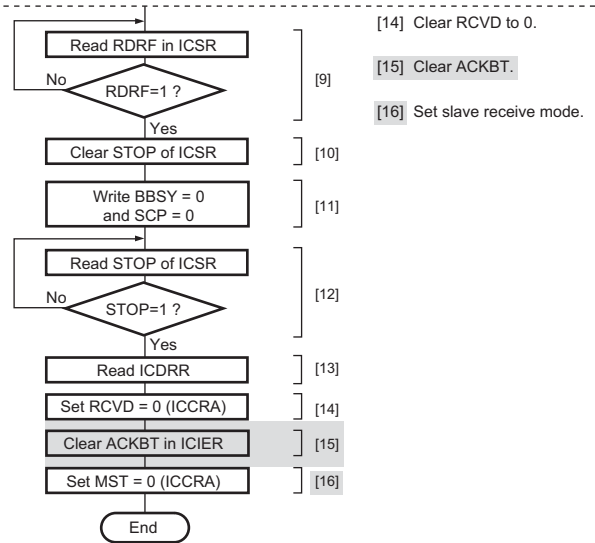
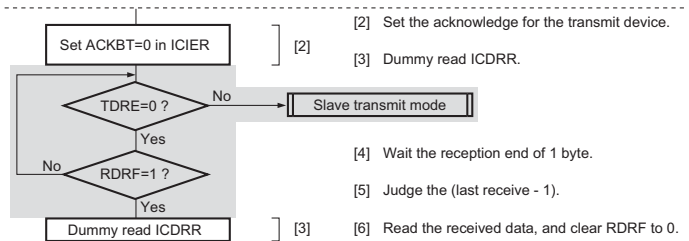


Figure 16.17 Sample Flowchart for Slave Receive Mode 800 Figure amended

Figure 16.17 Sample Flowchart for Slave Receive Mode



16.7 Usage Notes 803 Usage note added

(3) I<sup>2</sup>C bus interface 2 (IIC2) master receive mode

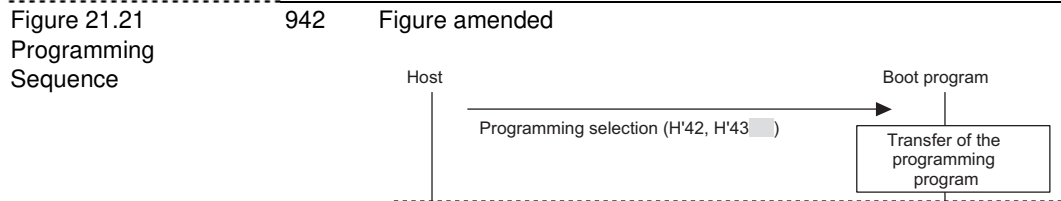
(4) Limitations on transfer rate setting values when using I<sup>2</sup>C bus interface 2 (IIC2) in multi-master mode

(5) Limitations on use of bit manipulation instructions to set MST and TRS when using I<sup>2</sup>C bus interface 2 (IIC2) in multi-master mode

| Item  | Page | Revision (See Manual for Details)   |
|---|------|---|
| 17.1 Features<br>Figure 17.1 Block Diagram of A/D Converter | 806  | Figure amended  |
|   |      |   |
| 21.1 Features   | 862  | Description amended <ul style="list-style-type: none"> <li>• Programming/erase protection</li> </ul> <p>There are three types of flash memory programming/erase protection that may be selected: hardware protection, software protection, and error protection.</p>  |
| 21.1.1 Operating Mode                                       | 864  | Description amended <p>When the mode pins are set in the reset state and a reset start is performed, the MCU transitions to an operating mode as shown in figure 21.2.</p>  |
| 21.3.1 Programming/Erasing Interface Register               | 872  | Description amended <ul style="list-style-type: none"> <li>• Flash Code Control and Status Register (FCCS)</li> </ul> <p>FCCS is used to request monitoring of flash memory programming/erase errors or downloading of on-chip programs.</p>  |
| 21.3.2 Programming/Erasing Interface Parameter              | 879  | Description amended <p>When download, initialization, or on-chip program is executed, registers of the CPU except for ER0 and ER1 are stored. The return value of the processing result is written in ER0, ER1. Since the stack area is used for storing the registers except for ER0, ER1, the stack area must be saved at the processing start. (A maximum size of a stack area to be used is 128 bytes.)</p> |
| 21.3.3 Flash Vector Address Control Register (FVACR)        | 889  | Description amended <p>FVACR modifies the space from which the vector table data of the NMI interrupts is read. Normally the vector table data is read from the address spaces from H'00001C to H'00001F.</p>   |

| Item   | Page | Revision (See Manual for Details)   |
|--|------|---|
| 21.4.2 User Program Mode<br>(2) Programming Procedure in User Program Mode<br>6. The FPEFEQ and FUBRA parameters are set for initialization. | 889  | Description amended<br>...For details on the frequency setting, see the description in 21.3.2 (2) (a), Flash programming/erasing frequency parameter (FPEFEQ: general register ER0 of CPU).<br>...For details, see the descriptions in 21.3.2 (2) (a), Flash programming/erasing frequency parameter (FPEFEQ: general register ER0 of CPU), and 21.3.2 (2) (b), Flash user branch address setting parameter (FUBRA: general register ER1 of CPU). |

|   |     |   |
|---|-----|---|
| 21.8 Serial Communication Interface Specification for Boot Mode<br>(4) Inquiry and Selection States<br>(b) Device Selection | 930 | Description amended<br><ul style="list-style-type: none"> <li>Size (one byte): Amount of device-code data<br/>This is fixed at 4</li> </ul> |
|---|-----|---|



|   |     |  |
|---|-----|--|
| (9) Programming/Erasing State<br>(b) 128-byte programming | 943 | Description amended<br><ul style="list-style-type: none"> <li>Programming Address (four bytes): Start address for programming<br/>Multiple of the size specified in response to the programming unit inquiry (i.e. H'00, H'01, H'00, H'00 : H'00010000)</li> </ul> |
|---|-----|--|

|                            |     |  |
|----------------------------|-----|--|
| 24.2.1 Clock Division Mode | 972 | Description amended<br>...In clock division mode, the CPU, bus masters, and on-chip peripheral functions all operate on the operating clock (1/2, 1/4) specified by bits SCK2 to SCK0. |
|----------------------------|-----|--|

|                    |      |               |
|--------------------|------|---------------|
| 25.2 Register Bits | 1004 | Table amended |
|--------------------|------|---------------|

| Register Abbreviation | Bit 7 | Bit 6 | Bit 5 | Bit 4 | Bit 3 | Bit 2 | Bit 1 | Bit 0 | Module |
|-----------------------|-------|-------|-------|-------|-------|-------|-------|-------|--------|
| FCCS <sup>88</sup>    | —     | —     | —     | FLER  | —     | —     | —     | SCO   | FLASH  |

26.1.2 DC 1020 Table amended  
Characteristics

Table 26.2 DC  
Characteristics (1)

| Item                | Symbol  | Min.                | Typ.           | Max.                | Unit | Test Conditions |                           |
|---------------------|---|---------------------|----------------|---------------------|------|-----------------|---------------------------|
| Input high voltage  | STBY, MD2 to MD0  | $V_{CC} \times 0.9$ | —              | $V_{CC} + 0.3$      | V    |                 |                           |
|                     | RES, NMI, EMLE  | $V_{CC} \times 0.9$ | —              | $V_{CC} + 0.3$      | V    |                 |                           |
|                     | EXTAL   | $V_{CC} \times 0.7$ | —              | $V_{CC} + 0.3$      | V    |                 |                           |
|                     | Port 3, P50 to P53*3, ports 6*3 and 8*3, ports A to H*3 | 2.2                 | —              | $V_{CC} + 0.3$      | V    |                 |                           |
| Input low voltage   | Port 4, Port 9  | 2.2                 | —              | $AV_{CC} + 0.3$     | V    |                 |                           |
|                     | RES, STBY, MD2 to MD0, EMLE                             | -0.3                | —              | $V_{CC} \times 0.1$ | V    |                 |                           |
|                     | NMI, EXTAL  | -0.3                | —              | $V_{CC} \times 0.2$ | V    |                 |                           |
| Output high voltage | All output pins   | $V_{OH}$            | $V_{CC} - 0.5$ | —                   | —    | V               | $I_{OH} = -200 \mu A$     |
|                     |   |                     | $V_{CC} - 1.0$ | —                   | —    | V               | $I_{OH} = -1 \text{ mA}$  |
| Output low voltage  | All output pins   | $V_{OL}$            | —              | —                   | 0.4  | V               | $I_{OL} = 1.6 \text{ mA}$ |
|                     |   |                     | P32 to P35*4   | —                   | —    | 0.5             | V                         |

Notes 4 added

4. When used as SCL0 to SCL1, SDA0 to SDA1.

Table 26.4 1022 Table amended  
Permissible Output Currents

| Item                                     | Symbol                           | Min.     | Typ. | Max. | Unit |
|--|----------------------------------|----------|------|------|------|
| Permissible output low current (per pin) | SCL0, 1, SDA0, 1                 | $I_{OL}$ | —    | 8.0  | mA   |
|  | Output pins other than the above |          | —    | 2.0  |      |

26.1.6 Flash Memory 1033 Table amended  
Characteristics

Table 26.13 Flash  
Memory Characteristics  
(0.35- $\mu\text{m}$  F-ZTAT  
Version)

| Item                     | Symbol    | Min.      | Typ.    | Max. | Unit             | Test Conditions |
|--------------------------|-----------|-----------|---------|------|------------------|-----------------|
| Programming time*1 *2 *4 | $t_p$     | —         | 10      | 200  | ms/<br>128 bytes |                 |
| Erase time*1 *3 *6       | $t_e$     | —         | 50      | 1000 | ms/blocks        |                 |
| Rewrites                 | $N_{WEC}$ | 100*7     | 10000*8 | —    | Times            |                 |
| Data retention time      | $t_{DRP}$ | $10^{*9}$ | —       | —    | Years            |                 |

1034 Notes 7 to 9 added

7. The minimum number of rewrites after which all characteristics are guaranteed. (Characteristics are guaranteed over a range of one rewrite to the minimum number of rewrites.)
8. Reference value for 25°C. (Rewrites usually function up to this standard value.)
9. The data retention characteristics within the specification range, including the minimum number of rewrites.



**Item** **Page** **Revision (See Manual for Details)**

26.2.2 DC 1036 Table amended

Characteristics

Table 26.15 DC Characteristics

| Item                | Symbol  | Min.     | Typ.                | Max.            | Test                |            |                       |
|---------------------|---|----------|---------------------|-----------------|---------------------|------------|-----------------------|
|                     |   |          |                     |                 | Unit                | Conditions |                       |
| Input high voltage  | STBY, MD2 to MD0  | $V_{IH}$ | $V_{CC} \times 0.9$ | —               | $V_{CC} + 0.3$      | V          |                       |
|                     | RES, NMI, EMLE  |          | $V_{CC} \times 0.9$ | —               | $V_{CC} + 0.3$      | V          |                       |
|                     | EXTAL   |          | $V_{CC} \times 0.7$ | —               | $V_{CC} + 0.3$      | V          |                       |
|                     | Port 3, P50 to P53 <sup>*3</sup> , ports 6 <sup>*3</sup> and 8 <sup>*3</sup> , ports A to H <sup>*3</sup> |          | 2.2                 | —               | $V_{CC} + 0.3$      | V          |                       |
| Port 4, Port 9      |   | 2.2      | —                   | $AV_{CC} + 0.3$ | V                   |            |                       |
| Input low voltage   | RES, STBY, MD2 to MD0, EMLE   | $V_{IL}$ | -0.3                | —               | $V_{CC} \times 0.1$ | V          |                       |
|                     | NMI, EXTAL  |          | -0.3                | —               | $V_{CC} \times 0.2$ | V          |                       |
|                     | Ports 3 to 6 <sup>*3</sup> , Port 8 <sup>*3</sup> , ports A to H <sup>*3</sup> , port 9                   |          | -0.3                | —               | $V_{CC} \times 0.2$ | V          |                       |
| Output high voltage | All output pins   | $V_{OH}$ | $V_{CC} - 0.5$      | —               | —                   | V          | $I_{OH} = -200 \mu A$ |
|                     |   |          | $V_{CC} - 1.0$      | —               | —                   | V          | $I_{OH} = -1 mA$      |
| Output low voltage  | All output pins<br>P32 to P35 <sup>*4</sup>   | $V_{OL}$ | —                   | —               | 0.4                 | V          | $I_{OL} = 1.6 mA$     |
|                     |   |          | —                   | —               | 0.5                 | V          | $I_{OL} = 8.0 mA$     |

Table 26.17 1038 Table amended

Permissible Output Currents

| Item                                     | Symbol                           | Min.     | Typ. | Max. | Unit |    |
|--|----------------------------------|----------|------|------|------|----|
| <ermissible output low current (per pin) | SCL0, 1, SDA0, 1                 | $I_{OL}$ | —    | —    | 8.0  | mA |
|  | Output pins other than the above |          | —    | —    | 2.0  |    |

26.2.3 AC 1044 Table amended

Characteristics

Table 26.21 Bus Timing (2)

| Item           | Symbol    | Min. |
|----------------|-----------|------|
| WAIT hold time | $t_{WTH}$ | 5    |

26.3.2 DC Characteristics  
Table 26.28 DC Characteristics

1051 Table amended

| Item                | Symbol  | Min.                | Typ.           | Max.                | Unit | Test Conditions           |
|---------------------|---|---------------------|----------------|---------------------|------|---------------------------|
| Input high voltage  | STBY, MD2 to MD0  | $V_{CC} \times 0.9$ | —              | $V_{CC} + 0.3$      | V    |                           |
|                     | RES, NMI, EMLE  | $V_{CC} \times 0.9$ | —              | $V_{CC} + 0.3$      | V    |                           |
|                     | EXTAL   | $V_{CC} \times 0.7$ | —              | $V_{CC} + 0.3$      | V    |                           |
|                     | Port 3, P50 to P53*3, ports 6*3 and 8*3, ports A to H*3 | 2.2                 | —              | $V_{CC} + 0.3$      | V    |                           |
|                     | Port 4, Port 9  | 2.2                 | —              | $AV_{CC} + 0.3$     | V    |                           |
| Input low voltage   | RES, STBY, MD2 to MD0, EMLE                             | -0.3                | —              | $V_{CC} \times 0.1$ | V    |                           |
|                     | NMI, EXTAL  | -0.3                | —              | $V_{CC} \times 0.2$ | V    |                           |
|                     | Ports 3 to 6*3, Port 8*3, ports A to H*3, port 9        | -0.3                | —              | $V_{CC} \times 0.2$ | V    |                           |
| Output high voltage | All output pins   | $V_{OH}$            | $V_{CC} - 0.5$ | —                   | V    | $I_{OH} = -200 \mu A$     |
|                     |   |                     | $V_{CC} - 1.0$ | —                   | V    | $I_{OH} = -1 \text{ mA}$  |
| Output low voltage  | All output pins   | $V_{OL}$            | —              | 0.4                 | V    | $I_{OL} = 1.6 \text{ mA}$ |
|                     |   |                     | —              | 0.5                 | V    | $I_{OL} = 8.0 \text{ mA}$ |

Table 26.30 Permissible Output Currents

1053 Table amended

| Item  | Symbol                           | Min.     | Typ. | Max. | Unit |
|---|----------------------------------|----------|------|------|------|
| <em>ermissible output low current (per pin) | SCL0, 1, SDA0, 1                 | $I_{OL}$ | —    | 8.0  | mA   |
|   | Output pins other than the above |          | —    | 2.0  |      |

26.3.3 AC Characteristics

1059 Table amended

Table 26.34 Bus Timing (2)

| Item           | Symbol    | Min. |
|----------------|-----------|------|
| WAIT hold time | $t_{WTH}$ | 5    |

26.4.3 Bus Timing  
Figure 26.7 Basic Bus Timing: Two-State Access

1070 Figure amended

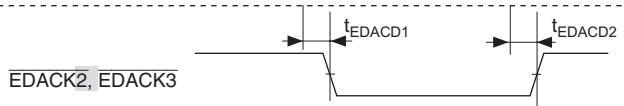


Figure 26.8 Basic Bus Timing: Three-State Access

1071 Figure amended



Figure 26.10 Basic Bus Timing: Two-State Access (CS Assertion Period Extended)

1073 Figure amended



| Item   | Page | Revision (See Manual for Details) |
|--|------|-----------------------------------|
| 26.4.3 Bus Timing<br>Figure 26.11 Basic Bus Timing: Three-State Access (CS Assertion Period Extended)          | 1074 | Figure amended                    |
|  |      |                                   |
| Figure 26.14 DRAM Access Timing: Two-State Access  | 1077 | Figure amended                    |
|  |      |                                   |
| Figure 26.15 DRAM Access Timing: Two-State Access, One Wait  | 1078 | Figure amended                    |
|  |      |                                   |
| Figure 26.16 DRAM Access Timing: Two-State Burst Access  | 1079 | Figure amended                    |
|  |      |                                   |
| Figure 26.17 DRAM Access Timing: Three-State Access (RAST = 1)   | 1080 | Figure amended                    |
|  |      |                                   |
| Figure 26.18 DRAM Access Timing: Three-State Burst Access  | 1081 | Figure amended                    |
|  |      |                                   |
| 26.4.4 DMAC and EXDMAC Timing<br>Figure 26.28 DMAC and EXDMAC Single Address Transfer Timing: Two-State Access | 1088 | Figure amended                    |
|  |      |                                   |
| Figure 26.29 DMAC and EXDMAC Single Address Transfer Timing: Three-State Access                                | 1089 | Figure amended                    |
|  |      |                                   |

| Item  | Page | Revision (See Manual for Details) |
|---|------|-----------------------------------|
| 26.4.4 DMAC and EXDMAC Timing                         | 1090 | Figure amended                    |
| Figure 26.30 DMAC and EXDMAC TEND/ETEND Output Timing |      |                                   |
| Figure 26.31 DMAC and EXDMAC DREQ/EDREQ Input Timing  | 1090 | Figure amended                    |
| Figure 26.32 EXDMAC EDRAK Output Timing               | 1090 | Figure amended                    |
| C. Package Dimensions                                 | 1107 | Figure replaced                   |
| Figure C.2 Package Dimensions (TLP-145V)              |      |                                   |

All trademarks and registered trademarks are the property of their respective owners.

# Contents

|           |   |    |
|-----------|---|----|
| Section 1 | Overview  | 1  |
| 1.1       | Features  | 1  |
| 1.2       | Block Diagram   | 3  |
| 1.3       | Pin Description   | 7  |
| 1.3.1     | Pin Arrangement   | 7  |
| 1.3.2     | Pin Arrangement in Each Operating Mode                                | 12 |
| 1.3.3     | Pin Functions   | 18 |
| Section 2 | CPU   | 35 |
| 2.1       | Features  | 35 |
| 2.1.1     | Differences between H8S/2600 CPU and H8S/2000 CPU                     | 36 |
| 2.1.2     | Differences from H8/300 CPU   | 37 |
| 2.1.3     | Differences from H8/300H CPU  | 37 |
| 2.2       | CPU Operating Modes   | 38 |
| 2.2.1     | Normal Mode   | 38 |
| 2.2.2     | Advanced Mode   | 40 |
| 2.3       | Address Space   | 42 |
| 2.4       | Register Configuration  | 43 |
| 2.4.1     | General Registers   | 44 |
| 2.4.2     | Program Counter (PC)  | 45 |
| 2.4.3     | Extended Control Register (EXR)                                       | 45 |
| 2.4.4     | Condition-Code Register (CCR)   | 46 |
| 2.4.5     | Initial Register Values   | 47 |
| 2.5       | Data Formats  | 47 |
| 2.5.1     | General Register Data Formats   | 48 |
| 2.5.2     | Memory Data Formats   | 50 |
| 2.6       | Instruction Set   | 51 |
| 2.6.1     | Table of Instructions Classified by Function                          | 52 |
| 2.6.2     | Basic Instruction Formats   | 61 |
| 2.7       | Addressing Modes and Effective Address Calculation                    | 62 |
| 2.7.1     | Register Direct—Rn  | 63 |
| 2.7.2     | Register Indirect—@ERn  | 63 |
| 2.7.3     | Register Indirect with Displacement—@(d:16, ERn) or @(d:32, ERn)      | 63 |
| 2.7.4     | Register Indirect with Post-Increment or Pre-Decrement—@ERn+ or @-ERn | 63 |
| 2.7.5     | Absolute Address—@aa:8, @aa:16, @aa:24, or @aa:32                     | 64 |
| 2.7.6     | Immediate—#xx:8, #xx:16, or #xx:32                                    | 64 |
| 2.7.7     | Program-Counter Relative—@(d:8, PC) or @(d:16, PC)                    | 65 |
| 2.7.8     | Memory Indirect—@@aa:8  | 65 |

|  |   |            |
|--|---|------------|
| 2.7.9                                      | Effective Address Calculation .....                     | 66         |
| 2.8  | Processing States.....                                  | 68         |
| 2.9  | Usage Note.....   | 69         |
| 2.9.1                                      | Note on Bit Manipulation Instructions.....              | 69         |
| <b>Section 3 MCU Operating Modes .....</b> |   | <b>71</b>  |
| 3.1  | Operating Mode Selection.....                           | 71         |
| 3.2  | Register Descriptions .....                             | 72         |
| 3.2.1                                      | Mode Control Register (MDCR) .....                      | 72         |
| 3.2.2                                      | System Control Register (SYSCR) .....                   | 72         |
| 3.3  | Operating Mode Descriptions .....                       | 75         |
| 3.3.1                                      | Mode 1 .....  | 75         |
| 3.3.2                                      | Mode 2 .....  | 75         |
| 3.3.3                                      | Mode 3 .....  | 75         |
| 3.3.4                                      | Mode 4 .....  | 75         |
| 3.3.5                                      | Mode 5 .....  | 76         |
| 3.3.6                                      | Mode 7 .....  | 76         |
| 3.3.7                                      | Pin Functions .....                                     | 77         |
| 3.4  | Memory Map in Each Operating Mode .....                 | 78         |
| <b>Section 4 Exception Handling .....</b>  |   | <b>93</b>  |
| 4.1  | Exception Handling Types and Priority .....             | 93         |
| 4.2  | Exception Sources and Exception Vector Table .....      | 93         |
| 4.3  | Reset.....  | 95         |
| 4.3.1                                      | Reset Exception Handling.....                           | 95         |
| 4.3.2                                      | Interrupts after Reset.....                             | 97         |
| 4.3.3                                      | On-Chip Peripheral Functions after Reset Release .....  | 97         |
| 4.4  | Trace Exception Handling.....                           | 98         |
| 4.5  | Interrupt Exception Handling.....                       | 98         |
| 4.6  | Trap Instruction Exception Handling .....               | 99         |
| 4.7  | Stack Status after Exception Handling.....              | 100        |
| 4.8  | Usage Note.....   | 101        |
| <b>Section 5 Interrupt Controller.....</b> |   | <b>103</b> |
| 5.1  | Features.....   | 103        |
| 5.2  | Input/Output Pins .....                                 | 105        |
| 5.3  | Register Descriptions .....                             | 105        |
| 5.3.1                                      | Interrupt Control Register (INTCR).....                 | 106        |
| 5.3.2                                      | Interrupt Priority Registers A to K (IPRA to IPRK)..... | 106        |
| 5.3.3                                      | IRQ Enable Register (IER) .....                         | 108        |
| 5.3.4                                      | IRQ Sense Control Registers H and L (ISCRH, ISCRL)..... | 110        |

|  |   |            |
|--|---|------------|
| 5.3.5                                      | IRQ Status Register (ISR).....  | 116        |
| 5.3.6                                      | IRQ Pin Select Register (ITSR).....   | 117        |
| 5.3.7                                      | Software Standby Release IRQ Enable Register (SSIER) .....  | 119        |
| 5.4  | Interrupt Sources .....   | 120        |
| 5.4.1                                      | External Interrupts .....   | 120        |
| 5.4.2                                      | Internal Interrupts.....  | 121        |
| 5.5  | Interrupt Exception Handling Vector Table.....  | 121        |
| 5.6  | Interrupt Control Modes and Interrupt Operation .....   | 127        |
| 5.6.1                                      | Interrupt Control Mode 0 .....  | 127        |
| 5.6.2                                      | Interrupt Control Mode 2 .....  | 129        |
| 5.6.3                                      | Interrupt Exception Handling Sequence .....   | 130        |
| 5.6.4                                      | Interrupt Response Times .....  | 132        |
| 5.6.5                                      | DTC and DMAC Activation by Interrupt .....  | 133        |
| 5.7  | Usage Notes .....   | 134        |
| 5.7.1                                      | Conflict between Interrupt Generation and Disabling .....   | 134        |
| 5.7.2                                      | Instructions that Disable Interrupts .....  | 135        |
| 5.7.3                                      | Times when Interrupts Are Disabled .....  | 135        |
| 5.7.4                                      | Interrupts during Execution of EEPMOV Instruction.....  | 135        |
| 5.7.5                                      | Change of IRQ Pin Select Register (ITSR) Setting .....  | 135        |
| 5.7.6                                      | IRQ Status Register (ISR).....  | 136        |
| <b>Section 6 Bus Controller (BSC).....</b> |   | <b>137</b> |
| 6.1  | Features .....  | 137        |
| 6.2  | Input/Output Pins .....   | 139        |
| 6.3  | Register Descriptions .....   | 142        |
| 6.3.1                                      | Bus Width Control Register (ABWCR).....   | 143        |
| 6.3.2                                      | Access State Control Register (ASTCR) .....   | 143        |
| 6.3.3                                      | Wait Control Registers AH, AL, BH, and BL<br>(WTCRAH, WTCRAL, WTCRBH, and WTCRBL).....                              | 144        |
| 6.3.4                                      | Read Strobe Timing Control Register (RDNCR) .....   | 150        |
| 6.3.5                                      | $\overline{CS}$ Assertion Period Control Registers H, L (CSACRH, CSACRL).....                                       | 151        |
| 6.3.6                                      | Area 0 Burst ROM Interface Control Register (BROMCRH)<br>Area 1 Burst ROM Interface Control Register (BROMCRL)..... | 153        |
| 6.3.7                                      | Bus Control Register (BCR) .....  | 154        |
| 6.3.8                                      | DRAM Control Register (DRAMCR) .....  | 156        |
| 6.3.9                                      | DRAM Access Control Register (DRACCR).....  | 164        |
| 6.3.10                                     | Refresh Control Register (REFCR) .....  | 167        |
| 6.3.11                                     | Refresh Timer Counter (RTCNT).....  | 170        |
| 6.3.12                                     | Refresh Time Constant Register (RTCOR) .....  | 170        |
| 6.4  | Bus Control .....   | 171        |
| 6.4.1                                      | Area Division .....   | 171        |

|        |   |     |
|--------|---|-----|
| 6.4.2  | Bus Specifications.....   | 172 |
| 6.4.3  | Memory Interfaces.....  | 174 |
| 6.4.4  | Chip Select Signals.....  | 175 |
| 6.5    | Basic Bus Interface.....  | 176 |
| 6.5.1  | Data Size and Data Alignment.....   | 176 |
| 6.5.2  | Valid Strobes.....  | 178 |
| 6.5.3  | Basic Timing.....   | 178 |
| 6.5.4  | Wait Control.....   | 187 |
| 6.5.5  | Read Strobe ( $\overline{RD}$ ) Timing.....   | 188 |
| 6.5.6  | Extension of Chip Select ( $\overline{CS}$ ) Assertion Period.....                  | 189 |
| 6.6    | DRAM Interface.....   | 191 |
| 6.6.1  | Setting DRAM Space.....   | 191 |
| 6.6.2  | Address Multiplexing.....   | 191 |
| 6.6.3  | Data Bus.....   | 192 |
| 6.6.4  | Pins Used for DRAM Interface.....   | 193 |
| 6.6.5  | Basic Timing.....   | 194 |
| 6.6.6  | Column Address Output Cycle Control.....  | 195 |
| 6.6.7  | Row Address Output State Control.....   | 196 |
| 6.6.8  | Precharge State Control.....  | 198 |
| 6.6.9  | Wait Control.....   | 199 |
| 6.6.10 | Byte Access Control.....  | 202 |
| 6.6.11 | Burst Operation.....  | 203 |
| 6.6.12 | Refresh Control.....  | 208 |
| 6.6.13 | DMAC and EXDMAC Single Address Transfer Mode and DRAM Interface.....                | 213 |
| 6.7    | Synchronous DRAM Interface.....   | 216 |
| 6.7.1  | Setting Continuous Synchronous DRAM Space.....                                      | 216 |
| 6.7.2  | Address Multiplexing.....   | 217 |
| 6.7.3  | Data Bus.....   | 218 |
| 6.7.4  | Pins Used for Synchronous DRAM Interface.....                                       | 218 |
| 6.7.5  | Synchronous DRAM Clock.....   | 220 |
| 6.7.6  | Basic Timing.....   | 220 |
| 6.7.7  | CAS Latency Control.....  | 222 |
| 6.7.8  | Row Address Output State Control.....   | 224 |
| 6.7.9  | Precharge State Count.....  | 225 |
| 6.7.10 | Bus Cycle Control in Write Cycle.....   | 227 |
| 6.7.11 | Byte Access Control.....  | 228 |
| 6.7.12 | Burst Operation.....  | 231 |
| 6.7.13 | Refresh Control.....  | 234 |
| 6.7.14 | Mode Register Setting of Synchronous DRAM.....                                      | 240 |
| 6.7.15 | DMAC and EXDMAC Single Address Transfer Mode<br>and Synchronous DRAM Interface..... | 241 |



|   |   |            |
|---|---|------------|
| 6.8   | Burst ROM Interface.....  | 246        |
| 6.8.1                                       | Basic Timing.....   | 246        |
| 6.8.2                                       | Wait Control .....  | 248        |
| 6.8.3                                       | Write Access .....  | 248        |
| 6.9   | Idle Cycle.....   | 249        |
| 6.9.1                                       | Operation .....   | 249        |
| 6.9.2                                       | Pin States in Idle Cycle .....  | 268        |
| 6.10  | Write Data Buffer Function .....                                      | 268        |
| 6.11  | Bus Release.....  | 269        |
| 6.11.1                                      | Operation .....   | 270        |
| 6.11.2                                      | Pin States in External Bus Released State.....                        | 271        |
| 6.11.3                                      | Transition Timing .....   | 272        |
| 6.12  | Bus Arbitration.....  | 274        |
| 6.12.1                                      | Operation .....   | 274        |
| 6.12.2                                      | Bus Transfer Timing.....  | 275        |
| 6.13  | Bus Controller Operation in Reset .....                               | 276        |
| 6.14  | Usage Notes .....   | 277        |
| 6.14.1                                      | External Bus Release Function and All-Module-Clocks-Stopped Mode..... | 277        |
| 6.14.2                                      | External Bus Release Function and Software Standby .....              | 277        |
| 6.14.3                                      | External Bus Release Function and CBR Refreshing/Auto Refreshing..... | 277        |
| 6.14.4                                      | $\overline{\text{BREQO}}$ Output Timing .....                         | 278        |
| 6.14.5                                      | Notes on Usage of the Synchronous DRAM .....                          | 278        |
| <b>Section 7 DMA Controller (DMAC).....</b> |   | <b>279</b> |
| 7.1   | Features.....   | 279        |
| 7.2   | Input/Output Pins .....   | 281        |
| 7.3   | Register Descriptions .....   | 281        |
| 7.3.1                                       | Memory Address Registers (MARA and MARB).....                         | 283        |
| 7.3.2                                       | I/O Address Registers (IOARA and IOARB).....                          | 283        |
| 7.3.3                                       | Execute Transfer Count Registers (ETCRA and ETCRB) .....              | 284        |
| 7.3.4                                       | DMA Control Registers (DMACRA and DMACRB).....                        | 285        |
| 7.3.5                                       | DMA Band Control Registers H and L (DMABCRH and DMABCRL).....         | 293        |
| 7.3.6                                       | DMA Write Enable Register (DMAWER).....                               | 304        |
| 7.3.7                                       | DMA Terminal Control Register (DMATCR).....                           | 306        |
| 7.4   | Activation Sources .....  | 307        |
| 7.4.1                                       | Activation by Internal Interrupt Request.....                         | 308        |
| 7.4.2                                       | Activation by External Request .....                                  | 309        |
| 7.4.3                                       | Activation by Auto-Request.....                                       | 309        |
| 7.5   | Operation.....  | 309        |
| 7.5.1                                       | Transfer Modes .....  | 309        |
| 7.5.2                                       | Sequential Mode .....   | 312        |

|   |   |            |
|---|---|------------|
| 7.5.3   | Idle Mode.....  | 314        |
| 7.5.4   | Repeat Mode.....  | 316        |
| 7.5.5   | Single Address Mode.....  | 320        |
| 7.5.6   | Normal Mode.....  | 323        |
| 7.5.7   | Block Transfer Mode.....  | 326        |
| 7.5.8   | Basic Bus Cycles.....   | 331        |
| 7.5.9   | DMA Transfer (Dual Address Mode) Bus Cycles.....                                    | 332        |
| 7.5.10  | DMA Transfer (Single Address Mode) Bus Cycles.....                                  | 340        |
| 7.5.11  | Write Data Buffer Function.....   | 346        |
| 7.5.12  | Multi-Channel Operation.....  | 347        |
| 7.5.13  | Relation between DMAC and External Bus Requests, Refresh Cycles,<br>and EXDMAC..... | 349        |
| 7.5.14  | DMAC and NMI Interrupts.....  | 350        |
| 7.5.15  | Forced Termination of DMAC Operation.....   | 351        |
| 7.5.16  | Clearing Full Address Mode.....   | 352        |
| 7.6   | Interrupt Sources.....  | 353        |
| 7.7   | Usage Notes.....  | 354        |
| 7.7.1   | DMAC Register Access during Operation.....  | 354        |
| 7.7.2   | Module Stop.....  | 355        |
| 7.7.3   | Write Data Buffer Function.....   | 356        |
| 7.7.4   | $\overline{\text{TEND}}$ Output.....  | 356        |
| 7.7.5   | Activation by Falling Edge on $\overline{\text{DREQ}}$ Pin.....                     | 357        |
| 7.7.6   | Activation Source Acceptance.....   | 358        |
| 7.7.7   | Internal Interrupt after End of Transfer.....                                       | 358        |
| 7.7.8   | Channel Re-Setting.....   | 358        |
| <b>Section 8 EXDMA Controller (EXDMAC).....</b> |   | <b>359</b> |
| 8.1   | Features.....   | 359        |
| 8.2   | Input/Output Pins.....  | 361        |
| 8.3   | Register Descriptions.....  | 362        |
| 8.3.1   | EXDMA Source Address Register (EDSAR).....  | 362        |
| 8.3.2   | EXDMA Destination Address Register (EDDAR).....                                     | 362        |
| 8.3.3   | EXDMA Transfer Count Register (EDTCR).....  | 363        |
| 8.3.4   | EXDMA Mode Control Register (EDMDR).....  | 365        |
| 8.3.5   | EXDMA Address Control Register (EDACR).....   | 370        |
| 8.4   | Operation.....  | 374        |
| 8.4.1   | Transfer Modes.....   | 374        |
| 8.4.2   | Address Modes.....  | 375        |
| 8.4.3   | DMA Transfer Requests.....  | 379        |
| 8.4.4   | Bus Modes.....  | 379        |
| 8.4.5   | Transfer Modes.....   | 381        |

|   |  |            |
|---|--|------------|
| 8.4.6   | Repeat Area Function .....                                     | 383        |
| 8.4.7   | Registers during DMA Transfer Operation.....                   | 385        |
| 8.4.8   | Channel Priority Order.....                                    | 390        |
| 8.4.9   | EXDMAC Bus Cycles (Dual Address Mode).....                     | 393        |
| 8.4.10  | EXDMAC Bus Cycles (Single Address Mode) .....                  | 400        |
| 8.4.11  | Examples of Operation Timing in Each Mode.....                 | 405        |
| 8.4.12  | Ending DMA Transfer .....                                      | 418        |
| 8.4.13  | Relationship between EXDMAC and Other Bus Masters .....        | 419        |
| 8.5   | Interrupt Sources .....  | 420        |
| 8.6   | Usage Notes .....  | 422        |
| 8.6.1   | EXDMAC Register Access during Operation .....                  | 422        |
| 8.6.2   | Module Stop State.....   | 422        |
| 8.6.3   | $\overline{\text{EDREQ}}$ Pin Falling Edge Activation.....     | 422        |
| 8.6.4   | Activation Source Acceptance .....                             | 423        |
| 8.6.5   | <u>Enabling</u> Interrupt Requests when IRF = 1 in EDMDR ..... | 423        |
| 8.6.6   | $\overline{\text{ETEND}}$ Pin and CBR Refresh Cycle.....       | 423        |
| <b>Section 9 Data Transfer Controller (DTC) .....</b> |  | <b>425</b> |
| 9.1   | Features .....   | 425        |
| 9.2   | Register Descriptions .....                                    | 427        |
| 9.2.1   | DTC Mode Register A (MRA) .....                                | 427        |
| 9.2.2   | DTC Mode Register B (MRB).....                                 | 429        |
| 9.2.3   | DTC Source Address Register (SAR).....                         | 429        |
| 9.2.4   | DTC Destination Address Register (DAR).....                    | 429        |
| 9.2.5   | DTC Transfer Count Register A (CRA) .....                      | 430        |
| 9.2.6   | DTC Transfer Count Register B (CRB).....                       | 430        |
| 9.2.7   | DTC Enable Registers A to H (DTCERA to DTCERH) .....           | 430        |
| 9.2.8   | DTC Vector Register (DTVECR).....                              | 431        |
| 9.3   | Activation Sources .....                                       | 432        |
| 9.4   | Location of Register Information and DTC Vector Table .....    | 433        |
| 9.5   | Operation.....   | 437        |
| 9.5.1   | Normal Mode.....   | 440        |
| 9.5.2   | Repeat Mode.....   | 441        |
| 9.5.3   | Block Transfer Mode .....                                      | 442        |
| 9.5.4   | Chain Transfer .....   | 443        |
| 9.5.5   | Interrupt Sources .....  | 444        |
| 9.5.6   | Operation Timing.....  | 444        |
| 9.5.7   | Number of DTC Execution States .....                           | 445        |
| 9.6   | Procedures for Using DTC.....                                  | 447        |
| 9.6.1   | Activation by Interrupt.....                                   | 447        |
| 9.6.2   | Activation by Software .....                                   | 447        |

|                   |  |            |
|-------------------|--|------------|
| 9.7               | Examples of Use of the DTC .....                 | 448        |
| 9.7.1             | Normal Mode .....                                | 448        |
| 9.7.2             | Chain Transfer .....                             | 449        |
| 9.7.3             | Chain Transfer when Counter = 0 .....            | 450        |
| 9.7.4             | Software Activation .....                        | 452        |
| 9.8               | Usage Notes .....                                | 452        |
| 9.8.1             | Module Stop Mode Setting .....                   | 452        |
| 9.8.2             | On-Chip RAM .....                                | 452        |
| 9.8.3             | DTCE Bit Setting .....                           | 453        |
| 9.8.4             | DMAC Transfer End Interrupt .....                | 453        |
| 9.8.5             | Chain Transfer .....                             | 453        |
| <b>Section 10</b> | <b>I/O Ports .....</b>                           | <b>455</b> |
| 10.1              | Port 1 .....                                     | 460        |
| 10.1.1            | Port 1 Data Direction Register (P1DDR) .....     | 460        |
| 10.1.2            | Port 1 Data Register (P1DR) .....                | 461        |
| 10.1.3            | Port 1 Register (PORT1) .....                    | 461        |
| 10.1.4            | Pin Functions .....                              | 462        |
| 10.2              | Port 2 .....                                     | 472        |
| 10.2.1            | Port 2 Data Direction Register (P2DDR) .....     | 472        |
| 10.2.2            | Port 2 Data Register (P2DR) .....                | 473        |
| 10.2.3            | Port 2 Register (PORT2) .....                    | 473        |
| 10.2.4            | Pin Functions .....                              | 474        |
| 10.3              | Port 3 .....                                     | 482        |
| 10.3.1            | Port 3 Data Direction Register (P3DDR) .....     | 482        |
| 10.3.2            | Port 3 Data Register (P3DR) .....                | 483        |
| 10.3.3            | Port 3 Register (PORT3) .....                    | 483        |
| 10.3.4            | Port 3 Open Drain Control Register (P3ODR) ..... | 484        |
| 10.3.5            | Port Function Control Register 2 (PFCR2) .....   | 485        |
| 10.3.6            | Pin Functions .....                              | 486        |
| 10.4              | Port 4 .....                                     | 489        |
| 10.4.1            | Port 4 Register (PORT4) .....                    | 489        |
| 10.4.2            | Pin Functions .....                              | 490        |
| 10.5              | Port 5 .....                                     | 491        |
| 10.5.1            | Port 5 Data Direction Register (P5DDR) .....     | 491        |
| 10.5.2            | Port 5 Data Register (P5DR) .....                | 491        |
| 10.5.3            | Port 5 Register (PORT5) .....                    | 492        |
| 10.5.4            | Pin Functions .....                              | 492        |
| 10.6              | Port 6 .....                                     | 494        |
| 10.6.1            | Port 6 Data Direction Register (P6DDR) .....     | 494        |
| 10.6.2            | Port 6 Data Register (P6DR) .....                | 495        |

|         |  |     |
|---------|--|-----|
| 10.6.3  | Port 6 Register (PORT6).....                     | 495 |
| 10.6.4  | Pin Functions .....                              | 496 |
| 10.7    | Port 8.....                                      | 499 |
| 10.7.1  | Port 8 Data Direction Register (P8DDR).....      | 499 |
| 10.7.2  | Port 8 Data Register (P8DR).....                 | 500 |
| 10.7.3  | Port 8 Register (PORT8).....                     | 500 |
| 10.7.4  | Pin Functions .....                              | 501 |
| 10.8    | Port 9.....                                      | 505 |
| 10.8.1  | Port 9 Register (PORT9).....                     | 505 |
| 10.8.2  | Pin Functions .....                              | 506 |
| 10.9    | Port A.....                                      | 507 |
| 10.9.1  | Port A Data Direction Register (PADDR) .....     | 507 |
| 10.9.2  | Port A Data Register (PADR).....                 | 508 |
| 10.9.3  | Port A Register (PORTA).....                     | 508 |
| 10.9.4  | Port A Pull-Up MOS Control Register (PAPCR)..... | 509 |
| 10.9.5  | Port A Open Drain Control Register (PAODR).....  | 509 |
| 10.9.6  | Port Function Control Register 1 (PFCR1).....    | 509 |
| 10.9.7  | Pin Functions .....                              | 511 |
| 10.9.8  | Port A Input Pull-Up MOS States.....             | 512 |
| 10.10   | Port B .....                                     | 513 |
| 10.10.1 | Port B Data Direction Register (PBDDR) .....     | 513 |
| 10.10.2 | Port B Data Register (PBDR) .....                | 514 |
| 10.10.3 | Port B Register (PORTB) .....                    | 514 |
| 10.10.4 | Port B Pull-Up MOS Control Register (PBPCR)..... | 515 |
| 10.10.5 | Pin Functions .....                              | 515 |
| 10.10.6 | Port B Input Pull-Up MOS States .....            | 516 |
| 10.11   | Port C .....                                     | 517 |
| 10.11.1 | Port C Data Direction Register (PCDDR) .....     | 517 |
| 10.11.2 | Port C Data Register (PCDR) .....                | 518 |
| 10.11.3 | Port C Register (PORTC) .....                    | 518 |
| 10.11.4 | Port C Pull-Up MOS Control Register (PCPCR)..... | 519 |
| 10.11.5 | Pin Functions .....                              | 519 |
| 10.11.6 | Port C Input Pull-Up MOS States .....            | 520 |
| 10.12   | Port D.....                                      | 521 |
| 10.12.1 | Port D Data Direction Register (PDDDR).....      | 521 |
| 10.12.2 | Port D Data Register (PDDR).....                 | 522 |
| 10.12.3 | Port D Register (PORTD).....                     | 522 |
| 10.12.4 | Port D Pull-up Control Register (PDPCR).....     | 523 |
| 10.12.5 | Pin Functions .....                              | 523 |
| 10.12.6 | Port D Input Pull-Up MOS States.....             | 524 |
| 10.13   | Port E .....                                     | 525 |

|                   |   |            |
|-------------------|---|------------|
| 10.13.1           | Port E Data Direction Register (PEDDR).....   | 525        |
| 10.13.2           | Port E Data Register (PEDR).....              | 526        |
| 10.13.3           | Port E Register (PORTE).....                  | 526        |
| 10.13.4           | Port E Pull-up Control Register (PEPCR) ..... | 527        |
| 10.13.5           | Pin Functions .....                           | 527        |
| 10.13.6           | Port E Input Pull-Up MOS States .....         | 528        |
| 10.14             | Port F.....                                   | 528        |
| 10.14.1           | Port F Data Direction Register (PFDDR) .....  | 529        |
| 10.14.2           | Port F Data Register (PFDR) .....             | 530        |
| 10.14.3           | Port F Register (PORTF) .....                 | 530        |
| 10.14.4           | Pin Functions .....                           | 531        |
| 10.15             | Port G.....                                   | 535        |
| 10.15.1           | Port G Data Direction Register (PGDDR).....   | 535        |
| 10.15.2           | Port G Data Register (PGDR).....              | 536        |
| 10.15.3           | Port G Register (PORTG).....                  | 536        |
| 10.15.4           | Port Function Control Register 0 (PFCR0)..... | 537        |
| 10.15.5           | Pin Functions .....                           | 537        |
| 10.16             | Port H.....                                   | 540        |
| 10.16.1           | Port H Data Direction Register (PHDDR).....   | 540        |
| 10.16.2           | Port H Data Register (PHDR).....              | 542        |
| 10.16.3           | Port H Register (PORTH).....                  | 542        |
| 10.16.4           | Pin Functions .....                           | 543        |
| <b>Section 11</b> | <b>16-Bit Timer Pulse Unit (TPU) .....</b>    | <b>545</b> |
| 11.1              | Features.....                                 | 545        |
| 11.2              | Input/Output Pins .....                       | 549        |
| 11.3              | Register Descriptions .....                   | 550        |
| 11.3.1            | Timer Control Register (TCR).....             | 552        |
| 11.3.2            | Timer Mode Register (TMDR).....               | 557        |
| 11.3.3            | Timer I/O Control Register (TIOR) .....       | 558        |
| 11.3.4            | Timer Interrupt Enable Register (TIER).....   | 576        |
| 11.3.5            | Timer Status Register (TSR).....              | 578        |
| 11.3.6            | Timer Counter (TCNT).....                     | 581        |
| 11.3.7            | Timer General Register (TGR) .....            | 581        |
| 11.3.8            | Timer Start Register (TSTR).....              | 581        |
| 11.3.9            | Timer Synchronous Register (TSYR).....        | 582        |
| 11.4              | Operation.....                                | 583        |
| 11.4.1            | Basic Functions .....                         | 583        |
| 11.4.2            | Synchronous Operation.....                    | 589        |
| 11.4.3            | Buffer Operation .....                        | 591        |
| 11.4.4            | Cascaded Operation .....                      | 596        |

|            |   |     |
|------------|---|-----|
| 11.4.5     | PWM Modes .....   | 598 |
| 11.4.6     | Phase Counting Mode .....   | 603 |
| 11.5       | Interrupt Sources .....   | 609 |
| 11.6       | DTC Activation.....   | 611 |
| 11.7       | DMAC Activation.....  | 611 |
| 11.8       | A/D Converter Activation .....  | 611 |
| 11.9       | Operation Timing .....  | 612 |
| 11.9.1     | Input/Output Timing .....   | 612 |
| 11.9.2     | Interrupt Signal Timing.....  | 615 |
| 11.10      | Usage Notes .....   | 619 |
| 11.10.1    | Module Stop Mode Setting .....  | 619 |
| 11.10.2    | Input Clock Restrictions .....  | 619 |
| 11.10.3    | Caution on Cycle Setting .....  | 620 |
| 11.10.4    | Contention between TCNT Write and Clear Operations .....                  | 620 |
| 11.10.5    | Contention between TCNT Write and Increment Operations.....               | 621 |
| 11.10.6    | Contention between TGR Write and Compare Match .....                      | 622 |
| 11.10.7    | Contention between Buffer Register Write and Compare Match .....          | 623 |
| 11.10.8    | Contention between TGR Read and Input Capture.....                        | 624 |
| 11.10.9    | Contention between TGR Write and Input Capture.....                       | 625 |
| 11.10.10   | Contention between Buffer Register Write and Input Capture .....          | 626 |
| 11.10.11   | Contention between Overflow/Underflow and Counter Clearing.....           | 627 |
| 11.10.12   | Contention between TCNT Write and Overflow/Underflow.....                 | 628 |
| 11.10.13   | Multiplexing of I/O Pins .....  | 629 |
| 11.10.14   | Interrupts and Module Stop Mode .....                                     | 629 |
| <br>       |   |     |
| Section 12 | Programmable Pulse Generator (PPG) .....                                  | 631 |
| 12.1       | Features .....  | 631 |
| 12.2       | Input/Output Pins .....   | 633 |
| 12.3       | Register Descriptions .....   | 633 |
| 12.3.1     | Next Data Enable Registers H, L (NDERH, NDERL).....                       | 634 |
| 12.3.2     | Output Data Registers H, L (PODRH, PODRL).....                            | 635 |
| 12.3.3     | Next Data Registers H, L (NDRH, NDRL) .....                               | 635 |
| 12.3.4     | PPG Output Control Register (PCR).....                                    | 638 |
| 12.3.5     | PPG Output Mode Register (PMR).....                                       | 639 |
| 12.4       | Operation.....  | 641 |
| 12.4.1     | Output Timing.....  | 642 |
| 12.4.2     | Sample Setup Procedure for Normal Pulse Output .....                      | 643 |
| 12.4.3     | Example of Normal Pulse Output (Example of Five-Phase Pulse Output) ..... | 644 |
| 12.4.4     | Non-Overlapping Pulse Output.....   | 645 |
| 12.4.5     | Sample Setup Procedure for Non-Overlapping Pulse Output .....             | 647 |

|  |  |            |
|--|--|------------|
| 12.4.6                                     | Example of Non-Overlapping Pulse Output (Example of Four-Phase Complementary Non-Overlapping Output) ..... | 648        |
| 12.4.7                                     | Inverted Pulse Output .....  | 650        |
| 12.4.8                                     | Pulse Output Triggered by Input Capture .....  | 651        |
| 12.5                                       | Usage Notes .....  | 651        |
| 12.5.1                                     | Module Stop Mode Setting .....   | 651        |
| 12.5.2                                     | Operation of Pulse Output Pins.....  | 651        |
| <b>Section 13 8-Bit Timers (TMR) .....</b> |  | <b>653</b> |
| 13.1                                       | Features.....  | 653        |
| 13.2                                       | Input/Output Pins .....  | 655        |
| 13.3                                       | Register Descriptions .....  | 655        |
| 13.3.1                                     | Timer Counter (TCNT).....  | 656        |
| 13.3.2                                     | Time Constant Register A (TCORA).....  | 656        |
| 13.3.3                                     | Time Constant Register B (TCORB) .....   | 656        |
| 13.3.4                                     | Timer Control Register (TCR).....  | 657        |
| 13.3.5                                     | Timer Control/Status Register (TCSR).....  | 659        |
| 13.4                                       | Operation.....   | 663        |
| 13.4.1                                     | Pulse Output.....  | 663        |
| 13.5                                       | Operation Timing .....   | 664        |
| 13.5.1                                     | TCNT Incrementation Timing .....   | 664        |
| 13.5.2                                     | Timing of CMFA and CMFB Setting when Compare-Match Occurs .....  | 665        |
| 13.5.3                                     | Timing of Timer Output when Compare-Match Occurs.....  | 666        |
| 13.5.4                                     | Timing of Compare Match Clear .....  | 666        |
| 13.5.5                                     | Timing of TCNT External Reset.....   | 667        |
| 13.5.6                                     | Timing of Overflow Flag (OVF) Setting .....  | 667        |
| 13.6                                       | Operation with Cascaded Connection .....   | 668        |
| 13.6.1                                     | 16-Bit Counter Mode .....  | 668        |
| 13.6.2                                     | Compare Match Count Mode.....  | 668        |
| 13.7                                       | Interrupt Sources .....  | 669        |
| 13.7.1                                     | Interrupt Sources and DTC Activation .....   | 669        |
| 13.7.2                                     | A/D Converter Activation.....  | 669        |
| 13.8                                       | Usage Notes .....  | 670        |
| 13.8.1                                     | Contention between TCNT Write and Clear.....   | 670        |
| 13.8.2                                     | Contention between TCNT Write and Increment .....  | 671        |
| 13.8.3                                     | Contention between TCOR Write and Compare Match .....  | 672        |
| 13.8.4                                     | Contention between Compare Matches A and B .....   | 673        |
| 13.8.5                                     | Switching of Internal Clocks and TCNT Operation.....   | 673        |
| 13.8.6                                     | Mode Setting with Cascaded Connection .....  | 675        |
| 13.8.7                                     | Interrupts in Module Stop Mode.....  | 675        |



|            |  |     |
|------------|--|-----|
| Section 14 | Watchdog Timer (WDT).....  | 677 |
| 14.1       | Features.....  | 677 |
| 14.2       | Input/Output Pin.....  | 678 |
| 14.3       | Register Descriptions.....   | 679 |
| 14.3.1     | Timer Counter (TCNT).....  | 679 |
| 14.3.2     | Timer Control/Status Register (TCSR).....                                      | 679 |
| 14.3.3     | Reset Control/Status Register (RSTCSR).....                                    | 681 |
| 14.4       | Operation.....   | 682 |
| 14.4.1     | Watchdog Timer Mode.....   | 682 |
| 14.4.2     | Interval Timer Mode.....   | 683 |
| 14.5       | Interrupt Source.....  | 684 |
| 14.6       | Usage Notes.....   | 684 |
| 14.6.1     | Notes on Register Access.....  | 684 |
| 14.6.2     | Contention between Timer Counter (TCNT) Write and Increment.....               | 686 |
| 14.6.3     | Changing Value of CKS2 to CKS0.....  | 686 |
| 14.6.4     | Switching between Watchdog Timer Mode and Interval Timer Mode.....             | 686 |
| 14.6.5     | Internal Reset in Watchdog Timer Mode.....                                     | 687 |
| 14.6.6     | System Reset by WDTOVF Signal.....   | 687 |
| Section 15 | Serial Communication Interface (SCI, IrDA).....                                | 689 |
| 15.1       | Features.....  | 689 |
| 15.2       | Input/Output Pins.....   | 692 |
| 15.3       | Register Descriptions.....   | 693 |
| 15.3.1     | Receive Shift Register (RSR).....  | 694 |
| 15.3.2     | Receive Data Register (RDR).....   | 694 |
| 15.3.3     | Transmit Data Register (TDR).....  | 694 |
| 15.3.4     | Transmit Shift Register (TSR).....   | 695 |
| 15.3.5     | Serial Mode Register (SMR).....  | 695 |
| 15.3.6     | Serial Control Register (SCR).....   | 698 |
| 15.3.7     | Serial Status Register (SSR).....  | 703 |
| 15.3.8     | Smart Card Mode Register (SCMR).....   | 710 |
| 15.3.9     | Bit Rate Register (BRR).....   | 711 |
| 15.3.10    | IrDA Control Register (IrCR).....  | 720 |
| 15.3.11    | Serial Extension Mode Register (SEMR).....                                     | 721 |
| 15.4       | Operation in Asynchronous Mode.....  | 723 |
| 15.4.1     | Data Transfer Format.....  | 723 |
| 15.4.2     | Receive Data Sampling Timing and Reception Margin<br>in Asynchronous Mode..... | 725 |
| 15.4.3     | Clock.....   | 726 |
| 15.4.4     | SCI Initialization (Asynchronous Mode).....                                    | 727 |
| 15.4.5     | Data Transmission (Asynchronous Mode).....                                     | 728 |

|  |   |     |
|--|---|-----|
| 15.4.6   | Serial Data Reception (Asynchronous Mode).....  | 730 |
| 15.5   | Multiprocessor Communication Function.....  | 734 |
| 15.5.1   | Multiprocessor Serial Data Transmission .....   | 735 |
| 15.5.2   | Multiprocessor Serial Data Reception .....  | 737 |
| 15.6   | Operation in Clocked Synchronous Mode .....   | 740 |
| 15.6.1   | Clock.....  | 740 |
| 15.6.2   | SCI Initialization (Clocked Synchronous Mode).....                                      | 741 |
| 15.6.3   | Serial Data Transmission (Clocked Synchronous Mode) .....                               | 741 |
| 15.6.4   | Serial Data Reception (Clocked Synchronous Mode).....                                   | 744 |
| 15.6.5   | Simultaneous Serial Data Transmission and Reception<br>(Clocked Synchronous Mode) ..... | 746 |
| 15.7   | Operation in Smart Card Interface Mode .....  | 748 |
| 15.7.1   | Pin Connection Example.....   | 748 |
| 15.7.2   | Data Format (Except for Block Transfer Mode).....                                       | 749 |
| 15.7.3   | Block Transfer Mode .....   | 750 |
| 15.7.4   | Receive Data Sampling Timing and Reception Margin.....                                  | 750 |
| 15.7.5   | Initialization .....  | 752 |
| 15.7.6   | Data Transmission (Except for Block Transfer Mode).....                                 | 753 |
| 15.7.7   | Serial Data Reception (Except for Block Transfer Mode).....                             | 755 |
| 15.7.8   | Clock Output Control.....   | 757 |
| 15.8   | IrDA Operation .....  | 759 |
| 15.9   | Interrupt Sources .....   | 762 |
| 15.9.1   | Interrupts in Normal Serial Communication Interface Mode.....                           | 762 |
| 15.9.2   | Interrupts in Smart Card Interface Mode .....   | 764 |
| 15.10  | Usage Notes .....   | 765 |
| 15.10.1  | Module Stop Mode Setting .....  | 765 |
| 15.10.2  | Break Detection and Processing .....  | 765 |
| 15.10.3  | Mark State and Break Sending.....   | 765 |
| 15.10.4  | Receive Error Flags and Transmit Operations<br>(Clocked Synchronous Mode Only).....     | 766 |
| 15.10.5  | Relation between Writes to TDR and the TDRE Flag .....                                  | 766 |
| 15.10.6  | Restrictions on Use of DMAC or DTC.....   | 766 |
| 15.10.7  | Operation in Case of Mode Transition.....   | 767 |
| Section 16 I <sup>2</sup> C Bus Interface 2 (IIC2) (Option)..... |   | 771 |
| 16.1   | Features .....  | 771 |
| 16.2   | Input/Output Pins .....   | 773 |
| 16.3   | Register Descriptions .....   | 774 |
| 16.3.1   | I <sup>2</sup> C Bus Control Register A (ICCRA).....                                    | 775 |
| 16.3.2   | I <sup>2</sup> C Bus Control Register B (ICCRB) .....                                   | 777 |
| 16.3.3   | I <sup>2</sup> C Bus Mode Register (ICMR).....  | 778 |

|                                   |   |         |
|-----------------------------------|---|---------|
| 16.3.4                            | I <sup>2</sup> C Bus Interrupt Enable Register (ICIER)..... | 780     |
| 16.3.5                            | I <sup>2</sup> C Bus Status Register (ICSR) .....           | 782     |
| 16.3.6                            | Slave address register (SAR) .....                          | 784     |
| 16.3.7                            | I <sup>2</sup> C Bus Transmit Data Register (ICDRT) .....   | 785     |
| 16.3.8                            | I <sup>2</sup> C Bus Receive Data Register (ICDRR).....     | 785     |
| 16.3.9                            | I <sup>2</sup> C Bus Shift Register (ICDRS).....            | 785     |
| 16.4                              | Operation.....  | 786     |
| 16.4.1                            | I <sup>2</sup> C Bus Format .....                           | 786     |
| 16.4.2                            | Master Transmit Operation .....                             | 787     |
| 16.4.3                            | Master Receive Operation.....                               | 789     |
| 16.4.4                            | Slave Transmit Operation .....                              | 791     |
| 16.4.5                            | Slave Receive Operation.....                                | 794     |
| 16.4.6                            | Noise Canceler.....   | 796     |
| 16.4.7                            | Example of Use.....   | 796     |
| 16.5                              | Interrupt Request.....                                      | 801     |
| 16.6                              | Bit Synchronous Circuit.....                                | 802     |
| 16.7                              | Usage Notes .....   | 803     |
| <br>Section 17 A/D Converter..... |   | <br>805 |
| 17.1                              | Features .....  | 805     |
| 17.2                              | Input/Output Pins .....                                     | 807     |
| 17.3                              | Register Description.....                                   | 808     |
| 17.3.1                            | A/D Data Registers A to H (ADDRA to ADDRH) .....            | 808     |
| 17.3.2                            | A/D Control/Status Register (ADCSR) .....                   | 809     |
| 17.3.3                            | A/D Control Register (ADCR) .....                           | 811     |
| 17.4                              | Operation.....  | 812     |
| 17.4.1                            | Single Mode.....  | 812     |
| 17.4.2                            | Scan Mode .....   | 812     |
| 17.4.3                            | Input Sampling and A/D Conversion Time.....                 | 813     |
| 17.4.4                            | External Trigger Input Timing .....                         | 815     |
| 17.5                              | Interrupt Source .....                                      | 816     |
| 17.6                              | A/D Conversion Accuracy Definitions .....                   | 816     |
| 17.7                              | Usage Notes .....   | 818     |
| 17.7.1                            | Module Stop Mode Setting .....                              | 818     |
| 17.7.2                            | Permissible Signal Source Impedance .....                   | 818     |
| 17.7.3                            | Influences on Absolute Precision.....                       | 819     |
| 17.7.4                            | Setting Range of Analog Power Supply and Other Pins .....   | 819     |
| 17.7.5                            | Notes on Board Design .....                                 | 819     |
| 17.7.6                            | Notes on Noise Countermeasures .....                        | 819     |

|            |   |     |
|------------|---|-----|
| Section 18 | D/A Converter .....   | 821 |
| 18.1       | Features .....  | 821 |
| 18.2       | Input/Output Pins .....   | 824 |
| 18.3       | Register Descriptions .....   | 825 |
| 18.3.1     | D/A Data Registers 0 to 5 (DADR0 to DADR5) .....                    | 825 |
| 18.3.2     | D/A Control Registers 01, 23, and 45 (DACR01, DACR23, DACR45) ..... | 825 |
| 18.4       | Operation.....  | 829 |
| 18.5       | Usage Notes .....   | 830 |
| 18.5.1     | Setting for Module Stop Mode.....                                   | 830 |
| 18.5.2     | D/A Output Hold Function in Software Standby Mode.....              | 830 |
| Section 19 | RAM .....   | 831 |
| Section 20 | Flash Memory (0.35- $\mu$ m F-ZTAT Version).....                    | 833 |
| 20.1       | Features .....  | 833 |
| 20.2       | Mode Transitions .....  | 834 |
| 20.3       | Block Configuration.....  | 838 |
| 20.4       | Input/Output Pins .....   | 840 |
| 20.5       | Register Descriptions .....   | 840 |
| 20.5.1     | Flash Memory Control Register 1 (FLMCR1).....                       | 840 |
| 20.5.2     | Flash Memory Control Register 2 (FLMCR2).....                       | 842 |
| 20.5.3     | Erase Block Register 1 (EBR1) .....                                 | 843 |
| 20.5.4     | Erase Block Register 2 (EBR2) .....                                 | 844 |
| 20.6       | On-Board Programming Modes .....                                    | 846 |
| 20.6.1     | Boot Mode .....   | 846 |
| 20.6.2     | User Program Mode.....  | 849 |
| 20.7       | Flash Memory Programming/Erasing .....                              | 850 |
| 20.7.1     | Program/Program-Verify .....  | 850 |
| 20.7.2     | Erase/Erase-Verify .....  | 852 |
| 20.7.3     | Interrupt Handling when Programming/Erasing Flash Memory.....       | 852 |
| 20.8       | Program/Erase Protection .....                                      | 854 |
| 20.8.1     | Hardware Protection .....   | 854 |
| 20.8.2     | Software Protection.....  | 854 |
| 20.8.3     | Error Protection.....   | 854 |
| 20.9       | Programmer Mode .....   | 855 |
| 20.10      | Power-Down States for Flash Memory.....                             | 855 |
| 20.11      | Usage Notes .....   | 856 |
| Section 21 | Flash Memory (0.18- $\mu$ m F-ZTAT Version).....                    | 861 |
| 21.1       | Features.....   | 861 |

|   |   |            |
|---|---|------------|
| 21.1.1  | Operating Mode .....  | 864        |
| 21.1.2  | Mode Comparison.....  | 865        |
| 21.1.3  | Flash MAT Configuration.....                                    | 866        |
| 21.1.4  | Block Division .....  | 867        |
| 21.1.5  | Programming/Erasing Interface .....                             | 868        |
| 21.2  | Input/Output Pins .....   | 870        |
| 21.3  | Register Descriptions .....                                     | 871        |
| 21.3.1  | Programming/Erasing Interface Register.....                     | 872        |
| 21.3.2  | Programming/Erasing Interface Parameter .....                   | 879        |
| 21.3.3  | Flash Vector Address Control Register (FVACR).....              | 889        |
| 21.4  | On-Board Programming Mode .....                                 | 891        |
| 21.4.1  | Boot Mode .....   | 891        |
| 21.4.2  | User Program Mode.....  | 895        |
| 21.4.3  | User Boot Mode.....   | 906        |
| 21.4.4  | Procedure Program and Storable Area for Programming Data .....  | 910        |
| 21.5  | Protection .....  | 920        |
| 21.5.1  | Hardware Protection .....                                       | 920        |
| 21.5.2  | Software Protection.....  | 921        |
| 21.5.3  | Error Protection.....   | 921        |
| 21.6  | Switching between User MAT and User Boot MAT .....              | 923        |
| 21.7  | Programmer Mode .....   | 924        |
| 21.8  | Serial Communication Interface Specification for Boot Mode..... | 924        |
| 21.9  | Usage Notes .....   | 952        |
| <b>Section 22 Masked ROM.....</b>             |   | <b>953</b> |
| <b>Section 23 Clock Pulse Generator .....</b> |   | <b>955</b> |
| 23.1  | Register Descriptions .....                                     | 955        |
| 23.1.1  | System Clock Control Register (SCKCR) .....                     | 955        |
| 23.1.2  | PLL Control Register (PLLCR).....                               | 957        |
| 23.2  | Oscillator.....   | 958        |
| 23.2.1  | Connecting a Crystal Resonator.....                             | 958        |
| 23.2.2  | External Clock Input .....                                      | 959        |
| 23.3  | PLL Circuit .....   | 961        |
| 23.4  | Frequency Divider.....  | 961        |
| 23.5  | Usage Notes .....   | 962        |
| 23.5.1  | Notes on Clock Pulse Generator .....                            | 962        |
| 23.5.2  | Notes on Resonator.....   | 962        |
| 23.5.3  | Notes on Board Design .....                                     | 963        |

|            |   |      |
|------------|---|------|
| Section 24 | Power-Down Modes .....  | 965  |
| 24.1       | Register Descriptions .....   | 968  |
| 24.1.1     | Standby Control Register (SBYCR) .....  | 968  |
| 24.1.2     | Module Stop Control Registers H and L (MSTPCRH, MSTPCRL).....   | 970  |
| 24.1.3     | Extension Module Stop Control Registers H and L<br>(EXMSTPCRH, EXMSTPCRL) .....                           | 971  |
| 24.2       | Operation.....  | 972  |
| 24.2.1     | Clock Division Mode .....   | 972  |
| 24.2.2     | Sleep Mode .....  | 973  |
| 24.2.3     | Software Standby Mode.....  | 973  |
| 24.2.4     | Hardware Standby Mode .....   | 976  |
| 24.2.5     | Module Stop Mode .....  | 978  |
| 24.2.6     | All-Module-Clocks-Stop Mode .....   | 978  |
| 24.3       | $\phi$ Clock Output Control.....  | 979  |
| 24.4       | Usage Notes .....   | 979  |
| 24.4.1     | I/O Port Status.....  | 979  |
| 24.4.2     | Current Dissipation during Oscillation Stabilization Standby Period.....                                  | 979  |
| 24.4.3     | EXDMAC, DMAC, and DTC Module Stop.....  | 980  |
| 24.4.4     | On-Chip Peripheral Module Interrupts .....  | 980  |
| 24.4.5     | Writing to MSTPCR, EXMSTPCR .....   | 980  |
| 24.4.6     | Notes on Clock Division Mode.....   | 980  |
| Section 25 | List of Registers.....  | 981  |
| 25.1       | Register Addresses (Address Order).....   | 981  |
| 25.2       | Register Bits.....  | 993  |
| 25.3       | Register States in Each Operating Mode.....   | 1007 |
| Section 26 | Electrical Characteristics .....  | 1019 |
| 26.1       | Electrical Characteristics for H8S/2377, H8S/2375, H8S/2373, H8S/2377R,<br>H8S/2375R, and H8S/2373R ..... | 1019 |
| 26.1.1     | Absolute Maximum Ratings .....  | 1019 |
| 26.1.2     | DC Characteristics .....  | 1020 |
| 26.1.3     | AC Characteristics .....  | 1023 |
| 26.1.4     | A/D Conversion Characteristics.....   | 1032 |
| 26.1.5     | D/A Conversion Characteristics.....   | 1032 |
| 26.1.6     | Flash Memory Characteristics .....  | 1033 |
| 26.1.7     | Usage Note.....   | 1034 |
| 26.2       | Electrical Characteristics for H8S/2378.....  | 1035 |
| 26.2.1     | Absolute Maximum Ratings .....  | 1035 |
| 26.2.2     | DC Characteristics .....  | 1036 |

|                |  |      |
|----------------|--|------|
| 26.2.3         | AC Characteristics .....   | 1039 |
| 26.2.4         | A/D Conversion Characteristics.....  | 1048 |
| 26.2.5         | D/A Conversion Characteristics.....  | 1048 |
| 26.2.6         | Flash Memory Characteristics .....   | 1049 |
| 26.3           | Electrical Characteristics for H8S/2374, H8S/2372, H8S/2371, H8S/2370,<br>H8S/2378R, H8S/2374R, H8S/2372R, H8S/2371R, H8S/2370R..... | 1050 |
| 26.3.1         | Absolute Maximum Ratings .....   | 1050 |
| 26.3.2         | DC Characteristics .....   | 1051 |
| 26.3.3         | AC Characteristics .....   | 1054 |
| 26.3.4         | A/D Conversion Characteristics.....  | 1063 |
| 26.3.5         | D/A Conversion Characteristics.....  | 1063 |
| 26.3.6         | Flash Memory Characteristics .....   | 1064 |
| 26.4           | Timing Charts .....  | 1067 |
| 26.4.1         | Clock Timing .....   | 1067 |
| 26.4.2         | Control Signal Timing .....  | 1069 |
| 26.4.3         | Bus Timing .....   | 1070 |
| 26.4.4         | DMAC and EXDMAC Timing.....  | 1088 |
| 26.4.5         | Timing of On-Chip Peripheral Modules .....   | 1091 |
| Appendix ..... |  | 1095 |
| A.             | I/O Port States in Each Pin State.....   | 1095 |
| B.             | Product Lineup.....  | 1105 |
| C.             | Package Dimensions .....   | 1106 |
| D.             | Bus State during Execution of Instructions.....  | 1108 |
| Index .....    |  | 1131 |





# Figures

|             |  |    |
|-------------|--|----|
| Section 1   | Overview .....   | 1  |
| Figure 1.1  | Internal Block Diagram for H8S/2378 0.18 $\mu$ m F-ZTAT Group<br>and H8S/2378R 0.18 $\mu$ m F-ZTAT Group ..... | 3  |
| Figure 1.2  | Internal Block Diagram for H8S/2377 and H8S/2377R .....  | 4  |
| Figure 1.3  | Internal Block Diagram for H8S/2375 and H8S/2375R .....  | 5  |
| Figure 1.4  | Internal Block Diagram for H8S/2373 and H8S/2373R .....  | 6  |
| Figure 1.5  | Pin Arrangement for H8S/2378 0.18 $\mu$ m F-ZTAT Group<br>and H8S/2378R 0.18 $\mu$ m F-ZTAT Group .....        | 7  |
| Figure 1.6  | Pin Arrangement for H8S/2377 and H8S/2377R .....   | 8  |
| Figure 1.7  | Pin Arrangement for H8S/2375 and H8S/2375R .....   | 9  |
| Figure 1.8  | Pin Arrangement for H8S/2373 and H8S/2373R .....   | 10 |
| Figure 1.9  | Pin Arrangement (TLP-145V: Top View) .....   | 11 |
| Section 2   | CPU .....  | 35 |
| Figure 2.1  | Exception Vector Table (Normal Mode) .....   | 39 |
| Figure 2.2  | Stack Structure in Normal Mode .....   | 39 |
| Figure 2.3  | Exception Vector Table (Advanced Mode) .....   | 40 |
| Figure 2.4  | Stack Structure in Advanced Mode .....   | 41 |
| Figure 2.5  | Memory Map .....   | 42 |
| Figure 2.6  | CPU Internal Registers .....   | 43 |
| Figure 2.7  | Usage of General Registers .....   | 44 |
| Figure 2.8  | Stack .....  | 45 |
| Figure 2.9  | General Register Data Formats (1) .....  | 48 |
| Figure 2.9  | General Register Data Formats (2) .....  | 49 |
| Figure 2.10 | Memory Data Formats .....  | 50 |
| Figure 2.11 | Instruction Formats (Examples) .....   | 62 |
| Figure 2.12 | Branch Address Specification in Memory Indirect Addressing Mode .....  | 65 |
| Figure 2.13 | State Transitions .....  | 69 |
| Section 3   | MCU Operating Modes .....  | 71 |
| Figure 3.1  | Memory Map for H8S/2378 and H8S/2378R (1) .....  | 78 |
| Figure 3.2  | Memory Map for H8S/2378 and H8S/2378R (2) .....  | 79 |
| Figure 3.3  | Memory Map for H8S/2377 and H8S/2377R (1) .....  | 80 |
| Figure 3.4  | Memory Map for H8S/2377 and H8S/2377R (2) .....  | 81 |
| Figure 3.5  | Memory Map for H8S/2375 and H8S/2375R (1) .....  | 82 |
| Figure 3.6  | Memory Map for H8S/2375 and H8S/2375R (2) .....  | 83 |
| Figure 3.7  | Memory Map for H8S/2374 and H8S/2374R (1) .....  | 84 |
| Figure 3.8  | Memory Map for H8S/2374 and H8S/2374R (2) .....  | 85 |

|                  |   |            |
|------------------|---|------------|
| Figure 3.9       | Memory Map for H8S/2373 and H8S/2373R.....  | 86         |
| Figure 3.10      | Memory Map for H8S/2372 and H8S/2372R (1).....  | 87         |
| Figure 3.11      | Memory Map for H8S/2372 and H8S/2372R (2).....  | 88         |
| Figure 3.12      | Memory Map for H8S/2371 and H8S/2371R (1).....  | 89         |
| Figure 3.13      | Memory Map for H8S/2371 and H8S/2371R (2).....  | 90         |
| Figure 3.14      | Memory Map for H8S/2370 and H8S/2370R (1).....  | 91         |
| Figure 3.15      | Memory Map for H8S/2370 and H8S/2370R (2).....  | 92         |
| <b>Section 4</b> | <b>Exception Handling .....</b>   | <b>93</b>  |
| Figure 4.1       | Reset Sequence (Advanced Mode with On-chip ROM Enabled).....  | 96         |
| Figure 4.2       | Reset Sequence (Advanced Mode with On-chip ROM Disabled) .....  | 97         |
| Figure 4.3       | Stack Status after Exception Handling .....   | 100        |
| Figure 4.4       | Operation when SP Value Is Odd.....   | 101        |
| <b>Section 5</b> | <b>Interrupt Controller.....</b>  | <b>103</b> |
| Figure 5.1       | Block Diagram of Interrupt Controller.....  | 104        |
| Figure 5.2       | Block Diagram of Interrupts IRQ15 to IRQ0.....  | 121        |
| Figure 5.3       | Flowchart of Procedure Up to Interrupt Acceptance in Interrupt Control Mode 0.  | 128        |
| Figure 5.4       | Flowchart of Procedure Up to Interrupt Acceptance in Interrupt Control Mode 2.  | 130        |
| Figure 5.5       | Interrupt Exception Handling .....  | 131        |
| Figure 5.6       | Conflict between Interrupt Generation and Disabling.....  | 134        |
| <b>Section 6</b> | <b>Bus Controller (BSC) .....</b>   | <b>137</b> |
| Figure 6.1       | Block Diagram of Bus Controller.....  | 138        |
| Figure 6.2       | Read Strobe Negation Timing (Example of 3-State Access Space).....  | 150        |
| Figure 6.3       | $\overline{CS}$ and Address Assertion Period Extension<br>(Example of 3-State Access Space and $RDNn = 0$ ) .....           | 152        |
| Figure 6.4       | $\overline{RAS}$ Signal Assertion Timing (2-State Column Address Output Cycle,<br>Full Access).....                         | 163        |
| Figure 6.5       | CAS Latency Control Cycle Disable Timing during Continuous Synchronous<br>DRAM Space Write Access (for CAS Latency 2) ..... | 166        |
| Figure 6.6       | Area Divisions.....   | 171        |
| Figure 6.7       | $\overline{CSn}$ Signal Output Timing ( $n = 0$ to 7).....  | 176        |
| Figure 6.8       | Access Sizes and Data Alignment Control (8-Bit Access Space) .....  | 177        |
| Figure 6.9       | Access Sizes and Data Alignment Control (16-Bit Access Space) .....   | 177        |
| Figure 6.10      | Bus Timing for 8-Bit, 2-State Access Space .....  | 179        |
| Figure 6.11      | Bus Timing for 8-Bit, 3-State Access Space .....  | 180        |
| Figure 6.12      | Bus Timing for 16-Bit, 2-State Access Space (Even Address Byte Access).....   | 181        |
| Figure 6.13      | Bus Timing for 16-Bit, 2-State Access Space (Odd Address Byte Access).....  | 182        |
| Figure 6.14      | Bus Timing for 16-Bit, 2-State Access Space (Word Access) .....   | 183        |
| Figure 6.15      | Bus Timing for 16-Bit, 3-State Access Space (Even Address Byte Access).....   | 184        |

|             |   |     |
|-------------|---|-----|
| Figure 6.16 | Bus Timing for 16-Bit, 3-State Access Space (Odd Address Byte Access).....  | 185 |
| Figure 6.17 | Bus Timing for 16-Bit, 3-State Access Space (Word Access) .....   | 186 |
| Figure 6.18 | Example of Wait State Insertion Timing .....  | 188 |
| Figure 6.19 | Example of Read Strobe Timing .....   | 189 |
| Figure 6.20 | Example of Timing when Chip Select Assertion Period Is Extended .....   | 190 |
| Figure 6.21 | DRAM Basic Access Timing (RAST = 0, CAST = 0).....  | 194 |
| Figure 6.22 | Example of Access Timing with 3-State Column Address Output Cycle<br>(RAST = 0).....  | 195 |
| Figure 6.23 | Example of Access Timing when RAS Signal Goes Low from Beginning<br>of $T_r$ State (CAST = 0) .....                               | 196 |
| Figure 6.24 | Example of Timing with One Row Address Output Maintenance State<br>(RAST = 0, CAST = 0) .....                                     | 197 |
| Figure 6.25 | Example of Timing with Two-State Precharge Cycle (RAST = 0, CAST = 0).....  | 198 |
| Figure 6.26 | Example of Wait State Insertion Timing (2-State Column Address Output) .....  | 200 |
| Figure 6.27 | Example of Wait State Insertion Timing (3-State Column Address Output) .....  | 201 |
| Figure 6.28 | 2-CAS Control Timing (Upper Byte Write Access: RAST = 0, CAST = 0).....   | 202 |
| Figure 6.29 | Example of 2-CAS DRAM Connection .....  | 203 |
| Figure 6.30 | Operation Timing in Fast Page Mode (RAST = 0, CAST = 0) .....   | 204 |
| Figure 6.31 | Operation Timing in Fast Page Mode (RAST = 0, CAST = 1) .....   | 205 |
| Figure 6.32 | Example of Operation Timing in RAS Down Mode (RAST = 0, CAST = 0).....  | 206 |
| Figure 6.33 | Example of Operation Timing in RAS Up Mode (RAST = 0, CAST = 0).....  | 207 |
| Figure 6.34 | RTCNT Operation.....  | 208 |
| Figure 6.35 | Compare Match Timing .....  | 209 |
| Figure 6.36 | CBR Refresh Timing.....   | 209 |
| Figure 6.37 | CBR Refresh Timing (RCW1 = 0, RCW0 = 1, RLW1 = 0, RLW0 = 0).....  | 210 |
| Figure 6.38 | Example of CBR Refresh Timing (CBRM = 1) .....  | 211 |
| Figure 6.39 | Self-Refresh Timing .....   | 212 |
| Figure 6.40 | Example of Timing when Precharge Time after Self-Refreshing Is Extended<br>by 2 States .....                                      | 213 |
| Figure 6.41 | Example of $\overline{\text{DACK}}/\overline{\text{EDACK}}$ Output Timing when DDS = 1 or ED DS = 1<br>(RAST = 0, CAST = 0) ..... | 214 |
| Figure 6.42 | Example of $\overline{\text{DACK}}/\overline{\text{EDACK}}$ Output Timing when DDS = 0 or ED DS = 0<br>(RAST = 0, CAST = 1) ..... | 215 |
| Figure 6.43 | Relationship between $\phi$ and SDRAM $\phi$ (when PLL Frequency Multiplication<br>Factor Is $\times 1$ or $\times 2$ ).....      | 220 |
| Figure 6.44 | Basic Access Timing of Synchronous DRAM (CAS Latency 1).....  | 221 |
| Figure 6.45 | CAS Latency Control Timing (SDWCD = 0, CAS Latency 3).....  | 223 |
| Figure 6.46 | Example of Access Timing when Row Address Output Hold State Is 1 State<br>(RCD1 = 0, RCD0 = 1, SDWCD = 0, CAS Latency 2) .....    | 224 |
| Figure 6.47 | Example of Timing with Two-State Precharge Cycle<br>(TPC1 = 0, TPC0 = 1, SDWCD = 0, CAS Latency 2) .....                          | 226 |

|             |   |     |
|-------------|---|-----|
| Figure 6.48 | Example of Write Access Timing when CAS Latency Control Cycle Is Disabled (SDWCD = 1) .....   | 227 |
| Figure 6.49 | DQMU and DQML Control Timing (Upper Byte Write Access: SDWCD = 0, CAS Latency 2) .....  | 228 |
| Figure 6.50 | DQMU and DQML Control Timing (Lower Byte Read Access: CAS Latency 2).....   | 229 |
| Figure 6.51 | Example of DQMU and DQML Byte Control .....   | 230 |
| Figure 6.52 | Operation Timing of Burst Access (BE = 1, SDWCD = 0, CAS Latency 2) .....   | 232 |
| Figure 6.53 | Example of Operation Timing in RAS Down Mode (BE = 1, CAS Latency 2).....   | 234 |
| Figure 6.54 | Auto Refresh Timing .....   | 235 |
| Figure 6.55 | Auto Refresh Timing (TPC = 1, TPC0 = 1, RCW1 = 0, RCW0 = 1).....  | 236 |
| Figure 6.56 | Auto Refresh Timing (TPC = 0, TPC0 = 0, RLW1 = 0, RLW0 = 1) .....   | 237 |
| Figure 6.57 | Self-Refresh Timing (TPC1 = 1, TPC0 = 0, RCW1 = 0, RCW0 = 0, RLW1 = 0, RLW0 = 0) .....  | 238 |
| Figure 6.58 | Example of Timing when Precharge Time after Self-Refreshing Is Extended by 2 States (TPCS2 to TPCS0 = H'2, TPC1 = 0, TPC0 = 0, CAS Latency 2) ..... | 239 |
| Figure 6.59 | Synchronous DRAM Mode Setting Timing .....  | 240 |
| Figure 6.60 | Example of $\overline{\text{DACK}}/\overline{\text{EDACK}}$ Output Timing when DDS = 1 or EDDS = 1 .....  | 242 |
| Figure 6.61 | Example of $\overline{\text{DACK}}/\overline{\text{EDACK}}$ Output Timing when DDS = 0 or EDDS = 0 .....  | 244 |
| Figure 6.62 | Example of Timing when the Read Data Is Extended by Two States (DDS = 1, or EDDS = 1, RDXC1 = 0, RDXC0 = 1, CAS Latency 2) .....                    | 245 |
| Figure 6.63 | Example of Burst ROM Access Timing (ASTn = 1, 2-State Burst Cycle) .....  | 247 |
| Figure 6.64 | Example of Burst ROM Access Timing (ASTn = 0, 1-State Burst Cycle) .....  | 248 |
| Figure 6.65 | Example of Idle Cycle Operation (Consecutive Reads in Different Areas) .....  | 249 |
| Figure 6.66 | Example of Idle Cycle Operation (Write after Read).....   | 250 |
| Figure 6.67 | Example of Idle Cycle Operation (Read after Write).....   | 251 |
| Figure 6.68 | Relationship between Chip Select ( $\overline{\text{CS}}$ ) and Read ( $\overline{\text{RD}}$ ) .....   | 252 |
| Figure 6.69 | Example of DRAM Full Access after External Read (CAST = 0).....   | 253 |
| Figure 6.70 | Example of Idle Cycle Operation in RAS Down Mode (Consecutive Reads in Different Areas) (IDLC = 0, RAST = 0, CAST = 0).....                         | 254 |
| Figure 6.71 | Example of Idle Cycle Operation in RAS Down Mode (Write after Read) (IDLC = 0, RAST = 0, CAST = 0).....   | 254 |
| Figure 6.72 | Example of Synchronous DRAM Full Access after External Read (CAS Latency 2).....  | 255 |
| Figure 6.73 | Example of Idle Cycle Operation in RAS Down Mode (Read in Different Area) (IDLC = 0, CAS Latency 2) .....   | 256 |
| Figure 6.74 | Example of Idle Cycle Operation in RAS Down Mode (Read in Different Area) (IDLC = 1, CAS Latency 2) .....   | 257 |
| Figure 6.75 | Example of Idle Cycle Operation in RAS Down Mode (Write after Read) (IDLC = 0, CAS Latency 2) .....   | 258 |

|                  |  |            |
|------------------|--|------------|
| Figure 6.76      | Example of Idle Cycle Operation after DRAM Access<br>(Consecutive Reads in Different Areas) (IDL <sub>C</sub> = 0, RAST = 0, CAST = 0) .....   | 259        |
| Figure 6.77      | Example of Idle Cycle Operation after DRAM Access<br>(Write after Read) (IDL <sub>C</sub> = 0, RAST = 0, CAST = 0) .....   | 260        |
| Figure 6.78      | Example of Idle Cycle Operation after DRAM Write Access<br>(IDL <sub>C</sub> = 0, ICIS1 = 0, RAST = 0, CAST = 0) .....   | 261        |
| Figure 6.79      | Example of Idle Cycle Operation after Continuous Synchronous DRAM Space<br>Read Access (Read between Different Area) (IDL <sub>C</sub> = 0, CAS Latency 2) .....                       | 262        |
| Figure 6.80      | Example of Idle Cycle Operation after Continuous Synchronous DRAM Space<br>Write Access (IDL <sub>C</sub> = 0, ICIS1 = 0, SDWCD = 1, CAS Latency 2) .....                              | 263        |
| Figure 6.81      | Example of Timing for Idle Cycle Insertion in Case of Consecutive Read and<br>Write Accesses to DRAM Space in RAS Down Mode .....  | 266        |
| Figure 6.82      | Example of Timing for Idle Cycle Insertion in Case of Consecutive Read<br>and Write Accesses to Continuous Synchronous DRAM Space in RAS Down<br>Mode (SDWCD = 1, CAS Latency 2) ..... | 267        |
| Figure 6.83      | Example of Timing when Write Data Buffer Function Is Used .....  | 269        |
| Figure 6.84      | Bus Released State Transition Timing .....   | 272        |
| Figure 6.85      | Bus Release State Transition Timing when Synchronous DRAM Interface .....  | 273        |
| <b>Section 7</b> | <b>DMA Controller (DMAC) .....</b>   | <b>279</b> |
| Figure 7.1       | Block Diagram of DMAC .....  | 280        |
| Figure 7.2       | Areas for Register Re-Setting by DTC (Channel 0A) .....  | 305        |
| Figure 7.3       | Operation in Sequential Mode .....   | 313        |
| Figure 7.4       | Example of Sequential Mode Setting Procedure .....   | 314        |
| Figure 7.5       | Operation in Idle Mode .....   | 315        |
| Figure 7.6       | Example of Idle Mode Setting Procedure .....   | 316        |
| Figure 7.7       | Operation in Repeat mode .....   | 318        |
| Figure 7.8       | Example of Repeat Mode Setting Procedure .....   | 319        |
| Figure 7.9       | Operation in Single Address Mode (When Sequential Mode Is Specified) .....   | 321        |
| Figure 7.10      | Example of Single Address Mode Setting Procedure<br>(When Sequential Mode Is Specified) .....  | 322        |
| Figure 7.11      | Operation in Normal Mode .....   | 324        |
| Figure 7.12      | Example of Normal Mode Setting Procedure .....   | 325        |
| Figure 7.13      | Operation in Block Transfer Mode (BLKDIR = 0) .....  | 327        |
| Figure 7.14      | Operation in Block Transfer Mode (BLKDIR = 1) .....  | 328        |
| Figure 7.15      | Operation Flow in Block Transfer Mode .....  | 329        |
| Figure 7.16      | Example of Block Transfer Mode Setting Procedure .....   | 330        |
| Figure 7.17      | Example of DMA Transfer Bus Timing .....   | 331        |
| Figure 7.18      | Example of Short Address Mode Transfer .....   | 332        |
| Figure 7.19      | Example of Full Address Mode Transfer (Cycle Steal) .....  | 333        |
| Figure 7.20      | Example of Full Address Mode Transfer (Burst Mode) .....   | 334        |

|                  |   |            |
|------------------|---|------------|
| Figure 7.21      | Example of Full Address Mode Transfer (Block Transfer Mode) .....                             | 335        |
| Figure 7.22      | Example of <u>DREQ</u> Pin Falling Edge Activated Normal Mode Transfer.....                   | 336        |
| Figure 7.23      | Example of <u>DREQ</u> Pin Falling Edge Activated Block Transfer Mode Transfer .....          | 337        |
| Figure 7.24      | Example of <u>DREQ</u> Pin Low Level Activated Normal Mode Transfer.....                      | 338        |
| Figure 7.25      | Example of <u>DREQ</u> Pin Low Level Activated Block Transfer Mode Transfer .....             | 339        |
| Figure 7.26      | Example of Single Address Mode Transfer (Byte Read) .....                                     | 340        |
| Figure 7.27      | Example of Single Address Mode (Word Read) Transfer.....                                      | 341        |
| Figure 7.28      | Example of Single Address Mode Transfer (Byte Write) .....                                    | 342        |
| Figure 7.29      | Example of Single Address Mode Transfer (Word Write).....                                     | 343        |
| Figure 7.30      | Example of <u>DREQ</u> Pin Falling Edge Activated Single Address Mode Transfer.....           | 344        |
| Figure 7.31      | Example of <u>DREQ</u> Pin Low Level Activated Single Address Mode Transfer.....              | 345        |
| Figure 7.32      | Example of Dual Address Transfer Using Write Data Buffer Function.....                        | 346        |
| Figure 7.33      | Example of Single Address Transfer Using Write Data Buffer Function .....                     | 347        |
| Figure 7.34      | Example of Multi-Channel Transfer .....   | 348        |
| Figure 7.35      | Example of Procedure for Continuing Transfer on Channel Interrupted<br>by NMI Interrupt ..... | 350        |
| Figure 7.36      | Example of Procedure for Forcibly Terminating DMAC Operation.....                             | 351        |
| Figure 7.37      | Example of Procedure for Clearing Full Address Mode .....                                     | 352        |
| Figure 7.38      | Block Diagram of Transfer End/Transfer Break Interrupt .....                                  | 353        |
| Figure 7.39      | DMAC Register Update Timing .....   | 354        |
| Figure 7.40      | Contention between DMAC Register Update and CPU Read.....                                     | 355        |
| Figure 7.41      | Example in which Low Level Is Not Output at <u>TEND</u> Pin .....                             | 357        |
| <b>Section 8</b> | <b>EXDMA Controller (EXDMAC) .....</b>  | <b>359</b> |
| Figure 8.1       | Block Diagram of EXDMAC.....  | 360        |
| Figure 8.2       | Example of Timing in Dual Address Mode.....   | 376        |
| Figure 8.3       | Data Flow in Single Address Mode.....   | 377        |
| Figure 8.4       | Example of Timing in Single Address Mode .....  | 378        |
| Figure 8.5       | Example of Timing in Cycle Steal Mode .....   | 380        |
| Figure 8.6       | Examples of Timing in Burst Mode .....  | 381        |
| Figure 8.7       | Examples of Timing in Normal Transfer Mode .....  | 382        |
| Figure 8.8       | Example of Timing in Block Transfer Mode .....  | 383        |
| Figure 8.9       | Example of Repeat Area Function Operation.....  | 384        |
| Figure 8.10      | Example of Repeat Area Function Operation in Block Transfer Mode .....                        | 385        |
| Figure 8.11      | EDTCR Update Operations in Normal Transfer Mode and<br>Block Transfer Mode.....               | 388        |
| Figure 8.12      | Procedure for Changing Register Settings in Operating Channel .....                           | 389        |
| Figure 8.13      | Example of Channel Priority Timing .....  | 391        |
| Figure 8.14      | Examples of Channel Priority Timing.....  | 392        |
| Figure 8.15      | Example of Normal Transfer Mode (Cycle Steal Mode) Transfer .....                             | 393        |
| Figure 8.16      | Example of Normal Transfer Mode (Burst Mode) Transfer.....                                    | 394        |

|             |   |     |
|-------------|---|-----|
| Figure 8.17 | Example of Block Transfer Mode (Cycle Steal Mode) Transfer.....   | 395 |
| Figure 8.18 | Example of Normal Mode Transfer Activated by $\overline{\text{EDREQ}}$ Pin Falling Edge .....                                       | 396 |
| Figure 8.19 | Example of Block Transfer Mode Transfer Activated<br>by $\overline{\text{EDREQ}}$ Pin Falling Edge.....                             | 397 |
| Figure 8.20 | Example of Normal Mode Transfer Activated<br>by $\overline{\text{EDREQ}}$ Pin Low Level.....  | 398 |
| Figure 8.21 | Example of Block Transfer Mode Transfer Activated by<br>$\overline{\text{EDREQ}}$ Pin Low Level.....                                | 399 |
| Figure 8.22 | Example of Single Address Mode (Byte Read) Transfer .....   | 400 |
| Figure 8.23 | Example of Single Address Mode (Word Read) Transfer.....  | 400 |
| Figure 8.24 | Example of Single Address Mode (Byte Write) Transfer .....  | 401 |
| Figure 8.25 | Example of Single Address Mode (Word Write) Transfer.....   | 402 |
| Figure 8.26 | Example of Single Address Mode Transfer Activated by<br>$\overline{\text{EDREQ}}$ Pin Falling Edge.....                             | 403 |
| Figure 8.27 | Example of Single Address Mode Transfer Activated by<br>$\overline{\text{EDREQ}}$ Pin Low Level.....                                | 404 |
| Figure 8.28 | Auto Request/Cycle Steal Mode/Normal Transfer Mode<br>(No Contention/Dual Address Mode) .....                                       | 405 |
| Figure 8.29 | Auto Request/Cycle Steal Mode/Normal Transfer Mode<br>(CPU Cycles/Single Address Mode).....   | 406 |
| Figure 8.30 | Auto Request/Cycle Steal Mode/Normal Transfer Mode<br>(Contention with Another Channel/Single Address Mode).....                    | 406 |
| Figure 8.31 | Auto Request/Burst Mode/Normal Transfer Mode<br>(CPU Cycles/Dual Address Mode/BGUP = 0).....  | 407 |
| Figure 8.32 | Auto Request/Burst Mode/Normal Transfer Mode<br>(CPU Cycles/Dual Address Mode/BGUP = 1).....  | 407 |
| Figure 8.33 | Auto Request/Burst Mode/Normal Transfer Mode<br>(CPU Cycles/Single Address Mode/BGUP = 1) .....                                     | 408 |
| Figure 8.34 | Auto Request/Burst Mode/Normal Transfer Mode<br>(Contention with Another Channel/Single Address Mode).....                          | 408 |
| Figure 8.35 | External Request/Cycle Steal Mode/Normal Transfer Mode<br>(No Contention/Dual Address Mode/Low Level Sensing).....                  | 409 |
| Figure 8.36 | External Request/Cycle Steal Mode/Normal Transfer Mode<br>(CPU Cycles/Single Address Mode/Low Level Sensing) .....                  | 410 |
| Figure 8.37 | External Request/Cycle Steal Mode/Normal Transfer Mode<br>(No Contention/Single Address Mode/Falling Edge Sensing) .....            | 410 |
| Figure 8.38 | External Request/Cycle Steal Mode/Normal Transfer Mode Contention<br>with Another Channel/Dual Address Mode/Low Level Sensing ..... | 411 |
| Figure 8.39 | External Request/Cycle Steal Mode/Block Transfer Mode<br>(No Contention/Dual Address Mode/Low Level Sensing/BGUP = 0).....          | 412 |



|                   |  |            |
|-------------------|--|------------|
| Figure 8.40       | External Request/Cycle Steal Mode/Block Transfer Mode<br>(No Contention/Single Address Mode/Falling Edge Sensing/BGUP = 0) .....     | 413        |
| Figure 8.41       | External Request/Cycle Steal Mode/Block Transfer Mode<br>(CPU Cycles/Single Address Mode/Low Level Sensing/BGUP = 0) .....           | 414        |
| Figure 8.42       | External Request/Cycle Steal Mode/Block Transfer Mode<br>(CPU Cycles/Dual Address Mode/Low Level Sensing/BGUP = 1).....              | 415        |
| Figure 8.43       | External Request/Cycle Steal Mode/Block Transfer Mode<br>(CPU Cycles/Single Address Mode/Low Level Sensing/BGUP = 1) .....           | 416        |
| Figure 8.44       | External Request/Cycle Steal Mode/Block Transfer Mode<br>(Contention with Another Channel/Dual Address Mode/Low Level Sensing) ..... | 417        |
| Figure 8.45       | Transfer End Interrupt Logic .....   | 420        |
| Figure 8.46       | Example of Procedure for Restarting Transfer on Channel<br>in which Transfer End Interrupt Occurred .....                            | 421        |
| <b>Section 9</b>  | <b>Data Transfer Controller (DTC) .....</b>  | <b>425</b> |
| Figure 9.1        | Block Diagram of DTC .....   | 426        |
| Figure 9.2        | Block Diagram of DTC Activation Source Control .....   | 433        |
| Figure 9.3        | Correspondence between DTC Vector Address and Register Information .....   | 434        |
| Figure 9.4        | Correspondence between DTC Vector Address and Register Information .....   | 434        |
| Figure 9.5        | Flowchart of DTC Operation .....   | 438        |
| Figure 9.6        | Memory Mapping in Normal Mode .....  | 440        |
| Figure 9.7        | Memory Mapping in Repeat Mode .....  | 441        |
| Figure 9.8        | Memory Mapping in Block Transfer Mode .....  | 442        |
| Figure 9.9        | Operation of Chain Transfer.....   | 443        |
| Figure 9.10       | DTC Operation Timing (Example in Normal Mode or Repeat Mode) .....   | 444        |
| Figure 9.11       | DTC Operation Timing (Example of Block Transfer Mode,<br>with Block Size of 2).....  | 445        |
| Figure 9.12       | DTC Operation Timing (Example of Chain Transfer) .....   | 445        |
| Figure 9.13       | Chain Transfer when Counter = 0 .....  | 451        |
| <b>Section 11</b> | <b>16-Bit Timer Pulse Unit (TPU) .....</b>   | <b>545</b> |
| Figure 11.1       | Block Diagram of TPU.....  | 548        |
| Figure 11.2       | Example of Counter Operation Setting Procedure .....   | 583        |
| Figure 11.3       | Free-Running Counter Operation.....  | 584        |
| Figure 11.4       | Periodic Counter Operation.....  | 585        |
| Figure 11.5       | Example of Setting Procedure for Waveform Output by Compare Match.....   | 586        |
| Figure 11.6       | Example of 0 Output/1 Output Operation .....   | 587        |
| Figure 11.7       | Example of Toggle Output Operation .....   | 587        |
| Figure 11.8       | Example of Setting Procedure for Input Capture Operation.....  | 588        |
| Figure 11.9       | Example of Input Capture Operation .....   | 589        |
| Figure 11.10      | Example of Synchronous Operation Setting Procedure .....   | 590        |



|  |     |
|--|-----|
| Figure 11.11 Example of Synchronous Operation.....                                   | 591 |
| Figure 11.12 Compare Match Buffer Operation.....                                     | 592 |
| Figure 11.13 Input Capture Buffer Operation.....                                     | 592 |
| Figure 11.14 Example of Buffer Operation Setting Procedure.....                      | 593 |
| Figure 11.15 Example of Buffer Operation (1) .....                                   | 594 |
| Figure 11.16 Example of Buffer Operation (2) .....                                   | 595 |
| Figure 11.17 Cascaded Operation Setting Procedure .....                              | 596 |
| Figure 11.18 Example of Cascaded Operation (1).....                                  | 597 |
| Figure 11.19 Example of Cascaded Operation (2).....                                  | 597 |
| Figure 11.20 Example of PWM Mode Setting Procedure .....                             | 600 |
| Figure 11.21 Example of PWM Mode Operation (1) .....                                 | 601 |
| Figure 11.22 Example of PWM Mode Operation (2) .....                                 | 601 |
| Figure 11.23 Example of PWM Mode Operation (3) .....                                 | 602 |
| Figure 11.24 Example of Phase Counting Mode Setting Procedure.....                   | 603 |
| Figure 11.25 Example of Phase Counting Mode 1 Operation .....                        | 604 |
| Figure 11.26 Example of Phase Counting Mode 2 Operation .....                        | 605 |
| Figure 11.27 Example of Phase Counting Mode 3 Operation .....                        | 606 |
| Figure 11.28 Example of Phase Counting Mode 4 Operation .....                        | 607 |
| Figure 11.29 Phase Counting Mode Application Example.....                            | 609 |
| Figure 11.30 Count Timing in Internal Clock Operation.....                           | 612 |
| Figure 11.31 Count Timing in External Clock Operation .....                          | 612 |
| Figure 11.32 Output Compare Output Timing .....                                      | 613 |
| Figure 11.33 Input Capture Input Signal Timing.....                                  | 613 |
| Figure 11.34 Counter Clear Timing (Compare Match) .....                              | 614 |
| Figure 11.35 Counter Clear Timing (Input Capture) .....                              | 614 |
| Figure 11.36 Buffer Operation Timing (Compare Match) .....                           | 615 |
| Figure 11.37 Buffer Operation Timing (Input Capture) .....                           | 615 |
| Figure 11.38 TGI Interrupt Timing (Compare Match) .....                              | 616 |
| Figure 11.39 TGI Interrupt Timing (Input Capture).....                               | 616 |
| Figure 11.40 TCIV Interrupt Setting Timing.....                                      | 617 |
| Figure 11.41 TCIU Interrupt Setting Timing.....                                      | 617 |
| Figure 11.42 Timing for Status Flag Clearing by CPU .....                            | 618 |
| Figure 11.43 Timing for Status Flag Clearing by DTC/DMAC Activation .....            | 618 |
| Figure 11.44 Phase Difference, Overlap, and Pulse Width in Phase Counting Mode ..... | 619 |
| Figure 11.45 Contention between TCNT Write and Clear Operations.....                 | 620 |
| Figure 11.46 Contention between TCNT Write and Increment Operations .....            | 621 |
| Figure 11.47 Contention between TGR Write and Compare Match .....                    | 622 |
| Figure 11.48 Contention between Buffer Register Write and Compare Match.....         | 623 |
| Figure 11.49 Contention between TGR Read and Input Capture .....                     | 624 |
| Figure 11.50 Contention between TGR Write and Input Capture .....                    | 625 |
| Figure 11.51 Contention between Buffer Register Write and Input Capture.....         | 626 |

|                   |  |            |
|-------------------|--|------------|
| Figure 11.52      | Contention between Overflow and Counter Clearing .....                       | 627        |
| Figure 11.53      | Contention between TCNT Write and Overflow.....                              | 628        |
| <b>Section 12</b> | <b>Programmable Pulse Generator (PPG) .....</b>                              | <b>631</b> |
| Figure 12.1       | Block Diagram of PPG.....  | 632        |
| Figure 12.2       | Overview Diagram of PPG.....   | 641        |
| Figure 12.3       | Timing of Transfer and Output of NDR Contents (Example) .....                | 642        |
| Figure 12.4       | Setup Procedure for Normal Pulse Output (Example) .....                      | 643        |
| Figure 12.5       | Normal Pulse Output Example (Five-Phase Pulse Output) .....                  | 644        |
| Figure 12.6       | Non-Overlapping Pulse Output .....   | 645        |
| Figure 12.7       | Non-Overlapping Operation and NDR Write Timing .....                         | 646        |
| Figure 12.8       | Setup Procedure for Non-Overlapping Pulse Output (Example).....              | 647        |
| Figure 12.9       | Non-Overlapping Pulse Output Example (Four-Phase Complementary).....         | 648        |
| Figure 12.10      | Inverted Pulse Output (Example) .....  | 650        |
| Figure 12.11      | Pulse Output Triggered by Input Capture (Example).....                       | 651        |
| <b>Section 13</b> | <b>8-Bit Timers (TMR) .....</b>  | <b>653</b> |
| Figure 13.1       | Block Diagram of 8-Bit Timer Module.....                                     | 654        |
| Figure 13.2       | Example of Pulse Output.....   | 663        |
| Figure 13.3       | Count Timing for Internal Clock Input.....                                   | 664        |
| Figure 13.4       | Count Timing for External Clock Input .....                                  | 664        |
| Figure 13.5       | Timing of CMF Setting.....   | 665        |
| Figure 13.6       | Timing of Timer Output.....  | 666        |
| Figure 13.7       | Timing of Compare Match Clear .....  | 666        |
| Figure 13.8       | Timing of Clearance by External Reset.....                                   | 667        |
| Figure 13.9       | Timing of OVF Setting.....   | 667        |
| Figure 13.10      | Contention between TCNT Write and Clear .....                                | 670        |
| Figure 13.11      | Contention between TCNT Write and Increment.....                             | 671        |
| Figure 13.12      | Contention between TCOR Write and Compare Match.....                         | 672        |
| <b>Section 14</b> | <b>Watchdog Timer (WDT) .....</b>  | <b>677</b> |
| Figure 14.1       | Block Diagram of WDT .....   | 678        |
| Figure 14.2       | Operation in Watchdog Timer Mode .....                                       | 683        |
| Figure 14.3       | Operation in Interval Timer Mode .....                                       | 684        |
| Figure 14.4       | Writing to TCNT, TCSR, and RSTCSR.....                                       | 685        |
| Figure 14.5       | Contention between TCNT Write and Increment.....                             | 686        |
| Figure 14.6       | Circuit for System Reset by $\overline{\text{WDTOVF}}$ Signal (Example)..... | 687        |
| <b>Section 15</b> | <b>Serial Communication Interface (SCI, IrDA).....</b>                       | <b>689</b> |
| Figure 15.1       | Block Diagram of SCI.....  | 691        |

|              |  |     |
|--------------|--|-----|
| Figure 15.2  | Data Format in Asynchronous Communication<br>(Example with 8-Bit Data, Parity, Two Stop Bits).....                 | 723 |
| Figure 15.3  | Receive Data Sampling Timing in Asynchronous Mode .....  | 725 |
| Figure 15.4  | Relation between Output Clock and Transfer Data Phase (Asynchronous Mode). .....                                   | 726 |
| Figure 15.5  | Sample SCI Initialization Flowchart .....  | 727 |
| Figure 15.6  | Example of Operation in Transmission in Asynchronous Mode<br>(Example with 8-Bit Data, Parity, One Stop Bit) ..... | 728 |
| Figure 15.7  | Sample Serial Transmission Flowchart .....   | 729 |
| Figure 15.8  | Example of SCI Operation in Reception<br>(Example with 8-Bit Data, Parity, One Stop Bit) .....                     | 730 |
| Figure 15.9  | Sample Serial Reception Data Flowchart (1) .....   | 732 |
| Figure 15.9  | Sample Serial Reception Data Flowchart (2) .....   | 733 |
| Figure 15.10 | Example of Communication Using Multiprocessor Format<br>(Transmission of Data H'AA to Receiving Station A) .....   | 735 |
| Figure 15.11 | Sample Multiprocessor Serial Transmission Flowchart .....  | 736 |
| Figure 15.12 | Example of SCI Operation in Reception<br>(Example with 8-Bit Data, Multiprocessor Bit, One Stop Bit).....          | 737 |
| Figure 15.13 | Sample Multiprocessor Serial Reception Flowchart (1).....  | 738 |
| Figure 15.13 | Sample Multiprocessor Serial Reception Flowchart (2).....  | 739 |
| Figure 15.14 | Data Format in Clocked Synchronous Communication (For LSB-First) .....   | 740 |
| Figure 15.15 | Sample SCI Initialization Flowchart .....  | 741 |
| Figure 15.16 | Sample SCI Transmission Operation in Clocked Synchronous Mode .....  | 742 |
| Figure 15.17 | Sample Serial Transmission Flowchart .....   | 743 |
| Figure 15.18 | Example of SCI Operation in Reception .....  | 744 |
| Figure 15.19 | Sample Serial Reception Flowchart .....  | 745 |
| Figure 15.20 | Sample Flowchart of Simultaneous Serial Transmit and Receive Operations .....                                      | 747 |
| Figure 15.21 | Schematic Diagram of Smart Card Interface Pin Connections.....   | 748 |
| Figure 15.22 | Normal Smart Card Interface Data Format .....  | 749 |
| Figure 15.23 | Direct Convention ( $SDIR = SINV = O/\bar{E} = 0$ ) .....  | 749 |
| Figure 15.24 | Inverse Convention ( $SDIR = SINV = O/\bar{E} = 1$ ).....  | 750 |
| Figure 15.25 | Receive Data Sampling Timing in Smart Card Mode<br>(Using Clock of 372 Times the Bit Rate).....                    | 751 |
| Figure 15.26 | Retransfer Operation in SCI Transmit Mode .....  | 754 |
| Figure 15.27 | TEND Flag Generation Timing in Transmission Operation .....  | 754 |
| Figure 15.28 | Example of Transmission Processing Flow.....   | 755 |
| Figure 15.29 | Retransfer Operation in SCI Receive Mode .....   | 756 |
| Figure 15.30 | Example of Reception Processing Flow.....  | 757 |
| Figure 15.31 | Timing for Fixing Clock Output Level.....  | 757 |
| Figure 15.32 | Clock Halt and Restart Procedure .....   | 758 |
| Figure 15.33 | Block Diagram of IrDA.....   | 759 |
| Figure 15.34 | IrDA Transmit/Receive Operations.....  | 760 |

|   |            |
|---|------------|
| Figure 15.35 Example of Synchronous Transmission Using DTC.....   | 766        |
| Figure 15.36 Sample Flowchart for Mode Transition during Transmission.....  | 768        |
| Figure 15.37 Port Pin States during Mode Transition<br>(Internal Clock, Asynchronous Transmission).....                                     | 769        |
| Figure 15.38 Port Pin States during Mode Transition<br>(Internal Clock, Synchronous Transmission).....                                      | 769        |
| Figure 15.39 Sample Flowchart for Mode Transition during Reception.....   | 770        |
| <b>Section 16 I<sup>2</sup>C Bus Interface 2 (IIC2) (Option).....</b>   | <b>771</b> |
| Figure 16.1 Block Diagram of I <sup>2</sup> C Bus Interface 2.....  | 772        |
| Figure 16.2 External Circuit Connections of I/O Pins.....   | 773        |
| Figure 16.3 I <sup>2</sup> C Bus Formats.....   | 786        |
| Figure 16.4 I <sup>2</sup> C Bus Timing.....  | 786        |
| Figure 16.5 Master Transmit Mode Operation Timing 1.....  | 788        |
| Figure 16.6 Master Transmit Mode Operation Timing 2.....  | 788        |
| Figure 16.7 Master Receive Mode Operation Timing 1.....   | 790        |
| Figure 16.8 Master Receive Mode Operation Timing 2.....   | 791        |
| Figure 16.9 Slave Transmit Mode Operation Timing 1.....   | 792        |
| Figure 16.10 Slave Transmit Mode Operation Timing 2.....  | 793        |
| Figure 16.11 Slave Receive Mode Operation Timing 1.....   | 795        |
| Figure 16.12 Slave Receive Mode Operation Timing 2.....   | 795        |
| Figure 16.13 Block Diagram of Noise Canceler.....   | 796        |
| Figure 16.14 Sample Flowchart for Master Transmit Mode.....   | 797        |
| Figure 16.15 Sample Flowchart for Master Receive Mode.....  | 798        |
| Figure 16.16 Sample Flowchart for Slave Transmit Mode.....  | 799        |
| Figure 16.17 Sample Flowchart for Slave Receive Mode.....   | 800        |
| Figure 16.18 Timing of the Bit Synchronous Circuit.....   | 802        |
| <b>Section 17 A/D Converter.....</b>  | <b>805</b> |
| Figure 17.1 Block Diagram of A/D Converter.....   | 806        |
| Figure 17.2 A/D Conversion Timing.....  | 814        |
| Figure 17.3 External Trigger Input Timing.....  | 815        |
| Figure 17.4 A/D Conversion Accuracy Definitions.....  | 817        |
| Figure 17.5 A/D Conversion Accuracy Definitions.....  | 817        |
| Figure 17.6 Example of Analog Input Circuit.....  | 818        |
| Figure 17.7 Example of Analog Input Protection Circuit.....   | 820        |
| <b>Section 18 D/A Converter.....</b>  | <b>821</b> |
| Figure 18.1 Block Diagram of D/A Converter for H8S/2378 0.18μm F-ZTAT Group,<br>H8S/2378R 0.18μm F-ZTAT Group, H8S/2377, and H8S/2377R..... | 822        |

|                   |   |            |
|-------------------|---|------------|
| Figure 18.2       | Block Diagram of D/A Converter for H8S/2375, H8S/2375R, H8S/2373,<br>and H8S/2373R .....                        | 823        |
| Figure 18.3       | Example of D/A Converter Operation.....   | 830        |
| <b>Section 20</b> | <b>Flash Memory (0.35-<math>\mu</math>m F-ZTAT Version) .....</b>   | <b>833</b> |
| Figure 20.1       | Block Diagram of Flash Memory.....  | 834        |
| Figure 20.2       | Flash Memory State Transitions.....   | 835        |
| Figure 20.3       | Boot Mode.....  | 836        |
| Figure 20.4       | User Program Mode .....   | 837        |
| Figure 20.5       | 384-kbyte Flash Memory Block Configuration (Modes 3, 4, and 7).....   | 839        |
| Figure 20.6       | Programming/Erasing Flowchart Example in User Program Mode.....   | 849        |
| Figure 20.7       | Program/Program-Verify Flowchart .....  | 851        |
| Figure 20.8       | Erase/Erase-Verify Flowchart.....   | 853        |
| Figure 20.9       | Power-On/Off Timing .....   | 858        |
| Figure 20.10      | Mode Transition Timing<br>(Example: Boot Mode $\rightarrow$ User Mode $\leftrightarrow$ User Program Mode)..... | 859        |
| <b>Section 21</b> | <b>Flash Memory (0.18-<math>\mu</math>m F-ZTAT Version) .....</b>   | <b>861</b> |
| Figure 21.1       | Block Diagram of Flash Memory.....  | 863        |
| Figure 21.2       | Mode Transition of Flash Memory.....  | 864        |
| Figure 21.3       | Flash Memory Configuration .....  | 866        |
| Figure 21.4       | Block Division of User MAT.....   | 867        |
| Figure 21.5       | Overview of User Procedure Program .....  | 868        |
| Figure 21.6       | System Configuration in Boot Mode.....  | 892        |
| Figure 21.7       | Automatic-Bit-Rate Adjustment Operation of SCI.....   | 892        |
| Figure 21.8       | Overview of Boot Mode State Transition Diagram.....   | 894        |
| Figure 21.9       | Programming/Erasing Overview Flow.....  | 895        |
| Figure 21.10      | RAM Map when Programming/Erasing Is Executed .....  | 896        |
| Figure 21.11      | Programming Procedure.....  | 897        |
| Figure 21.12      | Erasing Procedure .....   | 904        |
| Figure 21.13      | Procedure for Programming User MAT in User Boot Mode .....  | 907        |
| Figure 21.14      | Procedure for Erasing User MAT in User Boot Mode .....  | 909        |
| Figure 21.15      | Transitions to Error-Protection State.....  | 922        |
| Figure 21.16      | Switching between the User MAT and User Boot MAT .....  | 923        |
| Figure 21.17      | Boot Program States.....  | 925        |
| Figure 21.18      | Bit-Rate-Adjustment Sequence .....  | 926        |
| Figure 21.19      | Communication Protocol Format .....   | 927        |
| Figure 21.20      | New Bit-Rate Selection Sequence.....  | 938        |
| Figure 21.21      | Programming Sequence.....   | 942        |
| Figure 21.22      | Erasure Sequence .....  | 945        |

|                 |   |      |
|-----------------|---|------|
| Section 22      | Masked ROM .....  | 953  |
| Figure 22.1     | Block Diagram of 256-kbyte Masked ROM (HD6432375) .....                                 | 953  |
| Section 23      | Clock Pulse Generator .....   | 955  |
| Figure 23.1     | Block Diagram of Clock Pulse Generator .....  | 955  |
| Figure 23.2     | Connection of Crystal Resonator (Example).....  | 958  |
| Figure 23.3     | Crystal Resonator Equivalent Circuit .....  | 958  |
| Figure 23.4     | External Clock Input (Examples) .....   | 959  |
| Figure 23.5     | External Clock Input Timing .....   | 960  |
| Figure 23.6     | Note on Board Design for Oscillation Circuit .....                                      | 963  |
| Figure 23.7     | Recommended External Circuitry for PLL Circuit .....                                    | 963  |
| Section 24      | Power-Down Modes .....  | 965  |
| Figure 24.1     | Mode Transitions.....   | 967  |
| Figure 24.2     | Software Standby Mode Application Example .....   | 976  |
| Figure 24.3     | Hardware Standby Mode Timing .....  | 977  |
| Figure 24.4     | Hardware Standby Mode Timing when Power Is Supplied .....                               | 978  |
| Section 26      | Electrical Characteristics .....  | 1019 |
| Figure 26.1     | Output Load Circuit .....   | 1023 |
| Figure 26.2     | System Clock Timing.....  | 1067 |
| Figure 26.3     | SDRAM $\phi$ Timing.....  | 1067 |
| Figure 26.4 (1) | Oscillation Settling Timing.....  | 1068 |
| Figure 26.4 (2) | Oscillation Settling Timing.....  | 1068 |
| Figure 26.5     | Reset Input Timing.....   | 1069 |
| Figure 26.6     | Interrupt Input Timing.....   | 1069 |
| Figure 26.7     | Basic Bus Timing: Two-State Access .....  | 1070 |
| Figure 26.8     | Basic Bus Timing: Three-State Access .....  | 1071 |
| Figure 26.9     | Basic Bus Timing: Three-State Access, One Wait.....                                     | 1072 |
| Figure 26.10    | Basic Bus Timing: Two-State Access ( $\overline{CS}$ Assertion Period Extended) .....   | 1073 |
| Figure 26.11    | Basic Bus Timing: Three-State Access ( $\overline{CS}$ Assertion Period Extended) ..... | 1074 |
| Figure 26.12    | Burst ROM Access Timing: One-State Burst Access .....                                   | 1075 |
| Figure 26.13    | Burst ROM Access Timing: Two-State Burst Access.....                                    | 1076 |
| Figure 26.14    | DRAM Access Timing: Two-State Access .....  | 1077 |
| Figure 26.15    | DRAM Access Timing: Two-State Access, One Wait.....                                     | 1078 |
| Figure 26.16    | DRAM Access Timing: Two-State Burst Access .....  | 1079 |
| Figure 26.17    | DRAM Access Timing: Three-State Access (RAST = 1) .....                                 | 1080 |
| Figure 26.18    | DRAM Access Timing: Three-State Burst Access .....                                      | 1081 |
| Figure 26.19    | CAS-Before-RAS Refresh Timing .....   | 1082 |
| Figure 26.20    | CAS-Before-RAS Refresh Timing (with Wait Cycle Insertion) .....                         | 1082 |
| Figure 26.21    | Self-Refresh Timing (Return from Software Standby Mode: RAST = 0).....                  | 1083 |

|  |             |
|--|-------------|
| Figure 26.22 Self-Refresh Timing (Return from Software Standby Mode: RAST = 1).....  | 1083        |
| Figure 26.23 External Bus Release Timing .....   | 1084        |
| Figure 26.24 External Bus Request Output Timing.....   | 1084        |
| Figure 26.25 Synchronous DRAM Basic Access Timing (CAS Latency 2) .....  | 1085        |
| Figure 26.26 Synchronous DRAM Self-Refresh Timing .....  | 1086        |
| Figure 26.27 Read Data: Two-State Expansion (CAS Latency 2).....   | 1087        |
| Figure 26.28 DMAC and EXDMAC Single Address Transfer Timing: Two-State Access.....   | 1088        |
| Figure 26.29 DMAC and EXDMAC Single Address Transfer Timing: Three-State Access.....   | 1089        |
| Figure 26.30 DMAC and EXDMAC $\overline{TEND/ETEND}$ Output Timing .....   | 1090        |
| Figure 26.31 DMAC and EXDMAC $\overline{DREQ/EDREQ}$ Input Timing.....   | 1090        |
| Figure 26.32 EXDMAC $\overline{EDRAK}$ Output Timing .....   | 1090        |
| Figure 26.33 I/O Port Input/Output Timing.....   | 1091        |
| Figure 26.34 PPG Output Timing.....  | 1091        |
| Figure 26.35 TPU Input/Output Timing .....   | 1091        |
| Figure 26.36 TPU Clock Input Timing.....   | 1092        |
| Figure 26.37 8-Bit Timer Output Timing .....   | 1092        |
| Figure 26.38 8-Bit Timer Clock Input Timing .....  | 1092        |
| Figure 26.39 8-Bit Timer Reset Input Timing .....  | 1092        |
| Figure 26.40 WDT Output Timing.....  | 1093        |
| Figure 26.41 SCK Clock Input Timing .....  | 1093        |
| Figure 26.42 SCI Input/Output Timing: Synchronous Mode .....   | 1093        |
| Figure 26.43 A/D Converter External Trigger Input Timing.....  | 1093        |
| Figure 26.44 I <sup>2</sup> C Bus Interface 2 Input/Output Timing (Option) .....   | 1094        |
| <b>Appendix</b> .....  | <b>1095</b> |
| Figure C.1 Package Dimensions (FP-144H) .....  | 1106        |
| Figure C.2 Package Dimensions (TLP-145V).....  | 1107        |
| Figure D.1 Timing of Address Bus, $\overline{RD}$ , $\overline{HWR}$ , and $\overline{LWR}$<br>(8-Bit Bus, 3-State Access, No Wait)..... | 1109        |





# Tables

|            |  |     |
|------------|--|-----|
| Section 1  | Overview .....   | 1   |
| Table 1.1  | Pin Arrangement in Each Operating Mode .....                           | 12  |
| Table 1.2  | Pin Functions.....   | 18  |
| Section 2  | CPU.....   | 35  |
| Table 2.1  | Instruction Classification.....  | 51  |
| Table 2.2  | Operation Notation .....   | 52  |
| Table 2.3  | Data Transfer Instructions .....                                       | 53  |
| Table 2.4  | Arithmetic Operations Instructions .....                               | 54  |
| Table 2.5  | Logic Operations Instructions .....                                    | 56  |
| Table 2.6  | Shift Instructions .....   | 56  |
| Table 2.7  | Bit Manipulation Instructions.....                                     | 57  |
| Table 2.8  | Branch Instructions .....  | 59  |
| Table 2.9  | System Control Instructions .....                                      | 60  |
| Table 2.10 | Block Data Transfer Instructions.....                                  | 61  |
| Table 2.11 | Addressing Modes.....  | 63  |
| Table 2.12 | Absolute Address Access Ranges .....                                   | 64  |
| Table 2.13 | Effective Address Calculation.....                                     | 66  |
| Section 3  | MCU Operating Modes.....   | 71  |
| Table 3.1  | MCU Operating Mode Selection.....                                      | 71  |
| Table 3.2  | Pin Functions in Each Operating Mode.....                              | 77  |
| Section 4  | Exception Handling .....   | 93  |
| Table 4.1  | Exception Types and Priority .....                                     | 93  |
| Table 4.2  | Exception Handling Vector Table .....                                  | 94  |
| Table 4.3  | Status of CCR and EXR after Trace Exception Handling .....             | 98  |
| Table 4.4  | Status of CCR and EXR after Trap Instruction Exception Handling .....  | 99  |
| Section 5  | Interrupt Controller .....   | 103 |
| Table 5.1  | Pin Configuration .....  | 105 |
| Table 5.2  | Interrupt Sources, Vector Addresses, and Interrupt Priorities .....    | 122 |
| Table 5.3  | Interrupt Control Modes.....   | 127 |
| Table 5.4  | Interrupt Response Times.....  | 132 |
| Table 5.5  | Number of States in Interrupt Handling Routine Execution Statuses..... | 133 |
| Section 6  | Bus Controller (BSC).....  | 137 |
| Table 6.1  | Pin Configuration .....  | 139 |

|                  |  |            |
|------------------|--|------------|
| Table 6.2        | Bus Specifications for Each Area (Basic Bus Interface).....                                      | 173        |
| Table 6.3        | Data Buses Used and Valid Strobes .....  | 178        |
| Table 6.4        | Relation between Settings of Bits RMTS2 to RMTS0 and DRAM Space.....                             | 191        |
| Table 6.5        | Relation between Settings of Bits MXC2 to MXC0 and Address Multiplexing .....                    | 192        |
| Table 6.6        | DRAM Interface Pins .....  | 193        |
| Table 6.7        | Relation between Settings of Bits RMTS2 to RMTS0<br>and Synchronous DRAM Space .....             | 216        |
| Table 6.8        | Relation between Settings of Bits MXC2 to MXC0 and Address Multiplexing .....                    | 217        |
| Table 6.9        | Synchronous DRAM Interface Pins .....  | 219        |
| Table 6.10       | Setting CAS Latency .....  | 222        |
| Table 6.11       | Idle Cycles in Mixed Accesses to Normal Space and DRAM Continuous<br>Synchronous DRAM Space..... | 264        |
| Table 6.12       | Pin States in Idle Cycle .....   | 268        |
| Table 6.13       | Pin States in Bus Released State .....   | 271        |
| <b>Section 7</b> | <b>DMA Controller (DMAC).....</b>  | <b>279</b> |
| Table 7.1        | Pin Configuration .....  | 281        |
| Table 7.2        | Short Address Mode and Full Address Mode (Channel 0).....  | 282        |
| Table 7.3        | DMAC Activation Sources .....  | 307        |
| Table 7.4        | DMAC Transfer Modes.....   | 310        |
| Table 7.5        | Register Functions in Sequential Mode.....   | 312        |
| Table 7.6        | Register Functions in Idle Mode .....  | 315        |
| Table 7.7        | Register Functions in Repeat Mode .....  | 317        |
| Table 7.8        | Register Functions in Single Address Mode .....  | 320        |
| Table 7.9        | Register Functions in Normal Mode .....  | 323        |
| Table 7.10       | Register Functions in Block Transfer Mode.....   | 326        |
| Table 7.11       | DMAC Channel Priority Order .....  | 347        |
| Table 7.12       | Interrupt Sources and Priority Order .....   | 353        |
| <b>Section 8</b> | <b>EXDMA Controller (EXDMAC) .....</b>   | <b>359</b> |
| Table 8.1        | Pin Configuration .....  | 361        |
| Table 8.2        | EXDMAC Transfer Modes .....  | 374        |
| Table 8.3        | EXDMAC Channel Priority Order.....   | 390        |
| Table 8.4        | Interrupt Sources and Priority Order .....   | 420        |
| <b>Section 9</b> | <b>Data Transfer Controller (DTC) .....</b>  | <b>425</b> |
| Table 9.1        | Relationship between Activation Sources and DTCER Clearing.....                                  | 432        |
| Table 9.2        | Interrupt Sources, DTC Vector Addresses, and Corresponding DTCEs .....                           | 435        |
| Table 9.3        | Chain Transfer Conditions .....  | 439        |
| Table 9.4        | Register Function in Normal Mode.....  | 440        |
| Table 9.5        | Register Function in Repeat Mode .....   | 441        |

|   |   |     |
|---|---|-----|
| Table 9.6                                     | Register Function in Block Transfer Mode .....            | 442 |
| Table 9.7                                     | DTC Execution Status .....                                | 446 |
| Table 9.8                                     | Number of States Required for Each Execution Status ..... | 446 |
| Section 10 I/O Ports .....                    |   | 455 |
| Table 10.1                                    | Port Functions .....                                      | 456 |
| Table 10.2                                    | Input Pull-Up MOS States (Port A).....                    | 512 |
| Table 10.3                                    | Input Pull-Up MOS States (Port B).....                    | 516 |
| Table 10.4                                    | Input Pull-Up MOS States (Port C).....                    | 520 |
| Table 10.5                                    | Input Pull-Up MOS States (Port D).....                    | 524 |
| Table 10.6                                    | Input Pull-Up MOS States (Port E).....                    | 528 |
| Section 11 16-Bit Timer Pulse Unit (TPU)..... |   | 545 |
| Table 11.1                                    | TPU Functions.....  | 546 |
| Table 11.2                                    | Pin Configuration .....                                   | 549 |
| Table 11.3                                    | CCLR2 to CCLR0 (Channels 0 and 3).....                    | 553 |
| Table 11.4                                    | CCLR2 to CCLR0 (Channels 1, 2, 4, and 5).....             | 553 |
| Table 11.5                                    | TPSC2 to TPSC0 (Channel 0).....                           | 554 |
| Table 11.6                                    | TPSC2 to TPSC0 (Channel 1).....                           | 554 |
| Table 11.7                                    | TPSC2 to TPSC0 (Channel 2).....                           | 555 |
| Table 11.8                                    | TPSC2 to TPSC0 (Channel 3).....                           | 555 |
| Table 11.9                                    | TPSC2 to TPSC0 (Channel 4).....                           | 556 |
| Table 11.10                                   | TPSC2 to TPSC0 (Channel 5).....                           | 556 |
| Table 11.11                                   | MD3 to MD0.....   | 558 |
| Table 11.12                                   | TIORH_0.....  | 560 |
| Table 11.13                                   | TIORL_0.....  | 561 |
| Table 11.14                                   | TIOR_1 .....  | 562 |
| Table 11.15                                   | TIOR_2 .....  | 563 |
| Table 11.16                                   | TIORH_3.....  | 564 |
| Table 11.17                                   | TIORL_3.....  | 565 |
| Table 11.18                                   | TIOR_4 .....  | 566 |
| Table 11.19                                   | TIOR_5 .....  | 567 |
| Table 11.20                                   | TIORH_0.....  | 568 |
| Table 11.21                                   | TIORL_0.....  | 569 |
| Table 11.22                                   | TIOR_1 .....  | 570 |
| Table 11.23                                   | TIOR_2 .....  | 571 |
| Table 11.24                                   | TIORH_3.....  | 572 |
| Table 11.25                                   | TIORL_3.....  | 573 |
| Table 11.26                                   | TIOR_4 .....  | 574 |
| Table 11.27                                   | TIOR_5 .....  | 575 |
| Table 11.28                                   | Register Combinations in Buffer Operation.....            | 592 |

|   |   |            |
|---|---|------------|
| Table 11.29   | Cascaded Combinations .....   | 596        |
| Table 11.30   | PWM Output Registers and Output Pins.....   | 599        |
| Table 11.31   | Clock Input Pins in Phase Counting Mode.....  | 603        |
| Table 11.32   | Up/Down-Count Conditions in Phase Counting Mode 1 .....   | 604        |
| Table 11.33   | Up/Down-Count Conditions in Phase Counting Mode 2 .....   | 605        |
| Table 11.34   | Up/Down-Count Conditions in Phase Counting Mode 3 .....   | 606        |
| Table 11.35   | Up/Down-Count Conditions in Phase Counting Mode 4 .....   | 607        |
| Table 11.36   | TPU Interrupts.....   | 610        |
| <br><b>Section 12 Programmable Pulse Generator (PPG) .....</b>        |   | <b>631</b> |
| Table 12.1  | Pin Configuration .....   | 633        |
| <br><b>Section 13 8-Bit Timers (TMR) .....</b>                        |   | <b>653</b> |
| Table 13.1  | Pin Configuration .....   | 655        |
| Table 13.2  | Clock Input to TCNT and Count Condition .....   | 658        |
| Table 13.3  | 8-Bit Timer Interrupt Sources .....   | 669        |
| Table 13.4  | Timer Output Priorities .....   | 673        |
| Table 13.5  | Switching of Internal Clock and TCNT Operation.....   | 674        |
| <br><b>Section 14 Watchdog Timer (WDT) .....</b>                      |   | <b>677</b> |
| Table 14.1  | Pin Configuration .....   | 678        |
| Table 14.2  | WDT Interrupt Source.....   | 684        |
| <br><b>Section 15 Serial Communication Interface (SCI, IrDA).....</b> |   | <b>689</b> |
| Table 15.1  | Pin Configuration .....   | 692        |
| Table 15.2  | Relationships between N Setting in BRR and Bit Rate B .....   | 711        |
| Table 15.3  | BRR Settings for Various Bit Rates (Asynchronous Mode) .....  | 712        |
| Table 15.4  | Maximum Bit Rate for Each Frequency (Asynchronous Mode).....  | 715        |
| Table 15.5  | Maximum Bit Rate with External Clock Input (Asynchronous Mode).....   | 716        |
| Table 15.6  | BRR Settings for Various Bit Rates (Clocked Synchronous Mode) .....   | 717        |
| Table 15.7  | Maximum Bit Rate with External Clock Input (Clocked Synchronous Mode).....                                  | 718        |
| Table 15.8  | Examples of Bit Rate for Various BRR Settings (Smart Card Interface Mode)<br>(when n = 0 and S = 372) ..... | 718        |
| Table 15.9  | Maximum Bit Rate at Various Frequencies (Smart Card Interface Mode)<br>(when S = 372).....                  | 719        |
| Table 15.10   | Serial Transfer Formats (Asynchronous Mode) .....   | 724        |
| Table 15.11   | SSR Status Flags and Receive Data Handling.....   | 731        |
| Table 15.12   | Settings of Bits IrCKS2 to IrCKS0 .....   | 761        |
| Table 15.13   | SCI Interrupt Sources .....   | 763        |
| Table 15.14   | Interrupt Sources .....   | 764        |

|            |  |     |
|------------|--|-----|
| Section 16 | I <sup>2</sup> C Bus Interface 2 (IIC2) (Option)                                       | 771 |
| Table 16.1 | Pin Configuration  | 773 |
| Table 16.2 | Transfer Rate  | 776 |
| Table 16.3 | Interrupt Requests   | 801 |
| Table 16.4 | Time for monitoring SCL  | 802 |
| Section 17 | A/D Converter  | 805 |
| Table 17.1 | Pin Configuration  | 807 |
| Table 17.2 | Analog Input Channels and Corresponding ADDR Registers                                 | 808 |
| Table 17.3 | A/D Conversion Time (Single Mode)  | 814 |
| Table 17.4 | A/D Conversion Time (Scan Mode)  | 815 |
| Table 17.5 | A/D Converter Interrupt Source   | 816 |
| Table 17.6 | Analog Pin Specifications  | 820 |
| Section 18 | D/A Converter  | 821 |
| Table 18.1 | Pin Configuration  | 824 |
| Table 18.2 | Control of D/A Conversion  | 826 |
| Table 18.3 | Control of D/A Conversion  | 827 |
| Table 18.4 | Control of D/A Conversion  | 828 |
| Section 19 | RAM  | 831 |
| Section 20 | Flash Memory (0.35- $\mu$ m F-ZTAT Version)  | 833 |
| Table 20.1 | Differences between Boot Mode and User Program Mode                                    | 835 |
| Table 20.2 | Pin Configuration  | 840 |
| Table 20.3 | Erase Blocks   | 845 |
| Table 20.4 | Setting On-Board Programming Mode  | 846 |
| Table 20.5 | Boot Mode Operation  | 848 |
| Table 20.6 | System Clock Frequencies for which Automatic Adjustment<br>of LSI Bit Rate Is Possible | 849 |
| Table 20.7 | Flash Memory Operating States  | 855 |
| Section 21 | Flash Memory (0.18- $\mu$ m F-ZTAT Version)  | 861 |
| Table 21.1 | Comparison of Programming Modes  | 865 |
| Table 21.2 | Pin Configuration  | 870 |
| Table 21.3 | Register/Parameter and Target Mode   | 872 |
| Table 21.4 | Parameters and Target Modes  | 880 |
| Table 21.5 | Setting On-Board Programming Mode  | 891 |
| Table 21.6 | System Clock Frequency for Automatic-Bit-Rate Adjustment by This LSI                   | 893 |
| Table 21.7 | Executable MAT   | 911 |
| Table 21.8 | (1) Useable Area for Programming in User Program Mode                                  | 912 |

|   |             |
|---|-------------|
| Table 21.8 (2) Useable Area for Erasure in User Program Mode .....            | 914         |
| Table 21.8 (3) Useable Area for Programming in User Boot Mode .....           | 916         |
| Table 21.8 (4) Useable Area for Erasure in User Boot Mode.....                | 918         |
| Table 21.9 Hardware Protection.....   | 920         |
| Table 21.10 Software Protection .....   | 921         |
| Table 21.11 Inquiry and Selection Commands .....                              | 928         |
| Table 21.12 Programming/Erasing Command .....                                 | 941         |
| Table 21.13 Status Code.....  | 950         |
| Table 21.14 Error Code.....   | 951         |
| Table 21.15 User Branch Processing Start Intervals .....                      | 952         |
| <br>  |             |
| <b>Section 23 Clock Pulse Generator .....</b>                                 | <b>955</b>  |
| Table 23.1 Damping Resistance Value .....                                     | 958         |
| Table 23.2 Crystal Resonator Characteristics.....                             | 959         |
| Table 23.3 External Clock Input Conditions .....                              | 960         |
| <br>  |             |
| <b>Section 24 Power-Down Modes .....</b>                                      | <b>965</b>  |
| Table 24.1 Operating Modes and Internal states of the LSI .....               | 966         |
| Table 24.2 Oscillation Stabilization Time Settings .....                      | 975         |
| Table 24.3 $\phi$ Pin State in Each Processing State .....                    | 979         |
| <br>  |             |
| <b>Section 26 Electrical Characteristics .....</b>                            | <b>1019</b> |
| Table 26.1 Absolute Maximum Ratings.....                                      | 1019        |
| Table 26.2 DC Characteristics (1).....  | 1020        |
| Table 26.3 DC Characteristics (2).....  | 1021        |
| Table 26.4 Permissible Output Currents .....                                  | 1022        |
| Table 26.5 Clock Timing.....  | 1024        |
| Table 26.6 Control Signal Timing.....   | 1025        |
| Table 26.7 Bus Timing (1) .....   | 1026        |
| Table 26.8 Bus Timing (2) .....   | 1027        |
| Table 26.9 DMAC and EXDMAC Timing .....                                       | 1029        |
| Table 26.10 Timing of On-Chip Peripheral Modules.....                         | 1030        |
| Table 26.11 A/D Conversion Characteristics .....                              | 1032        |
| Table 26.12 D/A Conversion Characteristics .....                              | 1032        |
| Table 26.13 Flash Memory Characteristics (0.35- $\mu$ m F-ZTAT Version) ..... | 1033        |
| Table 26.14 Absolute Maximum Ratings.....                                     | 1035        |
| Table 26.15 DC Characteristics.....   | 1036        |
| Table 26.16 DC Characteristics.....   | 1037        |
| Table 26.17 Permissible Output Currents .....                                 | 1038        |
| Table 26.18 Clock Timing.....   | 1039        |
| Table 26.19 Control Signal Timing.....  | 1040        |

|             |  |      |
|-------------|--|------|
| Table 26.20 | Bus Timing (1)   | 1041 |
| Table 26.21 | Bus Timing (2)   | 1043 |
| Table 26.22 | DMAC and EXDMAC Timing   | 1045 |
| Table 26.23 | Timing of On-Chip Peripheral Modules                                     | 1046 |
| Table 26.24 | A/D Conversion Characteristics   | 1048 |
| Table 26.25 | D/A Conversion Characteristics   | 1048 |
| Table 26.26 | Flash Memory Characteristics (0.18- $\mu$ m F-ZTAT Version)              | 1049 |
| Table 26.27 | Absolute Maximum Ratings   | 1050 |
| Table 26.28 | DC Characteristics   | 1051 |
| Table 26.29 | DC Characteristics   | 1052 |
| Table 26.30 | Permissible Output Currents  | 1053 |
| Table 26.31 | Clock Timing   | 1054 |
| Table 26.32 | Control Signal Timing  | 1055 |
| Table 26.33 | Bus Timing (1)   | 1056 |
| Table 26.34 | Bus Timing (2)   | 1058 |
| Table 26.35 | DMAC and EXDMAC Timing   | 1060 |
| Table 26.36 | Timing of On-Chip Peripheral Modules                                     | 1061 |
| Table 26.37 | A/D Conversion Characteristics   | 1063 |
| Table 26.38 | D/A Conversion Characteristics   | 1063 |
| Table 26.39 | Flash Memory Characteristics (0.18- $\mu$ m F-ZTAT Version) (512 kbytes) | 1064 |
| Table 26.40 | Flash Memory Characteristics (0.18- $\mu$ m F-ZTAT Version) (384 kbytes) | 1065 |
| Table 26.41 | Flash Memory Characteristics (0.18- $\mu$ m F-ZTAT Version) (256 kbytes) | 1066 |
| Appendix    |  | 1095 |
| Table D.1   | Execution State of Instructions  | 1110 |





---

# Section 1 Overview

## 1.1 Features

- High-speed H8S/2000 CPU with an internal 16-bit architecture
  - Upward-compatible with H8/300 and H8/300H CPUs on an object level
  - Sixteen 16-bit general registers
  - 65 basic instructions
- Various peripheral functions
  - DMA controller (DMAC)
  - EXDMA controller (EXDMAC)\*
  - Data transfer controller (DTC)
  - 16-bit timer-pulse unit (TPU)
  - Programmable pulse generator (PPG)
  - 8-bit timer (TMR)
  - Watchdog timer (WDT)
  - Asynchronous or clocked synchronous serial communication interface (SCI)
  - I<sup>2</sup>C bus interface 2 (IIC2)
  - 10-bit A/D converter
  - 8-bit D/A converter
  - Clock pulse generator

Note: \* Not supported by the H8S/2375, H8S/2375R, H8S/2373, and H8S/2373R.

- On-chip memory

| ROM Type             | Model      | ROM        | RAM       | Remarks                       |
|----------------------|------------|------------|-----------|-------------------------------|
| Flash memory version | HD64F2378B | 512 kbytes | 32 kbytes | H8S/2378 0.18μm F-ZTAT Group  |
|                      | HD64F2378R | 512 kbytes | 32 kbytes | H8S/2378R 0.18μm F-ZTAT Group |
|                      | HD64F2377  | 384 kbytes | 24 kbytes |                               |
|                      | HD64F2377R | 384 kbytes | 24 kbytes |                               |
|                      | HD64F2374  | 384 kbytes | 32 kbytes | H8S/2378 0.18μm F-ZTAT Group  |
|                      | HD64F2374R | 384 kbytes | 32 kbytes | H8S/2378R 0.18μm F-ZTAT Group |
|                      | HD64F2372  | 256 kbytes | 32 kbytes | H8S/2378 0.18μm F-ZTAT Group  |
|                      | HD64F2372R | 256 kbytes | 32 kbytes | H8S/2378R 0.18μm F-ZTAT Group |
|                      | HD64F2371  | 256 kbytes | 24 kbytes | H8S/2378 0.18μm F-ZTAT Group  |
|                      | HD64F2371R | 256 kbytes | 24 kbytes | H8S/2378R 0.18μm F-ZTAT Group |
|                      | HD64F2370  | 256 kbytes | 16 kbytes | H8S/2378 0.18μm F-ZTAT Group  |
|                      | HD64F2370R | 256 kbytes | 16 kbytes | H8S/2378R 0.18μm F-ZTAT Group |
| Masked ROM version   | HD6432375  | 256 kbytes | 16 kbytes |                               |
|                      | HD6432375R | 256 kbytes | 16 kbytes |                               |
| ROMless version      | HD6412373  | —          | 16 kbytes |                               |
|                      | HD6412373R | —          | 16 kbytes |                               |

- General I/O ports

I/O pins: 96

Input-only pins: 17

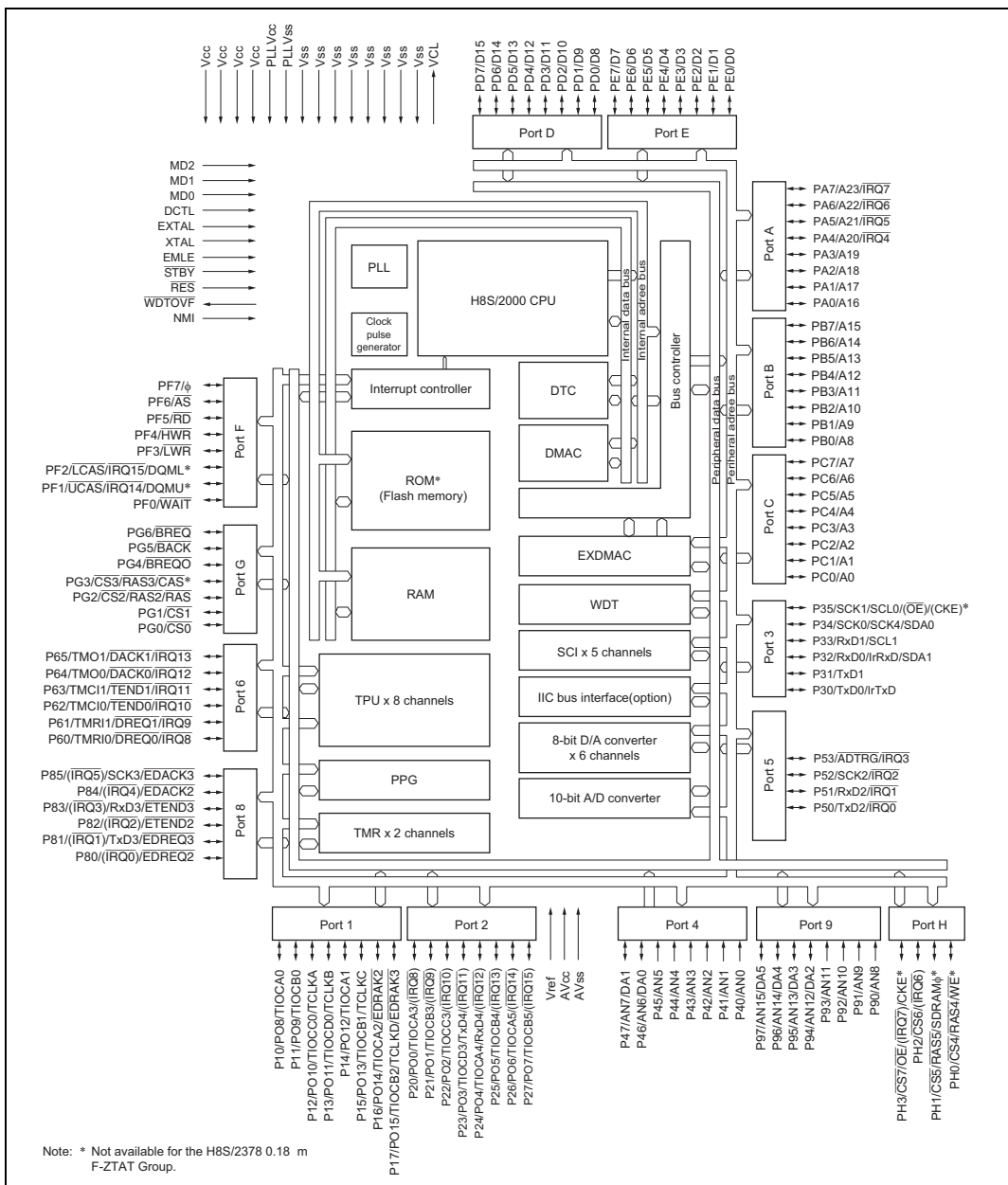
- Supports various power-down states

- Compact package

| Package | (Code)              | Body Size      | Pin Pitch |
|---------|---------------------|----------------|-----------|
| FP-144  | FP-144H (FP-144HV*) | 22.0 × 22.0 mm | 0.5 mm    |
| LGA-145 | TLP-145V*           | 9.0 × 9.0 mm   | 0.65 mm   |

Note: \* Pb-free version

## 1.2 Block Diagram



**Figure 1.1 Internal Block Diagram for H8S/2378 0.18µm F-ZTAT Group and H8S/2378R 0.18µm F-ZTAT Group**

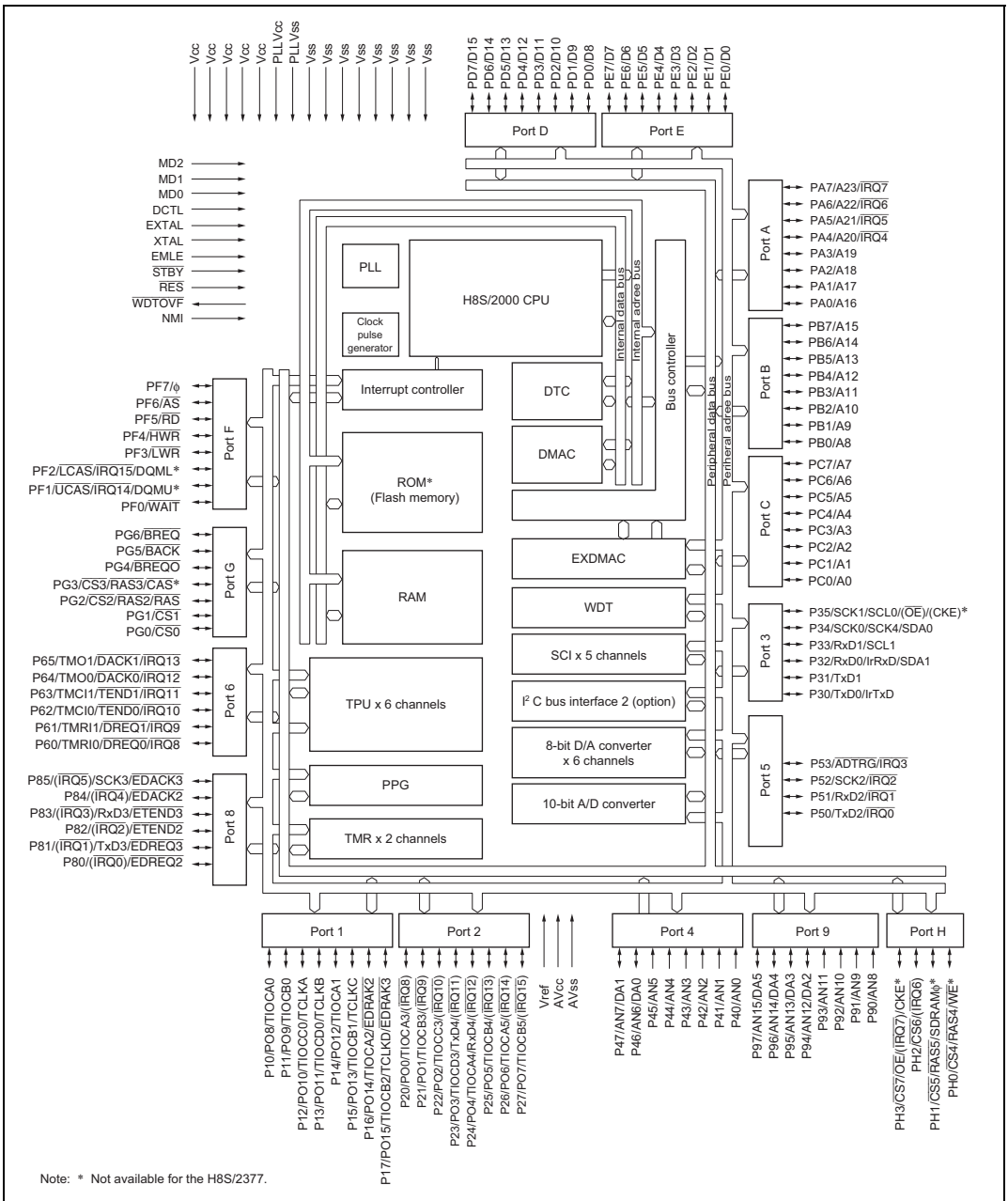


Figure 1.2 Internal Block Diagram for H8S/2377 and H8S/2377R

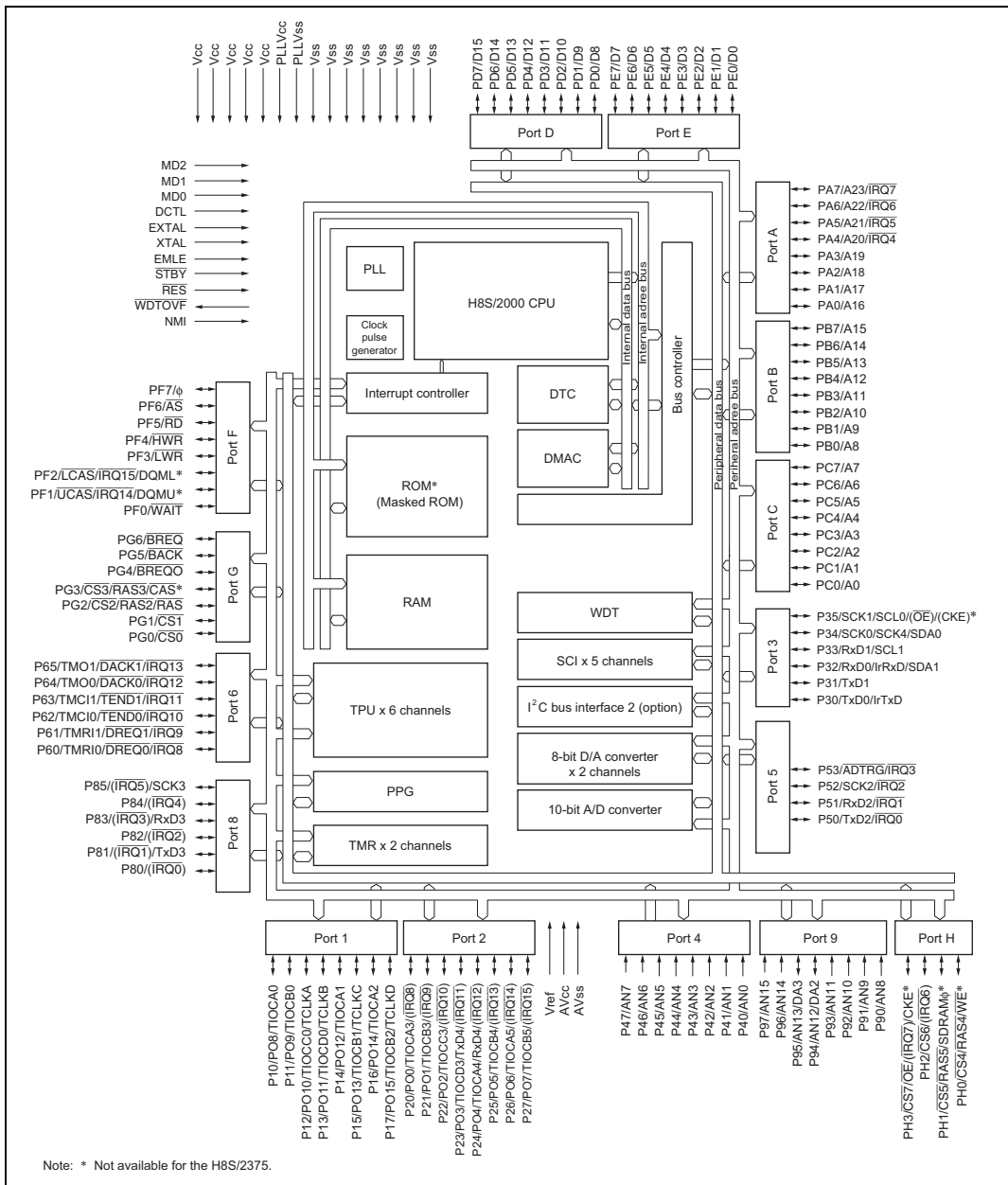


Figure 1.3 Internal Block Diagram for H8S/2375 and H8S/2375R

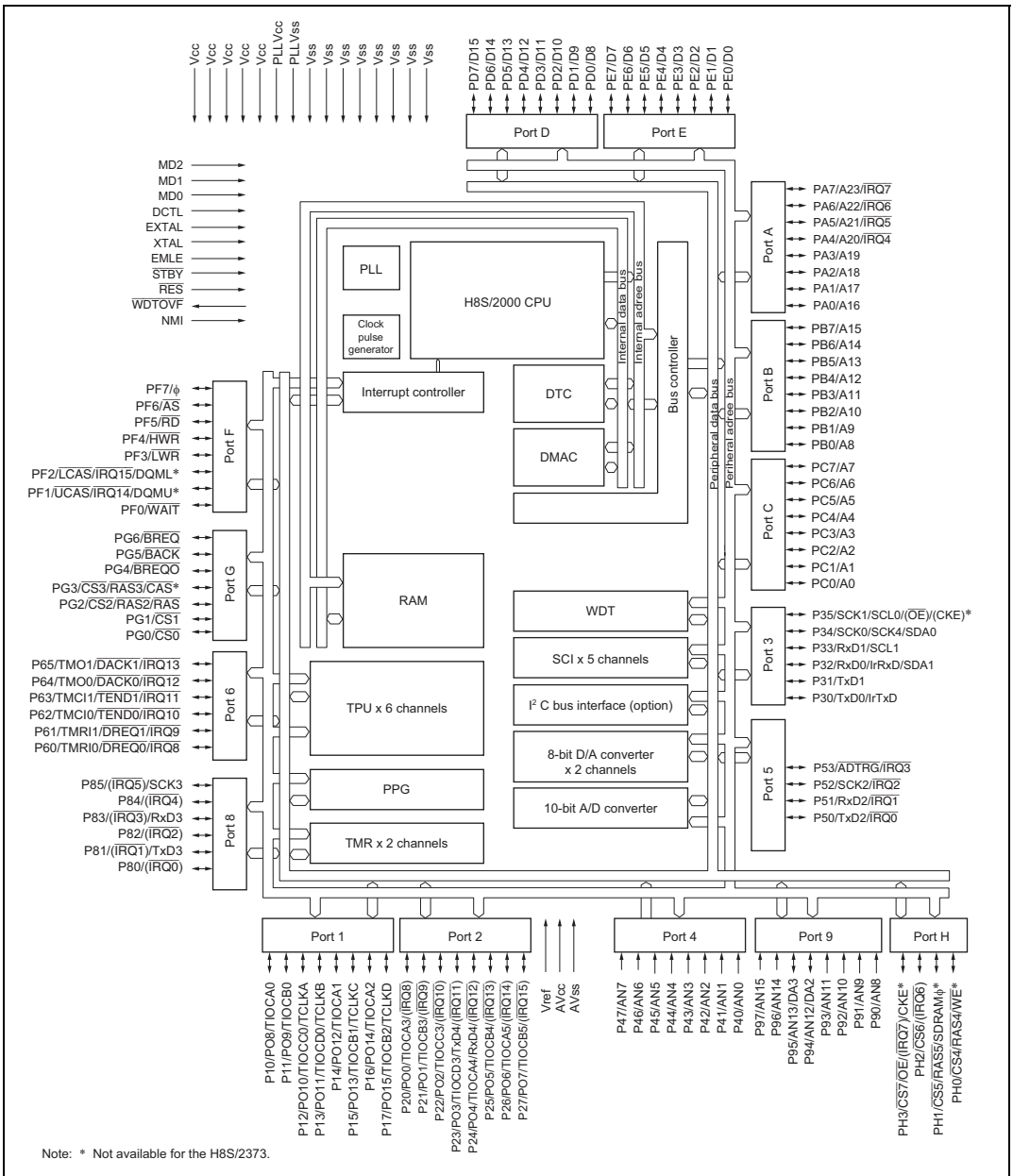
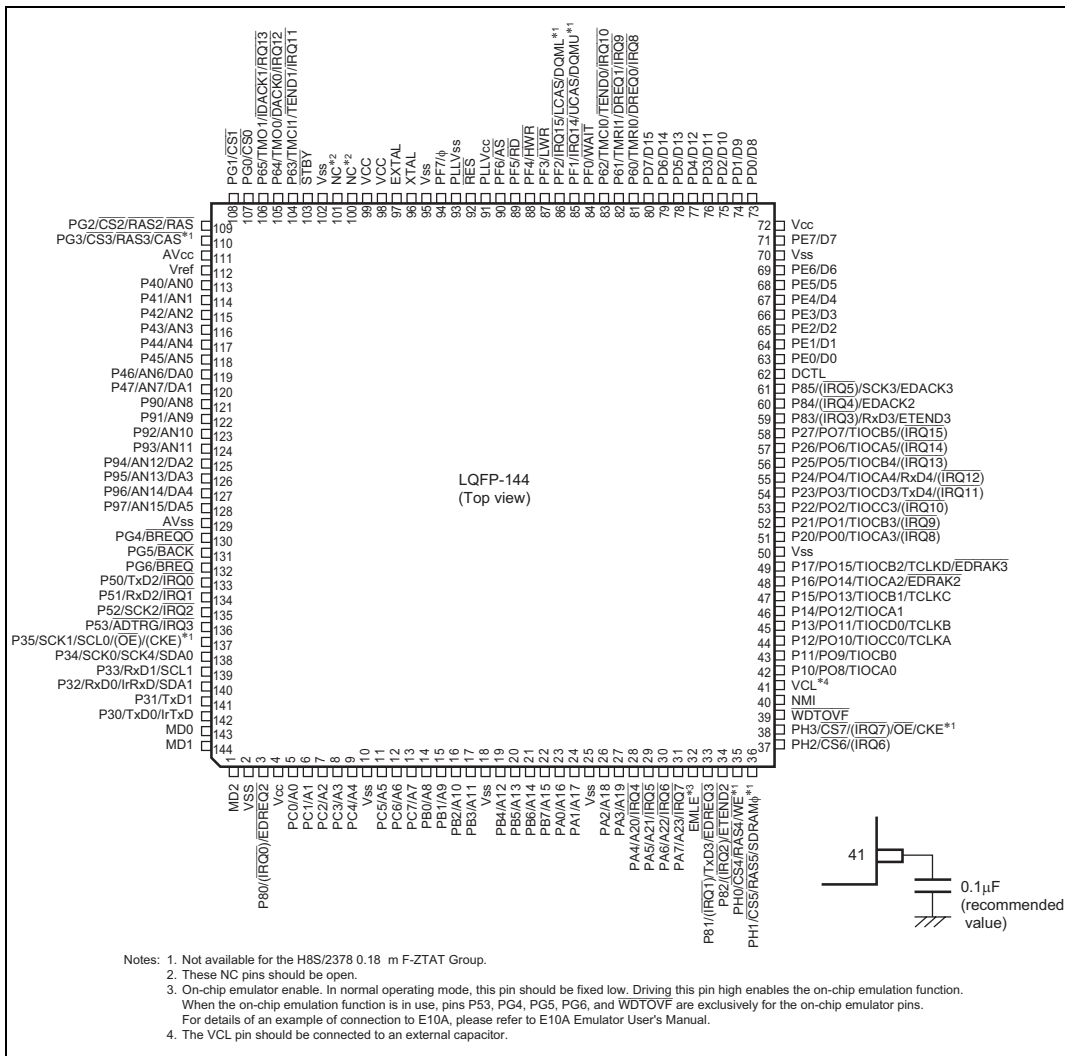


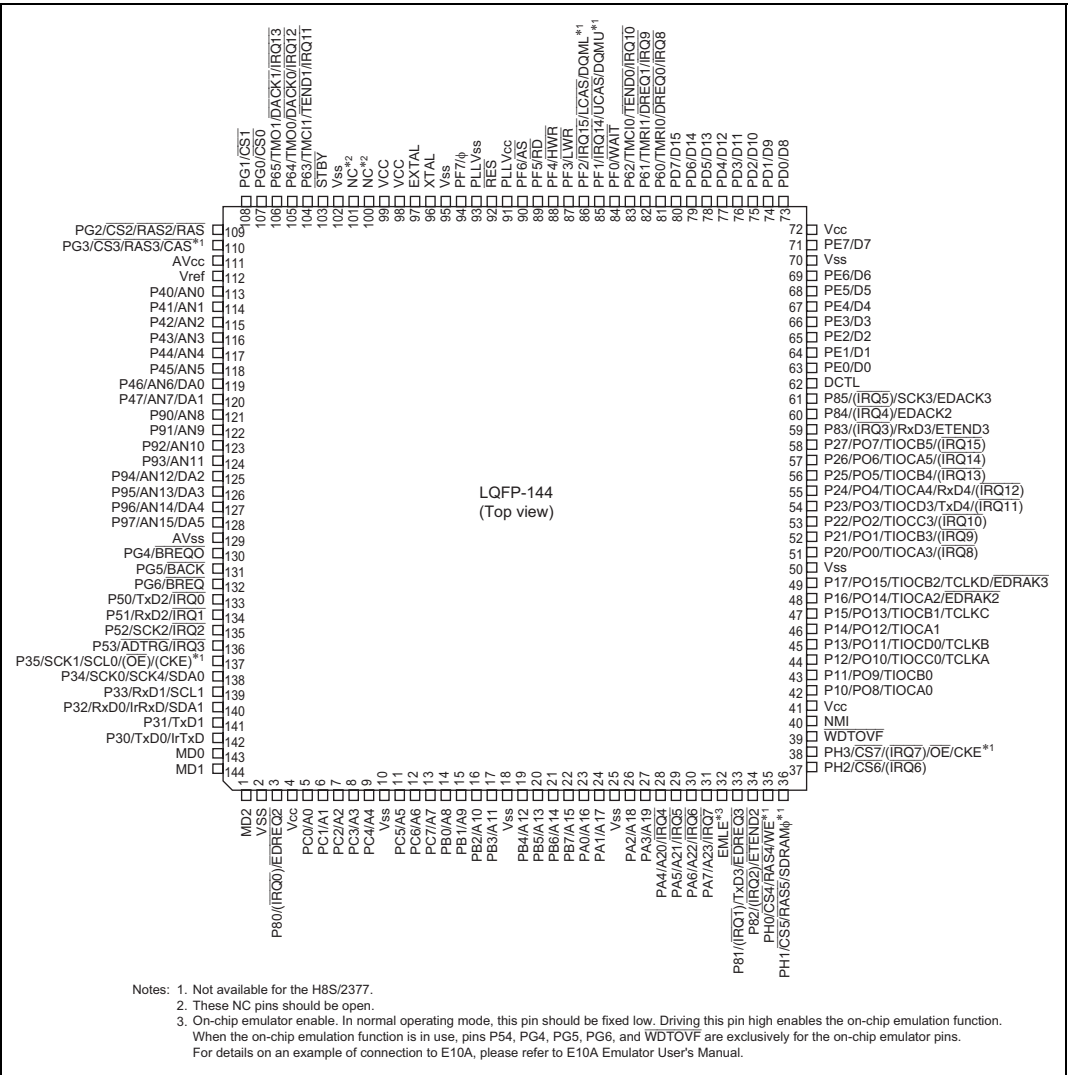
Figure 1.4 Internal Block Diagram for H8S/2373 and H8S/2373R

# 1.3 Pin Description

## 1.3.1 Pin Arrangement



**Figure 1.5 Pin Arrangement for H8S/2378 0.18μm F-ZTAT Group and H8S/2378R 0.18μm F-ZTAT Group**



**Figure 1.6 Pin Arrangement for H8S/2377 and H8S/2377R**



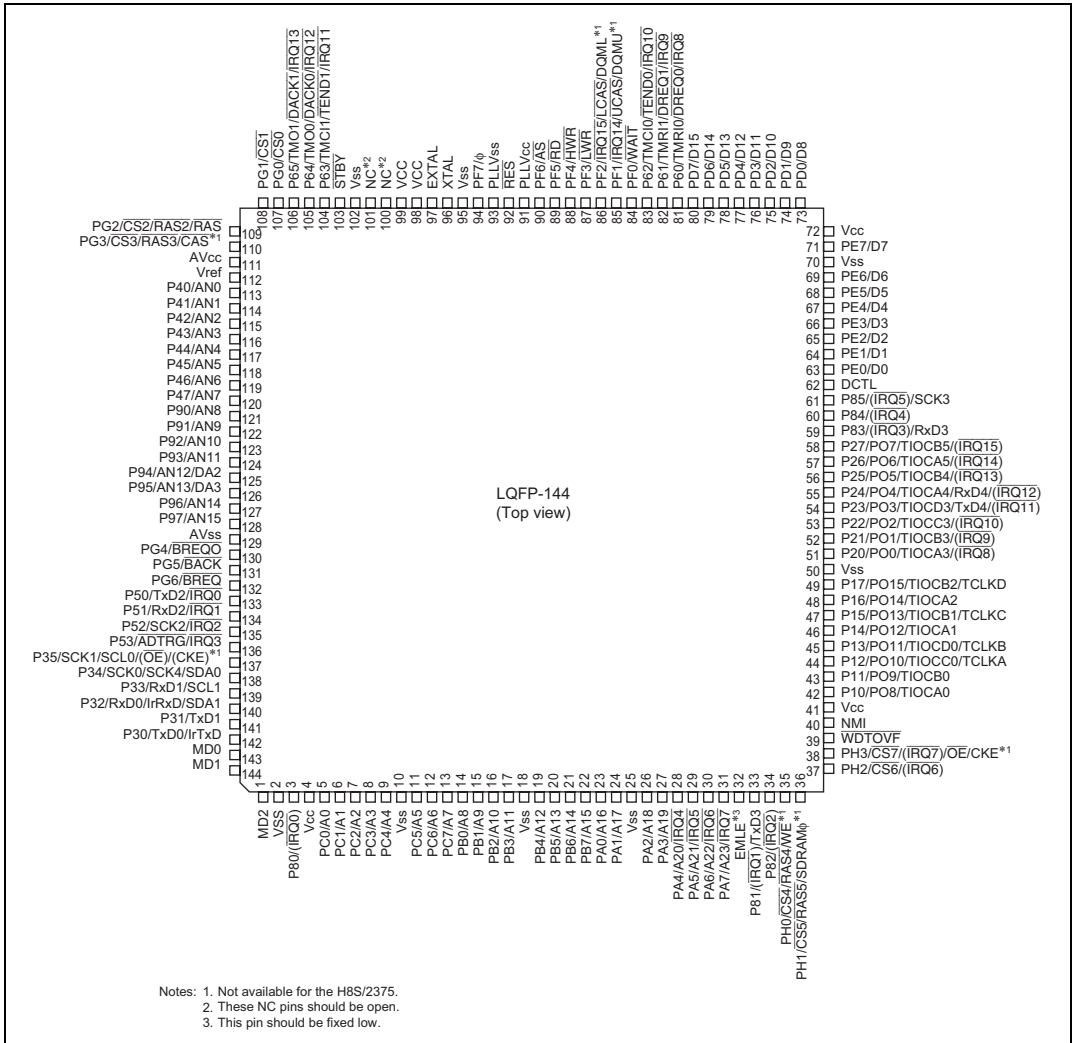
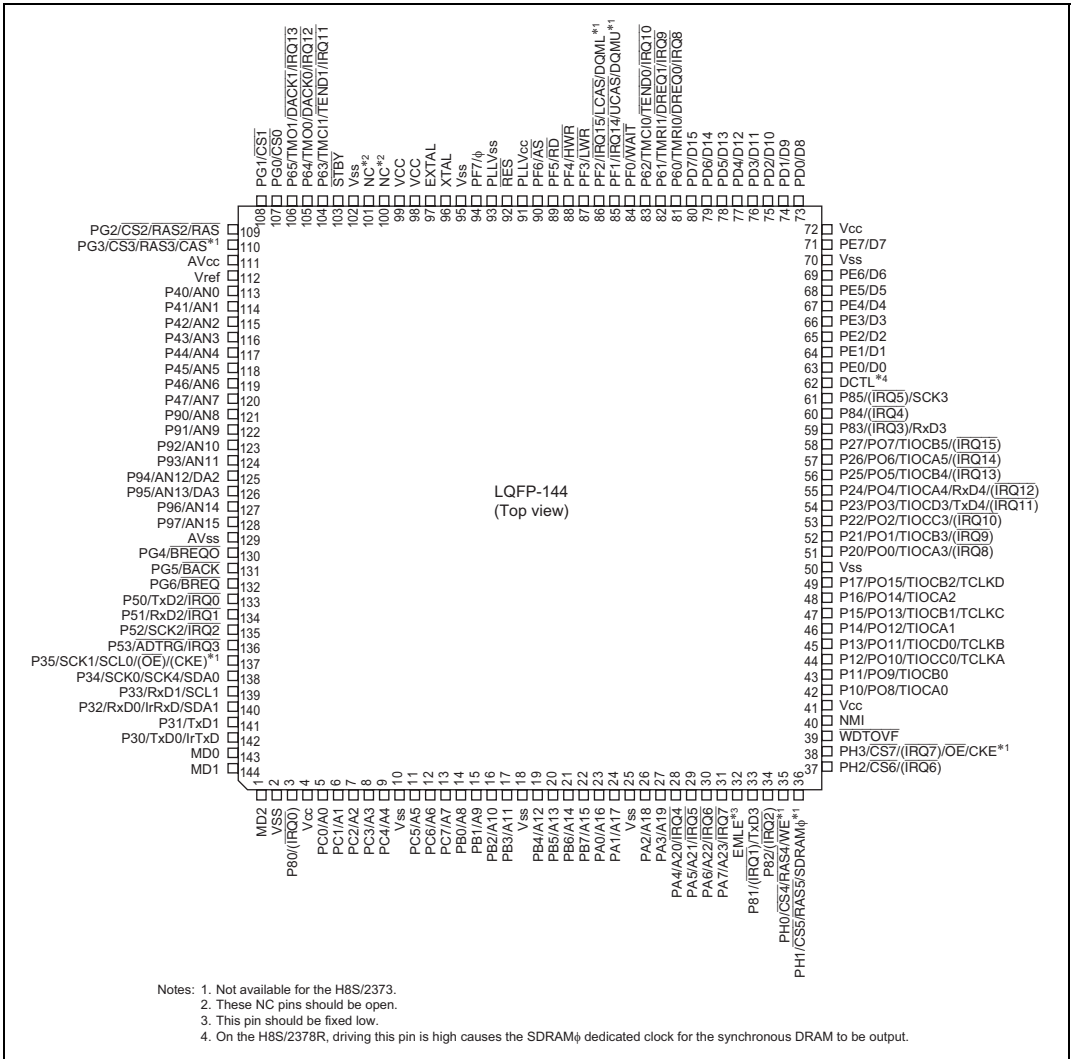


Figure 1.7 Pin Arrangement for H8S/2375 and H8S/2375R



- Notes: 1. Not available for the H8S/2373.  
 2. These NC pins should be open.  
 3. This pin should be fixed low.  
 4. On the H8S/2378R, driving this pin is high causes the SDRAMφ dedicated clock for the synchronous DRAM to be output.

**Figure 1.8 Pin Arrangement for H8S/2373 and H8S/2373R**

|   | 1    | 2   | 3                          | 4   | 5  | 6   | 7    | 8   | 9    | 10  | 11   | 12                      | 13                       |
|---|------|-----|----------------------------|-----|--|-----|------|-----|------|-----|------|-------------------------|--------------------------|
| A | VSS  | MD1 | MD0                        | P32 | P35  | P50 | AVSS | P94 | P90  | P44 | P40  | PG2                     | PG3                      |
| B | MD2  | VCC | P31                        | P34 | P51  | PG4 | P93  | P47 | P45  | P42 | AVCC | VREF                    | PG1                      |
| C | PC0  | P80 | PC1                        | P30 | P33  | P52 | PG5  | P92 | P46  | P43 | P41  | P64                     | P65                      |
| D | PC4  | PC2 | PC3                        | P53 | PG6  | P97 | P96  | P95 | P91  | P63 | PG0  | VCC                     | $\overline{\text{STBY}}$ |
| E | PC7  | VSS | PC5                        | PB0 | NC   |     |      |     |      | VSS | VSS  | NC                      | EXTAL                    |
| F | PB3  | PC6 | PB1                        | VSS | HD64F2378B, HD64F2374,<br>HD64F2372, HD64F2371,<br>HD64F2370, HD64F2378R,<br>HD64F2374R, HD64F2372R,<br>HD64F2371R, HD64F2370R<br>(145-pin)<br>Pin Arrangement<br>(Top View) |     |      |     |      | PF7 | VCC  | $\overline{\text{RES}}$ | XTAL                     |
| G | PB6  | PB2 | PA0                        | PB4 |  |     |      |     |      | PF6 | NC   | PF5                     | PLLSS                    |
| H | VSS  | PB7 | PA3                        | PB5 |  |     |      |     |      | PF2 | PF4  | PF1                     | PLLCC                    |
| J | PA5  | PA2 | PA7                        | PA1 |  |     |      |     |      | P62 | PF0  | P60                     | PF3                      |
| K | EMLE | PA6 | P82                        | PA4 | VSS  | P23 | P24  | P25 | P84  | PE1 | PD7  | PD6                     | P61                      |
| L | PH0  | P81 | P10                        | P12 | P15  | P20 | P83  | PE0 | PE4  | VSS | PD4  | PD2                     | PD5                      |
| M | PH1  | PH3 | $\overline{\text{WDTOVF}}$ | P11 | P14  | P16 | P21  | P27 | DCTL | PE3 | PE6  | PD3                     | PD0                      |
| N | NMI  | PH2 | VCL                        | P13 | P17  | P22 | P26  | P85 | PE2  | PE5 | PE7  | VCC                     | PD1                      |

Note: Connect NC to VSS or leave it open.  
The VCL pin must be connected to an external capacitor (recommended value: 0.1  $\mu\text{F}$ ).

**Figure 1.9 Pin Arrangement (TLP-145V: Top View)**

### 1.3.2 Pin Arrangement in Each Operating Mode

**Table 1.1 Pin Arrangement in Each Operating Mode**

| Pin No.  | Pin Name | Pin Name                |                         |                         |                         |                         | Flash Memory Programmer Mode |                              |
|----------|----------|-------------------------|-------------------------|-------------------------|-------------------------|-------------------------|------------------------------|------------------------------|
|          |          | Mode 1*4                | Mode 2*4                | Mode 4                  | EXPE = 1                | EXPE = 0                | Mode 7                       | Flash Memory Programmer Mode |
| LQFP-144 | LGA-145  |                         |                         |                         |                         |                         |                              |                              |
| 1        | B1       | MD2                     | MD2                     | MD2                     | MD2                     | MD2                     | MD2                          | Vss                          |
| 2        | A1       | Vss                     | Vss                     | Vss                     | Vss                     | Vss                     | Vss                          | Vss                          |
| 3        | C2       | P80/(IRQ0)/<br>EDREQ2*3 | P80/(IRQ0)/<br>EDREQ2*3 | P80/(IRQ0)/<br>EDREQ2*3 | P80/(IRQ0)/<br>EDREQ2*3 | P80/(IRQ0)/<br>EDREQ2*3 | P80/(IRQ0)/<br>EDREQ2*3      | NC                           |
| 4        | B2       | Vcc                     | Vcc                     | Vcc                     | Vcc                     | Vcc                     | Vcc                          | Vcc                          |
| 5        | C1       | A0                      | A0                      | PC0/A0                  | PC0/A0                  | PC0                     | PC0                          | A0                           |
| 6        | C3       | A1                      | A1                      | PC1/A1                  | PC1/A1                  | PC1                     | PC1                          | A1                           |
| 7        | D2       | A2                      | A2                      | PC2/A2                  | PC2/A2                  | PC2                     | PC2                          | A2                           |
| 8        | D3       | A3                      | A3                      | PC3/A3                  | PC3/A3                  | PC3                     | PC3                          | A3                           |
| 9        | D1       | A4                      | A4                      | PC4/A4                  | PC4/A4                  | PC4                     | PC4                          | A4                           |
| 10       | E2       | Vss                     | Vss                     | Vss                     | Vss                     | Vss                     | Vss                          | Vss                          |
| 11       | E3       | A5                      | A5                      | PC5/A5                  | PC5/A5                  | PC5                     | PC5                          | A5                           |
| 12       | F2       | A6                      | A6                      | PC6/A6                  | PC6/A6                  | PC6                     | PC6                          | A6                           |
| 13       | E1       | A7                      | A7                      | PC7/A7                  | PC7/A7                  | PC7                     | PC7                          | A7                           |
| 14       | E4       | A8                      | A8                      | PB0/A8                  | PB0/A8                  | PB0                     | PB0                          | A8                           |
| 15       | F3       | A9                      | A9                      | PB1/A9                  | PB1/A9                  | PB1                     | PB1                          | A9                           |
| 16       | G2       | A10                     | A10                     | PB2/A10                 | PB2/A10                 | PB2                     | PB2                          | A10                          |
| 17       | F1       | A11                     | A11                     | PB3/A11                 | PB3/A11                 | PB3                     | PB3                          | A11                          |
| 18       | F4       | Vss                     | Vss                     | Vss                     | Vss                     | Vss                     | Vss                          | Vss                          |
| 19       | G4       | A12                     | A12                     | PB4/A12                 | PB4/A12                 | PB4                     | PB4                          | A12                          |
| 20       | H4       | A13                     | A13                     | PB5/A13                 | PB5/A13                 | PB5                     | PB5                          | A13                          |
| 21       | G1       | A14                     | A14                     | PB6/A14                 | PB6/A14                 | PB6                     | PB6                          | A14                          |
| 22       | H2       | A15                     | A15                     | PB7/A15                 | PB7/A15                 | PB7                     | PB7                          | A15                          |
| 23       | G3       | A16                     | A16                     | PA0/A16                 | PA0/A16                 | PA0                     | PA0                          | A16                          |
| 24       | J4       | A17                     | A17                     | PA1/A17                 | PA1/A17                 | PA1                     | PA1                          | A17                          |
| 25       | H1       | Vss                     | Vss                     | Vss                     | Vss                     | Vss                     | Vss                          | Vss                          |
| 26       | J2       | A18                     | A18                     | PA2/A18                 | PA2/A18                 | PA2                     | PA2                          | A18                          |
| 27       | H3       | A19                     | A19                     | PA3/A19                 | PA3/A19                 | PA3                     | PA3                          | NC                           |

| Pin No.  |         | Pin Name   |  |  |  |   | Flash Memory Programmer Mode |  |
|----------|---------|--|--|--|--|---|------------------------------|--|
| LQFP-144 | LGA-145 | Mode 1*4   | Mode 2*4   | Mode 4   | Mode 7   |   | Flash Memory Programmer Mode |  |
|          |         |  |  |  | EXPE = 1   | EXPE = 0  |                              |  |
| 28       | K4      | A20/ $\overline{\text{IRQ4}}^{*5}$   | A20/ $\overline{\text{IRQ4}}^{*5}$   | PA4/A20/ $\overline{\text{IRQ4}}$  | PA4/A20/ $\overline{\text{IRQ4}}$  | PA4/ $\overline{\text{IRQ4}}$   | NC                           |  |
| 29       | J1      | PA5/A21/ $\overline{\text{IRQ5}}$  | PA5/A21/ $\overline{\text{IRQ5}}$  | PA5/A21/ $\overline{\text{IRQ5}}$  | PA5/A21/ $\overline{\text{IRQ5}}$  | PA5/ $\overline{\text{IRQ5}}$   | NC                           |  |
| 30       | K2      | PA6/A22/ $\overline{\text{IRQ6}}$  | PA6/A22/ $\overline{\text{IRQ6}}$  | PA6/A22/ $\overline{\text{IRQ6}}$  | PA6/A22/ $\overline{\text{IRQ6}}$  | PA6/ $\overline{\text{IRQ6}}$   | NC                           |  |
| 31       | J3      | PA7/A23/ $\overline{\text{IRQ7}}$  | PA7/A23/ $\overline{\text{IRQ7}}$  | PA7/A23/ $\overline{\text{IRQ7}}$  | PA7/A23/ $\overline{\text{IRQ7}}$  | PA7/ $\overline{\text{IRQ7}}$   | NC                           |  |
| 32       | K1      | EMLE   | EMLE   | EMLE   | EMLE   | EMLE  |                              |  |
| 33       | L2      | P81/( $\overline{\text{IRQ1}}$ )/<br>TXD3/<br>$\overline{\text{EDREQ3}}^{*3}$              | P81/( $\overline{\text{IRQ1}}$ )/<br>TXD3/<br>$\overline{\text{EDREQ3}}^{*3}$              | P81/( $\overline{\text{IRQ1}}$ )/<br>TXD3/<br>$\overline{\text{EDREQ3}}^{*3}$              | P81/( $\overline{\text{IRQ1}}$ )/<br>TXD3/<br>$\overline{\text{EDREQ3}}^{*3}$              | P81/( $\overline{\text{IRQ1}}$ )/<br>TXD3/<br>$\overline{\text{EDREQ3}}^{*3}$ | NC                           |  |
| 34       | K3      | P82/( $\overline{\text{IRQ2}}$ )/<br>$\overline{\text{ETEND2}}^{*3}$                       | P82/( $\overline{\text{IRQ2}}$ )/<br>$\overline{\text{ETEND2}}^{*3}$                       | P82/( $\overline{\text{IRQ2}}$ )/<br>$\overline{\text{ETEND2}}^{*3}$                       | P82/( $\overline{\text{IRQ2}}$ )/<br>$\overline{\text{ETEND2}}^{*3}$                       | P82/( $\overline{\text{IRQ2}}$ )  | NC                           |  |
| 35       | L1      | PH0/CS4/<br>RAS4/WE*1  | PH0/CS4/<br>RAS4/WE*1  | PH0/CS4/<br>RAS4/WE*1  | PH0/CS4/<br>RAS4/WE*1  | PH0   | NC                           |  |
| 36       | M1      | PH1/CS5/RAS5/<br>SDRAM $\phi^{*1}$   | PH1/CS5/RAS5/<br>SDRAM $\phi^{*1}$   | PH1/CS5/RAS5/<br>SDRAM $\phi^{*1}$   | PH1/CS5/RAS5/<br>SDRAM $\phi^{*1}$   | PH1/SDRAM $\phi$  | NC                           |  |
| 37       | N2      | PH2/CS6/( $\overline{\text{IRQ6}}$ )   | PH2/CS6/( $\overline{\text{IRQ6}}$ )   | PH2/CS6/( $\overline{\text{IRQ6}}$ )   | PH2/CS6/( $\overline{\text{IRQ6}}$ )   | PH2/( $\overline{\text{IRQ6}}$ )  | NC                           |  |
| 38       | M2      | PH3/CS7/( $\overline{\text{IRQ7}}$ )/<br>$\overline{\text{OE}}/\overline{\text{CKE}}^{*1}$ | PH3/CS7/( $\overline{\text{IRQ7}}$ )/<br>$\overline{\text{OE}}/\overline{\text{CKE}}^{*1}$ | PH3/CS7/( $\overline{\text{IRQ7}}$ )/<br>$\overline{\text{OE}}/\overline{\text{CKE}}^{*1}$ | PH3/CS7/( $\overline{\text{IRQ7}}$ )/<br>$\overline{\text{OE}}/\overline{\text{CKE}}^{*1}$ | PH3/( $\overline{\text{IRQ7}}$ )  | NC                           |  |
| 39       | M3      | $\overline{\text{WDTOVF}}$   | $\overline{\text{WDTOVF}}$   | $\overline{\text{WDTOVF}}$   | $\overline{\text{WDTOVF}}$   | $\overline{\text{WDTOVF}}$  | NC                           |  |
| 40       | N1      | NMI  | NMI  | NMI  | NMI  | NMI   | Vcc                          |  |
| 41       | N3      | VCL*2  | VCL*2  | VCL*2  | VCL*2  | VCL*2   | VCL*2                        |  |
| 42       | L3      | P10/PO8/<br>TIOCA0   | P10/PO8/<br>TIOCA0   | P10/PO8/<br>TIOCA0   | P10/PO8/<br>TIOCA0   | P10/PO8/<br>TIOCA0  | NC                           |  |
| 43       | M4      | P11/PO9/<br>TIOCB0   | P11/PO9/<br>TIOCB0   | P11/PO9/<br>TIOCB0   | P11/PO9/<br>TIOCB0   | P11/PO9/<br>TIOCB0  | NC                           |  |
| 44       | L4      | P12/PO10/<br>TIOCC0/TCLKA  | P12/PO10/<br>TIOCC0/TCLKA  | P12/PO10/<br>TIOCC0/TCLKA  | P12/PO10/<br>TIOCC0/TCLKA  | P12/PO10/<br>TIOCC0/TCLKA   | NC                           |  |
| 45       | N4      | P13/PO11/<br>TIOCD0/TCLKB  | P13/PO11/<br>TIOCD0/TCLKB  | P13/PO11/<br>TIOCD0/TCLKB  | P13/PO11/<br>TIOCD0/TCLKB  | P13/PO11/<br>TIOCD0/TCLKB   | NC                           |  |
| 46       | M5      | P14/PO12/<br>TIOCA1  | P14/PO12/<br>TIOCA1  | P14/PO12/<br>TIOCA1  | P14/PO12/<br>TIOCA1  | P14/PO12/<br>TIOCA1   | NC                           |  |
| 47       | L5      | P15/PO13/<br>TIOCB1/TCLKC  | P15/PO13/<br>TIOCB1/TCLKC  | P15/PO13/<br>TIOCB1/TCLKC  | P15/PO13/<br>TIOCB1/TCLKC  | P15/PO13/<br>TIOCB1/TCLKC   | NC                           |  |
| 48       | M6      | P16/PO14/<br>TIOCA2/<br>$\overline{\text{EDRAK2}}^{*3}$                                    | P16/PO14/<br>TIOCA2/<br>$\overline{\text{EDRAK2}}^{*3}$                                    | P16/PO14/<br>TIOCA2/<br>$\overline{\text{EDRAK2}}^{*3}$                                    | P16/PO14/<br>TIOCA2/<br>$\overline{\text{EDRAK2}}^{*3}$                                    | P16/PO14/<br>TIOCA2/  | NC                           |  |

| Pin No.  |         | Pin Name   |  |  |  |                                     | Flash Memory Programmer Mode |  |
|----------|---------|--|--|--|--|-------------------------------------|------------------------------|--|
| LQFP-144 | LGA-145 | Mode 1 <sup>*4</sup>                               | Mode 2 <sup>*4</sup>                               | Mode 4   | Mode 7   |                                     | Flash Memory Programmer Mode |  |
|          |         |  |  |  | EXPE = 1   | EXPE = 0                            |                              |  |
| 49       | N5      | P17/PO15/<br>TIOCB2/TCLKD/<br>EDRAK3 <sup>*3</sup> | P17/PO15/<br>TIOCB2/TCLKD/<br>EDRAK3 <sup>*3</sup> | P17/PO15/<br>TIOCB2/TCLKD/<br>EDRAK3 <sup>*3</sup> | P17/PO15/<br>TIOCB2/TCLKD/<br>EDRAK3 <sup>*3</sup> | P17/PO15/<br>TIOCB2/TCLKD           | NC                           |  |
| 50       | K5      | Vss  | Vss  | Vss  | Vss  | Vss                                 | Vss                          |  |
| 51       | L6      | P20/PO0/<br>TIOCA3/(IRQ8)                          | P20/PO0/<br>TIOCA3/(IRQ8)                          | P20/PO0/<br>TIOCA3/(IRQ8)                          | P20/PO0/<br>TIOCA3/(IRQ8)                          | P20/PO0/<br>TIOCA3/(IRQ8)           | NC                           |  |
| 52       | M7      | P21/PO1/<br>TIOCB3/(IRQ9)                          | P21/PO1/<br>TIOCB3/(IRQ9)                          | P21/PO1/<br>TIOCB3/(IRQ9)                          | P21/PO1/<br>TIOCB3/(IRQ9)                          | P21/PO1/<br>TIOCB3/(IRQ9)           | NC                           |  |
| 53       | N6      | P22/PO2/<br>TIOCC3/(IRQ10)                         | P22/PO2/<br>TIOCC3/(IRQ10)                         | P22/PO2/<br>TIOCC3/(IRQ10)                         | P22/PO2/<br>TIOCC3/(IRQ10)                         | P22/PO2/<br>TIOCC3/(IRQ10)          | OE                           |  |
| 54       | K6      | P23/PO3/<br>TIOCD3/TxD4/<br>(IRQ11)                | P23/PO3/<br>TIOCD3/TxD4/<br>(IRQ11)                | P23/PO3/<br>TIOCD3/TxD4/<br>(IRQ11)                | P23/PO3/<br>TIOCD3/TxD4/<br>(IRQ11)                | P23/PO3/<br>TIOCD3/TxD4/<br>(IRQ11) | CE                           |  |
| 55       | K7      | P24/PO4/<br>TIOCA4/RxD4/<br>(IRQ12)                | P24/PO4/<br>TIOCA4/RxD4/<br>(IRQ12)                | P24/PO4/<br>TIOCA4/RxD4/<br>(IRQ12)                | P24/PO4/<br>TIOCA4/RxD4/<br>(IRQ12)                | P24/PO4/<br>TIOCA4/RxD4/<br>(IRQ12) | WE                           |  |
| 56       | K8      | P25/PO5/<br>TIOCB4/<br>(IRQ13)                     | P25/PO5/<br>TIOCB4/<br>(IRQ13)                     | P25/PO5/<br>TIOCB4/<br>(IRQ13)                     | P25/PO5/<br>TIOCB4/<br>(IRQ13)                     | P25/PO5/<br>TIOCB4/<br>(IRQ13)      | Vss                          |  |
| 57       | N7      | P26/PO6/<br>TIOCA5/(IRQ14)                         | P26/PO6/<br>TIOCA5/(IRQ14)                         | P26/PO6/<br>TIOCA5/(IRQ14)                         | P26/PO6/<br>TIOCA5/(IRQ14)                         | P26/PO6/<br>TIOCA5/(IRQ14)          | NC                           |  |
| 58       | M8      | P27/PO7/<br>TIOCB5/(IRQ15)                         | P27/PO7/<br>TIOCB5/(IRQ15)                         | P27/PO7/<br>TIOCB5/(IRQ15)                         | P27/PO7/<br>TIOCB5/(IRQ15)                         | P27/PO7/<br>TIOCB5/(IRQ15)          | NC                           |  |
| 59       | L7      | P83/(IRQ3)/<br>RxD3/<br>ETEND3 <sup>*3</sup>       | P83/(IRQ3)/<br>RxD3/<br>ETEND3 <sup>*3</sup>       | P83/(IRQ3)/<br>RxD3/<br>ETEND3 <sup>*3</sup>       | P83/(IRQ3)/<br>RxD3/<br>ETEND3 <sup>*3</sup>       | P83/(IRQ3)/<br>RxD3                 | NC                           |  |
| 60       | K9      | P84/(IRQ4)/<br>EDACK2                              | P84/(IRQ4)/<br>EDACK2                              | P84/(IRQ4)/<br>EDACK2                              | P84/(IRQ4)/<br>EDACK2                              | P84/(IRQ4)                          | NC                           |  |
| 61       | N8      | P85/(IRQ5)/<br>SCK3/<br>EDACK3 <sup>*3</sup>       | P85/(IRQ5)/<br>SCK3/<br>EDACK3 <sup>*3</sup>       | P85/(IRQ5)/<br>SCK3/<br>EDACK3 <sup>*3</sup>       | P85/(IRQ5)/<br>SCK3/<br>EDACK3 <sup>*3</sup>       | P85/(IRQ5)/<br>SCK3                 | NC                           |  |
| 62       | M9      | DCTL   | DCTL   | DCTL   | DCTL   | DCTL                                | NC                           |  |
| 63       | L8      | D0   | PE0/D0   | PE0/D0   | PE0/D0   | PE0                                 | NC                           |  |
| 64       | K10     | D1   | PE1/D1   | PE1/D1   | PE1/D1   | PE1                                 | NC                           |  |
| 65       | N9      | D2   | PE2/D2   | PE2/D2   | PE2/D2   | PE2                                 | NC                           |  |
| 66       | M10     | D3   | PE3/D3   | PE3/D3   | PE3/D3   | PE3                                 | NC                           |  |
| 67       | L9      | D4   | PE4/D4   | PE4/D4   | PE4/D4   | PE4                                 | NC                           |  |
| 68       | N10     | D5   | PE5/D5   | PE5/D5   | PE5/D5   | PE5                                 | NC                           |  |

| Pin No.      |             | Pin Name                  |                           |                           |                           |                           |      | Flash Memory<br>Programmer<br>Mode |
|--------------|-------------|---------------------------|---------------------------|---------------------------|---------------------------|---------------------------|------|------------------------------------|
| LQFP-<br>144 | LGA-<br>145 | Mode 1*4                  | Mode 2*4                  | Mode 4                    | Mode 7                    |                           |      |                                    |
|              |             |                           |                           |                           | EXPE = 1                  | EXPE = 0                  |      |                                    |
| 69           | M11         | D6                        | PE6/D6                    | PE6/D6                    | PE6/D6                    | PE6                       | NC   |                                    |
| 70           | L10         | Vss                       | Vss                       | Vss                       | Vss                       | Vss                       | Vss  |                                    |
| 71           | N11         | D7                        | PE7/D7                    | PE7/D7                    | PE7/D7                    | PE7                       | NC   |                                    |
| 72           | N12         | Vcc                       | Vcc                       | Vcc                       | Vcc                       | Vcc                       | Vcc  |                                    |
| 73           | M13         | D8                        | D8                        | D8                        | D8                        | PD0                       | I/O0 |                                    |
| 74           | N13         | D9                        | D9                        | D9                        | D9                        | PD1                       | I/O1 |                                    |
| 75           | L12         | D10                       | D10                       | D10                       | D10                       | PD2                       | I/O2 |                                    |
| 76           | M12         | D11                       | D11                       | D11                       | D11                       | PD3                       | I/O3 |                                    |
| 77           | L11         | D12                       | D12                       | D12                       | D12                       | PD4                       | I/O4 |                                    |
| 78           | L13         | D13                       | D13                       | D13                       | D13                       | PD5                       | I/O5 |                                    |
| 79           | K12         | D14                       | D14                       | D14                       | D14                       | PD6                       | I/O6 |                                    |
| 80           | K11         | D15                       | D15                       | D15                       | D15                       | PD7                       | I/O7 |                                    |
| 81           | J12         | P60/TMR10/<br>DREQ0/IRQ8  | P60/TMR10/<br>DREQ0/IRQ8  | P60/TMR10/<br>DREQ0/IRQ8  | P60/TMR10/<br>DREQ0/IRQ8  | P60/TMR10/<br>DREQ0/IRQ8  | NC   |                                    |
| 82           | K13         | P61/TMR11/<br>DREQ1/IRQ9  | P61/TMR11/<br>DREQ1/IRQ9  | P61/TMR11/<br>DREQ1/IRQ9  | P61/TMR11/<br>DREQ1/IRQ9  | P61/TMR11/<br>DREQ1/IRQ9  | NC   |                                    |
| 83           | J10         | P62/TMC10/<br>TEND0/IRQ10 | P62/TMC10/<br>TEND0/IRQ10 | P62/TMC10/<br>TEND0/IRQ10 | P62/TMC10/<br>TEND0/IRQ10 | P62/TMC10/<br>TEND0/IRQ10 | NC   |                                    |
| 84           | J11         | PF0/WAIT                  | PF0/WAIT                  | PF0/WAIT                  | PF0/WAIT                  | PF0                       | NC   |                                    |
| 85           | H12         | PF1/UCAS/<br>IRQ14/DQMU*1 | PF1/UCAS/<br>IRQ14/DQMU*1 | PF1/UCAS/<br>IRQ14/DQMU*1 | PF1/UCAS/<br>IRQ14/DQMU*1 | PF1/IRQ14                 | NC   |                                    |
| 86           | H10         | PF2/LCAS/<br>IRQ15/DQML*1 | PF2/LCAS/<br>IRQ15/DQML*1 | PF2/LCAS/<br>IRQ15/DQML*1 | PF2/LCAS/<br>IRQ15/DQML*1 | PF2/IRQ15                 | NC   |                                    |
| 87           | J13         | PF3/LWR                   | PF3/LWR                   | PF3/LWR                   | PF3/LWR                   | PF3                       | NC   |                                    |
| 88           | H11         | HWR                       | HWR                       | HWR                       | HWR                       | PF4                       | NC   |                                    |
| 89           | G12         | RD                        | RD                        | RD                        | RD                        | PF5                       | NC   |                                    |
| 90           | G10         | PF6/AS                    | PF6/AS                    | PF6/AS                    | PF6/AS                    | PF6                       | NC   |                                    |
| 91           | H13         | PLLvcc                    | PLLvcc                    | PLLvcc                    | PLLvcc                    | PLLvcc                    | Vcc  |                                    |
| 92           | F12         | RES                       | RES                       | RES                       | RES                       | RES                       | RES  |                                    |
| 93           | G13         | PLLvss                    | PLLvss                    | PLLvss                    | PLLvss                    | PLLvss                    | Vss  |                                    |
| 94           | F10         | PF7/φ                     | PF7/φ                     | PF7/φ                     | PF7/φ                     | PF7/φ                     | NC   |                                    |
| 95           | E10         | Vss                       | Vss                       | Vss                       | Vss                       | Vss                       | Vss  |                                    |
| 96           | F13         | XTAL                      | XTAL                      | XTAL                      | XTAL                      | XTAL                      | XTAL |                                    |

| Pin No.      |             | Pin Name   |  |  |  |   |       | Flash Memory<br>Programmer<br>Mode |
|--------------|-------------|--|--|--|--|---|-------|------------------------------------|
| LQFP-<br>144 | LGA-<br>145 | Mode 1 <sup>*4</sup>   | Mode 2 <sup>*4</sup>   | Mode 4   | Mode 7   |   |       |                                    |
|              |             |  |  |  | EXPE = 1   | EXPE = 0                                      |       |                                    |
| 97           | E13         | EXTAL  | EXTAL  | EXTAL  | EXTAL  | EXTAL   | EXTAL |                                    |
| 98           | F11         | Vcc  | Vcc  | Vcc  | Vcc  | Vcc   | Vcc   |                                    |
| 99           | D12         | Vcc  | Vcc  | Vcc  | Vcc  | Vcc   | Vcc   |                                    |
| 100          | G11         | NC   | NC   | NC   | NC   | NC  | NC    |                                    |
| 101          | E12         | NC   | NC   | NC   | NC   | NC  | NC    |                                    |
| 102          | E11         | Vss  | Vss  | Vss  | Vss  | Vss   | Vss   |                                    |
| 103          | D13         | $\overline{\text{STBY}}$   | $\overline{\text{STBY}}$   | $\overline{\text{STBY}}$   | $\overline{\text{STBY}}$   | $\overline{\text{STBY}}$                      | Vcc   |                                    |
| 104          | D10         | P63/TMC11/<br>$\overline{\text{TEND1/IRQ11}}$                      | P63/TMC11/<br>$\overline{\text{TEND1/IRQ11}}$                      | P63/TMC11/<br>$\overline{\text{TEND1/IRQ11}}$                      | P63/TMC11/<br>$\overline{\text{TEND1/IRQ11}}$                      | P63/TMC11/<br>$\overline{\text{TEND1/IRQ11}}$ | NC    |                                    |
| 105          | C12         | P64/TMO0/<br>$\overline{\text{DACK0/IRQ12}}$                       | P64/TMO0/<br>$\overline{\text{DACK0/IRQ12}}$                       | P64/TMO0/<br>$\overline{\text{DACK0/IRQ12}}$                       | P64/TMO0/<br>$\overline{\text{DACK0/IRQ12}}$                       | P64/TMO0/<br>$\overline{\text{DACK0/IRQ12}}$  | NC    |                                    |
| 106          | C13         | P65/TMO1/<br>$\overline{\text{DACK1/IRQ13}}$                       | P65/TMO1/<br>$\overline{\text{DACK1/IRQ13}}$                       | P65/TMO1/<br>$\overline{\text{DACK1/IRQ13}}$                       | P65/TMO1/<br>$\overline{\text{DACK1/IRQ13}}$                       | P65/TMO1/<br>$\overline{\text{DACK1/IRQ13}}$  | NC    |                                    |
| 107          | D11         | PG0/ $\overline{\text{CS0}}$                                       | PG0/ $\overline{\text{CS0}}$                                       | PG0/ $\overline{\text{CS0}}$                                       | PG0/ $\overline{\text{CS0}}$                                       | PG0   | NC    |                                    |
| 108          | B13         | PG1/ $\overline{\text{CS1}}$                                       | PG1/ $\overline{\text{CS1}}$                                       | PG1/ $\overline{\text{CS1}}$                                       | PG1/ $\overline{\text{CS1}}$                                       | PG1   | NC    |                                    |
| 109          | A12         | PG2/ $\overline{\text{CS2/}}$<br>$\overline{\text{RAS2/RAS}}$      | PG2/ $\overline{\text{CS2/}}$<br>$\overline{\text{RAS2/RAS}}$      | PG2/ $\overline{\text{CS2/}}$<br>$\overline{\text{RAS2/RAS}}$      | PG2/ $\overline{\text{CS2/}}$<br>$\overline{\text{RAS2/RAS}}$      | PG2   | NC    |                                    |
| 110          | A13         | PG3/ $\overline{\text{CS3/}}$<br>$\overline{\text{RAS3/CAS}}^{*1}$ | PG3/ $\overline{\text{CS3/}}$<br>$\overline{\text{RAS3/CAS}}^{*1}$ | PG3/ $\overline{\text{CS3/}}$<br>$\overline{\text{RAS3/CAS}}^{*1}$ | PG3/ $\overline{\text{CS3/}}$<br>$\overline{\text{RAS3/CAS}}^{*1}$ | PG3   | NC    |                                    |
| 111          | B11         | AVcc   | AVcc   | AVcc   | AVcc   | AVcc  | Vcc   |                                    |
| 112          | B12         | Vref   | Vref   | Vref   | Vref   | Vref  | NC    |                                    |
| 113          | A11         | P40/AN0  | P40/AN0  | P40/AN0  | P40/AN0  | P40/AN0                                       | NC    |                                    |
| 114          | C11         | P41/AN1  | P41/AN1  | P41/AN1  | P41/AN1  | P41/AN1                                       | NC    |                                    |
| 115          | B10         | P42/AN2  | P42/AN2  | P42/AN2  | P42/AN2  | P42/AN2                                       | NC    |                                    |
| 116          | C10         | P43/AN3  | P43/AN3  | P43/AN3  | P43/AN3  | P43/AN3                                       | NC    |                                    |
| 117          | A10         | P44/AN4  | P44/AN4  | P44/AN4  | P44/AN4  | P44/AN4                                       | NC    |                                    |
| 118          | B9          | P45/AN5  | P45/AN5  | P45/AN5  | P45/AN5  | P45/AN5                                       | NC    |                                    |
| 119          | C9          | P46/AN6/DA0 <sup>*3</sup>  | P46/AN6/DA0 <sup>*3</sup>  | P46/AN6/DA0 <sup>*3</sup>  | P46/AN6/DA0 <sup>*3</sup>  | P46/AN6/DA0 <sup>*3</sup>                     | NC    |                                    |
| 120          | B8          | P47/AN7/DA1 <sup>*3</sup>  | P47/AN7/DA1 <sup>*3</sup>  | P47/AN7/DA1 <sup>*3</sup>  | P47/AN7/DA1 <sup>*3</sup>  | P47/AN7/DA1 <sup>*3</sup>                     | NC    |                                    |
| 121          | A9          | P90/AN8  | P90/AN8  | P90/AN8  | P90/AN8  | P90/AN8                                       | NC    |                                    |
| 122          | D9          | P91/AN9  | P91/AN9  | P91/AN9  | P91/AN9  | P91/AN9                                       | NC    |                                    |
| 123          | C8          | P92/AN10   | P92/AN10   | P92/AN10   | P92/AN10   | P92/AN10                                      | NC    |                                    |
| 124          | B7          | P93/AN11   | P93/AN11   | P93/AN11   | P93/AN11   | P93/AN11                                      | NC    |                                    |



| Pin No.  |         | Pin Name                   |                            |                            |                            |                            | Flash Memory Programmer Mode |  |
|----------|---------|----------------------------|----------------------------|----------------------------|----------------------------|----------------------------|------------------------------|--|
| LQFP-144 | LGA-145 | Mode 1*4                   | Mode 2*4                   | Mode 4                     | Mode 7                     |                            | Flash Memory Programmer Mode |  |
|          |         |                            |                            |                            | EXPE = 1                   | EXPE = 0                   |                              |  |
| 125      | A8      | P94/AN12/DA2               | P94/AN12/DA2               | P94/AN12/DA2               | P94/AN12/DA2               | P94/AN12/DA2               | NC                           |  |
| 126      | D8      | P95/AN13/DA3               | P95/AN13/DA3               | P95/AN13/DA3               | P95/AN13/DA3               | P95/AN13/DA3               | NC                           |  |
| 127      | D7      | P96/AN14/DA4*3             | P96/AN14/DA4*3             | P96/AN14/DA4*3             | P96/AN14/DA4*3             | P96/AN14/DA4*3             | NC                           |  |
| 128      | D6      | P97/AN15/DA5*3             | P97/AN15/DA5*3             | P97/AN15/DA5*3             | P97/AN15/DA5*3             | P97/AN15/DA5*3             | NC                           |  |
| 129      | A7      | AVss                       | AVss                       | AVss                       | AVss                       | AVss                       | Vss                          |  |
| 130      | B6      | PG4/BREQ $\bar{O}$         | PG4/BREQ $\bar{O}$         | PG4/BREQ $\bar{O}$         | PG4/BREQ $\bar{O}$         | PG4                        | NC                           |  |
| 131      | C7      | PG5/BACK                   | PG5/BACK                   | PG5/BACK                   | PG5/BACK                   | PG5                        | NC                           |  |
| 132      | D5      | PG6/BREQ $\bar{Q}$         | PG6/BREQ $\bar{Q}$         | PG6/BREQ $\bar{Q}$         | PG6/BREQ $\bar{Q}$         | PG6                        | NC                           |  |
| 133      | A6      | P50/TxD2/IRQ $\bar{O}$     | P50/TxD2/IRQ $\bar{O}$     | P50/TxD2/IRQ $\bar{O}$     | P50/TxD2/IRQ $\bar{O}$     | P50/TxD2/IRQ $\bar{O}$     | Vss                          |  |
| 134      | B5      | P51/RxD2/IRQ $\bar{I}$     | P51/RxD2/IRQ $\bar{I}$     | P51/RxD2/IRQ $\bar{I}$     | P51/RxD2/IRQ $\bar{I}$     | P51/RxD2/IRQ $\bar{I}$     | Vss                          |  |
| 135      | C6      | P52/SCK2/IRQ $\bar{2}$     | P52/SCK2/IRQ $\bar{2}$     | P52/SCK2/IRQ $\bar{2}$     | P52/SCK2/IRQ $\bar{2}$     | P52/SCK2/IRQ $\bar{2}$     | Vcc                          |  |
| 136      | D4      | P53/ADTRG/IRQ $\bar{3}$    | P53/ADTRG/IRQ $\bar{3}$    | P53/ADTRG/IRQ $\bar{3}$    | P53/ADTRG/IRQ $\bar{3}$    | P53/ADTRG/IRQ $\bar{3}$    | NC                           |  |
| 137      | A5      | P35/SCK1/SCL0/(OE)/(CKE)*1 | P35/SCK1/SCL0/(OE)/(CKE)*1 | P35/SCK1/SCL0/(OE)/(CKE)*1 | P35/SCK1/SCL0/(OE)/(CKE)*1 | P35/SCK1/SCL0/(OE)/(CKE)*1 | NC                           |  |
| 138      | B4      | P34/SCK0/SCK4/SDA0         | P34/SCK0/SCK4/SDA0         | P34/SCK0/SCK4/SDA0         | P34/SCK0/SCK4/SDA0         | P34/SCK0/SCK4/SDA0         | NC                           |  |
| 139      | C5      | P33/RxD1/SCL1              | P33/RxD1/SCL1              | P33/RxD1/SCL1              | P33/RxD1/SCL1              | P33/RxD1/SCL1              | NC                           |  |
| 140      | A4      | P32/RxD0/IrRxD/SDA1        | P32/RxD0/IrRxD/SDA1        | P32/RxD0/IrRxD/SDA1        | P32/RxD0/IrRxD/SDA1        | P32/RxD0/IrRxD/SDA1        | Vcc                          |  |
| 141      | B3      | P31/TxD1                   | P31/TxD1                   | P31/TxD1                   | P31/TxD1                   | P31/TxD1                   | NC                           |  |
| 142      | C4      | P30/TxD0/IrTxD             | P30/TxD0/IrTxD             | P30/TxD0/IrTxD             | P30/TxD0/IrTxD             | P30/TxD0/IrTxD             | NC                           |  |
| 143      | A3      | MD0                        | MD0                        | MD0                        | MD0                        | MD0                        | Vss                          |  |
| 144      | A2      | MD1                        | MD1                        | MD1                        | MD1                        | MD1                        | Vss                          |  |
| 145      | E5      | NC                         | NC                         | NC                         | NC                         | NC                         | NC                           |  |

- Notes:
1. Not available for the H8S/2378 Group.
  2. These pins are Vcc pins in the H8S/2377, H8S/2377R, H8S/2376, H8S/2375, H8S/2375R, H8S/2373, and H8S/2373R.
  3. Not available for the H8S/2375 and H8S/2375R.
  4. Only modes 1 and 2 may be used on ROM-less version.
  5. This port is assigned as A20 in modes 1 and 2.

## 1.3.3 Pin Functions

Table 1.2 Pin Functions

| Type         | Symbol             | Pin No.  |   |                                      |  | I/O    | Function  |
|--------------|--------------------|--|---|--------------------------------------|--|--------|---|
|              |                    | H8S/2378<br>0.18μm<br>F-ZTAT Group,<br>H8S/2378R<br>0.18μm<br>F-ZTAT Group<br>(LQFP-144) | H8S/2378<br>0.18μm<br>F-ZTAT Group,<br>H8S/2378R<br>0.18μm<br>F-ZTAT Group<br>(LGA-145) | H8S/2377<br>H8S/2377R                | H8S/2375<br>H8S/2373<br>H8S/2375R<br>H8S/2373R |        |   |
| Power supply | V <sub>CC</sub>    | 4, 41, 72,<br>98, 99   | B2, N12,<br>F11, D12  | 4, 41, 72,<br>98, 99                 | 4, 41, 72,<br>98, 99                           | Input  | For connection to the power supply. V <sub>CC</sub> pins should be connected to the system power supply.  |
|              | V <sub>SS</sub>    | 2, 10, 18,<br>25, 50, 70,<br>95, 102   | A1, E2,<br>F4, H1,<br>K5, L10,<br>E10, E11  | 2, 10, 18,<br>25, 50, 70,<br>95, 102 | 2, 10, 18,<br>25, 50, 70,<br>95, 102           | Input  | For connection to ground. V <sub>SS</sub> pins should be connected to the system power supply (0 V).  |
|              | PLL <sub>VCC</sub> | 91   | H13   | 91                                   | 91   | Input  | Power supply pin for the on-chip PLL oscillator.  |
|              | PLL <sub>VSS</sub> | 93   | G13   | 93                                   | 93   | Input  | Ground pin for the on-chip PLL oscillator.  |
|              | VCL <sup>*3</sup>  | 41   | N3  | —                                    | —  | Output | This pin must not be connected to the system power supply and should be connected V <sub>SS</sub> pin via 0.1-μF (recommended value) capacitor (place it close to pin). |

|       |                      | Pin No.  |   |                       |  |        |  |
|-------|----------------------|--|---|-----------------------|--|--------|--|
| Type  | Symbol               | H8S/2378<br>0.18μm<br>F-ZTAT Group,<br>H8S/2378R<br>0.18μm<br>F-ZTAT Group<br>(LQFP-144) | H8S/2378<br>0.18μm<br>F-ZTAT Group,<br>H8S/2378R<br>0.18μm<br>F-ZTAT Group<br>(LGA-145) | H8S/2377<br>H8S/2377R | H8S/2375<br>H8S/2373<br>H8S/2375R<br>H8S/2373R | I/O    | Function   |
| Clock | XTAL                 | 96   | F13   | 96                    | 96   | Input  | For connection to a crystal oscillator. See section 23, Clock Pulse Generator, for typical connection diagrams for a crystal resonator and external clock input.   |
|       | EXTAL                | 97   | E13   | 97                    | 97   | Input  | For connection to a crystal oscillator. The EXTAL pin can also input an external clock. See section 23, Clock Pulse Generator, for typical connection diagrams for a crystal resonator and external clock input. |
|       | φ                    | 94   | F10   | 94                    | 94   | Output | Supplies the system clock to external devices.   |
|       | SDRAMφ <sup>*1</sup> | 36   | M1  | 36                    | 36   | Output | When a synchronous DRAM is connected, this pin is connected to the CLK pin of the synchronous DRAM. For details, refer to section 6, Bus Controller (BSC).   |

|                              |                          | Pin No.  |   |                       |                       |       |  |
|------------------------------|--------------------------|--|---|-----------------------|-----------------------|-------|--|
| Type                         | Symbol                   | H8S/2378   | H8S/2378  |                       | H8S/2375              | I/O   | Function   |
|                              |                          | 0.18μm<br>F-ZTAT Group,<br>H8S/2378R<br>0.18μm<br>F-ZTAT Group<br>(LQFP-144) | 0.18μm<br>F-ZTAT Group,<br>H8S/2378R<br>0.18μm<br>F-ZTAT Group<br>(LGA-145) | H8S/2377<br>H8S/2377R | H8S/2373<br>H8S/2373R |       |  |
| Operating<br>mode<br>control | MD2                      | 1, 144,  | B1, A2,   | 1, 144,               | 1, 144,               | Input | These pins set the<br>operating mode.<br>These pins should<br>not be changed<br>while the MCU is<br>operating.   |
|                              | MD1                      | 143  | A3  | 143                   | 143                   |       |  |
|                              | MD0                      |  |   |                       |                       |       |  |
|                              | DCTL <sup>*1</sup>       | 62   | M9  | 62                    | 62                    | Input | When this pin is<br>driven high for the<br>H8S/2378R Group,<br>SDRAM <sub>φ</sub> dedicated<br>to the synchronous<br>DRAM is output.<br><br>When not using the<br>synchronous DRAM<br>interface or for the<br>H8S/2378 Group,<br>drive this pin low.<br>The level of this pin<br>must not be<br>changed during<br>operation. |
| System<br>control            | $\overline{\text{RES}}$  | 92   | F12   | 92                    | 92                    | Input | Reset pin. When<br>this pin is driven<br>low, the chip is<br>reset.  |
|                              | $\overline{\text{STBY}}$ | 103  | D13   | 103                   | 103                   | Input | When this pin is<br>driven low, a<br>transition is made to<br>hardware standby<br>mode.  |

|                |        | Pin No.  |   |                       |  |       |   |
|----------------|--------|--|---|-----------------------|--|-------|---|
| Type           | Symbol | H8S/2378<br>0.18μm<br>F-ZTAT Group,<br>H8S/2378R<br>0.18μm<br>F-ZTAT Group<br>(LQFP-144) | H8S/2378<br>0.18μm<br>F-ZTAT Group,<br>H8S/2378R<br>0.18μm<br>F-ZTAT Group<br>(LGA-145) | H8S/2377<br>H8S/2377R | H8S/2375<br>H8S/2373<br>H8S/2375R<br>H8S/2373R | I/O   | Function  |
| System control | EMLE   | 32   | K1  | 32                    | 32   | Input | <p>On-chip Emulator Enable Pin</p> <p>When the on-chip emulator in the H8S/2378 0.18μm F-ZTAT Group, H8S/2377, H8S/2377R, or H8S/2378R 0.18μm F-ZTAT Group is used, this pin should be fixed high. At this time, pins P53, PG4 to PG6, and <math>\overline{\text{WDTOVF}}</math> are exclusively for the on-chip emulator, therefore, the corresponding pin functions of those pins are not available.</p> <p>When the on-chip emulator is not used or the H8S/2375, H8S/2375R, H8S/2373, or H8S/2373R is used, this pin should be fixed low.</p> <p>For details, refer to E10A Emulator User's Manual.</p> |

|             |   | Pin No.  |   |   |  |                  |   |
|-------------|---|--|---|---|--|------------------|---|
| Type        | Symbol                                  | H8S/2378<br>0.18μm<br>F-ZTAT Group,<br>H8S/2378R<br>0.18μm<br>F-ZTAT Group<br>(LQFP-144) | H8S/2378<br>0.18μm<br>F-ZTAT Group,<br>H8S/2378R<br>0.18μm<br>F-ZTAT Group<br>(LGA-145)                             | H8S/2377<br>H8S/2377R                         | H8S/2375<br>H8S/2373<br>H8S/2375R<br>H8S/2373R | I/O              | Function  |
| Address bus | A23 to A0                               | 31 to 26,<br>24 to 19,<br>17 to 11,<br>9 to 5  | J3, K2, J1,<br>K4, H3, J2,<br>J4, G3, H2,<br>G1, H4, G4,<br>F1, G2, F3,<br>E4, E1, F2,<br>E3, D1, D3,<br>D2, C3, C1 | 31 to 26,<br>24 to 19,<br>17 to 11,<br>9 to 5 | 31 to 26,<br>24 to 19,<br>17 to 11,<br>9 to 5  | Output           | These pins output an address.   |
| Data bus    | D15 to D0                               | 80 to 73, 71,<br>69 to 63  | K11, K12,<br>L13, L11,<br>M12, L12,<br>N13, M13,<br>N11, M11,<br>N10, L9, M10,<br>N9, K10, L8                       | 80 to 73,<br>71,<br>69 to 63                  | 80 to 73,<br>71,<br>69 to 63                   | Input/<br>output | These pins constitute a bidirectional data bus.                                     |
| Bus control | $\overline{CS7}$ to<br>$\overline{CS0}$ | 38 to 35,<br>110 to 107  | M2, N2, M1,<br>L1, A13, A12,<br>B13, D11  | 38 to 35,<br>110 to 107                       | 38 to 35,<br>110 to 107                        | Output           | Signals that select division areas 7 to 0 in the external address space             |
|             | $\overline{AS}$                         | 90   | G10   | 90  | 90   | Output           | When this pin is low, it indicates that address output on the address bus is valid. |
|             | $\overline{RD}$                         | 89   | G12   | 89  | 89   | Output           | When this pin is low, it indicates that the external address space is being read.   |

|             |                           | Pin No.  |   |                       |  |        |  |
|-------------|---------------------------|--|---|-----------------------|--|--------|--|
|             |                           | H8S/2378<br>0.18μm<br>F-ZTAT Group,<br>H8S/2378R<br>0.18μm<br>F-ZTAT Group<br>(LQFP-144) | H8S/2378<br>0.18μm<br>F-ZTAT Group,<br>H8S/2378R<br>0.18μm<br>F-ZTAT Group<br>(LGA-145) | H8S/2377<br>H8S/2377R | H8S/2375<br>H8S/2373<br>H8S/2375R<br>H8S/2373R | I/O    | Function   |
| Bus control | $\overline{\text{HWR}}$   | 88   | H11   | 88                    | 88   | Output | Strobe signal indicating that external address space is to be written, and the upper half (D15 to D8) of the data bus is enabled.<br><br>Write enable signal for accessing the DRAM space. |
|             | $\overline{\text{LWR}}$   | 87   | J13   | 87                    | 87   | Output | Strobe signal indicating that external address space is to be written, and the lower half (D7 to D0) of the data bus is enabled.   |
|             | $\overline{\text{BREQ}}$  | 132  | D5  | 132                   | 132  | Input  | The external bus master requests the bus to this LSI.  |
|             | $\overline{\text{BREQO}}$ | 130  | B6  | 130                   | 130  | Output | External bus request signal when the internal bus master accesses the external space in external bus release state.  |
|             | $\overline{\text{BACK}}$  | 131  | C7  | 131                   | 131  | Output | Indicates the bus is released to the external bus master.  |

| Type           | Symbol             | Pin No.  |   |                       |  | I/O    | Function  |
|----------------|--------------------|--|---|-----------------------|--|--------|---|
|                |                    | H8S/2378<br>0.18μm<br>F-ZTAT Group,<br>H8S/2378R<br>0.18μm<br>F-ZTAT Group<br>(LQFP-144) | H8S/2378<br>0.18μm<br>F-ZTAT Group,<br>H8S/2378R<br>0.18μm<br>F-ZTAT Group<br>(LGA-145) | H8S/2377<br>H8S/2377R | H8S/2375<br>H8S/2373<br>H8S/2375R<br>H8S/2373R |        |   |
| Bus<br>control | $\overline{UCAS}$  | 85   | H12   | 85                    | 85   | Output | Upper column address strobe signal for accessing the 16-bit DRAM space.<br><br>Column address strobe signal for accessing the 8-bit DRAM space.   |
|                | $\overline{LCAS}$  | 86   | H10   | 86                    | 86   | Output | Lower column address strobe signal for accessing the 16-bit DRAM space.   |
|                | DQMU <sup>*1</sup> | 85   | H12   | 85                    | 85   | Output | Upper data mask enable signal for 16-bit synchronous DRAM for accessing the 16-bit synchronous DRAM space.<br><br>Data mask enable signal for accessing the 8-bit synchronous DRAM space. |
|                | DQML <sup>*1</sup> | 86   | H10   | 86                    | 86   | Output | Lower-data mask enable signal for accessing the 16-bit synchronous DRAM interface space.  |



|             |                              | Pin No.                 |                        |           |           |        |  |
|-------------|------------------------------|-------------------------|------------------------|-----------|-----------|--------|--|
| Type        | Symbol                       | H8S/2378                | H8S/2378               |           |           |        |  |
|             |                              | 0.18μm                  | 0.18μm                 |           |           |        |  |
|             |                              | F-ZTAT Group,           | F-ZTAT Group,          |           |           |        |  |
|             |                              | H8S/2378R               | H8S/2378R              | H8S/2377  | H8S/2375  |        |  |
|             |                              | 0.18μm                  | 0.18μm                 | H8S/2377R | H8S/2373R | I/O    | Function   |
|             |                              | F-ZTAT Group (LQFP-144) | F-ZTAT Group (LGA-145) |           |           |        |  |
| Bus control | $\overline{\text{RAS}}$      | 109, 110,               | A12,                   | 109, 110, | 109, 110, | Output | Row address strobe signal for the synchronous DRAM interface.<br><br>$\overline{\text{RAS}}$ signal is a row address strobe signal when areas 2 to 5 are set to the continuous DRAM space. |
|             | $\overline{\text{RAS2}}$     | 35, 36                  | A13,                   | 35, 36    | 35, 36    |        |  |
|             | $\overline{\text{RAS3}}$ to  |                         | L1,                    |           |           |        |  |
|             | $\overline{\text{RAS5}}$     |                         | M1                     |           |           |        |  |
|             |                              |                         |                        |           |           |        |  |
|             | $\overline{\text{RAS}}^{*1}$ | 109                     | A12                    | 109       | 109       | Output | Row address strobe signal for the synchronous DRAM of the synchronous DRAM interface.  |
|             | $\overline{\text{CAS}}^{*1}$ | 110                     | A13                    | 110       | 110       | Output | Column address strobe signal for the synchronous DRAM of the synchronous DRAM interface.   |
|             | $\overline{\text{WE}}^{*1}$  | 35                      | L1                     | 35        | 35        | Output | Write enable signal for the synchronous DRAM of the synchronous DRAM interface.  |
|             | WAIT                         | 84                      | J11                    | 84        | 84        | Input  | Requests insertion of a wait state in the bus cycle when accessing external 3-state address space.   |

|                   |  | Pin No.  |  |  |  |        |  |
|-------------------|--|--|--|--|--|--------|--|
| Type              | Symbol   | H8S/2378   | H8S/2378   |  |  | I/O    | Function   |
|                   |  | 0.18µm<br>F-ZTAT Group,<br>H8S/2378R<br>0.18µm<br>F-ZTAT Group<br>(LQFP-144) | 0.18µm<br>F-ZTAT Group,<br>H8S/2378R<br>0.18µm<br>F-ZTAT Group<br>(LGA-145)              | H8S/2377<br>H8S/2377R  | H8S/2375<br>H8S/2373<br>H8S/2375R<br>H8S/2373R                 |        |  |
| Bus control       | $\overline{OE}$<br>( $\overline{OE}$ )             | 38,<br>137   | M2,<br>A5  | 38,<br>137   | 38,<br>137   | Output | Output enable signal for DRAM interface space.<br><br>The output pins of $\overline{OE}$ and ( $\overline{OE}$ ) are selected by the port function control register 2 (PF <sub>CR</sub> 2) of port 3.        |
|                   | CKE <sup>*1</sup><br>(CKE) <sup>*1</sup>           | 38,<br>137   | M2,<br>A5  | 38,<br>137   | 38,<br>137   | Output | Clock enable signal of the synchronous DRAM interface space.<br><br>The output pins of CKE and (CKE) are selected by the port function control register 2 (PF <sub>CR</sub> 2) of port 3.                    |
| Interrupt signals | NMI  | 40   | N1   | 40   | 40   | Input  | Nonmaskable interrupt request pin. Fix high when not used.   |
|                   | $\overline{IRQ15}$ to<br>$\overline{IRQ0}$         | 86, 85,<br>106 to 104,<br>83 to 81,<br>31 to 28,<br>136 to 133               | H10, H12,<br>C13, C12,<br>D10, J10,<br>K13, J12,<br>J3, K2, J1,<br>K4, D4, C6,<br>B5, A6 | 86, 85,<br>106 to 104,<br>83 to 81,<br>31 to 28,<br>136 to 133 | 86, 85,<br>106 to 104,<br>83 to 81,<br>31 to 28,<br>136 to 133 | Input  | These pins request a maskable interrupt.<br><br>The input pins of $\overline{IRQn}$ and (IRQ <sub>n</sub> ) are selected by the IRQ pin select register (ITSR) of the interrupt controller.<br>(n = 0 to 15) |
|                   | ( $\overline{IRQ15}$ ) to<br>( $\overline{IRQ0}$ ) | 58 to 51,<br>38, 37,<br>61 to 59,<br>34, 33, 3                               | M8, N7, K8,<br>K7, K6, N6,<br>M7, L6, M2,<br>N2, N8, K9,<br>L7, K3, L2, C2               | 58 to 51,<br>38, 37,<br>61 to 59,<br>34, 33, 3                 | 58 to 51,<br>38, 37,<br>61 to 59,<br>34, 33, 3                 |        |  |

|                                       |                            | Pin No.       |               |           |           |  |  |
|---------------------------------------|----------------------------|---------------|---------------|-----------|-----------|--|--|
| Type                                  | Symbol                     | H8S/2378      | H8S/2378      |           |           |  |  |
|                                       |                            | 0.18μm        | 0.18μm        |           |           | H8S/2375   |  |
|                                       |                            | F-ZTAT Group, | F-ZTAT Group, |           |           | H8S/2373   |  |
|                                       |                            | H8S/2378R     | H8S/2378R     | H8S/2377  | H8S/2375R |  |  |
|                                       |                            | 0.18μm        | 0.18μm        | H8S/2377R | H8S/2373R | I/O  | Function   |
|                                       |                            | F-ZTAT Group  | F-ZTAT Group  |           |           |  |  |
|                                       |                            | (LQFP-144)    | (LGA-145)     |           |           |  |  |
| DMA<br>controller<br>(DMAC)           | $\overline{\text{DREQ1}}$  | 82,           | K13,          | 82,       | 82,       | Input  | These signals<br>request DMAC<br>activation.                     |
|                                       | $\overline{\text{DREQ0}}$  | 81            | J12           | 81        | 81        |  |  |
|                                       | $\overline{\text{TEND1}}$  | 104,          | D10,          | 104,      | 104,      | Output   | These signals<br>indicate the end of<br>DMAC data<br>transfer.   |
|                                       | $\overline{\text{TEND0}}$  | 83            | J10           | 83        | 83        |  |  |
|                                       | $\overline{\text{DACK1}}$  | 106,          | C13,          | 106,      | 106,      | Output   | DMAC single<br>address transfer<br>acknowledge<br>signals.       |
|                                       | $\overline{\text{DACK0}}$  | 105           | C12           | 105       | 105       |  |  |
| EXDMA<br>controller<br>(EXDMAC)<br>*2 | $\overline{\text{EDREQ3}}$ | 33,           | L2,           | 33,       | —         | Input  | These signals<br>request EXDMAC<br>activation.                   |
|                                       | $\overline{\text{EDREQ2}}$ | 3             | C2            | 3         |           |  |  |
|                                       | $\overline{\text{ETEND3}}$ | 59,           | L7,           | 59,       | —         | Output   | These signals<br>indicate the end of<br>EXDMAC data<br>transfer. |
|                                       | $\overline{\text{ETEND2}}$ | 34            | K3            | 34        |           |  |  |
|                                       | $\overline{\text{EDACK3}}$ | 61,           | N8,           | 61,       | —         | Output   | EXDMAC single<br>address transfer<br>acknowledge<br>signals.     |
|                                       | $\overline{\text{EDACK2}}$ | 60            | K9            | 60        |           |  |  |
| $\overline{\text{EDRAK3}}$            | 49,                        | N5,           | 49,           | —         | Output    | These signals notify<br>an external device<br>of acceptance and<br>start of execution of<br>a DMA transfer<br>request. |  |
| $\overline{\text{EDRAK2}}$            | 48                         | M6            | 48            |           |           |  |  |

|                                     |         | Pin No.  |   |                       |                                    |                  |   |
|-------------------------------------|---------|--|---|-----------------------|------------------------------------|------------------|---|
| Type                                | Symbol  | H8S/2378   | H8S/2378  |                       | H8S/2375                           | I/O              | Function  |
|                                     |         | 0.18μm<br>F-ZTAT Group,<br>H8S/2378R<br>0.18μm<br>F-ZTAT Group<br>(LQFP-144) | 0.18μm<br>F-ZTAT Group,<br>H8S/2378R<br>0.18μm<br>F-ZTAT Group<br>(LGA-145) | H8S/2377<br>H8S/2377R | H8S/2373<br>H8S/2375R<br>H8S/2373R |                  |   |
| 16-bit timer<br>pulse<br>unit (TPU) | TCLKA   | 44,  | L4,   | 44,                   | 44,                                | Input            | External clock input<br>pins of the timer.  |
|                                     | TCLKB   | 45,  | N4,   | 45,                   | 45,                                |                  |   |
|                                     | TCLKC   | 47,  | L5,   | 47,                   | 47,                                |                  |   |
|                                     | TCLKD   | 49   | N5  | 49                    | 49                                 |                  |   |
|                                     | TIOCA0  | 42,  | L3,   | 42,                   | 42,                                | Input/<br>output | TGRA_0 to<br>TGRD_0 input<br>capture input/output<br>compare output/<br>PWM output pins.  |
|                                     | TIOCB0  | 43,  | M4,   | 43,                   | 43,                                |                  |   |
|                                     | TIOCC0  | 44,  | L4,   | 44,                   | 44,                                |                  |   |
|                                     | TIOCD0  | 45   | N4  | 45                    | 45                                 |                  |   |
|                                     | TIOCA1  | 46,  | M5,   | 46,                   | 46,                                | Input/<br>output | TGRA_1 and<br>TGRB_1 input<br>capture input/output<br>compare output/<br>PWM output pins. |
|                                     | TIOCB1  | 47   | L5  | 47                    | 47                                 |                  |   |
|                                     | TIOCA2  | 48,  | M6,   | 48,                   | 48,                                | Input/<br>output | TGRA_2 and<br>TGRB_2 input<br>capture input/output<br>compare output/<br>PWM output pins. |
|                                     | TIOCB2  | 49   | N5  | 49                    | 49                                 |                  |   |
|                                     | TIOCA3  | 51,  | L6,   | 51,                   | 51,                                | Input/<br>output | TGRA_3 to<br>TGRD_3 input<br>capture input/output<br>compare output/<br>PWM output pins.  |
|                                     | TIOCB3  | 52,  | M7,   | 52,                   | 52,                                |                  |   |
|                                     | TIOCC3  | 53,  | N6,   | 53,                   | 53,                                |                  |   |
|                                     | TIOCD3  | 54   | K6  | 54                    | 54                                 |                  |   |
|                                     | TIOCA4  | 55,  | K7,   | 55,                   | 55,                                | Input/<br>output | TGRA_4 and<br>TGRB_4 input<br>capture input/output<br>compare output/<br>PWM output pins. |
|                                     | TIOCB4  | 56   | K8  | 56                    | 56                                 |                  |   |
|                                     | TIOCA5, | 57,  | N7,   | 57,                   | 57,                                | Input/<br>output | TGRA_5 and<br>TGRB_5 input<br>capture input/output<br>compare output/<br>PWM output pins. |
|                                     | TIOCB5  | 58   | M8  | 58                    | 58                                 |                  |   |

|  |                | Pin No.  |   |                       |                                    |                  |   |                            |                               |       |      |      |      |                  |   |  |      |       |     |     |     |        |                            |        |     |      |       |                               |        |   |  |       |      |      |                |       |                            |                   |      |      |       |                              |        |   |  |                  |                             |      |                            |        |        |                   |      |     |        |   |  |                |      |      |      |      |        |                   |      |      |      |      |      |      |                |                  |      |      |      |      |      |      |                |                |      |       |                  |     |      |      |      |      |      |      |       |                  |                             |      |      |                |      |     |      |      |      |      |      |      |                |      |                  |                             |      |      |      |                |      |      |      |                  |                             |      |      |     |      |      |                  |                             |     |      |      |      |      |      |      |      |      |      |      |      |      |      |      |     |      |      |     |      |     |
|--|----------------|--|---|-----------------------|------------------------------------|------------------|---|----------------------------|-------------------------------|-------|------|------|------|------------------|---|--|------|-------|-----|-----|-----|--------|----------------------------|--------|-----|------|-------|-------------------------------|--------|---|--|-------|------|------|----------------|-------|----------------------------|-------------------|------|------|-------|------------------------------|--------|---|--|------------------|-----------------------------|------|----------------------------|--------|--------|-------------------|------|-----|--------|---|--|----------------|------|------|------|------|--------|-------------------|------|------|------|------|------|------|----------------|------------------|------|------|------|------|------|------|----------------|----------------|------|-------|------------------|-----|------|------|------|------|------|------|-------|------------------|-----------------------------|------|------|----------------|------|-----|------|------|------|------|------|------|----------------|------|------------------|-----------------------------|------|------|------|----------------|------|------|------|------------------|-----------------------------|------|------|-----|------|------|------------------|-----------------------------|-----|------|------|------|------|------|------|------|------|------|------|------|------|------|------|-----|------|------|-----|------|-----|
| Type   | Symbol         | H8S/2378   | H8S/2378  | H8S/2377<br>H8S/2377R | H8S/2375                           | I/O              | Function  |                            |                               |       |      |      |      |                  |   |  |      |       |     |     |     |        |                            |        |     |      |       |                               |        |   |  |       |      |      |                |       |                            |                   |      |      |       |                              |        |   |  |                  |                             |      |                            |        |        |                   |      |     |        |   |  |                |      |      |      |      |        |                   |      |      |      |      |      |      |                |                  |      |      |      |      |      |      |                |                |      |       |                  |     |      |      |      |      |      |      |       |                  |                             |      |      |                |      |     |      |      |      |      |      |      |                |      |                  |                             |      |      |      |                |      |      |      |                  |                             |      |      |     |      |      |                  |                             |     |      |      |      |      |      |      |      |      |      |      |      |      |      |      |     |      |      |     |      |     |
|  |                | 0.18 $\mu$ m<br>F-ZTAT Group,<br>H8S/2378R<br>0.18 $\mu$ m<br>F-ZTAT Group<br>(LQFP-144) | 0.18 $\mu$ m<br>F-ZTAT Group,<br>H8S/2378R<br>0.18 $\mu$ m<br>F-ZTAT Group<br>(LGA-145) |                       | H8S/2373<br>H8S/2375R<br>H8S/2373R |                  |   |                            |                               |       |      |      |      |                  |   |  |      |       |     |     |     |        |                            |        |     |      |       |                               |        |   |  |       |      |      |                |       |                            |                   |      |      |       |                              |        |   |  |                  |                             |      |                            |        |        |                   |      |     |        |   |  |                |      |      |      |      |        |                   |      |      |      |      |      |      |                |                  |      |      |      |      |      |      |                |                |      |       |                  |     |      |      |      |      |      |      |       |                  |                             |      |      |                |      |     |      |      |      |      |      |      |                |      |                  |                             |      |      |      |                |      |      |      |                  |                             |      |      |     |      |      |                  |                             |     |      |      |      |      |      |      |      |      |      |      |      |      |      |      |     |      |      |     |      |     |
| Program-<br>mable<br>pulse<br>generator<br>(PPG)   | PO15 to        | 49 to 42,  | N5, M6, L5,   | 49 to 42,             | 49 to 42,                          | Output           | Pulse output pins.  |                            |                               |       |      |      |      |                  |   |  |      |       |     |     |     |        |                            |        |     |      |       |                               |        |   |  |       |      |      |                |       |                            |                   |      |      |       |                              |        |   |  |                  |                             |      |                            |        |        |                   |      |     |        |   |  |                |      |      |      |      |        |                   |      |      |      |      |      |      |                |                  |      |      |      |      |      |      |                |                |      |       |                  |     |      |      |      |      |      |      |       |                  |                             |      |      |                |      |     |      |      |      |      |      |      |                |      |                  |                             |      |      |      |                |      |      |      |                  |                             |      |      |     |      |      |                  |                             |     |      |      |      |      |      |      |      |      |      |      |      |      |      |      |     |      |      |     |      |     |
|  | PO0            | 58 to 51   | M5, N4, L4,<br>M4, L3, M8,<br>N7, K8, K7,<br>K6, N6, M7,<br>L6                          | 58 to 51              | 58 to 51                           |                  |   | 8-bit timer<br>(TMR)       | TMO0                          | 105,  | C12, | 105, | 105, | Output           | Waveform output<br>pins with output<br>compare function.            | TMO1   | 106  | C13   | 106 | 106 |     | TMCI0  | 83,                        | J10,   | 83, | 83,  | Input | External event input<br>pins. |        | TMCI1   | 104  | D10   | 104  | 104  |                | TMRI0 | 82,                        | K13,              | 82,  | 82,  | Input | Counter reset input<br>pins. |        | TMRI1   | 81   | J12              | 81                          | 81   | Watchdog<br>timer<br>(WDT) | WDTOVF | 39     | M3                | 39   | 39  | Output | Counter overflow<br>signal output pin in<br>watchdog timer<br>mode. | Serial<br>commu-<br>nication<br>interface<br>(SCI)/<br>smart card<br>interface<br>(SCI_0<br>with IrDA<br>function) | TxD4           | 54,  | K6,  | 54,  | 54,  | Output | Data output pins. | TxD3 | 33,  | L2,  | 33,  | 33,  | TxD2 | 133,           | A6,              | 133, | 133, | TxD1 | 141, | B3,  | 141, | 141,           | TxD0/<br>IrTxD | 142  | C4    | 142              | 142 |      | RxD4 | 55,  | K7,  | 55,  | 55,  | Input | Data input pins. |                             | RxD3 | 59,  | L7,            | 59,  | 59, |      | RxD2 | 134, | B5,  | 134, | 134, |                | RxD1 | 139,             | C5,                         | 139, | 139, |      | RxD0/<br>IrRxD | 140  | A4   | 140  | 140              |                             | SCK4 | 138, | B4, | 138, | 138, | Input/<br>output | Clock input/output<br>pins. |     | SCK3 | 61,  | N8,  | 61,  | 61,  |      | SCK2 | 135, | C6,  | 135, | 135, |      | SCK1 | 137, | A5, | 137, | 137, |     | SCK0 | 138 |
| 8-bit timer<br>(TMR)   | TMO0           | 105,   | C12,  | 105,                  | 105,                               | Output           | Waveform output<br>pins with output<br>compare function.            |                            |                               |       |      |      |      |                  |   |  |      |       |     |     |     |        |                            |        |     |      |       |                               |        |   |  |       |      |      |                |       |                            |                   |      |      |       |                              |        |   |  |                  |                             |      |                            |        |        |                   |      |     |        |   |  |                |      |      |      |      |        |                   |      |      |      |      |      |      |                |                  |      |      |      |      |      |      |                |                |      |       |                  |     |      |      |      |      |      |      |       |                  |                             |      |      |                |      |     |      |      |      |      |      |      |                |      |                  |                             |      |      |      |                |      |      |      |                  |                             |      |      |     |      |      |                  |                             |     |      |      |      |      |      |      |      |      |      |      |      |      |      |      |     |      |      |     |      |     |
|  | TMO1           | 106  | C13   | 106                   | 106                                |                  |   |                            |                               | TMCI0 | 83,  | J10, | 83,  | 83,              | Input   | External event input<br>pins.  |      | TMCI1 | 104 | D10 | 104 | 104    |                            | TMRI0  | 82, | K13, | 82,   | 82,                           | Input  | Counter reset input<br>pins.  |  | TMRI1 | 81   | J12  | 81             | 81    | Watchdog<br>timer<br>(WDT) | WDTOVF            | 39   | M3   | 39    | 39                           | Output | Counter overflow<br>signal output pin in<br>watchdog timer<br>mode. | Serial<br>commu-<br>nication<br>interface<br>(SCI)/<br>smart card<br>interface<br>(SCI_0<br>with IrDA<br>function) | TxD4             | 54,                         | K6,  | 54,                        | 54,    | Output | Data output pins. | TxD3 | 33, | L2,    | 33,   |  | 33,            | TxD2 | 133, | A6,  | 133, |        |                   | 133, | TxD1 | 141, | B3,  | 141, | 141, | TxD0/<br>IrTxD | 142              | C4   | 142  | 142  |      | RxD4 | 55,  | K7,            | 55,            | 55,  | Input | Data input pins. |     | RxD3 | 59,  | L7,  | 59,  | 59,  |      |       |                  | RxD2                        | 134, | B5,  | 134,           | 134, |     | RxD1 | 139, | C5,  | 139, | 139, |      | RxD0/<br>IrRxD | 140  | A4               | 140                         | 140  |      | SCK4 | 138,           | B4,  | 138, | 138, | Input/<br>output | Clock input/output<br>pins. |      | SCK3 | 61, | N8,  | 61,  |                  |                             | 61, |      | SCK2 | 135, | C6,  | 135, | 135, |      | SCK1 | 137, | A5,  | 137, | 137, |      | SCK0 | 138 | B4   | 138  | 138 |      |     |
|  |                | TMCI0  | 83,   | J10,                  | 83,                                | 83,              | Input   |                            | External event input<br>pins. |       |      |      |      |                  |   |  |      |       |     |     |     |        |                            |        |     |      |       |                               |        |   |  |       |      |      |                |       |                            |                   |      |      |       |                              |        |   |  |                  |                             |      |                            |        |        |                   |      |     |        |   |  |                |      |      |      |      |        |                   |      |      |      |      |      |      |                |                  |      |      |      |      |      |      |                |                |      |       |                  |     |      |      |      |      |      |      |       |                  |                             |      |      |                |      |     |      |      |      |      |      |      |                |      |                  |                             |      |      |      |                |      |      |      |                  |                             |      |      |     |      |      |                  |                             |     |      |      |      |      |      |      |      |      |      |      |      |      |      |      |     |      |      |     |      |     |
|  |                | TMCI1  | 104   | D10                   | 104                                | 104              |   |                            |                               | TMRI0 | 82,  | K13, | 82,  | 82,              | Input   | Counter reset input<br>pins.   |      | TMRI1 | 81  | J12 | 81  | 81     | Watchdog<br>timer<br>(WDT) | WDTOVF | 39  | M3   | 39    | 39                            | Output | Counter overflow<br>signal output pin in<br>watchdog timer<br>mode. | Serial<br>commu-<br>nication<br>interface<br>(SCI)/<br>smart card<br>interface<br>(SCI_0<br>with IrDA<br>function) | TxD4  | 54,  | K6,  | 54,            | 54,   | Output                     | Data output pins. | TxD3 | 33,  | L2,   | 33,                          | 33,    | TxD2  |  | 133,             | A6,                         | 133, | 133,                       | TxD1   |        |                   | 141, | B3, | 141,   | 141,  |  | TxD0/<br>IrTxD | 142  | C4   | 142  | 142  |        |                   |      | RxD4 | 55,  | K7,  | 55,  | 55,  | Input          | Data input pins. |      | RxD3 | 59,  | L7,  | 59,  | 59,  |                | RxD2           | 134, |       |                  | B5, | 134, | 134, |      | RxD1 | 139, | C5,  |       |                  | 139,                        | 139, |      | RxD0/<br>IrRxD | 140  | A4  | 140  | 140  |      | SCK4 | 138, | B4,  | 138,           | 138, | Input/<br>output | Clock input/output<br>pins. |      | SCK3 | 61,  | N8,            | 61,  | 61,  |      |                  |                             | SCK2 | 135, | C6, | 135, | 135, |                  |                             |     | SCK1 | 137, | A5,  | 137, | 137, |      | SCK0 | 138  | B4   | 138  | 138  |      |      |      |     |      |      |     |      |     |
|  | TMRI0          | 82,  | K13,  | 82,                   | 82,                                | Input            | Counter reset input<br>pins.  |                            |                               |       |      |      |      |                  |   |  |      |       |     |     |     |        |                            |        |     |      |       |                               |        |   |  |       |      |      |                |       |                            |                   |      |      |       |                              |        |   |  |                  |                             |      |                            |        |        |                   |      |     |        |   |  |                |      |      |      |      |        |                   |      |      |      |      |      |      |                |                  |      |      |      |      |      |      |                |                |      |       |                  |     |      |      |      |      |      |      |       |                  |                             |      |      |                |      |     |      |      |      |      |      |      |                |      |                  |                             |      |      |      |                |      |      |      |                  |                             |      |      |     |      |      |                  |                             |     |      |      |      |      |      |      |      |      |      |      |      |      |      |      |     |      |      |     |      |     |
|  | TMRI1          | 81   | J12   | 81                    | 81                                 |                  |   | Watchdog<br>timer<br>(WDT) | WDTOVF                        | 39    | M3   | 39   | 39   | Output           | Counter overflow<br>signal output pin in<br>watchdog timer<br>mode. | Serial<br>commu-<br>nication<br>interface<br>(SCI)/<br>smart card<br>interface<br>(SCI_0<br>with IrDA<br>function) | TxD4 | 54,   | K6, | 54, | 54, | Output | Data output pins.          | TxD3   | 33, | L2,  | 33,   | 33,                           | TxD2   | 133,  |  | A6,   | 133, | 133, | TxD1           | 141,  |                            |                   | B3,  | 141, | 141,  | TxD0/<br>IrTxD               | 142    | C4  |  | 142              | 142                         |      | RxD4                       | 55,    |        |                   | K7,  | 55, | 55,    | Input   | Data input pins.   |                | RxD3 | 59,  | L7,  | 59,  | 59,    |                   | RxD2 | 134, | B5,  | 134, | 134, |      |                |                  | RxD1 | 139, | C5,  | 139, | 139, |      | RxD0/<br>IrRxD | 140            | A4   |       |                  | 140 | 140  |      | SCK4 | 138, | B4,  | 138, | 138,  | Input/<br>output | Clock input/output<br>pins. |      | SCK3 | 61,            | N8,  | 61, | 61,  |      | SCK2 | 135, | C6,  | 135, | 135,           |      |                  |                             | SCK1 | 137, | A5,  | 137,           | 137, |      | SCK0 |                  |                             | 138  | B4   | 138 | 138  |      |                  |                             |     |      |      |      |      |      |      |      |      |      |      |      |      |      |      |     |      |      |     |      |     |
| Watchdog<br>timer<br>(WDT)   | WDTOVF         | 39   | M3  | 39                    | 39                                 | Output           | Counter overflow<br>signal output pin in<br>watchdog timer<br>mode. |                            |                               |       |      |      |      |                  |   |  |      |       |     |     |     |        |                            |        |     |      |       |                               |        |   |  |       |      |      |                |       |                            |                   |      |      |       |                              |        |   |  |                  |                             |      |                            |        |        |                   |      |     |        |   |  |                |      |      |      |      |        |                   |      |      |      |      |      |      |                |                  |      |      |      |      |      |      |                |                |      |       |                  |     |      |      |      |      |      |      |       |                  |                             |      |      |                |      |     |      |      |      |      |      |      |                |      |                  |                             |      |      |      |                |      |      |      |                  |                             |      |      |     |      |      |                  |                             |     |      |      |      |      |      |      |      |      |      |      |      |      |      |      |     |      |      |     |      |     |
| Serial<br>commu-<br>nication<br>interface<br>(SCI)/<br>smart card<br>interface<br>(SCI_0<br>with IrDA<br>function) | TxD4           | 54,  | K6,   | 54,                   | 54,                                | Output           | Data output pins.   |                            |                               |       |      |      |      |                  |   |  |      |       |     |     |     |        |                            |        |     |      |       |                               |        |   |  |       |      |      |                |       |                            |                   |      |      |       |                              |        |   |  |                  |                             |      |                            |        |        |                   |      |     |        |   |  |                |      |      |      |      |        |                   |      |      |      |      |      |      |                |                  |      |      |      |      |      |      |                |                |      |       |                  |     |      |      |      |      |      |      |       |                  |                             |      |      |                |      |     |      |      |      |      |      |      |                |      |                  |                             |      |      |      |                |      |      |      |                  |                             |      |      |     |      |      |                  |                             |     |      |      |      |      |      |      |      |      |      |      |      |      |      |      |     |      |      |     |      |     |
|  | TxD3           | 33,  | L2,   | 33,                   | 33,                                |                  |   |                            |                               |       |      |      |      |                  |   |  |      |       |     |     |     |        |                            |        |     |      |       |                               |        |   |  |       |      |      |                |       |                            |                   |      |      |       |                              |        |   |  |                  |                             |      |                            |        |        |                   |      |     |        |   |  |                |      |      |      |      |        |                   |      |      |      |      |      |      |                |                  |      |      |      |      |      |      |                |                |      |       |                  |     |      |      |      |      |      |      |       |                  |                             |      |      |                |      |     |      |      |      |      |      |      |                |      |                  |                             |      |      |      |                |      |      |      |                  |                             |      |      |     |      |      |                  |                             |     |      |      |      |      |      |      |      |      |      |      |      |      |      |      |     |      |      |     |      |     |
|  | TxD2           | 133,   | A6,   | 133,                  | 133,                               |                  |   |                            |                               |       |      |      |      |                  |   |  |      |       |     |     |     |        |                            |        |     |      |       |                               |        |   |  |       |      |      |                |       |                            |                   |      |      |       |                              |        |   |  |                  |                             |      |                            |        |        |                   |      |     |        |   |  |                |      |      |      |      |        |                   |      |      |      |      |      |      |                |                  |      |      |      |      |      |      |                |                |      |       |                  |     |      |      |      |      |      |      |       |                  |                             |      |      |                |      |     |      |      |      |      |      |      |                |      |                  |                             |      |      |      |                |      |      |      |                  |                             |      |      |     |      |      |                  |                             |     |      |      |      |      |      |      |      |      |      |      |      |      |      |      |     |      |      |     |      |     |
|  | TxD1           | 141,   | B3,   | 141,                  | 141,                               |                  |   |                            |                               |       |      |      |      |                  |   |  |      |       |     |     |     |        |                            |        |     |      |       |                               |        |   |  |       |      |      |                |       |                            |                   |      |      |       |                              |        |   |  |                  |                             |      |                            |        |        |                   |      |     |        |   |  |                |      |      |      |      |        |                   |      |      |      |      |      |      |                |                  |      |      |      |      |      |      |                |                |      |       |                  |     |      |      |      |      |      |      |       |                  |                             |      |      |                |      |     |      |      |      |      |      |      |                |      |                  |                             |      |      |      |                |      |      |      |                  |                             |      |      |     |      |      |                  |                             |     |      |      |      |      |      |      |      |      |      |      |      |      |      |      |     |      |      |     |      |     |
|  | TxD0/<br>IrTxD | 142  | C4  | 142                   | 142                                |                  |   |                            | RxD4                          | 55,   | K7,  | 55,  | 55,  | Input            | Data input pins.  |  | RxD3 | 59,   | L7, | 59, | 59, |        | RxD2                       | 134,   | B5, | 134, | 134,  |                               | RxD1   | 139,  | C5,  | 139,  | 139, |      | RxD0/<br>IrRxD | 140   | A4                         | 140               | 140  |      | SCK4  | 138,                         | B4,    | 138,  | 138,   | Input/<br>output | Clock input/output<br>pins. |      | SCK3                       | 61,    | N8,    | 61,               | 61,  |     | SCK2   | 135,  | C6,  | 135,           | 135, |      | SCK1 | 137, | A5,    | 137,              | 137, |      | SCK0 | 138  | B4   | 138  | 138            |                  |      |      |      |      |      |      |                |                |      |       |                  |     |      |      |      |      |      |      |       |                  |                             |      |      |                |      |     |      |      |      |      |      |      |                |      |                  |                             |      |      |      |                |      |      |      |                  |                             |      |      |     |      |      |                  |                             |     |      |      |      |      |      |      |      |      |      |      |      |      |      |      |     |      |      |     |      |     |
|  | RxD4           | 55,  | K7,   | 55,                   | 55,                                | Input            | Data input pins.  |                            |                               |       |      |      |      |                  |   |  |      |       |     |     |     |        |                            |        |     |      |       |                               |        |   |  |       |      |      |                |       |                            |                   |      |      |       |                              |        |   |  |                  |                             |      |                            |        |        |                   |      |     |        |   |  |                |      |      |      |      |        |                   |      |      |      |      |      |      |                |                  |      |      |      |      |      |      |                |                |      |       |                  |     |      |      |      |      |      |      |       |                  |                             |      |      |                |      |     |      |      |      |      |      |      |                |      |                  |                             |      |      |      |                |      |      |      |                  |                             |      |      |     |      |      |                  |                             |     |      |      |      |      |      |      |      |      |      |      |      |      |      |      |     |      |      |     |      |     |
|  | RxD3           | 59,  | L7,   | 59,                   | 59,                                |                  |   |                            |                               |       |      |      |      |                  |   |  |      |       |     |     |     |        |                            |        |     |      |       |                               |        |   |  |       |      |      |                |       |                            |                   |      |      |       |                              |        |   |  |                  |                             |      |                            |        |        |                   |      |     |        |   |  |                |      |      |      |      |        |                   |      |      |      |      |      |      |                |                  |      |      |      |      |      |      |                |                |      |       |                  |     |      |      |      |      |      |      |       |                  |                             |      |      |                |      |     |      |      |      |      |      |      |                |      |                  |                             |      |      |      |                |      |      |      |                  |                             |      |      |     |      |      |                  |                             |     |      |      |      |      |      |      |      |      |      |      |      |      |      |      |     |      |      |     |      |     |
|  | RxD2           | 134,   | B5,   | 134,                  | 134,                               |                  |   |                            |                               |       |      |      |      |                  |   |  |      |       |     |     |     |        |                            |        |     |      |       |                               |        |   |  |       |      |      |                |       |                            |                   |      |      |       |                              |        |   |  |                  |                             |      |                            |        |        |                   |      |     |        |   |  |                |      |      |      |      |        |                   |      |      |      |      |      |      |                |                  |      |      |      |      |      |      |                |                |      |       |                  |     |      |      |      |      |      |      |       |                  |                             |      |      |                |      |     |      |      |      |      |      |      |                |      |                  |                             |      |      |      |                |      |      |      |                  |                             |      |      |     |      |      |                  |                             |     |      |      |      |      |      |      |      |      |      |      |      |      |      |      |     |      |      |     |      |     |
|  | RxD1           | 139,   | C5,   | 139,                  | 139,                               |                  |   |                            |                               |       |      |      |      |                  |   |  |      |       |     |     |     |        |                            |        |     |      |       |                               |        |   |  |       |      |      |                |       |                            |                   |      |      |       |                              |        |   |  |                  |                             |      |                            |        |        |                   |      |     |        |   |  |                |      |      |      |      |        |                   |      |      |      |      |      |      |                |                  |      |      |      |      |      |      |                |                |      |       |                  |     |      |      |      |      |      |      |       |                  |                             |      |      |                |      |     |      |      |      |      |      |      |                |      |                  |                             |      |      |      |                |      |      |      |                  |                             |      |      |     |      |      |                  |                             |     |      |      |      |      |      |      |      |      |      |      |      |      |      |      |     |      |      |     |      |     |
|  | RxD0/<br>IrRxD | 140  | A4  | 140                   | 140                                |                  |   |                            | SCK4                          | 138,  | B4,  | 138, | 138, | Input/<br>output | Clock input/output<br>pins.   |  | SCK3 | 61,   | N8, | 61, | 61, |        | SCK2                       | 135,   | C6, | 135, | 135,  |                               | SCK1   | 137,  | A5,  | 137,  | 137, |      | SCK0           | 138   | B4                         | 138               | 138  |      |       |                              |        |   |  |                  |                             |      |                            |        |        |                   |      |     |        |   |  |                |      |      |      |      |        |                   |      |      |      |      |      |      |                |                  |      |      |      |      |      |      |                |                |      |       |                  |     |      |      |      |      |      |      |       |                  |                             |      |      |                |      |     |      |      |      |      |      |      |                |      |                  |                             |      |      |      |                |      |      |      |                  |                             |      |      |     |      |      |                  |                             |     |      |      |      |      |      |      |      |      |      |      |      |      |      |      |     |      |      |     |      |     |
|  | SCK4           | 138,   | B4,   | 138,                  | 138,                               | Input/<br>output | Clock input/output<br>pins.   |                            |                               |       |      |      |      |                  |   |  |      |       |     |     |     |        |                            |        |     |      |       |                               |        |   |  |       |      |      |                |       |                            |                   |      |      |       |                              |        |   |  |                  |                             |      |                            |        |        |                   |      |     |        |   |  |                |      |      |      |      |        |                   |      |      |      |      |      |      |                |                  |      |      |      |      |      |      |                |                |      |       |                  |     |      |      |      |      |      |      |       |                  |                             |      |      |                |      |     |      |      |      |      |      |      |                |      |                  |                             |      |      |      |                |      |      |      |                  |                             |      |      |     |      |      |                  |                             |     |      |      |      |      |      |      |      |      |      |      |      |      |      |      |     |      |      |     |      |     |
|  | SCK3           | 61,  | N8,   | 61,                   | 61,                                |                  |   |                            |                               |       |      |      |      |                  |   |  |      |       |     |     |     |        |                            |        |     |      |       |                               |        |   |  |       |      |      |                |       |                            |                   |      |      |       |                              |        |   |  |                  |                             |      |                            |        |        |                   |      |     |        |   |  |                |      |      |      |      |        |                   |      |      |      |      |      |      |                |                  |      |      |      |      |      |      |                |                |      |       |                  |     |      |      |      |      |      |      |       |                  |                             |      |      |                |      |     |      |      |      |      |      |      |                |      |                  |                             |      |      |      |                |      |      |      |                  |                             |      |      |     |      |      |                  |                             |     |      |      |      |      |      |      |      |      |      |      |      |      |      |      |     |      |      |     |      |     |
|  | SCK2           | 135,   | C6,   | 135,                  | 135,                               |                  |   |                            |                               |       |      |      |      |                  |   |  |      |       |     |     |     |        |                            |        |     |      |       |                               |        |   |  |       |      |      |                |       |                            |                   |      |      |       |                              |        |   |  |                  |                             |      |                            |        |        |                   |      |     |        |   |  |                |      |      |      |      |        |                   |      |      |      |      |      |      |                |                  |      |      |      |      |      |      |                |                |      |       |                  |     |      |      |      |      |      |      |       |                  |                             |      |      |                |      |     |      |      |      |      |      |      |                |      |                  |                             |      |      |      |                |      |      |      |                  |                             |      |      |     |      |      |                  |                             |     |      |      |      |      |      |      |      |      |      |      |      |      |      |      |     |      |      |     |      |     |
|  | SCK1           | 137,   | A5,   | 137,                  | 137,                               |                  |   |                            |                               |       |      |      |      |                  |   |  |      |       |     |     |     |        |                            |        |     |      |       |                               |        |   |  |       |      |      |                |       |                            |                   |      |      |       |                              |        |   |  |                  |                             |      |                            |        |        |                   |      |     |        |   |  |                |      |      |      |      |        |                   |      |      |      |      |      |      |                |                  |      |      |      |      |      |      |                |                |      |       |                  |     |      |      |      |      |      |      |       |                  |                             |      |      |                |      |     |      |      |      |      |      |      |                |      |                  |                             |      |      |      |                |      |      |      |                  |                             |      |      |     |      |      |                  |                             |     |      |      |      |      |      |      |      |      |      |      |      |      |      |      |     |      |      |     |      |     |
|  | SCK0           | 138  | B4  | 138                   | 138                                |                  |   |                            |                               |       |      |      |      |                  |   |  |      |       |     |     |     |        |                            |        |     |      |       |                               |        |   |  |       |      |      |                |       |                            |                   |      |      |       |                              |        |   |  |                  |                             |      |                            |        |        |                   |      |     |        |   |  |                |      |      |      |      |        |                   |      |      |      |      |      |      |                |                  |      |      |      |      |      |      |                |                |      |       |                  |     |      |      |      |      |      |      |       |                  |                             |      |      |                |      |     |      |      |      |      |      |      |                |      |                  |                             |      |      |      |                |      |      |      |                  |                             |      |      |     |      |      |                  |                             |     |      |      |      |      |      |      |      |      |      |      |      |      |      |      |     |      |      |     |      |     |

|   |                | Pin No.       |  |            |            |                  |   |
|---|----------------|---------------|--|------------|------------|------------------|---|
| Type  | Symbol         | H8S/2378      | H8S/2378   |            |            |                  |   |
|   |                | 0.18μm        | 0.18μm   |            |            |                  |   |
|   |                | F-ZTAT Group, | F-ZTAT Group,  |            |            |                  |   |
|   |                | H8S/2378R     | H8S/2378R  |            |            |                  |   |
|   |                | 0.18μm        | 0.18μm   |            |            |                  |   |
|   |                | F-ZTAT Group  | F-ZTAT Group   | H8S/2377   | H8S/2375R  |                  |   |
|   |                | (LQFP-144)    | (LGA-145)  | H8S/2377R  | H8S/2373R  | I/O              | Function  |
| I <sup>2</sup> C bus<br>interface 2<br>(IIC2) | SCL1           | 139,          | C5,  | 139,       | 139,       | Input/<br>output | I <sup>2</sup> C clock input/<br>output pins.   |
|   | SCL0           | 137           | A5   | 137        | 137        |                  |   |
|   | SDA1           | 140,          | A4,  | 140,       | 140,       | Input/<br>output | I <sup>2</sup> C data input/<br>output pins.    |
|   | SDA0           | 138           | B4   | 138        | 138        |                  |   |
| A/D<br>converter                              | AN15 to<br>AN0 | 128 to 113    | D6, D7,<br>D8, A8,<br>B7, C8,<br>D9, A9,<br>B8, C9, B9,<br>A10, C10,<br>B10, C11,<br>A11 | 128 to 113 | 128 to 113 | Input            | Analog input pins<br>for the A/D<br>converter.  |
|   | ADTRG          | 136           | D4   | 136        | 136        |                  |   |
| D/A<br>converter                              | DA5            | 128           | D6   | —          | —          | Output           | Analog output pins<br>for the D/A<br>converter. |
|   | DA4            | 127           | D7   | —          | —          |                  |   |
|   | DA3            | 126           | D8   | 126        | 126        |                  |   |
|   | DA2            | 125           | A8   | 125        | 125        |                  |   |
|   | DA1            | 120           | B8   | —          | —          |                  |   |
|   | DA0            | 119           | C9   | —          | —          |                  |   |

|                                 |           | Pin No.  |   |                       |  |       |  |
|---------------------------------|-----------|--|---|-----------------------|--|-------|--|
| Type                            | Symbol    | H8S/2378   | H8S/2378  |                       |  | I/O   | Function   |
|                                 |           | 0.18 $\mu$ m<br>F-ZTAT Group,<br>H8S/2378R<br>0.18 $\mu$ m<br>F-ZTAT Group<br>(LQFP-144) | 0.18 $\mu$ m<br>F-ZTAT Group,<br>H8S/2378R<br>0.18 $\mu$ m<br>F-ZTAT Group<br>(LGA-145) | H8S/2377<br>H8S/2377R | H8S/2375<br>H8S/2373<br>H8S/2375R<br>H8S/2373R |       |  |
| A/D converter,<br>D/A converter | $AV_{CC}$ | 111  | B11   | 111                   | 111  | Input | The analog power-supply pin for the A/D converter and D/A converter.<br><br>When the A/D converter and D/A converter are not used, this pin should be connected to the system power supply (+3 V).     |
|                                 | $AV_{SS}$ | 129  | A7  | 129                   | 129  | Input | The ground pin for the A/D converter and D/A converter.<br><br>This pin should be connected to the system power supply (0 V).  |
|                                 | Vref      | 112  | B12   | 112                   | 112  | Input | The reference voltage input pin for the A/D converter and D/A converter.<br><br>When the A/D converter and D/A converter are not used, this pin should be connected to the system power supply (+3 V). |

| Type      | Symbol        | Pin No.  |   |                            |  | I/O              | Function                         |
|-----------|---------------|--|---|----------------------------|--|------------------|----------------------------------|
|           |               | H8S/2378<br>0.18μm<br>F-ZTAT Group,<br>H8S/2378R<br>0.18μm<br>F-ZTAT Group<br>(LQFP-144) | H8S/2378<br>0.18μm<br>F-ZTAT Group,<br>H8S/2378R<br>0.18μm<br>F-ZTAT Group<br>(LGA-145) | H8S/2377<br>H8S/2377R      | H8S/2375<br>H8S/2373<br>H8S/2375R<br>H8S/2373R |                  |                                  |
| I/O ports | P17 to<br>P10 | 49 to 42   | N5, M6, L5,<br>M5, N4, L4,<br>M4, L3  | 49 to 42                   | 49 to 42                                       | Input/<br>output | Eight-bit input/<br>output pins. |
|           | P27 to<br>P20 | 58 to 51   | M8, N7, K8,<br>K7, K6, N6,<br>M7, L6  | 58 to 51                   | 58 to 51                                       | Input/<br>output | Eight-bit input/<br>output pins. |
|           | P35 to<br>P30 | 137 to 142   | A5, B4, C5,<br>A4, B3, C4   | 137 to<br>142              | 137 to 142                                     | Input/<br>output | Six-bit input/output<br>pins.    |
|           | P47 to<br>P40 | 120 to 113   | B8, C9, B9,<br>A10, C10,<br>B10, C11,<br>A11  | 120 to<br>113              | 120 to 113                                     | Input            | Eight-bit input pins.            |
|           | P53 to<br>P50 | 136 to 133   | D4, C6, B5,<br>A6   | 136 to<br>133              | 136 to 133                                     | Input/<br>output | Four-bit input/output<br>pins.   |
|           | P65 to<br>P60 | 106 to 104,<br>83 to 81  | C13, C12,<br>D10, J10,<br>K13, J12  | 106 to<br>104,<br>83 to 81 | 106 to 104,<br>83 to 81                        | Input/<br>output | Six-bit input/output<br>pins.    |
|           | P85 to<br>P80 | 61 to 59,<br>34, 33, 3   | N8, K9, L7,<br>K3, L2, C2   | 61 to 59,<br>34, 33, 3     | 61 to 59,<br>34, 33, 3                         | Input/<br>output | Six-bit input/output<br>pins.    |
|           | P97 to<br>P90 | 128 to 121   | D6, D7, D8,<br>A8, B7, C8,<br>D9, A9  | 128 to 121                 | 128 to 121                                     | Input            | Eight-bit input pins.            |
|           | PA7 to<br>PA0 | 31 to 26,<br>24, 23  | J3, K2, J1,<br>K4, H3, J2,<br>J4, G3  | 31 to 26,<br>24, 23        | 31 to 26,<br>24, 23                            | Input/<br>output | Eight-bit input/<br>output pins. |
|           | PB7 to<br>PB0 | 22 to 19,<br>17 to 14  | H2, G1, H4,<br>G4, F1, G2,<br>F3, E4  | 22 to 19,<br>17 to 14      | 22 to 19,<br>17 to 14                          | Input/<br>output | Eight-bit input/<br>output pins. |
|           | PC7 to<br>PC0 | 13 to 11,<br>9 to 5  | E1, F2, E3,<br>D1, D3, D2,<br>C3, C1  | 13 to 11,<br>9 to 5        | 13 to 11,<br>9 to 5                            | Input/<br>output | Eight-bit input/<br>output pins. |



|           |            | Pin No.                |  |                        |                        |              |                              |  |
|-----------|------------|------------------------|--|------------------------|------------------------|--------------|------------------------------|--|
| Type      | Symbol     | H8S/2378               | H8S/2378                               |                        |                        |              |                              |  |
|           |            | 0.18 $\mu$ m           | 0.18 $\mu$ m                           |                        |                        | H8S/2375     |                              |  |
|           |            | F-ZTAT Group,          | F-ZTAT Group,                          |                        |                        | H8S/2373     |                              |  |
|           |            | H8S/2378R              | H8S/2378R                              |                        |                        | H8S/2375R    |                              |  |
|           |            | 0.18 $\mu$ m           | 0.18 $\mu$ m                           | H8S/2377               | H8S/2373R              | I/O          | Function                     |  |
|           |            | F-ZTAT Group           | F-ZTAT Group                           | H8S/2377R              | H8S/2373R              |              |                              |  |
|           |            | (LQFP-144)             | (LGA-145)                              |                        |                        |              |                              |  |
| I/O ports | PD7 to PD0 | 80 to 73               | K11, K12, L13, L11, M12, L12, N13, M13 | 80 to 73               | 80 to 73               | Input/output | Eight-bit input/output pins. |  |
|           | PE7 to PE0 | 71, 69 to 63           | N11, M11, N10, L9, M10, N9, K10, L8    | 71, 69 to 63           | 71, 69 to 63           | Input/output | Eight-bit input/output pins. |  |
|           | PF7 to PF0 | 94, 90 to 84           | F10, G10, G12, H11, J13, H10, H12, J11 | 94, 90 to 84           | 94, 90 to 84           | Input/output | Eight-bit input/output pins. |  |
|           | PG6 to PG0 | 132 to 130, 110 to 107 | D5, C7, B6, A13, A12, B13, D11         | 132 to 130, 110 to 107 | 132 to 130, 110 to 107 | Input/output | Seven-bit input/output pins. |  |
|           | PH3 to PH0 | 38 to 35               | M2, N2, M1, L1                         | 38 to 35               | 38 to 35               | Input/output | Four-bit input/output pins.  |  |

- Notes:
1. Not available for the H8S/2378 Group.
  2. Not available for the H8S/2375, H8S/2375R, H8S/2373, and H8S/2373R.
  3. Available only for the H8S/2378 0.18 $\mu$ m F-ZTAT Group and H8S/2378R 0.18 $\mu$ m F-ZTAT Group.



## Section 2 CPU

The H8S/2000 CPU is a high-speed central processing unit with an internal 32-bit architecture that is upward-compatible with the H8/300 and H8/300H CPUs. The H8S/2000 CPU has sixteen 16-bit general registers, can address a 16-Mbyte linear address space, and is ideal for realtime control.

This section describes the H8S/2000 CPU. The usable modes and address spaces differ depending on the product. For details on each product, refer to section 3, MCU Operating Modes.

### 2.1 Features

- Upward-compatibility with H8/300 and H8/300H CPUs
  - Can execute H8/300 and H8/300H CPU object programs
- General-register architecture
  - Sixteen 16-bit general registers also usable as sixteen 8-bit registers or eight 32-bit registers
- Sixty-five basic instructions
  - 8/16/32-bit arithmetic and logic instructions
  - Multiply and divide instructions
  - Powerful bit-manipulation instructions
- Eight addressing modes
  - Register direct [Rn]
  - Register indirect [@ERn]
  - Register indirect with displacement [@(d:16,ERn) or @(d:32,ERn)]
  - Register indirect with post-increment or pre-decrement [@ERn+ or @-ERn]
  - Absolute address [@aa:8, @aa:16, @aa:24, or @aa:32]
  - Immediate [#xx:8, #xx:16, or #xx:32]
  - Program-counter relative [@(d:8,PC) or @(d:16,PC)]
  - Memory indirect [@@aa:8]
- 16-Mbyte address space
  - Program: 16 Mbytes
  - Data: 16 Mbytes
- High-speed operation
  - All frequently-used instructions are executed in one or two states
  - 8/16/32-bit register-register add/subtract: 1 state
  - $8 \times 8$ -bit register-register multiply: 12 states (MULXU.B), 13 states (MULXS.B)
  - $16 \div 8$ -bit register-register divide: 12 states (DIVXU.B)

- $16 \times 16$ -bit register-register multiply: 20 states (MULXU.W), 21 states (MULXS.W)
- $32 \div 16$ -bit register-register divide: 20 states (DIVXU.W)
- Two CPU operating modes
  - Normal mode\*
  - Advanced mode

Note: \* For this LSI, normal mode is not available.

- Power-down state
  - Transition to power-down state by SLEEP instruction
  - Selectable CPU clock speed

### 2.1.1 Differences between H8S/2600 CPU and H8S/2000 CPU

The differences between the H8S/2600 CPU and the H8S/2000 CPU are as shown below.

- Register configuration
  - The MAC register is supported only by the H8S/2600 CPU.
- Basic instructions
  - The four instructions MAC, CLRMAC, LDMAC, and STMAC are supported only by the H8S/2600 CPU.
- The number of execution states of the MULXU and MULXS instructions

| Instruction | Mnemonic        | Execution States |          |
|-------------|-----------------|------------------|----------|
|             |                 | H8S/2600         | H8S/2000 |
| MULXU       | MULXU.B Rs, Rd  | 3                | 12       |
|             | MULXU.W Rs, ERd | 4                | 20       |
| MULXS       | MULXS.B Rs, Rd  | 4                | 13       |
|             | MULXS.W Rs, ERd | 5                | 21       |

In addition, there are differences in address space, CCR and EXR register functions, power-down modes, etc., depending on the model.

### 2.1.2 Differences from H8/300 CPU

In comparison to the H8/300 CPU, the H8S/2000 CPU has the following enhancements.

- More general registers and control registers
  - Eight 16-bit extended registers, and one 8-bit and two 32-bit control registers, have been added.
- Expanded address space
  - Normal mode supports the same 64-kbyte address space as the H8/300 CPU.
  - Advanced mode supports a maximum 16-Mbyte address space.
- Enhanced addressing
  - The addressing modes have been enhanced to make effective use of the 16-Mbyte address space.
- Enhanced instructions
  - Addressing modes of bit-manipulation instructions have been enhanced.
  - Signed multiply and divide instructions have been added.
  - Two-bit shift and two-bit rotate instructions have been added.
  - Instructions for saving and restoring multiple registers have been added.
  - A test and set instruction has been added.
- Higher speed
  - Basic instructions are executed twice as fast.

### 2.1.3 Differences from H8/300H CPU

In comparison to the H8/300H CPU, the H8S/2000 CPU has the following enhancements.

- Additional control register
  - One 8-bit control register has been added.
- Enhanced instructions
  - Addressing modes of bit-manipulation instructions have been enhanced.
  - Two-bit shift and two-bit rotate instructions have been added.
  - Instructions for saving and restoring multiple registers have been added.
  - A test and set instruction has been added.
- Higher speed
  - Basic instructions are executed twice as fast.

## 2.2 CPU Operating Modes

The H8S/2000 CPU has two operating modes: normal and advanced. Normal mode supports a maximum 64-kbyte address space. Advanced mode supports a maximum 16-Mbyte address space. The mode is selected by the LSI's mode pins.

### 2.2.1 Normal Mode

The exception vector table and stack have the same structure as in the H8/300 CPU in normal mode.

- Address space

Linear access to a maximum address space of 64 kbytes is possible.

- Extended registers (En)

The extended registers (E0 to E7) can be used as 16-bit registers, or as the upper 16-bit segments of 32-bit registers.

When extended register En is used as a 16-bit register it can contain any value, even when the corresponding general register (Rn) is used as an address register. (If general register Rn is referenced in the register indirect addressing mode with pre-decrement (@-Rn) or post-increment (@Rn+) and a carry or borrow occurs, the value in the corresponding extended register (En) will be affected.)

- Instruction set

All instructions and addressing modes can be used. Only the lower 16 bits of effective addresses (EA) are valid.

- Exception vector table and memory indirect branch addresses

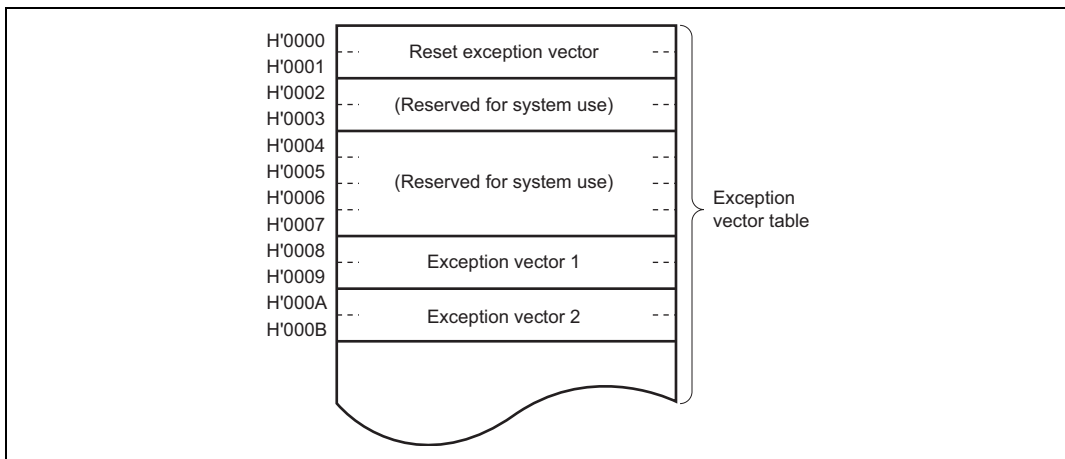
In normal mode, the top area starting at H'0000 is allocated to the exception vector table. One branch address is stored per 16 bits. The exception vector table in normal mode is shown in figure 2.1. For details of the exception vector table, see section 4, Exception Handling.

The memory indirect addressing mode (@@aa:8) employed in the JMP and JSR instructions uses an 8-bit absolute address included in the instruction code to specify a memory operand that contains a branch address. In normal mode, the operand is a 16-bit (word) operand, providing a 16-bit branch address. Branch addresses can be stored in the top area from H'0000 to H'00FF. Note that this area is also used for the exception vector table.

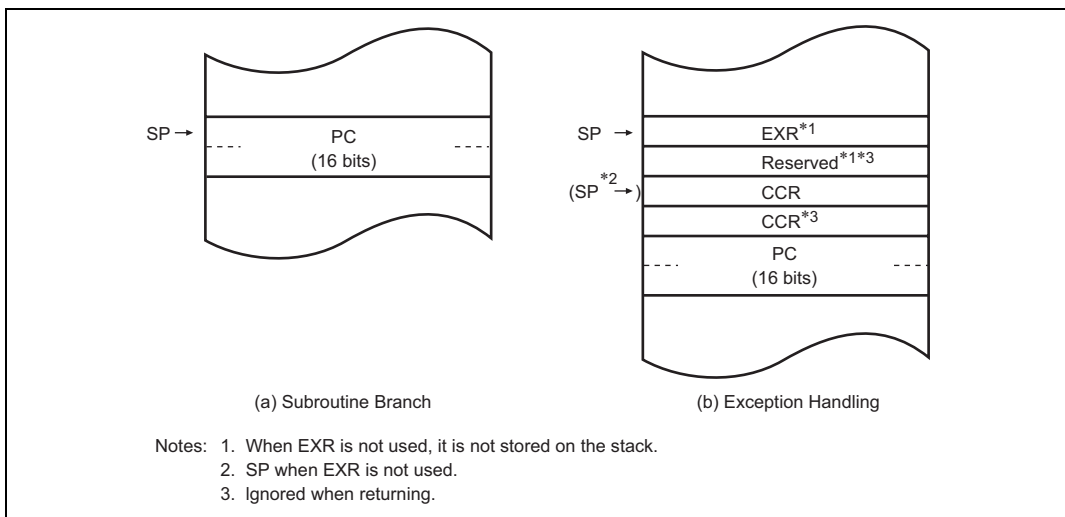
- Stack structure

When the program counter (PC) is pushed onto the stack in a subroutine call, and the PC, condition-code register (CCR), and extended control register (EXR) are pushed onto the stack in exception handling, they are stored as shown in figure 2.2. EXR is not pushed onto the stack in interrupt control mode 0. For details, see section 4, Exception Handling.

Note: For this LSI, normal mode is not available.



**Figure 2.1 Exception Vector Table (Normal Mode)**



**Figure 2.2 Stack Structure in Normal Mode**

### 2.2.2 Advanced Mode

- Address space  
Linear access to a maximum address space of 16 Mbytes is possible.
- Extended registers (En)  
The extended registers (E0 to E7) can be used as 16-bit registers. They can also be used as the upper 16-bit segments of 32-bit registers or address registers.
- Instruction set  
All instructions and addressing modes can be used.
- Exception vector table and memory indirect branch addresses  
In advanced mode, the top area starting at H'00000000 is allocated to the exception vector table in 32-bit units. In each 32 bits, the upper 8 bits are ignored and a branch address is stored in the lower 24 bits (see figure 2.3). For details of the exception vector table, see section 4, Exception Handling.

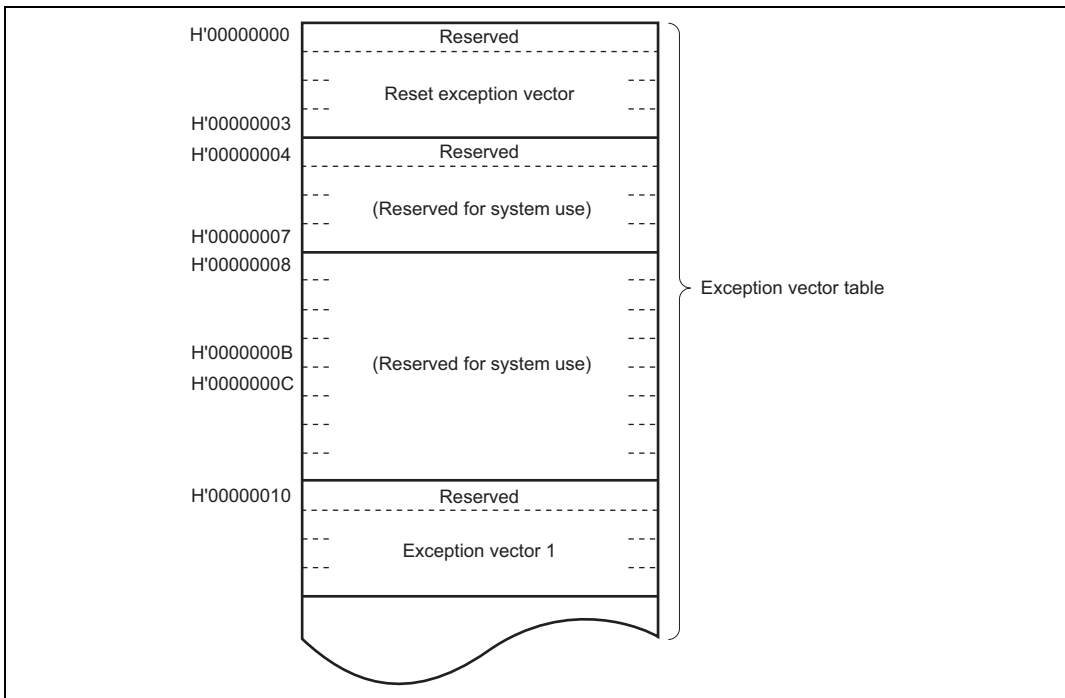


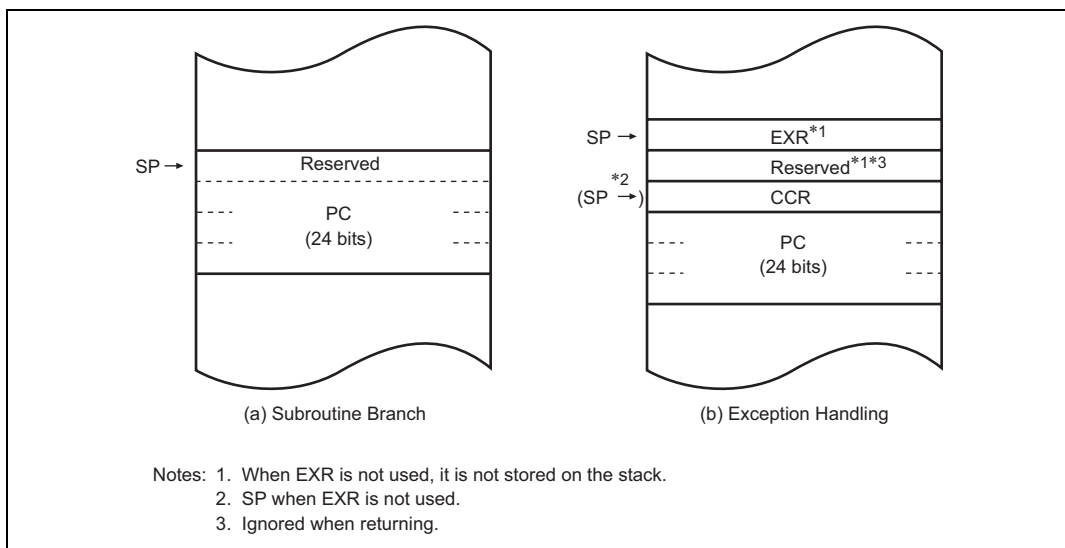
Figure 2.3 Exception Vector Table (Advanced Mode)



The memory indirect addressing mode (@@aa:8) employed in the JMP and JSR instructions uses an 8-bit absolute address included in the instruction code to specify a memory operand that contains a branch address. In advanced mode, the operand is a 32-bit longword operand, providing a 32-bit branch address. The upper 8 bits of these 32 bits are a reserved area that is regarded as H'00. Branch addresses can be stored in the area from H'00000000 to H'000000FF. Note that the top area of this range is also used for the exception vector table.

- Stack structure

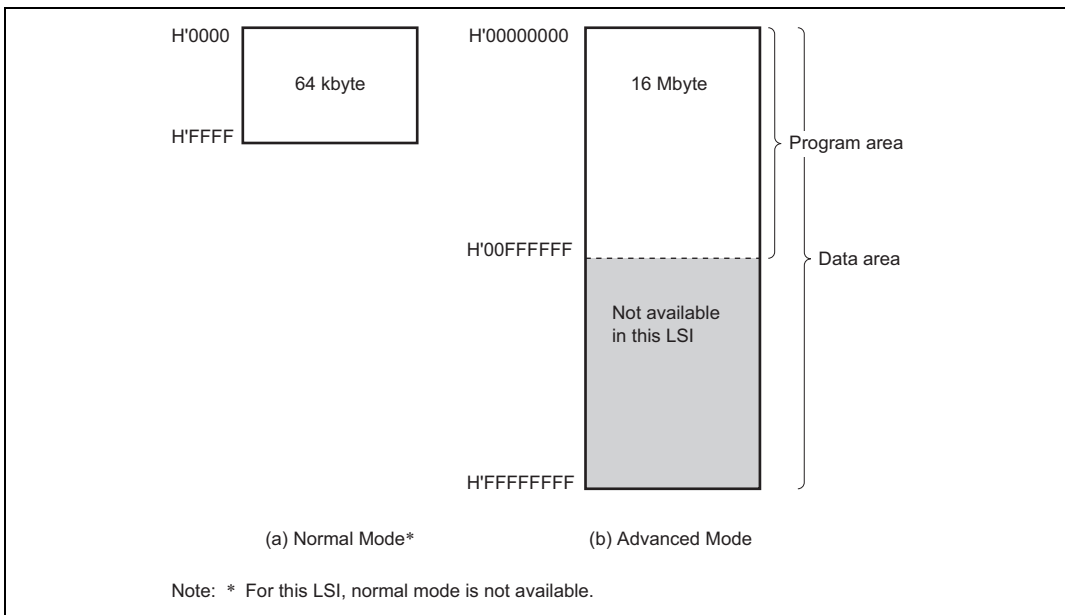
In advanced mode, when the program counter (PC) is pushed onto the stack in a subroutine call, and the PC, condition-code register (CCR), and extended control register (EXR) are pushed onto the stack in exception handling, they are stored as shown in figure 2.4. EXR is not pushed onto the stack in interrupt control mode 0. For details, see section 4, Exception Handling.



**Figure 2.4 Stack Structure in Advanced Mode**

## 2.3 Address Space

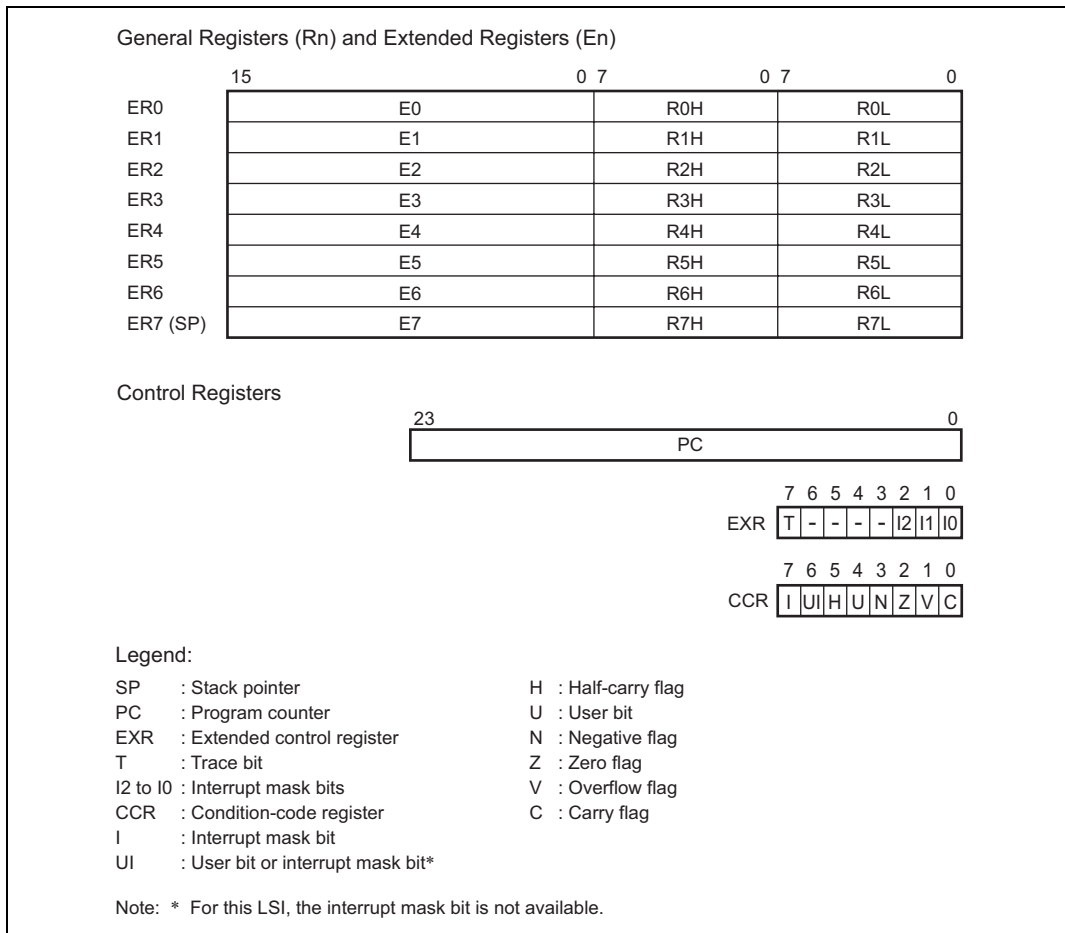
Figure 2.5 shows a memory map of the H8S/2000 CPU. The H8S/2000 CPU provides linear access to a maximum 64-kbyte address space in normal mode, and a maximum 16-Mbyte (architecturally 4-Gbyte) address space in advanced mode. The usable modes and address spaces differ depending on the product. For details on each product, refer to section 3, MCU Operating Modes.



**Figure 2.5 Memory Map**

## 2.4 Register Configuration

The H8S/2000 CPU has the internal registers shown in figure 2.6. There are two types of registers: general registers and control registers. Control registers are a 24-bit program counter (PC), an 8-bit extended control register (EXR), and an 8-bit condition code register (CCR).



**Figure 2.6 CPU Internal Registers**

## 2.4.1 General Registers

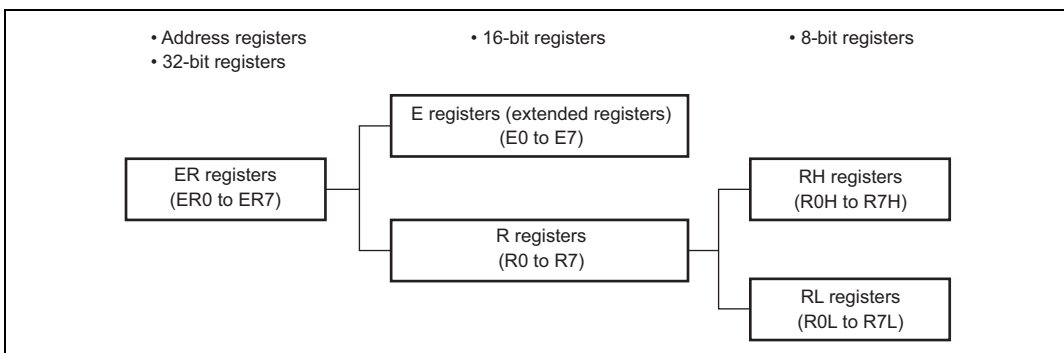
The H8S/2000 CPU has eight 32-bit general registers. These general registers are all functionally alike and can be used as both address registers and data registers. When a general register is used as a data register, it can be accessed as a 32-bit, 16-bit, or 8-bit register. Figure 2.7 illustrates the usage of the general registers. When the general registers are used as 32-bit registers or address registers, they are designated by the letters ER (ER0 to ER7).

When the general registers are used as 16-bit registers, the ER registers are divided into 16-bit general registers designated by the letters E (E0 to E7) and R (R0 to R7). These registers are functionally equivalent, providing a maximum sixteen 16-bit registers. The E registers (E0 to E7) are also referred to as extended registers.

When the general registers are used as 8-bit registers, the R registers are divided into 8-bit general registers designated by the letters RH (R0H to R7H) and RL (R0L to R7L). These registers are functionally equivalent, providing a maximum sixteen 8-bit registers.

The usage of each register can be selected independently.

General register ER7 has the function of the stack pointer (SP) in addition to its general-register function, and is used implicitly in exception handling and subroutine calls. Figure 2.8 shows the stack.



**Figure 2.7 Usage of General Registers**

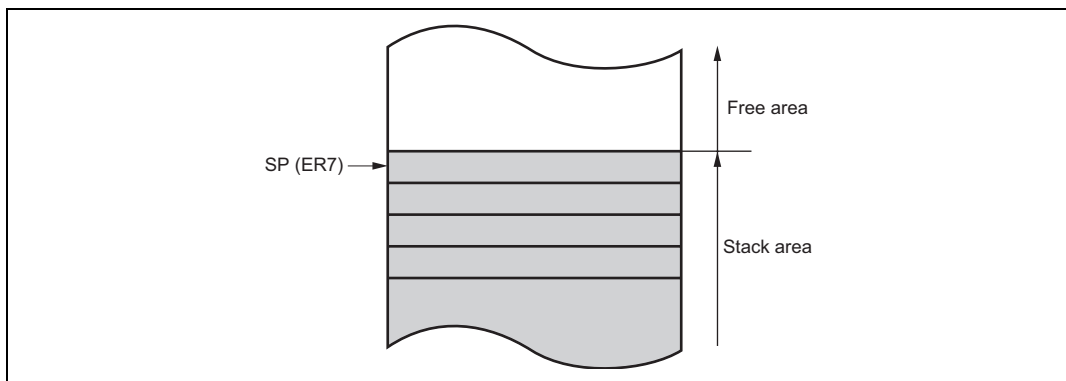


Figure 2.8 Stack

### 2.4.2 Program Counter (PC)

This 24-bit counter indicates the address of the next instruction the CPU will execute. The length of all CPU instructions is 2 bytes (one word), so the least significant PC bit is ignored. (When an instruction is fetched for read, the least significant PC bit is regarded as 0.)

### 2.4.3 Extended Control Register (EXR)

EXR is an 8-bit register that can be operated by the LDC, STC, ANDC, ORC, and XORC instructions. When an instruction other than STC is executed, all interrupts including NMI are masked in three states after the instruction is completed.

| Bit    | Bit Name | Initial Value | R/W | Description  |
|--------|----------|---------------|-----|--|
| 7      | T        | 0             | R/W | Trace Bit<br>When this bit is set to 1, trace exception processing starts every when an instruction is executed. When this bit is cleared to 0, instructions are consecutively executed. |
| 6 to 3 | —        | All 1         | —   | Reserved<br>These bits are always read as 1.   |
| 2 to 0 | I2       | 1             | R/W | Interrupt Mask Bits 2 to 0   |
|        | I1       | 1             | R/W | Specify interrupt request mask levels (0 to 7). For details, see section 5, Interrupt Controller.  |
|        | I0       | 1             | R/W |  |

### 2.4.4 Condition-Code Register (CCR)

This 8-bit register contains internal CPU status information, including an interrupt mask bit (I) and half-carry (H), negative (N), zero (Z), overflow (V), and carry (C) flags.

Operations can be performed on the CCR bits by the LDC, STC, ANDC, ORC, and XORC instructions. The N, Z, V, and C flags are used as branching conditions for conditional branch (Bcc) instructions.

| Bit | Bit Name | Initial Value | R/W | Description  |
|-----|----------|---------------|-----|--|
| 7   | I        | 1             | R/W | <p>Interrupt Mask Bit</p> <p>Masks interrupts other than NMI when set to 1. NMI is accepted regardless of the I bit setting. The I bit is set to 1 at the start of an exception-handling sequence. For details, refer to section 5, Interrupt Controller.</p>  |
| 6   | UI       | Undefined     | R/W | <p>User Bit or Interrupt Mask Bit</p> <p>Can be written to and read from by software using the LDC, STC, ANDC, ORC, and XORC instructions. For this LSI, Interrupt Mask Bit is not available.</p>  |
| 5   | H        | Undefined     | R/W | <p>Half-Carry Flag</p> <p>When the ADD.B, ADDX.B, SUB.B, SUBX.B, CMP.B or NEG.B instruction is executed, this flag is set to 1 if there is a carry or borrow at bit 3, and cleared to 0 otherwise. When the ADD.W, SUB.W, CMP.W, or NEG.W instruction is executed, the H flag is set to 1 if there is a carry or borrow at bit 11, and cleared to 0 otherwise. When the ADD.L, SUB.L, CMP.L, or NEG.L instruction is executed, the H flag is set to 1 if there is a carry or borrow at bit 27, and cleared to 0 otherwise.</p> |
| 4   | U        | Undefined     | R/W | <p>User Bit</p> <p>Can be written to and read from by software using the LDC, STC, ANDC, ORC, and XORC instructions.</p>   |
| 3   | N        | Undefined     | R/W | <p>Negative Flag</p> <p>Stores the value of the most significant bit of data as a sign bit.</p>  |
| 2   | Z        | Undefined     | R/W | <p>Zero Flag</p> <p>Set to 1 to indicate zero data, and cleared to 0 to indicate non-zero data.</p>  |

| Bit | Bit Name | Initial Value | R/W | Description  |
|-----|----------|---------------|-----|--|
| 1   | V        | Undefined     | R/W | <p>Overflow Flag</p> <p>Set to 1 when an arithmetic overflow occurs, and cleared to 0 otherwise.</p>   |
| 0   | C        | Undefined     | R/W | <p>Carry Flag</p> <p>Set to 1 when a carry occurs, and cleared to 0 otherwise. Used by:</p> <ul style="list-style-type: none"> <li>• Add instructions, to indicate a carry</li> <li>• Subtract instructions, to indicate a borrow</li> <li>• Shift and rotate instructions, to indicate a carry</li> </ul> <p>The carry flag is also used as a bit accumulator by bit manipulation instructions.</p> |

### 2.4.5 Initial Register Values

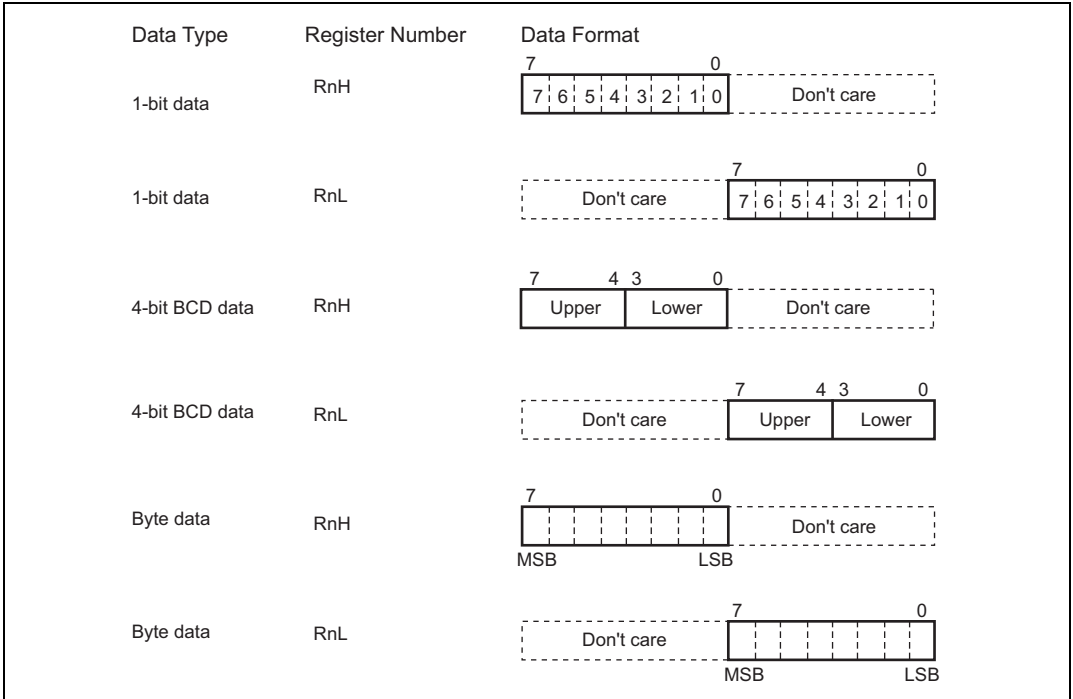
Reset exception handling loads the CPU's program counter (PC) from the vector table, clears the trace (T) bit in EXR to 0, and sets the interrupt mask (I) bits in CCR and EXR to 1. The other CCR bits and the general registers are not initialized. Note that the stack pointer (ER7) is undefined. The stack pointer should therefore be initialized by an MOV.L instruction executed immediately after a reset.

## 2.5 Data Formats

The H8S/2000 CPU can process 1-bit, 4-bit BCD, 8-bit (byte), 16-bit (word), and 32-bit (longword) data. Bit-manipulation instructions operate on 1-bit data by accessing bit  $n$  ( $n = 0, 1, 2, \dots, 7$ ) of byte operand data. The DAA and DAS decimal-adjust instructions treat byte data as two digits of 4-bit BCD data.

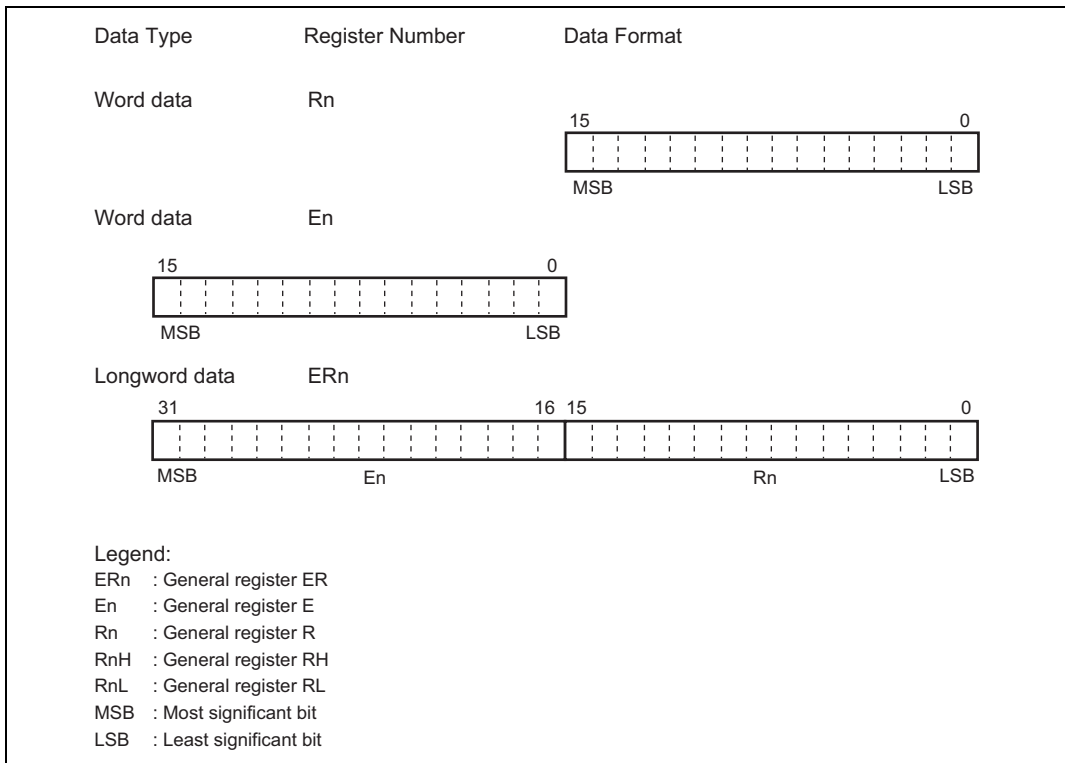
## 2.5.1 General Register Data Formats

Figure 2.9 shows the data formats of general registers.



**Figure 2.9 General Register Data Formats (1)**



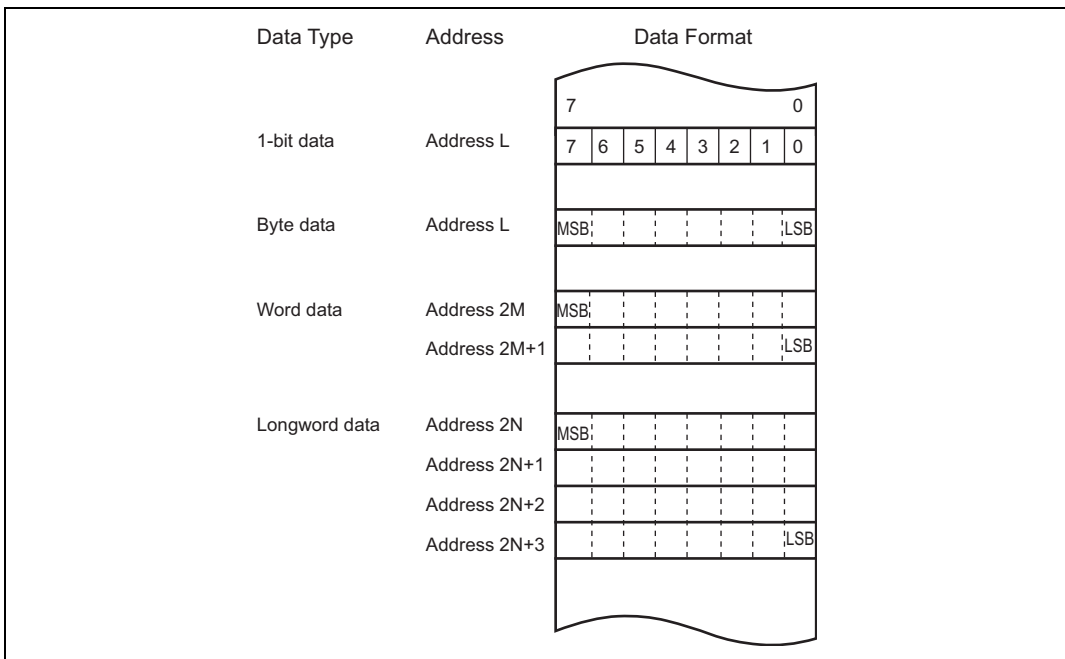


**Figure 2.9 General Register Data Formats (2)**

## 2.5.2 Memory Data Formats

Figure 2.10 shows the data formats in memory. The H8S/2000 CPU can access word data and longword data in memory, but word or longword data must begin at an even address. If an attempt is made to access word or longword data at an odd address, no address error occurs but the least significant bit of the address is regarded as 0, so the access starts at the preceding address. This also applies to instruction fetches.

When SP (ER7) is used as an address register to access the stack, the operand size should be word size or longword size.



**Figure 2.10 Memory Data Formats**

## 2.6 Instruction Set

The H8S/2000 CPU has 65 types of instructions. The instructions are classified by function as shown in table 2.1.

**Table 2.1 Instruction Classification**

| Function              | Instructions  | Size  | Types |
|-----------------------|---|-------|-------|
| Data transfer         | MOV   | B/W/L | 5     |
|                       | POP* <sup>1</sup> , PUSH* <sup>1</sup>  | W/L   |       |
|                       | LDM, STM  | L     |       |
|                       | MOVFPE* <sup>3</sup> , MOVTPPE* <sup>3</sup>                                      | B     |       |
| Arithmetic operations | ADD, SUB, CMP, NEG  | B/W/L | 19    |
|                       | ADDX, SUBX, DAA, DAS  | B     |       |
|                       | INC, DEC  | B/W/L |       |
|                       | ADDS, SUBS  | L     |       |
|                       | MULXU, DIVXU, MULXS, DIVXS  | B/W   |       |
|                       | EXTU, EXTS  | W/L   |       |
|                       | TAS* <sup>4</sup>   | B     |       |
| Logic operations      | AND, OR, XOR, NOT   | B/W/L | 4     |
| Shift                 | SHAL, SHAR, SHLL, SHLR, ROTL, ROTR, ROTXL, ROTXR                                  | B/W/L | 8     |
| Bit manipulation      | BSET, BCLR, BNOT, BTST, BLD, BILD, BST, BIST, BAND, BIAND, BOR, BIOR, BXOR, BIXOR | B     | 14    |
| Branch                | B <sub>CC</sub> * <sup>2</sup> , JMP, BSR, JSR, RTS                               | —     | 5     |
| System control        | TRAPA, RTE, SLEEP, LDC, STC, ANDC, ORC, XORC, NOP                                 | —     | 9     |
| Block data transfer   | EEPMOV  | —     | 1     |

Total: 65

Notes: B: Byte size; W: Word size; L: Longword size.

1. POP.W Rn and PUSH.W Rn are identical to MOV.W @SP+, Rn and MOV.W Rn, @-SP. POP.L ERn and PUSH.L ERn are identical to MOV.L @SP+, ERn and MOV.L ERn, @-SP.
2. B<sub>CC</sub> is the general name for conditional branch instructions.
3. Cannot be used in this LSI.
4. Only register ER0, ER1, ER4, or ER5 should be used when using the TAS instruction.

## 2.6.1 Table of Instructions Classified by Function

Tables 2.3 to 2.10 summarize the instructions in each functional category. The notation used in tables 2.3 to 2.10 is defined below.

**Table 2.2 Operation Notation**

| Symbol         | Description                        |
|----------------|------------------------------------|
| Rd             | General register (destination)*    |
| Rs             | General register (source)*         |
| Rn             | General register*                  |
| ERn            | General register (32-bit register) |
| (EAd)          | Destination operand                |
| (EAs)          | Source operand                     |
| EXR            | Extended control register          |
| CCR            | Condition-code register            |
| N              | N (negative) flag in CCR           |
| Z              | Z (zero) flag in CCR               |
| V              | V (overflow) flag in CCR           |
| C              | C (carry) flag in CCR              |
| PC             | Program counter                    |
| SP             | Stack pointer                      |
| #IMM           | Immediate data                     |
| disp           | Displacement                       |
| +              | Addition                           |
| −              | Subtraction                        |
| ×              | Multiplication                     |
| ÷              | Division                           |
| ^              | Logical AND                        |
| ∨              | Logical OR                         |
| ⊕              | Logical exclusive OR               |
| →              | Move                               |
| ~              | NOT (logical complement)           |
| :8/:16/:24/:32 | 8-, 16-, 24-, or 32-bit length     |

Note: \* General registers include 8-bit registers (R0H to R7H, R0L to R7L), 16-bit registers (R0 to R7, E0 to E7), and 32-bit registers (ER0 to ER7).

**Table 2.3 Data Transfer Instructions**

| <b>Instruction</b> | <b>Size*</b> | <b>Function</b>   |
|--------------------|--------------|---|
| MOV                | B/W/L        | (EAs) → Rd, Rs → (EAd)<br>Moves data between two general registers or between a general register and memory, or moves immediate data to a general register. |
| MOVFPE             | B            | Cannot be used in this LSI.   |
| MOVTPE             | B            | Cannot be used in this LSI.   |
| POP                | W/L          | @SP+ → Rn<br>Pops a general register from the stack. POP.W Rn is identical to MOV.W @SP+, Rn. POP.L ERn is identical to MOV.L @SP+, ERn                     |
| PUSH               | W/L          | Rn → @-SP<br>Pushes a general register onto the stack. PUSH.W Rn is identical to MOV.W Rn, @-SP. PUSH.L ERn is identical to MOV.L ERn, @-SP.                |
| LDM                | L            | @SP+ → Rn (register list)<br>Pops two or more general registers from the stack.   |
| STM                | L            | Rn (register list) → @-SP<br>Pushes two or more general registers onto the stack.   |

Note: \* Size refers to the operand size.

B: Byte

W: Word

L: Longword

**Table 2.4 Arithmetic Operations Instructions**

| <b>Instruction</b> | <b>Size<sup>*1</sup></b> | <b>Function</b>   |
|--------------------|--------------------------|---|
| ADD                | B/W/L                    | $Rd \pm Rs \rightarrow Rd, Rd \pm \#IMM \rightarrow Rd$   |
| SUB                |                          | Performs addition or subtraction on data in two general registers, or on immediate data and data in a general register. (Subtraction on immediate data and data in a general register cannot be performed in bytes. Use the SUBX or ADD instruction.)   |
| ADDX               | B                        | $Rd \pm Rs \pm C \rightarrow Rd, Rd \pm \#IMM \pm C \rightarrow Rd$   |
| SUBX               |                          | Performs addition or subtraction with carry on data in two general registers, or on immediate data and data in a general register.  |
| INC                | B/W/L                    | $Rd \pm 1 \rightarrow Rd, Rd \pm 2 \rightarrow Rd$  |
| DEC                |                          | Adds or subtracts the value 1 or 2 to or from data in a general register. (Only the value 1 can be added to or subtracted from byte operands.)  |
| ADDS               | L                        | $Rd \pm 1 \rightarrow Rd, Rd \pm 2 \rightarrow Rd, Rd \pm 4 \rightarrow Rd$   |
| SUBS               |                          | Adds or subtracts the value 1, 2, or 4 to or from data in a 32-bit register.  |
| DAA                | B                        | $Rd$ (decimal adjust) $\rightarrow Rd$  |
| DAS                |                          | Decimal-adjusts an addition or subtraction result in a general register by referring to CCR to produce 4-bit BCD data.  |
| MULXU              | B/W                      | $Rd \times Rs \rightarrow Rd$<br>Performs unsigned multiplication on data in two general registers: either 8 bits $\times$ 8 bits $\rightarrow$ 16 bits or 16 bits $\times$ 16 bits $\rightarrow$ 32 bits.  |
| MULXS              | B/W                      | $Rd \times Rs \rightarrow Rd$<br>Performs signed multiplication on data in two general registers: either 8 bits $\times$ 8 bits $\rightarrow$ 16 bits or 16 bits $\times$ 16 bits $\rightarrow$ 32 bits.  |
| DIVXU              | B/W                      | $Rd \div Rs \rightarrow Rd$<br>Performs unsigned division on data in two general registers: either 16 bits $\div$ 8 bits $\rightarrow$ 8-bit quotient and 8-bit remainder or 32 bits $\div$ 16 bits $\rightarrow$ 16-bit quotient and 16-bit remainder. |

| Instruction       | Size <sup>*1</sup> | Function  |
|-------------------|--------------------|---|
| DIVXS             | B/W                | $Rd \div Rs \rightarrow Rd$<br>Performs signed division on data in two general registers: either 16 bits $\div$ 8 bits $\rightarrow$ 8-bit quotient and 8-bit remainder or 32 bits $\div$ 16 bits $\rightarrow$ 16-bit quotient and 16-bit remainder. |
| CMP               | B/W/L              | $Rd - Rs, Rd - \#IMM$<br>Compares data in a general register with data in another general register or with immediate data, and sets the CCR bits according to the result.   |
| NEG               | B/W/L              | $0 - Rd \rightarrow Rd$<br>Takes the two's complement (arithmetic complement) of data in a general register.  |
| EXTU              | W/L                | $Rd$ (zero extension) $\rightarrow Rd$<br>Extends the lower 8 bits of a 16-bit register to word size, or the lower 16 bits of a 32-bit register to longword size, by padding with zeros on the left.  |
| EXTS              | W/L                | $Rd$ (sign extension) $\rightarrow Rd$<br>Extends the lower 8 bits of a 16-bit register to word size, or the lower 16 bits of a 32-bit register to longword size, by extending the sign bit.  |
| TAS <sup>*2</sup> | B                  | $@ERd - 0, 1 \rightarrow (<bit\ 7> \text{ of } @ERd)$<br>Tests memory contents, and sets the most significant bit (bit 7) to 1.   |

Notes: 1. Size refers to the operand size.

B: Byte

W: Word

L: Longword

2. Only register ER0, ER1, ER4, or ER5 should be used when using the TAS instruction.

**Table 2.5 Logic Operations Instructions**

| <b>Instruction</b> | <b>Size*</b> | <b>Function</b>   |
|--------------------|--------------|---|
| AND                | B/W/L        | $Rd \wedge Rs \rightarrow Rd$ , $Rd \wedge \#IMM \rightarrow Rd$<br>Performs a logical AND operation on a general register and another general register or immediate data.          |
| OR                 | B/W/L        | $Rd \vee Rs \rightarrow Rd$ , $Rd \vee \#IMM \rightarrow Rd$<br>Performs a logical OR operation on a general register and another general register or immediate data.               |
| XOR                | B/W/L        | $Rd \oplus Rs \rightarrow Rd$ , $Rd \oplus \#IMM \rightarrow Rd$<br>Performs a logical exclusive OR operation on a general register and another general register or immediate data. |
| NOT                | B/W/L        | $\sim Rd \rightarrow Rd$<br>Takes the one's complement (logical complement) of data in a general register.  |

Note: \* Size refers to the operand size.

B: Byte

W: Word

L: Longword

**Table 2.6 Shift Instructions**

| <b>Instruction</b> | <b>Size*</b> | <b>Function</b>   |
|--------------------|--------------|---|
| SHAL               | B/W/L        | $Rd \text{ (shift)} \rightarrow Rd$   |
| SHAR               |              | Performs an arithmetic shift on data in a general register. 1-bit or 2 bit shift is possible.     |
| SHLL               | B/W/L        | $Rd \text{ (shift)} \rightarrow Rd$   |
| SHLR               |              | Performs a logical shift on data in a general register. 1-bit or 2 bit shift is possible.         |
| ROTL               | B/W/L        | $Rd \text{ (rotate)} \rightarrow Rd$  |
| ROTR               |              | Rotates data in a general register. 1-bit or 2 bit rotation is possible.                          |
| ROTXL              | B/W/L        | $Rd \text{ (rotate)} \rightarrow Rd$  |
| ROTXR              |              | Rotates data including the carry flag in a general register. 1-bit or 2 bit rotation is possible. |

Note: \* Size refers to the operand size.

B: Byte

W: Word

L: Longword



**Table 2.7 Bit Manipulation Instructions**

| <b>Instruction</b> | <b>Size*</b> | <b>Function</b>   |
|--------------------|--------------|---|
| BSET               | B            | $1 \rightarrow \langle \text{bit-No.} \rangle \text{ of } \langle \text{EAd} \rangle$<br>Sets a specified bit in a general register or memory operand to 1. The bit number is specified by 3-bit immediate data or the lower three bits of a general register.  |
| BCLR               | B            | $0 \rightarrow \langle \text{bit-No.} \rangle \text{ of } \langle \text{EAd} \rangle$<br>Clears a specified bit in a general register or memory operand to 0. The bit number is specified by 3-bit immediate data or the lower three bits of a general register.  |
| BNOT               | B            | $\sim \langle \text{bit-No.} \rangle \text{ of } \langle \text{EAd} \rangle \rightarrow \langle \text{bit-No.} \rangle \text{ of } \langle \text{EAd} \rangle$<br>Inverts a specified bit in a general register or memory operand. The bit number is specified by 3-bit immediate data or the lower three bits of a general register. |
| BTST               | B            | $\sim \langle \text{bit-No.} \rangle \text{ of } \langle \text{EAd} \rangle \rightarrow Z$<br>Tests a specified bit in a general register or memory operand and sets or clears the Z flag accordingly. The bit number is specified by 3-bit immediate data or the lower three bits of a general register.                             |
| BAND               | B            | $C \wedge \langle \text{bit-No.} \rangle \text{ of } \langle \text{EAd} \rangle \rightarrow C$<br>Logically ANDs the carry flag with a specified bit in a general register or memory operand and stores the result in the carry flag.   |
| BIAND              | B            | $C \wedge \langle \text{bit-No.} \rangle \text{ of } \langle \text{EAd} \rangle \rightarrow C$<br>Logically ANDs the carry flag with the inverse of a specified bit in a general register or memory operand and stores the result in the carry flag.<br>The bit number is specified by 3-bit immediate data.                          |
| BOR                | B            | $C \vee \langle \text{bit-No.} \rangle \text{ of } \langle \text{EAd} \rangle \rightarrow C$<br>Logically ORs the carry flag with a specified bit in a general register or memory operand and stores the result in the carry flag.  |
| BIOR               | B            | $C \vee (\sim \langle \text{bit-No.} \rangle \text{ of } \langle \text{EAd} \rangle) \rightarrow C$<br>Logically ORs the carry flag with the inverse of a specified bit in a general register or memory operand and stores the result in the carry flag.<br>The bit number is specified by 3-bit immediate data.                      |

| Instruction | Size* | Function   |
|-------------|-------|--|
| BXOR        | B     | $C \oplus \langle \text{bit-No.} \rangle \text{ of } \langle \text{EAd} \rangle \rightarrow C$<br>Logically exclusive-ORs the carry flag with a specified bit in a general register or memory operand and stores the result in the carry flag.   |
| BIXOR       | B     | $C \oplus \sim \langle \text{bit-No.} \rangle \text{ of } \langle \text{EAd} \rangle \rightarrow C$<br>Logically exclusive-ORs the carry flag with the inverse of a specified bit in a general register or memory operand and stores the result in the carry flag.<br>The bit number is specified by 3-bit immediate data. |
| BLD         | B     | $\langle \text{bit-No.} \rangle \text{ of } \langle \text{EAd} \rangle \rightarrow C$<br>Transfers a specified bit in a general register or memory operand to the carry flag.  |
| BILD        | B     | $\sim \langle \text{bit-No.} \rangle \text{ of } \langle \text{EAd} \rangle \rightarrow C$<br>Transfers the inverse of a specified bit in a general register or memory operand to the carry flag.<br>The bit number is specified by 3-bit immediate data.  |
| BST         | B     | $C \rightarrow \langle \text{bit-No.} \rangle \text{ of } \langle \text{EAd} \rangle$<br>Transfers the carry flag value to a specified bit in a general register or memory operand.  |
| BIST        | B     | $\sim C \rightarrow \langle \text{bit-No.} \rangle \text{ of } \langle \text{EAd} \rangle$<br>Transfers the inverse of the carry flag value to a specified bit in a general register or memory operand.<br>The bit number is specified by 3-bit immediate data.  |

Note: \* Size refers to the operand size.

B: Byte

**Table 2.8 Branch Instructions**

| <b>Instruction</b> | <b>Size</b>                   | <b>Function</b>   |                 |                    |                  |          |               |        |          |               |       |     |      |                |     |             |                |           |                               |         |           |                 |         |     |           |         |     |       |         |     |                |         |     |              |         |     |      |         |     |       |         |     |                  |                  |     |           |                  |     |              |                           |     |               |                           |
|--------------------|-------------------------------|---|-----------------|--------------------|------------------|----------|---------------|--------|----------|---------------|-------|-----|------|----------------|-----|-------------|----------------|-----------|-------------------------------|---------|-----------|-----------------|---------|-----|-----------|---------|-----|-------|---------|-----|----------------|---------|-----|--------------|---------|-----|------|---------|-----|-------|---------|-----|------------------|------------------|-----|-----------|------------------|-----|--------------|---------------------------|-----|---------------|---------------------------|
| Bcc                | —                             | Branches to a specified address if a specified condition is true. The branching conditions are listed below.  |                 |                    |                  |          |               |        |          |               |       |     |      |                |     |             |                |           |                               |         |           |                 |         |     |           |         |     |       |         |     |                |         |     |              |         |     |      |         |     |       |         |     |                  |                  |     |           |                  |     |              |                           |     |               |                           |
|                    |                               | <table border="1"> <thead> <tr> <th><b>Mnemonic</b></th> <th><b>Description</b></th> <th><b>Condition</b></th> </tr> </thead> <tbody> <tr> <td>BRA (BT)</td> <td>Always (true)</td> <td>Always</td> </tr> <tr> <td>BRN (BF)</td> <td>Never (false)</td> <td>Never</td> </tr> <tr> <td>BHI</td> <td>High</td> <td><math>C \vee Z = 0</math></td> </tr> <tr> <td>BLS</td> <td>Low or same</td> <td><math>C \vee Z = 1</math></td> </tr> <tr> <td>BCC (BHS)</td> <td>Carry clear<br/>(high or same)</td> <td><math>C = 0</math></td> </tr> <tr> <td>BCS (BLO)</td> <td>Carry set (low)</td> <td><math>C = 1</math></td> </tr> <tr> <td>BNE</td> <td>Not equal</td> <td><math>Z = 0</math></td> </tr> <tr> <td>BEQ</td> <td>Equal</td> <td><math>Z = 1</math></td> </tr> <tr> <td>BVC</td> <td>Overflow clear</td> <td><math>V = 0</math></td> </tr> <tr> <td>BVS</td> <td>Overflow set</td> <td><math>V = 1</math></td> </tr> <tr> <td>BPL</td> <td>Plus</td> <td><math>N = 0</math></td> </tr> <tr> <td>BMI</td> <td>Minus</td> <td><math>N = 1</math></td> </tr> <tr> <td>BGE</td> <td>Greater or equal</td> <td><math>N \oplus V = 0</math></td> </tr> <tr> <td>BLT</td> <td>Less than</td> <td><math>N \oplus V = 1</math></td> </tr> <tr> <td>BGT</td> <td>Greater than</td> <td><math>Z \vee (N \oplus V) = 0</math></td> </tr> <tr> <td>BLE</td> <td>Less or equal</td> <td><math>Z \vee (N \oplus V) = 1</math></td> </tr> </tbody> </table> | <b>Mnemonic</b> | <b>Description</b> | <b>Condition</b> | BRA (BT) | Always (true) | Always | BRN (BF) | Never (false) | Never | BHI | High | $C \vee Z = 0$ | BLS | Low or same | $C \vee Z = 1$ | BCC (BHS) | Carry clear<br>(high or same) | $C = 0$ | BCS (BLO) | Carry set (low) | $C = 1$ | BNE | Not equal | $Z = 0$ | BEQ | Equal | $Z = 1$ | BVC | Overflow clear | $V = 0$ | BVS | Overflow set | $V = 1$ | BPL | Plus | $N = 0$ | BMI | Minus | $N = 1$ | BGE | Greater or equal | $N \oplus V = 0$ | BLT | Less than | $N \oplus V = 1$ | BGT | Greater than | $Z \vee (N \oplus V) = 0$ | BLE | Less or equal | $Z \vee (N \oplus V) = 1$ |
| <b>Mnemonic</b>    | <b>Description</b>            | <b>Condition</b>  |                 |                    |                  |          |               |        |          |               |       |     |      |                |     |             |                |           |                               |         |           |                 |         |     |           |         |     |       |         |     |                |         |     |              |         |     |      |         |     |       |         |     |                  |                  |     |           |                  |     |              |                           |     |               |                           |
| BRA (BT)           | Always (true)                 | Always  |                 |                    |                  |          |               |        |          |               |       |     |      |                |     |             |                |           |                               |         |           |                 |         |     |           |         |     |       |         |     |                |         |     |              |         |     |      |         |     |       |         |     |                  |                  |     |           |                  |     |              |                           |     |               |                           |
| BRN (BF)           | Never (false)                 | Never   |                 |                    |                  |          |               |        |          |               |       |     |      |                |     |             |                |           |                               |         |           |                 |         |     |           |         |     |       |         |     |                |         |     |              |         |     |      |         |     |       |         |     |                  |                  |     |           |                  |     |              |                           |     |               |                           |
| BHI                | High                          | $C \vee Z = 0$  |                 |                    |                  |          |               |        |          |               |       |     |      |                |     |             |                |           |                               |         |           |                 |         |     |           |         |     |       |         |     |                |         |     |              |         |     |      |         |     |       |         |     |                  |                  |     |           |                  |     |              |                           |     |               |                           |
| BLS                | Low or same                   | $C \vee Z = 1$  |                 |                    |                  |          |               |        |          |               |       |     |      |                |     |             |                |           |                               |         |           |                 |         |     |           |         |     |       |         |     |                |         |     |              |         |     |      |         |     |       |         |     |                  |                  |     |           |                  |     |              |                           |     |               |                           |
| BCC (BHS)          | Carry clear<br>(high or same) | $C = 0$   |                 |                    |                  |          |               |        |          |               |       |     |      |                |     |             |                |           |                               |         |           |                 |         |     |           |         |     |       |         |     |                |         |     |              |         |     |      |         |     |       |         |     |                  |                  |     |           |                  |     |              |                           |     |               |                           |
| BCS (BLO)          | Carry set (low)               | $C = 1$   |                 |                    |                  |          |               |        |          |               |       |     |      |                |     |             |                |           |                               |         |           |                 |         |     |           |         |     |       |         |     |                |         |     |              |         |     |      |         |     |       |         |     |                  |                  |     |           |                  |     |              |                           |     |               |                           |
| BNE                | Not equal                     | $Z = 0$   |                 |                    |                  |          |               |        |          |               |       |     |      |                |     |             |                |           |                               |         |           |                 |         |     |           |         |     |       |         |     |                |         |     |              |         |     |      |         |     |       |         |     |                  |                  |     |           |                  |     |              |                           |     |               |                           |
| BEQ                | Equal                         | $Z = 1$   |                 |                    |                  |          |               |        |          |               |       |     |      |                |     |             |                |           |                               |         |           |                 |         |     |           |         |     |       |         |     |                |         |     |              |         |     |      |         |     |       |         |     |                  |                  |     |           |                  |     |              |                           |     |               |                           |
| BVC                | Overflow clear                | $V = 0$   |                 |                    |                  |          |               |        |          |               |       |     |      |                |     |             |                |           |                               |         |           |                 |         |     |           |         |     |       |         |     |                |         |     |              |         |     |      |         |     |       |         |     |                  |                  |     |           |                  |     |              |                           |     |               |                           |
| BVS                | Overflow set                  | $V = 1$   |                 |                    |                  |          |               |        |          |               |       |     |      |                |     |             |                |           |                               |         |           |                 |         |     |           |         |     |       |         |     |                |         |     |              |         |     |      |         |     |       |         |     |                  |                  |     |           |                  |     |              |                           |     |               |                           |
| BPL                | Plus                          | $N = 0$   |                 |                    |                  |          |               |        |          |               |       |     |      |                |     |             |                |           |                               |         |           |                 |         |     |           |         |     |       |         |     |                |         |     |              |         |     |      |         |     |       |         |     |                  |                  |     |           |                  |     |              |                           |     |               |                           |
| BMI                | Minus                         | $N = 1$   |                 |                    |                  |          |               |        |          |               |       |     |      |                |     |             |                |           |                               |         |           |                 |         |     |           |         |     |       |         |     |                |         |     |              |         |     |      |         |     |       |         |     |                  |                  |     |           |                  |     |              |                           |     |               |                           |
| BGE                | Greater or equal              | $N \oplus V = 0$  |                 |                    |                  |          |               |        |          |               |       |     |      |                |     |             |                |           |                               |         |           |                 |         |     |           |         |     |       |         |     |                |         |     |              |         |     |      |         |     |       |         |     |                  |                  |     |           |                  |     |              |                           |     |               |                           |
| BLT                | Less than                     | $N \oplus V = 1$  |                 |                    |                  |          |               |        |          |               |       |     |      |                |     |             |                |           |                               |         |           |                 |         |     |           |         |     |       |         |     |                |         |     |              |         |     |      |         |     |       |         |     |                  |                  |     |           |                  |     |              |                           |     |               |                           |
| BGT                | Greater than                  | $Z \vee (N \oplus V) = 0$   |                 |                    |                  |          |               |        |          |               |       |     |      |                |     |             |                |           |                               |         |           |                 |         |     |           |         |     |       |         |     |                |         |     |              |         |     |      |         |     |       |         |     |                  |                  |     |           |                  |     |              |                           |     |               |                           |
| BLE                | Less or equal                 | $Z \vee (N \oplus V) = 1$   |                 |                    |                  |          |               |        |          |               |       |     |      |                |     |             |                |           |                               |         |           |                 |         |     |           |         |     |       |         |     |                |         |     |              |         |     |      |         |     |       |         |     |                  |                  |     |           |                  |     |              |                           |     |               |                           |
| JMP                | —                             | Branches unconditionally to a specified address.  |                 |                    |                  |          |               |        |          |               |       |     |      |                |     |             |                |           |                               |         |           |                 |         |     |           |         |     |       |         |     |                |         |     |              |         |     |      |         |     |       |         |     |                  |                  |     |           |                  |     |              |                           |     |               |                           |
| BSR                | —                             | Branches to a subroutine at a specified address   |                 |                    |                  |          |               |        |          |               |       |     |      |                |     |             |                |           |                               |         |           |                 |         |     |           |         |     |       |         |     |                |         |     |              |         |     |      |         |     |       |         |     |                  |                  |     |           |                  |     |              |                           |     |               |                           |
| JSR                | —                             | Branches to a subroutine at a specified address   |                 |                    |                  |          |               |        |          |               |       |     |      |                |     |             |                |           |                               |         |           |                 |         |     |           |         |     |       |         |     |                |         |     |              |         |     |      |         |     |       |         |     |                  |                  |     |           |                  |     |              |                           |     |               |                           |
| RTS                | —                             | Returns from a subroutine   |                 |                    |                  |          |               |        |          |               |       |     |      |                |     |             |                |           |                               |         |           |                 |         |     |           |         |     |       |         |     |                |         |     |              |         |     |      |         |     |       |         |     |                  |                  |     |           |                  |     |              |                           |     |               |                           |

**Table 2.9 System Control Instructions**

| <b>Instruction</b> | <b>Size*</b> | <b>Function</b>   |
|--------------------|--------------|---|
| TRAPA              | —            | Starts trap-instruction exception handling.   |
| RTE                | —            | Returns from an exception-handling routine.   |
| SLEEP              | —            | Causes a transition to a power-down state.  |
| LDC                | B/W          | (EAs) → CCR, (EAs) → EXR<br>Moves the memory operand contents or immediate data to CCR or EXR. Although CCR and EXR are 8-bit registers, word-size transfers are performed between them and memory. The upper 8 bits are valid.     |
| STC                | B/W          | CCR → (EAd), EXR → (EAd)<br>Transfers CCR or EXR contents to a general register or memory operand. Although CCR and EXR are 8-bit registers, word-size transfers are performed between them and memory. The upper 8 bits are valid. |
| ANDC               | B            | CCR ∧ #IMM → CCR, EXR ∧ #IMM → EXR<br>Logically ANDs the CCR or EXR contents with immediate data.   |
| ORC                | B            | CCR ∨ #IMM → CCR, EXR ∨ #IMM → EXR<br>Logically ORs the CCR or EXR contents with immediate data.  |
| XORC               | B            | CCR ⊕ #IMM → CCR, EXR ⊕ #IMM → EXR<br>Logically exclusive-ORs the CCR or EXR contents with immediate data.  |
| NOP                | —            | PC + 2 → PC<br>Only increments the program counter.   |

Note: \* Size refers to the operand size.

B: Byte

W: Word

**Table 2.10 Block Data Transfer Instructions**

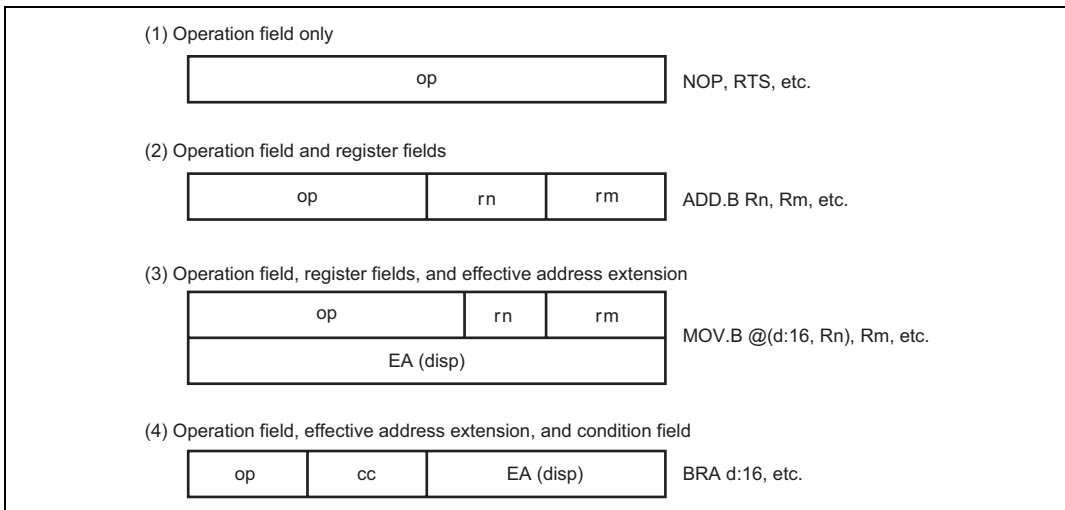
| <b>Instruction</b> | <b>Size</b> | <b>Function</b>   |
|--------------------|-------------|---|
| EEPMOV.B           | —           | if R4L $\neq$ 0 then<br>Repeat @ER5+ $\rightarrow$ @ER6+<br>R4L-1 $\rightarrow$ R4L<br>Until R4L = 0<br>else next:  |
| EEPMOV.W           | —           | if R4 $\neq$ 0 then<br>Repeat @ER5+ $\rightarrow$ @ER6+<br>R4-1 $\rightarrow$ R4<br>Until R4 = 0<br>else next:<br><br>Transfers a data block. Starting from the address set in ER5, transfers data for the number of bytes set in R4L or R4 to the address location set in ER6.<br><br>Execution of the next instruction begins as soon as the transfer is completed. |

## 2.6.2 Basic Instruction Formats

The H8S/2000 CPU instructions consist of 2-byte (1-word) units. An instruction consists of an operation field (op), a register field (r), an effective address extension (EA), and a condition field (cc).

Figure 2.11 shows examples of instruction formats.

- **Operation field**  
Indicates the function of the instruction, the addressing mode, and the operation to be carried out on the operand. The operation field always includes the first four bits of the instruction. Some instructions have two operation fields.
- **Register field**  
Specifies a general register. Address registers are specified by 3 bits, and data registers by 3 bits or 4 bits. Some instructions have two register fields, and some have no register field.
- **Effective address extension**  
8, 16, or 32 bits specifying immediate data, an absolute address, or a displacement.
- **Condition field**  
Specifies the branching condition of Bcc instructions.



**Figure 2.11 Instruction Formats (Examples)**

## 2.7 Addressing Modes and Effective Address Calculation

The H8S/2000 CPU supports the eight addressing modes listed in table 2.11. Each instruction uses a subset of these addressing modes.

Arithmetic and logic operations instructions can use the register direct and immediate addressing modes. Data transfer instructions can use all addressing modes except program-counter relative and memory indirect. Bit manipulation instructions can use register direct, register indirect, or absolute addressing mode to specify an operand, and register direct (BSET, BCLR, BNOT, and BTST instructions) or immediate (3-bit) addressing mode to specify a bit number in the operand.

**Table 2.11 Addressing Modes**

| No. | Addressing Mode   | Symbol                     |
|-----|---|----------------------------|
| 1   | Register direct   | Rn                         |
| 2   | Register indirect   | @ERn                       |
| 3   | Register indirect with displacement   | @(d:16,ERn)/@(d:32,ERn)    |
| 4   | Register indirect with post-increment<br>Register indirect with pre-decrement | @ERn+<br>@-ERn             |
| 5   | Absolute address  | @aa:8/@aa:16/@aa:24/@aa:32 |
| 6   | Immediate   | #xx:8/#xx:16/#xx:32        |
| 7   | Program-counter relative  | @(d:8,PC)/@(d:16,PC)       |
| 8   | Memory indirect   | @@aa:8                     |

### 2.7.1 Register Direct—Rn

The register field of the instruction code specifies an 8-, 16-, or 32-bit general register which contains the operand. R0H to R7H and R0L to R7L can be specified as 8-bit registers. R0 to R7 and E0 to E7 can be specified as 16-bit registers. ER0 to ER7 can be specified as 32-bit registers.

### 2.7.2 Register Indirect—@ERn

The register field of the instruction code specifies an address register (ERn) which contains the address of a memory operand. If the address is a program instruction address, the lower 24 bits are valid and the upper 8 bits are all assumed to be 0 (H'00).

### 2.7.3 Register Indirect with Displacement—@(d:16, ERn) or @(d:32, ERn)

A 16-bit or 32-bit displacement contained in the instruction code is added to an address register (ERn) specified by the register field of the instruction, and the sum gives the address of a memory operand. A 16-bit displacement is sign-extended when added.

### 2.7.4 Register Indirect with Post-Increment or Pre-Decrement—@ERn+ or @-ERn

**Register Indirect with Post-Increment—@ERn+:** The register field of the instruction code specifies an address register (ERn) which contains the address of a memory operand. After the operand is accessed, 1, 2, or 4 is added to the address register contents and the sum is stored in the address register. The value added is 1 for byte access, 2 for word access, and 4 for longword access. For word or longword transfer instructions, the register value should be even.

**Register Indirect with Pre-Decrement—@-ERn:** The value 1, 2, or 4 is subtracted from an address register (ERn) specified by the register field in the instruction code, and the result becomes the address of a memory operand. The result is also stored in the address register. The value subtracted is 1 for byte access, 2 for word access, and 4 for longword access. For word or longword transfer instructions, the register value should be even.

### 2.7.5 Absolute Address—@aa:8, @aa:16, @aa:24, or @aa:32

The instruction code contains the absolute address of a memory operand. The absolute address may be 8 bits long (@aa:8), 16 bits long (@aa:16), 24 bits long (@aa:24), or 32 bits long (@aa:32). Table 2.12 indicates the accessible absolute address ranges.

To access data, the absolute address should be 8 bits (@aa:8), 16 bits (@aa:16), or 32 bits (@aa:32) long. For an 8-bit absolute address, the upper 24 bits are all assumed to be 1 (H'FFFF). For a 16-bit absolute address, the upper 16 bits are a sign extension. For a 32-bit absolute address, the entire address space is accessed.

A 24-bit absolute address (@aa:24) indicates the address of a program instruction. The upper 8 bits are all assumed to be 0 (H'00).

**Table 2.12 Absolute Address Access Ranges**

| Absolute Address            |                  | Normal Mode      | Advanced Mode                                 |
|-----------------------------|------------------|------------------|---|
| Data address                | 8 bits (@aa:8)   | H'FF00 to H'FFFF | H'FFFF00 to H'FFFFFF                          |
|                             | 16 bits (@aa:16) | H'0000 to H'FFFF | H'000000 to H'007FFF,<br>H'FF8000 to H'FFFFFF |
|                             | 32 bits (@aa:32) |                  | H'000000 to H'FFFFFF                          |
| Program instruction address | 24 bits (@aa:24) |                  |   |

### 2.7.6 Immediate—#xx:8, #xx:16, or #xx:32

The 8-bit (#xx:8), 16-bit (#xx:16), or 32-bit (#xx:32) immediate data contained in a instruction code can be used directly as an operand.

The ADDS, SUBS, INC, and DEC instructions implicitly contain immediate data in their instruction codes. Some bit manipulation instructions contain 3-bit immediate data in the instruction code, specifying a bit number. The TRAPA instruction contains 2-bit immediate data in its instruction code, specifying a vector address.



### 2.7.7 Program-Counter Relative—@(**d**:8, PC) or @(**d**:16, PC)

This mode can be used by the Bcc and BSR instructions. An 8-bit or 16-bit displacement contained in the instruction code is sign-extended to 24 bits and added to the 24-bit address indicated by the PC value to generate a 24-bit branch address. Only the lower 24 bits of this branch address are valid; the upper 8 bits are all assumed to be 0 (H'00). The PC value to which the displacement is added is the address of the first byte of the next instruction, so the possible branching range is  $-126$  to  $+128$  bytes ( $-63$  to  $+64$  words) or  $-32766$  to  $+32768$  bytes ( $-16383$  to  $+16384$  words) from the branch instruction. The resulting value should be an even number.

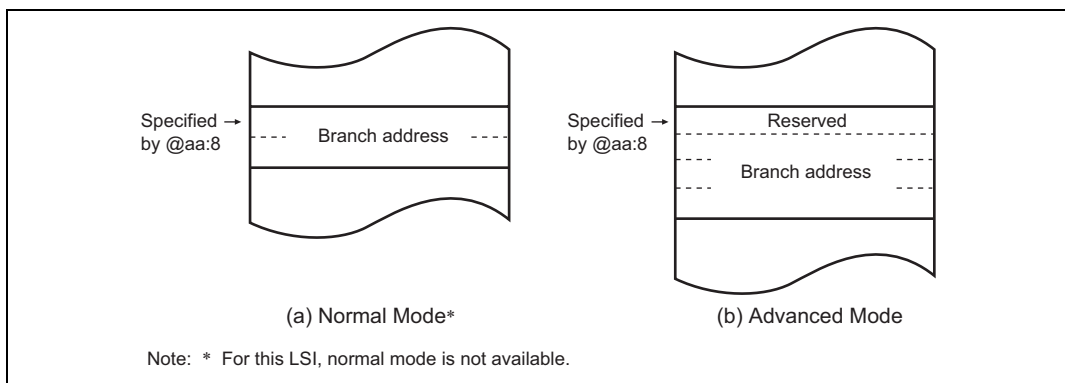
### 2.7.8 Memory Indirect—@@**aa**:8

This mode can be used by the JMP and JSR instructions. The instruction code contains an 8-bit absolute address specifying a memory operand which contains a branch address. The upper bits of the 8-bit absolute address are all assumed to be 0, so the address range is 0 to 255 (H'0000 to H'00FF in normal mode, H'000000 to H'0000FF in advanced mode).

In normal mode, the memory operand is a word operand and the branch address is 16 bits long. In advanced mode, the memory operand is a longword operand, the first byte of which is assumed to be 0 (H'00).

Note that the top area of the address range in which the branch address is stored is also used for the exception vector area. For further details, refer to section 4, Exception Handling.

If an odd address is specified in word or longword memory access, or as a branch address, the least significant bit is regarded as 0, causing data to be accessed or the instruction code to be fetched at the address preceding the specified address. (For further information, see section 2.5.2, Memory Data Formats.)

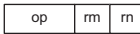

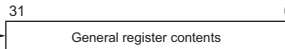

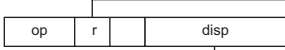
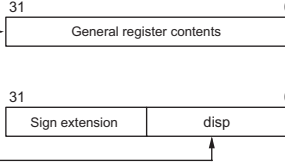
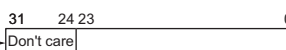
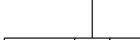
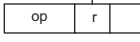
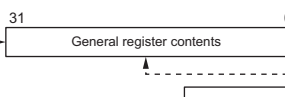
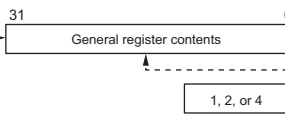

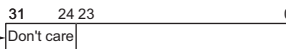




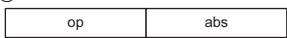
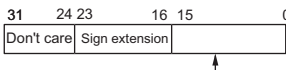


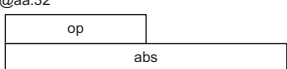



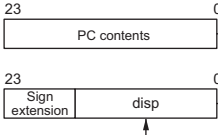
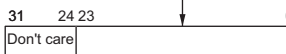

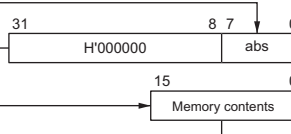
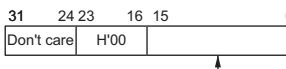

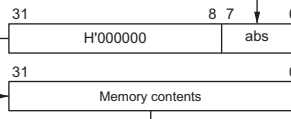

**Figure 2.12 Branch Address Specification in Memory Indirect Addressing Mode**

## 2.7.9 Effective Address Calculation

Table 2.13 indicates how effective addresses are calculated in each addressing mode. In normal mode, the upper 8 bits of the effective address are ignored in order to generate a 16-bit address.

**Table 2.13 Effective Address Calculation**

| No           | Addressing Mode and Instruction Format  | Effective Address Calculation   | Effective Address (EA)   |        |      |   |      |   |          |   |  |
|--------------|---|---|--|--------|------|---|------|---|----------|---|--|
| 1            | Register direct (Rn)<br>   |   | Operand is general register contents.  |        |      |   |      |   |          |   |  |
| 2            | Register indirect (@ERn)<br>   |    |  |        |      |   |      |   |          |   |  |
| 3            | Register indirect with displacement<br>@d:(d:16,ERn) or @:(d:32,ERn)<br>   |    |  |        |      |   |      |   |          |   |  |
| 4            | Register indirect with post-increment or pre-decrement<br>• Register indirect with post-increment @ERn+<br><br>• Register indirect with pre-decrement @-ERn<br> | <br><br><table border="1" data-bbox="457 981 698 1061"> <thead> <tr> <th>Operand Size</th> <th>Offset</th> </tr> </thead> <tbody> <tr> <td>Byte</td> <td>1</td> </tr> <tr> <td>Word</td> <td>2</td> </tr> <tr> <td>Longword</td> <td>4</td> </tr> </tbody> </table> | Operand Size   | Offset | Byte | 1 | Word | 2 | Longword | 4 | <br> |
| Operand Size | Offset  |   |  |        |      |   |      |   |          |   |  |
| Byte         | 1   |   |  |        |      |   |      |   |          |   |  |
| Word         | 2   |   |  |        |      |   |      |   |          |   |  |
| Longword     | 4   |   |  |        |      |   |      |   |          |   |  |

| No | Addressing Mode and Instruction Format  | Effective Address Calculation   | Effective Address (EA)   |
|----|---|---|--|
| 5  | Absolute address<br>@aa:8<br>                        |   |    |
|    | @aa:16<br>   |   |    |
|    | @aa:24<br>   |   |    |
|    | @aa:32<br>   |   |    |
| 6  | Immediate<br>#xx:8/#xx:16/#xx:32<br>                 |   | Operand is immediate data.   |
| 7  | Program-counter relative<br>@(d:8,PC)/@(d:16,PC)<br> |    |    |
| 8  | Memory indirect @aa:8<br>• Normal mode*<br>         |   |  |
|    | • Advanced mode<br>                                |  |  |

Note: \* For this LSI, normal mode is not available.

## 2.8 Processing States

The H8S/2000 CPU has five main processing states: the reset state, exception handling state, program execution state, bus-released state, and program stop state. Figure 2.13 indicates the state transitions.

- Reset state

In this state the CPU and internal peripheral modules are all initialized and stopped. When the  $\overline{\text{RES}}$  input goes low, all current processing stops and the CPU enters the reset state. All interrupts are masked in the reset state. Reset exception handling starts when the  $\overline{\text{RES}}$  signal changes from low to high. For details, refer to section 4, Exception Handling.

The reset state can also be entered by a watchdog timer overflow.

- Exception-handling state

The exception-handling state is a transient state that occurs when the CPU alters the normal processing flow due to an exception source, such as, a reset, trace, interrupt, or trap instruction. The CPU fetches a start address (vector) from the exception vector table and branches to that address. For further details, refer to section 4, Exception Handling.

- Program execution state

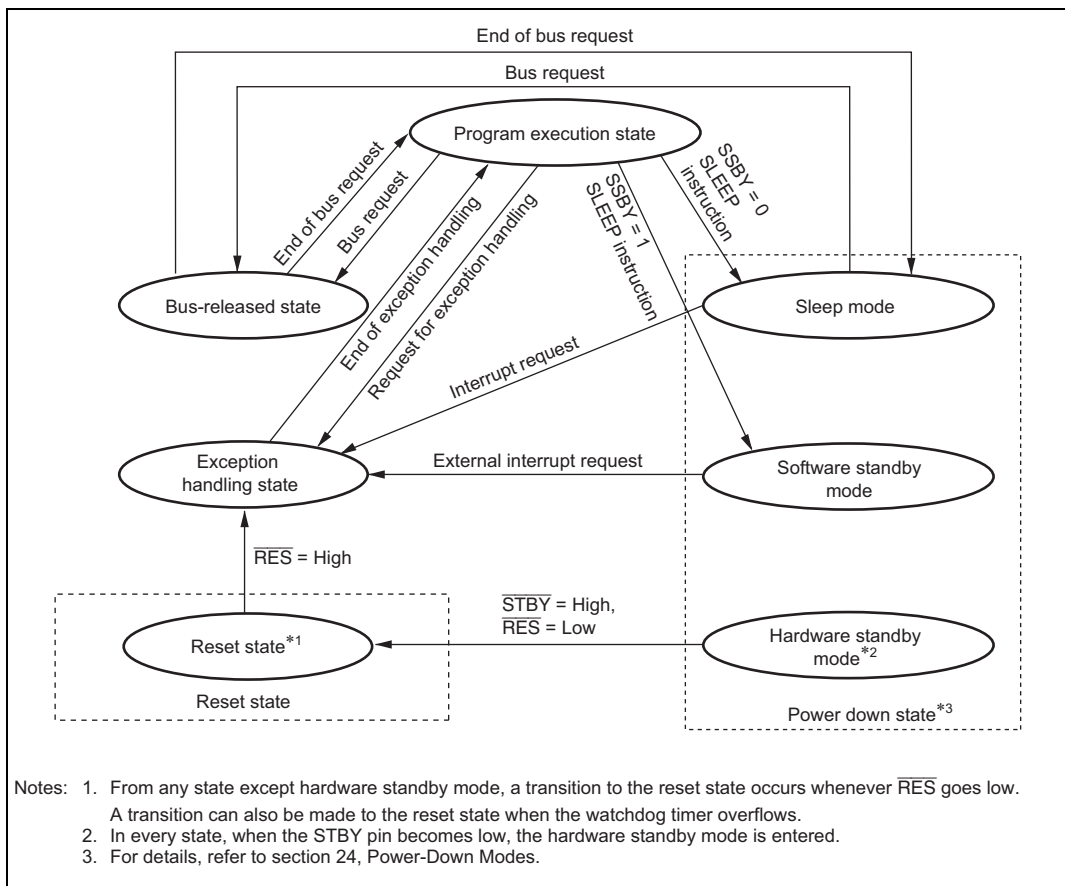
In this state the CPU executes program instructions in sequence.

- Bus-released state

In a product which has a DMA controller and a data transfer controller (DTC), the bus-released state occurs when the bus has been released in response to a bus request from a bus master other than the CPU. While the bus is released, the CPU halts operations.

- Program stop state

This is a power-down state in which the CPU stops operating. The program stop state occurs when a SLEEP instruction is executed or the CPU enters hardware standby mode. For details, refer to section 24, Power-Down Modes.



- Notes:
1. From any state except hardware standby mode, a transition to the reset state occurs whenever  $\overline{RES}$  goes low. A transition can also be made to the reset state when the watchdog timer overflows.
  2. In every state, when the STBY pin becomes low, the hardware standby mode is entered.
  3. For details, refer to section 24, Power-Down Modes.

**Figure 2.13 State Transitions**

## 2.9 Usage Note

### 2.9.1 Note on Bit Manipulation Instructions

Bit manipulation instructions such as BSET, BCLR, BNOT, BST, and BIST read data in byte units, perform bit manipulation, and write data in byte units. Thus, care must be taken when these bit manipulation instructions are executed for a register or port including write-only bits.

In addition, the BCLR instruction can be used to clear the flag of an internal I/O register. In this case, if the flag to be cleared has been set by an interrupt processing routine, the flag need not be read before executing the BCLR instruction.



## Section 3 MCU Operating Modes

### 3.1 Operating Mode Selection

The H8S/2378 0.18 $\mu$ m F-ZTAT Group and H8S/2378R 0.18 $\mu$ m F-ZTAT Group have six operating modes (modes 1 to 5 and 7). The H8S/2377 and H8S/2377R have five operating modes (modes 1 to 4 and 7). The H8S/2375 and H8S/2375R has four operating modes (modes 1, 2, 4, and 7). The H8S/2373 and H8S/2373R has two operating modes (modes 1 and 2). The operating mode is selected by the setting of mode pins (MD2 to MD0).

Modes 1, 2, and 4 are externally expanded modes in which the CPU can access an external memory and peripheral devices. In the externally expanded mode, each area can be switched to 8-bit or 16-bit address space by the bus controller. If any one of the areas is set to 16-bit address space, the bus mode is 16 bits. If all areas are set to 8-bit address space, the bus mode is 8 bits.

Mode 7 is a single-chip activation externally expanded mode in which the CPU can switch to access an external memory and peripheral devices at the beginning of a program execution.

Mode 3 is a boot mode in which the flash memory can be programmed or erased. For details of the boot mode, refer to section 21, Flash Memory (0.18- $\mu$ m F-ZTAT Version), or section 20, Flash Memory (0.35- $\mu$ m F-ZTAT Version).

The settings for pins MD2 to MD0 should not be changed during operation.

**Table 3.1 MCU Operating Mode Selection**

| MCU Operating Mode | MD2 | MD1 | MD0 | CPU Operating Mode | Description                             | On-Chip ROM | External Data Bus |            |
|--------------------|-----|-----|-----|--------------------|---|-------------|-------------------|------------|
|                    |     |     |     |                    |   |             | Initial Width     | Max. Value |
| 1* <sup>1</sup>    | 0   | 0   | 1   | Advanced           | Expanded mode with on-chip ROM disabled | Disabled    | 16 bits           | 16 bits    |
| 2* <sup>1</sup>    | 0   | 1   | 0   | Advanced           | Expanded mode with on-chip ROM disabled | Disabled    | 8 bits            | 16 bits    |
| 3                  | 0   | 1   | 1   | Advanced           | Boot mode                               | Enabled     | —                 | 16 bits    |
| 4                  | 1   | 0   | 0   | Advanced           | Expanded mode with on-chip ROM enabled  | Enabled     | 8 bits            | 16 bits    |
| 5* <sup>2</sup>    | 1   | 0   | 1   | Advanced           | User boot mode                          | Enabled     | —                 | 16 bits    |
| 7                  | 1   | 1   | 1   | Advanced           | Single-chip mode                        | Enabled     | —                 | 16 bits    |

Notes: 1. Only modes 1 and 2 may be used on ROM-less versions.

2. Available only for the H8S/2378 0.18 $\mu$ m F-ZTAT Group and H8S/2378R 0.18 $\mu$ m F-ZTAT Group.

## 3.2 Register Descriptions

The following registers are related to the operating mode.

- Mode control register (MDCR)
- System control register (SYSCR)

### 3.2.1 Mode Control Register (MDCR)

MDCR monitors the current operating mode of this LSI.

| Bit       | Bit Name | Initial Value | R/W | Descriptions  |
|-----------|----------|---------------|-----|---|
| 7 to<br>3 | —        | All 0         | —   | Reserved<br>These bits are always read as 0 and cannot be modified.   |
| 2         | MDS2     | —*            | R   | Mode Select 2 to 0  |
| 1         | MDS1     | —*            | R   | These bits indicate the input levels at pins MD2 to MD0 (the current operating mode). Bits MDS2 to MDS0 correspond to MD2 to MD0. MDS2 to MDS0 are read-only bits and they cannot be modified. The mode pin (MD2 to MD0) input levels are latched into these bits when MDCR is read. These latches are canceled by a reset. |
| 0         | MDS0     | —*            | R   |   |

Note: \* Determined by pins MD2 to MD0.

### 3.2.2 System Control Register (SYSCR)

SYSCR controls CPU access to the flash memory control registers, sets external bus mode, and enables or disables on-chip RAM.



- H8S/2378 0.18μm F-ZTAT Group and H8S/2378R 0.18μm F-ZTAT Group

| Bit  | Bit Name | Initial Value | R/W | Descriptions   |
|------|----------|---------------|-----|--|
| 7, 6 | —        | All 1         | R/W | Reserved<br>The initial value should not be modified.  |
| 5, 4 | —        | All 0         | R/W | Reserved<br>The initial value should not be modified.  |
| 3    | FLSHE    | 0             | R/W | Flash Memory Control Register Enable<br>Controls CPU access to the flash memory control registers. If this bit is set to 1, the flash memory control registers can be read from and written to. If this bit is cleared to 0, the flash memory control registers are not selected. At this time, the contents of the flash memory control registers are maintained. This bit should be written to 0 in other than flash memory version.<br>0: Flash memory control registers are not selected for area H'FFFFC4 to H'FFFFCF<br>1: Flash memory control registers are selected for area H'FFFFC4 to H'FFFFCF |
| 2    | —        | 0             | —   | Reserved<br>This bit is always read as 0 and cannot be modified.   |
| 1    | EXPE     | —             | R/W | External Bus Mode Enable<br>Sets external bus mode.<br>In modes 1, 2, and 4, this bit is fixed at 1 and cannot be modified. In modes 3, 5, and 7, this bit can be read from and written to.<br>Writing of 0 to this bit when its value is 1 should only be carried out when an external bus cycle is not being executed.<br>0: External bus disabled<br>1: External bus enabled  |
| 0    | RAME     | 1             | R/W | RAM Enable<br>Enables or disables the on-chip RAM. The RAME bit is initialized when the reset state is released.<br>0: On-chip RAM is disabled<br>1: On-chip RAM is enabled  |

- H8S/2377, H8S/2377R, H8S/2375, H8S/2375R, H8S/2373, and H8S/2373R

| Bit  | Bit Name | Initial Value | R/W | Descriptions  |
|------|----------|---------------|-----|---|
| 7, 6 | —        | All 1         | R/W | Reserved<br>The initial value should not be modified.   |
| 5, 4 | —        | All 0         | R/W | Reserved<br>The initial value should not be modified.   |
| 3    | FLSHE    | 0             | R/W | Flash Memory Control Register Enable<br>Controls CPU access to the flash memory control registers (FLMCR1, FLMCR2, EBR1, and EBR2). If this bit is set to 1, the flash memory control registers can be read from and written to. If this bit is cleared to 0, the flash memory control registers are not selected. At this time, the contents of the flash memory control registers are maintained. This bit should be written to 0 in other than flash memory version.<br>0: Flash memory control registers are not selected for area H'FFFFC8 to H'FFFFCB<br>1: Flash memory control registers are selected for area H'FFFFC8 to H'FFFFCB |
| 2    | —        | 0             | —   | Reserved<br>This bit is always read as 0 and cannot be modified.  |
| 1    | EXPE     | —             | R/W | External Bus Mode Enable<br>Sets external bus mode.<br>In modes 1, 2, and 4, this bit is fixed at 1 and cannot be modified. In modes 3 and 7, this bit can be read from and written to.<br>Writing of 0 to this bit when its value is 1 should only be carried out when an external bus cycle is not being executed.<br>0: External bus disabled<br>1: External bus enabled   |
| 0    | RAME     | 1             | R/W | RAM Enable<br>Enables or disables the on-chip RAM. The RAME bit is initialized when the reset state is released.<br>0: On-chip RAM is disabled<br>1: On-chip RAM is enabled   |

## 3.3 Operating Mode Descriptions

### 3.3.1 Mode 1

The CPU can access a 16-Mbyte address space in advanced mode. The on-chip ROM is disabled. Ports A, B, and C function as an address bus, ports D and E function as a data bus, and parts of ports F and G carry bus control signals.

The initial bus mode after a reset is 16 bits, with 16-bit access to all areas. However, if 8-bit access is designated for all areas by the bus controller, the bus mode switches to 8 bits.

### 3.3.2 Mode 2

The CPU can access a 16-Mbyte address space in advanced mode. The on-chip ROM is disabled. Ports A, B, and C function as an address bus, ports D and E function as a data bus, and parts of ports F and G carry bus control signals.

The initial bus mode after a reset is 8 bits, with 8-bit access to all areas. However, if 16-bit access is designated for any one of the areas by the bus controller, the bus mode switches to 16 bits and port E functions as a data bus.

### 3.3.3 Mode 3

This mode is a boot mode of the flash memory. This mode is the same as mode 7, except for the programming and erasure on the flash memory. Mode 3 is only available in the flash memory version.

### 3.3.4 Mode 4

The CPU can access a 16-Mbyte address space in advanced mode. The on-chip ROM is enabled. The program in the on-chip ROM connected to the first half of area 0 is executed.

Ports A, B, and C function as input ports immediately after a reset, but can be set to function as an address bus depending on each port register setting. Ports D functions as a data bus, and parts of ports F and G carry bus control signals. For details, see section 10, I/O Ports.

The initial bus mode after a reset is 8 bits, with 8-bit access to all areas. However, if 16-bit access is designated for any area by the bus controller, the bus mode switches to 16 bits and port E functions as a data bus.

In the flash memory version, user program mode is entered by setting the SWE bit of FLMCR1 to 1.

### 3.3.5 Mode 5

This mode is a user boot mode of the flash memory. This mode is the same as mode 7, except for the programming and erasure on the flash memory. Mode 5 is only available in the H8S/2378 0.18 $\mu$ m F-ZTAT Group and H8S/2378R 0.18 $\mu$ m F-ZTAT Group.

### 3.3.6 Mode 7

The CPU can access a 16-Mbyte address space in advanced mode. The on-chip ROM is enabled, and the chip starts up in single-chip mode. External address space cannot be used in single-chip mode.

The initial mode after a reset is single-chip mode, with all I/O ports available for use as input/output ports. However, the mode can be switched to externally expanded mode by setting 1 to the EXPE bit of SYSCR and then the external address space is enabled. When externally expanded mode is selected, all areas are initially designated as 16-bit access space. The functions of pins in ports A to G are the same as in externally expanded mode with on-chip ROM enabled.

In the flash memory version, user program mode is entered by setting the SWE bit of FLMCR1 to 1.

### 3.3.7 Pin Functions

Table 3.2 shows the pin functions in each operating mode.

**Table 3.2 Pin Functions in Each Operating Mode**

| Port   |            | Mode 1 | Mode 2 | Mode 3 | Mode 4 | Mode 5 | Mode 7 |
|--------|------------|--------|--------|--------|--------|--------|--------|
| Port A | PA7 to PA5 | P*/A   | P*/A   | P*/A   | P*/A   | P*/A   | P*/A   |
|        | PA4 to PA0 | A      | A      |        |        |        |        |
| Port B |            | A      | A      | P*/A   | P*/A   | P*/A   | P*/A   |
| Port C |            | A      | A      | P*/A   | P*/A   | P*/A   | P*/A   |
| Port D |            | D      | D      | P*/D   | D      | P*/D   | P*/D   |
| Port E |            | P/D*   | P*/D   | P*/D   | P*/D   | P*/D   | P*/D   |
| Port F | PF7, PF6   | P/C*   | P/C*   | P*/C   | P/C*   | P*/C   | P*/C   |
|        | PF5, PF4   | C      | C      |        | C      |        |        |
|        | PF3        | P/C*   | P/C*   |        | P/C*   |        |        |
|        | PF2 to PF0 | P*/C   | P*/C   |        | P*/C   |        |        |
| Port G | PG6 to PG1 | P*/C   | P*/C   | P*/C   | P*/C   | P*/C   | P*/C   |
|        | PG0        | P/C*   | P/C*   |        | P*/C   |        |        |

Legend: P: I/O port

A: Address bus output

D: Data bus input/output

C: Control signals, clock input/output

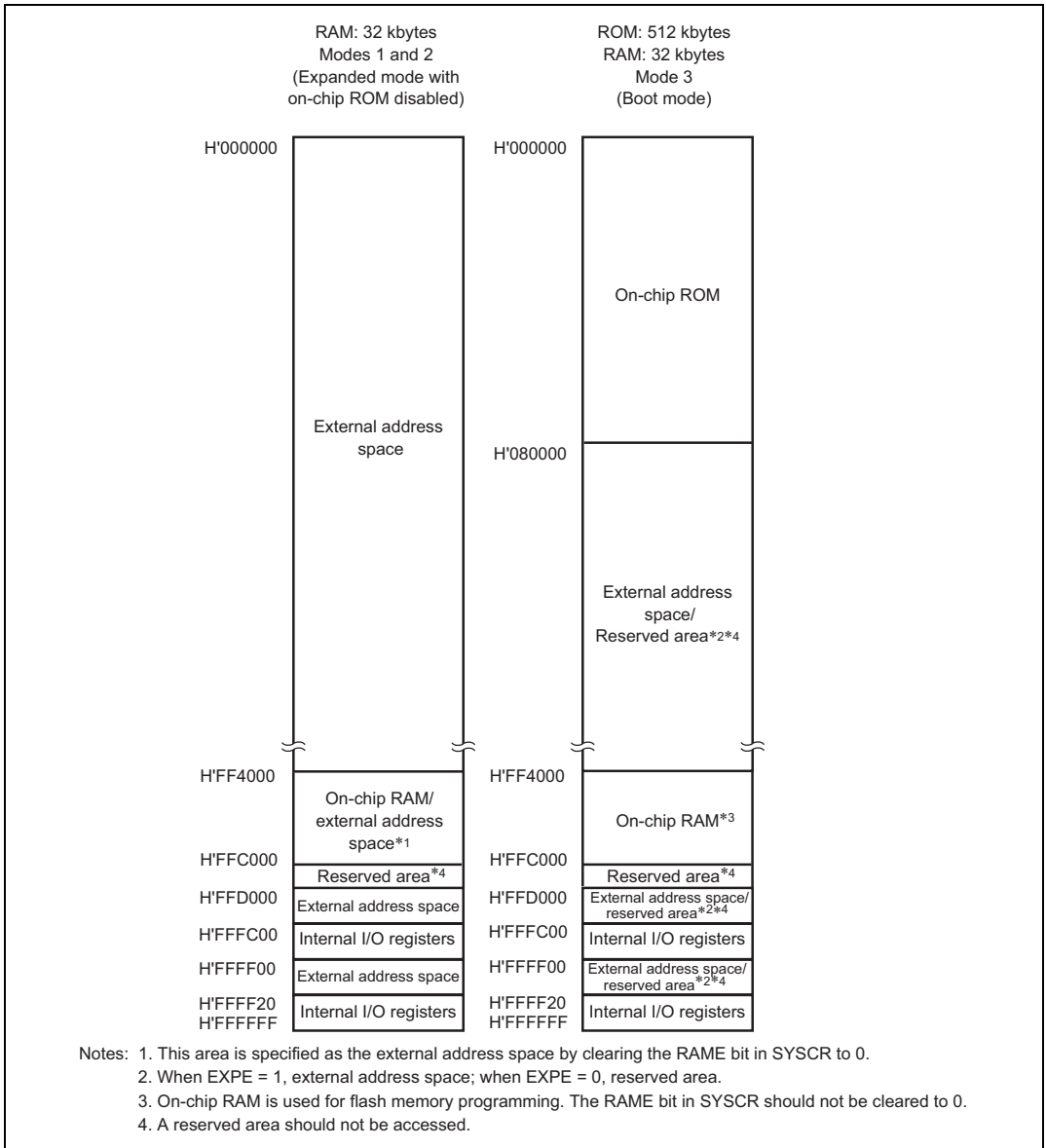
\*: After reset

Note: Mode 5 is available only for the H8S/2378 0.18μm F-ZTAT Group and H8S/2378R 0.18μm F-ZTAT Group.

Only modes 1 and 2 may be used on ROM-less versions.

### 3.4 Memory Map in Each Operating Mode

Figures 3.1 to 3.17 show memory maps for each product.



**Figure 3.1 Memory Map for H8S/2378 and H8S/2378R (1)**

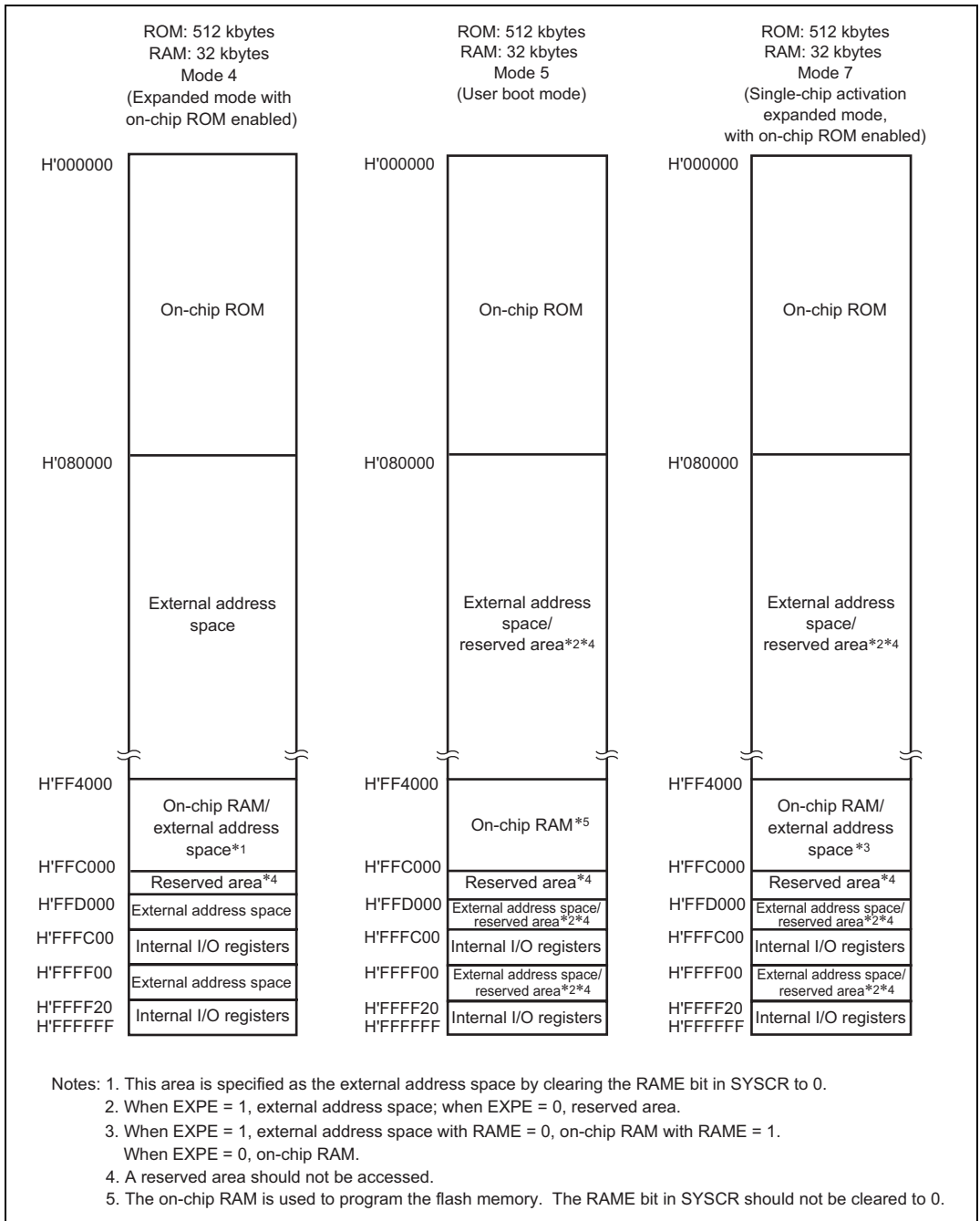


Figure 3.2 Memory Map for H8S/2378 and H8S/2378R (2)

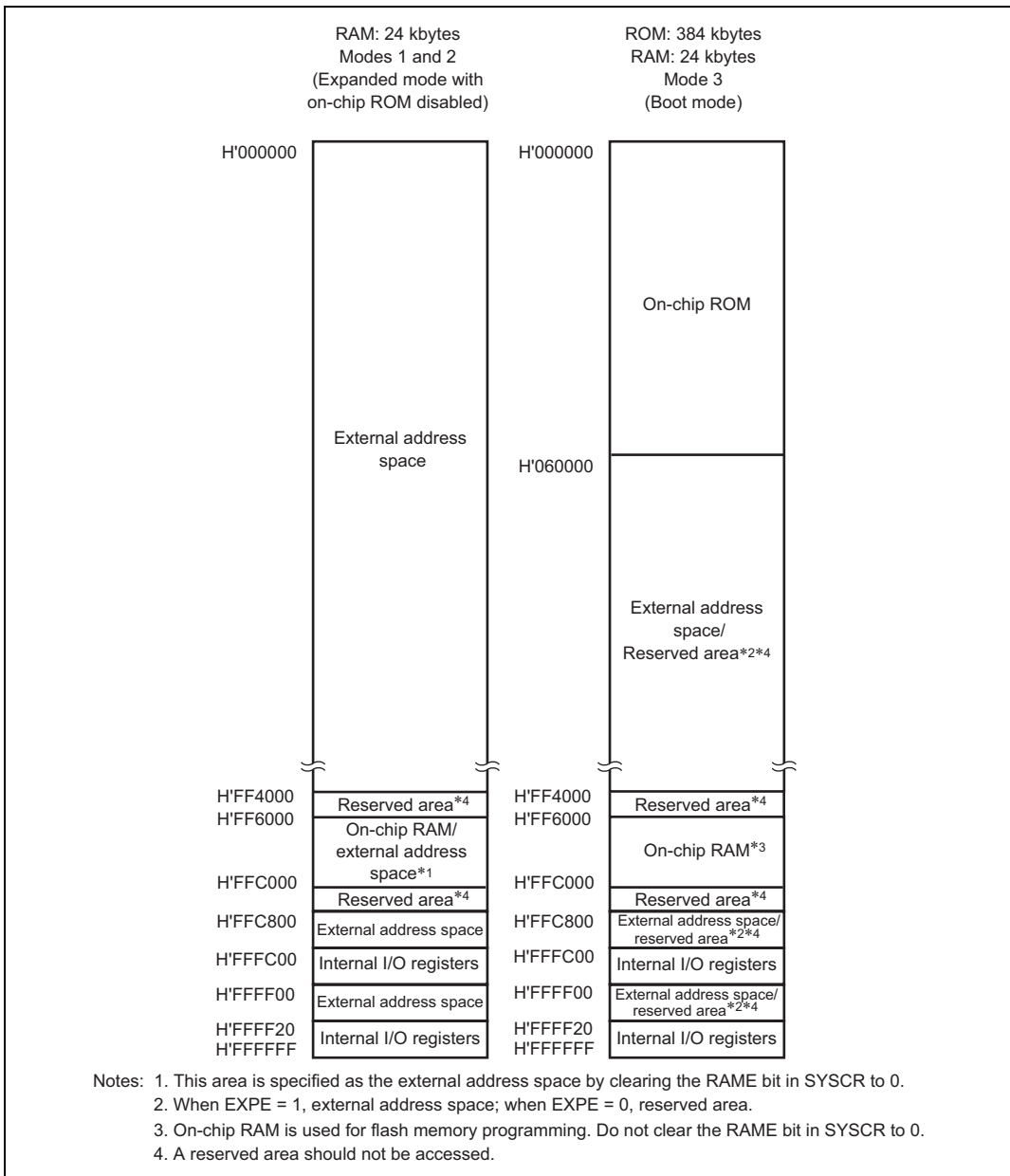
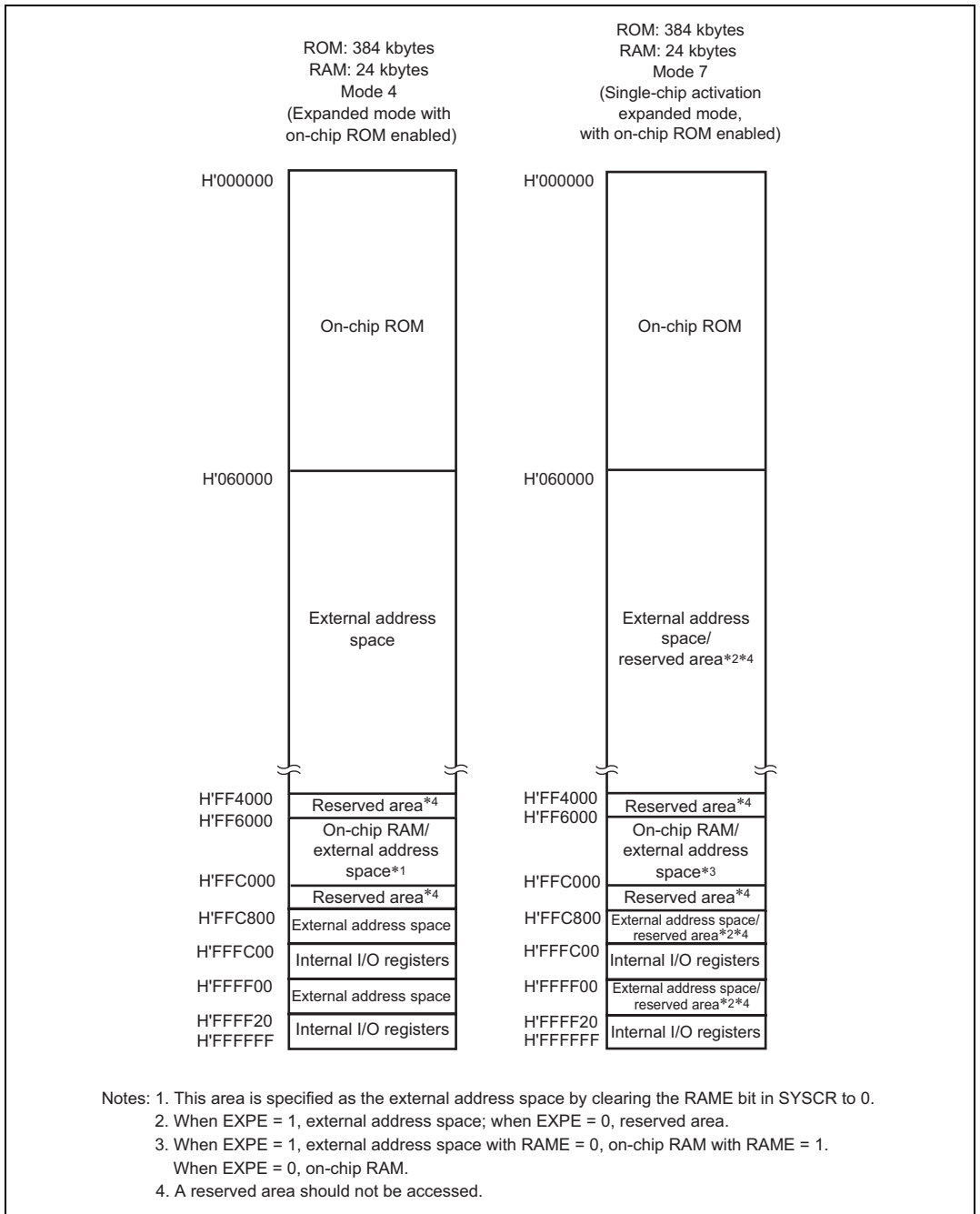
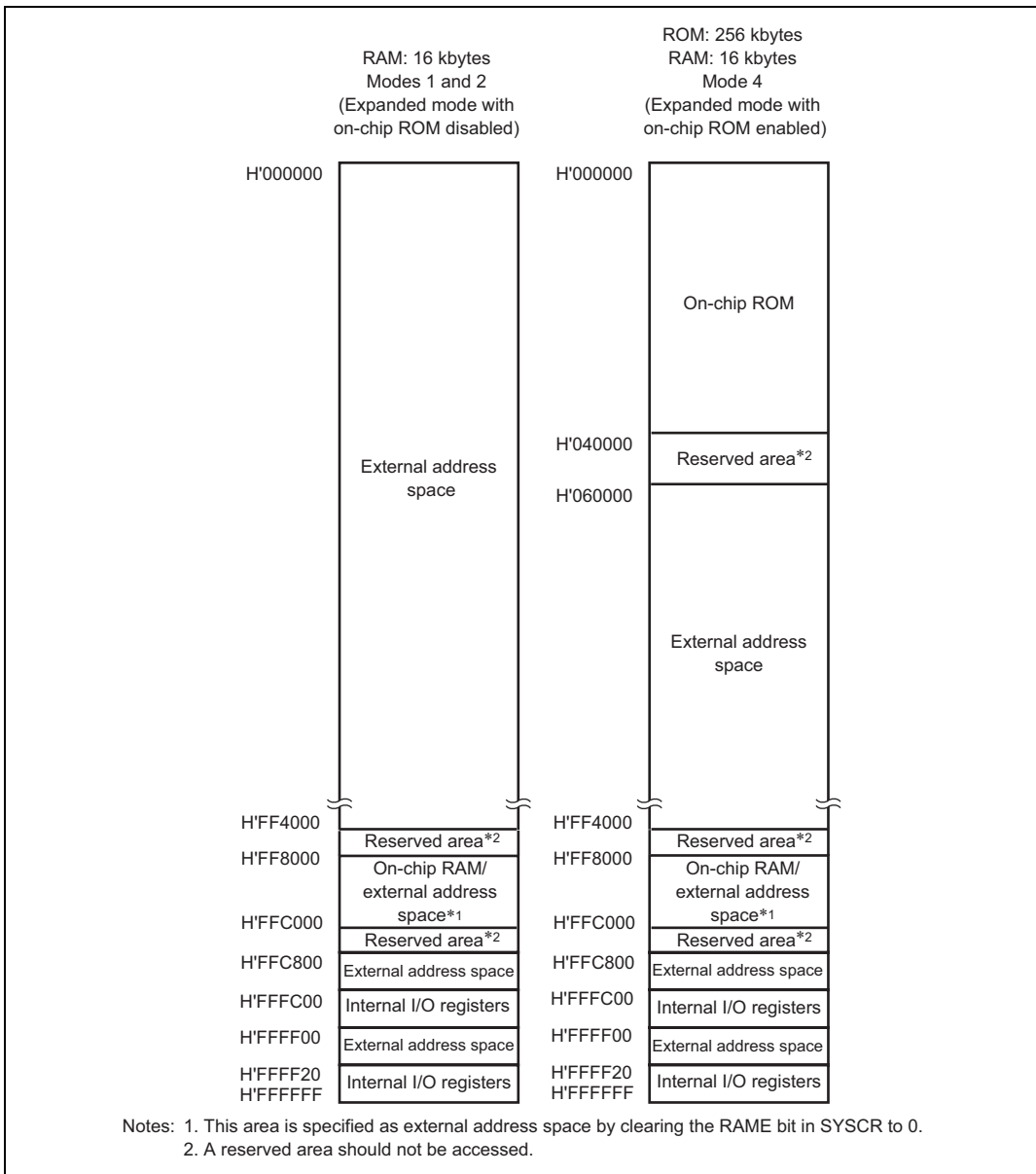


Figure 3.3 Memory Map for H8S/2377 and H8S/2377R (1)

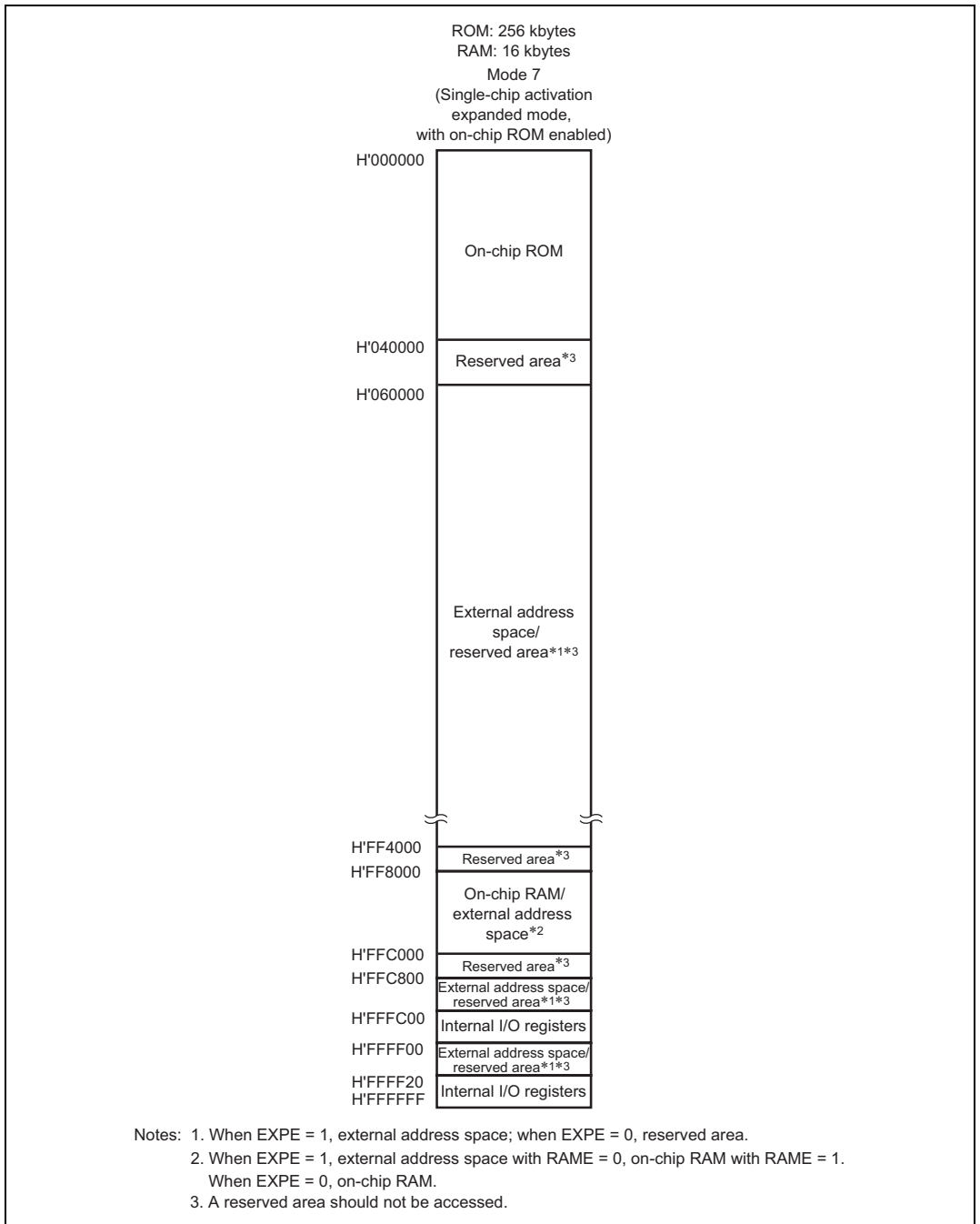




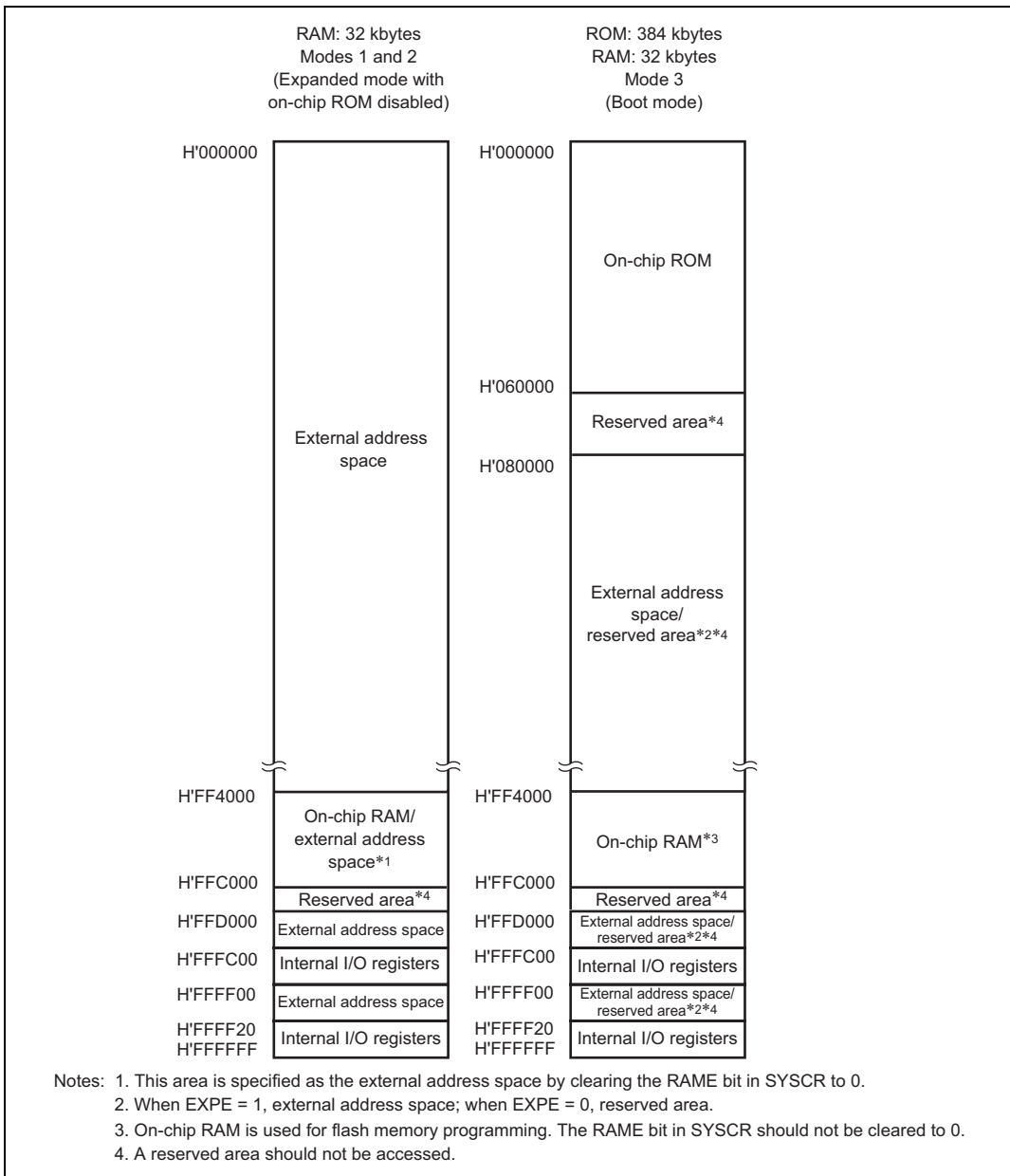
**Figure 3.4 Memory Map for H8S/2377 and H8S/2377R (2)**



**Figure 3.5 Memory Map for H8S/2375 and H8S/2375R (1)**



**Figure 3.6 Memory Map for H8S/2375 and H8S/2375R (2)**



**Figure 3.7 Memory Map for H8S/2374 and H8S/2374R (1)**

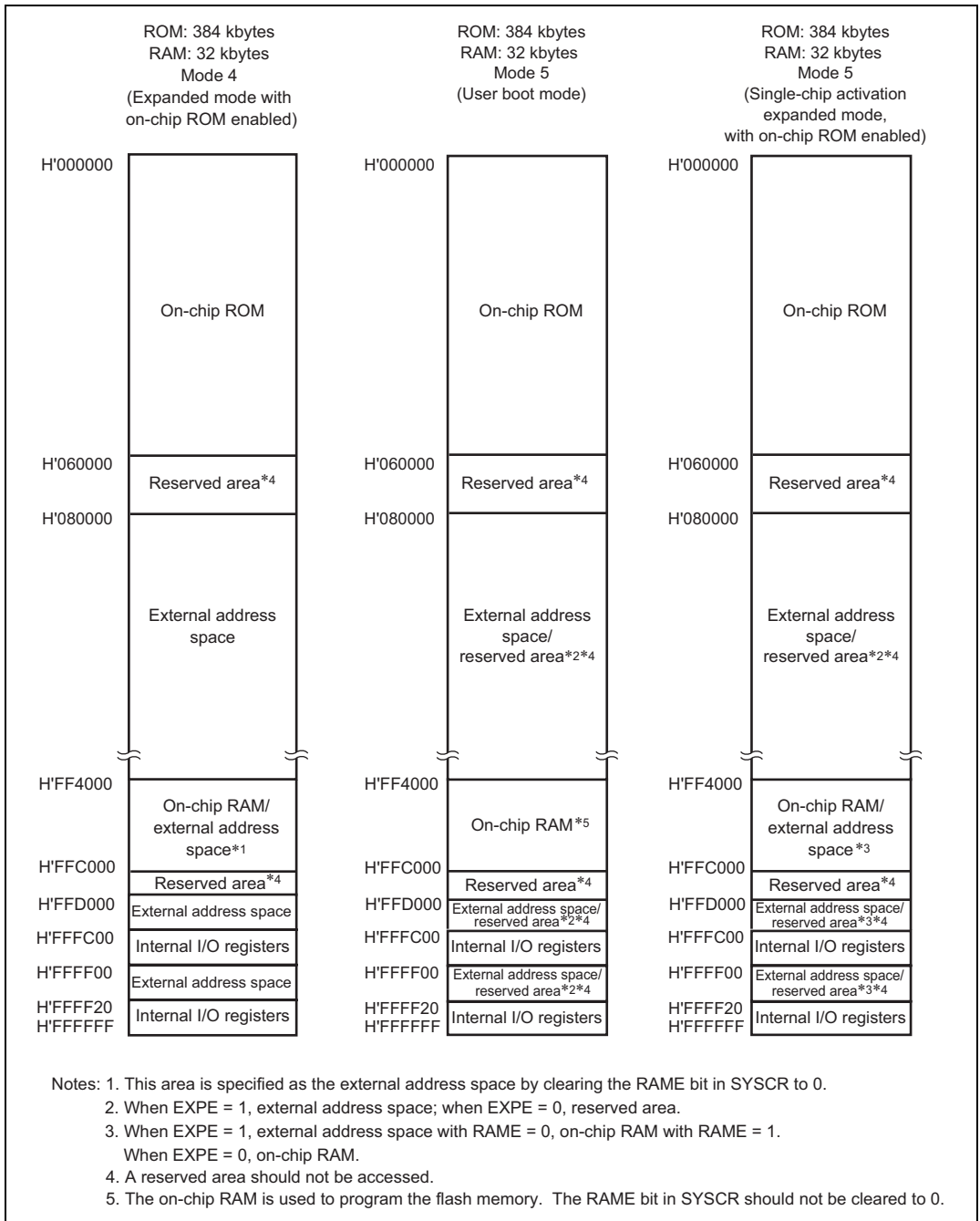
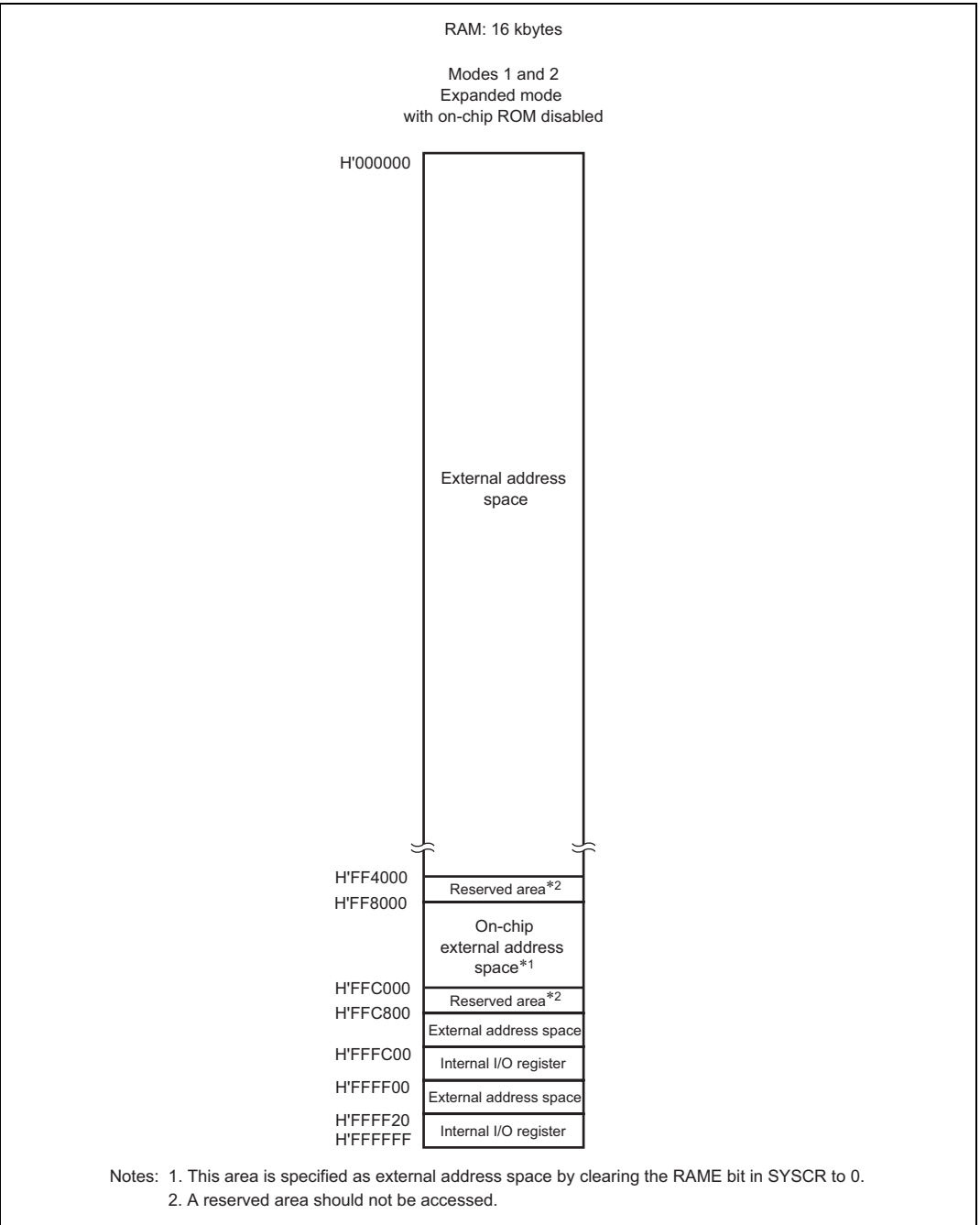
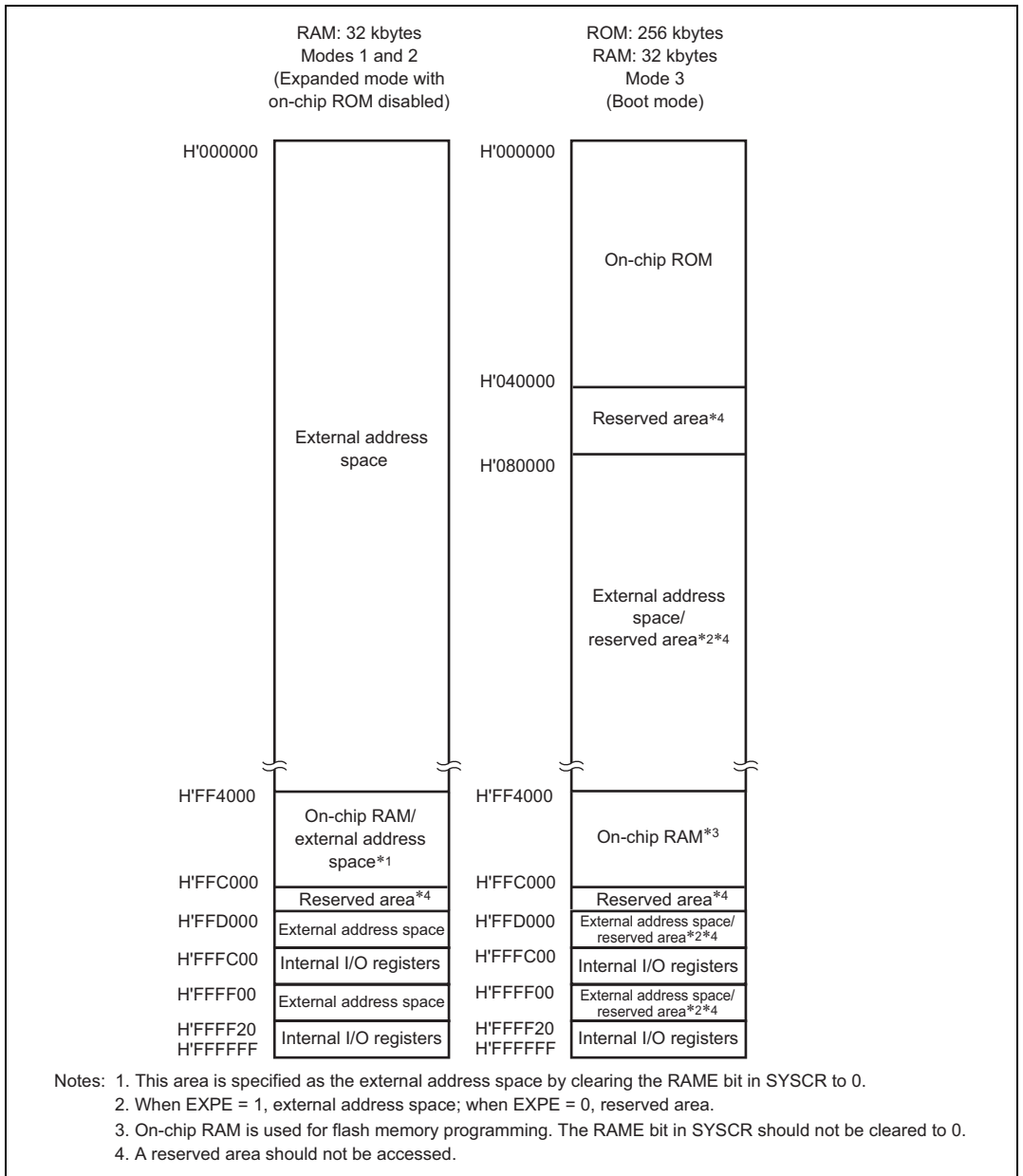


Figure 3.8 Memory Map for H8S/2374 and H8S/2374R (2)



**Figure 3.9 Memory Map for H8S/2373 and H8S/2373R**



**Figure 3.10 Memory Map for H8S/2372 and H8S/2372R (1)**

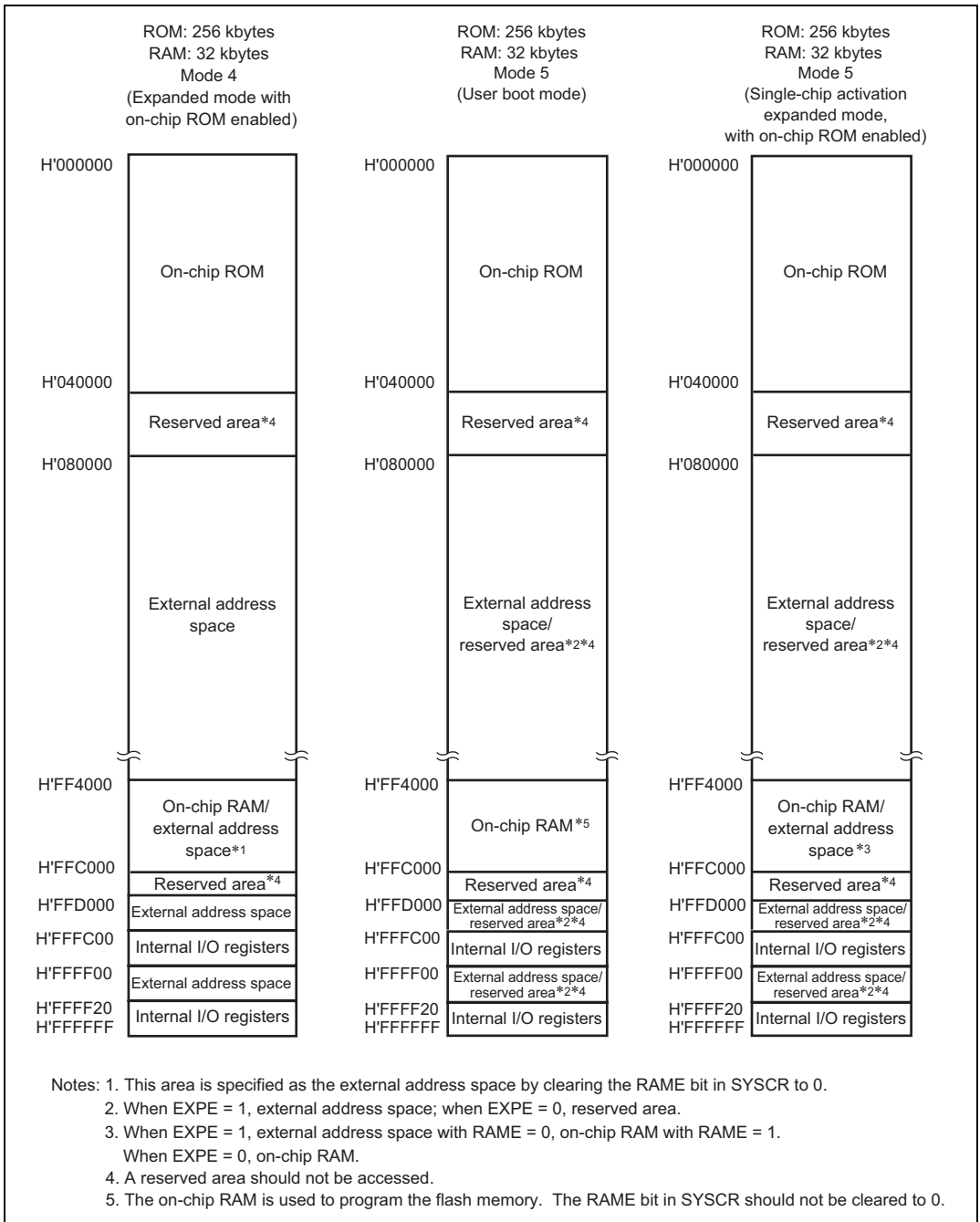


Figure 3.11 Memory Map for H8S/2372 and H8S/2372R (2)



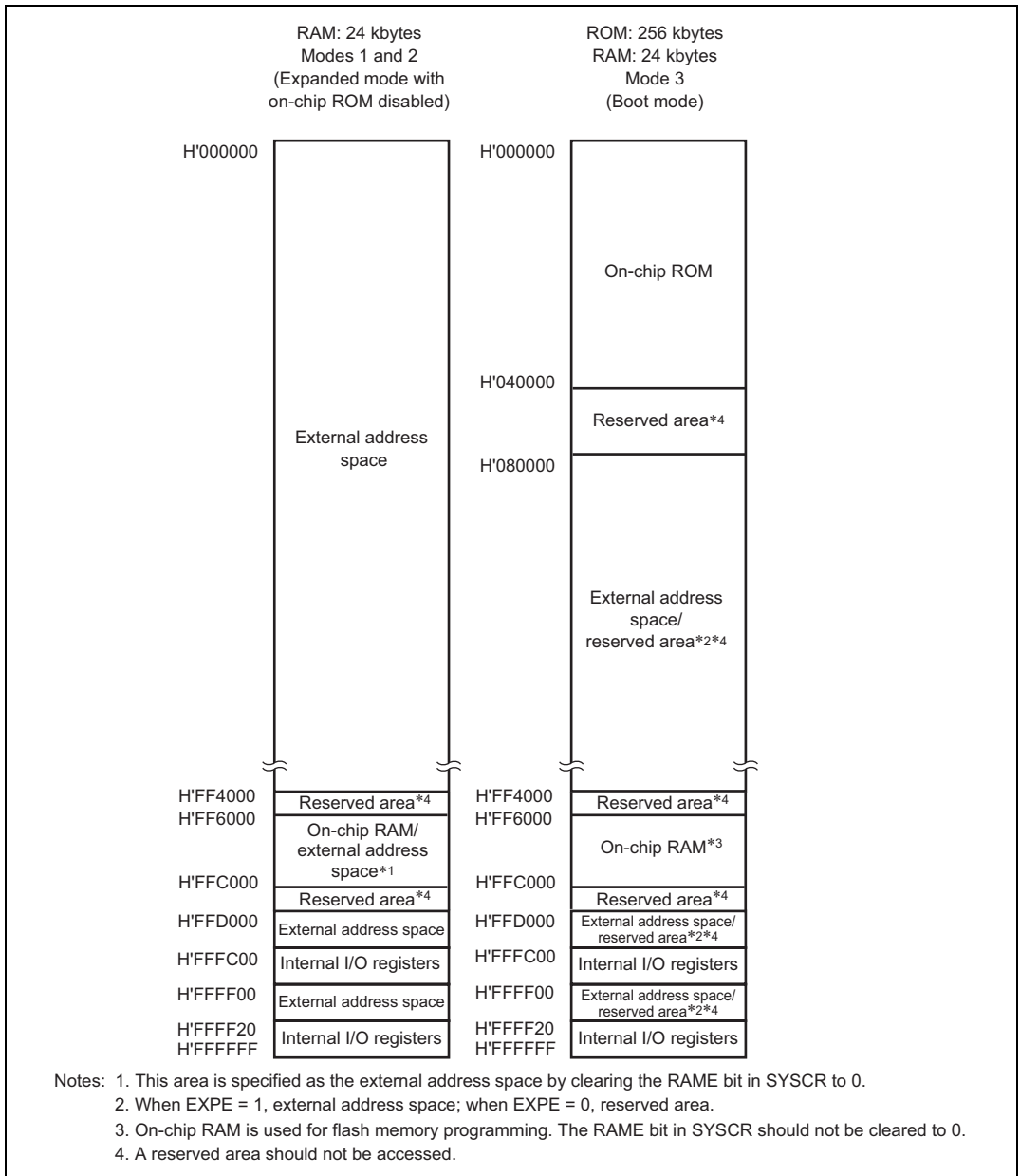


Figure 3.12 Memory Map for H8S/2371 and H8S/2371R (1)

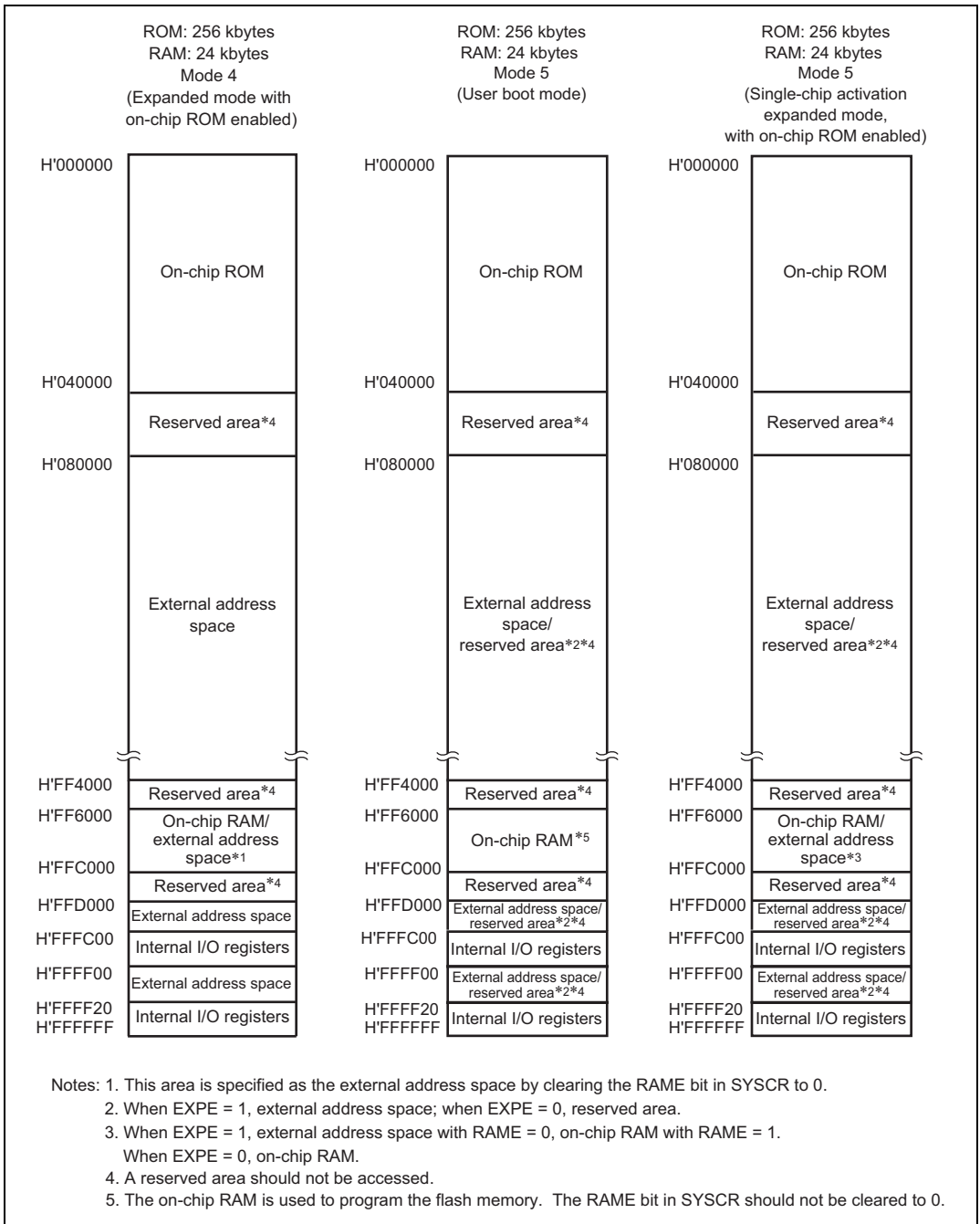


Figure 3.13 Memory Map for H8S/2371 and H8S/2371R (2)

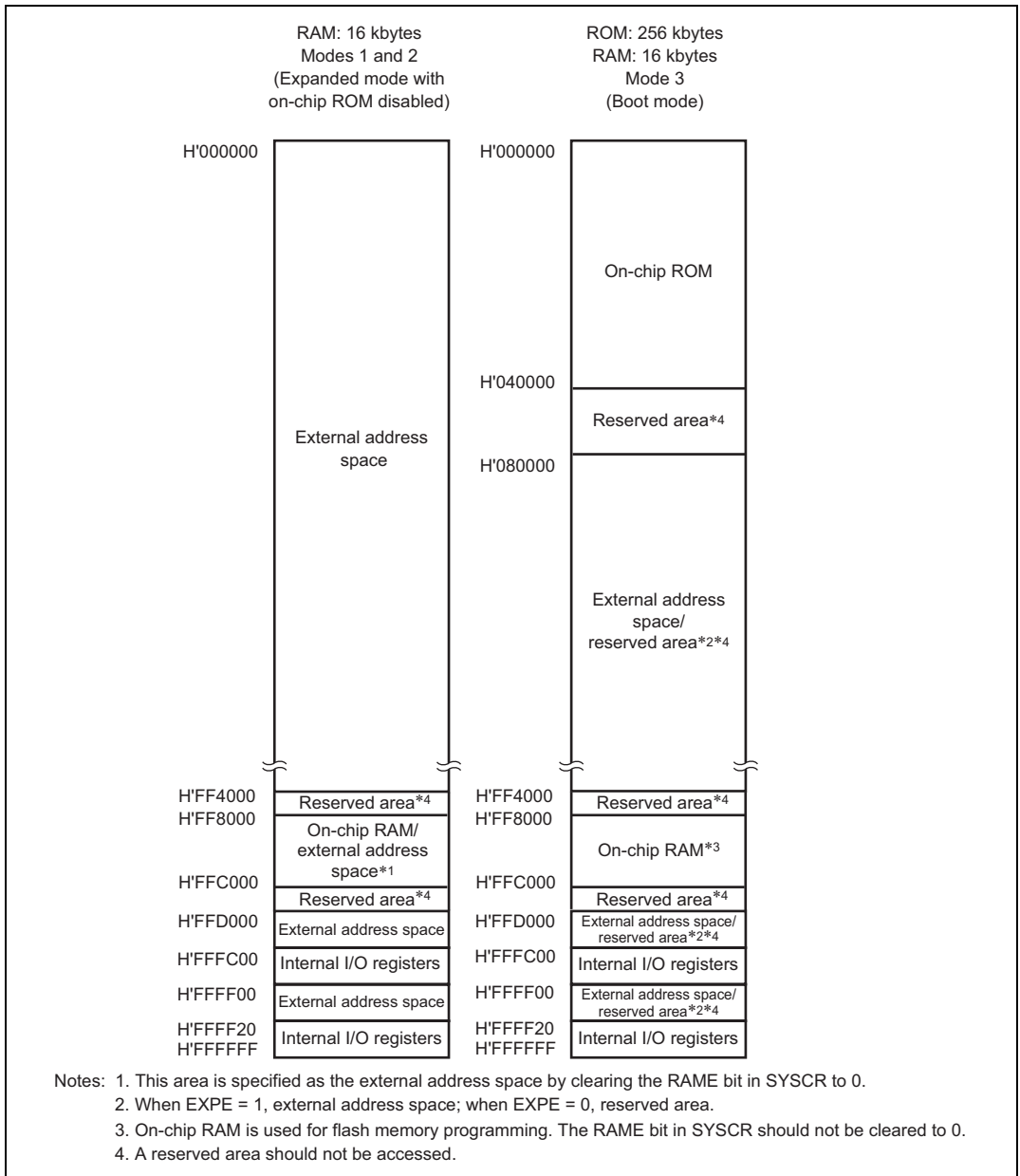


Figure 3.14 Memory Map for H8S/2370 and H8S/2370R (1)

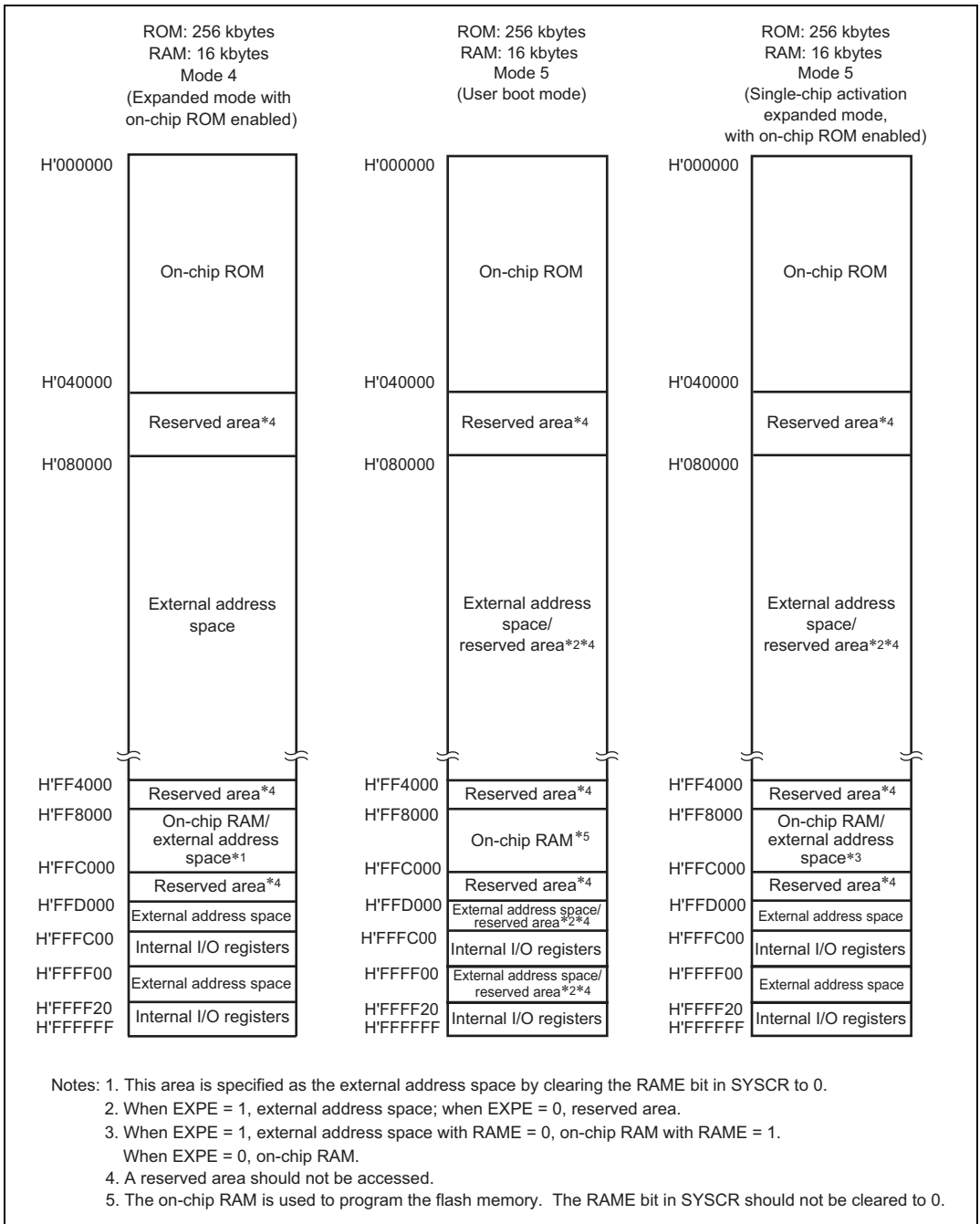


Figure 3.15 Memory Map for H8S/2370 and H8S/2370R (2)

## Section 4 Exception Handling

### 4.1 Exception Handling Types and Priority

As table 4.1 indicates, exception handling may be caused by a reset, trace, interrupt, or trap instruction. Exception handling is prioritized as shown in table 4.1. If two or more exceptions occur simultaneously, they are accepted and processed in order of priority. Exception sources, the stack structure, and operation of the CPU vary depending on the interrupt control mode. For details on the interrupt control mode, refer to section 5, Interrupt Controller.

**Table 4.1 Exception Types and Priority**

| Priority  | Exception Type                  | Start of Exception Handling   |
|-----------|---------------------------------|---|
| High<br>↑ | Reset                           | Starts immediately after a low-to-high transition at the $\overline{\text{RES}}$ pin, or when the watchdog timer overflows. The CPU enters the reset state when the RES pin is low. |
|           | Trace <sup>*1</sup>             | Starts when execution of the current instruction or exception handling ends, if the trace (T) bit in the EXR is set to 1.   |
|           | Direct transition <sup>*2</sup> | Starts when the direct transition occurs by execution of the SLEEP instruction.   |
|           | Interrupt                       | Starts when execution of the current instruction or exception handling ends, if an interrupt request has been issued. <sup>*3</sup>   |
| Low       | Trap instruction <sup>*4</sup>  | Started by execution of a trap instruction (TRAPA)  |

- Notes: 1. Traces are enabled only in interrupt control mode 2. Trace exception handling is not executed after execution of an RTE instruction.  
 2. Not available in this LSI.  
 3. Interrupt detection is not performed on completion of ANDC, ORC, XORC, or LDC instruction execution, or on completion of reset exception handling.  
 4. Trap instruction exception handling requests are accepted at all times in program execution state.

### 4.2 Exception Sources and Exception Vector Table

Different vector addresses are assigned to different exception sources. Table 4.2 lists the exception sources and their vector addresses. Since the usable modes differ depending on the product, for details on each product, refer to section 3, MCU Operating Modes.

Table 4.2 Exception Handling Vector Table

| Exception Source                            | Vector Number | Vector Address <sup>*1</sup> |                  |                  |
|---|---------------|------------------------------|------------------|------------------|
|   |               | Normal Mode <sup>*2</sup>    | Advanced Mode    |                  |
| Power-on reset                              | 0             | H'0000 to H'0001             | H'0000 to H'0003 |                  |
| Manual reset <sup>*3</sup>                  | 1             | H'0002 to H'0003             | H'0004 to H'0007 |                  |
| Reserved for system use                     | 2             | H'0004 to H'0005             | H'0008 to H'000B |                  |
|   | 3             | H'0006 to H'0007             | H'000C to H'000F |                  |
|   | 4             | H'0008 to H'0019             | H'0010 to H'0013 |                  |
| Trace                                       | 5             | H'000A to H'000B             | H'0014 to H'0017 |                  |
| Interrupt (direct transition) <sup>*3</sup> | 6             | H'000C to H'000D             | H'0018 to H'001B |                  |
| Interrupt (NMI)                             | 7             | H'000E to H'000F             | H'001C to H'001F |                  |
| Trap instruction (#0)                       | 8             | H'0010 to H'0011             | H'0020 to H'0023 |                  |
|   | (#1)          | 9                            | H'0012 to H'0013 | H'0024 to H'0027 |
|   | (#2)          | 10                           | H'0014 to H'0015 | H'0028 to H'002B |
|   | (#3)          | 11                           | H'0016 to H'0017 | H'002C to H'002F |
| Reserved for system use                     | 12            | H'0018 to H'0019             | H'0030 to H'0033 |                  |
|   | 13            | H'001A to H'001B             | H'0034 to H'0037 |                  |
|   | 14            | H'001C to H'001D             | H'0038 to H'003B |                  |
|   | 15            | H'001E to H'001F             | H'003C to H'003F |                  |
| External interrupt                          | IRQ0          | 16                           | H'0020 to H'0021 | H'0040 to H'0043 |
|   | IRQ1          | 17                           | H'0022 to H'0023 | H'0044 to H'0047 |
|   | IRQ2          | 18                           | H'0024 to H'0025 | H'0048 to H'004B |
|   | IRQ3          | 19                           | H'0026 to H'0027 | H'004C to H'004F |
|   | IRQ4          | 20                           | H'0028 to H'0029 | H'0050 to H'0053 |
|   | IRQ5          | 21                           | H'002A to H'002B | H'0054 to H'0057 |
|   | IRQ6          | 22                           | H'002C to H'002D | H'0058 to H'005B |
|   | IRQ7          | 23                           | H'002E to H'002F | H'005C to H'005F |
|   | IRQ8          | 24                           | H'0030 to H'0031 | H'0060 to H'0063 |
|   | IRQ9          | 25                           | H'0032 to H'0033 | H'0064 to H'0067 |
|   | IRQ10         | 26                           | H'0034 to H'0035 | H'0068 to H'006B |
|   | IRQ11         | 27                           | H'0036 to H'0037 | H'006C to H'006F |
| IRQ12                                       | 28            | H'0038 to H'0039             | H'0070 to H'0073 |                  |

| Exception Source                 | Vector Number | Vector Address* <sup>1</sup> |                  |                  |
|----------------------------------|---------------|------------------------------|------------------|------------------|
|                                  |               | Normal Mode* <sup>2</sup>    | Advanced Mode    |                  |
| External interrupt               | IRQ13         | 29                           | H'003A to H'003B | H'0074 to H'0077 |
|                                  | IRQ14         | 30                           | H'003C to H'003D | H'0078 to H'007B |
|                                  | IRQ15         | 31                           | H'003E to H'003F | H'007C to H'007F |
| Internal interrupt* <sup>4</sup> |               | 32                           | H'0040 to H'0041 | H'0080 to H'0083 |
|                                  |               | 118                          | H'00EC to H'00ED | H'01D8 to H'01DB |

Notes: 1. Lower 16 bits of the address.

2. Not available in this LSI.

3. Not available in this LSI. It is reserved for system use.

4. For details of internal interrupt vectors, see section 5.5, Interrupt Exception Handling Vector Table.

## 4.3 Reset

A reset has the highest exception priority. When the  $\overline{\text{RES}}$  pin goes low, all processing halts and this LSI enters the reset. To ensure that this LSI is reset, hold the  $\overline{\text{RES}}$  pin low for at least 20 ms at power-up. To reset the chip during operation, hold the  $\overline{\text{RES}}$  pin low for at least 20 states. A reset initializes the internal state of the CPU and the registers of on-chip peripheral modules.

The chip can also be reset by overflow of the watchdog timer. For details see section 14, Watchdog Timer (WDT).

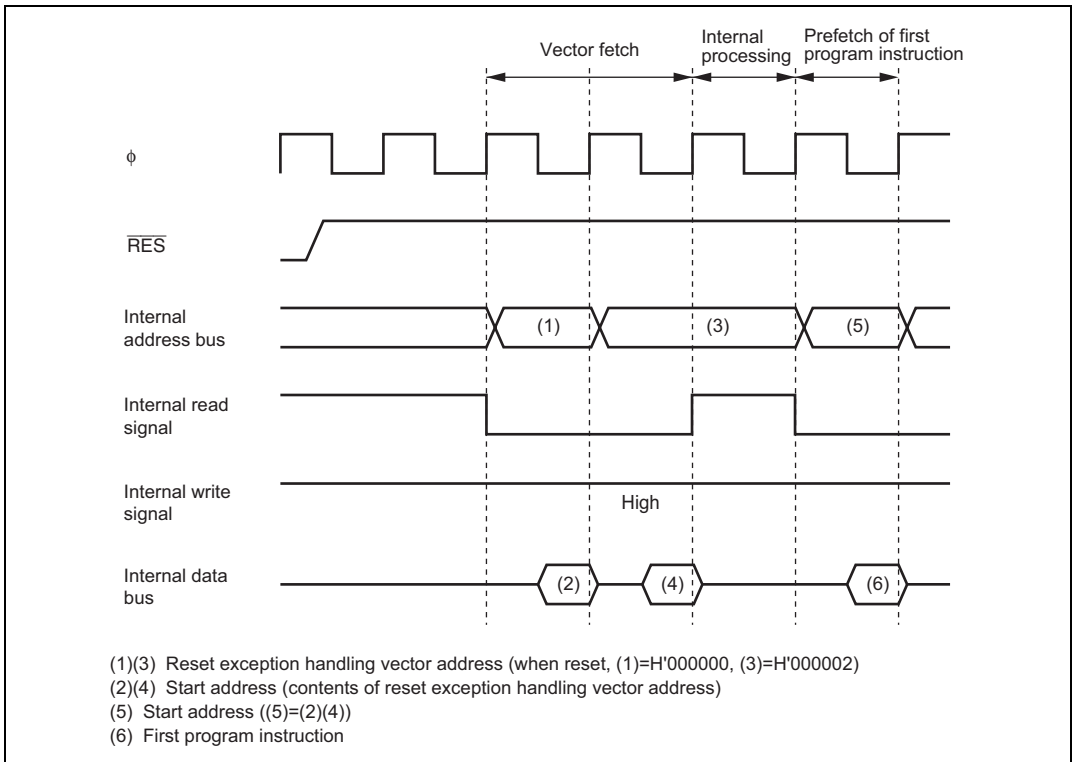
The interrupt control mode is 0 immediately after reset.

### 4.3.1 Reset Exception Handling

When the  $\overline{\text{RES}}$  pin goes high after being held low for the necessary time, this LSI starts reset exception handling as follows:

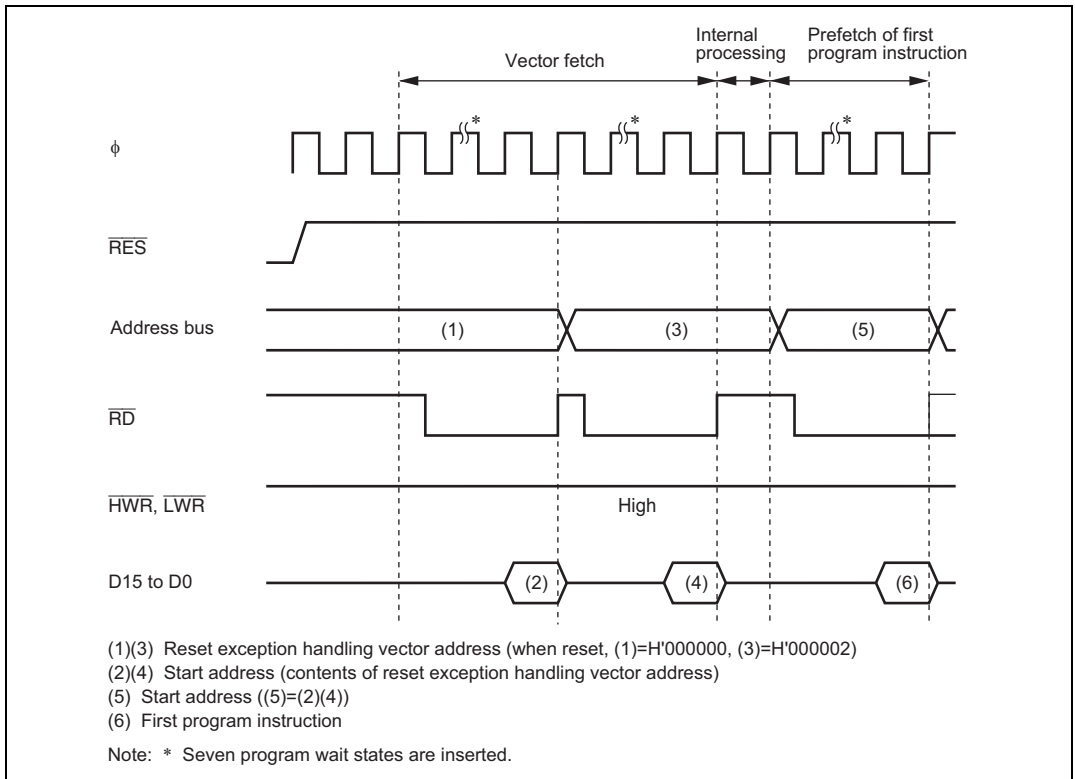
1. The internal state of the CPU and the registers of the on-chip peripheral modules are initialized, the T bit is cleared to 0 in EXR, and the I bit is set to 1 in EXR and CCR.
2. The reset exception handling vector address is read and transferred to the PC, and program execution starts from the address indicated by the PC.

Figures 4.1 and 4.2 show examples of the reset sequence.



**Figure 4.1 Reset Sequence (Advanced Mode with On-chip ROM Enabled)**





**Figure 4.2 Reset Sequence (Advanced Mode with On-chip ROM Disabled)**

### 4.3.2 Interrupts after Reset

If an interrupt is accepted after a reset but before the stack pointer (SP) is initialized, the PC and CCR will not be saved correctly, leading to a program crash. To prevent this, all interrupt requests, including NMI, are disabled immediately after a reset. Since the first instruction of a program is always executed immediately after the reset state ends, make sure that this instruction initializes the stack pointer (example: `MOV.L #xx: 32, SP`).

### 4.3.3 On-Chip Peripheral Functions after Reset Release

After reset release, MSTPCR is initialized to H'0FFF and all modules except the DMAC, EXDMAC and the DTC enter module stop mode.

Consequently, on-chip peripheral module registers cannot be read or written to. Register reading and writing is enabled when module stop mode is exited.

## 4.4 Trace Exception Handling

Traces are enabled in interrupt control mode 2. Trace mode is not activated in interrupt control mode 0, irrespective of the state of the T bit. For details on interrupt control modes, see section 5, Interrupt Controller.

If the T bit in EXR is set to 1, trace mode is activated. In trace mode, a trace exception occurs on completion of each instruction. Trace mode is not affected by interrupt masking. Table 4.3 shows the state of CCR and EXR after execution of trace exception handling. Trace mode is canceled by clearing the T bit in EXR to 0. The T bit saved on the stack retains its value of 1, and when control is returned from the trace exception handling routine by the RTE instruction, trace mode resumes. Trace exception handling is not carried out after execution of the RTE instruction.

Interrupts are accepted even within the trace exception handling routine.

**Table 4.3 Status of CCR and EXR after Trace Exception Handling**

| Interrupt Control Mode | CCR                                      |    | EXR      |   |
|------------------------|--|----|----------|---|
|                        | I  | UI | I2 to I0 | T |
| 0                      | Trace exception handling cannot be used. |    |          |   |
| 2                      | 1  | —  | —        | 0 |

Legend:

1: Set to 1

0: Cleared to 0

—: Retains value prior to execution.

## 4.5 Interrupt Exception Handling

Interrupts are controlled by the interrupt controller. The interrupt controller has two interrupt control modes and can assign interrupts other than NMI to eight priority/mask levels to enable multiplexed interrupt control. The source to start interrupt exception handling and the vector address differ depending on the product. For details, refer to section 5, Interrupt Controller.

The interrupt exception handling is as follows:

1. The values in the program counter (PC), condition code register (CCR), and extended register (EXR) are saved in the stack.
2. The interrupt mask bit is updated and the T bit is cleared to 0.
3. A vector address corresponding to the interrupt source is generated, the start address is loaded from the vector table to the PC, and program execution starts from that address.

## 4.6 Trap Instruction Exception Handling

Trap instruction exception handling starts when a TRAPA instruction is executed. Trap instruction exception handling can be executed at all times in the program execution state.

The trap instruction exception handling is as follows:

1. The values in the program counter (PC), condition code register (CCR), and extended register (EXR) are saved in the stack.
2. The interrupt mask bit is updated and the T bit is cleared to 0.
3. A vector address corresponding to the interrupt source is generated, the start address is loaded from the vector table to the PC, and program execution starts from that address.

The TRAPA instruction fetches a start address from a vector table entry corresponding to a vector number from 0 to 3, as specified in the instruction code.

Table 4.4 shows the status of CCR and EXR after execution of trap instruction exception handling.

**Table 4.4 Status of CCR and EXR after Trap Instruction Exception Handling**

| Interrupt Control Mode | CCR |    | EXR      |   |
|------------------------|-----|----|----------|---|
|                        | I   | UI | I2 to I0 | T |
| 0                      | 1   | —  | —        | — |
| 2                      | 1   | —  | —        | 0 |

Legend:

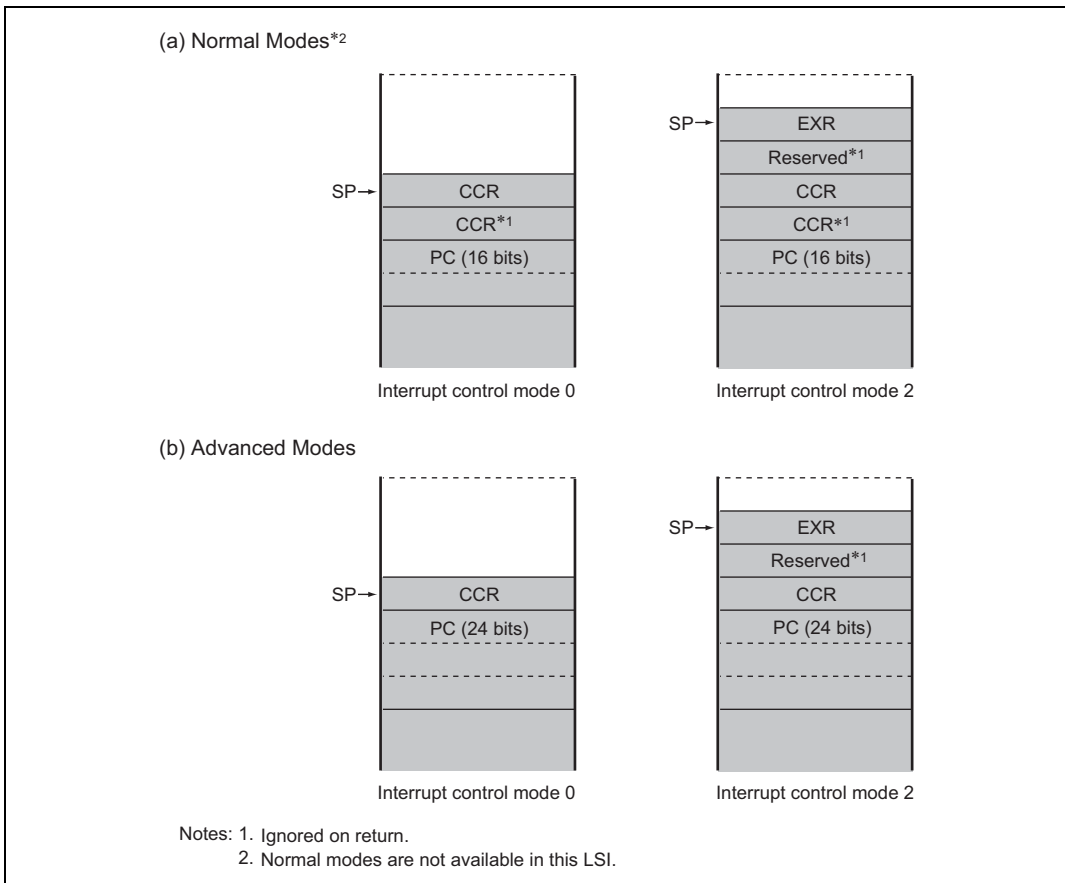
1: Set to 1

0: Cleared to 0

—: Retains value prior to execution.

## 4.7 Stack Status after Exception Handling

Figure 4.3 shows the stack after completion of trap instruction exception handling and interrupt exception handling.



**Figure 4.3 Stack Status after Exception Handling**

## 4.8 Usage Note

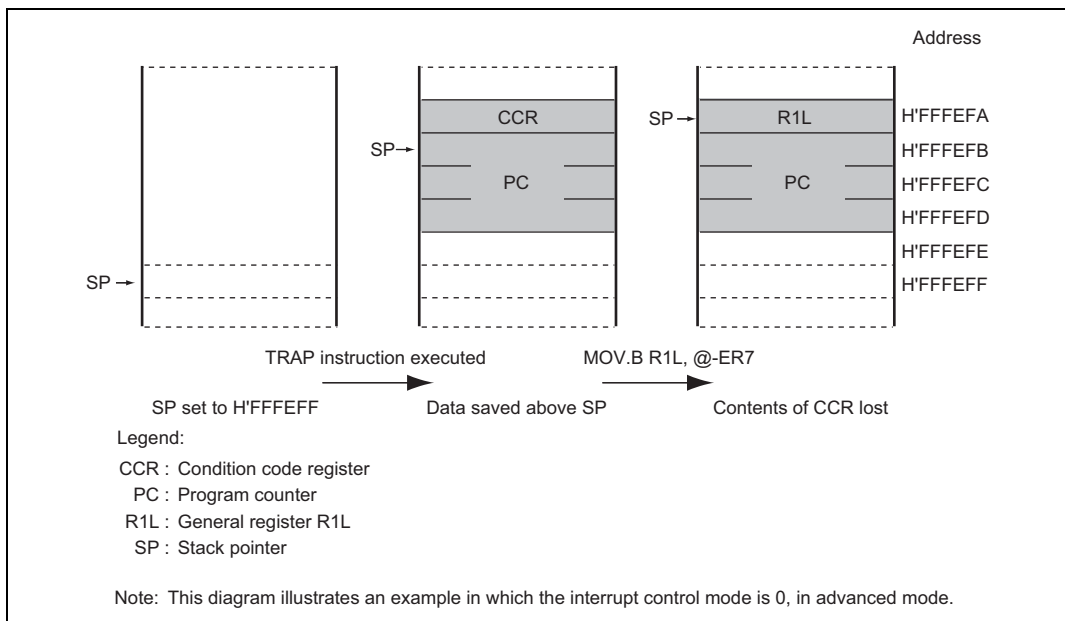
When accessing word data or longword data, this LSI assumes that the lowest address bit is 0. The stack should always be accessed by word transfer instruction or longword transfer instruction, and the value of the stack pointer (SP, ER7) should always be kept even. Use the following instructions to save registers:

```
PUSH.W  Rn      (or MOV.W Rn, @-SP)
PUSH.L  ERn     (or MOV.L ERn, @-SP)
```

Use the following instructions to restore registers:

```
POP.W   Rn      (or MOV.W @SP+, Rn)
POP.L   ERn     (or MOV.L @SP+, ERn)
```

Setting SP to an odd value may lead to a malfunction. Figure 4.4 shows an example of operation when the SP value is odd.



**Figure 4.4 Operation when SP Value Is Odd**



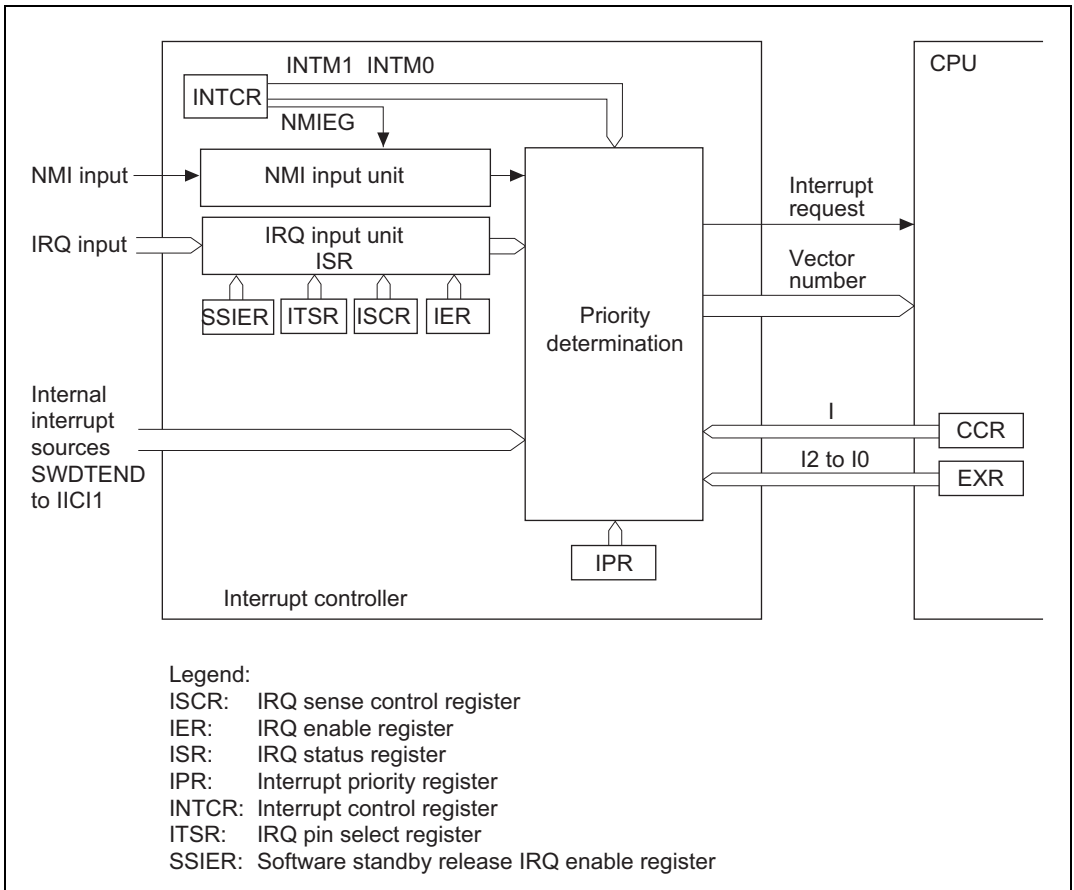
---

## Section 5 Interrupt Controller

### 5.1 Features

- Two interrupt control modes  
Any of two interrupt control modes can be set by means of the INTM1 and INTM0 bits in the interrupt control register (INTCR).
- Priorities settable with IPR  
An interrupt priority register (IPR) is provided for setting interrupt priorities. Eight priority levels can be set for each module for all interrupts except NMI. NMI is assigned the highest priority level of 8, and can be accepted at all times.
- Independent vector addresses  
All interrupt sources are assigned independent vector addresses, making it unnecessary for the source to be identified in the interrupt handling routine.
- Seventeen external interrupts  
NMI is the highest-priority interrupt, and is accepted at all times. Rising edge or falling edge can be selected for NMI. Falling edge, rising edge, or both edge detection, or level sensing, can be selected for  $\overline{\text{IRQ15}}$  to  $\overline{\text{IRQ0}}$ .
- DTC and DMAC control  
DTC and DMAC activations are performed by means of interrupts.

A block diagram of the interrupt controller is shown in figure 5.1.



**Figure 5.1 Block Diagram of Interrupt Controller**



## 5.2 Input/Output Pins

Table 5.1 shows the pin configuration of the interrupt controller.

**Table 5.1 Pin Configuration**

| <b>Name</b>   | <b>I/O</b> | <b>Function</b>  |
|---------------|------------|--|
| NMI           | Input      | Nonmaskable external interrupt<br>Rising or falling edge can be selected.                          |
| IRQ15 to IRQ0 | Input      | Maskable external interrupts<br>Rising, falling, or both edges, or level sensing, can be selected. |

## 5.3 Register Descriptions

The interrupt controller has the following registers.

- Interrupt control register (INTCR)
- IRQ sense control register H (ISCRH)
- IRQ sense control register L (ISCRL)
- IRQ enable register (IER)
- IRQ status register (ISR)
- IRQ pin select register (ITSR)
- Software standby release IRQ enable register (SSIER)
- Interrupt priority register A (IPRA)
- Interrupt priority register B (IPRB)
- Interrupt priority register C (IPRC)
- Interrupt priority register D (IPRD)
- Interrupt priority register E (IPRE)
- Interrupt priority register F (IPRF)
- Interrupt priority register G (IPRG)
- Interrupt priority register H (IPRH)
- Interrupt priority register I (IPRI)
- Interrupt priority register J (IPRJ)
- Interrupt priority register K (IPRK)

### 5.3.1 Interrupt Control Register (INTCR)

INTCR selects the interrupt control mode, and the detected edge for NMI.

| Bit    | Bit Name | Initial Value | R/W | Description  |
|--------|----------|---------------|-----|--|
| 7, 6   | —        | All 0         | —   | Reserved<br>These bits are always read as 0 and the initial value should not be changed.   |
| 5      | INTM1    | 0             | R/W | Interrupt Control Select Mode 1 and 0  |
| 4      | INTM0    | 0             | R/W | These bits select either of two interrupt control modes for the interrupt controller.<br>00: Interrupt control mode 0<br>Interrupts are controlled by I bit.<br>01: Setting prohibited.<br>10: Interrupt control mode 2<br>Interrupts are controlled by bits I2 to I0, and IPR.<br>11: Setting prohibited. |
| 3      | NMIEG    | 0             | R/W | NMI Edge Select<br>Selects the input edge for the NMI pin.<br>0: Interrupt request generated at falling edge of NMI input<br>1: Interrupt request generated at rising edge of NMI input  |
| 2 to 0 | —        | All 0         | —   | Reserved<br>These bits are always read as 0 and the initial value should not be changed.   |

### 5.3.2 Interrupt Priority Registers A to K (IPRA to IPRK)

IPR are eleven 16-bit readable/writable registers that set priorities (levels 7 to 0) for interrupts other than NMI.

The correspondence between interrupt sources and IPR settings is shown in table 5.2 (Interrupt Sources, Vector Addresses, and Interrupt Priorities). Setting a value in the range from H'0 to H'7 in the 3-bit groups of bits 14 to 12, 10 to 8, 6 to 4, and 2 to 0 sets the priority of the corresponding interrupt. IPR should be read in word size.

| Bit | Bit Name | Initial Value | R/W | Description   |
|-----|----------|---------------|-----|---|
| 15  | —        | 0             | —   | Reserved<br>This bit is always read as 0 and the initial value should not be changed.   |
| 14  | IPR14    | 1             | R/W | Sets the priority of the corresponding interrupt source.  |
| 13  | IPR13    | 1             | R/W | 000: Priority level 0 (Lowest)  |
| 12  | IPR12    | 1             | R/W | 001: Priority level 1<br>010: Priority level 2<br>011: Priority level 3<br>100: Priority level 4<br>101: Priority level 5<br>110: Priority level 6<br>111: Priority level 7 (Highest) |
| 11  | —        | 0             | —   | Reserved<br>This bit is always read as 0 and the initial value should not be changed.   |
| 10  | IPR10    | 1             | R/W | Sets the priority of the corresponding interrupt source.  |
| 9   | IPR9     | 1             | R/W | 000: Priority level 0 (Lowest)  |
| 8   | IPR8     | 1             | R/W | 001: Priority level 1<br>010: Priority level 2<br>011: Priority level 3<br>100: Priority level 4<br>101: Priority level 5<br>110: Priority level 6<br>111: Priority level 7 (Highest) |
| 7   | —        | 0             | —   | Reserved<br>This bit is always read as 0 and the initial value should not be changed.   |
| 6   | IPR6     | 1             | R/W | Sets the priority of the corresponding interrupt source.  |
| 5   | IPR5     | 1             | R/W | 000: Priority level 0 (Lowest)  |
| 4   | IPR4     | 1             | R/W | 001: Priority level 1<br>010: Priority level 2<br>011: Priority level 3<br>100: Priority level 4<br>101: Priority level 5<br>110: Priority level 6<br>111: Priority level 7 (Highest) |

| Bit | Bit Name | Initial Value | R/W | Description   |
|-----|----------|---------------|-----|---|
| 3   | —        | 0             | —   | Reserved<br>This bit is always read as 0 and the initial value should not be changed.   |
| 2   | IPR2     | 1             | R/W | Sets the priority of the corresponding interrupt source.  |
| 1   | IPR1     | 1             | R/W | 000: Priority level 0 (Lowest)  |
| 0   | IPR0     | 1             | R/W | 001: Priority level 1<br>010: Priority level 2<br>011: Priority level 3<br>100: Priority level 4<br>101: Priority level 5<br>110: Priority level 6<br>111: Priority level 7 (Highest) |

### 5.3.3 IRQ Enable Register (IER)

IER controls enabling and disabling of interrupt requests IRQ15 to IRQ0.

| Bit | Bit Name | Initial Value | R/W | Description  |
|-----|----------|---------------|-----|--|
| 15  | IRQ15E   | 0             | R/W | IRQ15 Enable<br>The IRQ15 interrupt request is enabled when this bit is 1. |
| 14  | IRQ14E   | 0             | R/W | IRQ14 Enable<br>The IRQ14 interrupt request is enabled when this bit is 1. |
| 13  | IRQ13E   | 0             | R/W | IRQ13 Enable<br>The IRQ13 interrupt request is enabled when this bit is 1. |
| 12  | IRQ12E   | 0             | R/W | IRQ12 Enable<br>The IRQ12 interrupt request is enabled when this bit is 1. |
| 11  | IRQ11E   | 0             | R/W | IRQ11 Enable<br>The IRQ11 interrupt request is enabled when this bit is 1. |

| Bit | Bit Name | Initial Value | R/W | Description  |
|-----|----------|---------------|-----|--|
| 10  | IRQ10E   | 0             | R/W | IRQ10 Enable<br>The IRQ10 interrupt request is enabled when this bit is 1. |
| 9   | IRQ9E    | 0             | R/W | IRQ9 Enable<br>The IRQ9 interrupt request is enabled when this bit is 1.   |
| 8   | IRQ8E    | 0             | R/W | IRQ8 Enable<br>The IRQ8 interrupt request is enabled when this bit is 1.   |
| 7   | IRQ7E    | 0             | R/W | IRQ7 Enable<br>The IRQ7 interrupt request is enabled when this bit is 1.   |
| 6   | IRQ6E    | 0             | R/W | IRQ6 Enable<br>The IRQ6 interrupt request is enabled when this bit is 1.   |
| 5   | IRQ5E    | 0             | R/W | IRQ5 Enable<br>The IRQ5 interrupt request is enabled when this bit is 1.   |
| 4   | IRQ4E    | 0             | R/W | IRQ4 Enable<br>The IRQ4 interrupt request is enabled when this bit is 1.   |
| 3   | IRQ3E    | 0             | R/W | IRQ3 Enable<br>The IRQ3 interrupt request is enabled when this bit is 1.   |
| 2   | IRQ2E    | 0             | R/W | IRQ2 Enable<br>The IRQ2 interrupt request is enabled when this bit is 1.   |
| 1   | IRQ1E    | 0             | R/W | IRQ1 Enable<br>The IRQ1 interrupt request is enabled when this bit is 1.   |
| 0   | IRQ0E    | 0             | R/W | IRQ0 Enable<br>The IRQ0 interrupt request is enabled when this bit is 1.   |

### 5.3.4 IRQ Sense Control Registers H and L (ISCRH, ISCLR)

ISCR select the source that generates an interrupt request at pins  $\overline{\text{IRQ15}}$  to  $\overline{\text{IRQ0}}$ .

- ISCRH

| Bit | Bit Name | Initial Value | R/W | Description   |
|-----|----------|---------------|-----|---|
| 15  | IRQ15SCB | 0             | R/W | IRQ15 Sense Control B   |
| 14  | IRQ15SCA | 0             | R/W | IRQ15 Sense Control A   |
|     |          |               |     | 00: Interrupt request generated at $\overline{\text{IRQ15}}$ input low level                        |
|     |          |               |     | 01: Interrupt request generated at falling edge of $\overline{\text{IRQ15}}$ input                  |
|     |          |               |     | 10: Interrupt request generated at rising edge of $\overline{\text{IRQ15}}$ input                   |
|     |          |               |     | 11: Interrupt request generated at both falling and rising edges of $\overline{\text{IRQ15}}$ input |
| 13  | IRQ14SCB | 0             | R/W | IRQ14 Sense Control B   |
| 12  | IRQ14SCA | 0             | R/W | IRQ14 Sense Control A   |
|     |          |               |     | 00: Interrupt request generated at $\overline{\text{IRQ14}}$ input low level                        |
|     |          |               |     | 01: Interrupt request generated at falling edge of $\overline{\text{IRQ14}}$ input                  |
|     |          |               |     | 10: Interrupt request generated at rising edge of $\overline{\text{IRQ14}}$ input                   |
|     |          |               |     | 11: Interrupt request generated at both falling and rising edges of $\overline{\text{IRQ14}}$ input |
| 11  | IRQ13SCB | 0             | R/W | IRQ13 Sense Control B   |
| 10  | IRQ13SCA | 0             | R/W | IRQ13 Sense Control A   |
|     |          |               |     | 00: Interrupt request generated at $\overline{\text{IRQ13}}$ input low level                        |
|     |          |               |     | 01: Interrupt request generated at falling edge of $\overline{\text{IRQ13}}$ input                  |
|     |          |               |     | 10: Interrupt request generated at rising edge of $\overline{\text{IRQ13}}$ input                   |
|     |          |               |     | 11: Interrupt request generated at both falling and rising edges of $\overline{\text{IRQ13}}$ input |

| Bit | Bit Name | Initial Value | R/W | Description   |
|-----|----------|---------------|-----|---|
| 9   | IRQ12SCB | 0             | R/W | IRQ12 Sense Control B   |
| 8   | IRQ12SCA | 0             | R/W | IRQ12 Sense Control A   |
|     |          |               |     | 00: Interrupt request generated at $\overline{\text{IRQ12}}$ input low level                        |
|     |          |               |     | 01: Interrupt request generated at falling edge of $\overline{\text{IRQ12}}$ input                  |
|     |          |               |     | 10: Interrupt request generated at rising edge of $\overline{\text{IRQ12}}$ input                   |
|     |          |               |     | 11: Interrupt request generated at both falling and rising edges of $\overline{\text{IRQ12}}$ input |
| 7   | IRQ11SCB | 0             | R/W | IRQ11 Sense Control B   |
| 6   | IRQ11SCA | 0             | R/W | IRQ11 Sense Control A   |
|     |          |               |     | 00: Interrupt request generated at $\overline{\text{IRQ11}}$ input low level                        |
|     |          |               |     | 01: Interrupt request generated at falling edge of $\overline{\text{IRQ11}}$ input                  |
|     |          |               |     | 10: Interrupt request generated at rising edge of $\overline{\text{IRQ11}}$ input                   |
|     |          |               |     | 11: Interrupt request generated at both falling and rising edges of $\overline{\text{IRQ11}}$ input |
| 5   | IRQ10SCB | 0             | R/W | IRQ10 Sense Control B   |
| 4   | IRQ10SCA | 0             | R/W | IRQ10 Sense Control A   |
|     |          |               |     | 00: Interrupt request generated at $\overline{\text{IRQ10}}$ input low level                        |
|     |          |               |     | 01: Interrupt request generated at falling edge of $\overline{\text{IRQ10}}$ input                  |
|     |          |               |     | 10: Interrupt request generated at rising edge of $\overline{\text{IRQ10}}$ input                   |
|     |          |               |     | 11: Interrupt request generated at both falling and rising edges of $\overline{\text{IRQ10}}$ input |

| Bit | Bit Name | Initial Value | R/W | Description  |
|-----|----------|---------------|-----|--|
| 3   | IRQ9SCB  | 0             | R/W | IRQ9 Sense Control B   |
| 2   | IRQ9SCA  | 0             | R/W | IRQ9 Sense Control A<br>00: Interrupt request generated at $\overline{\text{IRQ9}}$ input low level<br>01: Interrupt request generated at falling edge of $\overline{\text{IRQ9}}$ input<br>10: Interrupt request generated at rising edge of $\overline{\text{IRQ9}}$ input<br>11: Interrupt request generated at both falling and rising edges of $\overline{\text{IRQ9}}$ input |
| 1   | IRQ8SCB  | 0             | R/W | IRQ8 Sense Control B   |
| 0   | IRQ8SCA  | 0             | R/W | IRQ8 Sense Control A<br>00: Interrupt request generated at $\overline{\text{IRQ8}}$ input low level<br>01: Interrupt request generated at falling edge of $\overline{\text{IRQ8}}$ input<br>10: Interrupt request generated at rising edge of $\overline{\text{IRQ8}}$ input<br>11: Interrupt request generated at both falling and rising edges of $\overline{\text{IRQ8}}$ input |

---



- ISCR\_L

| Bit | Bit Name | Initial Value | R/W | Description  |
|-----|----------|---------------|-----|--|
| 15  | IRQ7SCB  | 0             | R/W | IRQ7 Sense Control B   |
| 14  | IRQ7SCA  | 0             | R/W | IRQ7 Sense Control A   |
|     |          |               |     | 00: Interrupt request generated at $\overline{\text{IRQ7}}$ input low level                        |
|     |          |               |     | 01: Interrupt request generated at falling edge of $\overline{\text{IRQ7}}$ input                  |
|     |          |               |     | 10: Interrupt request generated at rising edge of $\overline{\text{IRQ7}}$ input                   |
|     |          |               |     | 11: Interrupt request generated at both falling and rising edges of $\overline{\text{IRQ7}}$ input |
| 13  | IRQ6SCB  | 0             | R/W | IRQ6 Sense Control B   |
| 12  | IRQ6SCA  | 0             | R/W | IRQ6 Sense Control A   |
|     |          |               |     | 00: Interrupt request generated at $\overline{\text{IRQ6}}$ input low level                        |
|     |          |               |     | 01: Interrupt request generated at falling edge of $\overline{\text{IRQ6}}$ input                  |
|     |          |               |     | 10: Interrupt request generated at rising edge of $\overline{\text{IRQ6}}$ input                   |
|     |          |               |     | 11: Interrupt request generated at both falling and rising edges of $\overline{\text{IRQ6}}$ input |
| 11  | IRQ5SCB  | 0             | R/W | IRQ5 Sense Control B   |
| 10  | IRQ5SCA  | 0             | R/W | IRQ5 Sense Control A   |
|     |          |               |     | 00: Interrupt request generated at $\overline{\text{IRQ5}}$ input low level                        |
|     |          |               |     | 01: Interrupt request generated at falling edge of $\overline{\text{IRQ5}}$ input                  |
|     |          |               |     | 10: Interrupt request generated at rising edge of $\overline{\text{IRQ5}}$ input                   |
|     |          |               |     | 11: Interrupt request generated at both falling and rising edges of $\overline{\text{IRQ5}}$ input |

| Bit | Bit Name | Initial Value | R/W | Description  |
|-----|----------|---------------|-----|--|
| 9   | IRQ4SCB  | 0             | R/W | IRQ4 Sense Control B   |
| 8   | IRQ4SCA  | 0             | R/W | IRQ4 Sense Control A   |
|     |          |               |     | 00: Interrupt request generated at $\overline{\text{IRQ4}}$ input low level                        |
|     |          |               |     | 01: Interrupt request generated at falling edge of $\overline{\text{IRQ4}}$ input                  |
|     |          |               |     | 10: Interrupt request generated at rising edge of $\overline{\text{IRQ4}}$ input                   |
|     |          |               |     | 11: Interrupt request generated at both falling and rising edges of $\overline{\text{IRQ4}}$ input |
| 7   | IRQ3SCB  | 0             | R/W | IRQ3 Sense Control B   |
| 6   | IRQ3SCA  | 0             | R/W | IRQ3 Sense Control A   |
|     |          |               |     | 00: Interrupt request generated at $\overline{\text{IRQ3}}$ input low level                        |
|     |          |               |     | 01: Interrupt request generated at falling edge of $\overline{\text{IRQ3}}$ input                  |
|     |          |               |     | 10: Interrupt request generated at rising edge of $\overline{\text{IRQ3}}$ input                   |
|     |          |               |     | 11: Interrupt request generated at both falling and rising edges of $\overline{\text{IRQ3}}$ input |
| 5   | IRQ2SCB  | 0             | R/W | IRQ2 Sense Control B   |
| 4   | IRQ2SCA  | 0             | R/W | IRQ2 Sense Control A   |
|     |          |               |     | 00: Interrupt request generated at $\overline{\text{IRQ2}}$ input low level                        |
|     |          |               |     | 01: Interrupt request generated at falling edge of $\overline{\text{IRQ2}}$ input                  |
|     |          |               |     | 10: Interrupt request generated at rising edge of $\overline{\text{IRQ2}}$ input                   |
|     |          |               |     | 11: Interrupt request generated at both falling and rising edges of $\overline{\text{IRQ2}}$ input |

| Bit | Bit Name | Initial Value | R/W | Description  |
|-----|----------|---------------|-----|--|
| 3   | IRQ1SCB  | 0             | R/W | IRQ1 Sense Control B   |
| 2   | IRQ1SCA  | 0             | R/W | IRQ1 Sense Control A   |
|     |          |               |     | 00: Interrupt request generated at $\overline{\text{IRQ1}}$ input low level                        |
|     |          |               |     | 01: Interrupt request generated at falling edge of $\overline{\text{IRQ1}}$ input                  |
|     |          |               |     | 10: Interrupt request generated at rising edge of $\overline{\text{IRQ1}}$ input                   |
|     |          |               |     | 11: Interrupt request generated at both falling and rising edges of $\overline{\text{IRQ1}}$ input |
| 1   | IRQ0SCB  | 0             | R/W | IRQ0 Sense Control B   |
| 0   | IRQ0SCA  | 0             | R/W | IRQ0 Sense Control A   |
|     |          |               |     | 00: Interrupt request generated at $\overline{\text{IRQ0}}$ input low level                        |
|     |          |               |     | 01: Interrupt request generated at falling edge of $\overline{\text{IRQ0}}$ input                  |
|     |          |               |     | 10: Interrupt request generated at rising edge of $\overline{\text{IRQ0}}$ input                   |
|     |          |               |     | 11: Interrupt request generated at both falling and rising edges of $\overline{\text{IRQ0}}$ input |

### 5.3.5 IRQ Status Register (ISR)

ISR is an IRQ15 to IRQ0 interrupt request flag register.

| Bit | Bit Name | Initial Value | R/W    | Description   |
|-----|----------|---------------|--------|---|
| 15  | IRQ15F   | 0             | R/(W)* | [Setting condition]   |
| 14  | IRQ14F   | 0             | R/(W)* | When the interrupt source selected by ISCR occurs   |
| 13  | IRQ13F   | 0             | R/(W)* |   |
| 12  | IRQ12F   | 0             | R/(W)* | [Clearing conditions]   |
| 11  | IRQ11F   | 0             | R/(W)* | <ul style="list-style-type: none"> <li>Cleared by reading IRQnF flag when IRQnF = 1, then writing 0 to IRQnF flag</li> </ul>  |
| 10  | IRQ10F   | 0             | R/(W)* |   |
| 9   | IRQ9F    | 0             | R/(W)* | <ul style="list-style-type: none"> <li>When interrupt exception handling is executed when low-level detection is set and <math>\overline{\text{IRQn}}</math> input is high</li> </ul> |
| 8   | IRQ8F    | 0             | R/(W)* |   |
| 7   | IRQ7F    | 0             | R/(W)* | <ul style="list-style-type: none"> <li>When IRQn interrupt exception handling is executed when falling, rising, or both-edge detection is set</li> </ul>                              |
| 6   | IRQ6F    | 0             | R/(W)* |   |
| 5   | IRQ5F    | 0             | R/(W)* | <ul style="list-style-type: none"> <li>When the DTC is activated by an IRQn interrupt, and the DISEL bit in MRB of the DTC is cleared to 0</li> </ul>                                 |
| 4   | IRQ4F    | 0             | R/(W)* |   |
| 3   | IRQ3F    | 0             | R/(W)* |   |
| 2   | IRQ2F    | 0             | R/(W)* |   |
| 1   | IRQ1F    | 0             | R/(W)* |   |
| 0   | IRQ0F    | 0             | R/(W)* |   |

(n = 15 to 0)

Note: \* Only 0 can be written, to clear the flag.

### 5.3.6 IRQ Pin Select Register (ITSR)

ITSR selects input pins  $\overline{\text{IRQ15}}$  to  $\overline{\text{IRQ0}}$ .

| Bit | Bit Name | Initial Value | R/W | Description  |
|-----|----------|---------------|-----|--|
| 15  | ITS15    | 0             | R/W | Selects $\overline{\text{IRQ15}}$ input pin.<br>0: PF2<br>1: P27 |
| 14  | ITS14    | 0             | R/W | Selects $\overline{\text{IRQ14}}$ input pin.<br>0: PF1<br>1: P26 |
| 13  | ITS13    | 0             | R/W | Selects $\overline{\text{IRQ13}}$ input pin.<br>0: P65<br>1: P25 |
| 12  | ITS12    | 0             | R/W | Selects $\overline{\text{IRQ12}}$ input pin.<br>0: P64<br>1: P24 |
| 11  | ITS11    | 0             | R/W | Selects $\overline{\text{IRQ11}}$ input pin.<br>0: P63<br>1: P23 |
| 10  | ITS10    | 0             | R/W | Selects $\overline{\text{IRQ10}}$ input pin.<br>0: P62<br>1: P22 |
| 9   | ITS9     | 0             | R/W | Selects $\overline{\text{IRQ9}}$ input pin.<br>0: P61<br>1: P21  |
| 8   | ITS8     | 0             | R/W | Selects $\overline{\text{IRQ8}}$ input pin.<br>0: P60<br>1: P20  |
| 7   | ITS7     | 0             | R/W | Selects $\overline{\text{IRQ7}}$ input pin.<br>0: PA7<br>1: PH3  |

| Bit | Bit Name | Initial Value | R/W | Description   |
|-----|----------|---------------|-----|---|
| 6   | ITS6     | 0             | R/W | Selects $\overline{\text{IRQ6}}$ input pin.<br>0: PA6<br>1: PH2 |
| 5   | ITS5     | 0             | R/W | Selects $\overline{\text{IRQ5}}$ input pin.<br>0: PA5<br>1: P85 |
| 4   | ITS4     | 0             | R/W | Selects $\overline{\text{IRQ4}}$ input pin.<br>0: PA4<br>1: P84 |
| 3   | ITS3     | 0             | R/W | Selects $\overline{\text{IRQ3}}$ input pin.<br>0: P53<br>1: P83 |
| 2   | ITS2     | 0             | R/W | Selects $\overline{\text{IRQ2}}$ input pin.<br>0: P52<br>1: P82 |
| 1   | ITS1     | 0             | R/W | Selects $\overline{\text{IRQ1}}$ input pin.<br>0: P51<br>1: P81 |
| 0   | ITS0     | 0             | R/W | Selects $\overline{\text{IRQ0}}$ input pin.<br>0: P50<br>1: P80 |

### 5.3.7 Software Standby Release IRQ Enable Register (SSIER)

SSIER selects the  $\overline{\text{IRQ}}$  pins used to recover from the software standby state.

| Bit | Bit Name | Initial Value | R/W | Description   |
|-----|----------|---------------|-----|---|
| 15  | SSI15    | 0             | R/W | Software Standby Release IRQ Setting  |
| 14  | SSI14    | 0             | R/W | These bits select the $\overline{\text{IRQ}}_n$ pins used to recover from the software standby state.   |
| 13  | SSI13    | 0             | R/W |   |
| 12  | SSI12    | 0             | R/W | 0: IRQ <sub>n</sub> requests are not sampled in the software standby state (Initial value when n = 15 to 3)   |
| 11  | SSI11    | 0             | R/W |   |
| 10  | SSI10    | 0             | R/W | 1: When an IRQ <sub>n</sub> request occurs in the software standby state, the chip recovers from the software standby state after the elapse of the oscillation settling time (Initial value when n = 2 to 0) |
| 9   | SSI9     | 0             | R/W |   |
| 8   | SSI8     | 0             | R/W | (n = 15 to 0)   |
| 7   | SSI7     | 0             | R/W |   |
| 6   | SSI6     | 0             | R/W |   |
| 5   | SSI5     | 0             | R/W |   |
| 4   | SSI4     | 0             | R/W |   |
| 3   | SSI3     | 0             | R/W |   |
| 2   | SSI2     | 0             | R/W |   |
| 1   | SSI1     | 0             | R/W |   |
| 0   | SSI0     | 0             | R/W |   |

## 5.4 Interrupt Sources

### 5.4.1 External Interrupts

There are seventeen external interrupts: NMI and IRQ15 to IRQ0. These interrupts can be used to restore the chip from software standby mode.

**NMI Interrupt:** Nonmaskable interrupt request (NMI) is the highest-priority interrupt, and is always accepted by the CPU regardless of the interrupt control mode or the status of the CPU interrupt mask bits. The NMIEG bit in INTCR can be used to select whether an interrupt is requested at a rising edge or a falling edge on the NMI pin.

**IRQ15 to IRQ0 Interrupts:** Interrupts IRQ15 to IRQ0 are requested by an input signal at pins  $\overline{\text{IRQ15}}$  to  $\overline{\text{IRQ0}}$ . Interrupts IRQ15 to IRQ0 have the following features:

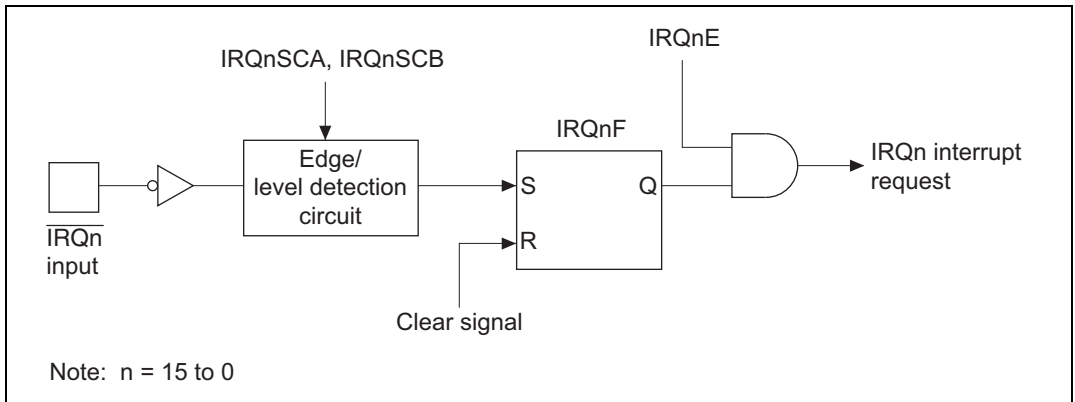
- Using ISCR, it is possible to select whether an interrupt is generated by a low level, falling edge, rising edge, or both edges, at pins  $\overline{\text{IRQ15}}$  to  $\overline{\text{IRQ0}}$ .
- Enabling or disabling of interrupt requests IRQ15 to IRQ0 can be selected with IER.
- The interrupt priority level can be set with IPR.
- The status of interrupt requests IRQ15 to IRQ0 is indicated in ISR. ISR flags can be cleared to 0 by software.

When IRQ15 to IRQ0 interrupt requests occur at low level of  $\overline{\text{IRQn}}$ , the corresponding  $\overline{\text{IRQ}}$  should be held low until an interrupt handling starts. Then the corresponding  $\overline{\text{IRQ}}$  should be set to high in the interrupt handling routine and clear the  $\text{IRQnF}$  bit ( $n = 0$  to 15) in ISR to 0. Interrupts may not be executed when the corresponding  $\overline{\text{IRQ}}$  is set to high before the interrupt handling starts.

Detection of IRQ15 to IRQ0 interrupts does not depend on whether the relevant pin has been set for input or output. However, when a pin is used as an external interrupt input pin, do not clear the corresponding DDR to 0 and use the pin as an I/O pin for another function.

A block diagram of interrupts IRQ15 to IRQ0 is shown in figure 5.2.





**Figure 5.2 Block Diagram of Interrupts IRQ15 to IRQ0**

### 5.4.2 Internal Interrupts

The sources for internal interrupts from on-chip peripheral modules have the following features:

- For each on-chip peripheral module there are flags that indicate the interrupt request status, and enable bits that select enabling or disabling of these interrupts. They can be controlled independently. When the enable bit is set to 1, an interrupt request is issued to the interrupt controller.
- The interrupt priority level can be set by means of IPR.
- The DMAC and DTC can be activated by a TPU, SCI, or other interrupt request.
- When the DMAC or DTC is activated by an interrupt request, it is not affected by the interrupt control mode or CPU interrupt mask bit.

## 5.5 Interrupt Exception Handling Vector Table

Table 5.2 shows interrupt exception handling sources, vector addresses, and interrupt priorities.

For default priorities, the lower the vector number, the higher the priority. When interrupt control mode 2 is set, priorities among modules can be set by means of the IPR. Modules set at the same priority will conform to their default priorities. Priorities within a module are fixed.

Table 5.2 Interrupt Sources, Vector Addresses, and Interrupt Priorities

| Interrupt Source   | Origin of Interrupt Source | Vector Number | Vector Address*1 |                  | Priority | DTC Activation | DMAC Activation |
|--------------------|----------------------------|---------------|------------------|------------------|----------|----------------|-----------------|
|                    |                            |               | Advanced Mode    | IPR              |          |                |                 |
| External pin       | NMI                        | 7             | H'001C           | —                | High     | —              | —               |
|                    | IRQ0                       | 16            | H'0040           | IPRA14 to IPRA12 | ↑        | ○              | —               |
|                    | IRQ1                       | 17            | H'0044           | IPRA10 to IPRA8  |          | ○              | —               |
|                    | IRQ2                       | 18            | H'0048           | IPRA6 to IPRA4   |          | ○              | —               |
|                    | IRQ3                       | 19            | H'004C           | IPRA2 to IPRA0   |          | ○              | —               |
|                    | IRQ4                       | 20            | H'0050           | IPRB14 to IPRB12 |          | ○              | —               |
|                    | IRQ5                       | 21            | H'0054           | IPRB10 to IPRB8  |          | ○              | —               |
|                    | IRQ6                       | 22            | H'0058           | IPRB6 to IPRB4   |          | ○              | —               |
|                    | IRQ7                       | 23            | H'005C           | IPRB2 to IPRB0   |          | ○              | —               |
|                    | IRQ8                       | 24            | H'0060           | IPRC14 to IPRC12 |          | ○              | —               |
|                    | IRQ9                       | 25            | H'0064           | IPRC10 to IPRC8  |          | ○              | —               |
|                    | IRQ10                      | 26            | H'0068           | IPRC6 to IPRC4   |          | ○              | —               |
|                    | IRQ11                      | 27            | H'006C           | IPRC2 to IPRC0   |          | ○              | —               |
|                    | IRQ12                      | 28            | H'0070           | IPRD14 to IPRD12 |          | ○              | —               |
|                    | IRQ13                      | 29            | H'0074           | IPRD10 to IPRD8  |          | ○              | —               |
|                    | IRQ14                      | 30            | H'0078           | IPRD6 to IPRD4   |          | ○              | —               |
|                    | IRQ15                      | 31            | H'007C           | IPRD2 to IPRD0   | ○        | —              |                 |
| DTC                | SWDTEND                    | 32            | H'0080           | IPRE14 to IPRE12 | ○        | —              |                 |
| WDT                | WOVI                       | 33            | H'0084           | IPRE10 to IPRE8  | —        | —              |                 |
| —                  | Reserved for system use    | 34            | H'0088           | IPRE6 to IPRE4   | —        | —              |                 |
| Refresh controller | CMI                        | 35            | H'008C           | IPRE2 to IPRE0   | —        | —              |                 |
| —                  | Reserved for system use    | 36            | H'0090           | IPRF14 to IPRF12 | —        | —              |                 |
|                    |                            | 37            | H'0094           |                  | —        | —              |                 |
| A/D                | ADI                        | 38            | H'0098           | IPRF10 to IPRF8  | ○        | ○              |                 |
|                    | Reserved for system use    | 39            | H'009C           |                  | —        | —              |                 |
|                    |                            |               |                  |                  | Low      |                |                 |

| Interrupt Source | Origin of Interrupt Source | Vector Number | Vector Address*1         | IPR                      | Priority | DTC Activation           | DMAC Activation          |
|------------------|----------------------------|---------------|--------------------------|--------------------------|----------|--------------------------|--------------------------|
|                  |                            |               | Advanced Mode            |                          |          |                          |                          |
| TPU_0            | TGI0A                      | 40            | H'00A0                   | IPRF6 to IPRF4           | High     | <input type="radio"/>    | <input type="radio"/>    |
|                  | TGI0B                      | 41            | H'00A4                   |                          |          | <input type="radio"/>    | <input type="checkbox"/> |
|                  | TGI0C                      | 42            | H'00A8                   |                          |          | <input type="radio"/>    | <input type="checkbox"/> |
|                  | TGI0D                      | 43            | H'00AC                   |                          |          | <input type="radio"/>    | <input type="checkbox"/> |
|                  | TCI0V                      | 44            | H'00B0                   |                          |          | <input type="checkbox"/> | <input type="checkbox"/> |
|                  | Reserved for system use    | 45            | H'00B4                   |                          |          | <input type="checkbox"/> | <input type="checkbox"/> |
|                  |                            | 46            | H'00B8                   |                          |          | <input type="checkbox"/> | <input type="checkbox"/> |
| 47               |                            | H'00BC        | <input type="checkbox"/> | <input type="checkbox"/> |          |                          |                          |
| TPU_1            | TGI1A                      | 48            | H'00C0                   | IPRF2 to IPRF0           |          | <input type="radio"/>    | <input type="radio"/>    |
|                  | TGI1B                      | 49            | H'00C4                   |                          |          | <input type="radio"/>    | <input type="checkbox"/> |
|                  | TCI1V                      | 50            | H'00C8                   |                          |          | <input type="checkbox"/> | <input type="checkbox"/> |
|                  | TCI1U                      | 51            | H'00CC                   |                          |          | <input type="checkbox"/> | <input type="checkbox"/> |
| TPU_2            | TGI2A                      | 52            | H'00D0                   | IPRG14 to IPRG12         |          | <input type="radio"/>    | <input type="radio"/>    |
|                  | TGI2B                      | 53            | H'00D4                   |                          |          | <input type="radio"/>    | <input type="checkbox"/> |
|                  | TCI2V                      | 54            | H'00D8                   |                          |          | <input type="checkbox"/> | <input type="checkbox"/> |
|                  | TCI2U                      | 55            | H'00DC                   |                          |          | <input type="checkbox"/> | <input type="checkbox"/> |
| TPU_3            | TGI3A                      | 56            | H'00E0                   | IPRG10 to IPRG8          |          | <input type="radio"/>    | <input type="radio"/>    |
|                  | TGI3B                      | 57            | H'00E4                   |                          |          | <input type="radio"/>    | <input type="checkbox"/> |
|                  | TGI3C                      | 58            | H'00E8                   |                          |          | <input type="radio"/>    | <input type="checkbox"/> |
|                  | TGI3D                      | 59            | H'00EC                   |                          |          | <input type="radio"/>    | <input type="checkbox"/> |
|                  | TCI3V                      | 60            | H'00F0                   |                          |          | <input type="checkbox"/> | <input type="checkbox"/> |
|                  | Reserved for system use    | 61            | H'00F4                   |                          |          | <input type="checkbox"/> | <input type="checkbox"/> |
|                  |                            | 62            | H'00F8                   |                          |          | <input type="checkbox"/> | <input type="checkbox"/> |
| 63               |                            | H'00FC        | <input type="checkbox"/> | <input type="checkbox"/> |          |                          |                          |

| Interrupt Source | Origin of Interrupt Source | Vector Number | Vector Address*1 | IPR              | Priority | DTC Activation | DMAC Activation |
|------------------|----------------------------|---------------|------------------|------------------|----------|----------------|-----------------|
|                  |                            |               | Advanced Mode    |                  |          |                |                 |
| TPU_4            | TGI4A                      | 64            | H'0100           | IPRG6 to IPRG4   | High     | ○              | ○               |
|                  | TGI4B                      | 65            | H'0104           |                  |          | ○              | —               |
|                  | TCI4V                      | 66            | H'0108           |                  |          | —              | —               |
|                  | TCI4U                      | 67            | H'010C           |                  |          | —              | —               |
| TPU_5            | TGI5A                      | 68            | H'0110           | IPRG2 to IPRG0   |          | ○              | ○               |
|                  | TGI5B                      | 69            | H'0114           |                  |          | ○              | —               |
|                  | TCI5V                      | 70            | H'0118           |                  |          | —              | —               |
|                  | TCI5U                      | 71            | H'011C           |                  |          | —              | —               |
| TMR_0            | CMIA0                      | 72            | H'0120           | IPRH14 to IPRH12 |          | ○              | —               |
|                  | CMIB0                      | 73            | H'0124           |                  |          | ○              | —               |
|                  | OVI0                       | 74            | H'0128           |                  |          | —              | —               |
|                  | Reserved for system use    | 75            | H'012C           |                  |          | —              | —               |
| TMR_1            | CMIA1                      | 76            | H'0130           | IPRH10 to IPRH8  |          | ○              | —               |
|                  | CMIB1                      | 77            | H'0134           |                  |          | ○              | —               |
|                  | OVI1                       | 78            | H'0138           |                  |          | —              | —               |
|                  | Reserved for system use    | 79            | H'013C           |                  |          | —              | —               |
| DMAC             | DMTEND0A                   | 80            | H'0140           | IPRH6 to IPRH4   |          | ○              | —               |
|                  | DMTEND0B                   | 81            | H'0144           |                  |          | ○              | —               |
|                  | DMTEND1A                   | 82            | H'0148           |                  |          | ○              | —               |
|                  | DMTEND1B                   | 83            | H'014C           |                  |          | ○              | —               |
| EXDMAC*2         | Reserved for system use    | 84            | H'0150           | IPRH0 to IPRH0   |          | —              | —               |
|                  |                            | 85            | H'0154           | IPRI14 to IPRI12 |          | —              | —               |
|                  | EXDMTEND2                  | 86            | H'0158           | IPRI10 to IPRI8  |          | —              | —               |
|                  | EXDMTEND3                  | 87            | H'015C           | IPRI6 to IPRI4   |          | Low            | —               |

| Interrupt Source | Origin of Interrupt Source | Vector Number | Vector Address*1 | IPR              | Priority | DTC Activation | DMAC Activation |
|------------------|----------------------------|---------------|------------------|------------------|----------|----------------|-----------------|
|                  |                            |               | Advanced Mode    |                  |          |                |                 |
| SCI_0            | ERI0                       | 88            | H'0160           | IPRI2 to IPRI0   | High     | —              | —               |
|                  | RXI0                       | 89            | H'0164           |                  |          | ○              | ○               |
|                  | TXI0                       | 90            | H'0168           |                  |          | ○              | ○               |
|                  | TEI0                       | 91            | H'016C           |                  |          | —              | —               |
| SCI_1            | ERI1                       | 92            | H'0170           | IPRJ14 to IPRJ12 |          | —              | —               |
|                  | RXI1                       | 93            | H'0174           |                  |          | ○              | ○               |
|                  | TXI1                       | 94            | H'0178           |                  |          | ○              | ○               |
|                  | TEI1                       | 95            | H'017C           |                  |          | —              | —               |
| SCI_2            | ERI2                       | 96            | H'0180           | IPRJ10 to IPRJ8  |          | —              | —               |
|                  | RXI2                       | 97            | H'0184           |                  |          | ○              | —               |
|                  | TXI2                       | 98            | H'0188           |                  |          | ○              | —               |
|                  | TEI2                       | 99            | H'018C           |                  |          | —              | —               |
| SCI_3            | ERI3                       | 100           | H'0190           | IPRJ6 to IPRJ4   |          | —              | —               |
|                  | RXI3                       | 101           | H'0194           |                  |          | ○              | —               |
|                  | TXI3                       | 102           | H'0198           |                  |          | ○              | —               |
|                  | TEI3                       | 103           | H'019C           |                  |          | —              | —               |
| SCI_4            | ERI4                       | 104           | H'01A0           | IPRJ2 to IPRJ0   |          | —              | —               |
|                  | RXI4                       | 105           | H'01A4           |                  |          | ○              | —               |
|                  | TXI4                       | 106           | H'01A8           |                  |          | ○              | —               |
|                  | TEI4                       | 107           | H'01AC           |                  |          | —              | —               |
|                  | Reserved for system use    | 108           | H'01B0           | IPRK14 to IPRK12 |          | —              | —               |
|                  |                            | 109           | H'01B4           |                  |          | —              | —               |
|                  |                            | 110           | H'01B8           | —                |          | —              |                 |
|                  |                            | 111           | H'01BC           | —                |          | —              |                 |
|                  |                            | 112           | H'01C0           | IPRK10 to IPRK8  |          | —              | —               |
|                  |                            | 113           | H'01C4           |                  |          | —              | —               |
|                  |                            | 114           | H'01C8           |                  |          | —              | —               |
|                  |                            | 115           | H'01CC           |                  |          | —              | —               |

| Interrupt Source | Origin of Interrupt Source | Vector Number           | Vector Address*1 |                | Priority         | DTC Activation | DMAC Activation |   |
|------------------|----------------------------|-------------------------|------------------|----------------|------------------|----------------|-----------------|---|
|                  |                            |                         | Advanced Mode    | IPR            |                  |                |                 |   |
| IIC2             | IIC10                      | 116                     | H'01D0           | IPRK6 to IPRK4 | High<br>↑<br>Low | —              | —               |   |
|                  | Reserved for system use    | 117                     | H'01D4           |                |                  | —              | —               |   |
|                  | IIC11                      | 118                     | H'01D8           | —              |                  | —              |                 |   |
|                  | Reserved for system use    | 119                     | H'01DC           | —              |                  | —              |                 |   |
|                  | Reserved for system use    | Reserved for system use | 120              | H'01E0         |                  | IPRK2 to IPRK0 | —               | — |
|                  |                            |                         | 121              | H'01E4         |                  |                | —               | — |
|                  |                            |                         | 122              | H'01E8         |                  |                | —               | — |
|                  |                            |                         | 123              | H'01EC         |                  |                | —               | — |
|                  |                            |                         | 124              | H'01F0         |                  |                | —               | — |
|                  |                            |                         | 125              | H'01F4         |                  |                | —               | — |
|                  |                            |                         | 126              | H'01F8         |                  |                | —               | — |
|                  |                            |                         | 127              | H'01EC         |                  | —              | —               |   |

Notes: 1. Lower 16 bits of the start address.

2. Not supported for the H8S/2375, H8S/2375R, H8S/2373, and H8S/2373R.

## 5.6 Interrupt Control Modes and Interrupt Operation

The interrupt controller has two modes: interrupt control mode 0 and interrupt control mode 2. Interrupt operations differ depending on the interrupt control mode. The interrupt control mode is selected by INTCR. Table 5.3 shows the differences between interrupt control mode 0 and interrupt control mode 2.

**Table 5.3 Interrupt Control Modes**

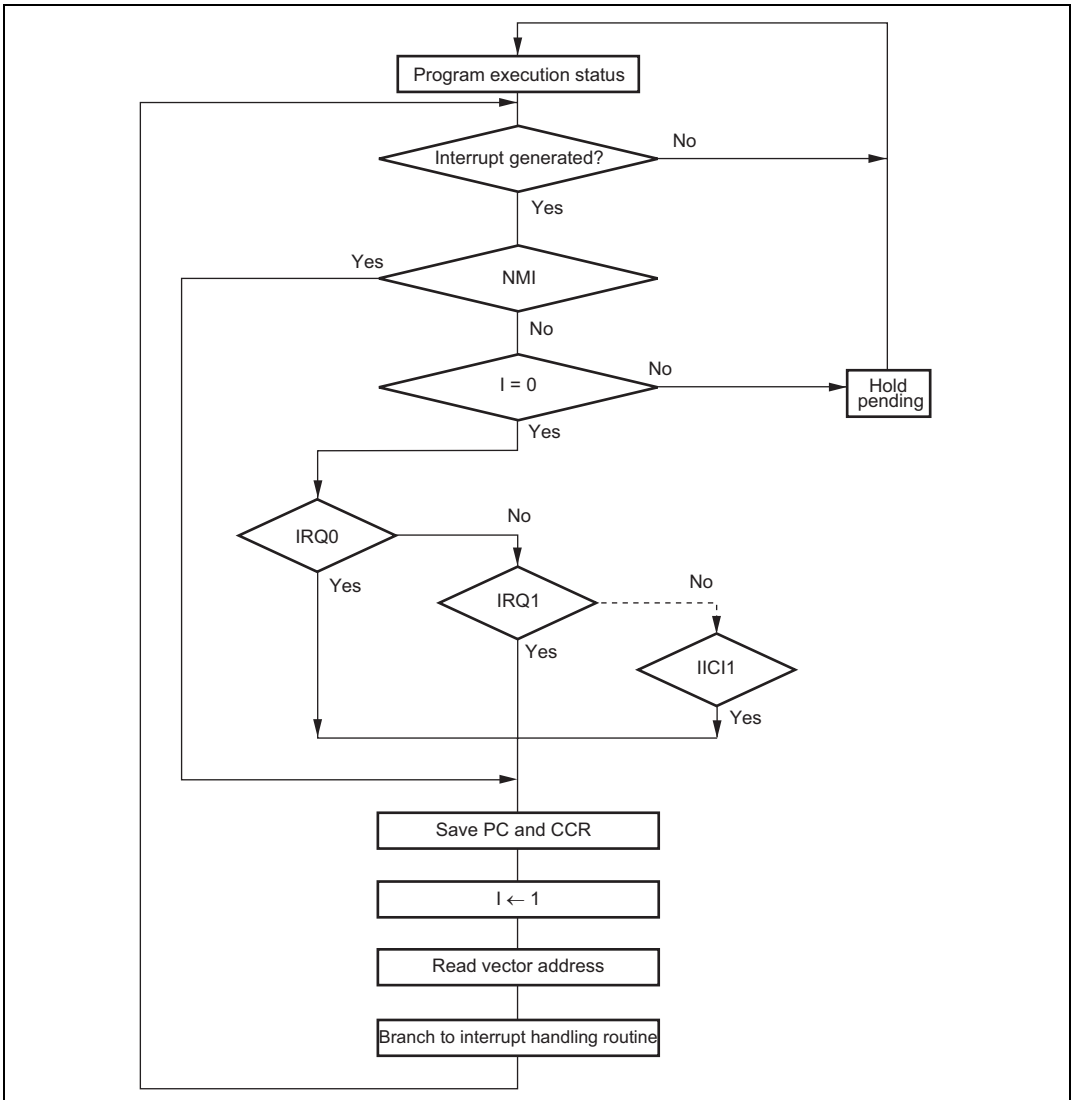
| Interrupt Control Mode | Priority Setting Registers | Interrupt Mask Bits | Description  |
|------------------------|----------------------------|---------------------|--|
| 0                      | Default                    | I                   | The priorities of interrupt sources are fixed at the default settings.<br>Interrupt sources except for NMI is masked by the I bit. |
| 2                      | IPR                        | I2 to I0            | 8 priority levels except for NMI can be set with IPR.<br>8-level interrupt mask control is performed by bits I2 to I0.             |

### 5.6.1 Interrupt Control Mode 0

In interrupt control mode 0, interrupt requests except for NMI is masked by the I bit of CCR in the CPU. Figure 5.3 shows a flowchart of the interrupt acceptance operation in this case.

1. If an interrupt source occurs when the corresponding interrupt enable bit is set to 1, an interrupt request is sent to the interrupt controller.
2. If the I bit is set to 1, only an NMI interrupt is accepted, and other interrupt requests are held pending. If the I bit is cleared, an interrupt request is accepted.
3. Interrupt requests are sent to the interrupt controller, the highest-ranked interrupt according to the priority system is accepted, and other interrupt requests are held pending.
4. When the CPU accepts an interrupt request, it starts interrupt exception handling after execution of the current instruction has been completed.
5. The PC and CCR are saved to the stack area by interrupt exception handling. The PC saved on the stack shows the address of the first instruction to be executed after returning from the interrupt handling routine.
6. Next, the I bit in CCR is set to 1. This masks all interrupts except NMI.

7. The CPU generates a vector address for the accepted interrupt and starts execution of the interrupt handling routine at the address indicated by the contents of the vector address in the vector table.



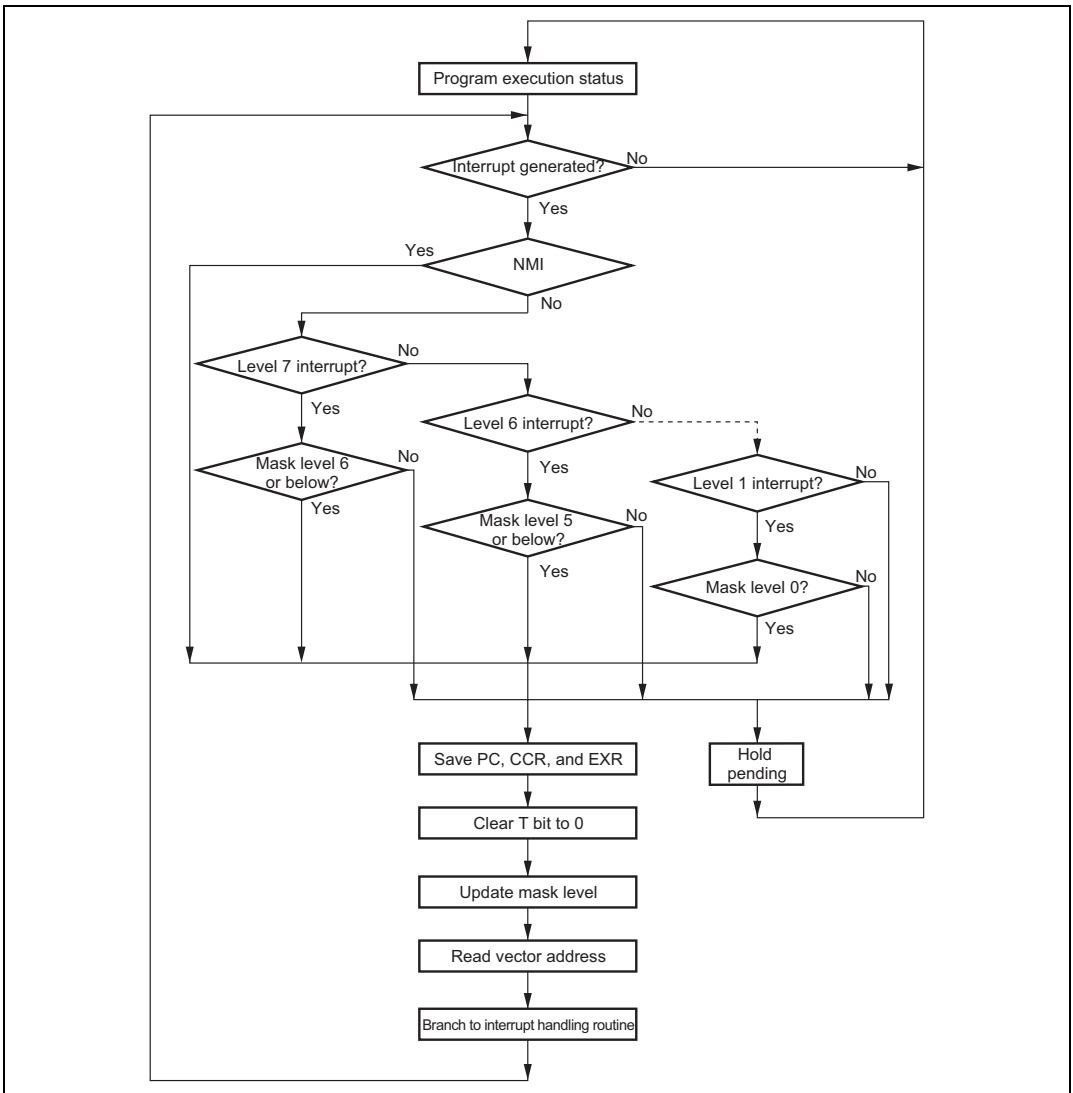
**Figure 5.3 Flowchart of Procedure Up to Interrupt Acceptance in Interrupt Control Mode 0**



### 5.6.2 Interrupt Control Mode 2

In interrupt control mode 2, mask control is done in eight levels for interrupt requests except for NMI by comparing the EXR interrupt mask level (I2 to I0 bits) in the CPU and the IPR setting. Figure 5.4 shows a flowchart of the interrupt acceptance operation in this case.

1. If an interrupt source occurs when the corresponding interrupt enable bit is set to 1, an interrupt request is sent to the interrupt controller.
2. When interrupt requests are sent to the interrupt controller, the interrupt with the highest priority according to the interrupt priority levels set in IPR is selected, and lower-priority interrupt requests are held pending. If a number of interrupt requests with the same priority are generated at the same time, the interrupt request with the highest priority according to the priority system shown in table 5.2 is selected.
3. Next, the priority of the selected interrupt request is compared with the interrupt mask level set in EXR. An interrupt request with a priority no higher than the mask level set at that time is held pending, and only an interrupt request with a priority higher than the interrupt mask level is accepted.
4. When the CPU accepts an interrupt request, it starts interrupt exception handling after execution of the current instruction has been completed.
5. The PC, CCR, and EXR are saved to the stack area by interrupt exception handling. The PC saved on the stack shows the address of the first instruction to be executed after returning from the interrupt handling routine.
6. The T bit in EXR is cleared to 0. The interrupt mask level is rewritten with the priority level of the accepted interrupt.  
If the accepted interrupt is NMI, the interrupt mask level is set to H'7.
7. The CPU generates a vector address for the accepted interrupt and starts execution of the interrupt handling routine at the address indicated by the contents of the vector address in the vector table.



**Figure 5.4 Flowchart of Procedure Up to Interrupt Acceptance in Interrupt Control Mode 2**

### 5.6.3 Interrupt Exception Handling Sequence

Figure 5.5 shows the interrupt exception handling sequence. The example shown is for the case where interrupt control mode 0 is set in advanced mode, and the program area and stack area are in on-chip memory.

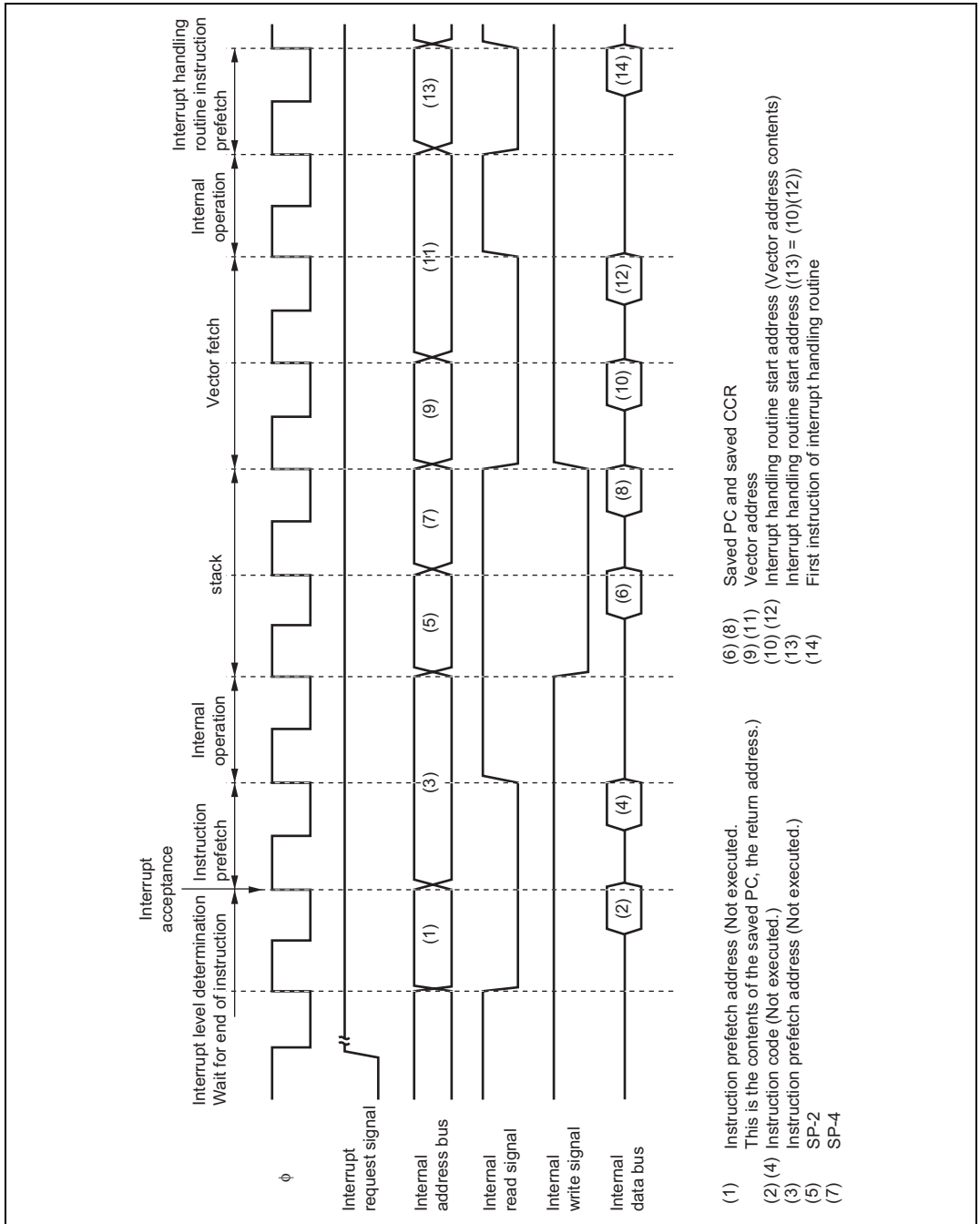


Figure 5.5 Interrupt Exception Handling

### 5.6.4 Interrupt Response Times

Table 5.4 shows interrupt response times - the interval between generation of an interrupt request and execution of the first instruction in the interrupt handling routine. The execution status symbols used in table 5.4 are explained in table 5.5.

This LSI is capable of fast word transfer to on-chip memory, and have the program area in on-chip ROM and the stack area in on-chip RAM, enabling high-speed processing.

**Table 5.4 Interrupt Response Times**

| No.                          | Execution Status   | Normal Mode* <sup>5</sup>  |                            | Advanced Mode              |                            |
|------------------------------|--|----------------------------|----------------------------|----------------------------|----------------------------|
|                              |  | Interrupt control mode 0   | Interrupt control mode 2   | Interrupt control mode 0   | Interrupt control mode 2   |
| 1                            | Interrupt priority determination* <sup>1</sup>                       | 3                          | 3                          | 3                          | 3                          |
| 2                            | Number of wait states until executing instruction ends* <sup>2</sup> | 1 to 19 + 2·S <sub>I</sub> | 1 to 19 + 2·S <sub>I</sub> | 1 to 19 + 2·S <sub>I</sub> | 1 to 19 + 2·S <sub>I</sub> |
| 3                            | PC, CCR, EXR stack save  | 2·S <sub>K</sub>           | 3·S <sub>K</sub>           | 2·S <sub>K</sub>           | 3·S <sub>K</sub>           |
| 4                            | Vector fetch   | S <sub>I</sub>             | S <sub>I</sub>             | 2·S <sub>I</sub>           | 2·S <sub>I</sub>           |
| 5                            | Instruction fetch* <sup>3</sup>                                      | 2·S <sub>I</sub>           | 2·S <sub>I</sub>           | 2·S <sub>I</sub>           | 2·S <sub>I</sub>           |
| 6                            | Internal processing* <sup>4</sup>                                    | 2                          | 2                          | 2                          | 2                          |
| Total (using on-chip memory) |  | 11 to 31                   | 12 to 32                   | 12 to 32                   | 13 to 33                   |

- Notes:
1. Two states in case of internal interrupt.
  2. Refers to MULXS and DIVXS instructions.
  3. Prefetch after interrupt acceptance and interrupt handling routine prefetch.
  4. Internal processing after interrupt acceptance and internal processing after vector fetch.
  5. Not available in this LSI.

**Table 5.5 Number of States in Interrupt Handling Routine Execution Statuses**

| Symbol                    | Object of Access   |                   |                   |                   |                   |
|---------------------------|--------------------|-------------------|-------------------|-------------------|-------------------|
|                           | Internal<br>Memory | External Device   |                   |                   |                   |
|                           |                    | 8 Bit Bus         |                   | 16 Bit Bus        |                   |
|                           |                    | 2-State<br>Access | 3-State<br>Access | 2-State<br>Access | 3-State<br>Access |
| Instruction fetch $S_i$   | 1                  | 4                 | 6+2m              | 2                 | 3+m               |
| Branch address read $S_j$ |                    |                   |                   |                   |                   |
| Stack manipulation $S_k$  |                    |                   |                   |                   |                   |

Legend:

m: Number of wait states in an external device access.

### 5.6.5 DTC and DMAC Activation by Interrupt

The DTC and DMAC can be activated by an interrupt. In this case, the following options are available:

- Interrupt request to CPU
- Activation request to DTC
- Activation request to DMAC
- Selection of a number of the above

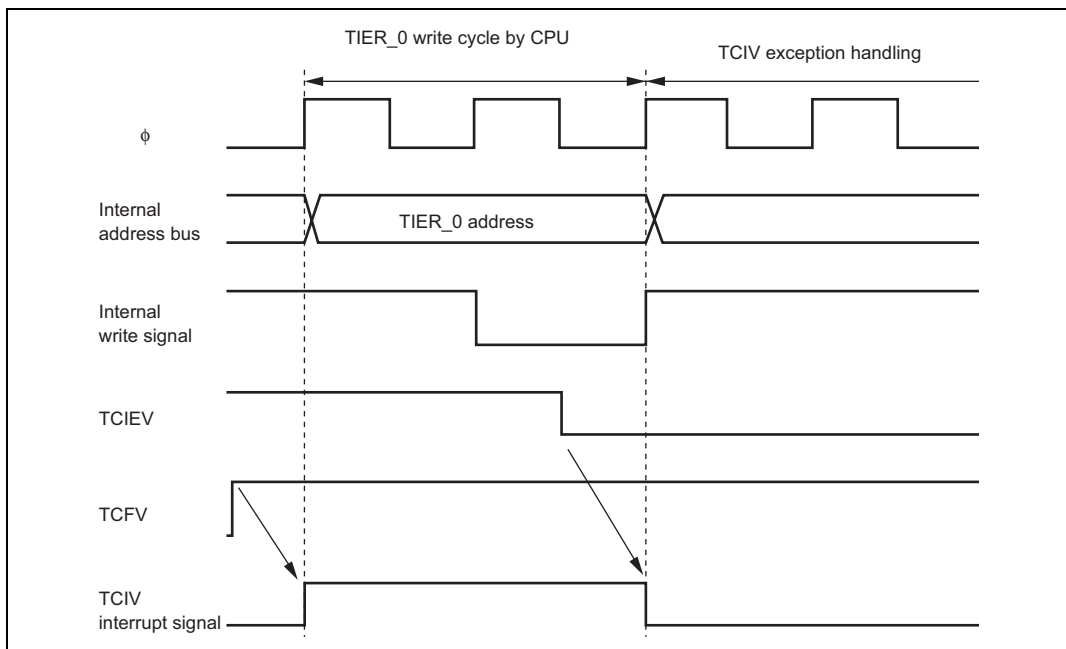
For details of interrupt requests that can be used to activate the DTC and DMAC, see table 5.2 and section 9, Data Transfer Controller (DTC) and section 7, DMA Controller (DMAC).

## 5.7 Usage Notes

### 5.7.1 Conflict between Interrupt Generation and Disabling

When an interrupt enable bit is cleared to 0 to mask interrupts, the masking becomes effective after execution of the instruction.

When an interrupt enable bit is cleared to 0 by an instruction such as BCLR or MOV, if an interrupt is generated during execution of the instruction, the interrupt concerned will still be enabled on completion of the instruction, and so interrupt exception handling for that interrupt will be executed on completion of the instruction. However, if there is an interrupt request of higher priority than that interrupt, interrupt exception handling will be executed for the higher-priority interrupt, and the lower-priority interrupt will be ignored. The same also applies when an interrupt source flag is cleared to 0. Figure 5.6 shows an example in which the TCIEV bit in the TPU's TIER\_0 register is cleared to 0. The above conflict will not occur if an enable bit or interrupt source flag is cleared to 0 while the interrupt is masked.



**Figure 5.6 Conflict between Interrupt Generation and Disabling**

### 5.7.2 Instructions that Disable Interrupts

Instructions that disable interrupts are LDC, ANDC, ORC, and XORC. After any of these instructions is executed, all interrupts including NMI are disabled and the next instruction is always executed. When the I bit is set by one of these instructions, the new value becomes valid two states after execution of the instruction ends.

### 5.7.3 Times when Interrupts Are Disabled

There are times when interrupt acceptance is disabled by the interrupt controller.

The interrupt controller disables interrupt acceptance for a 3-state period after the CPU has updated the mask level with an LDC, ANDC, ORC, or XORC instruction.

### 5.7.4 Interrupts during Execution of EEPMOV Instruction

Interrupt operation differs between the EEPMOV.B instruction and the EEPMOV.W instruction.

With the EEPMOV.B instruction, an interrupt request (including NMI) issued during the transfer is not accepted until the transfer is completed.

With the EEPMOV.W instruction, if an interrupt request is issued during the transfer, interrupt exception handling starts at a break in the transfer cycle. The PC value saved on the stack in this case is the address of the next instruction. Therefore, if an interrupt is generated during execution of an EEPMOV.W instruction, the following coding should be used.

```
L1:    EEPMOV.W
      MOV.W    R4, R4
      BNE     L1
```

### 5.7.5 Change of IRQ Pin Select Register (ITSR) Setting

When the ITSR setting is changed, an edge occurs internally and the IRQnF bit ( $n = 0$  to 15) of ISR may be set to 1 at the unintended timing if the selected pin level before the change is different from the selected pin level after the change. If the IRQn interrupt request ( $n = 0$  to 15) is enabled, the interrupt exception handling is executed. To prevent the unintended interrupt, ITSR setting should be changed while the IRQn interrupt request is disabled, then the IRQnF bit should be cleared to 0.

### 5.7.6 IRQ Status Register (ISR)

Depending on the pin status following a reset, IRQnF may be set to 1. Therefore, always read ISR and clear it to 0 after resets.



## Section 6 Bus Controller (BSC)

This LSI has an on-chip bus controller (BSC) that manages the external address space divided into eight areas.

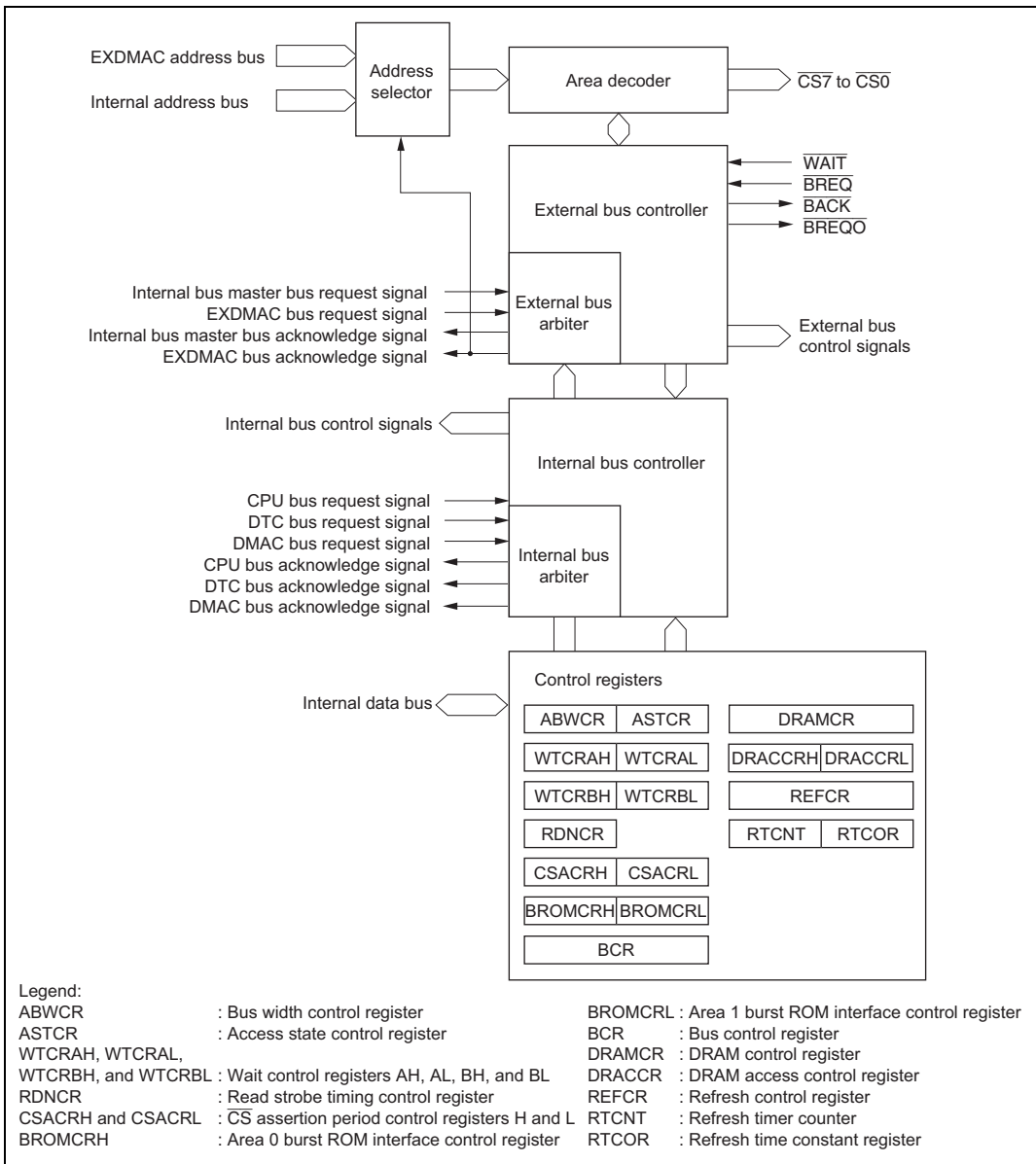
The bus controller also has a bus arbitration function, and controls the operation of the bus mastership—the CPU, DMA controller (DMAC), EXDMA controller (EXDMAC)\*, and data transfer controller (DTC). A block diagram of the bus controller is shown in figure 6.1.

Note: \* The EXDMAC is not supported by the H8S/2375, H8S/2375R, H8S/2373, and H8S/2373R.

### 6.1 Features

- Manages external address space in area units  
Manages the external address space divided into eight areas of 2 Mbytes  
Bus specifications can be set independently for each area  
Burst ROM, DRAM, or synchronous DRAM interface\* can be set
- Basic bus interface  
Chip select signals ( $\overline{CS0}$  to  $\overline{CS7}$ ) can be output for areas 0 to 7  
8-bit access or 16-bit access can be selected for each area  
2-state access or 3-state access can be selected for each area  
Program wait states can be inserted for each area
- Burst ROM interface  
Burst ROM interface can be set independently for areas 0 and 1
- DRAM interface  
DRAM interface can be set for areas 2 to 5
- Synchronous DRAM interface\*  
Continuous synchronous DRAM space can be set for areas 2 to 5
- Bus arbitration function  
Includes a bus arbiter that arbitrates bus mastership between the CPU, DMAC, DTC, and EXDMAC

Note: \* The Synchronous DRAM interface is not supported by the H8S/2378 Group.



**Figure 6.1 Block Diagram of Bus Controller**

## 6.2 Input/Output Pins

Table 6.1 shows the pin configuration of the bus controller.

**Table 6.1 Pin Configuration**

| Name   | Symbol   | I/O    | Function   |
|--|--|--------|--|
| Address strobe   | $\overline{AS}$  | Output | Strobe signal indicating that normal space is accessed and address output on address bus is enabled.   |
| Read   | $\overline{RD}$  | Output | Strobe signal indicating that normal space is being read.  |
| High write/write enable  | $\overline{HWR/WE}$  | Output | Strobe signal indicating that normal space is written to, and upper half (D15 to D8) of data bus is enabled or DRAM space write enable signal.   |
| Low write  | $\overline{LWR}$   | Output | Strobe signal indicating that normal space is written to, and lower half (D7 to D0) of data bus is enabled.  |
| Chip select 0  | $\overline{CS0}$   | Output | Strobe signal indicating that area 0 is selected.  |
| Chip select 1  | $\overline{CS1}$   | Output | Strobe signal indicating that area 1 is selected   |
| Chip select 2/<br>row address strobe 2/<br>row address strobe <sup>*1</sup>    | $\overline{CS2}/$<br>$\overline{RAS2}/$<br>$\overline{RAS}^{*1}$ | Output | Strobe signal indicating that area 2 is selected, DRAM row address strobe signal when area 2 is DRAM space or areas 2 to 5 are set as continuous DRAM space, or row address strobe signal of the synchronous DRAM when the synchronous DRAM interface is selected. |
| Chip select 3/<br>row address strobe 3/<br>column address strobe <sup>*1</sup> | $\overline{CS3}/$<br>$\overline{RAS3}/$<br>$\overline{CAS}^{*1}$ | Output | Strobe signal indicating that area 3 is selected, DRAM row address strobe signal when area 3 is DRAM space, or column address strobe signal of the synchronous DRAM when the synchronous DRAM interface is selected.   |

| Name  | Symbol  | I/O    | Function   |
|---|---|--------|--|
| Chip select 4/<br>row address strobe 4/<br>write enable* <sup>1</sup> | $\overline{CS4}/$<br>$\overline{RAS4}/$<br>$\overline{WE}^{*1}$ | Output | Strobe signal indicating that area 4 is selected, DRAM row address strobe signal when area 4 is DRAM space, or write enable signal of the synchronous DRAM when the synchronous DRAM interface is selected.        |
| Chip select 5/<br>row address strobe 5/<br>SDRAM $\phi^{*1}$          | $\overline{CS5}/$<br>$\overline{RAS5}/$<br>SDRAM $\phi^{*1}$    | Output | Strobe signal indicating that area 5 is selected, DRAM row address strobe signal when area 5 is DRAM space, or dedicated clock signal for the synchronous DRAM when the synchronous DRAM interface is selected.    |
| Chip select 6   | $\overline{CS6}$  | Output | Strobe signal indicating that area 6 is selected.  |
| Chip select 7   | $\overline{CS7}$  | Output | Strobe signal indicating that area 7 is selected.  |
| Upper column address strobe/<br>upper data mask enable* <sup>1</sup>  | $\overline{UCAS}/$<br>DQMU* <sup>1</sup>                        | Output | 16-bit DRAM space upper column address strobe signal, 8-bit DRAM space column address strobe signal, upper data mask signal of 16-bit synchronous DRAM space, or data mask signal of 8-bit synchronous DRAM space. |
| Lower column address strobe/<br>lower data mask enable* <sup>1</sup>  | $\overline{LCAS}/$<br>DQML* <sup>1</sup>                        | Output | 16-bit DRAM space lower column address strobe signal or lower data mask signal for the 16-bit synchronous DRAM space.  |
| Output enable/clock enable  | $\overline{OE}/$<br>CKE* <sup>1</sup>                           | Output | Output enable signal for the DRAM space or clock enable signal for the synchronous DRAM space.   |
| Wait  | $\overline{WAIT}$   | Input  | Wait request signal when accessing external address space.   |
| Bus request   | $\overline{BREQ}$   | Input  | Request signal for release of bus to external bus master.  |
| Bus request acknowledge   | $\overline{BACK}$   | Output | Acknowledge signal indicating that bus has been released to external bus master.   |
| Bus request output  | $\overline{BREQO}$  | Output | External bus request signal used when internal bus master accesses external address space when external bus is released.   |

| <b>Name</b>  | <b>Symbol</b>                   | <b>I/O</b>                | <b>Function</b>   |
|--|---------------------------------|---------------------------|---|
| Data transfer acknowledge 1 (DMAC)                 | $\overline{\text{DACK1}}$       | Output                    | Data transfer acknowledge signal for single address transfer by DMAC channel 1.   |
| Data transfer acknowledge 0 (DMAC)                 | $\overline{\text{DACK0}}$       | $\overline{\text{DACK0}}$ | Data transfer acknowledge signal for single address transfer by DMAC channel 0.   |
| Data transfer acknowledge 3* <sup>2</sup> (EXDMAC) | $\overline{\text{EDACK3}}^{*2}$ | Output                    | Data transfer acknowledge signal for single address transfer by EXDMAC channel 3. |
| Data transfer acknowledge 2* <sup>2</sup> (EXDMAC) | $\overline{\text{EDACK2}}^{*2}$ | Output                    | Data transfer acknowledge signal for single address transfer by EXDMAC channel 2. |

Notes: 1. Not supported by the H8S/2378 Group.

2. Not supported by the H8S/2375, H8S/2375R, H8S/2373, and H8S/2373R.

## 6.3 Register Descriptions

The bus controller has the following registers.

- Bus width control register (ABWCR)
- Access state control register (ASTCR)
- Wait control register AH (WTCRAH)
- Wait control register AL (WTCRAL)
- Wait control register BH (WTCRBH)
- Wait control register BL (WTCRBL)
- Read strobe timing control register (RDNCR)
- $\overline{CS}$  assertion period control register H (CSACRH)
- $\overline{CS}$  assertion period control register L (CSACRL)
- Area 0 burst ROM interface control register (BROMCRH)
- Area 1 burst ROM interface control register (BROMCRL)
- Bus control register (BCR)
- DRAM control register (DRAMCR)
- DRAM access control register (DRACCR)
- Refresh control register (REFCR)
- Refresh timer counter (RTCNT)
- Refresh time constant register (RTCOR)

### 6.3.1 Bus Width Control Register (ABWCR)

ABWCR designates each area in the external address space as either 8-bit access space or 16-bit access space.

| Bit | Bit Name | Initial Value* | R/W | Description   |
|-----|----------|----------------|-----|---|
| 7   | ABW7     | 1/0            | R/W | Area 7 to 0 Bus Width Control   |
| 6   | ABW6     | 1/0            | R/W | These bits select whether the corresponding area is to be designated as 8-bit access space or 16-bit access space.<br>0: Area n is designated as 16-bit access space<br>1: Area n is designated as 8-bit access space<br>(n = 7 to 0) |
| 5   | ABW5     | 1/0            | R/W |   |
| 4   | ABW4     | 1/0            | R/W |   |
| 3   | ABW3     | 1/0            | R/W |   |
| 2   | ABW2     | 1/0            | R/W |   |
| 1   | ABW1     | 1/0            | R/W |   |
| 0   | ABW0     | 1/0            | R/W |   |

Note: \* In modes 2 and 4, ABWCR is initialized to 1. In modes 1 and 7, ABWCR is initialized to 0.

### 6.3.2 Access State Control Register (ASTCR)

ASTCR designates each area in the external address space as either 2-state access space or 3-state access space.

| Bit | Bit Name | Initial Value | R/W | Description  |
|-----|----------|---------------|-----|--|
| 7   | AST7     | 1             | R/W | Area 7 to 0 Access State Control   |
| 6   | AST6     | 1             | R/W | These bits select whether the corresponding area is to be designated as 2-state access space or 3-state access space. Wait state insertion is enabled or disabled at the same time.<br>0: Area n is designated as 2-state access space<br>Wait state insertion in area n access is disabled<br>1: Area n is designated as 3-state access space<br>Wait state insertion in area n access is enabled<br>(n = 7 to 0) |
| 5   | AST5     | 1             | R/W |  |
| 4   | AST4     | 1             | R/W |  |
| 3   | AST3     | 1             | R/W |  |
| 2   | AST2     | 1             | R/W |  |
| 1   | AST1     | 1             | R/W |  |
| 0   | AST0     | 1             | R/W |  |

### 6.3.3 Wait Control Registers AH, AL, BH, and BL (WTCRAH, WTCRAL, WTCRBH, and WTCRBL)

WTCRA and WTCRB select the number of program wait states for each area in the external address space.

In addition, CAS latency is set when a synchronous DRAM is connected.

- WTCRAH

| Bit | Bit Name | Initial Value | R/W | Description  |  |
|-----|----------|---------------|-----|--|--|
| 15  | —        | 0             | R   | Reserved<br>This bit is always read as 0 and cannot be modified.   |  |
| 14  | W72      | 1             | R/W | Area 7 Wait Control 2 to 0   |  |
| 13  | W71      | 1             | R/W | These bits select the number of program wait states when accessing area 7 while AST7 bit in ASTCR = 1.<br>000: Program wait not inserted<br>001: 1 program wait state inserted<br>010: 2 program wait states inserted<br>011: 3 program wait states inserted<br>100: 4 program wait states inserted<br>101: 5 program wait states inserted<br>110: 6 program wait states inserted<br>111: 7 program wait states inserted |  |
| 12  | W70      | 1             | R/W |  |  |
| 11  | —        | 0             | R   |  | Reserved<br>This bit is always read as 0 and cannot be modified. |



| Bit | Bit Name | Initial Value | R/W | Description  |
|-----|----------|---------------|-----|--|
| 10  | W62      | 1             | R/W | Area 6 Wait Control 2 to 0   |
| 9   | W61      | 1             | R/W | These bits select the number of program wait states when accessing area 6 while AST6 bit in ASTCR = 1.<br><br>000: Program wait not inserted<br>001: 1 program wait state inserted<br>010: 2 program wait states inserted<br>011: 3 program wait states inserted<br>100: 4 program wait states inserted<br>101: 5 program wait states inserted<br>110: 6 program wait states inserted<br>111: 7 program wait states inserted |
| 8   | W60      | 1             | R/W |  |

## • WTCRAL

| Bit | Bit Name | Initial Value | R/W | Description  |  |
|-----|----------|---------------|-----|--|--|
| 7   | —        | 0             | R   | Reserved<br>This bit is always read as 0 and cannot be modified.   |  |
| 6   | W52      | 1             | R/W | Area 5 Wait Control 2 to 0   |  |
| 5   | W51      | 1             | R/W | These bits select the number of program wait states when accessing area 5 while AST5 bit in ASTCR = 1.<br>000: Program wait not inserted<br>001: 1 program wait state inserted<br>010: 2 program wait states inserted<br>011: 3 program wait states inserted<br>100: 4 program wait states inserted<br>101: 5 program wait states inserted<br>110: 6 program wait states inserted<br>111: 7 program wait states inserted |  |
| 4   | W50      | 1             | R/W |  |  |
| 3   | —        | 0             | R   |  | Reserved<br>This bit is always read as 0 and cannot be modified.   |
| 2   | W42      | 1             | R/W |  | Area 4 Wait Control 2 to 0   |
| 1   | W41      | 1             | R/W |  | These bits select the number of program wait states when accessing area 4 while AST4 bit in ASTCR = 1.<br>000: Program wait not inserted<br>001: 1 program wait state inserted<br>010: 2 program wait states inserted<br>011: 3 program wait states inserted<br>100: 4 program wait states inserted<br>101: 5 program wait states inserted<br>110: 6 program wait states inserted<br>111: 7 program wait states inserted |
| 0   | W40      | 1             | R/W |  |  |

- WTCRBH

| Bit | Bit Name | Initial Value | R/W | Description  |  |
|-----|----------|---------------|-----|--|--|
| 15  | —        | 0             | R   | Reserved<br>This bit is always read as 0 and cannot be modified.   |  |
| 14  | W32      | 1             | R/W | Area 3 Wait Control 2 to 0   |  |
| 13  | W31      | 1             | R/W | These bits select the number of program wait states when accessing area 3 while AST3 bit in ASTCR = 1.<br>000: Program wait not inserted<br>001: 1 program wait state inserted<br>010: 2 program wait states inserted<br>011: 3 program wait states inserted<br>100: 4 program wait states inserted<br>101: 5 program wait states inserted<br>110: 6 program wait states inserted<br>111: 7 program wait states inserted |  |
| 12  | W30      | 1             | R/W |  |  |
| 11  | —        | 0             | R   |  | Reserved<br>This bit is always read as 0 and cannot be modified. |

| Bit  | Bit Name | Initial Value | R/W | Description  |
|--|----------|---------------|-----|--|
| 10   | W22      | 1             | R/W | Area 2 Wait Control 2 to 0   |
| 9  | W21      | 1             | R/W | These bits select the number of program wait states when accessing area 2 while AST2 bit in ASTCR = 1. |
| 8  | W20      | 1             | R/W |  |
| <p>A CAS latency is set when the synchronous DRAM is connected*. The setting of area 2 is reflected to the setting of areas 2 to 5. A CAS latency can be set regardless of whether or not an ASTCR wait state insertion is enabled.</p> <p>000: Program wait not inserted<br/> 001: 1 program wait state inserted<br/> 010: 2 program wait states inserted<br/> 011: 3 program wait states inserted<br/> 100: 4 program wait states inserted<br/> 101: 5 program wait states inserted<br/> 110: 6 program wait states inserted<br/> 111: 7 program wait states inserted</p> <p>000: Synchronous DRAM of CAS latency 1 is connected to areas 2 to 5.<br/> 001: Synchronous DRAM of CAS latency 2 is connected to areas 2 to 5.<br/> 010: Synchronous DRAM of CAS latency 3 is connected to areas 2 to 5.<br/> 011: Synchronous DRAM of CAS latency 4 is connected to areas 2 to 5.<br/> 1xxx: Setting prohibited.</p> |          |               |     |  |

Legend: x: Don't care.

Note: \* The synchronous DRAM interface is not supported by the H8S/2378 Group.

- WTCRBL

| Bit | Bit Name | Initial Value | R/W | Description  |  |
|-----|----------|---------------|-----|--|--|
| 7   | —        | 0             | R   | Reserved<br>This bit is always read as 0 and cannot be modified.   |  |
| 6   | W12      | 1             | R/W | Area 1 Wait Control 2 to 0   |  |
| 5   | W11      | 1             | R/W | These bits select the number of program wait states when accessing area 1 while AST1 bit in ASTCR = 1.<br>000: Program wait not inserted<br>001: 1 program wait state inserted<br>010: 2 program wait states inserted<br>011: 3 program wait states inserted<br>100: 4 program wait states inserted<br>101: 5 program wait states inserted<br>110: 6 program wait states inserted<br>111: 7 program wait states inserted |  |
| 4   | W10      | 1             | R/W |  |  |
| 3   | —        | 0             | R   |  | Reserved<br>This bit is always read as 0 and cannot be modified.   |
| 2   | W02      | 1             | R/W |  | Area 0 Wait Control 2 to 0   |
| 1   | W01      | 1             | R/W |  | These bits select the number of program wait states when accessing area 0 while AST0 bit in ASTCR = 1.<br>000: Program wait not inserted<br>001: 1 program wait state inserted<br>010: 2 program wait states inserted<br>011: 3 program wait states inserted<br>100: 4 program wait states inserted<br>101: 5 program wait states inserted<br>110: 6 program wait states inserted<br>111: 7 program wait states inserted |
| 0   | W00      | 1             | R/W |  |  |

### 6.3.4 Read Strobe Timing Control Register (RDNCR)

RDNCR selects the read strobe signal ( $\overline{RD}$ ) negation timing in a basic bus interface read access.

| Bit | Bit Name | Initial Value | R/W | Description  |
|-----|----------|---------------|-----|--|
| 7   | RDN7     | 0             | R/W | Read Strobe Timing Control 7 to 0  |
| 6   | RDN6     | 0             | R/W | These bits set the negation timing of the read strobe in a corresponding area read access.   |
| 5   | RDN5     | 0             | R/W |  |
| 4   | RDN4     | 0             | R/W | As shown in figure 6.2, the read strobe for an area for which the RDNn bit is set to 1 is negated one half-state earlier than that for an area for which the RDNn bit is cleared to 0. The read data setup and hold time specifications are also one half-state earlier. |
| 3   | RDN3     | 0             | R/W |  |
| 2   | RDN2     | 0             | R/W |  |
| 1   | RDN1     | 0             | R/W |  |
| 0   | RDN0     | 0             | R/W |  |

0: In an area n read access, the  $\overline{RD}$  is negated at the end of the read cycle

1: In an area n read access, the  $\overline{RD}$  is negated one half-state before the end of the read cycle

(n = 7 to 0)

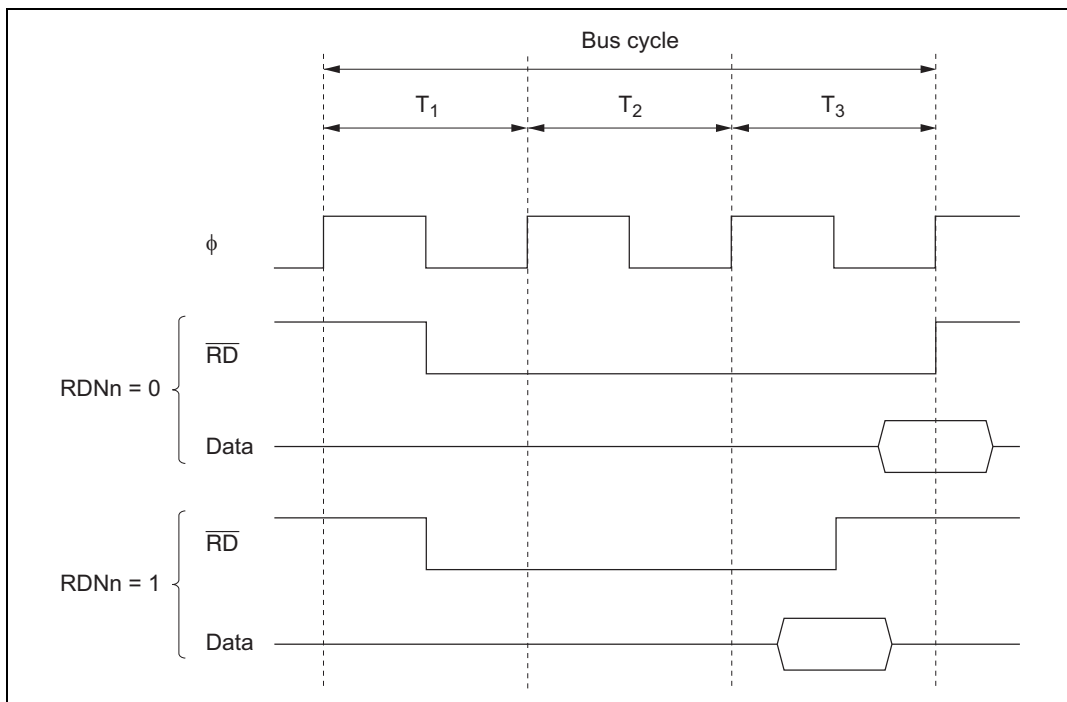


Figure 6.2 Read Strobe Negation Timing (Example of 3-State Access Space)

### 6.3.5 $\overline{CS}$ Assertion Period Control Registers H, L (CSACRH, CSACRL)

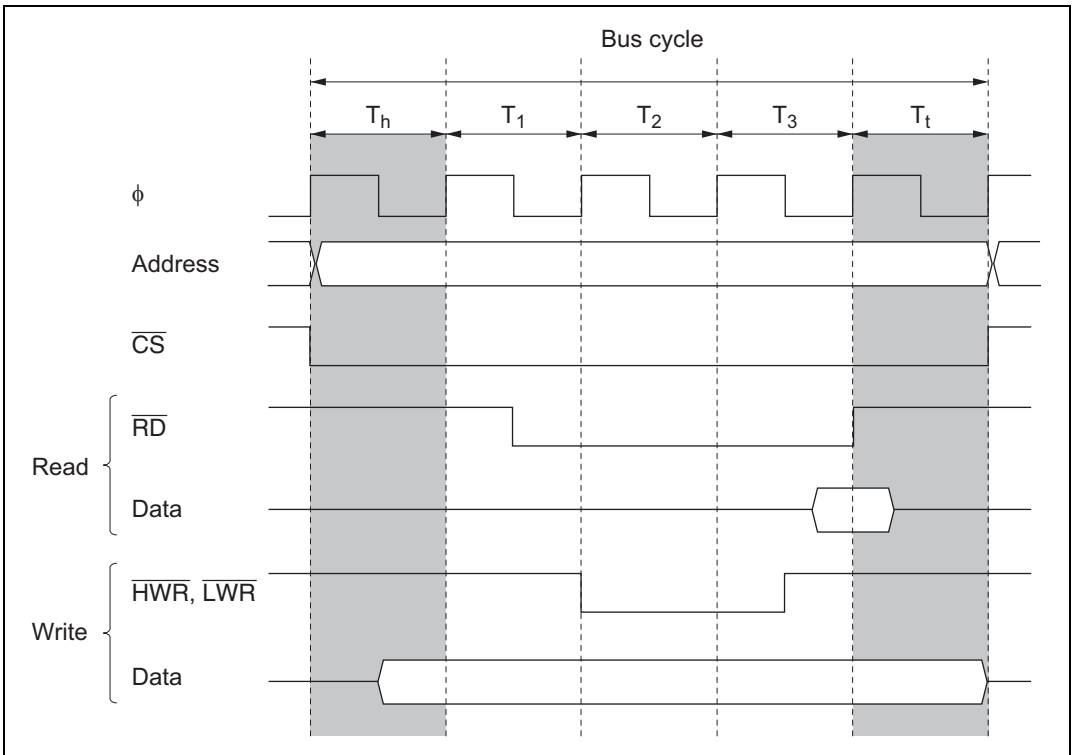
CSACRH and CSACRL select whether or not the assertion period of the basic bus interface chip select signals ( $\overline{CSn}$ ) and address signals is to be extended. Extending the assertion period of the  $\overline{CSn}$  and address signals allows flexible interfacing to external I/O devices.

- CSACRH

| Bit | Bit Name | Initial Value | R/W | Description   |
|-----|----------|---------------|-----|---|
| 7   | CSXH7    | 0             | R/W | $\overline{CS}$ and Address Signal Assertion Period Control 1   |
| 6   | CSXH6    | 0             | R/W | These bits specify whether or not the $T_h$ cycle is to be inserted (see figure 6.3). When an area for which the CSXHn bit is set to 1 is accessed, a one-state $T_h$ cycle, in which only the $\overline{CSn}$ and address signals are asserted, is inserted before the normal access cycle.<br>0: In area n basic bus interface access, the $\overline{CSn}$ and address assertion period ( $T_h$ ) is not extended<br>1: In area n basic bus interface access, the $\overline{CSn}$ and address assertion period ( $T_h$ ) is extended<br>(n = 7 to 0) |
| 5   | CSXH5    | 0             | R/W |   |
| 4   | CSXH4    | 0             | R/W |   |
| 3   | CSXH3    | 0             | R/W |   |
| 2   | CSXH2    | 0             | R/W |   |
| 1   | CSXH1    | 0             | R/W |   |
| 0   | CSXH0    | 0             | R/W |   |

- CSACRL

| Bit | Bit Name | Initial Value | R/W | Description   |
|-----|----------|---------------|-----|---|
| 7   | CSXT7    | 0             | R/W | $\overline{CS}$ and Address Signal Assertion Period Control 2   |
| 6   | CSXT6    | 0             | R/W | These bits specify whether or not the $T_t$ cycle shown in figure 6.3 is to be inserted. When an area for which the CSXTn bit is set to 1 is accessed, a one-state $T_t$ cycle, in which only the $\overline{CSn}$ and address signals are asserted, is inserted after the normal access cycle.<br>0: In area n basic bus interface access, the $\overline{CSn}$ and address assertion period ( $T_t$ ) is not extended<br>1: In area n basic bus interface access, the $\overline{CSn}$ and address assertion period ( $T_t$ ) is extended<br>(n = 7 to 0) |
| 5   | CSXT5    | 0             | R/W |   |
| 4   | CSXT4    | 0             | R/W |   |
| 3   | CSXT3    | 0             | R/W |   |
| 2   | CSXT2    | 0             | R/W |   |
| 1   | CSXT1    | 0             | R/W |   |
| 0   | CSXT0    | 0             | R/W |   |



**Figure 6.3  $\overline{CS}$  and Address Assertion Period Extension**  
(Example of 3-State Access Space and  $RDNn = 0$ )



### 6.3.6 Area 0 Burst ROM Interface Control Register (BROMCRH) Area 1 Burst ROM Interface Control Register (BROMCRL)

BROMCRH and BROMCRL are used to make burst ROM interface settings. Area 0 and area 1 burst ROM interface settings can be made independently in BROMCRH and BROMCRL, respectively.

| Bit  | Bit Name | Initial Value | R/W | Description  |
|------|----------|---------------|-----|--|
| 7    | BSRMn    | 0             | R/W | Burst ROM Interface Select<br>Selects the basic bus interface or burst ROM interface.<br>0: Basic bus interface space<br>1: Burst ROM interface space  |
| 6    | BSTSn2   | 0             | R/W | Burst Cycle Select<br>These bits select the number of burst cycle states.<br>000: 1 state<br>001: 2 states<br>010: 3 states<br>011: 4 states<br>100: 5 states<br>101: 6 states<br>110: 7 states<br>111: 8 states       |
| 5    | BSTSn1   | 0             | R/W |  |
| 4    | BSTSn0   | 0             | R/W |  |
|      |          |               |     |  |
|      |          |               |     |  |
| 3, 2 | —        | All 0         | R/W | Reserved<br>These bits are always read as 0. The initial value should not be changed.  |
| 1    | BSWDn1   | 0             | R/W | Burst Word Number Select<br>These bits select the number of words that can be burst-accessed on the burst ROM interface.<br>00: Maximum 4 words<br>01: Maximum 8 words<br>10: Maximum 16 words<br>11: Maximum 32 words |
| 0    | BSWDn0   | 0             | R/W |  |

(n = 1 or 0)

### 6.3.7 Bus Control Register (BCR)

BCR is used for idle cycle settings, selection of the external bus released state protocol, enabling or disabling of the write data buffer function, and enabling or disabling of WAIT pin input.

| Bit | Bit Name | Initial Value | R/W | Description  |
|-----|----------|---------------|-----|--|
| 15  | BRLE     | 0             | R/W | <p>External Bus Release Enable</p> <p>Enables or disables external bus release.</p> <p>0: External bus release disabled<br/> <math>\overline{\text{BREQ}}</math>, <math>\overline{\text{BACK}}</math>, and <math>\overline{\text{BREQO}}</math> pins can be used as I/O ports</p> <p>1: External bus release enabled</p>   |
| 14  | BREQOE   | 0             | R/W | <p><math>\overline{\text{BREQO}}</math> Pin Enable</p> <p>Controls outputting the bus request signal (<math>\overline{\text{BREQO}}</math>) to the external bus master in the external bus released state, when an internal bus master performs an external address space access, or when a refresh request is generated.</p> <p>0: <math>\overline{\text{BREQO}}</math> output disabled<br/> <math>\overline{\text{BREQO}}</math> pin can be used as I/O port</p> <p>1: <math>\overline{\text{BREQO}}</math> output enabled</p> |
| 13  | —        | 0             | R/W | <p>Reserved</p> <p>This bit can be read from or written to. However, the write value should always be 0.</p>   |
| 12  | IDLC     | 1             | R/W | <p>Idle Cycle State Number Select</p> <p>Specifies the number of states in the idle cycle set by ICIS2, ICIS1, and ICIS0.</p> <p>0: Idle cycle comprises 1 state</p> <p>1: Idle cycle comprises 2 states</p>   |
| 11  | ICIS1    | 1             | R/W | <p>Idle Cycle Insert 1</p> <p>When consecutive external read cycles are performed in different areas, an idle cycle can be inserted between the bus cycles.</p> <p>0: Idle cycle not inserted</p> <p>1: Idle cycle inserted</p>  |

| Bit          | Bit Name | Initial Value | R/W | Description  |
|--------------|----------|---------------|-----|--|
| 10           | ICIS0    | 1             | R/W | <p>Idle Cycle Insert 0</p> <p>When an external read cycle and external write cycle are performed consecutively, an idle cycle can be inserted between the bus cycles.</p> <p>0: Idle cycle not inserted<br/>1: Idle cycle inserted</p>   |
| 9            | WDBE     | 0             | R/W | <p>Write Data Buffer Enable</p> <p>The write data buffer function can be used for an external write cycle or DMAC single address transfer cycle.</p> <p>0: Write data buffer function not used<br/>1: Write data buffer function used</p>  |
| 8            | WAITE    | 0             | R/W | <p><math>\overline{\text{WAIT}}</math> Pin Enable</p> <p>Selects enabling or disabling of wait input by the <math>\overline{\text{WAIT}}</math> pin.</p> <p>0: Wait input by <math>\overline{\text{WAIT}}</math> pin disabled<br/><math>\overline{\text{WAIT}}</math> pin can be used as I/O port<br/>1: Wait input by <math>\overline{\text{WAIT}}</math> pin enabled</p> |
| 7<br>to<br>3 | —        | All 0         | R/W | <p>Reserved</p> <p>These bits can be read from or written to. However, the write value should always be 0.</p>   |
| 2            | ICIS2    | 0             | R/W | <p>Idle Cycle Insert 2</p> <p>When an external write cycle and external read cycle are performed consecutively, an idle cycle can be inserted between the bus cycles.</p> <p>0: Idle cycle not inserted<br/>1: Idle cycle inserted</p>   |
| 1, 0         | —        | All 0         | R/W | <p>Reserved</p> <p>These bits can be read from or written to. However, the write value should always be 0.</p>   |

### 6.3.8 DRAM Control Register (DRAMCR)

DRAMCR is used to make DRAM/synchronous DRAM interface settings.

Note: The synchronous DRAM interface is not supported by the H8S/2378 Group.

| Bit | Bit Name | Initial Value | R/W | Description   |
|-----|----------|---------------|-----|---|
| 15  | OEE      | 0             | R/W | <p><math>\overline{OE}</math> Output Enable</p> <p>The OE signal used when EDO page mode DRAM is connected can be output from the (OE) pin. The <math>\overline{OE}</math> signal is common to all areas designated as DRAM space.</p> <p>When the synchronous DRAM is connected, the CKE signal can be output from the (OE) pin. The CKE signal is common to the continuous synchronous DRAM space.</p> <p>0: <math>\overline{OE}</math>/CKE signal output disabled<br/> <math>(\overline{OE})</math>/(CKE) pin can be used as I/O port</p> <p>1: <math>\overline{OE}</math>/CKE signal output enabled</p>   |
| 14  | RAST     | 0             | R/W | <p><math>\overline{RAS}</math> Assertion Timing Select</p> <p>Selects whether, in DRAM access, the <math>\overline{RAS}</math> signal is asserted from the start of the <math>T_r</math> cycle (rising edge of <math>\phi</math>) or from the falling edge of <math>\phi</math>.</p> <p>Figure 6.4 shows the relationship between the RAST bit setting and the <math>\overline{RAS}</math> assertion timing.</p> <p>The setting of this bit applies to all areas designated as DRAM space.</p> <p>0: <math>\overline{RAS}</math> is asserted from <math>\phi</math> falling edge in <math>T_r</math> cycle</p> <p>1: <math>\overline{RAS}</math> is asserted from start of <math>T_r</math> cycle</p> |
| 13  | —        | 0             | R/W | <p>Reserved</p> <p>This bit can be read from or written to. However, the write value should always be 0.</p>  |

| Bit | Bit Name | Initial Value | R/W | Description   |
|-----|----------|---------------|-----|---|
| 12  | CAST     | 0             | R/W | <p>Column Address Output Cycle Number Select</p> <p>Selects whether the column address output cycle in DRAM access comprises 3 states or 2 states. The setting of this bit applies to all areas designated as DRAM space.</p> <p>0: Column address output cycle comprises 2 states</p> <p>1: Column address output cycle comprises 3 states</p> |
| 11  | —        | 0             | R/W | <p>Reserved</p> <p>This bit can be read from or written to. However, the write value should always be 0.</p>  |

| Bit | Bit Name | Initial Value | R/W | Description   |
|-----|----------|---------------|-----|---|
| 10  | RMTS2    | 0             | R/W | DRAM/Continuous Synchronous DRAM Space Select   |
| 9   | RMTS1    | 0             | R/W |   |
| 8   | RMTS0    | 0             | R/W | <p>These bits designate DRAM/continuous synchronous DRAM space for areas 2 to 5.</p> <p>When continuous DRAM space is set, it is possible to connect large-capacity DRAM exceeding 2 Mbytes per area. In this case, the <math>\overline{\text{RAS}}</math> signal is output from the <math>\overline{\text{CS2}}</math> pin.</p> <p>When continuous synchronous DRAM space is set, it is possible to connect large-capacity synchronous DRAM exceeding 2 Mbytes per area. In this case, the <math>\overline{\text{RAS}}</math>, <math>\overline{\text{CAS}}</math>, and <math>\overline{\text{WE}}</math> signals are output from <math>\overline{\text{CS2}}</math>, <math>\overline{\text{CS3}}</math>, and <math>\overline{\text{CS4}}</math> pins, respectively. When synchronous DRAM mode is set, the mode registers of the synchronous DRAM can be set.</p> <p>000: Normal space</p> <p>001: Normal space in areas 3 to 5<br/>DRAM space in area 2</p> <p>010: Normal space in areas 4 and 5<br/>DRAM space in areas 2 and 3</p> <p>011: DRAM space in areas 2 to 5</p> <p>100: Continuous synchronous DRAM space<br/>(setting prohibited in the H8S/2378 Group)</p> <p>101: Synchronous DRAM mode setting (setting prohibited in the H8S/2378 Group)</p> <p>110: Setting prohibited</p> <p>111: Continuous DRAM space in areas 2 to 5</p> |
| 7   | BE       | 0             | R/W | <p>Burst Access Enable</p> <p>Selects enabling or disabling of burst access to areas designated as DRAM/continuous synchronous DRAM space. DRAM/continuous synchronous DRAM space burst access is performed in fast page mode. When using EDO page mode DRAM, the <math>\overline{\text{OE}}</math> signal must be connected.</p> <p>0: Full access</p> <p>1: Access in fast page mode</p>  |

| Bit | Bit Name | Initial Value | R/W | Description   |
|-----|----------|---------------|-----|---|
| 6   | RCDM     | 0             | R/W | <p><b>RAS Down Mode</b></p> <p>When access to DRAM space is interrupted by an access to normal space, an access to an internal I/O register, etc., this bit selects whether the <math>\overline{\text{RAS}}</math> signal is held low while waiting for the next DRAM access (RAS down mode), or is driven high again (RAS up mode). The setting of this bit is valid only when the BE bit is set to 1.</p> <p>If this bit is cleared to 0 when set to 1 in the <math>\overline{\text{RAS}}</math> down state, the <math>\overline{\text{RAS}}</math> down state is cleared at that point, and <math>\overline{\text{RAS}}</math> goes high.</p> <p>When continuous synchronous DRAM space is set, reading from and writing to this bit is enabled. However, the setting does not affect the operation.</p> <p>0: <math>\overline{\text{RAS}}</math> up mode selected for DRAM space access<br/> 1: <math>\overline{\text{RAS}}</math> down mode selected for DRAM space access</p> |
| 5   | DDS      | 0             | R/W | <p><b>DMAC Single Address Transfer Option</b></p> <p>Selects whether full access is always performed or burst access is enabled when DMAC single address transfer is performed on the DRAM/synchronous DRAM.</p> <p>When the BE bit is cleared to 0 in DRAMCR, disabling DRAM/synchronous DRAM burst access, DMAC single address transfer is performed in full access mode regardless of the setting of this bit.</p> <p>This bit has no effect on other bus master external accesses or DMAC dual address transfers.</p> <p>0: Full access is always executed<br/> 1: Burst access is enabled</p>  |

| Bit | Bit Name | Initial Value | R/W | Description  |
|-----|----------|---------------|-----|--|
| 4   | EDDS     | 0             | R/W | <p>EXDMAC Single Address Transfer Option</p> <p>Selects whether full access is always performed or burst access is enabled when EXDMAC single address transfer is performed on the DRAM/synchronous DRAM.</p> <p>When the BE bit is cleared to 0 in DRAMCR, disabling DRAM/synchronous DRAM burst access, EXDMAC single address transfer is performed in full access mode regardless of the setting of this bit.</p> <p>This bit has no effect on other bus master external accesses or EXDMAC dual address transfers.</p> <p>0: Full access is always executed<br/>1: Burst access is enabled</p> |
| 3   | —        | 0             | R/W | <p>Reserved</p> <p>This bit can be read from or written to. However, the write value should always be 0.</p>   |

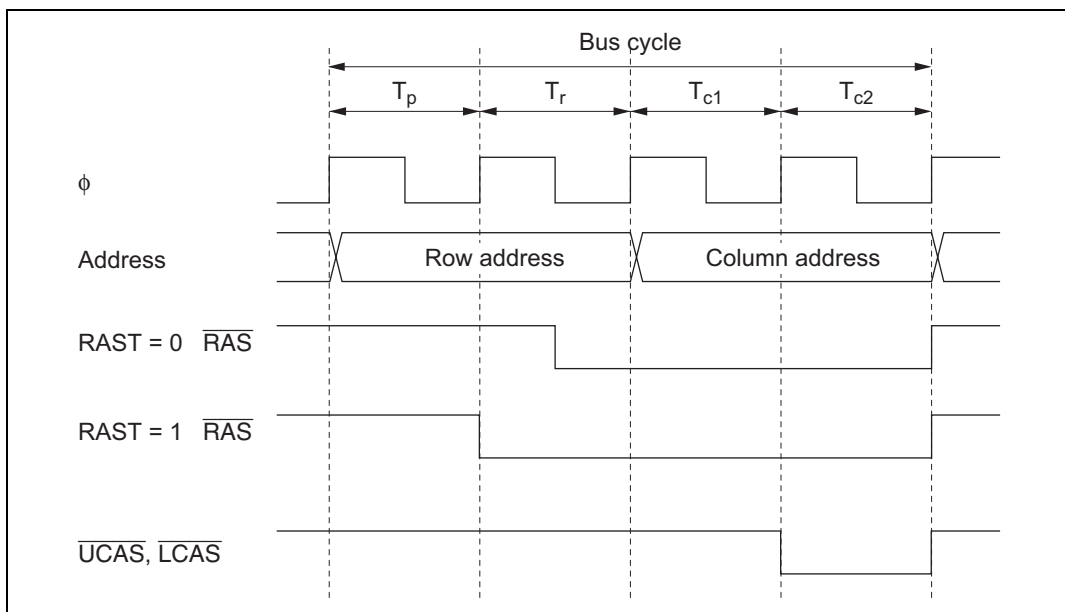
---



| Bit | Bit Name | Initial Value | R/W | Description  |
|-----|----------|---------------|-----|--|
| 2   | MXC2     | 0             | R/W | Address Multiplex Select   |
| 1   | MXC1     | 0             | R/W | These bits select the size of the shift toward the lower half of the row address in row address/column address multiplexing. In burst operation on the DRAM/synchronous DRAM interface, these bits also select the row address bits to be used for comparison. |
| 0   | MXC0     | 0             | R/W |  |
|     |          |               |     | When the MXC2 bit is set to 1 while continuous synchronous DRAM space is set, the address precharge setting command (Precharge-sel) is output to the upper column address. For details, refer to sections 6.6.2 and 6.7.2, Address Multiplexing.               |
|     |          |               |     | DRAM interface   |
|     |          |               |     | 000: 8-bit shift   |
|     |          |               |     | <ul style="list-style-type: none"> <li>When 8-bit access space is designated:<br/>Row address bits A23 to A8 used for comparison</li> <li>When 16-bit access space is designated:<br/>Row address bits A23 to A9 used for comparison</li> </ul>                |
|     |          |               |     | 001: 9-bit shift   |
|     |          |               |     | <ul style="list-style-type: none"> <li>When 8-bit access space is designated:<br/>Row address bits A23 to A9 used for comparison</li> <li>When 16-bit access space is designated:<br/>Row address bits A23 to A10 used for comparison</li> </ul>               |
|     |          |               |     | 010: 10-bit shift  |
|     |          |               |     | <ul style="list-style-type: none"> <li>When 8-bit access space is designated:<br/>Row address bits A23 to A10 used for comparison</li> <li>When 16-bit access space is designated:<br/>Row address bits A23 to A11 used for comparison</li> </ul>              |

| Bit | Bit Name | Initial Value | R/W | Description   |
|-----|----------|---------------|-----|---|
| 2   | MXC2     | 0             | R/W | 011: 11-bit shift   |
| 1   | MXC1     | 0             | R/W | <ul style="list-style-type: none"> <li>When 8-bit access space is designated:<br/>Row address bits A23 to A11 used for comparison</li> <li>When 16-bit access space is designated:<br/>Row address bits A23 to A12 used for comparison</li> </ul> |
| 0   | MXC0     | 0             | R/W |   |
|     |          |               |     | Synchronous DRAM interface  |
|     |          |               |     | 100: 8-bit shift  |
|     |          |               |     | <ul style="list-style-type: none"> <li>When 8-bit access space is designated:<br/>Row address bits A23 to A8 used for comparison</li> <li>When 16-bit access space is designated:<br/>Row address bits A23 to A9 used for comparison</li> </ul>   |
|     |          |               |     | The precharge-sel is A15 to A9 of the column address.   |
|     |          |               |     | 101: 9-bit shift  |
|     |          |               |     | <ul style="list-style-type: none"> <li>When 8-bit access space is designated:<br/>Row address bits A23 to A9 used for comparison</li> <li>When 16-bit access space is designated:<br/>Row address bits A23 to A10 used for comparison</li> </ul>  |
|     |          |               |     | The precharge-sel is A15 to A10 of the column address.  |
|     |          |               |     | 110: 10-bit shift   |
|     |          |               |     | <ul style="list-style-type: none"> <li>When 8-bit access space is designated:<br/>Row address bits A23 to A10 used for comparison</li> <li>When 16-bit access space is designated:<br/>Row address bits A23 to A11 used for comparison</li> </ul> |
|     |          |               |     | The precharge-sel is A15 to A11 of the column address.  |

| Bit | Bit Name | Initial Value | R/W | Description   |
|-----|----------|---------------|-----|---|
| 2   | MXC2     | 0             | R/W | 111: 11-bit shift   |
| 1   | MXC1     | 0             | R/W |   |
| 0   | MXC0     | 0             | R/W | <ul style="list-style-type: none"> <li>When 8-bit access space is designated:<br/>Row address bits A23 to A11 used for comparison</li> <li>When 16-bit access space is designated:<br/>Row address bits A23 to A12 used for comparison</li> </ul> <p>The precharge-sel is A15 to A12 of the column address.</p> |



**Figure 6.4**  $\overline{\text{RAS}}$  Signal Assertion Timing  
(2-State Column Address Output Cycle, Full Access)

### 6.3.9 DRAM Access Control Register (DRACCR)

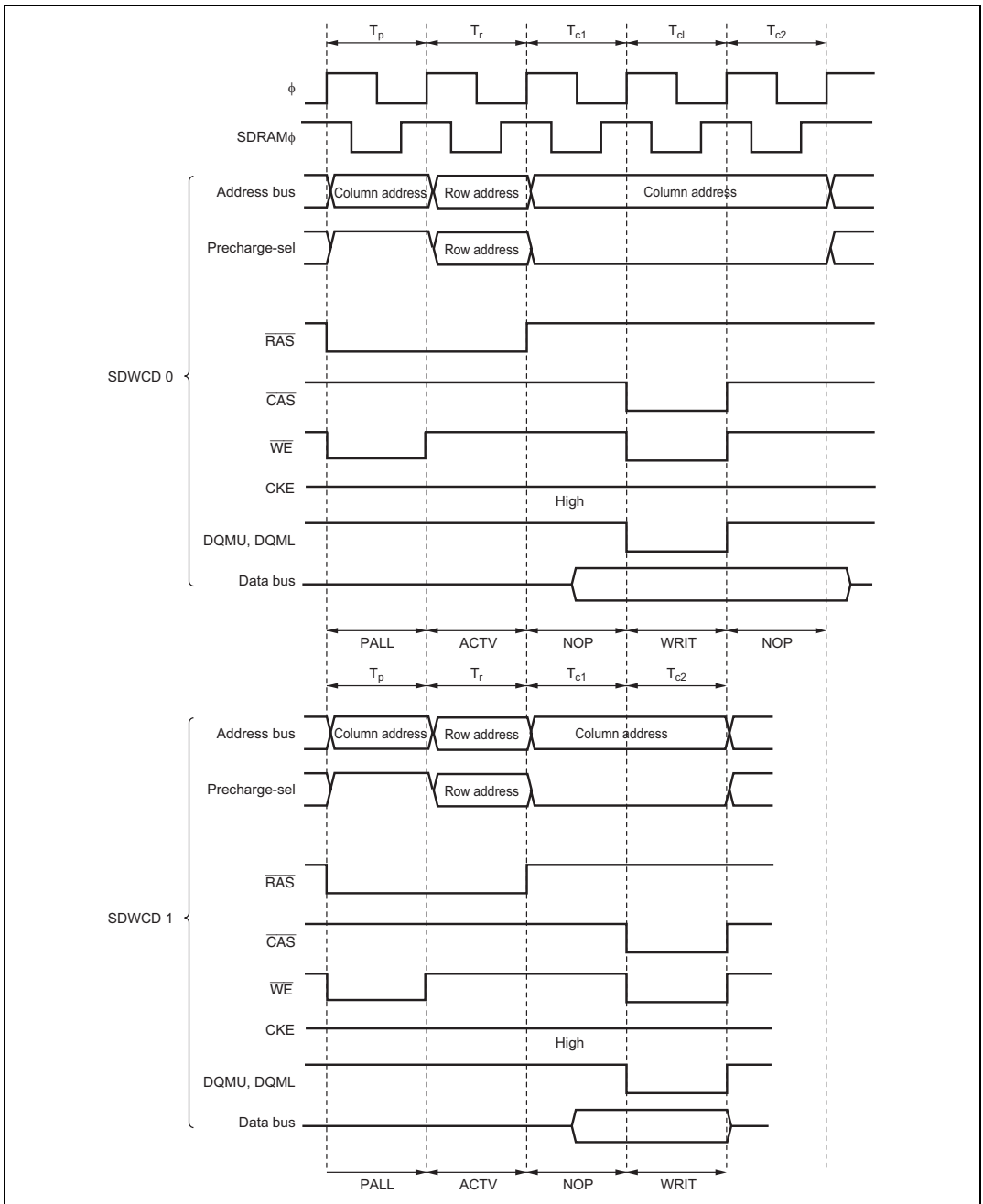
DRACCR is used to set the DRAM/synchronous DRAM interface bus specifications.

Note: The synchronous DRAM interface is not supported by the H8S/2378 Group.

| Bit | Bit Name | Initial Value | R/W | Description   |
|-----|----------|---------------|-----|---|
| 15  | DRMI     | 0             | R/W | <p>Idle Cycle Insertion</p> <p>An idle cycle can be inserted after a DRAM/synchronous DRAM access cycle when a continuous normal space access cycle follows a DRAM/synchronous DRAM access cycle. Idle cycle insertion conditions, setting of number of states, etc., comply with settings of bits ICIS2, ICIS1, ICIS0, and IDLC in BCR register</p> <p>0: Idle cycle not inserted<br/>1: Idle cycle inserted</p> |
| 14  | —        | 0             | R/W | <p>Reserved</p> <p>This bit can be read from or written to. However, the write value should always be 0.</p>  |
| 13  | TPC1     | 0             | R/W | Precharge State Control   |
| 12  | TPC0     | 0             | R/W | <p>These bits select the number of states in the RAS precharge cycle in normal access and refreshing.</p> <p>00: 1 state<br/>01: 2 states<br/>10: 3 states<br/>11: 4 states</p>   |
| 11  | SDWCD    | 0*            | R/W | <p>CAS Latency Control Cycle Disabled during Continuous Synchronous DRAM Space Write Access</p> <p>Disables CAS latency control cycle (Tcl) inserted by WTCRB (H) settings during synchronous DRAM write access (see figure 6.5).</p> <p>0: Enables CAS latency control cycle<br/>1: Disables CAS latency control cycle</p>   |

| Bit    | Bit Name | Initial Value | R/W | Description  |
|--------|----------|---------------|-----|--|
| 10     | —        | 0             | R/W | Reserved<br>This bit can be read from or written to. However, the write value should always be 0.  |
| 9      | RCD1     | 0             | R/W | RAS-CAS Wait Control<br>These bits select a wait cycle to be inserted between the $\overline{\text{RAS}}$ assert cycle and $\overline{\text{CAS}}$ assert cycle. A 1- to 4-state wait cycle can be inserted.<br>00: Wait cycle not inserted<br>01: 1-state wait cycle inserted<br>10: 2-state wait cycle inserted<br>11: 3-state wait cycle inserted |
| 8      | RCD0     | 0             | R/W |  |
| 7 to 4 | —        | All 0         | R/W | Reserved<br>These bits can be read from or written to. However, the write value should always be 0.  |
| 3      | CKSPE*   | 0             | R/W | Clock Suspend Enable<br>Enables clock suspend mode for extend read data during DMAC and EXDMAC single address transfer with the synchronous DRAM interface.<br>0: Disables clock suspend mode<br>1: Enables clock suspend mode   |
| 2      | —        | 0             | R/W | Reserved<br>This bit can be read from or written to. However, the write value should always be 0.  |
| 1      | RDXC1*   | 0             | R/W | Read Data Extension Cycle Number Selection<br>Selects the number of read data extension cycle (Tsp) insertion state in clock suspend mode. These bits are valid when the CKSPE bit is set to 1.<br>00: Inserts 1 state<br>01: Inserts 2 state<br>10: Inserts 3 state<br>11: Inserts 4 state  |
| 0      | RDXC0*   | 0             | R/W |  |

Note: \* Not used in the H8S/2378 Group. Do not change the initial value.



**Figure 6.5 CAS Latency Control Cycle Disable Timing during Continuous Synchronous DRAM Space Write Access (for CAS Latency 2)**

### 6.3.10 Refresh Control Register (REFCR)

REFCR specifies DRAM/synchronous DRAM interface refresh control.

Note: The synchronous DRAM interface is not supported by the H8S/2378 Group.

| Bit | Bit Name | Initial Value | R/W    | Description  |
|-----|----------|---------------|--------|--|
| 15  | CMF      | 0             | R/(W)* | <p>Compare Match Flag</p> <p>Status flag that indicates a match between the values of RTCNT and RTCOR.</p> <p>[Clearing conditions]</p> <ul style="list-style-type: none"> <li>When 0 is written to CMF after reading CMF = 1 while the RFSHE bit is cleared to 0</li> <li>When CBR refreshing is executed while the RFSHE bit is set to 1</li> </ul> <p>[Setting condition]</p> <p>When RTCOR = RTCNT</p> |
| 14  | CMIE     | 0             | R/W    | <p>Compare Match Interrupt Enable</p> <p>Enables or disables interrupt requests (CMI) by the CMF flag when the CMF flag is set to 1.</p> <p>This bit is valid when refresh control is not performed. When the refresh control is performed, this bit is always cleared to 0 and cannot be modified.</p> <p>0: Interrupt request by CMF flag disabled</p> <p>1: Interrupt request by CMF flag enabled</p>   |
| 13  | RCW1     | 0             | R/W    | CAS-RAS Wait Control   |
| 12  | RCW0     | 0             | R/W    | <p>These bits select the number of wait cycles to be inserted between the <math>\overline{\text{CAS}}</math> assert cycle and <math>\overline{\text{RAS}}</math> assert cycle in a DRAM/synchronous DRAM refresh cycle.</p> <p>00: Wait state not inserted</p> <p>01: 1 wait state inserted</p> <p>10: 2 wait states inserted</p> <p>11: 3 wait states inserted</p>  |

Note: \* Only 0 can be written, to clear the flag.

| Bit | Bit Name | Initial Value | R/W | Description   |  |
|-----|----------|---------------|-----|---|--|
| 11  | —        | 0             | R/W | Reserved<br>This bit can be read from or written to. However, the write value should always be 0.   |  |
| 10  | RTCK2    | 0             | R/W | Refresh Counter Clock Select  |  |
| 9   | RTCK1    | 0             | R/W | These bits select the clock to be used to increment the refresh counter. When the input clock is selected with bits RTCK2 to RTCK0, the refresh counter begins counting up.<br>000: Count operation halted<br>001: Count on $\phi/2$<br>010: Count on $\phi/8$<br>011: Count on $\phi/32$<br>100: Count on $\phi/128$<br>101: Count on $\phi/512$<br>110: Count on $\phi/2048$<br>111: Count on $\phi/4096$ |  |
| 8   | RTCK0    | 0             | R/W |   |  |
| 7   | RFSHE    | 0             | R/W |   | Refresh Control<br>Refresh control can be performed. When refresh control is not performed, the refresh timer can be used as an interval timer.<br>0: Refresh control is not performed<br>1: Refresh control is performed  |
| 6   | CBRM     | 0             | R/W |   | CBR Refresh Mode<br>Selects CBR refreshing performed in parallel with other external accesses, or execution of CBR refreshing alone.<br>When the continuous synchronous DRAM space is set, this bit can be read/written, but the setting contents do not affect operations.<br>0: External access during CAS-before-RAS refreshing is enabled<br>1: External access during CAS-before-RAS refreshing is disabled |



| Bit | Bit Name | Initial Value | R/W | Description   |
|-----|----------|---------------|-----|---|
| 5   | RLW1     | 0             | R/W | Refresh Cycle Wait Control  |
| 4   | RLW0     | 0             | R/W | <p>These bits select the number of wait states to be inserted in a DRAM interface CAS-before-RAS refresh cycle/synchronous DRAM interface auto-refresh cycle. This setting applies to all areas designated as DRAM/continuous synchronous DRAM space.</p> <p>00: No wait state inserted<br/> 01: 1 wait state inserted<br/> 10: 2 wait states inserted<br/> 11: 3 wait states inserted</p>  |
| 3   | SLFRF    | 0             | R/W | <p>Self-Refresh Enable</p> <p>If this bit is set to 1, DRAM/synchronous DRAM self-refresh mode is selected when a transition is made to the software standby state. This bit is valid when the RFSHE bit is set to 1, enabling refresh operations. It is cleared after recovery from software standby mode.</p> <p>0: Self-refreshing is disabled<br/> 1: Self-refreshing is enabled</p>  |
| 2   | TPCS2    | 0             | R/W | Self-Refresh Precharge Cycle Control  |
| 1   | TPCS1    | 0             | R/W | <p>These bits select the number of states in the precharge cycle immediately after self-refreshing.</p> <p>The number of states in the precharge cycle immediately after self-refreshing are added to the number of states set by bits TPC1 and TPC0 in DRACCR.</p> <p>000: [TPC set value] states<br/> 001: [TPC set value + 1] states<br/> 010: [TPC set value + 2] states<br/> 011: [TPC set value + 3] states<br/> 100: [TPC set value + 4] states<br/> 101: [TPC set value + 5] states<br/> 110: [TPC set value + 6] states<br/> 111: [TPC set value + 7] states</p> |
| 0   | TPCS0    | 0             | R/W |   |

### 6.3.11 Refresh Timer Counter (RTCNT)

RTCNT is an 8-bit readable/writable up-counter. RTCNT counts up using the internal clock selected by bits RTCK2 to RTCK0 in REFCR.

When RTCNT matches RTCOR (compare match), the CMF flag in REFCR is set to 1 and RTCNT is cleared to H'00. If the RFSHE bit in REFCR is set to 1 at this time, a refresh cycle is started. If the RFSHE bit is cleared to 0 and the CMIE bit in REFCR is set to 1, a compare match interrupt (CMI) is generated.

RTCNT is initialized to H'00 by a reset and in hardware standby mode. It is not initialized in software standby mode.

### 6.3.12 Refresh Time Constant Register (RTCOR)

RTCOR is an 8-bit readable/writable register that sets the period for compare match operations with RTCNT.

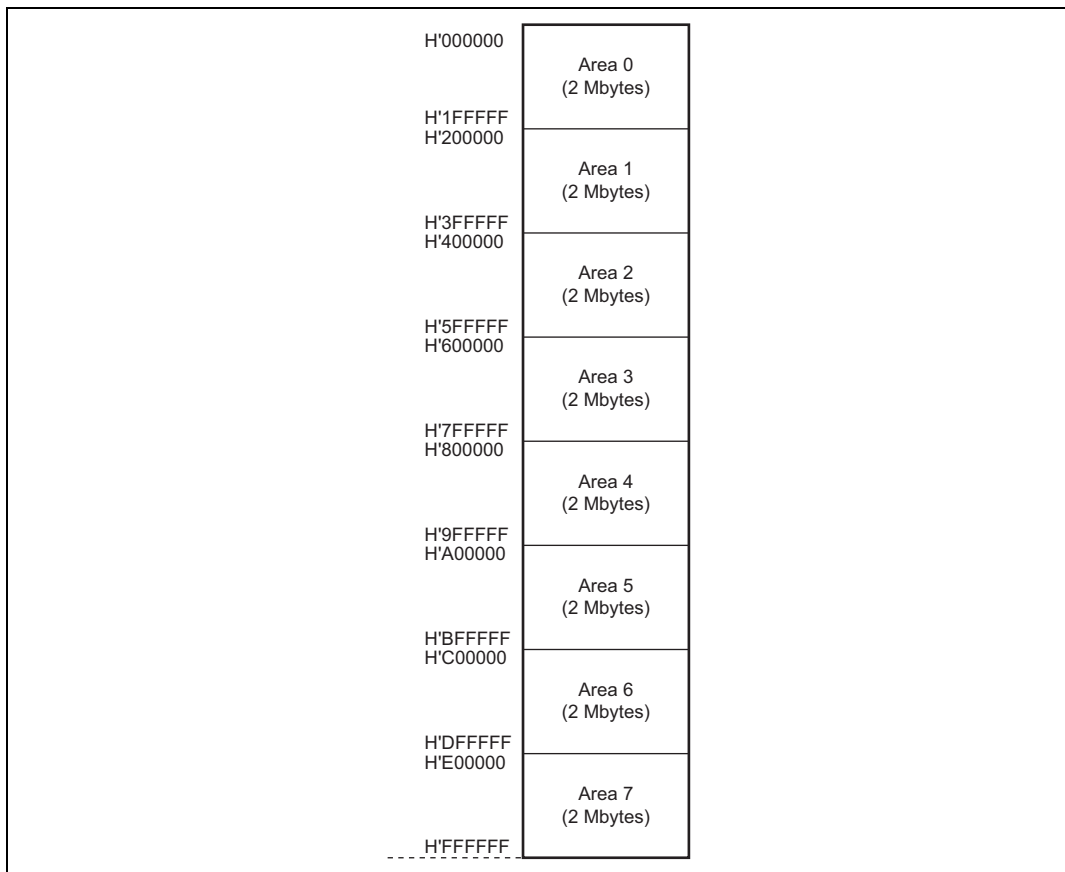
The values of RTCOR and RTCNT are constantly compared, and if they match, the CMF flag in REFCR is set to 1 and RTCNT is cleared to H'00.

RTCOR is initialized to H'FF by a reset and in hardware standby mode. It is not initialized in software standby mode.

## 6.4 Bus Control

### 6.4.1 Area Division

The bus controller divides the 16-Mbyte address space into eight areas, 0 to 7, in 2-Mbyte units, and performs bus control for external address space in area units. Chip select signals ( $\overline{CS0}$  to  $\overline{CS7}$ ) can be output for each area. In normal mode, a part of area 0, 64-kbyte address space, is controlled. Figure 6.6 shows an outline of the memory map.



**Figure 6.6 Area Divisions**

### 6.4.2 Bus Specifications

The external address space bus specifications consist of five elements: bus width, number of access states, number of program wait states, read strobe timing, and chip select ( $\overline{CS}$ ) assertion period extension states. The bus width and number of access states for on-chip memory and internal I/O registers are fixed, and are not affected by the bus controller.

**Bus Width:** A bus width of 8 or 16 bits can be selected with ABWCR. An area for which an 8-bit bus is selected functions as an 8-bit access space, and an area for which a 16-bit bus is selected functions as a 16-bit access space. If all areas are designated as 8-bit access space, 8-bit bus mode is set; if any area is designated as 16-bit access space, 16-bit bus mode is set.

**Number of Access States:** Two or three access states can be selected with ASTCR. An area for which 2-state access is selected functions as a 2-state access space, and an area for which 3-state access is selected functions as a 3-state access space. With the DRAM or synchronous DRAM interface and burst ROM interface, the number of access states may be determined without regard to the setting of ASTCR.

When 2-state access space is designated, wait insertion is disabled. When 3-state access space is designated, it is possible to insert program waits by means of the WTCRA and WTCRB, and external waits by means of the  $\overline{WAIT}$  pin.

Note: The synchronous DRAM interface is not supported by the H8S/2378 Group.

**Number of Program Wait States:** When 3-state access space is designated by ASTCR, the number of program wait states to be inserted automatically is selected with WTCRA and WTCRB. From 0 to 7 program wait states can be selected. Table 6.2 shows the bus specifications (bus width, and number of access states and program wait states) for each basic bus interface area.

**Table 6.2 Bus Specifications for Each Area (Basic Bus Interface)**

| ABWCR | ASTCR | WTCRA, WTCRB |     |     | Bus Specifications (Basic Bus Interface) |               |                     |
|-------|-------|--------------|-----|-----|--|---------------|---------------------|
| ABWn  | ASTn  | Wn2          | Wn1 | Wn0 | Bus Width                                | Access States | Program Wait States |
| 0     | 0     | —            | —   | —   | 16                                       | 2             | 0                   |
|       | 1     | 0            | 0   | 0   |  | 3             | 0                   |
|       |       |              |     | 1   |  |               | 1                   |
|       |       |              |     | 1   |  | 0             | 2                   |
|       |       |              |     | 1   |  |               | 3                   |
|       |       | 1            | 0   | 0   |  |               | 4                   |
|       |       |              |     | 1   |  |               | 5                   |
|       |       |              | 1   | 0   | 6  |               |                     |
|       |       |              | 1   |     | 7  |               |                     |
| 1     | 0     | —            | —   | —   | 8  | 2             | 0                   |
|       | 1     | 0            | 0   | 0   |  | 3             | 0                   |
|       |       |              |     | 1   |  |               | 1                   |
|       |       |              |     | 1   |  | 0             | 2                   |
|       |       |              |     | 1   |  |               | 3                   |
|       |       | 1            | 0   | 0   |  |               | 4                   |
|       |       |              |     | 1   |  |               | 5                   |
|       |       |              | 1   | 0   | 6  |               |                     |
|       |       |              | 1   |     | 7  |               |                     |

(n = 0 to 7)

**Read Strobe Timing:** RDNCR can be used to select either of two negation timings (at the end of the read cycle or one half-state before the end of the read cycle) for the read strobe ( $\overline{RD}$ ) used in the basic bus interface space.

**Chip Select ( $\overline{CS}$ ) Assertion Period Extension States:** Some external I/O devices require a setup time and hold time between address and  $\overline{CS}$  signals and strobe signals such as  $\overline{RD}$ ,  $\overline{HWR}$ , and  $\overline{LWR}$ . CSACR can be used to insert states in which only the  $\overline{CS}$ , AS, and address signals are asserted before and after a basic bus space access cycle.

### 6.4.3 Memory Interfaces

The memory interfaces in this LSI comprise a basic bus interface that allows direct connection of ROM, SRAM, and so on; a DRAM interface that allows direct connection of DRAM; a synchronous DRAM interface that allows direct connection of synchronous DRAM; and a burst ROM interface that allows direct connection of burst ROM. The interface can be selected independently for each area.

An area for which the basic bus interface is designated functions as normal space, an area for which the DRAM interface is designated functions as DRAM space, an area for which the synchronous DRAM interface is designated functions as continuous synchronous DRAM space, and an area for which the burst ROM interface is designated functions as burst ROM space.

The initial state of each area is basic bus interface, 3-state access space. The initial bus width is selected according to the operating mode.

Note: The synchronous DRAM interface is not supported by the H8S/2378 Group.

**Area 0:** Area 0 includes on-chip ROM in expanded mode with on-chip ROM enabled and the space excluding on-chip ROM is external address space, and in expanded mode with on-chip ROM disabled, all of area 0 is external address space.

When area 0 external space is accessed, the  $\overline{CS0}$  signal can be output.

Either basic bus interface or burst ROM interface can be selected for area 0.

**Area 1:** In externally expanded mode, all of area 1 is external address space.

When area 1 external address space is accessed, the  $\overline{CS1}$  signal can be output.

Either basic bus interface or burst ROM interface can be selected for area 1.

**Areas 2 to 5:** In externally expanded mode, areas 2 to 5 are all external address space.

When area 2 to 5 external space is accessed, signals  $\overline{CS2}$  to  $\overline{CS5}$  can be output.

Basic bus interface, DRAM interface, or synchronous DRAM interface can be selected for areas 2 to 5. With the DRAM interface, signals  $\overline{CS2}$  and  $\overline{CS5}$  are used as  $\overline{RAS}$  signals.

If areas 2 to 5 are designated as continuous DRAM space, large-capacity (e.g. 64-Mbit) DRAM can be connected. In this case, the  $\overline{CS2}$  signal is used as the  $\overline{RAS}$  signal for the continuous DRAM space.

If areas 2 to 5 are designated as continuous synchronous DRAM space, large-capacity (e.g. 64-Mbit) synchronous DRAM can be connected. In this case, the  $\overline{CS2}$ ,  $\overline{CS3}$ ,  $\overline{CS4}$ , and  $\overline{CS5}$  pins are used as the  $\overline{RAS}$ ,  $\overline{CAS}$ ,  $\overline{WE}$ , and CLK signals for the continuous synchronous DRAM space. The  $\overline{OE}$  pin is used as the CKE signal.

**Area 6:** In externally expanded mode, all of area 6 is external space.

When area 6 external space is accessed, the  $\overline{CS6}$  signal can be output.

Only the basic bus interface can be used for area 6.

**Area 7:** Area 7 includes the on-chip RAM and internal I/O registers. In externally expanded mode, the space excluding the on-chip RAM and internal I/O registers is external address space. The on-chip RAM is enabled when the RAME bit is set to 1 in the system control register (SYSCR); when the RAME bit is cleared to 0, the on-chip RAM is disabled and the corresponding addresses are in external address space.

When area 7 external address space is accessed, the  $\overline{CS7}$  signal can be output.

Only the basic bus interface can be used for the area 7 memory interface.

#### 6.4.4 Chip Select Signals

This LSI can output chip select signals ( $\overline{CS0}$  to  $\overline{CS7}$ ) for areas 0 to 7. The signal outputs low when the corresponding external space area is accessed. Figure 6.7 shows an example of  $\overline{CS0}$  to  $\overline{CS7}$  signals output timing.

Enabling or disabling of  $\overline{CS0}$  to  $\overline{CS7}$  signals output is set by the data direction register (DDR) bit for the port corresponding to the  $\overline{CS0}$  to  $\overline{CS7}$  pins.

In expanded mode with on-chip ROM disabled, the  $\overline{CS0}$  pin is placed in the output state after a reset. Pins  $\overline{CS1}$  to  $\overline{CS7}$  are placed in the input state after a reset and so the corresponding DDR bits should be set to 1 when outputting signals  $\overline{CS1}$  to  $\overline{CS7}$ .

In expanded mode with on-chip ROM enabled, pins  $\overline{CS0}$  to  $\overline{CS7}$  are all placed in the input state after a reset and so the corresponding DDR bits should be set to 1 when outputting signals  $\overline{CS0}$  to  $\overline{CS7}$ .

When areas 2 to 5 are designated as DRAM space, outputs  $\overline{CS2}$  to  $\overline{CS5}$  are used as  $\overline{RAS}$  signals.

When areas 2 to 5 are designated as continuous synchronous DRAM space in the H8S/2378R Group, outputs  $\overline{CS2}$ ,  $\overline{CS3}$ ,  $\overline{CS4}$ , and  $\overline{CS5}$  are used as  $\overline{RAS}$ ,  $\overline{CAS}$ ,  $\overline{WE}$ , and CLK signals.

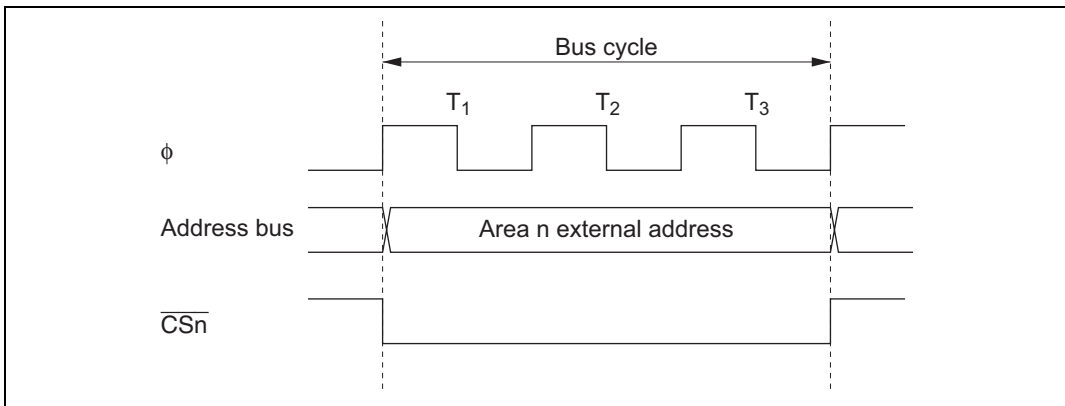


Figure 6.7  $\overline{CSn}$  Signal Output Timing (n = 0 to 7)

## 6.5 Basic Bus Interface

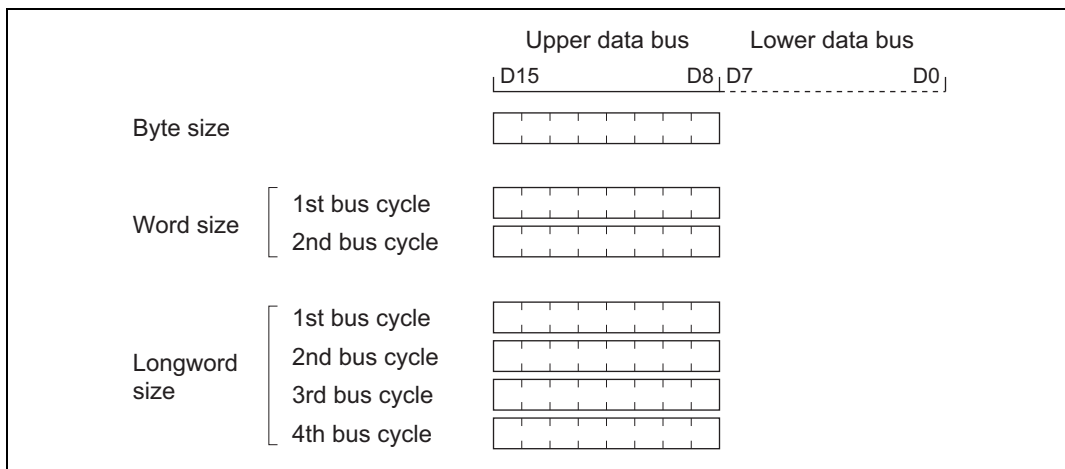
The basic bus interface enables direct connection of ROM, SRAM, and so on.

### 6.5.1 Data Size and Data Alignment

Data sizes for the CPU and other internal bus masters are byte, word, and longword. The bus controller has a data alignment function, and when accessing external address space, controls whether the upper data bus (D15 to D8) or lower data bus (D7 to D0) is used according to the bus specifications for the area being accessed (8-bit access space or 16-bit access space) and the data size.

**8-Bit Access Space:** Figure 6.8 illustrates data alignment control for the 8-bit access space. With the 8-bit access space, the upper data bus (D15 to D8) is always used for accesses. The amount of data that can be accessed at one time is one byte: a word access is performed as two byte accesses, and a longword access, as four byte accesses.

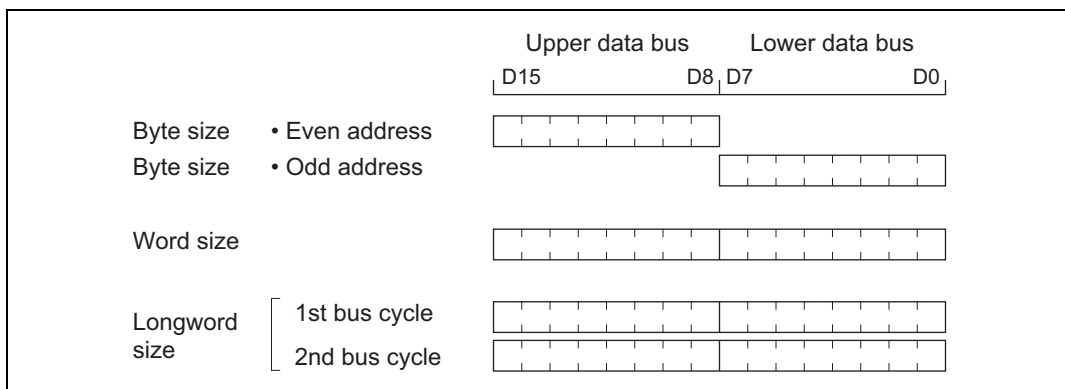




**Figure 6.8 Access Sizes and Data Alignment Control (8-Bit Access Space)**

**16-Bit Access Space:** Figure 6.9 illustrates data alignment control for the 16-bit access space. With the 16-bit access space, the upper data bus (D15 to D8) and lower data bus (D7 to D0) are used for accesses. The amount of data that can be accessed at one time is one byte or one word, and a longword access is executed as two word accesses.

In byte access, whether the upper or lower data bus is used is determined by whether the address is even or odd. The upper data bus is used for an even address, and the lower data bus for an odd address.



**Figure 6.9 Access Sizes and Data Alignment Control (16-Bit Access Space)**

### 6.5.2 Valid Strobes

Table 6.3 shows the data buses used and valid strobes for the access spaces.

In a read, the  $\overline{RD}$  signal is valid for both the upper and the lower half of the data bus. In a write, the  $\overline{HWR}$  signal is valid for the upper half of the data bus, and the  $\overline{LWR}$  signal for the lower half.

**Table 6.3 Data Buses Used and Valid Strobes**

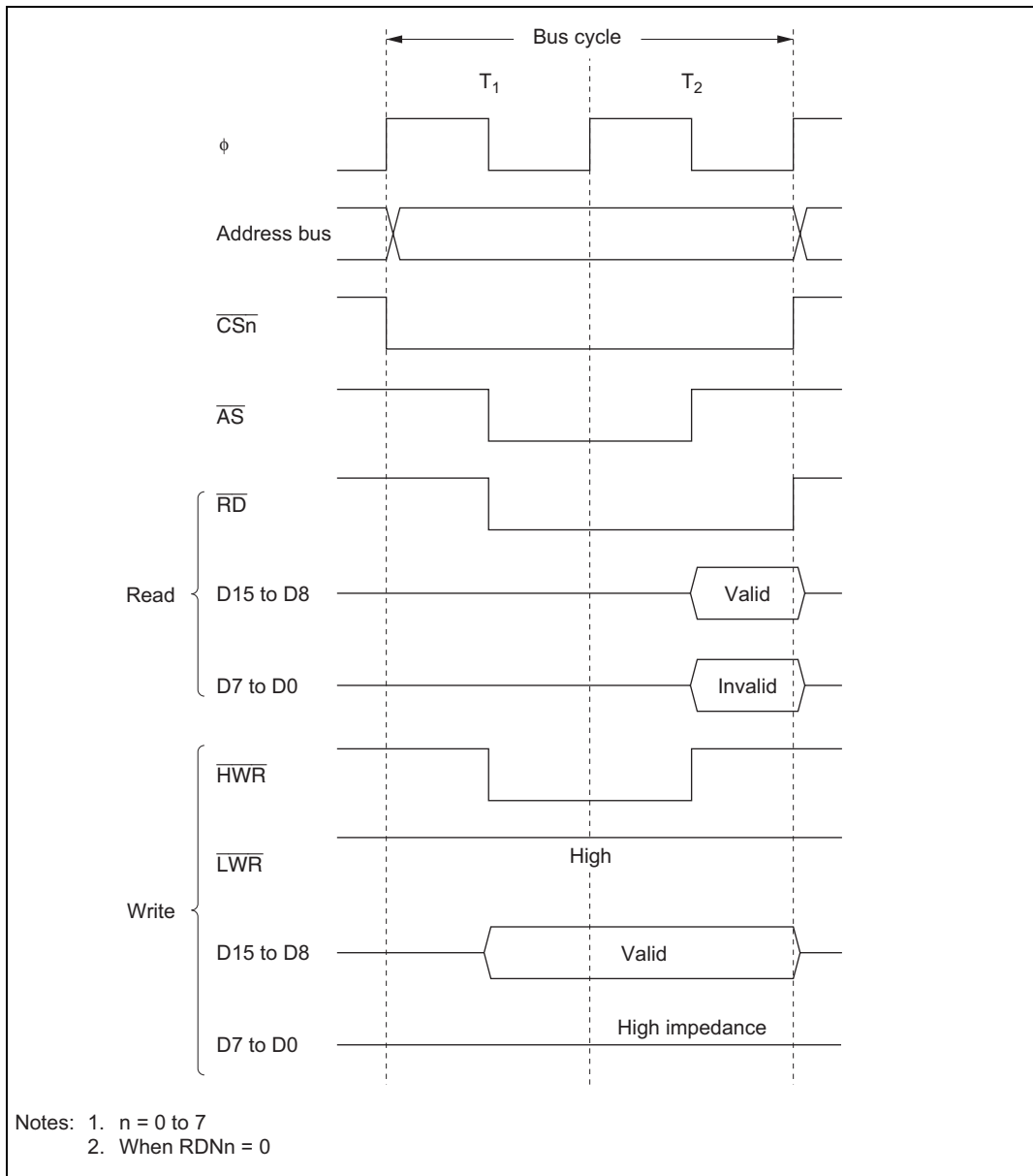
| Area                | Access Size | Read/Write | Address                          | Valid Strobe     | Upper Data Bus (D15 to D8) | Lower Data Bus (D7 to D0) |
|---------------------|-------------|------------|----------------------------------|------------------|----------------------------|---------------------------|
| 8-bit access space  | Byte        | Read       | —                                | $\overline{RD}$  | Valid                      | Invalid                   |
|                     |             | Write      | —                                | $\overline{HWR}$ |                            | Hi-Z                      |
| 16-bit access space | Byte        | Read       | Even                             | $\overline{RD}$  | Valid                      | Invalid                   |
|                     |             |            | Odd                              |                  | Invalid                    | Valid                     |
|                     | Write       | Even       | $\overline{HWR}$                 | Valid            | Hi-Z                       |                           |
|                     |             | Odd        | $\overline{LWR}$                 | Hi-Z             | Valid                      |                           |
| Word                | Read        | —          | $\overline{RD}$                  | Valid            | Valid                      |                           |
|                     | Write       | —          | $\overline{HWR}, \overline{LWR}$ | Valid            | Valid                      |                           |

Note: Hi-Z: High-impedance state

Invalid: Input state; input value is ignored.

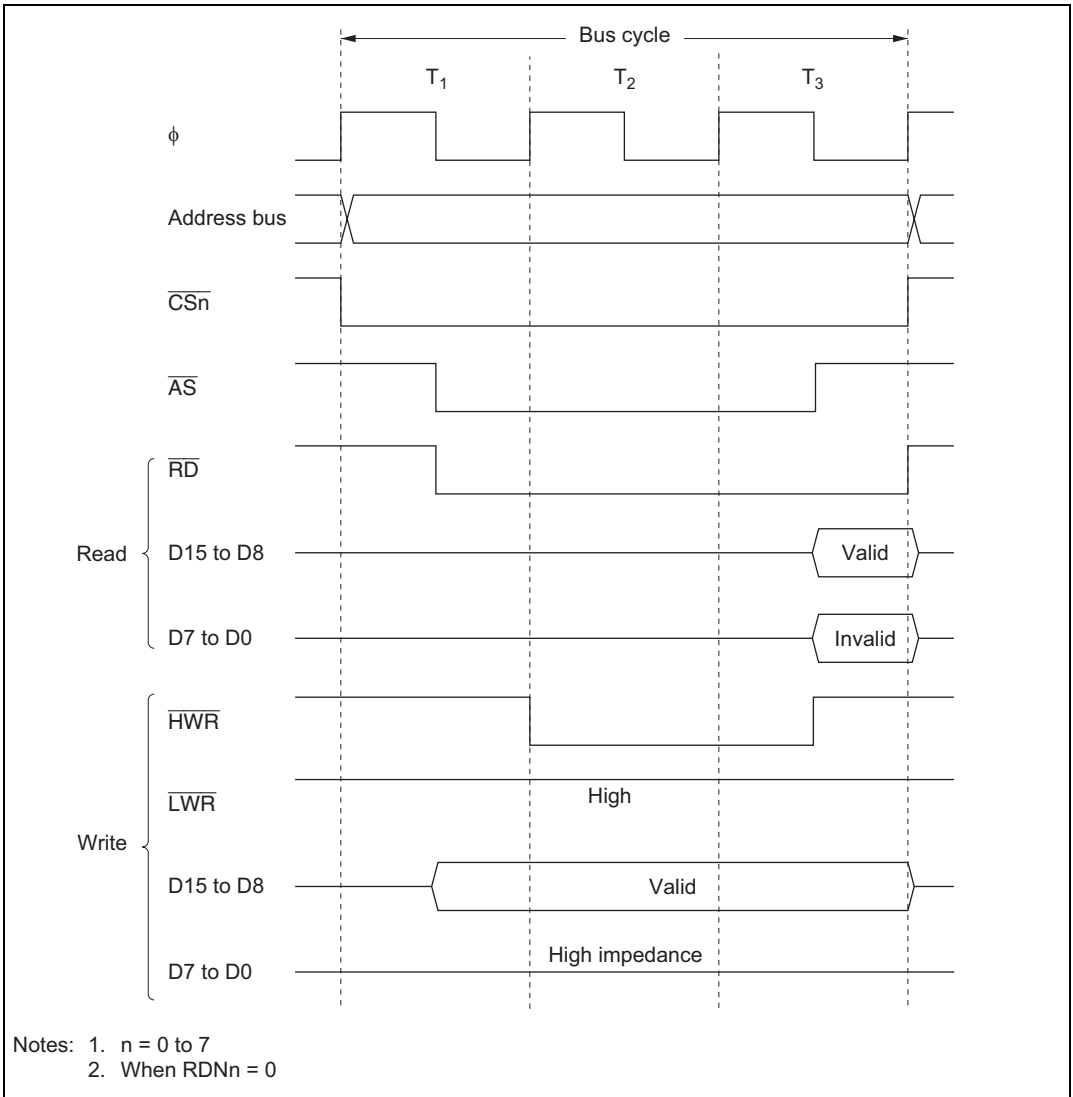
### 6.5.3 Basic Timing

**8-Bit, 2-State Access Space:** Figure 6.10 shows the bus timing for an 8-bit, 2-state access space. When an 8-bit access space is accessed, the upper half (D15 to D8) of the data bus is used. The  $\overline{LWR}$  pin is always fixed high. Wait states can be inserted.



**Figure 6.10 Bus Timing for 8-Bit, 2-State Access Space**

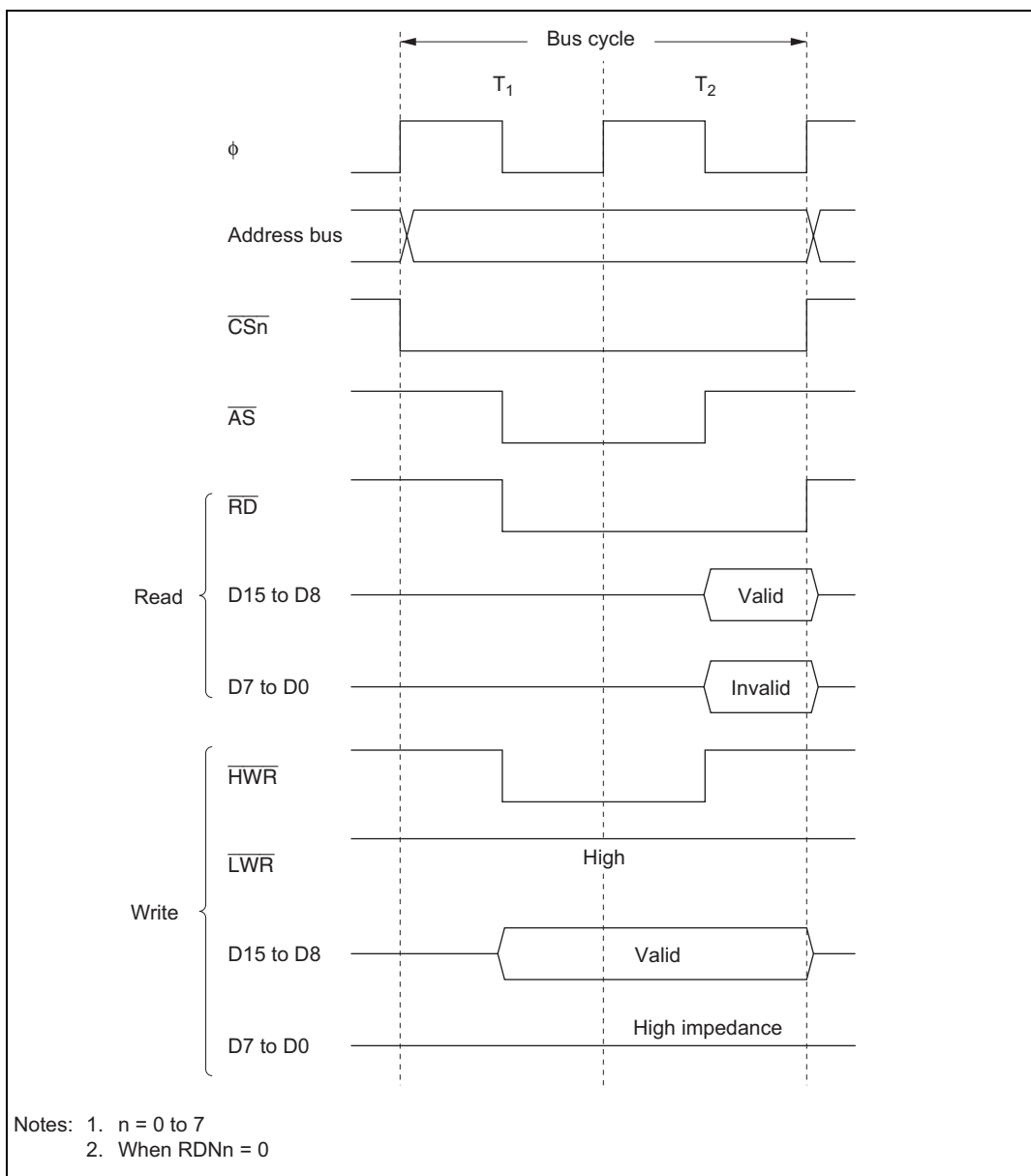
**8-Bit, 3-State Access Space:** Figure 6.11 shows the bus timing for an 8-bit, 3-state access space. When an 8-bit access space is accessed, the upper half (D15 to D8) of the data bus is used. The  $\overline{\text{LWR}}$  pin is always fixed high. Wait states can be inserted.



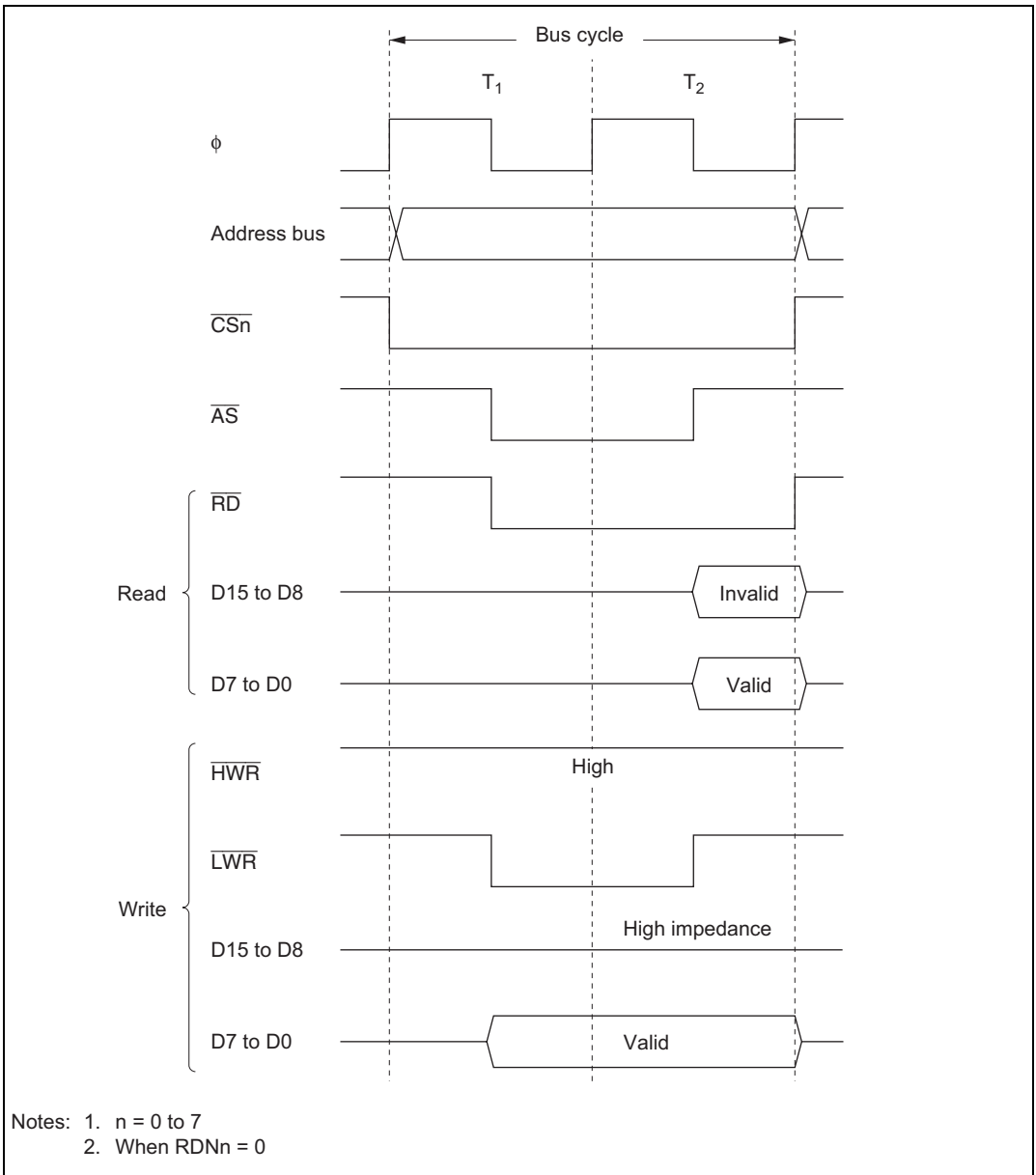
**Figure 6.11 Bus Timing for 8-Bit, 3-State Access Space**

**16-Bit, 2-State Access Space:** Figures 6.12 to 6.14 show bus timings for a 16-bit, 2-state access space. When a 16-bit access space is accessed, the upper half (D15 to D8) of the data bus is used

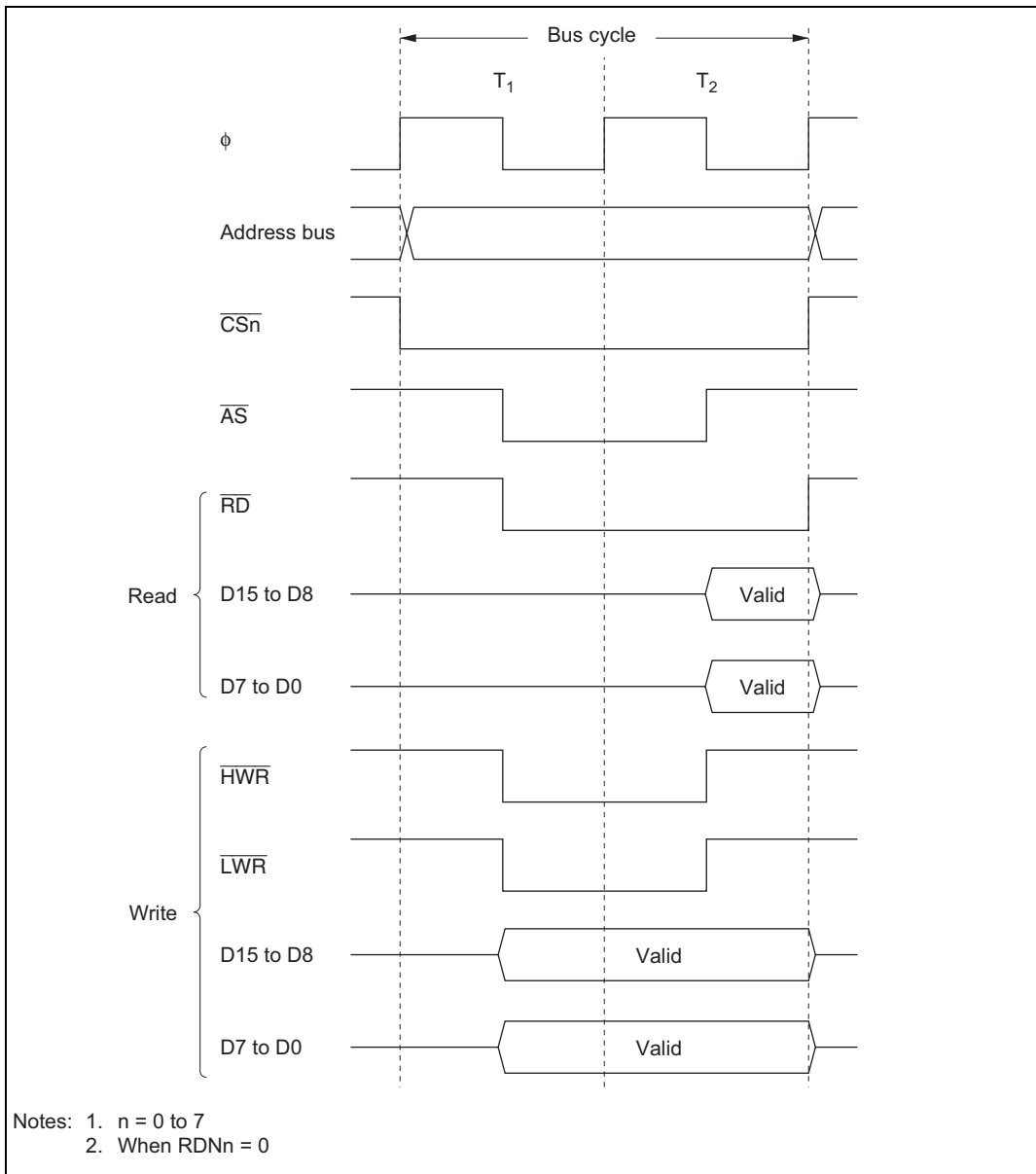
for odd addresses, and the lower half (D7 to D0) for even addresses. Wait states cannot be inserted.



**Figure 6.12 Bus Timing for 16-Bit, 2-State Access Space  
(Even Address Byte Access)**

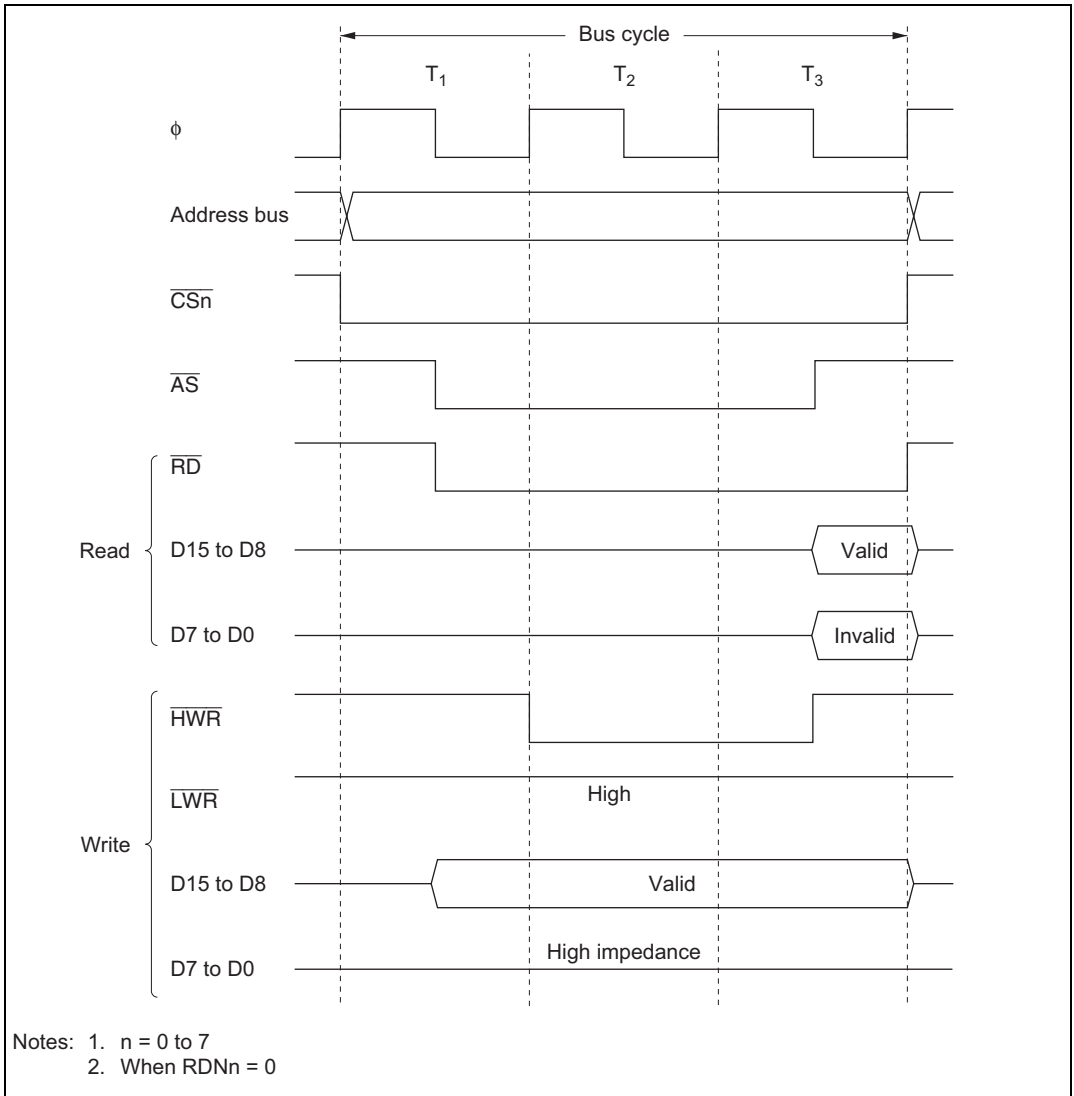


**Figure 6.13 Bus Timing for 16-Bit, 2-State Access Space (Odd Address Byte Access)**



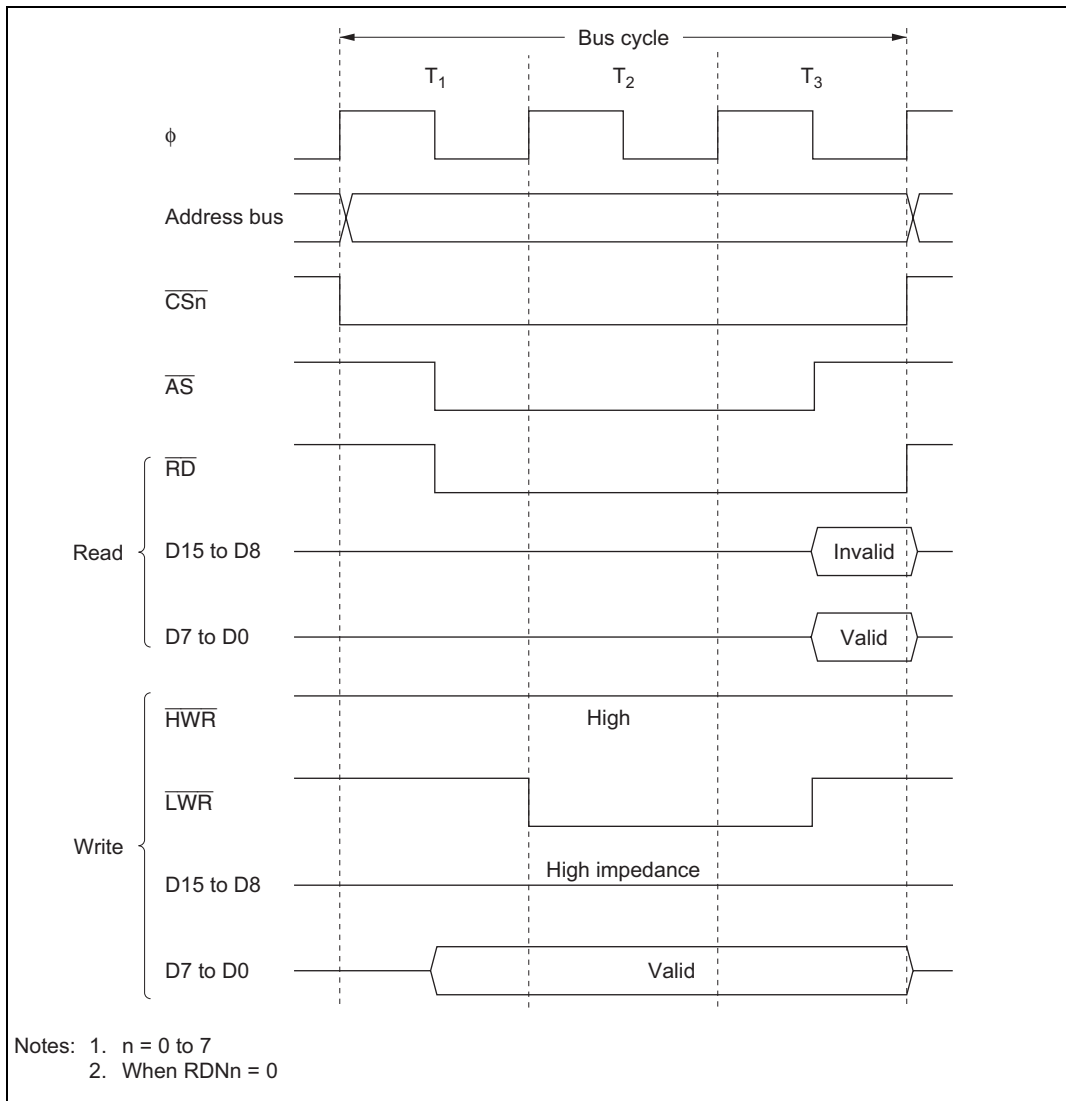
**Figure 6.14 Bus Timing for 16-Bit, 2-State Access Space  
(Word Access)**

**16-Bit, 3-State Access Space:** Figures 6.15 to 6.17 show bus timings for a 16-bit, 3-state access space. When a 16-bit access space is accessed, the upper half (D15 to D8) of the data bus is used for the even address, and the lower half (D7 to D0) for the odd address. Wait states can be inserted.

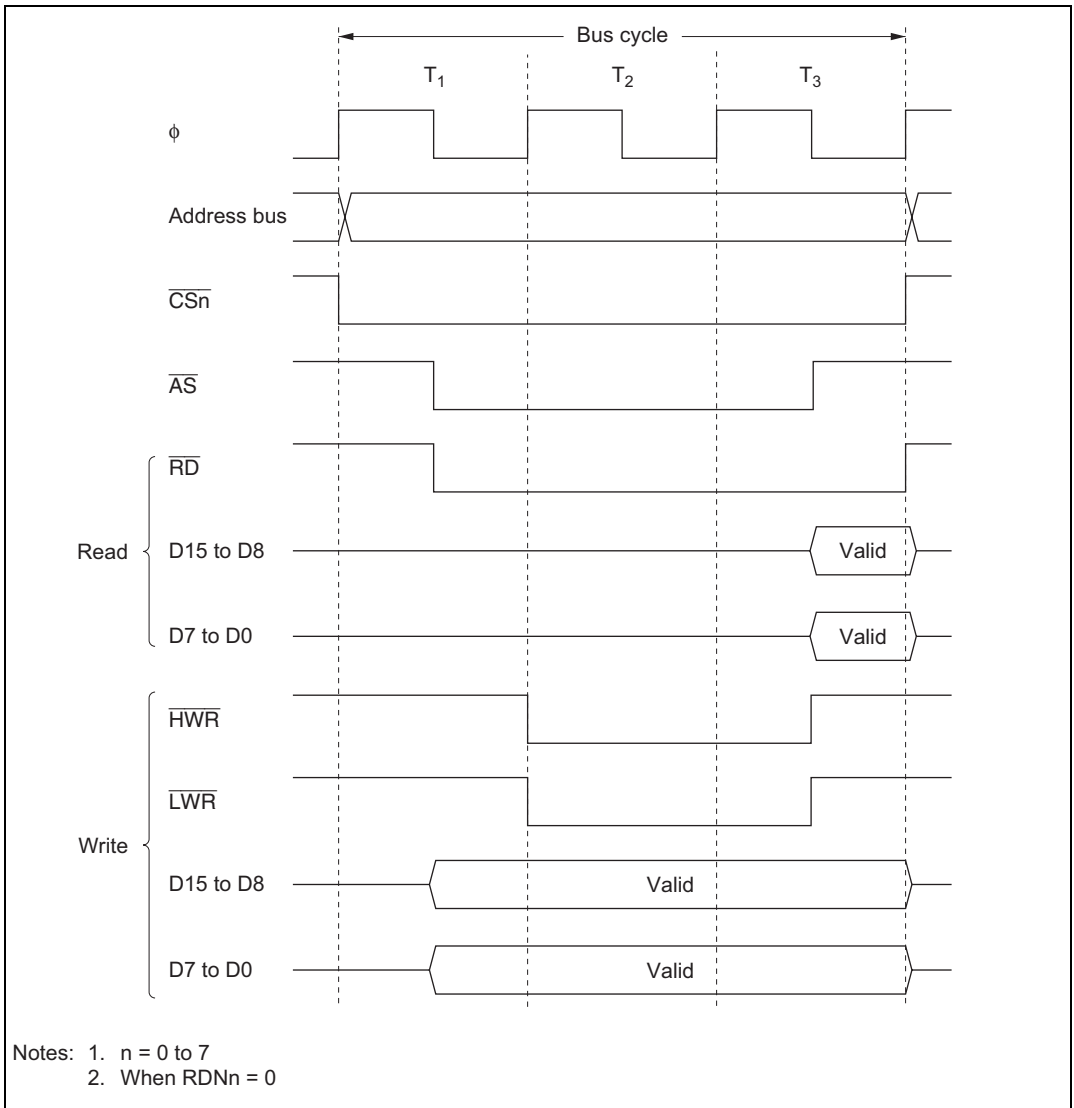


**Figure 6.15 Bus Timing for 16-Bit, 3-State Access Space  
(Even Address Byte Access)**





**Figure 6.16 Bus Timing for 16-Bit, 3-State Access Space  
(Odd Address Byte Access)**



**Figure 6.17 Bus Timing for 16-Bit, 3-State Access Space (Word Access)**

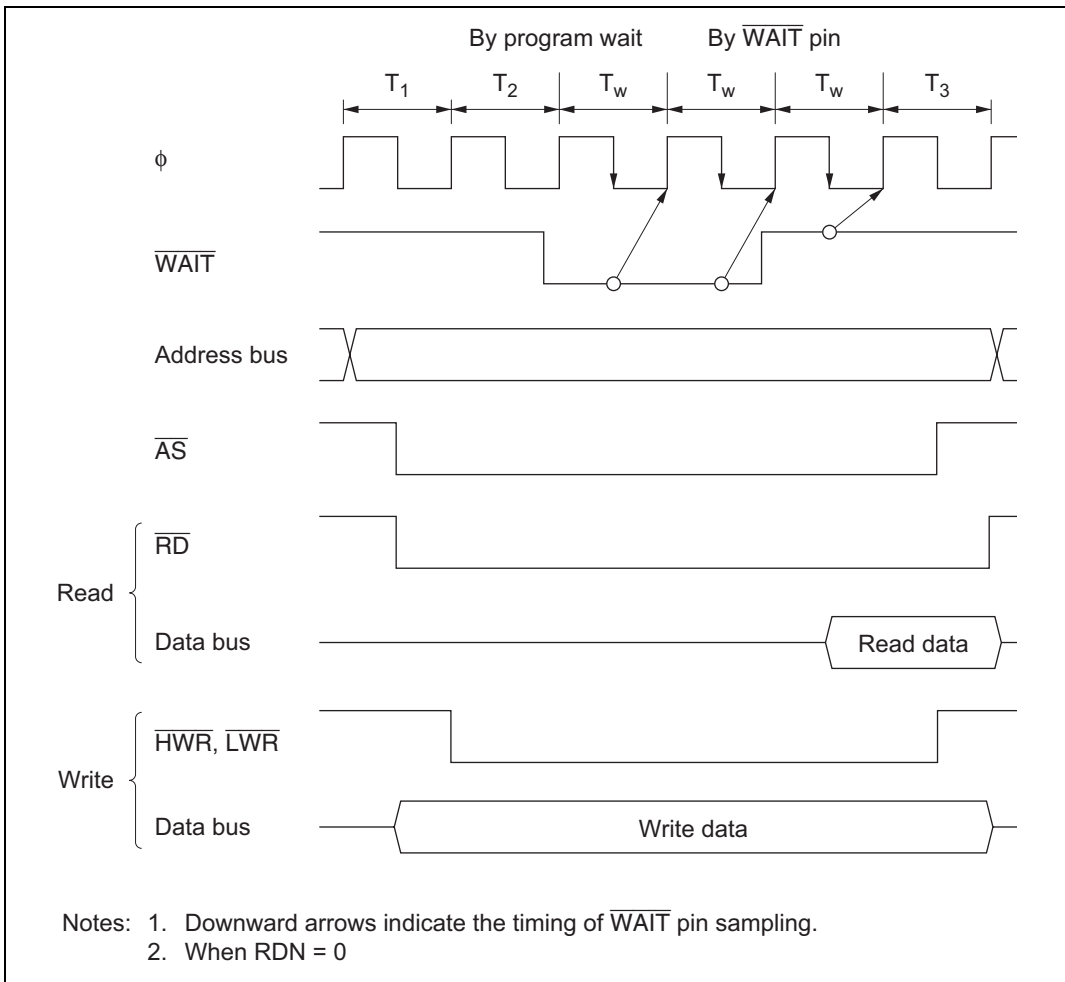
#### 6.5.4 Wait Control

When accessing external space, this LSI can extend the bus cycle by inserting one or more wait states ( $T_w$ ). There are two ways of inserting wait states: program wait insertion and pin wait insertion using the  $\overline{\text{WAIT}}$  pin.

**Program Wait Insertion:** From 0 to 7 wait states can be inserted automatically between the  $T_2$  state and  $T_3$  state on an individual area basis in 3-state access space, according to the settings in WTCRA and WTCRB.

**Pin Wait Insertion:** Setting the WAITE bit to 1 in BCR enables wait input by means of the  $\overline{\text{WAIT}}$  pin. When external space is accessed in this state, a program wait is first inserted in accordance with the settings in WTCRA and WTCRB. If the  $\overline{\text{WAIT}}$  pin is low at the falling edge of  $\phi$  in the last  $T_2$  or  $T_w$  state, another  $T_w$  state is inserted. If the  $\overline{\text{WAIT}}$  pin is held low,  $T_w$  states are inserted until it goes high. This is useful when inserting seven or more  $T_w$  states, or when changing the number of  $T_w$  states to be inserted for different external devices. The WAITE bit setting applies to all areas. Figure 6.18 shows an example of wait state insertion timing.

The settings after a reset are: 3-state access, insertion of 7 program wait states, and  $\overline{\text{WAIT}}$  input disabled.

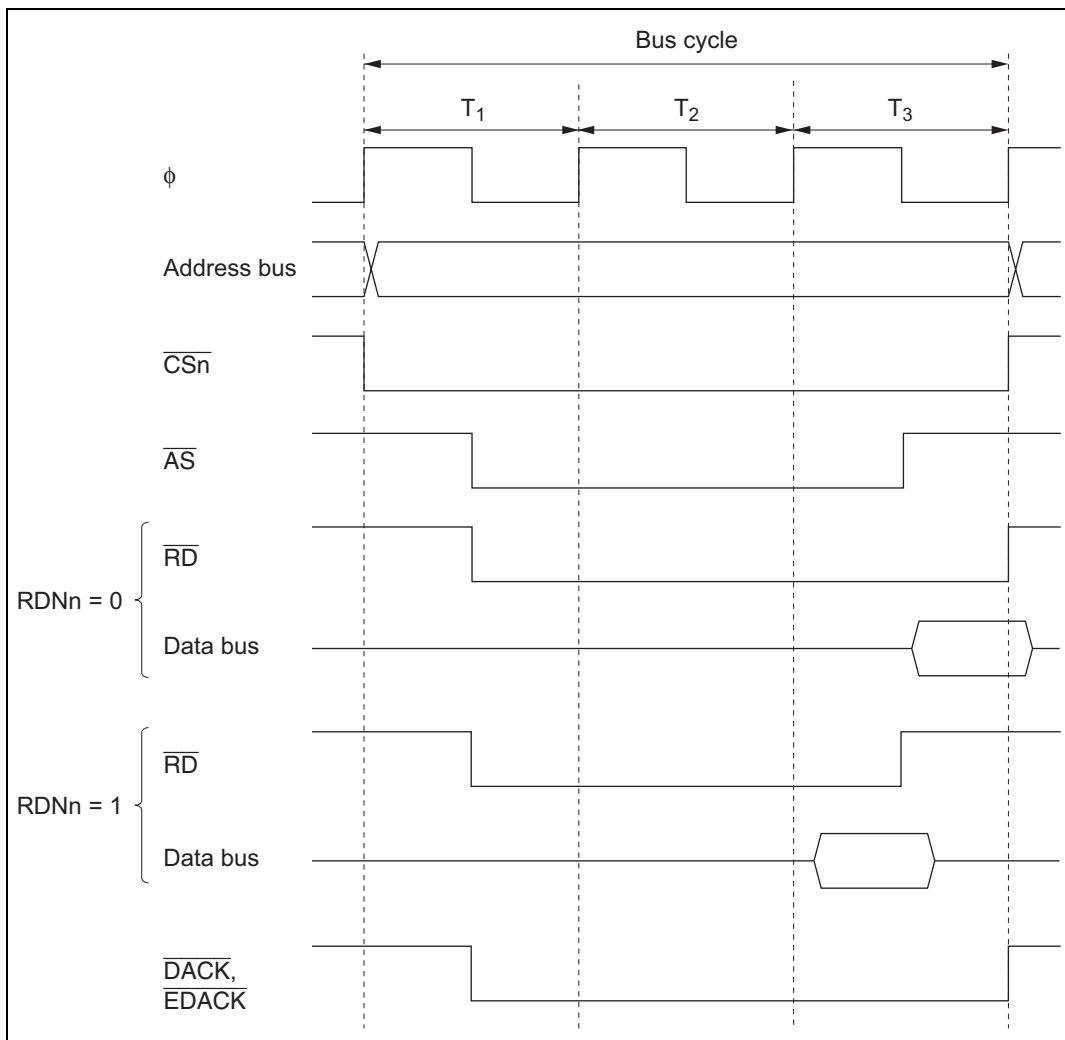


**Figure 6.18 Example of Wait State Insertion Timing**

### 6.5.5 Read Strobe ( $\overline{\text{RD}}$ ) Timing

The read strobe ( $\overline{\text{RD}}$ ) timing can be changed for individual areas by setting bits  $\text{RDN7}$  to  $\text{RDN0}$  to 1 in  $\text{RDNCr}$ . Figure 6.19 shows an example of the timing when the read strobe timing is changed in basic bus 3-state access space.

When the DMAC or EXDMAC is used in single address mode, note that if the  $\overline{\text{RD}}$  timing is changed by setting  $\text{RDNn}$  to 1, the  $\overline{\text{RD}}$  timing will change relative to the rise of  $\overline{\text{DACK}}$  or  $\overline{\text{EDACK}}$ .

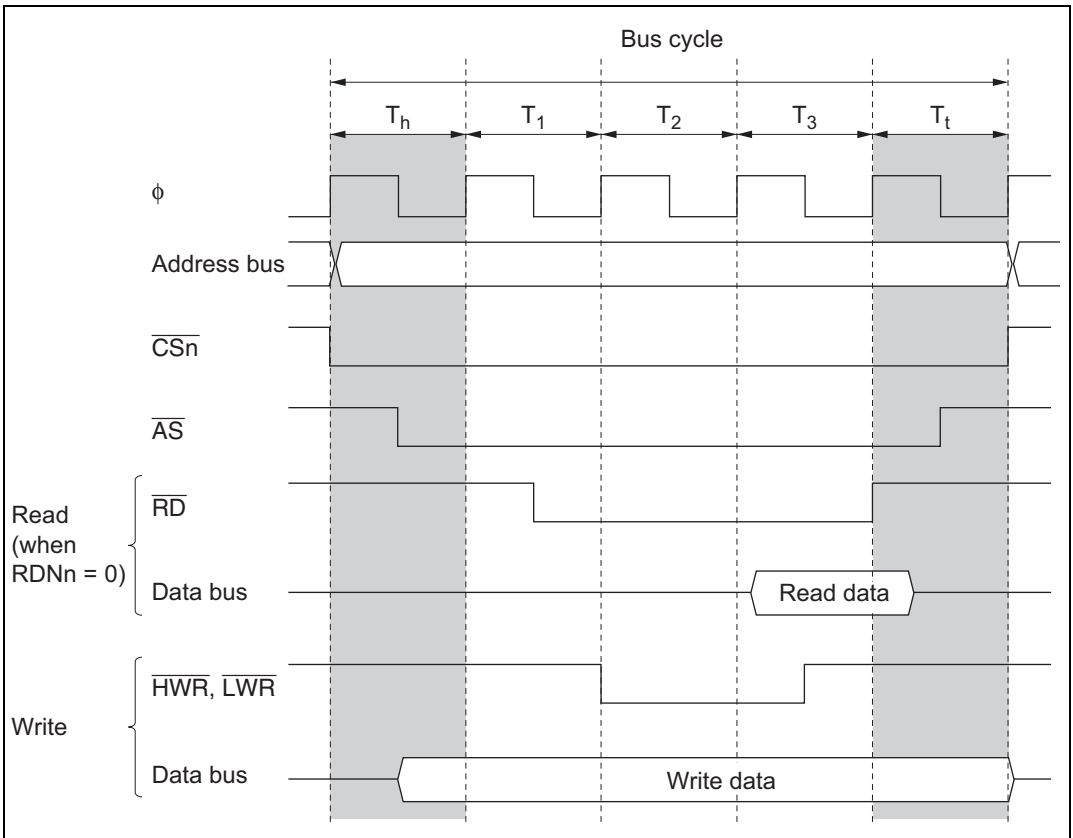


**Figure 6.19 Example of Read Strobe Timing**

### 6.5.6 Extension of Chip Select ( $\overline{CS}$ ) Assertion Period

Some external I/O devices require a setup time and hold time between address and  $\overline{CS}$  signals and strobe signals such as  $\overline{RD}$ ,  $\overline{HWR}$ , and  $\overline{LWR}$ . Settings can be made in the CSACR register to insert states in which only the  $\overline{CS}$ ,  $\overline{AS}$ , and address signals are asserted before and after a basic bus space access cycle. Extension of the  $\overline{CS}$  assertion period can be set for individual areas. With the  $\overline{CS}$  assertion extension period in write access, the data setup and hold times are less stringent since the write data is output to the data bus.

Figure 6.20 shows an example of the timing when the  $\overline{CS}$  assertion period is extended in basic bus 3-state access space.



**Figure 6.20 Example of Timing when Chip Select Assertion Period Is Extended**

Both extension state  $T_h$  inserted before the basic bus cycle and extension state  $T_t$  inserted after the basic bus cycle, or only one of these, can be specified for individual areas. Insertion or non-insertion can be specified for the  $T_h$  state with the upper 8 bits ( $CSXH7$  to  $CSXH0$ ) in the CSACR register, and for the  $T_t$  state with the lower 8 bits ( $CSXT7$  to  $CSXT0$ ).

## 6.6 DRAM Interface

In this LSI, external space areas 2 to 5 can be designated as DRAM space, and DRAM interfacing performed. The DRAM interface allows DRAM to be directly connected to this LSI. A DRAM space of 2, 4, or 8 Mbytes can be set by means of bits RMTS2 to RMTS0 in DRAMCR. Burst operation is also possible, using fast page mode.

### 6.6.1 Setting DRAM Space

Areas 2 to 5 are designated as DRAM space by setting bits RMTS2 to RMTS0 in DRAMCR. The relation between the settings of bits RMTS2 to RMTS0 and DRAM space is shown in table 6.4. Possible DRAM space settings are: one area (area 2), two areas (areas 2 and 3), four areas (areas 2 to 5), and continuous area (areas 2 to 5).

**Table 6.4 Relation between Settings of Bits RMTS2 to RMTS0 and DRAM Space**

| RMTS2 | RMTS1 | RMTS0 | Area 5                                      | Area 4                | Area 3                | Area 2                |
|-------|-------|-------|---|-----------------------|-----------------------|-----------------------|
| 0     | 0     | 1     | Normal space                                | Normal space          | Normal space          | DRAM space            |
|       | 1     | 0     | Normal space                                | Normal space          | DRAM space            | DRAM space            |
|       |       | 1     | DRAM space                                  | DRAM space            | DRAM space            | DRAM space            |
| 1     | 0     | 0     | Continuous synchronous DRAM space*          |                       |                       |                       |
|       |       | 1     | Mode register settings of synchronous DRAM* |                       |                       |                       |
|       | 1     | 0     | Reserved (setting prohibited)               |                       |                       |                       |
|       |       | 1     | Continuous DRAM space                       | Continuous DRAM space | Continuous DRAM space | Continuous DRAM space |

Note: \* Reserved (setting prohibited) in the H8S/2378 Group.

With continuous DRAM space,  $\overline{\text{RAS2}}$  is valid. The bus specifications (bus width, number of wait states, etc.) for continuous DRAM space conform to the settings for area 2.

### 6.6.2 Address Multiplexing

With DRAM space, the row address and column address are multiplexed. In address multiplexing, the size of the shift of the row address is selected with bits MXC2 to MXC0 in DRAMCR. Table 6.5 shows the relation between the settings of MXC2 to MXC0 and the shift size.

The MXC2 bit should be cleared to 0 when the DRAM interface is used.

**Table 6.5 Relation between Settings of Bits MXC2 to MXC0 and Address Multiplexing**

|                | DRAMCR |      |         | Shift Size                    | Address Pins |     |     |     |     |     |     |     |     |     |     |     |     |     |     |    |    |
|----------------|--------|------|---------|-------------------------------|--------------|-----|-----|-----|-----|-----|-----|-----|-----|-----|-----|-----|-----|-----|-----|----|----|
|                | MXC2   | MXC1 | MXC0    |                               | A23 to A16   | A15 | A14 | A13 | A12 | A11 | A10 | A9  | A8  | A7  | A6  | A5  | A4  | A3  | A2  | A1 | A0 |
| Row address    | 0      | 0    | 0       | 8 bits                        | A23 to A16   | A23 | A22 | A21 | A20 | A19 | A18 | A17 | A16 | A15 | A14 | A13 | A12 | A11 | A10 | A9 | A8 |
|                |        |      | 1       | 9 bits                        | A23 to A16   | A23 | A22 | A21 | A20 | A19 | A18 | A17 | A16 | A15 | A14 | A13 | A12 | A11 | A10 | A9 |    |
|                | 1      | 0    | 10 bits | A23 to A16                    | A23          | A22 | A21 | A20 | A19 | A18 | A17 | A16 | A15 | A14 | A13 | A12 | A11 | A10 |     |    |    |
|                |        | 1    | 11 bits | A23 to A16                    | A23          | A22 | A21 | A20 | A19 | A18 | A17 | A16 | A15 | A14 | A13 | A12 | A11 |     |     |    |    |
|                | 1      | ×    | ×       | Reserved (setting prohibited) |              |     |     |     |     |     |     |     |     |     |     |     |     |     |     |    |    |
| Column address | 0      | ×    | ×       | —                             | A23 to A16   | A15 | A14 | A13 | A12 | A11 | A10 | A9  | A8  | A7  | A6  | A5  | A4  | A3  | A2  | A1 | A0 |
|                | 1      | ×    | ×       | Reserved (setting prohibited) |              |     |     |     |     |     |     |     |     |     |     |     |     |     |     |    |    |

Legend:

x: Don't care.

### 6.6.3 Data Bus

If a bit in ABWCR corresponding to an area designated as DRAM space is set to 1, that area is designated as 8-bit DRAM space; if the bit is cleared to 0, the area is designated as 16-bit DRAM space. In 16-bit DRAM space, ×16-bit configuration DRAM can be connected directly.

In 8-bit DRAM space the upper half of the data bus, D15 to D8, is enabled, while in 16-bit DRAM space both the upper and lower halves of the data bus, D15 to D0, are enabled.

Access sizes and data alignment are the same as for the basic bus interface: see section 6.5.1, Data Size and Data Alignment.



### 6.6.4 Pins Used for DRAM Interface

Table 6.6 shows the pins used for DRAM interfacing and their functions. Since the  $\overline{CS2}$  to  $\overline{CS5}$  pins are in the input state after a reset, set the corresponding DDR to 1 when RAS2 to RAS5 signals are output.

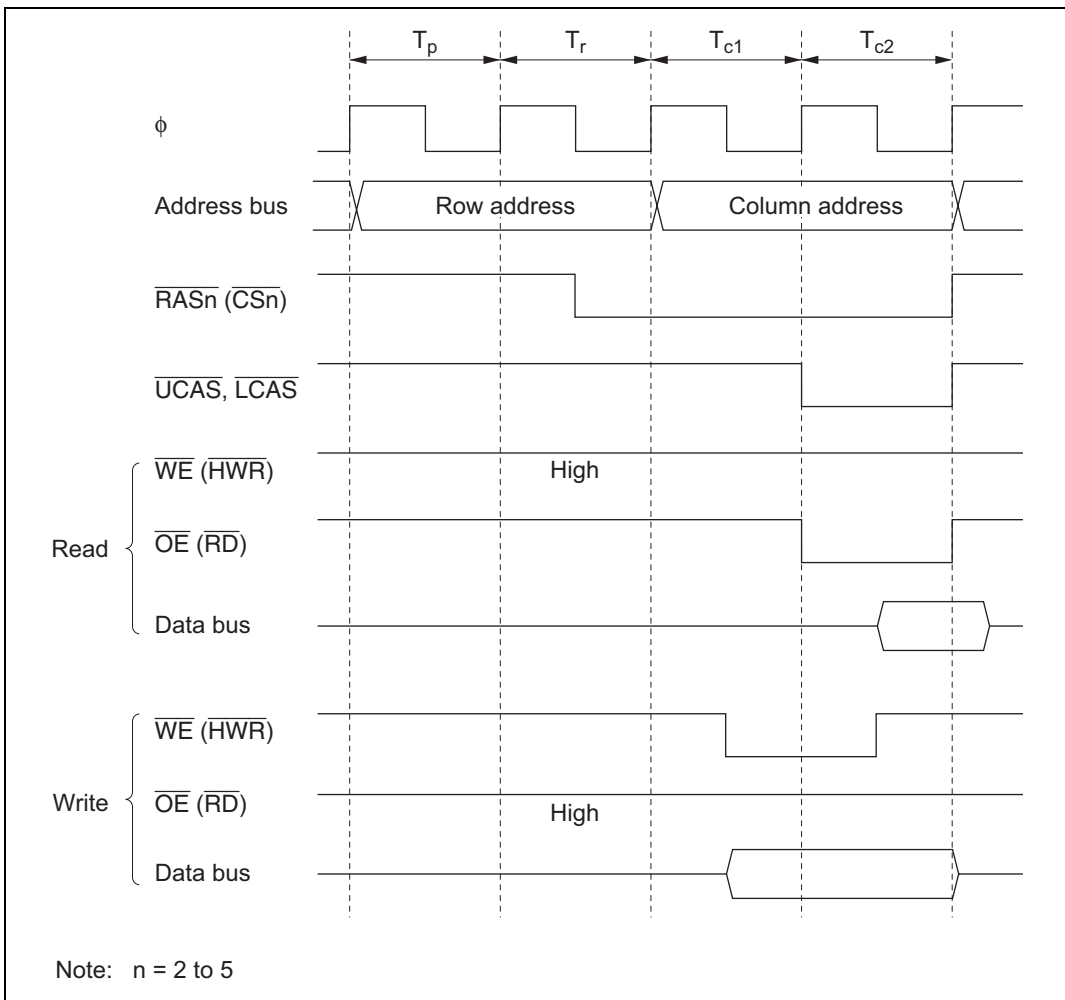
**Table 6.6 DRAM Interface Pins**

| Pin                            | With DRAM Setting     | Name  | I/O    | Function   |
|--------------------------------|-----------------------|---|--------|--|
| HWR                            | $\overline{WE}$       | Write enable                                | Output | Write enable for DRAM space access   |
| $\overline{CS2}$               | $\overline{RAS2/RAS}$ | Row address strobe 2/<br>row address strobe | Output | Row address strobe when area 2 is designated as DRAM space or row address strobe when areas 2 to 5 are designated as continuous DRAM space |
| $\overline{CS3}$               | $\overline{RAS3}$     | Row address strobe 3                        | Output | Row address strobe when area 3 is designated as DRAM space   |
| $\overline{CS4}$               | $\overline{RAS4}$     | Row address strobe 4                        | Output | Row address strobe when area 4 is designated as DRAM space   |
| $\overline{CS5}$               | $\overline{RAS5}$     | Row address strobe 5                        | Output | Row address strobe when area 5 is designated as DRAM space   |
| $\overline{UCAS}$              | $\overline{UCAS}$     | Upper column address strobe                 | Output | Upper column address strobe for 16-bit DRAM space access or column address strobe for 8-bit DRAM space access                              |
| $\overline{LCAS}$              | $\overline{LCAS}$     | Lower column address strobe                 | Output | Lower column address strobe signal for 16-bit DRAM space access  |
| $\overline{RD}, \overline{OE}$ | $\overline{OE}$       | Output enable                               | Output | Output enable signal for DRAM space access   |
| $\overline{WAIT}$              | $\overline{WAIT}$     | Wait  | Input  | Wait request signal  |
| A15 to A0                      | A15 to A0             | Address pins                                | Output | Row address/column address multiplexed output  |
| D15 to D0                      | D15 to D0             | Data pins                                   | I/O    | Data input/output pins   |

### 6.6.5 Basic Timing

Figure 6.21 shows the basic access timing for DRAM space.

The four states of the basic timing consist of one  $T_p$  (precharge cycle) state, one  $T_r$  (row address output cycle) state, and the  $T_{c1}$  and two  $T_{c2}$  (column address output cycle) states.



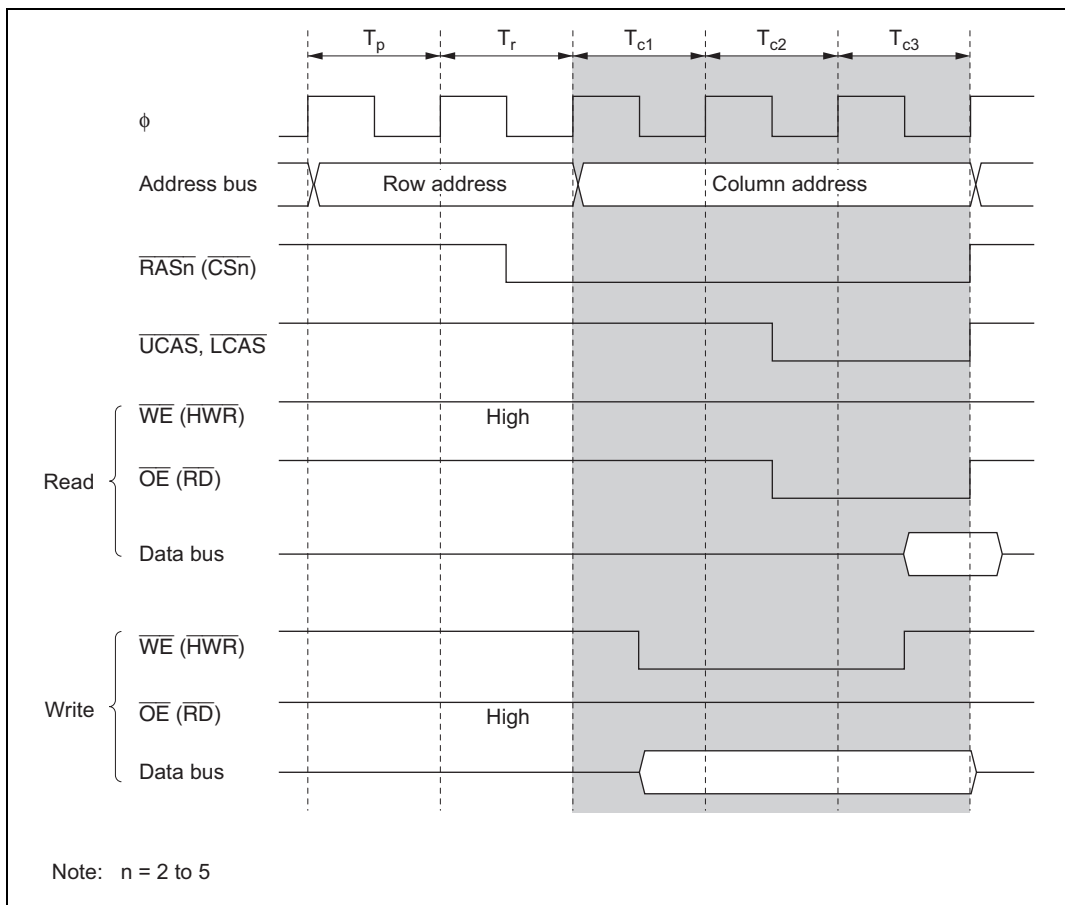
**Figure 6.21 DRAM Basic Access Timing (RAST = 0, CAST = 0)**

When DRAM space is accessed, the  $\overline{RD}$  signal is output as the  $\overline{OE}$  signal for DRAM. When connecting DRAM provided with an EDO page mode, the  $\overline{OE}$  signal should be connected to the ( $\overline{OE}$ ) pin of the DRAM. Setting the OEE bit to 1 in DRAMCR enables the  $\overline{OE}$  signal for DRAM

space to be output from a dedicated  $\overline{\text{OE}}$  pin. In this case, the  $\overline{\text{OE}}$  signal for DRAM space is output from both the  $\overline{\text{RD}}$  pin and the ( $\overline{\text{OE}}$ ) pin, but in external read cycles for other than DRAM space, the signal is output only from the  $\overline{\text{RD}}$  pin.

### 6.6.6 Column Address Output Cycle Control

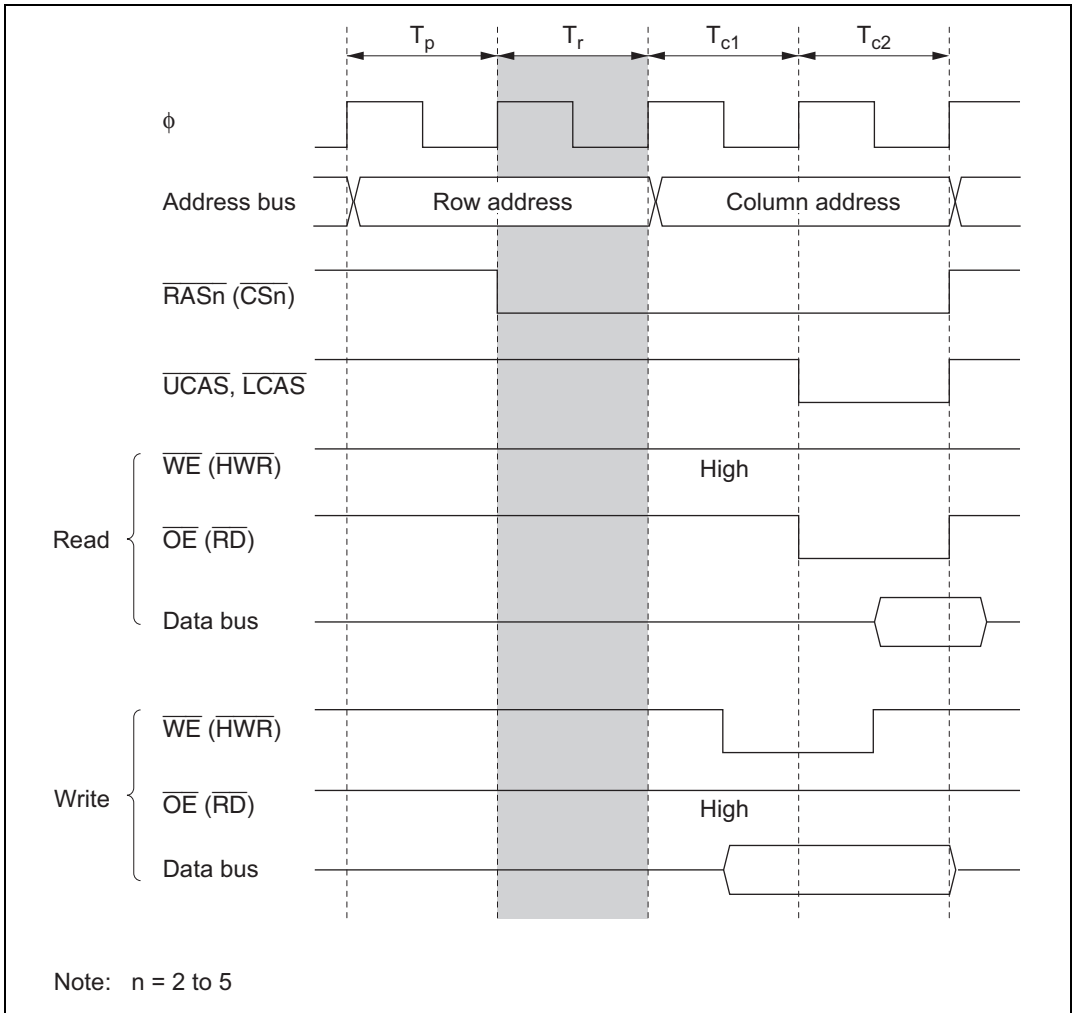
The column address output cycle can be changed from 2 states to 3 states by setting the CAST bit to 1 in DRAMCR. Use the setting that gives the optimum specification values (CAS pulse width, etc.) according to the DRAM connected and the operating frequency of this LSI. Figure 6.22 shows an example of the timing when a 3-state column address output cycle is selected.



**Figure 6.22 Example of Access Timing with 3-State Column Address Output Cycle (RAST = 0)**

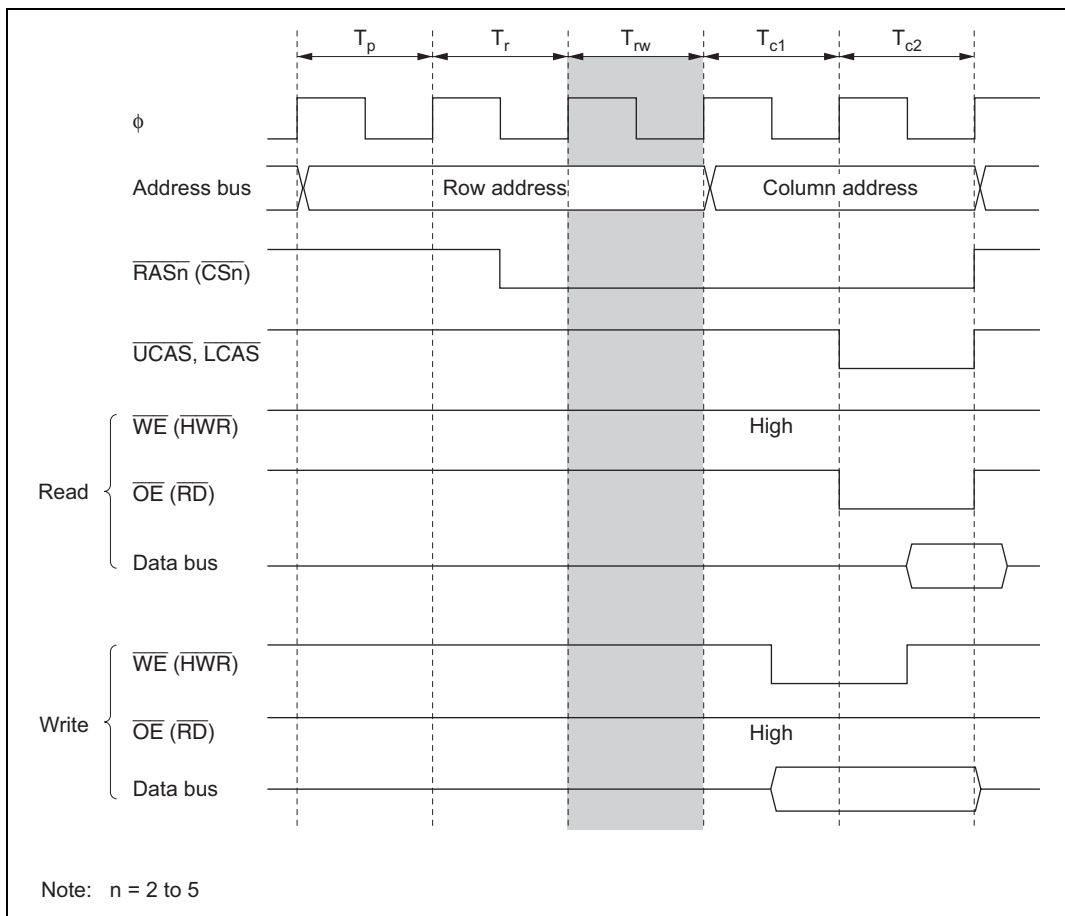
### 6.6.7 Row Address Output State Control

If the RAST bit is set to 1 in DRAMCR, the  $\overline{\text{RAS}}$  signal goes low from the beginning of the  $T_r$  state, and the row address hold time and DRAM read access time are changed relative to the fall of the  $\overline{\text{RAS}}$  signal. Use the optimum setting according to the DRAM connected and the operating frequency of this LSI. Figure 6.23 shows an example of the timing when the  $\overline{\text{RAS}}$  signal goes low from the beginning of the  $T_r$  state.



**Figure 6.23 Example of Access Timing when RAS Signal Goes Low from Beginning of  $T_r$  State (CAST = 0)**

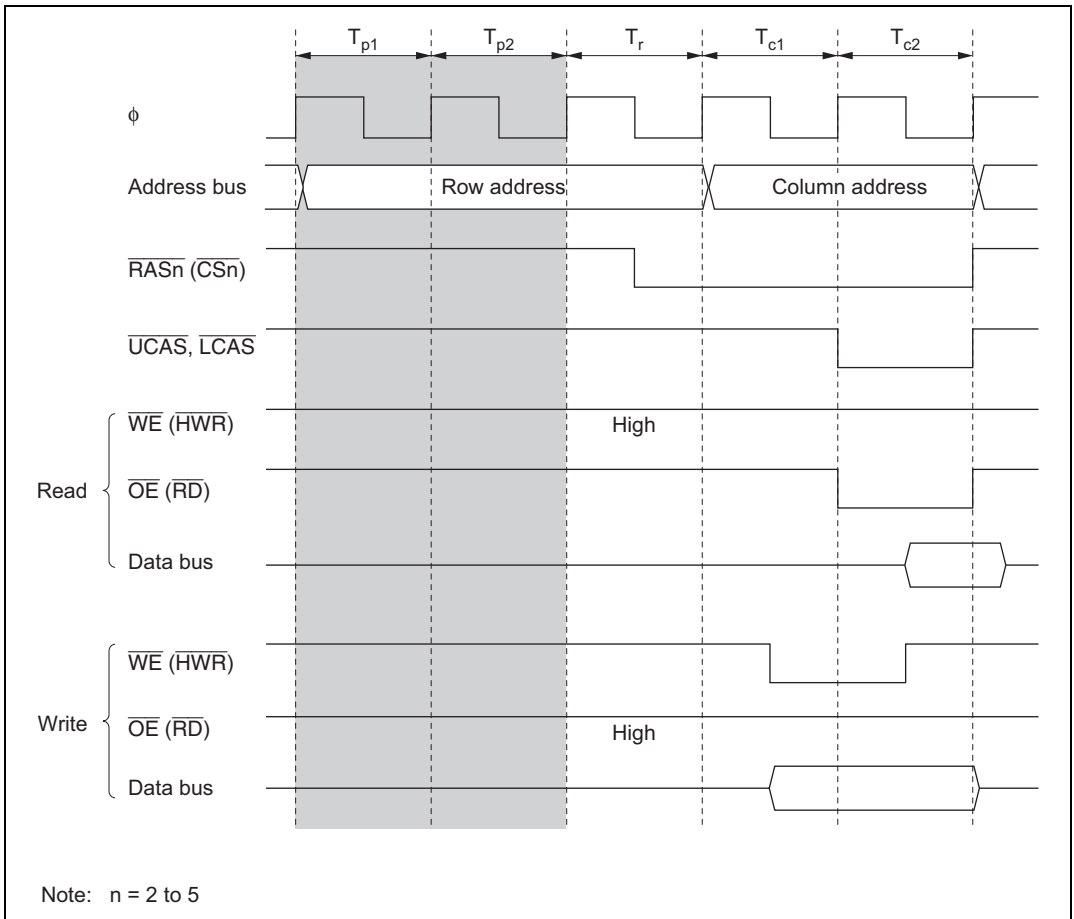
If a row address hold time or read access time is necessary, making a setting in bits RCD1 and RCD0 in DRACCR allows from one to three  $T_{rw}$  states, in which row address output is maintained, to be inserted between the  $T_r$  cycle, in which the  $\overline{RAS}$  signal goes low, and the  $T_{c1}$  cycle, in which the column address is output. Use the setting that gives the optimum row address signal hold time relative to the falling edge of the  $\overline{RAS}$  signal according to the DRAM connected and the operating frequency of this LSI. Figure 6.24 shows an example of the timing when one  $T_{rw}$  state is set.



**Figure 6.24 Example of Timing with One Row Address Output Maintenance State ( $RAS1 = 0$ ,  $CAST = 0$ )**

### 6.6.8 Precharge State Control

When DRAM is accessed, a  $\overline{\text{RAS}}$  precharge time must be secured. With this LSI, one  $T_p$  state is always inserted when DRAM space is accessed. From one to four  $T_p$  states can be selected by setting bits TPC1 and TPC0 in DRACCR. Set the optimum number of  $T_p$  cycles according to the DRAM connected and the operating frequency of this LSI. Figure 6.25 shows the timing when two  $T_p$  states are inserted. The setting of bits TPC1 and TPC0 is also valid for  $T_p$  states in refresh cycles.



**Figure 6.25 Example of Timing with Two-State Precharge Cycle  
( $\text{RAST} = 0$ ,  $\text{CAST} = 0$ )**

### 6.6.9 Wait Control

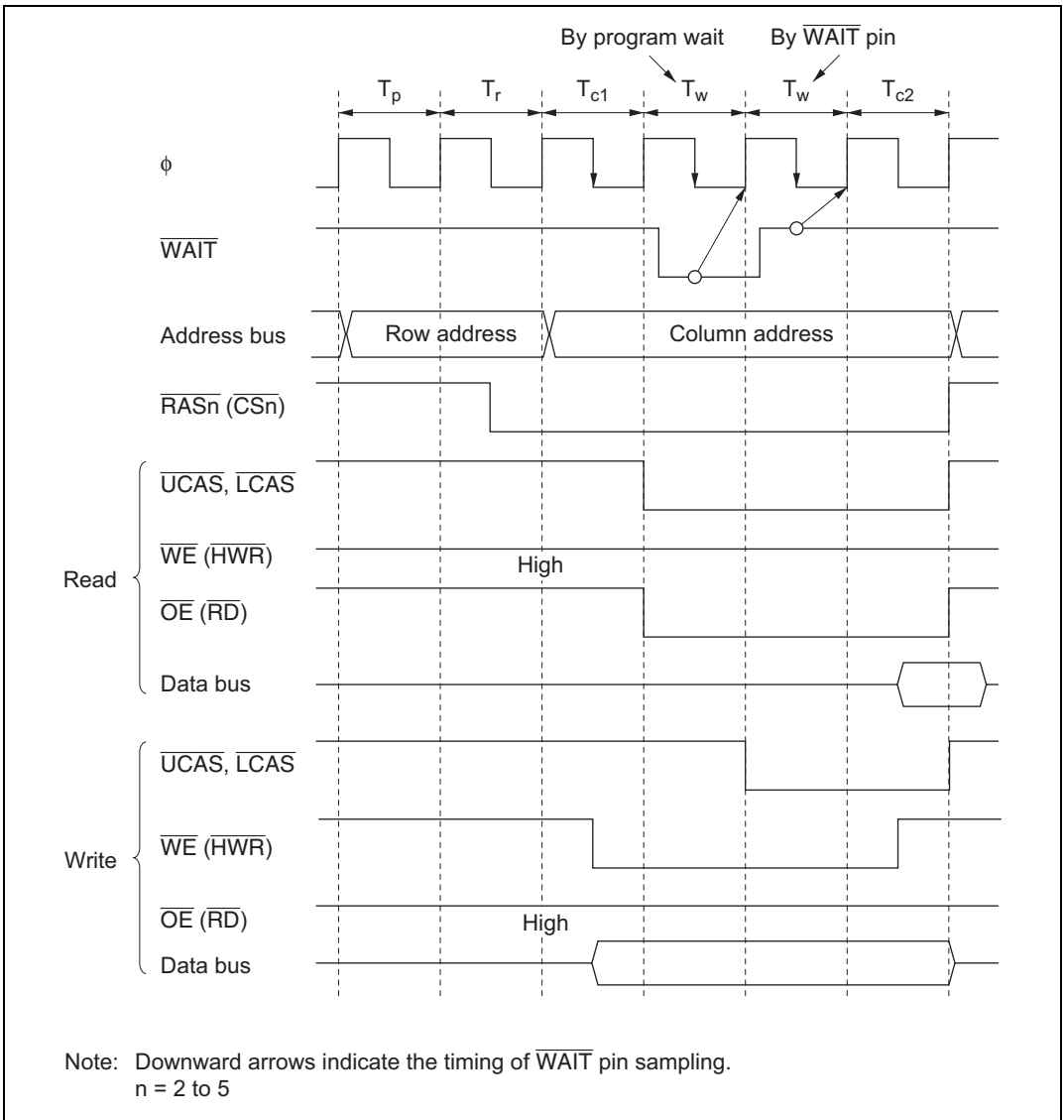
There are two ways of inserting wait states in a DRAM access cycle: program wait insertion and pin wait insertion using the  $\overline{\text{WAIT}}$  pin.

Wait states are inserted to extend the  $\overline{\text{CAS}}$  assertion period in a read access to DRAM space, and to extend the write data setup time relative to the falling edge of  $\overline{\text{CAS}}$  in a write access.

**Program Wait Insertion:** When the bit in ASTCR corresponding to an area designated as DRAM space is set to 1, from 0 to 7 wait states can be inserted automatically between the  $T_{c1}$  state and  $T_{c2}$  state, according to the settings in WTCR.

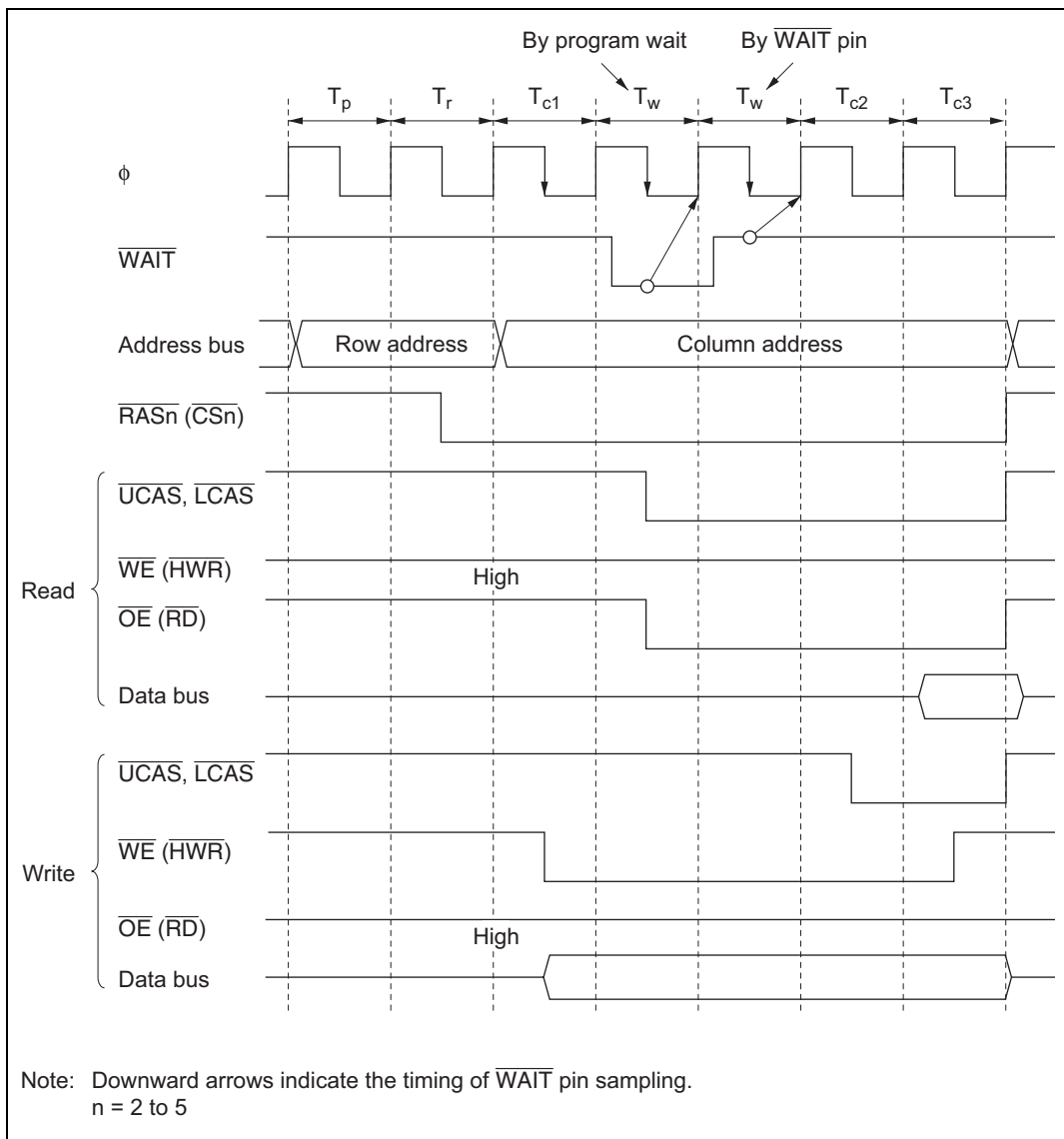
**Pin Wait Insertion:** When the WAITE bit in BCR is set to 1 and the ASTCR bit is set to 1, wait input by means of the  $\overline{\text{WAIT}}$  pin is enabled. When DRAM space is accessed in this state, a program wait ( $T_w$ ) is first inserted. If the  $\overline{\text{WAIT}}$  pin is low at the falling edge of  $\phi$  in the last  $T_{c1}$  or  $T_w$  state, another  $T_w$  state is inserted. If the  $\overline{\text{WAIT}}$  pin is held low,  $T_w$  states are inserted until it goes high.

Figures 6.26 and 6.27 show examples of wait cycle insertion timing in the case of 2-state and 3-state column address output cycles.



**Figure 6.26 Example of Wait State Insertion Timing  
(2-State Column Address Output)**

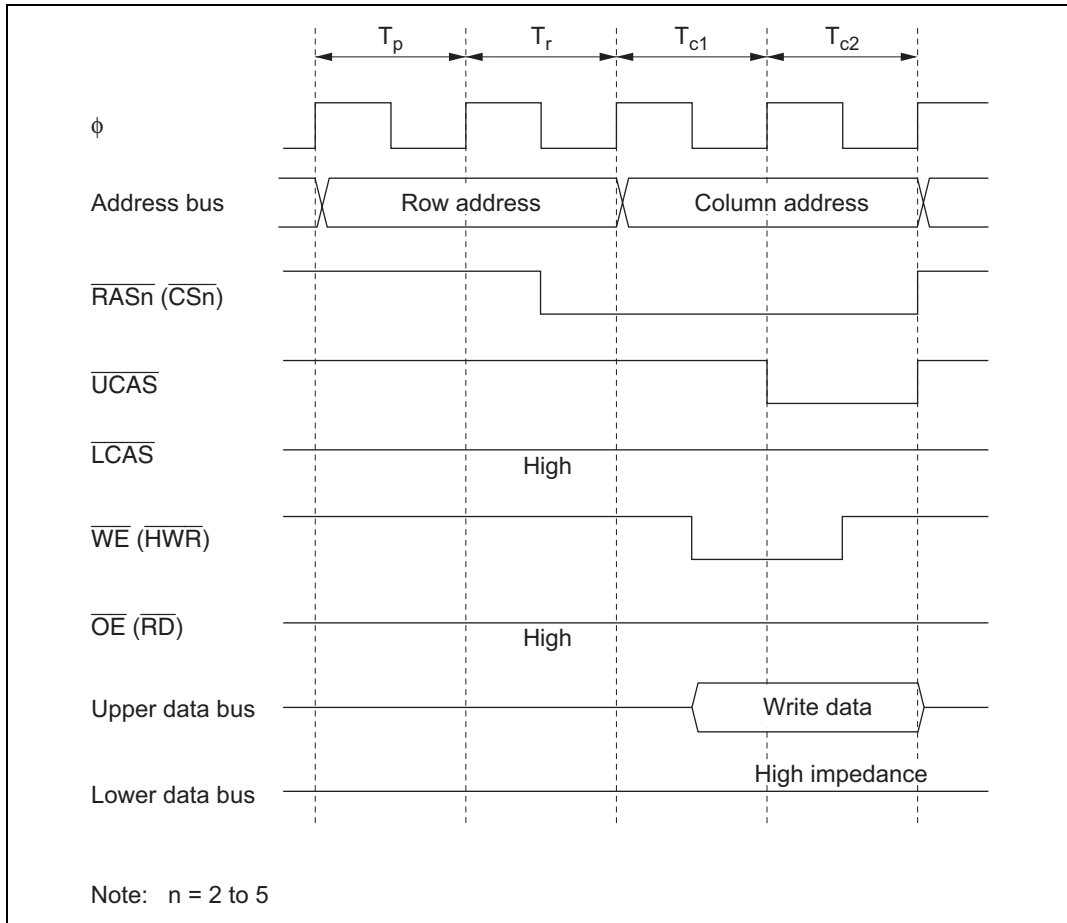




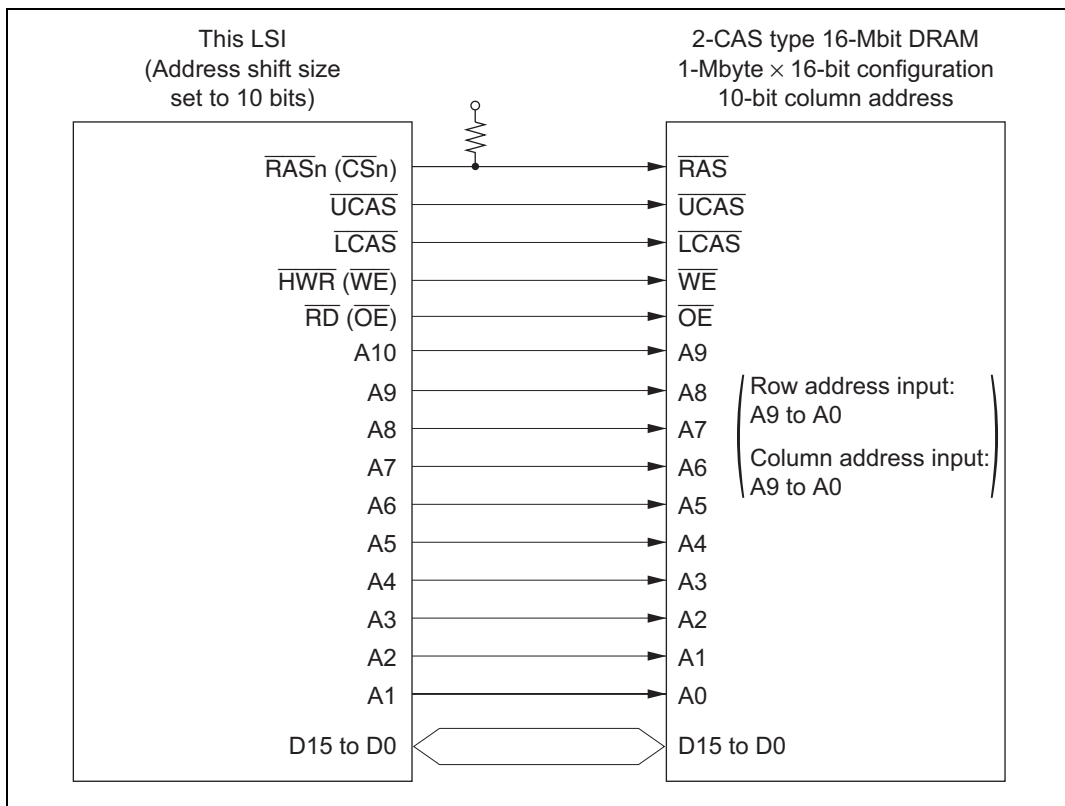
**Figure 6.27 Example of Wait State Insertion Timing  
(3-State Column Address Output)**

### 6.6.10 Byte Access Control

When DRAM with a  $\times 16$ -bit configuration is connected, the 2-CAS access method is used for the control signals needed for byte access. Figure 6.28 shows the control timing for 2-CAS access, and figure 6.29 shows an example of 2-CAS DRAM connection.



**Figure 6.28 2-CAS Control Timing**  
(Upper Byte Write Access:  $RASn = 0$ ,  $CAST = 0$ )

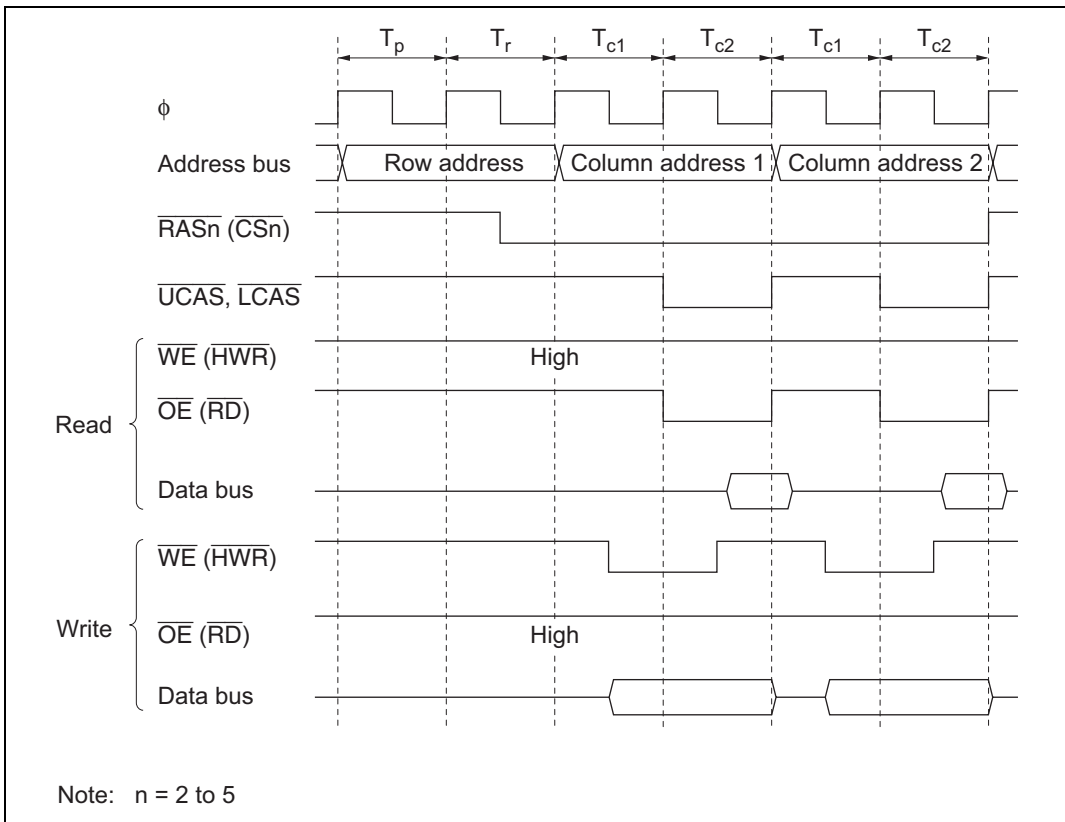


**Figure 6.29 Example of 2-CAS DRAM Connection**

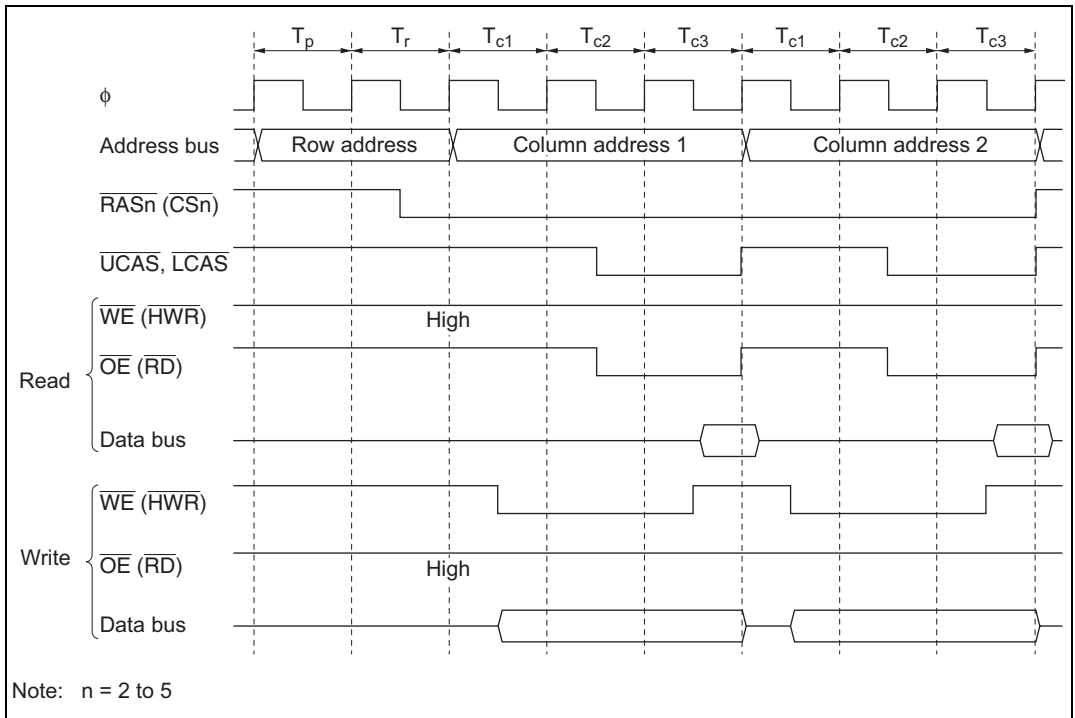
### 6.6.11 Burst Operation

With DRAM, in addition to full access (normal access) in which data is accessed by outputting a row address for each access, a fast page mode is also provided which can be used when making consecutive accesses to the same row address. This mode enables fast (burst) access of data by simply changing the column address after the row address has been output. Burst access can be selected by setting the BE bit to 1 in DRAMCR.

**Burst Access (Fast Page Mode):** Figures 6.30 and 6.31 show the operation timing for burst access. When there are consecutive access cycles for DRAM space, the  $\overline{\text{CAS}}$  signal and column address output cycles (two states) continue as long as the row address is the same for consecutive access cycles. The row address used for the comparison is set with bits MXC2 to MXC0 in DRAMCR.



**Figure 6.30 Operation Timing in Fast Page Mode**  
( $RAST = 0$ ,  $CAST = 0$ )



**Figure 6.31 Operation Timing in Fast Page Mode  
(RAST = 0, CAST = 1)**

The bus cycle can also be extended in burst access by inserting wait states. The wait state insertion method and timing are the same as for full access. For details see section 6.6.9, Wait Control.

**RAS Down Mode and RAS Up Mode:** Even when burst operation is selected, it may happen that access to DRAM space is not continuous, but is interrupted by access to another space. In this case, if the  $\overline{\text{RAS}}$  signal is held low during the access to the other space, burst operation can be resumed when the same row address in DRAM space is accessed again.

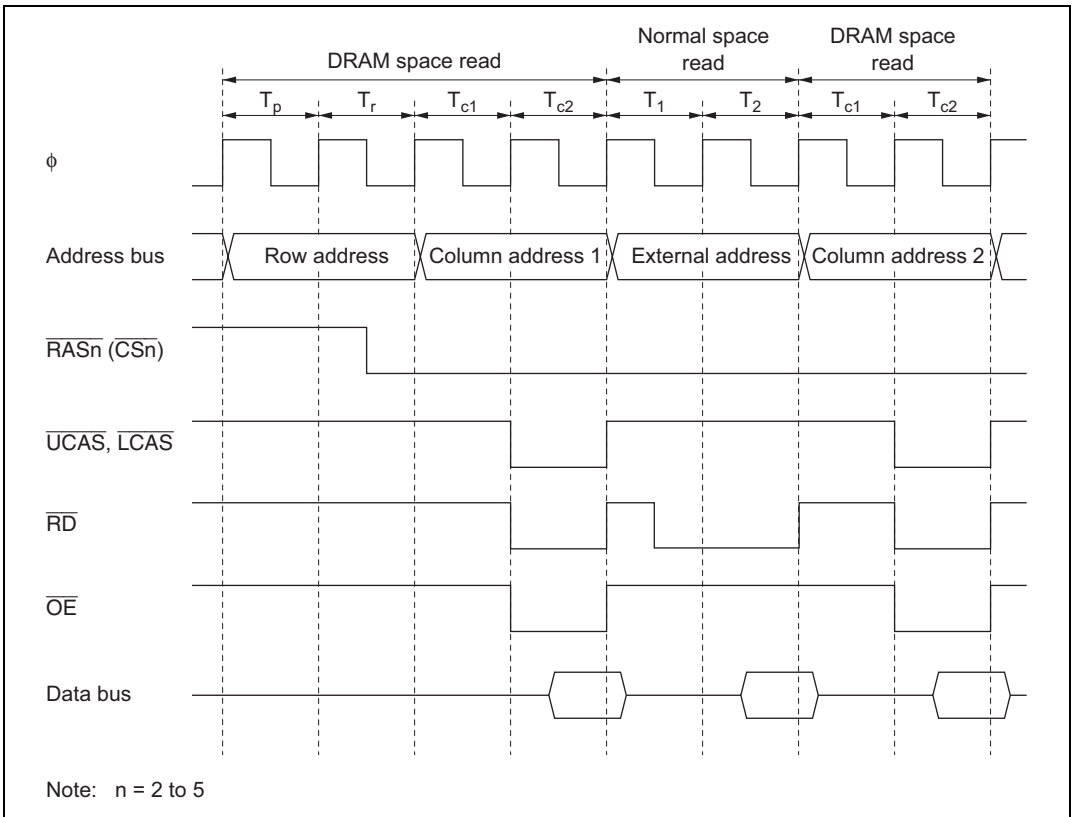
- RAS Down Mode

To select RAS down mode, set both the RCDM bit and the BE bit to 1 in DRAMCR. If access to DRAM space is interrupted and another space is accessed, the  $\overline{\text{RAS}}$  signal is held low during the access to the other space, and burst access is performed when the row address of the next DRAM space access is the same as the row address of the previous DRAM space access. Figure 6.32 shows an example of the timing in RAS down mode.

Note, however, that the  $\overline{\text{RAS}}$  signal will go high if:

- a refresh operation is initiated in the RAS down state
- self-refreshing is performed
- the chip enters software standby mode
- the external bus is released
- the RCDM bit or BE bit is cleared to 0

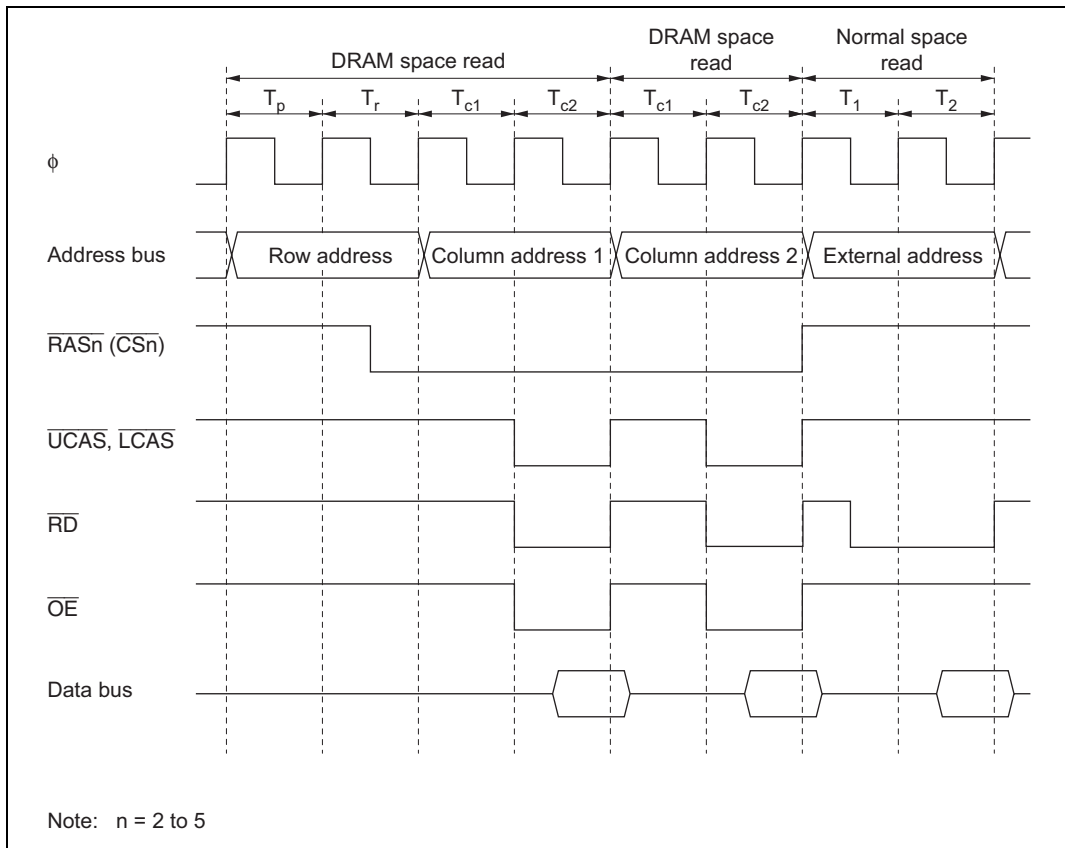
If a transition is made to the all-module-clocks-stopped mode in the  $\overline{\text{RAS}}$  down state, the clock will stop with  $\overline{\text{RAS}}$  low. To enter the all-module-clocks-stopped mode with  $\overline{\text{RAS}}$  high, the RCDM bit must be cleared to 0 before executing the SLEEP instruction.



**Figure 6.32 Example of Operation Timing in RAS Down Mode**  
( $\text{RAST} = 0$ ,  $\text{CAST} = 0$ )

- RAS Up Mode

To select RAS up mode, clear the RCDM bit to 0 in DRAMCR. Each time access to DRAM space is interrupted and another space is accessed, the  $\overline{\text{RAS}}$  signal goes high again. Burst operation is only performed if DRAM space is continuous. Figure 6.33 shows an example of the timing in RAS up mode.



**Figure 6.33 Example of Operation Timing in RAS Up Mode**  
(RAST = 0, CAST = 0)

### 6.6.12 Refresh Control

This LSI is provided with a DRAM refresh control function. CAS-before-RAS (CBR) refreshing is used. In addition, self-refreshing can be executed when the chip enters the software standby state.

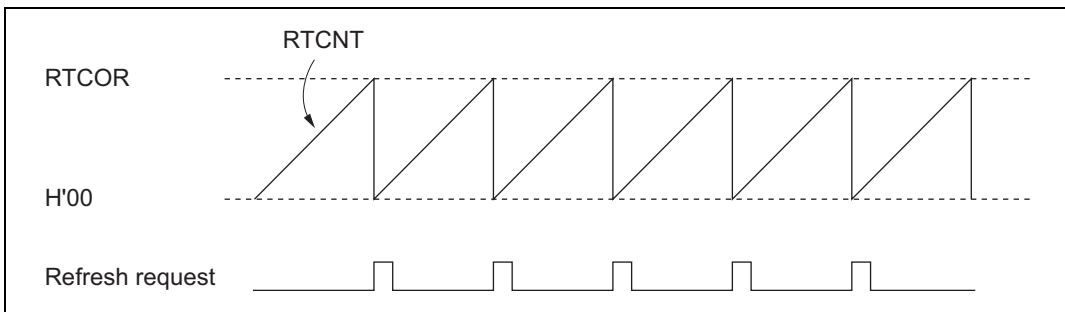
Refresh control is enabled when any area is designated as DRAM space in accordance with the setting of bits RMTS2 to RMTS0 in DRAMCR.

**CAS-before-RAS (CBR) Refreshing:** To select CBR refreshing, set the RFSHE bit to 1 in REFCR.

With CBR refreshing, RTCNT counts up using the input clock selected by bits RTCK2 to RTCK0 in REFCR, and when the count matches the value set in RTCOR (compare match), refresh control is performed. At the same time, RTCNT is reset and starts counting up again from H'00. Refreshing is thus repeated at fixed intervals determined by RTCOR and bits RTCK2 to RTCK0. Set a value in RTCOR and bits RTCK2 to RTCK0 that will meet the refreshing interval specification for the DRAM used.

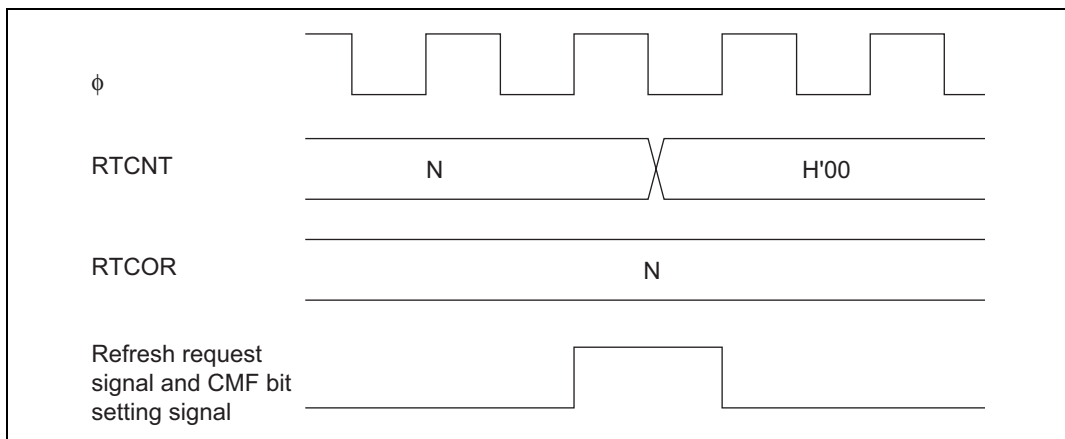
When bits RTCK2 to RTCK0 in REFCR are set, RTCNT starts counting up. RTCNT and RTCOR settings should therefore be completed before setting bits RTCK2 to RTCK0. RTCNT operation is shown in figure 6.34, compare match timing in figure 6.35, and CBR refresh timing in figure 6.36.

When the CBRM bit in REFCR is cleared to 0, access to external space other than DRAM space is performed in parallel during the CBR refresh period.

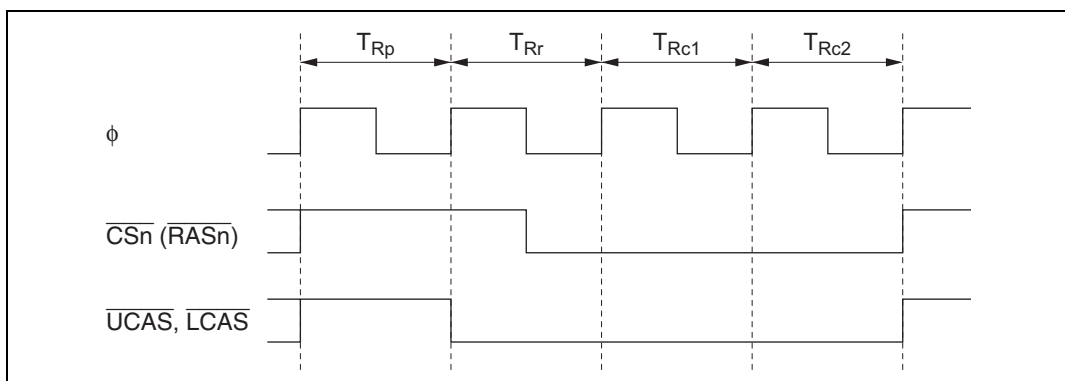


**Figure 6.34 RTCNT Operation**





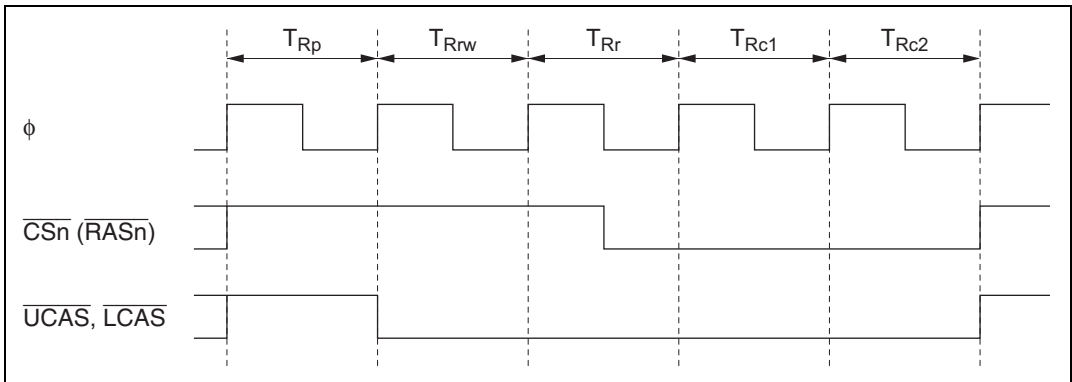
**Figure 6.35 Compare Match Timing**



**Figure 6.36 CBR Refresh Timing**

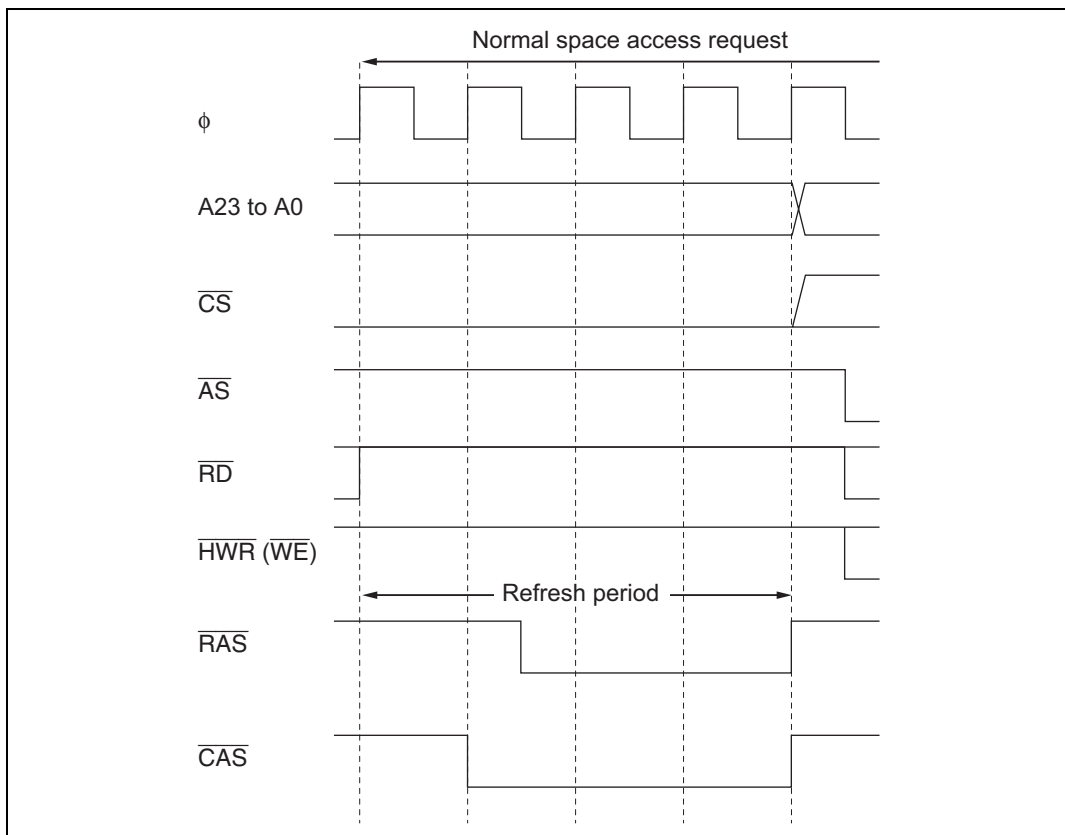
A setting can be made in bits RCW1 and RCW0 in REFCR to delay  $\overline{\text{RAS}}$  signal output by one to three cycles. Use bits RLW1 and RLW0 in REFCR to adjust the width of the  $\overline{\text{RAS}}$  signal. The settings of bits RCW1, RCW0, RLW1, and RLW0 are valid only in refresh operations.

Figure 6.37 shows the timing when bits RCW1 and RCW0 are set.



**Figure 6.37 CBR Refresh Timing**  
**(RCW1 = 0, RCW0 = 1, RLW1 = 0, RLW0 = 0)**

Depending on the DRAM used, modification of the  $\overline{WE}$  signal may not be permitted during the refresh period. In this case, the CBRM bit in REFCR should be set to 1. The bus controller will then insert refresh cycles in appropriate breaks between bus cycles. Figure 6.38 shows an example of the timing when the CBRM bit is set to 1. In this case the  $\overline{CS}$  signal is not controlled, and retains its value prior to the start of the refresh period.



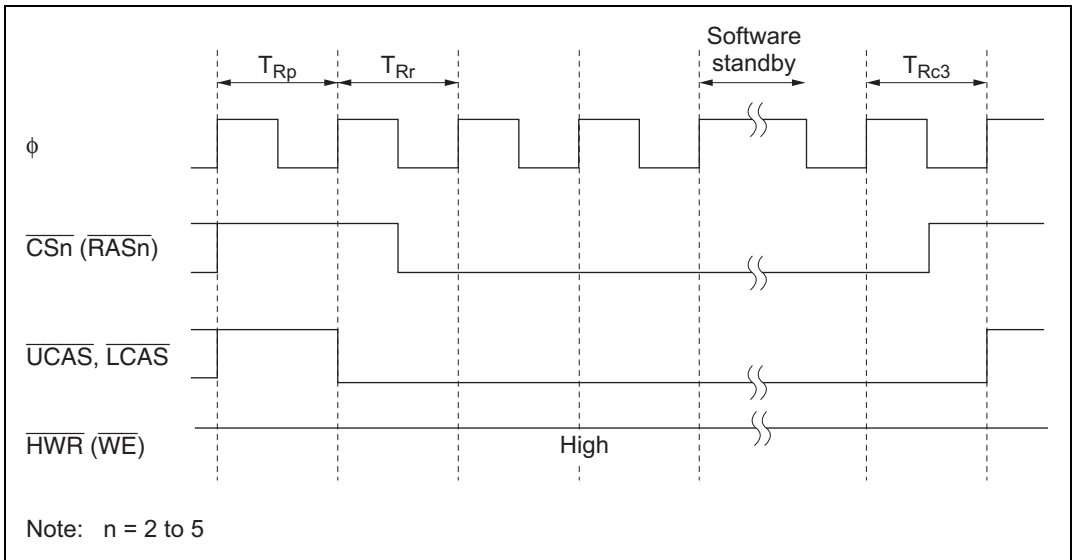
**Figure 6.38 Example of CBR Refresh Timing (CBRM = 1)**

**Self-Refreshing:** A self-refresh mode (battery backup mode) is provided for DRAM as a kind of standby mode. In this mode, refresh timing and refresh addresses are generated within the DRAM.

To select self-refreshing, set the RFSHE bit and SLFRF bit to 1 in REFCR. When a SLEEP instruction is executed to enter software standby mode, the  $\overline{\text{CAS}}$  and  $\overline{\text{RAS}}$  signals are output and DRAM enters self-refresh mode, as shown in figure 6.39.

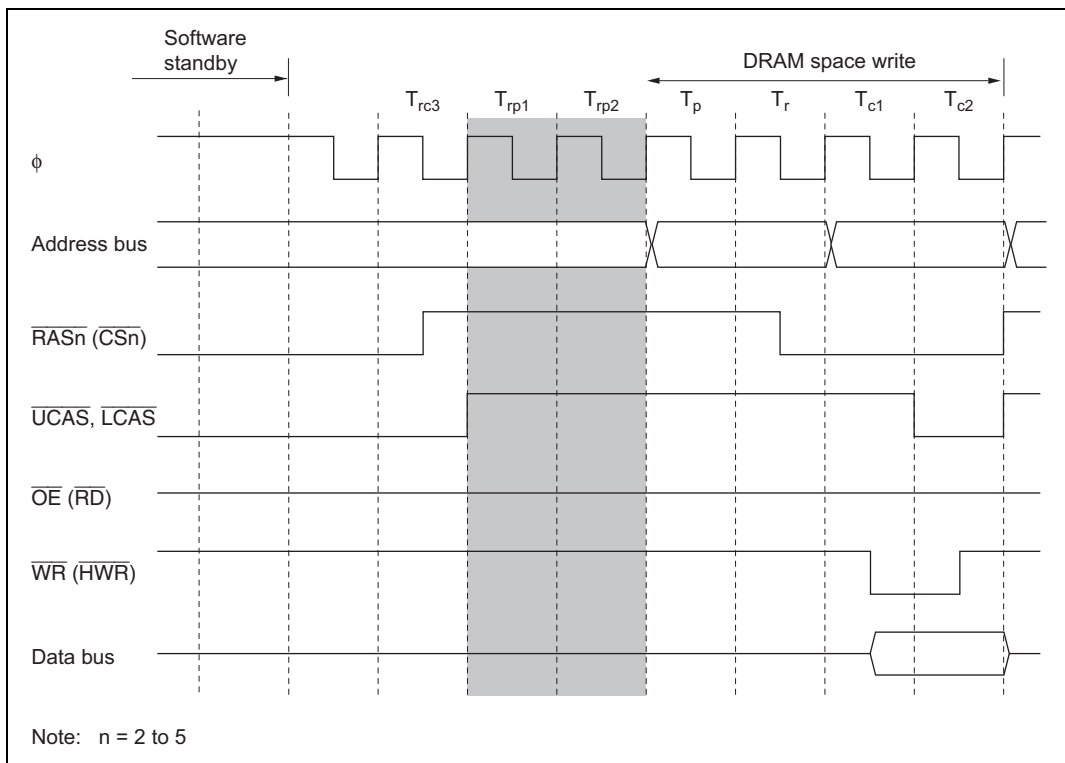
When software standby mode is exited, the SLFRF bit is cleared to 0 and self-refresh mode is exited automatically. If a CBR refresh request occurs when making a transition to software standby mode, CBR refreshing is executed, then self-refresh mode is entered.

When using self-refresh mode, the OPE bit must not be cleared to 0 in the SBYCR register.



**Figure 6.39 Self-Refresh Timing**

In some DRAMs provided with a self-refresh mode, the  $\overline{RAS}$  signal precharge time immediately after self-refreshing is longer than the normal precharge time. A setting can be made in bits TPCS2 to TPCS0 in REFCR to make the precharge time immediately after self-refreshing from 1 to 7 states longer than the normal precharge time. In this case, too, normal precharging is performed according to the setting of bits TPC1 and TPC0 in DRACCR, and therefore a setting should be made to give the optimum post-self-refresh precharge time, including this time. Figure 6.40 shows an example of the timing when the precharge time immediately after self-refreshing is extended by 2 states.



**Figure 6.40 Example of Timing when Precharge Time after Self-Refreshing Is Extended by 2 States**

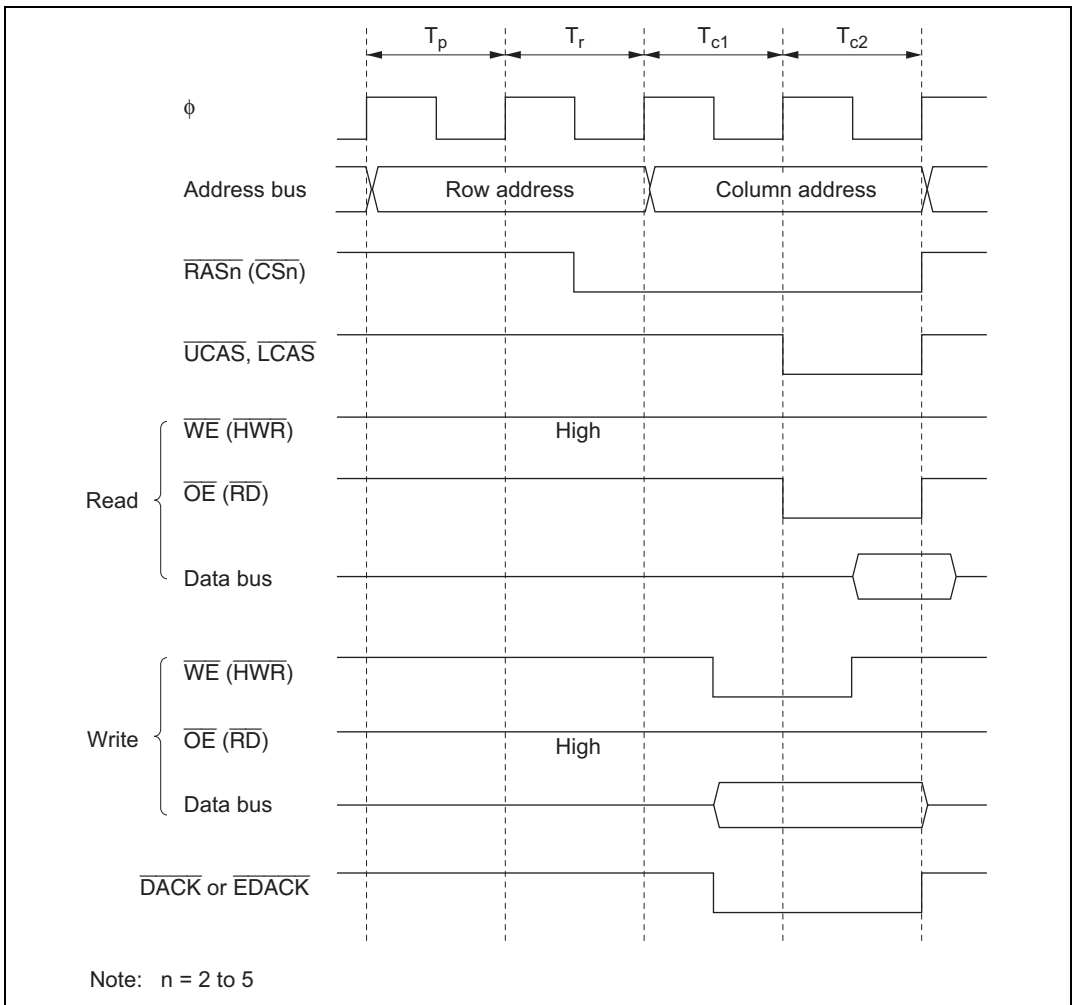
**Refreshing and All-Module-Clocks-Stopped Mode:** In this LSI, if the ACSE bit is set to 1 in MSTPCRH, and then a SLEEP instruction is executed with the setting for all peripheral module clocks to be stopped (MSTPCR = H'FFFF, EXMSTPCR = H'FFFF) or for operation of the 8-bit timer module alone (MSTPCR = H'FFFE, EXMSTPCR = H'FFFF), and a transition is made to the sleep state, the all-module-clocks-stopped mode is entered, in which the bus controller and I/O port clocks are also stopped. As the bus controller clock is also stopped in this mode, CBR refreshing is not executed. If DRAM is connected externally and DRAM data is to be retained in sleep mode, the ACSE bit must be cleared to 0 in MSTPCRH.

### 6.6.13 DMAC and EXDMAC Single Address Transfer Mode and DRAM Interface

When burst mode is selected on the DRAM interface, the  $\overline{\text{DACK}}$  and  $\overline{\text{EDACK}}$  output timing can be selected with the DDS and ED DS bits in DRAMCR. When DRAM space is accessed in DMAC or EXDMAC single address mode at the same time, these bits select whether or not burst access is to be performed.

**When DDS = 1 or EDDS = 1:** Burst access is performed by determining the address only, irrespective of the bus master. With the DRAM interface, the  $\overline{\text{DACK}}$  or  $\overline{\text{EDACK}}$  output goes low from the  $T_{c1}$  state.

Figure 6.41 shows the  $\overline{\text{DACK}}$  or  $\overline{\text{EDACK}}$  output timing for the DRAM interface when DDS = 1 or EDDS = 1.

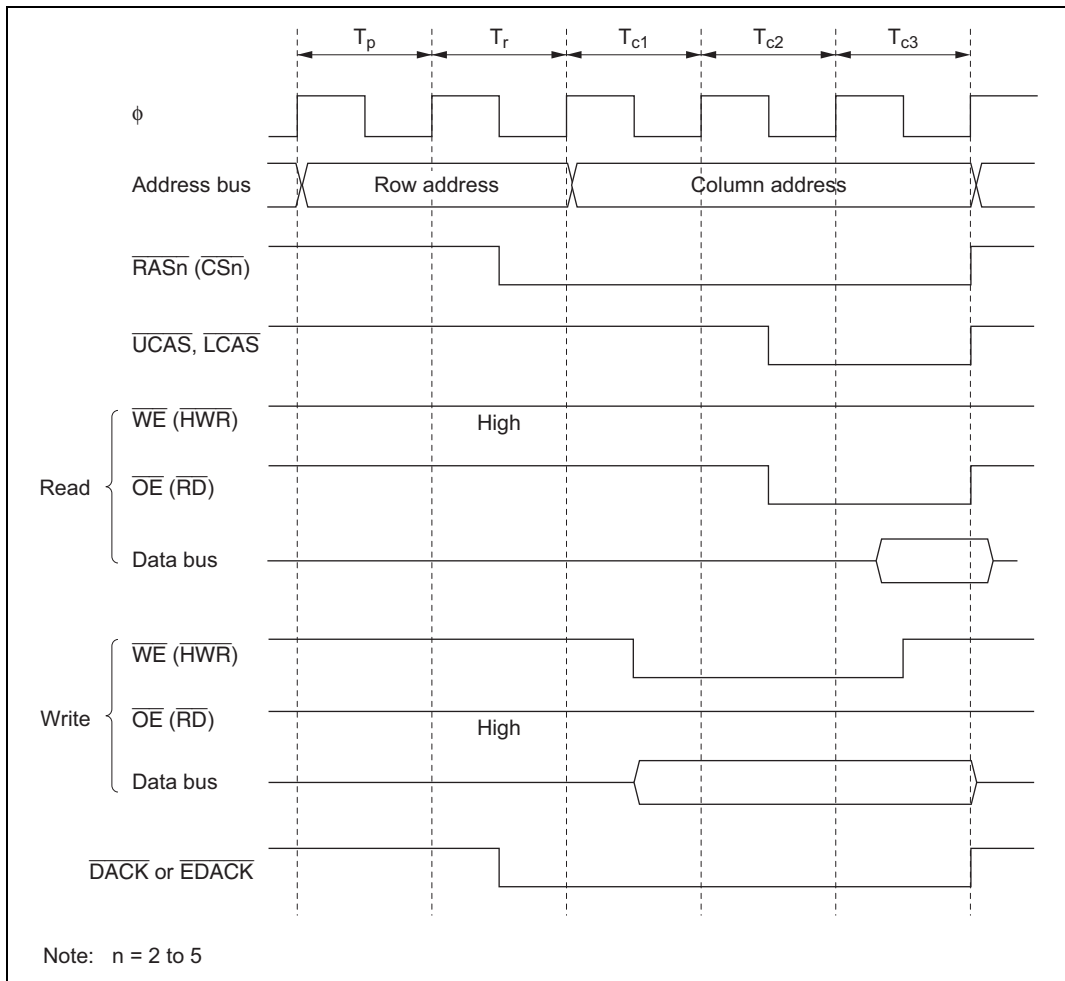


**Figure 6.41 Example of  $\overline{\text{DACK}}$ / $\overline{\text{EDACK}}$  Output Timing when DDS = 1 or EDDS = 1 (RAST = 0, CAST = 0)**

**When DDS = 0 or EDSS = 0:** When DRAM space is accessed in DMAC or EXDMAC single address transfer mode, full access (normal access) is always performed. With the DRAM interface, the  $\overline{\text{DACK}}$  or  $\overline{\text{EDACK}}$  output goes low from the  $T_r$  state.

In modes other than DMAC or EXDMAC single address transfer mode, burst access can be used when accessing DRAM space.

Figure 6.42 shows the  $\overline{\text{DACK}}$  or  $\overline{\text{EDACK}}$  output timing for the DRAM interface when  $\text{DDS} = 0$  or  $\text{EDSS} = 0$ .



**Figure 6.42** Example of  $\overline{\text{DACK}}/\overline{\text{EDACK}}$  Output Timing when  $\text{DDS} = 0$  or  $\text{EDSS} = 0$   
( $\text{RAST} = 0$ ,  $\text{CAST} = 1$ )

## 6.7 Synchronous DRAM Interface

In the H8S/2378R Group, external address space areas 2 to 5 can be designated as continuous synchronous DRAM space, and synchronous DRAM interfacing performed. The synchronous DRAM interface allows synchronous DRAM to be directly connected to this LSI. A synchronous DRAM space of up to 8 Mbytes can be set by means of bits RMTS2 to RMTS0 in DRAMCR. Synchronous DRAM of CAS latency 1 to 4 can be connected.

Note: The synchronous DRAM interface is not supported by the H8S/2378 Group.

### 6.7.1 Setting Continuous Synchronous DRAM Space

Areas 2 to 5 are designated as continuous synchronous DRAM space by setting bits RMTS2 to RMTS0 in DRAMCR. The relation between the settings of bits RMTS2 to RMTS0 and synchronous DRAM space is shown in table 6.7. Possible synchronous DRAM interface settings are and continuous area (areas 2 to 5).

**Table 6.7 Relation between Settings of Bits RMTS2 to RMTS0 and Synchronous DRAM Space**

| RMTS2 | RMTS1 | RMTS0      | Area 5                            | Area 4       | Area 3       | Area 2     |
|-------|-------|------------|-----------------------------------|--------------|--------------|------------|
| 0     | 0     | 1          | Normal space                      | Normal space | Normal space | DRAM space |
|       |       | 0          | Normal space                      | Normal space | DRAM space   | DRAM space |
|       | 1     | DRAM space | DRAM space                        | DRAM space   | DRAM space   |            |
| 1     | 0     | 0          | Continuous synchronous DRAM space |              |              |            |
|       |       | 1          | Mode settings of synchronous DRAM |              |              |            |
|       | 1     | 0          | Reserved (setting prohibited)     |              |              |            |
|       |       | 1          | Continuous DRAM space             |              |              |            |

With continuous synchronous DRAM space,  $\overline{CS2}$ ,  $\overline{CS3}$ ,  $\overline{CS4}$  pins are used as  $\overline{RAS}$ ,  $\overline{CAS}$ ,  $\overline{WE}$  signal. The  $\overline{(OE)}$  pin of the synchronous DRAM is used as the CKE signal, and the  $\overline{CS5}$  pin is used as synchronous DRAM clock (SDRAM $\phi$ ). The bus specifications for continuous synchronous DRAM space conform to the settings for area 2. The pin wait and program wait for the continuous synchronous DRAM are invalid.

Commands for the synchronous DRAM can be specified by combining  $\overline{RAS}$ ,  $\overline{CAS}$ ,  $\overline{WE}$ , and address-precharge-setting command (Precharge-sel) output on the upper column addresses.



Commands that are supported by this LSI are NOP, auto-refresh (REF), self-refresh (SELF), all bank precharge (PALL), row address strobe bank-active (ACTV), read (READ), write (WRIT), and mode-register write (MRS). Commands for bank control cannot be used.

## 6.7.2 Address Multiplexing

With continuous synchronous DRAM space, the row address and column address are multiplexed. In address multiplexing, the size of the shift of the row address is selected with bits MXC2 to MXC0 in DRAMCR. The address-precharge-setting command (Precharge-sel) can be output on the upper column address. Table 6.8 shows the relation between the settings of MXC2 to MXC0 and the shift size. The MXC2 bit should be set to 1 when the synchronous DRAM interface is used.

**Table 6.8 Relation between Settings of Bits MXC2 to MXC0 and Address Multiplexing**

|                | DRAMCR |         |            | Shift Size                    | Address Pins |     |     |     |     |     |     |     |     |     |     |     |     |     |     |     |     |    |
|----------------|--------|---------|------------|-------------------------------|--------------|-----|-----|-----|-----|-----|-----|-----|-----|-----|-----|-----|-----|-----|-----|-----|-----|----|
|                | MXC2   | MXC1    | MXC0       |                               | A23 to A16   | A15 | A14 | A13 | A12 | A11 | A10 | A9  | A8  | A7  | A6  | A5  | A4  | A3  | A2  | A1  | A0  |    |
| Row address    | 0      | ×       | ×          | Reserved (setting prohibited) |              |     |     |     |     |     |     |     |     |     |     |     |     |     |     |     |     |    |
|                | 1      | 0       | 0          | 8 bits                        | A23 to A16   | A23 | A22 | A21 | A20 | A19 | A18 | A17 | A16 | A15 | A14 | A13 | A12 | A11 | A10 | A9  | A8  |    |
|                |        |         | 1          | 9 bits                        | A23 to A16   | A15 | A23 | A22 | A21 | A20 | A19 | A18 | A17 | A16 | A15 | A14 | A13 | A12 | A11 | A10 | A9  |    |
|                |        | 1       | 0          | 10 bits                       | A23 to A16   | A15 | A14 | A23 | A22 | A21 | A20 | A19 | A18 | A17 | A16 | A15 | A14 | A13 | A12 | A11 | A10 |    |
| 1              | 1      | 11 bits | A23 to A16 | A15                           | A14          | A13 | A23 | A22 | A21 | A20 | A19 | A18 | A17 | A16 | A15 | A14 | A13 | A12 | A11 |     |     |    |
| Column address | 0      | ×       | ×          | Reserved (setting prohibited) |              |     |     |     |     |     |     |     |     |     |     |     |     |     |     |     |     |    |
|                | 1      | 0       | 0          | —                             | A23 to A16   | P   | P   | P   | P   | P   | P   | P   | P   | A8  | A7  | A6  | A5  | A4  | A3  | A2  | A1  | A0 |
|                |        |         | 1          | —                             | A23 to A16   | P   | P   | P   | P   | P   | P   | A9  | A8  | A7  | A6  | A5  | A4  | A3  | A2  | A1  | A0  |    |
|                |        | 1       | 0          | —                             | A23 to A16   | P   | P   | P   | P   | P   | A10 | A9  | A8  | A7  | A6  | A5  | A4  | A3  | A2  | A1  | A0  |    |
| 1              | 1      | —       | A23 to A16 | P                             | P            | P   | P   | A11 | A10 | A9  | A8  | A7  | A6  | A5  | A4  | A3  | A2  | A1  | A0  |     |     |    |

Legend:

×: Don't care.

P: Precharge-sel

### 6.7.3 Data Bus

If the ABW2 bit in ABWCR corresponding to an area designated as continuous synchronous DRAM space is set to 1, area 2 to 5 are designated as 8-bit continuous synchronous DRAM space; if the bit is cleared to 0, the areas are designated as 16-bit continuous synchronous DRAM space. In 16-bit continuous synchronous DRAM space,  $\times 16$ -bit configuration synchronous DRAM can be connected directly.

In 8-bit continuous synchronous DRAM space the upper half of the data bus, D15 to D8, is enabled, while in 16-bit continuous synchronous DRAM space both the upper and lower halves of the data bus, D15 to D0, are enabled.

Access sizes and data alignment are the same as for the basic bus interface: see section 6.5.1, Data Size and Data Alignment.

### 6.7.4 Pins Used for Synchronous DRAM Interface

Table 6.9 shows pins used for the synchronous DRAM interface and their functions. To enable the synchronous DRAM interface, fix the DCTL pin to 1. Do not vary the DCTL pin during operation.

Since the  $\overline{CS2}$  to  $\overline{CS4}$  pins are in the input state after a reset, set DDR to 1 when  $\overline{RAS}$ ,  $\overline{CAS}$ , and  $\overline{WE}$  signals are output. For details, see section 10, I/O Ports. Set the OEE bit of the DRAMCR register to 1 when the CKE signal is output.

**Table 6.9 Synchronous DRAM Interface Pins**

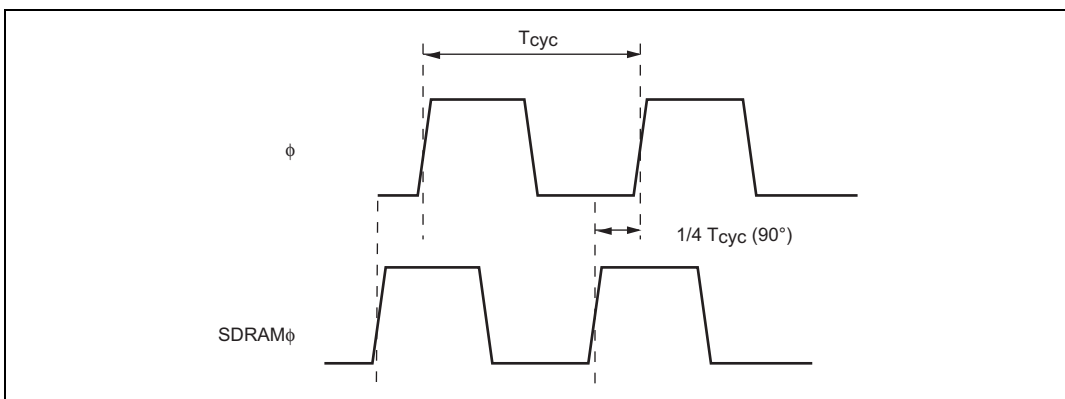
| Pin                        | With Synchronous DRAM Setting | Name                   | I/O    | Function   |
|----------------------------|-------------------------------|------------------------|--------|--|
| $\overline{\text{CS2}}$    | $\overline{\text{RAS}}$       | Row address strobe     | Output | Row address strobe when areas 2 to 5 are designated as continuous synchronous DRAM space   |
| $\overline{\text{CS3}}$    | $\overline{\text{CAS}}$       | Column address strobe  | Output | Column address strobe when areas 2 to 5 are designated as continuous synchronous DRAM space  |
| $\overline{\text{CS4}}$    | $\overline{\text{WE}}$        | Write enable           | Output | Write enable strobe when areas 2 to 5 are designated as continuous synchronous DRAM space  |
| $\overline{\text{CS5}}$    | SDRAM $\phi$                  | Clock                  | Output | Clock only for synchronous DRAM  |
| ( $\overline{\text{OE}}$ ) | (CKE)                         | Clock enable           | Output | Clock enable signal when areas 2 to 5 are designated as continuous synchronous DRAM space  |
| $\overline{\text{UCAS}}$   | DQMU                          | Upper data mask enable | Output | Upper data mask enable for 16-bit continuous synchronous DRAM space access/data mask enable for 8-bit continuous synchronous DRAM space access |
| $\overline{\text{LCAS}}$   | DQML                          | Lower data mask enable | Output | Lower data mask enable signal for 16-bit continuous synchronous DRAM space access  |
| A15 to A0                  | A15 to A0                     | Address pins           | Output | Row address/column address multiplexed output pins   |
| D15 to D0                  | D15 to D0                     | Data pins              | I/O    | Data input/output pins   |
| DCTL                       | DCTL                          | Device control pin     | Input  | Output enable pin for SDRAM $\phi$   |

### 6.7.5 Synchronous DRAM Clock

When the DCTL pin is fixed to 1, synchronous clock (SDRAM $\phi$ ) is output from the  $\overline{\text{CS5}}$  pin. When the frequency multiplication factor of the PLL circuit of this LSI is set to  $\times 1$  or  $\times 2$ , SDRAM $\phi$  is  $90^\circ$  phase shift from  $\phi$ . Therefore, a stable margin is ensured for the synchronous DRAM that operates at the rising edge of clocks. Figure 6.43 shows the relationship between  $\phi$  and SDRAM $\phi$ . When the frequency multiplication factor of the PLL circuit is  $\times 4$ , the phase of SDRAM $\phi$  and that of  $\phi$  are the same.

When the CLK pin of the synchronous DRAM is directly connected to SDRAM $\phi$  of this LSI, it is recommended to set the frequency multiplication factor of the PLL circuit to  $\times 1$  or  $\times 2$ .

Note: SDRAM $\phi$  output timing is shown when the frequency multiplication factor of the PLL circuit is  $\times 1$  or  $\times 2$ .



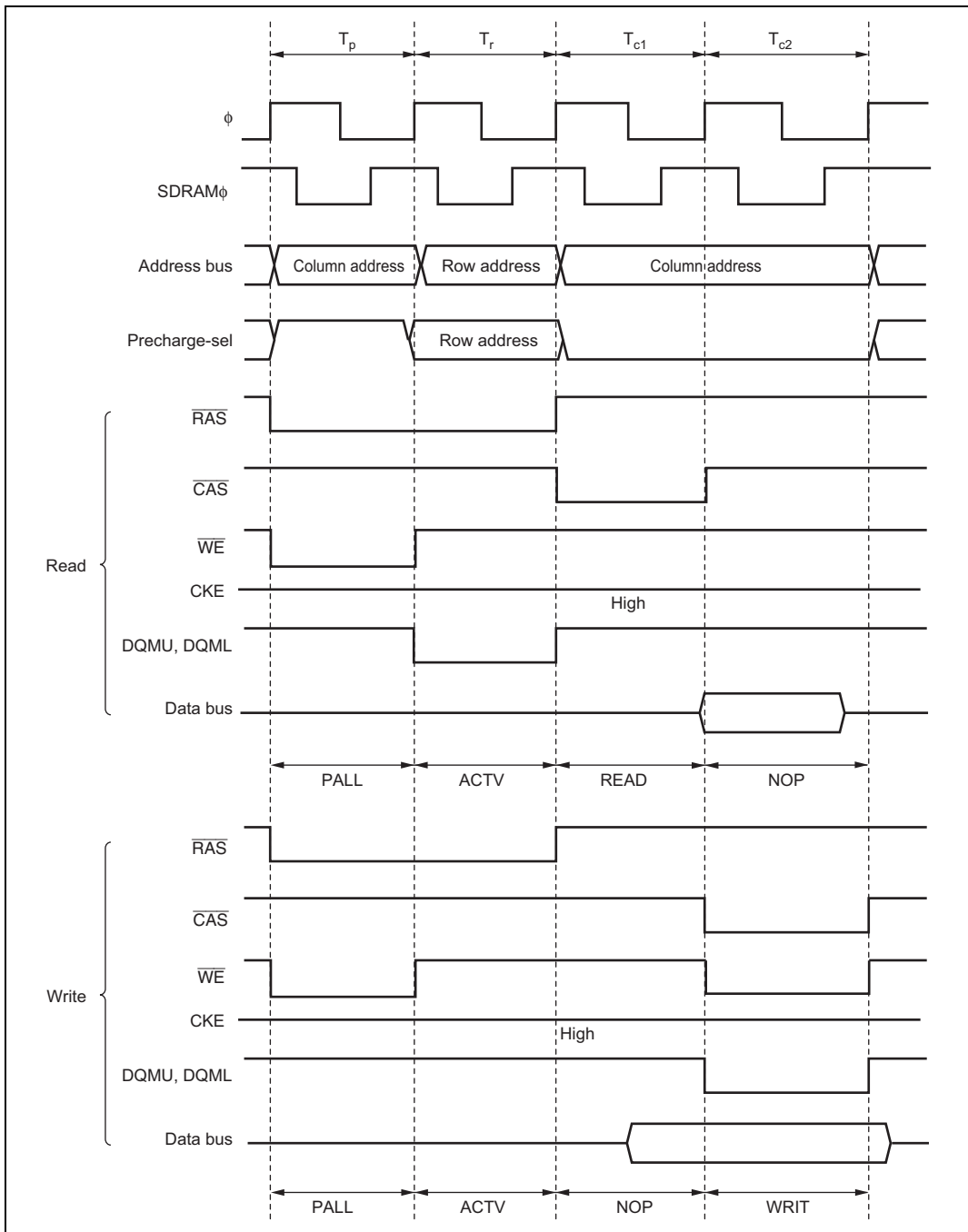
**Figure 6.43 Relationship between  $\phi$  and SDRAM $\phi$  (when PLL Frequency Multiplication Factor Is  $\times 1$  or  $\times 2$ )**

### 6.7.6 Basic Timing

The four states of the basic timing consist of one  $T_p$  (precharge cycle) state, one  $T_r$  (row address output cycle) state, and the  $T_{c1}$  and two  $T_{c2}$  (column address output cycle) states.

When areas 2 to 5 are set for the continuous synchronous DRAM space, settings of the WAITE bit of BCR, RAST, CAST, RCDM bits of DRAMCR, and the CBRM bit of REFCR are ignored.

Figure 6.44 shows the basic timing for synchronous DRAM.



**Figure 6.44 Basic Access Timing of Synchronous DRAM (CAS Latency 1)**

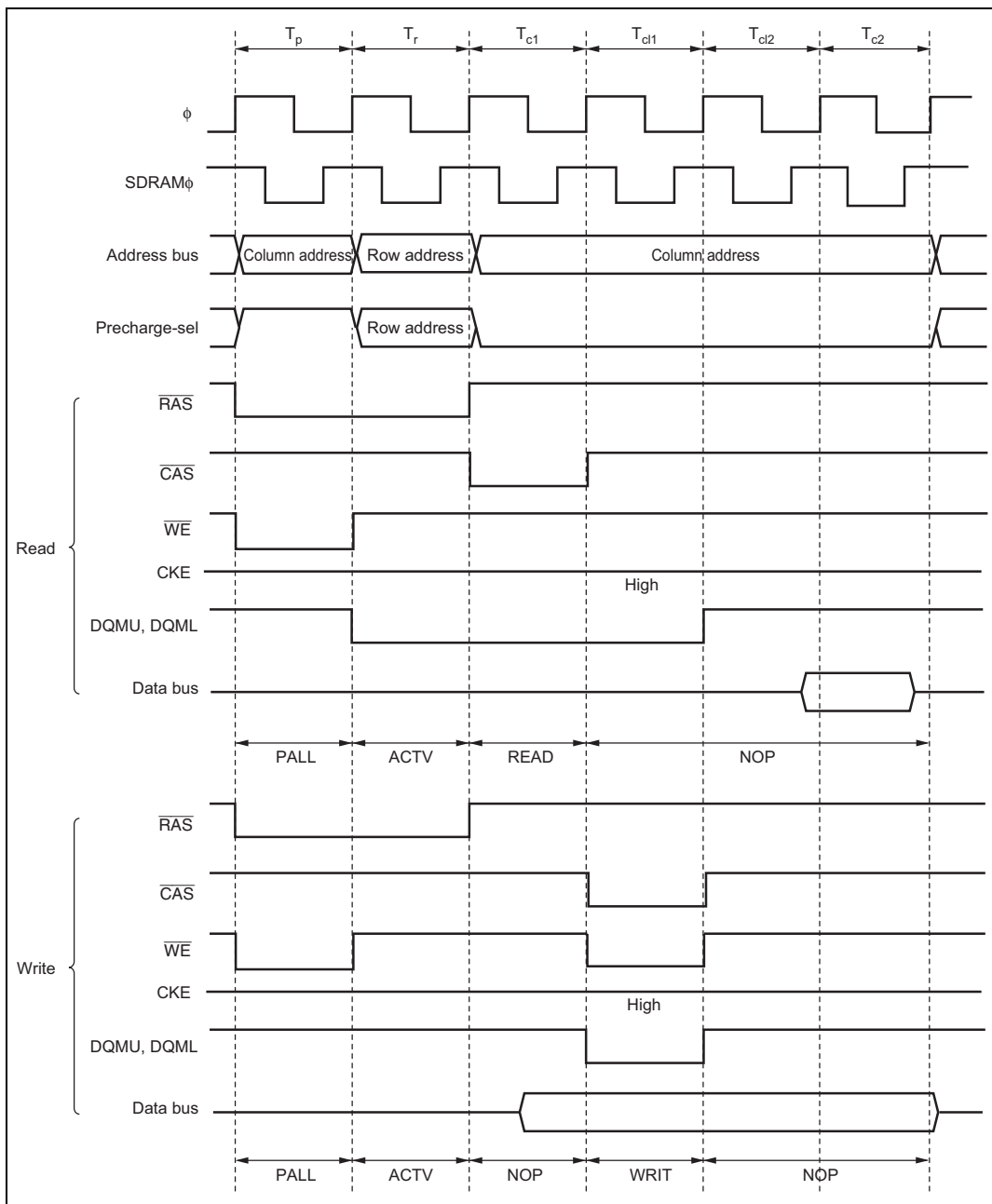
### 6.7.7 CAS Latency Control

CAS latency is controlled by settings of the W22 to W20 bits of WTCRB. Set the CAS latency count, as shown in table 6.10, by the setting of synchronous DRAM. Depending on the setting, the CAS latency control cycle ( $T_{cl}$ ) is inserted. WTCRB can be set regardless of the setting of the AST2 bit of ASTCR. Figure 6.45 shows the CAS latency control timing when synchronous DRAM of CAS latency 3 is connected.

The initial value of W22 to W20 is H'7. Set the register according to the CAS latency of synchronous DRAM to be connected.

**Table 6.10 Setting CAS Latency**

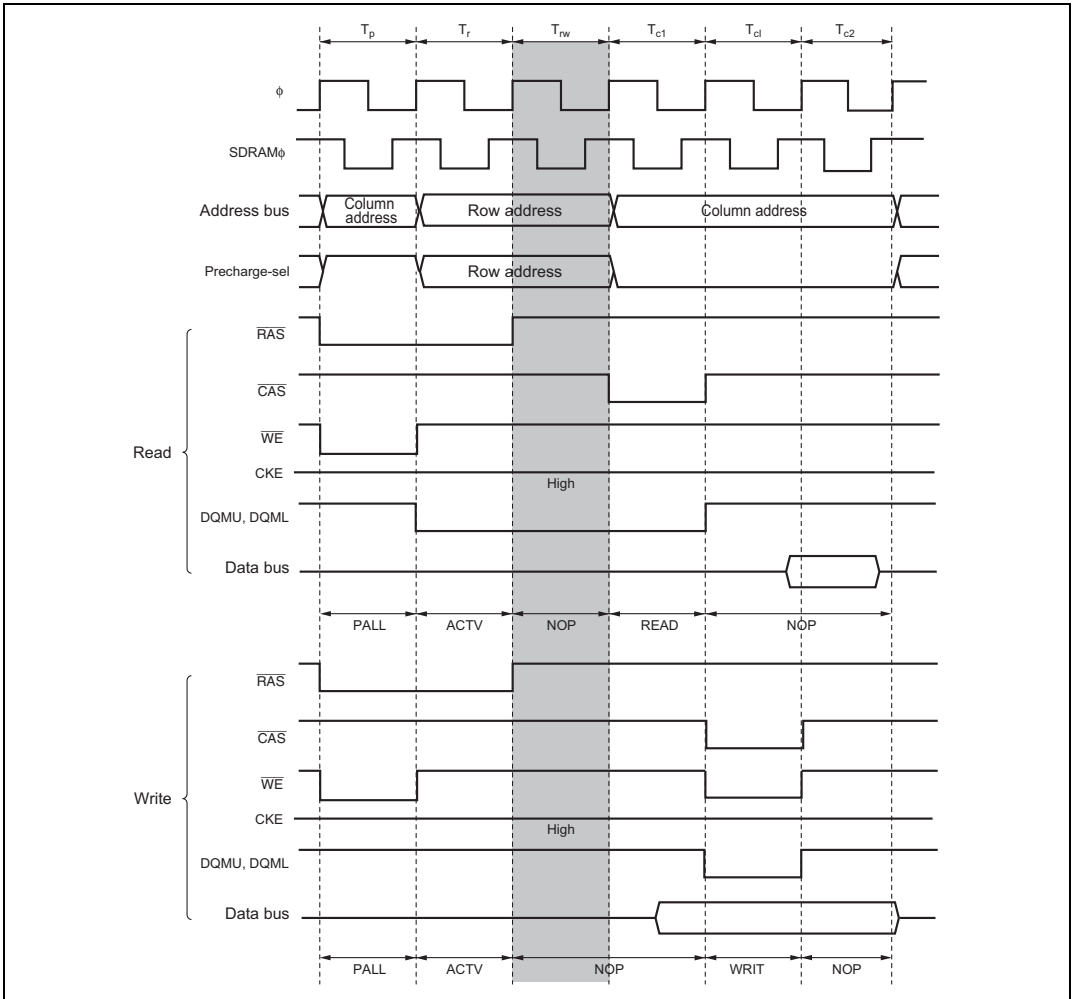
| W22 | W21 | W20 | Description                               | CAS Latency Control Cycle Inserted |
|-----|-----|-----|---|------------------------------------|
| 0   | 0   | 0   | Connect synchronous DRAM of CAS latency 1 | 0 state                            |
|     |     | 1   | Connect synchronous DRAM of CAS latency 2 | 1 state                            |
|     | 1   | 0   | Connect synchronous DRAM of CAS latency 3 | 2 states                           |
|     |     | 1   | Connect synchronous DRAM of CAS latency 4 | 3 states                           |
| 1   | 0   | 0   | Reserved (must not used)                  | —                                  |
|     |     | 1   | Reserved (must not used)                  | —                                  |
|     | 1   | 0   | Reserved (must not used)                  | —                                  |
|     |     | 1   | Reserved (must not used)                  | —                                  |



**Figure 6.45 CAS Latency Control Timing (SDWCD = 0, CAS Latency 3)**

### 6.7.8 Row Address Output State Control

When the command interval specification from the ACTV command to the next READ/WRITE command cannot be satisfied, 1 to 3 states ( $T_{rw}$ ) that output the NOP command can be inserted between the  $T_r$  cycle that outputs the ACTV command and the  $T_{c1}$  cycle that outputs the column address by setting the RCD1 and RCD0 bits of DRACCR. Use the optimum setting for the wait time according to the synchronous DRAM connected and the operating frequency of this LSI. Figure 6.46 shows an example of the timing when the one  $T_{rw}$  state is set.



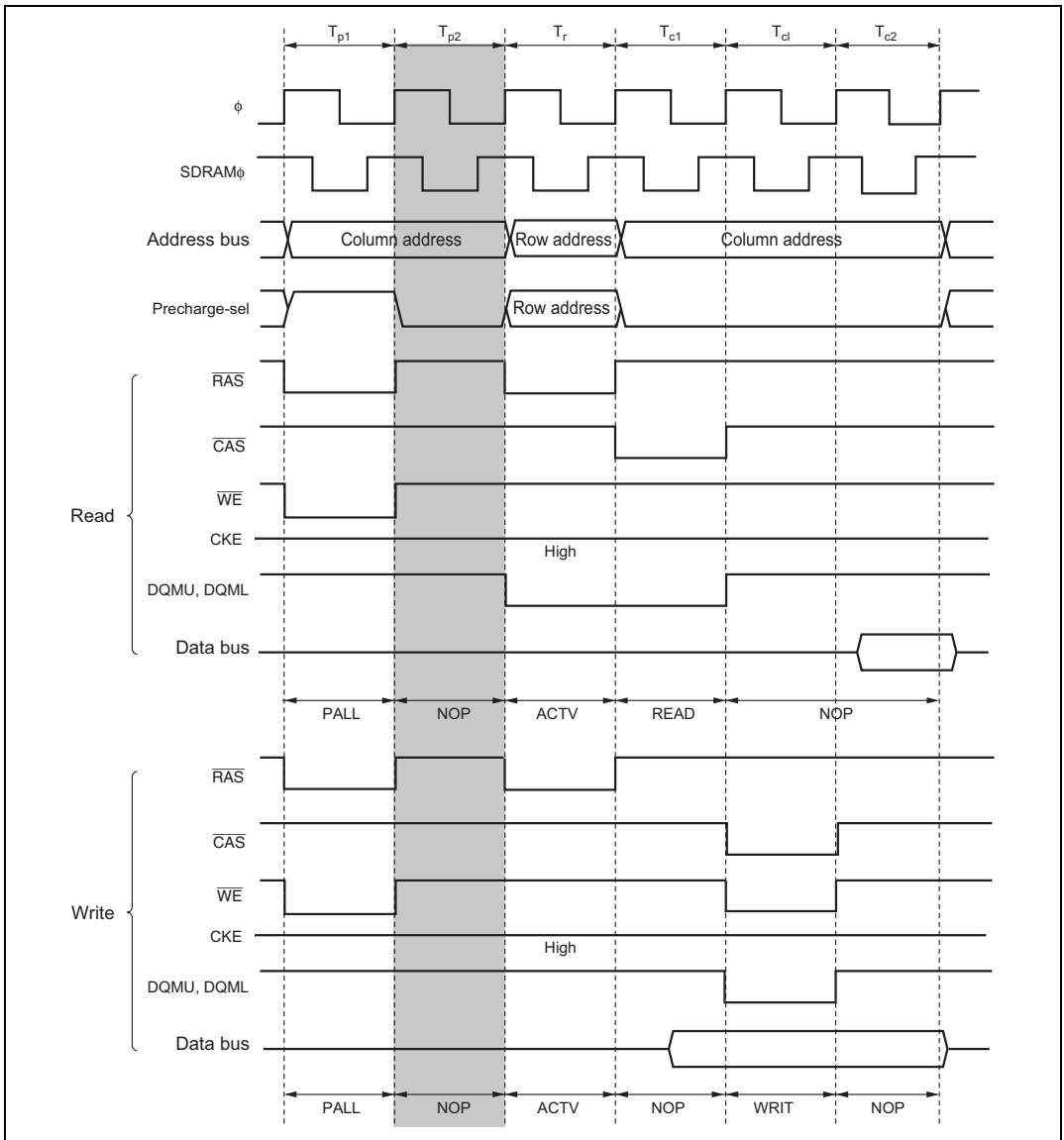
**Figure 6.46 Example of Access Timing when Row Address Output Hold State Is 1 State (RCD1 = 0, RCD0 = 1, SDWCD = 0, CAS Latency 2)**



### 6.7.9 Precharge State Count

When the interval specification from the PALL command to the next ACTV/REF command cannot be satisfied, from one to four  $T_p$  states can be selected by setting bits TPC1 and TPC0 in DRACCR. Set the optimum number of  $T_p$  cycles according to the synchronous DRAM connected and the operating frequency of this LSI. Figure 6.47 shows the timing when two  $T_p$  states are inserted.

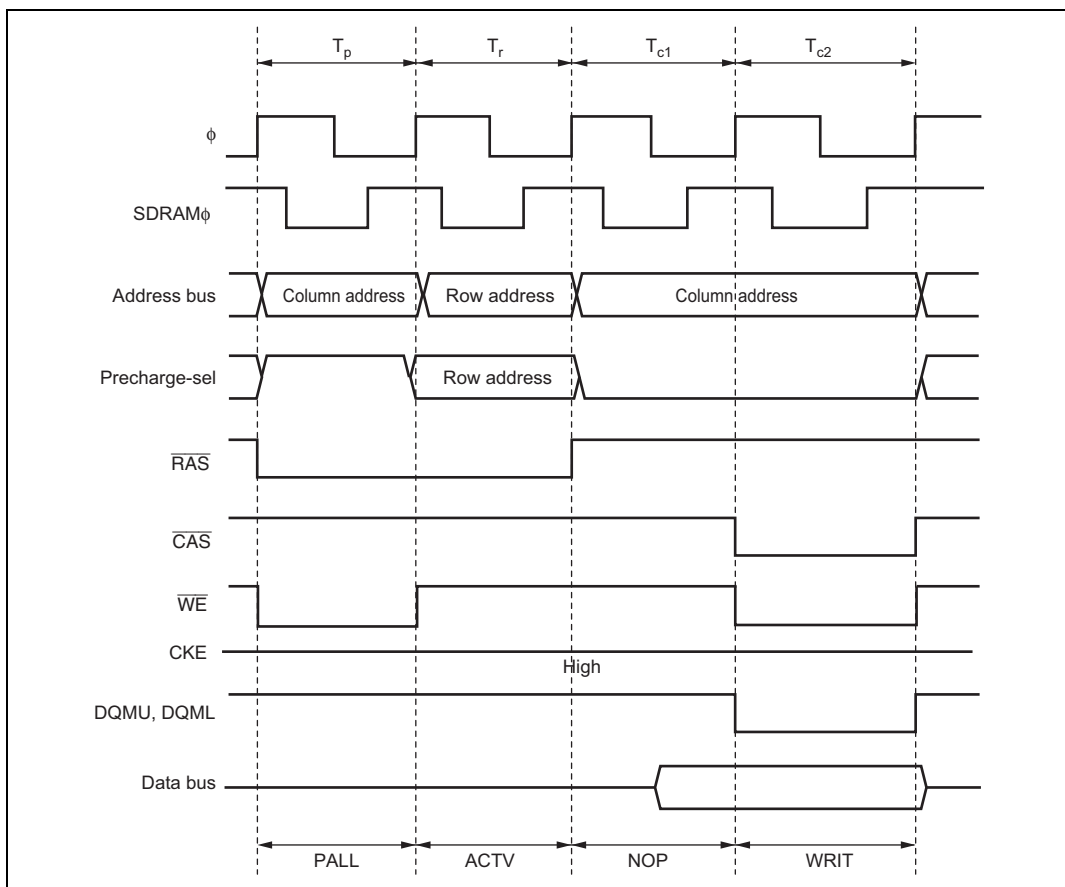
The setting of bits TPC1 and TPC0 is also valid for  $T_p$  states in refresh cycles.



**Figure 6.47 Example of Timing with Two-State Precharge Cycle (TPC1 = 0, TPC0 = 1, SDWCD = 0, CAS Latency 2)**

### 6.7.10 Bus Cycle Control in Write Cycle

By setting the SDWCD bit of the DRACCR to 1, the CAS latency control cycle ( $T_{c1}$ ) that is inserted by the WTCRB register in the write access of the synchronous DRAM can be disabled. Disabling the CAS latency control cycle can reduce the write-access cycle count as compared to synchronous DRAM read access. Figure 6.48 shows the write access timing when the CAS latency control cycle is disabled.

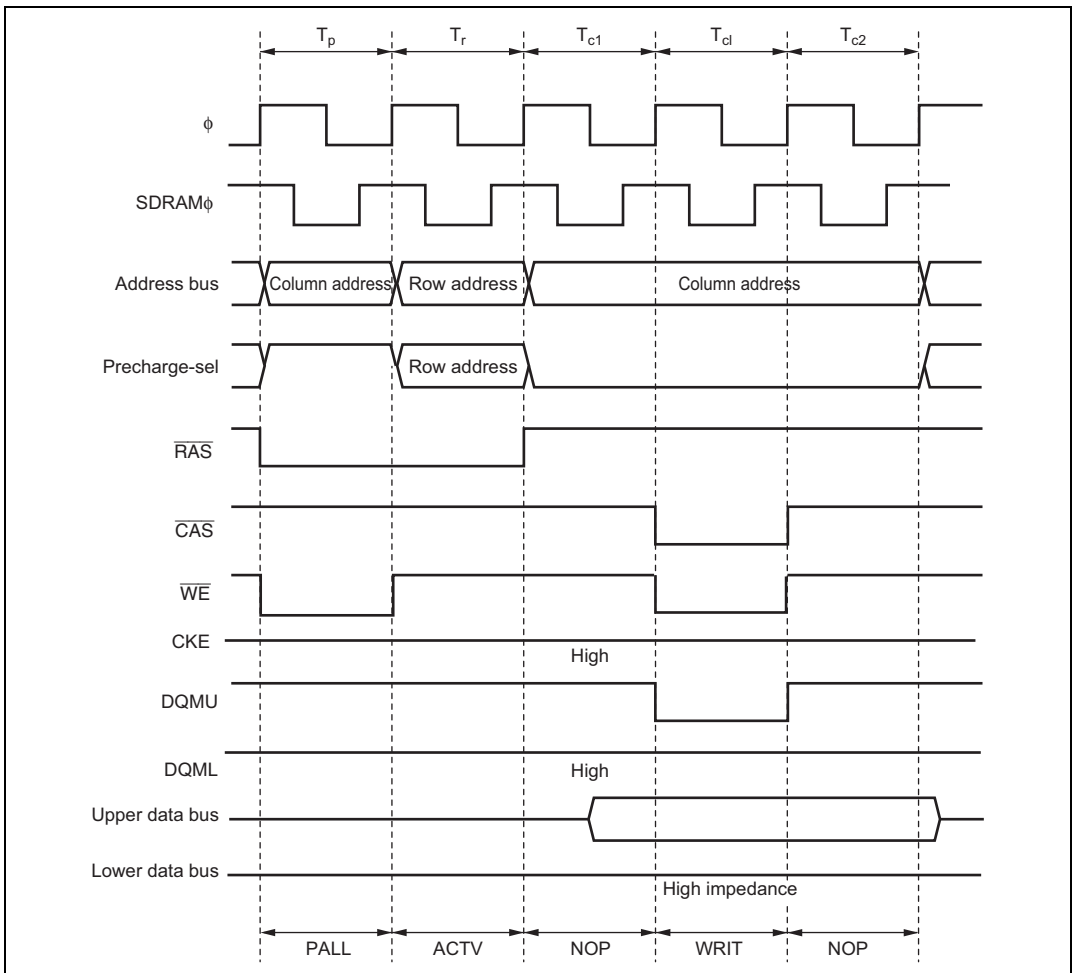


**Figure 6.48 Example of Write Access Timing when CAS Latency Control Cycle Is Disabled (SDWCD = 1)**

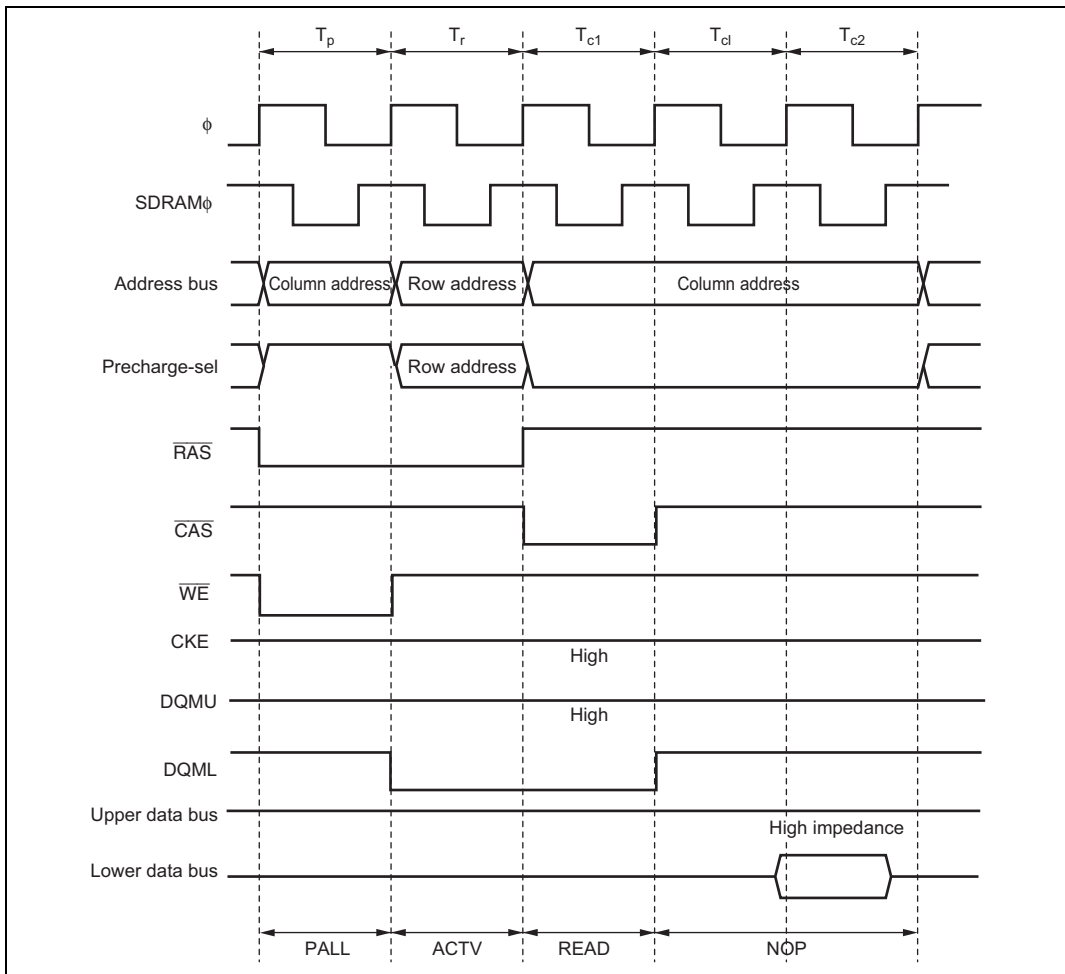
### 6.7.11 Byte Access Control

When synchronous DRAM with a  $\times 16$ -bit configuration is connected, DQMU and DQML are used for the control signals needed for byte access.

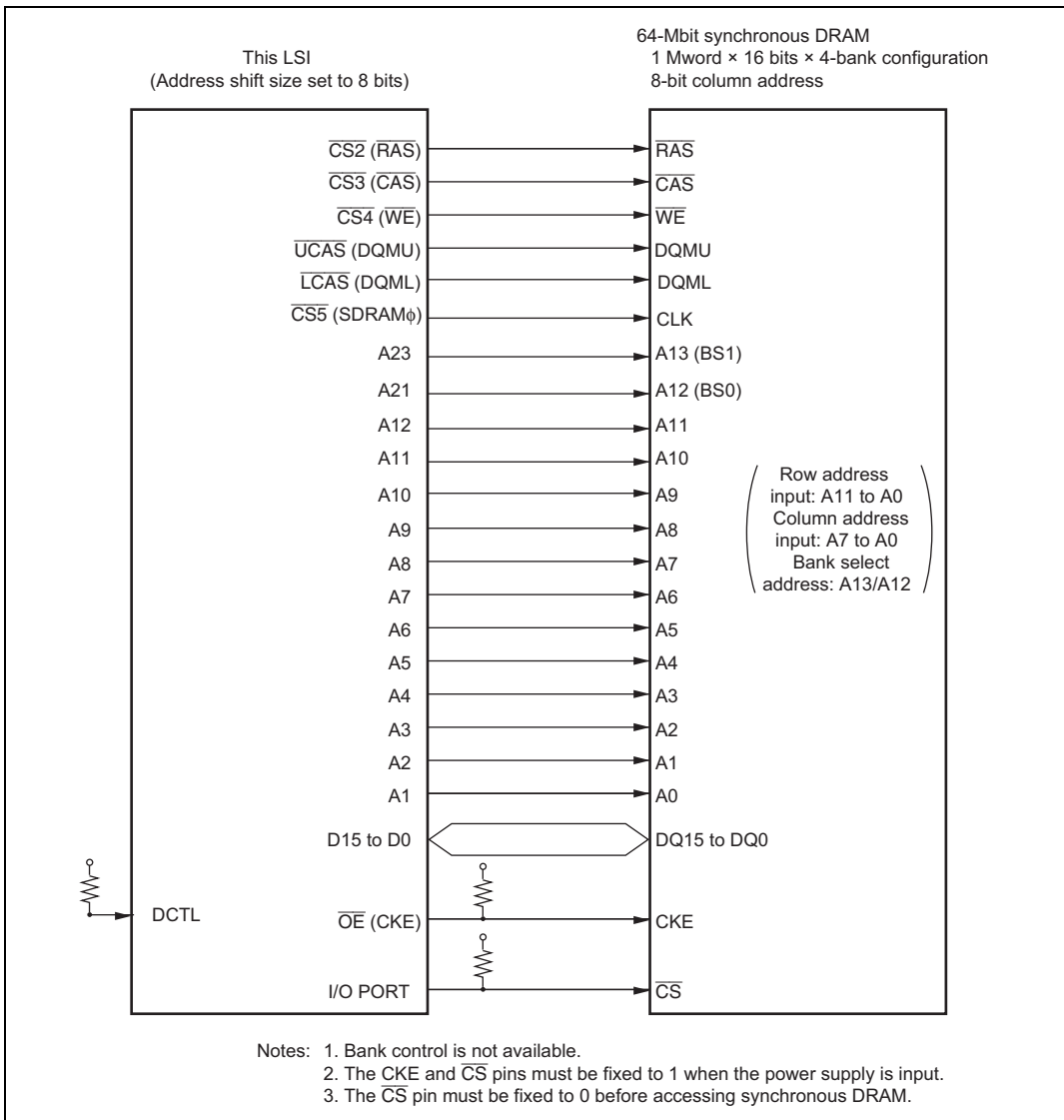
Figures 6.49 and 6.50 show the control timing for DQM, and figure 6.51 shows an example of connection of byte control by DQMU and DQML.



**Figure 6.49 DQMU and DQML Control Timing**  
(Upper Byte Write Access: SDWCD = 0, CAS Latency 2)



**Figure 6.50 DQMU and DQML Control Timing  
(Lower Byte Read Access: CAS Latency 2)**



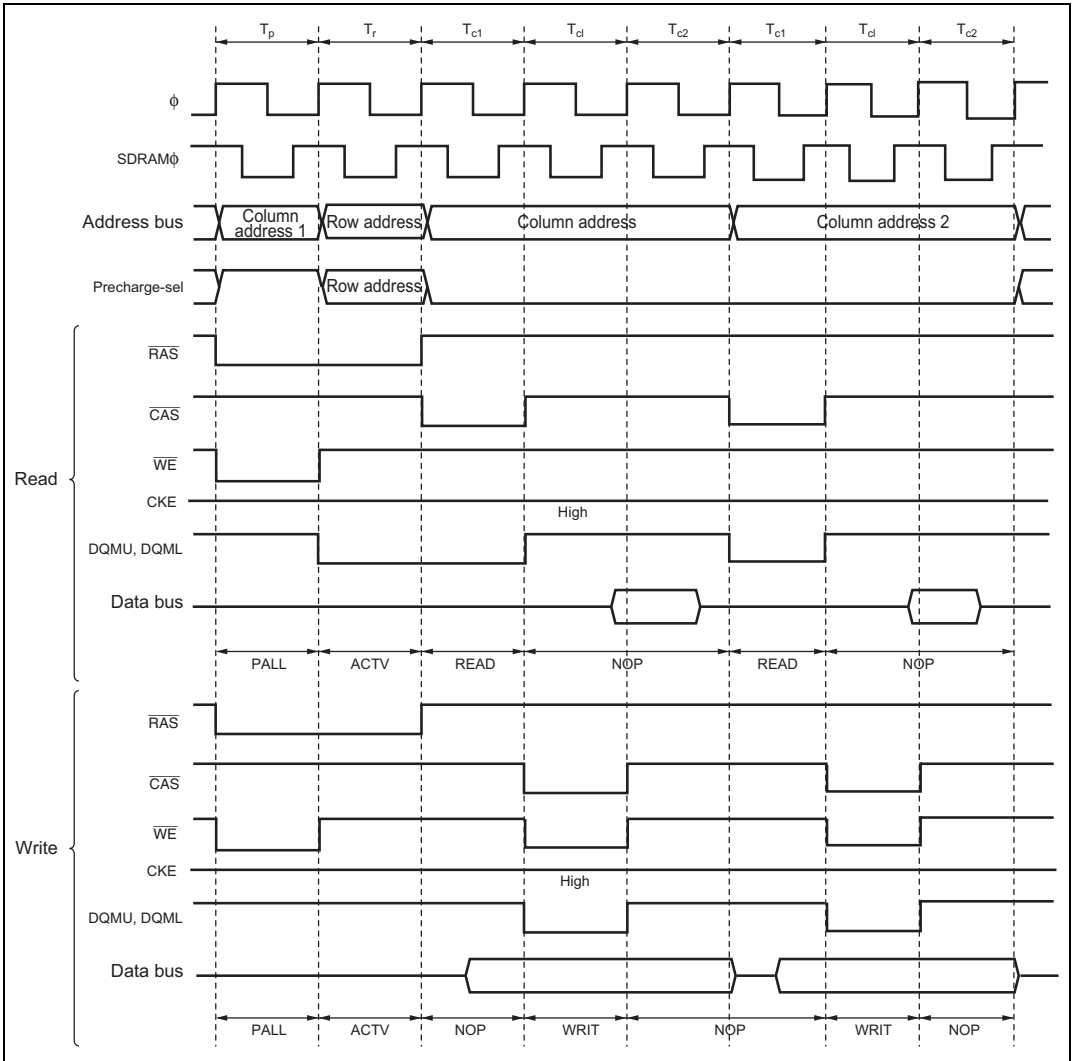
**Figure 6.51 Example of DQMU and DQML Byte Control**

### 6.7.12 Burst Operation

With synchronous DRAM, in addition to full access (normal access) in which data is accessed by outputting a row address for each access, burst access is also provided which can be used when making consecutive accesses to the same row address. This access enables fast access of data by simply changing the column address after the row address has been output. Burst access can be selected by setting the BE bit to 1 in DRAMCR.

DQM has the 2-cycle latency when synchronous DRAM is read. Therefore, the DQM signal cannot be specified to the Tc2 cycle data output if Tc1 cycle is performed for second or following column address when the CAS latency is set to 1 to issue the READ command. Do not set the BE bit to 1 when synchronous DRAM of CAS latency 1 is connected.

**Burst Access Operation Timing:** Figure 6.52 shows the operation timing for burst access. When there are consecutive access cycles for continuous synchronous DRAM space, the column address output cycles continue as long as the row address is the same for consecutive access cycles. The row address used for the comparison is set with bits MXC2 to MXC0 in DRAMCR.



**Figure 6.52 Operation Timing of Burst Access  
(BE = 1, SDWCD = 0, CAS Latency 2)**



**RAS Down Mode:** Even when burst operation is selected, it may happen that access to continuous synchronous DRAM space is not continuous, but is interrupted by access to another space. In this case, if the row address active state is held during the access to the other space, the read or write command can be issued without ACTV command generation similarly to DRAM RAS down mode.

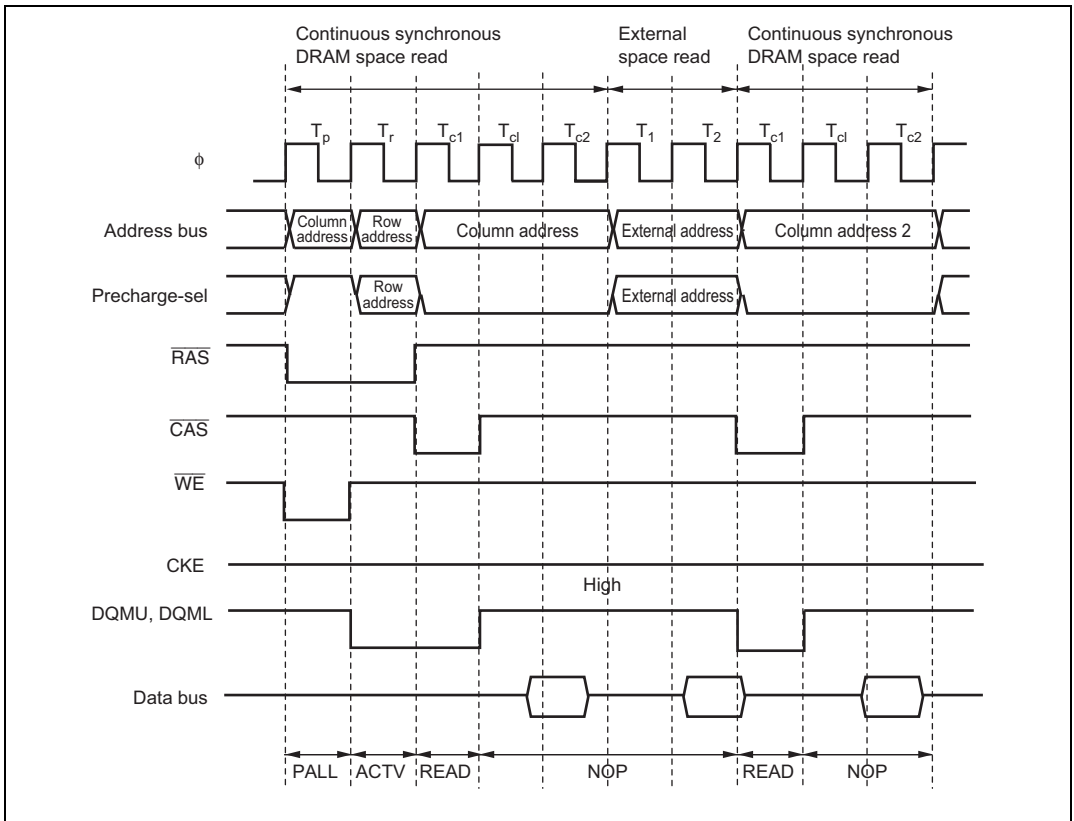
To select RAS down mode, set the BE bit to 1 in DRAMCR regardless of the RCDM bit settings. The operation corresponding to DRAM RAS up mode is not supported by this LSI.

Figure 6.53 shows an example of the timing in RAS down mode.

Note, however, the next continuous synchronous DRAM space access is a full access if:

- a refresh operation is initiated in the RAS down state
- self-refreshing is performed
- the chip enters software standby mode
- the external bus is released
- the BE bit is cleared to 0
- the mode register of the synchronous DRAM is set

There is synchronous DRAM in which time of the active state of each bank is restricted. If it is not guaranteed that other row address are accessed in a period in which program execution ensures the value (software standby, sleep, etc.), auto refresh or self refresh must be set, and the restrictions of the maximum active state time of each bank must be satisfied. When refresh is not used, programs must be developed so that the bank is not in the active state for more than the specified time.



**Figure 6.53 Example of Operation Timing in RAS Down Mode  
(BE = 1, CAS Latency 2)**

### 6.7.13 Refresh Control

This LSI is provided with a synchronous DRAM refresh control function. Auto refreshing is used. In addition, self-refreshing can be executed when the chip enters the software standby state.

Refresh control is enabled when any area is designated as continuous synchronous DRAM space in accordance with the setting of bits RMTS2 to RMTS0 in DRAMCR.

**Auto Refreshing:** To select auto refreshing, set the RFSHE bit to 1 in REFCR.

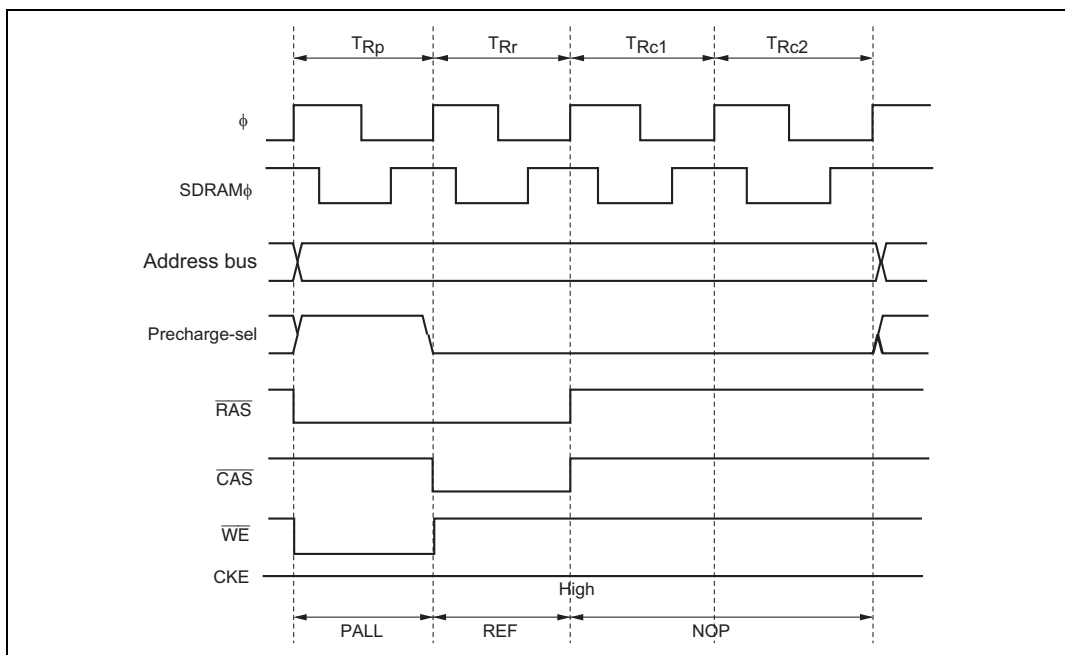
With auto refreshing, RTCNT counts up using the input clock selected by bits RTCK2 to RTCK0 in REFCR, and when the count matches the value set in RTCOR (compare match), refresh control is performed. At the same time, RTCNT is reset and starts counting up again from H'00. Refreshing is thus repeated at fixed intervals determined by RTCOR and bits RTCK2 to RTCK0.

Set a value in RTCOR and bits RTCK2 to RTCK0 that will meet the refreshing interval specification for the synchronous DRAM used.

When bits RTCK2 to RTCK0 are set, RTCNT starts counting up. RTCNT and RTCOR settings should therefore be completed before setting bits RTCK2 to RTCK0. Auto refresh timing is shown in figure 6.54.

Since the refresh counter operation is the same as the operation in the DRAM interface, see section 6.6.12, Refresh Control.

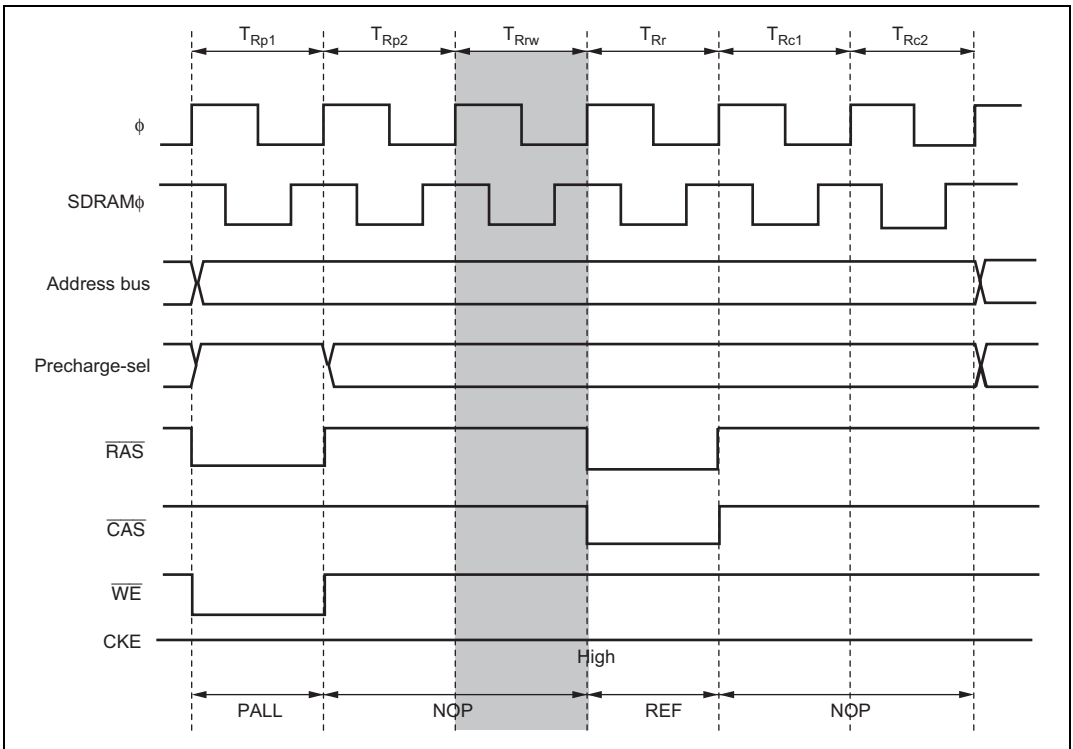
When the continuous synchronous DRAM space is set, access to external address space other than continuous synchronous DRAM space cannot be performed in parallel during the auto refresh period, since the setting of the CBRM bit of REFCR is ignored.



**Figure 6.54 Auto Refresh Timing**

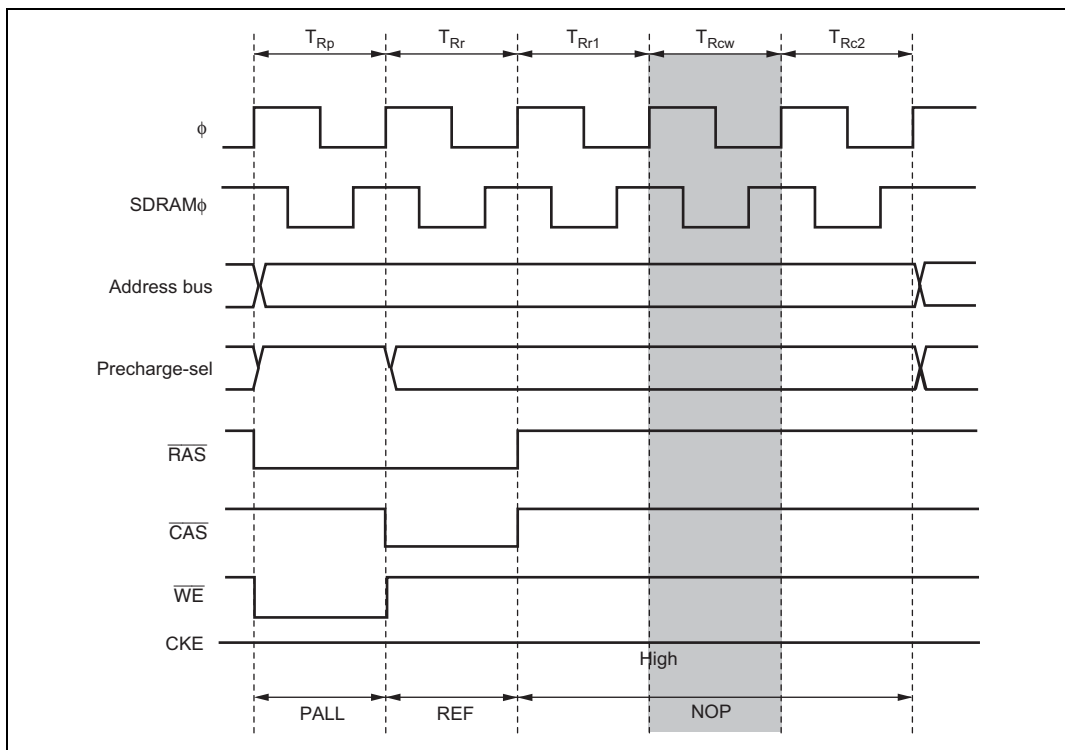
When the interval specification from the PALL command to the REF command cannot be satisfied, setting the RCW1 and RCW0 bits of REFCR enables one to three wait states to be inserted after the  $T_{Rp}$  cycle that is set by the TPC1 and TPC0 bits of DRACCR. Set the optimum number of waits according to the synchronous DRAM connected and the operating frequency of this LSI. Figure 6.55 shows the timing when one wait state is inserted. Since the setting of bits

TPC1 and TPC0 of DRACCR is also valid in refresh cycles, the command interval can be extended by the RCW1 and RCW0 bits after the precharge cycles.



**Figure 6.55 Auto Refresh Timing**  
(TPC = 1, TPC0 = 1, RCW1 = 0, RCW0 = 1)

When the interval specification from the REF command to the ACTV cannot be satisfied, setting the RLW1 and RLW0 bits of REFCR enables one to three wait states to be inserted in the refresh cycle. Set the optimum number of waits according to the synchronous DRAM connected and the operating frequency of this LSI. Figure 6.56 shows the timing when one wait state is inserted.



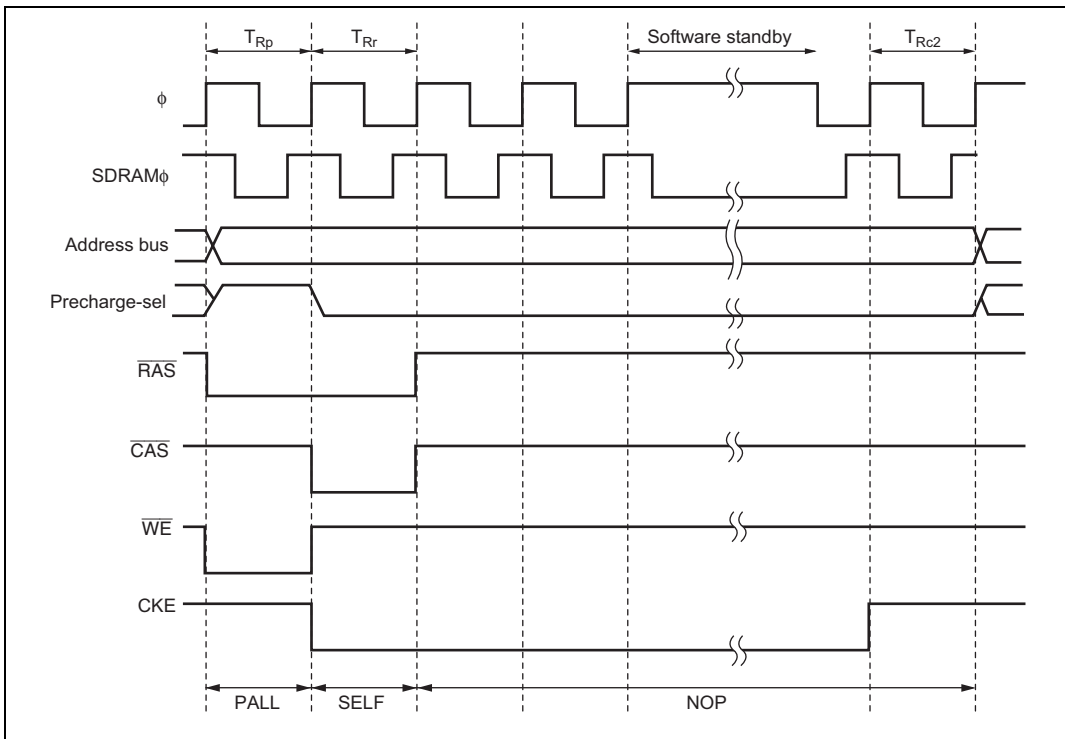
**Figure 6.56 Auto Refresh Timing**  
(TPC = 0, TPC0 = 0, RLW1 = 0, RLW0 = 1)

**Self-Refreshing:** A self-refresh mode (battery backup mode) is provided for synchronous DRAM as a kind of standby mode. In this mode, refresh timing and refresh addresses are generated within the synchronous DRAM.

To select self-refreshing, set the RFSHE bit to 1 in REFCR. When a SLEEP instruction is executed to enter software standby mode, the SELF command is issued, as shown in figure 6.57.

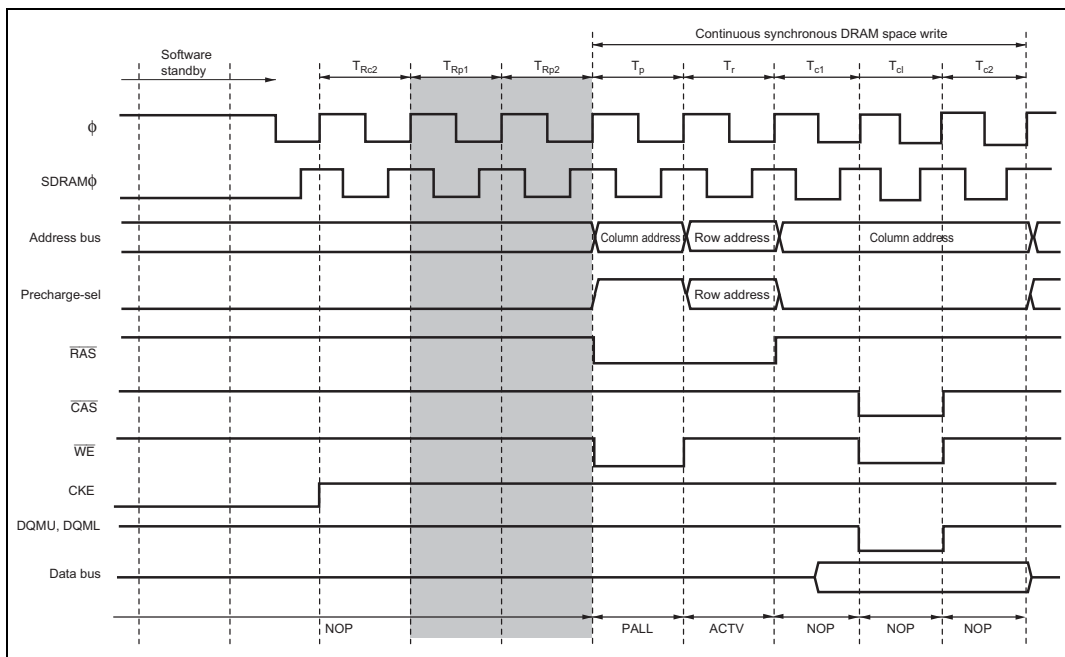
When software standby mode is exited, the SLFRF bit in REFCR is cleared to 0 and self-refresh mode is exited automatically. If an auto refresh request occurs when making a transition to software standby mode, auto refreshing is executed, then self-refresh mode is entered.

When using self-refresh mode, the OPE bit must not be cleared to 0 in SBYCR.



**Figure 6.57 Self-Refresh Timing**  
 (TPC1 = 1, TPC0 = 0, RCW1 = 0, RCW0 = 0, RLW1 = 0, RLW0 = 0)

In some synchronous DRAMs provided with a self-refresh mode, the interval between clearing self-refreshing and the next command is specified. A setting can be made in bits TPCS2 to TPCS0 in REFCR to make the precharge time after self-refreshing from 1 to 7 states longer than the normal precharge time. In this case, too, normal precharging is performed according to the setting of bits TPC1 and TPC0 in DRACCR, and therefore a setting should be made to give the optimum post-self-refresh precharge time, including this time. Figure 6.58 shows an example of the timing when the precharge time after self-refreshing is extended by 2 states.



**Figure 6.58 Example of Timing when Precharge Time after Self-Refreshing Is Extended by 2 States (TPCS2 to TPCS0 = H'2, TPC1 = 0, TPC0 = 0, CAS Latency 2)**

**Refreshing and All-Module-Clocks-Stopped Mode:** In this LSI, if the ACSE bit is set to 1 in MSTPCR, and then a SLEEP instruction is executed with the setting for all peripheral module clocks to be stopped (MSTPCR = H'FFFF, EXMSTPCR = H'FFFF) or for operation of the 8-bit timer module alone (MSTPCR = H'FFFE, EXMSTPCR = H'FFFF), and a transition is made to the sleep state, the all-module-clocks-stopped mode is entered, in which the bus controller and I/O port clocks are also stopped.

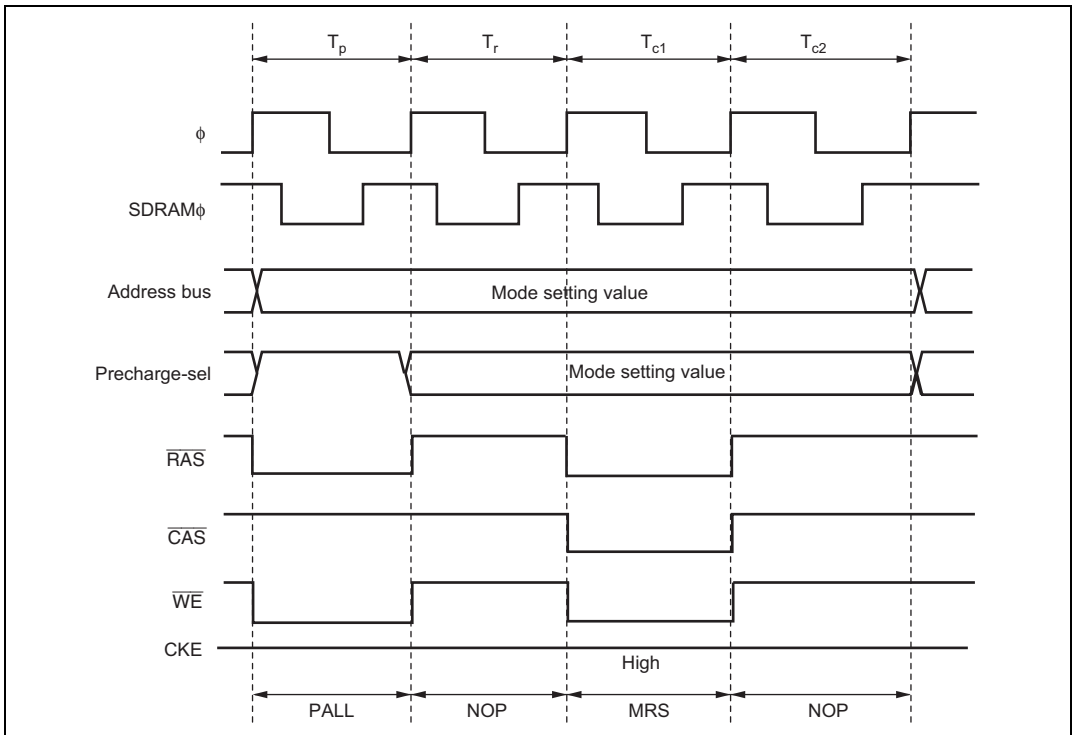
As the bus controller clock is also stopped in this mode, auto refreshing is not executed. If synchronous DRAM is connected to the external address space and DRAM data is to be retained in sleep mode, the ACSE bit must be cleared to 0 in MSTPCR.

**Software Standby:** When a transition is made to normal software standby, the PALL command is not output. If synchronous DRAM is connected and DRAM data is to be retained in software standby, self-refreshing must be set.

### 6.7.14 Mode Register Setting of Synchronous DRAM

To use synchronous DRAM, mode must be set after power-on. To set mode, set the RMTS2 to RMTS0 bits in DRAMCR to H'5 and enable the synchronous DRAM mode register setting. After that, access the continuous synchronous DRAM space in bytes. When the value to be set in the synchronous DRAM mode register is X, value X is set in the synchronous DRAM mode register by writing to the continuous synchronous DRAM space of address H'400000 + X for 8-bit bus configuration synchronous DRAM and by writing to the continuous synchronous DRAM space of address H'400000 + 2X for 16-bit bus configuration synchronous DRAM.

The value of the address signal is fetched at the issuance time of the MRS command as the setting value of the mode register in the synchronous DRAM. Mode of burst read/burst write in the synchronous DRAM is not supported by this LSI. For setting the mode register of the synchronous DRAM, set the burst read/single write with the burst length of 1. Figure 6.59 shows the setting timing of the mode in the synchronous DRAM.



**Figure 6.59 Synchronous DRAM Mode Setting Timing**



## 6.7.15 DMAC and EXDMAC Single Address Transfer Mode and Synchronous DRAM Interface

When burst mode is selected on the synchronous DRAM interface, the  $\overline{\text{DACK}}$  and  $\overline{\text{EDACK}}$  output timing can be selected with the DDS and EDDS bits in DRAMCR. When continuous synchronous DRAM space is accessed in DMAC/EXDMAC single address mode at the same time, these bits select whether or not burst access is to be performed. The establishment time for the read data can be extended in the clock suspend mode irrespective of the settings of the DDS and EDDS bits.

### (1) Output Timing of $\overline{\text{DACK}}$ or $\overline{\text{EDACK}}$

**When DDS = 1 or EDDS = 1:** Burst access is performed by determining the address only, irrespective of the bus master. With the synchronous DRAM interface, the  $\overline{\text{DACK}}$  or  $\overline{\text{EDACK}}$  output goes low from the  $T_{c1}$  state.

Figure 6.60 shows the  $\overline{\text{DACK}}$  or  $\overline{\text{EDACK}}$  output timing for the synchronous DRAM interface when DDS = 1 or EDDS = 1.

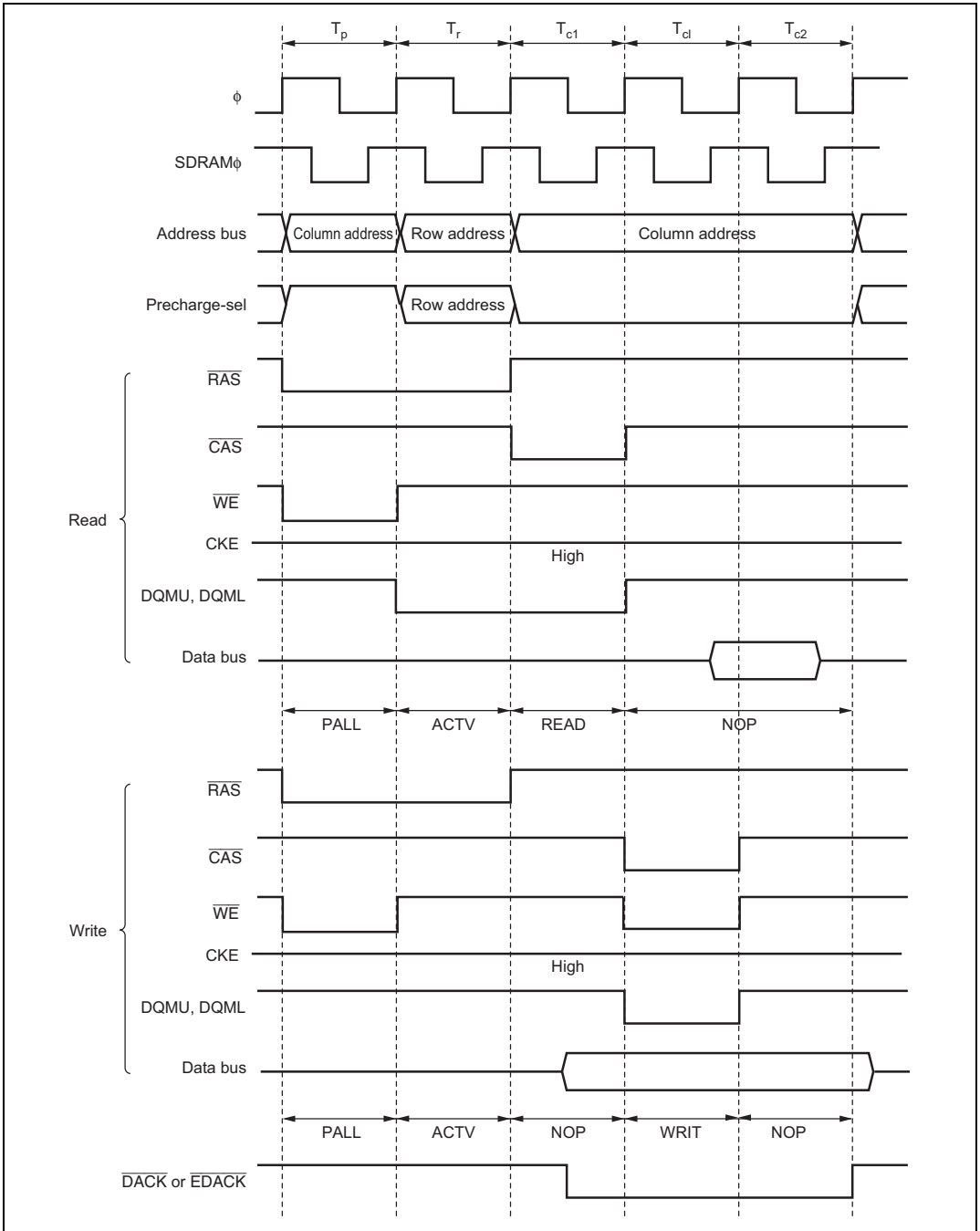


Figure 6.60 Example of  $\overline{\text{DACK}}/\overline{\text{EDACK}}$  Output Timing when  $\text{DDS} = 1$  or  $\text{EDDS} = 1$

**When DDS = 0 or EDDS = 0:** When continuous synchronous DRAM space is accessed in DMAC or EXDMAC single address transfer mode, full access (normal access) is always performed. With the synchronous DRAM interface, the  $\overline{\text{DACK}}$  or  $\overline{\text{EDACK}}$  output goes low from the  $T_r$  state.

In modes other than DMAC or EXDMAC single address transfer mode, burst access can be used when accessing continuous synchronous DRAM space.

Figure 6.61 shows the  $\overline{\text{DACK}}$  or  $\overline{\text{EDACK}}$  output timing for connecting the synchronous DRAM interface when  $\text{DDS} = 0$  or  $\text{EDDS} = 0$ .

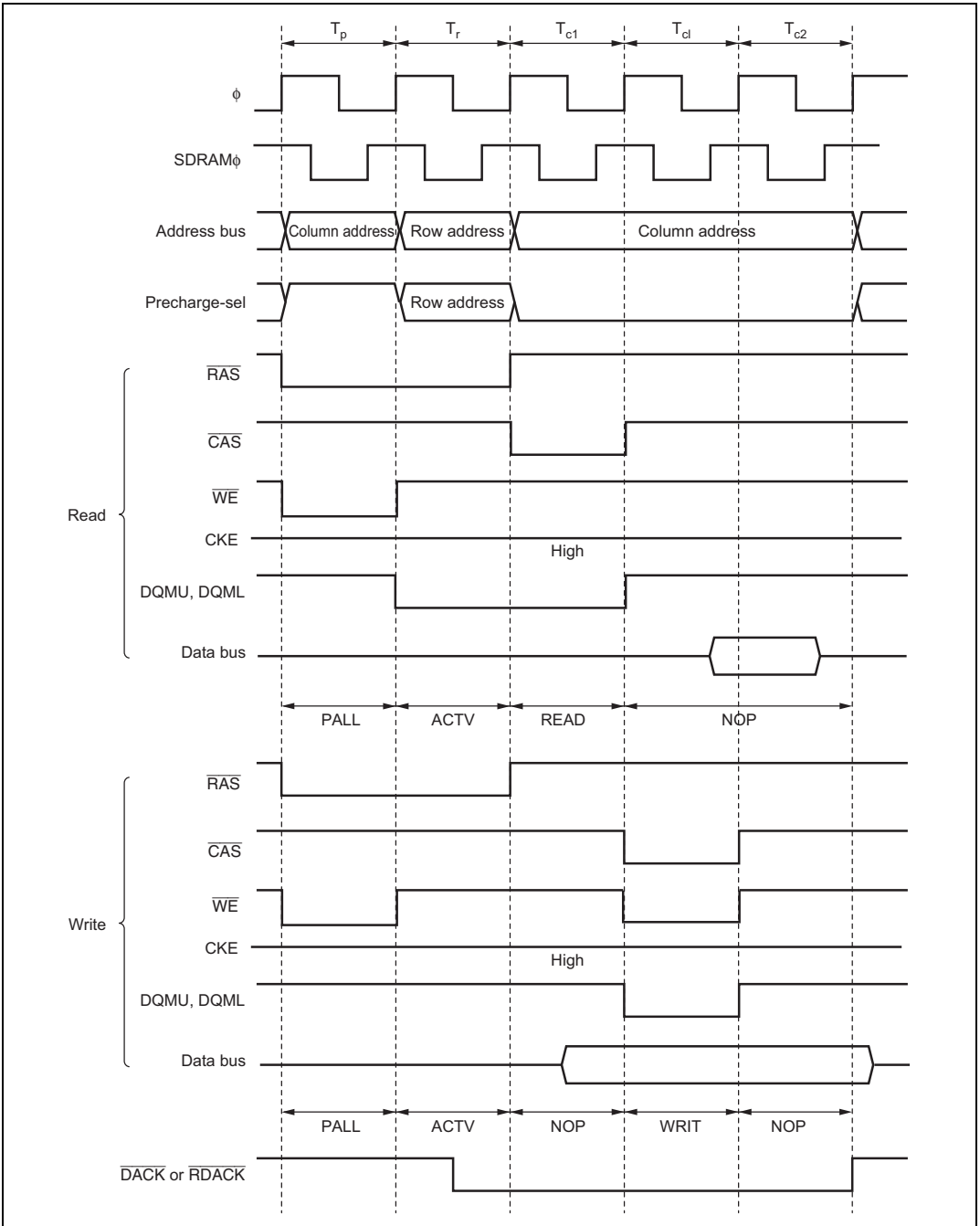
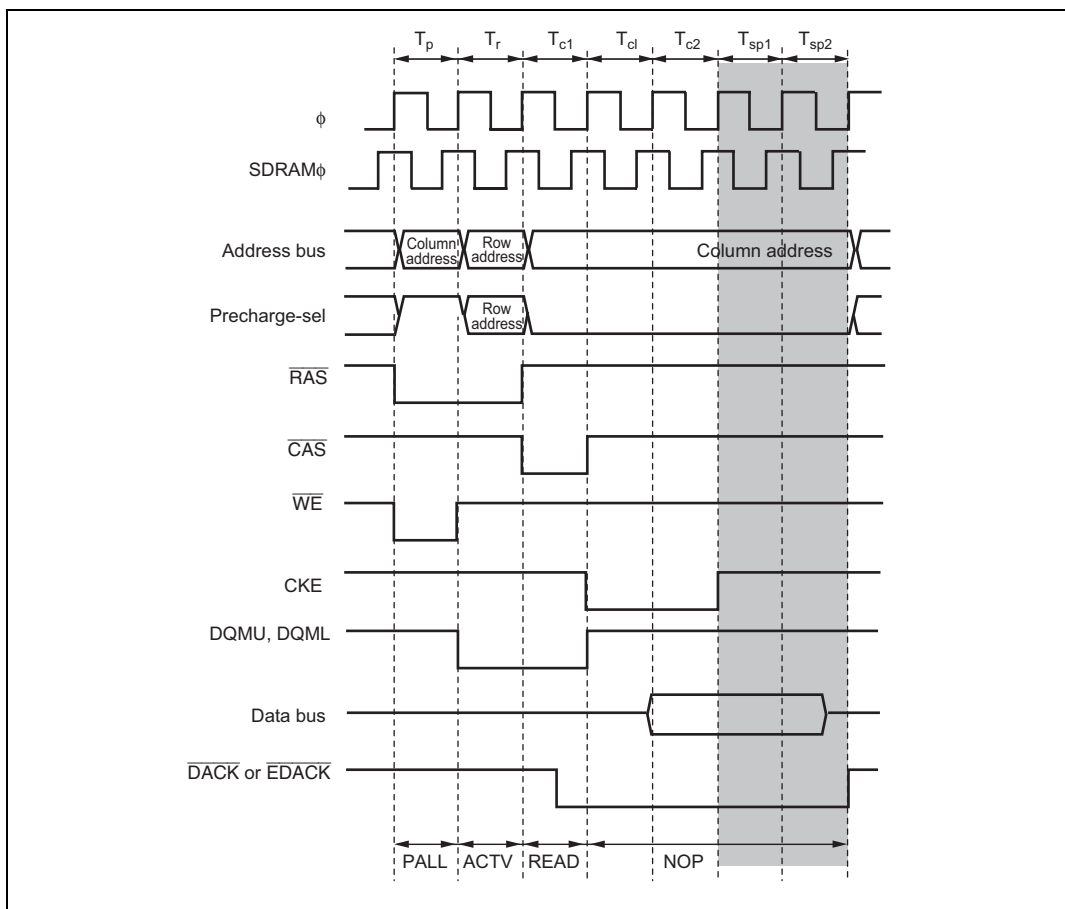


Figure 6.61 Example of  $\overline{DACK}/\overline{EDACK}$  Output Timing when DDS = 0 or EDSS = 0

## (2) Read Data Extension

If the CKSPE bit is set to 1 in DRACCR when the continuous synchronous DRAM space is read-accessed in DMAC/EXDMAC single address mode, the establishment time for the read data can be extended by clock suspend mode. The number of states for insertion of the read data extension cycle ( $T_{sp}$ ) is set in bits RDXC1 and RDXC0 in DRACCR. Be sure to set the OEE bit to 1 in DRAMCR when the read data will be extended. The extension of the read data is not in accordance with the bits DDS and EDDS.

Figure 6.62 shows the timing chart when the read data is extended by two cycles.



**Figure 6.62 Example of Timing when the Read Data Is Extended by Two States (DDS = 1, or EDDS = 1, RDXC1 = 0, RDXC0 = 1, CAS Latency 2)**

## 6.8 Burst ROM Interface

In this LSI, external address space areas 0 and 1 can be designated as burst ROM space, and burst ROM interfacing performed. The burst ROM space enables ROM with burst access capability to be accessed at high speed.

Areas 1 and 0 can be designated as burst ROM space by means of bits BSRM1 and BSRM0 in BROMCR. Continuous burst accesses of 4, 8, 16, or 32 words can be performed, according to the setting of the BSWD11 and BSWD10 bits in BROMCR. From 1 to 8 states can be selected for burst access.

Settings can be made independently for area 0 and area 1.

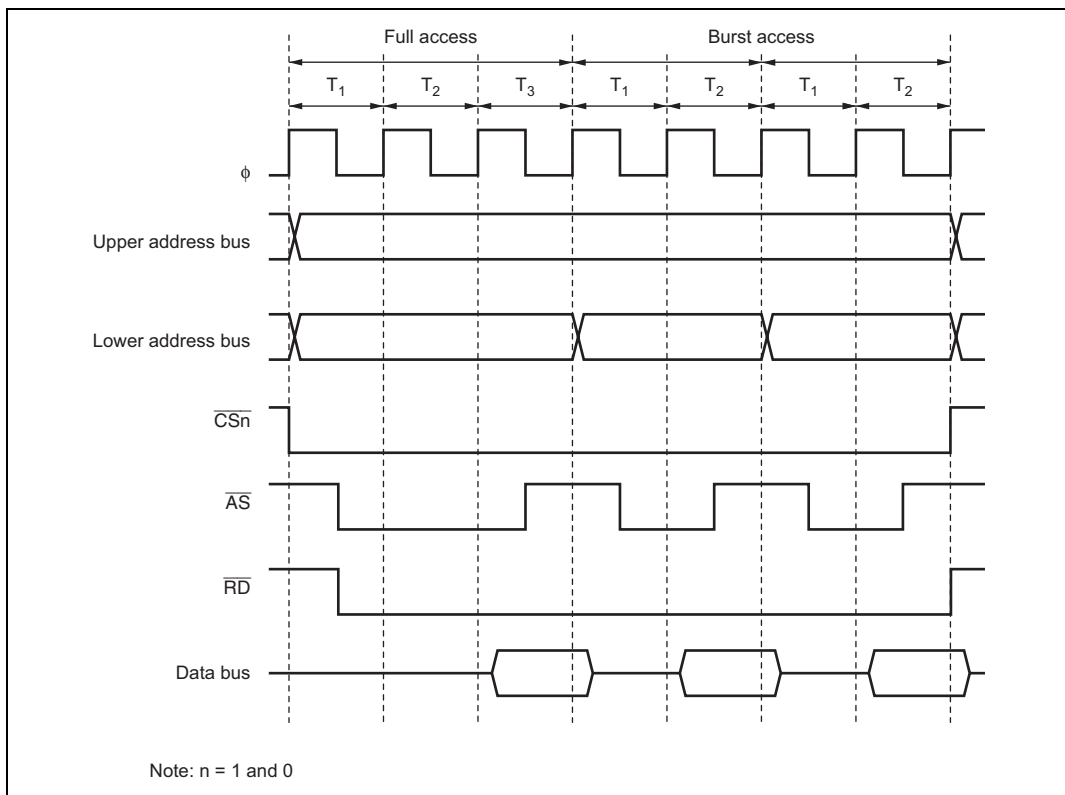
In burst ROM space, burst access covers only CPU read accesses.

### 6.8.1 Basic Timing

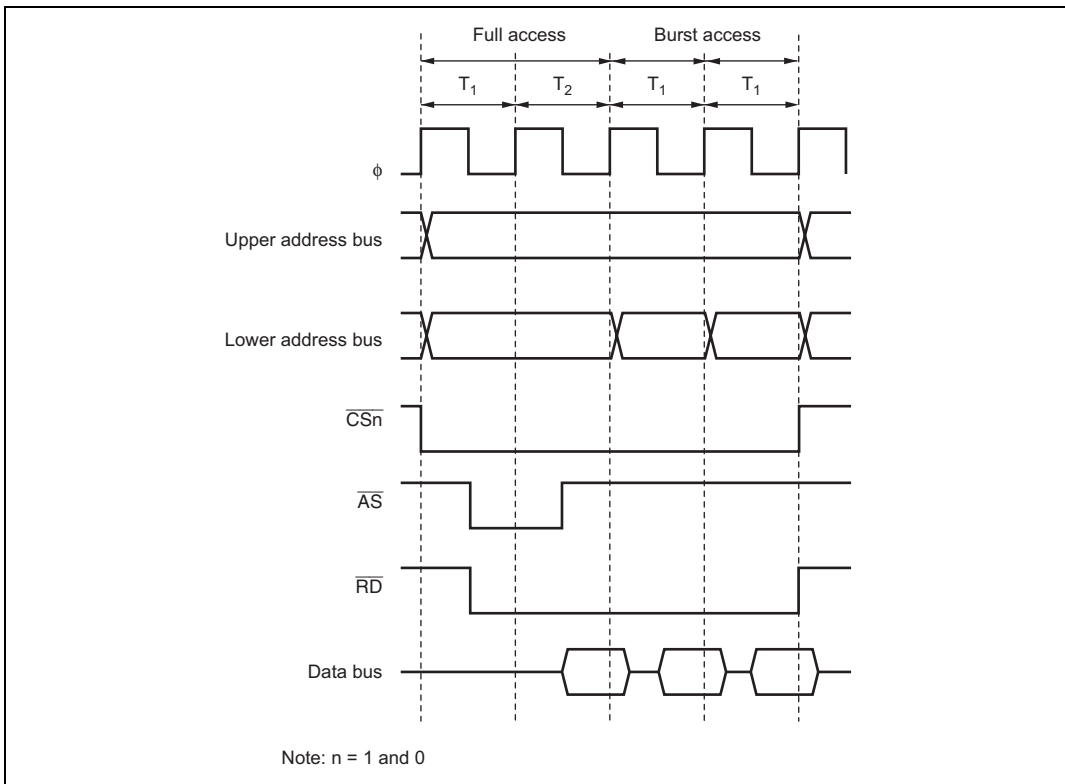
The number of access states in the initial cycle (full access) on the burst ROM interface is determined by the basic bus interface settings in ASTCR, ABWCR, WTCRA, WTCRB, and CSACRH. When area 0 or area 1 is designated as burst ROM space, the settings in RDNCR and CSACRL are ignored.

From 1 to 8 states can be selected for the burst cycle, according to the settings of bits BSTS02 to BSTS00 and BSTS12 to BSTS10 in BROMCR. Wait states cannot be inserted. Burst access of up to 32 words is performed, according to the settings of bits BSTS01, BSTS00, BSTS11, and BSTS10 in BROMCR.

The basic access timing for burst ROM space is shown in figures 6.63 and 6.64.



**Figure 6.63 Example of Burst ROM Access Timing**  
**(ASTn = 1, 2-State Burst Cycle)**



**Figure 6.64 Example of Burst ROM Access Timing  
(ASTn = 0, 1-State Burst Cycle)**

## 6.8.2 Wait Control

As with the basic bus interface, either program wait insertion or pin wait insertion using the  $\overline{\text{WAIT}}$  pin can be used in the initial cycle (full access) on the burst ROM interface. See section 6.5.4, Wait Control. Wait states cannot be inserted in a burst cycle.

## 6.8.3 Write Access

When a write access to burst ROM space is executed, burst access is interrupted at that point and the write access is executed in line with the basic bus interface settings. Write accesses are not performed in burst mode even though burst ROM space is designated.



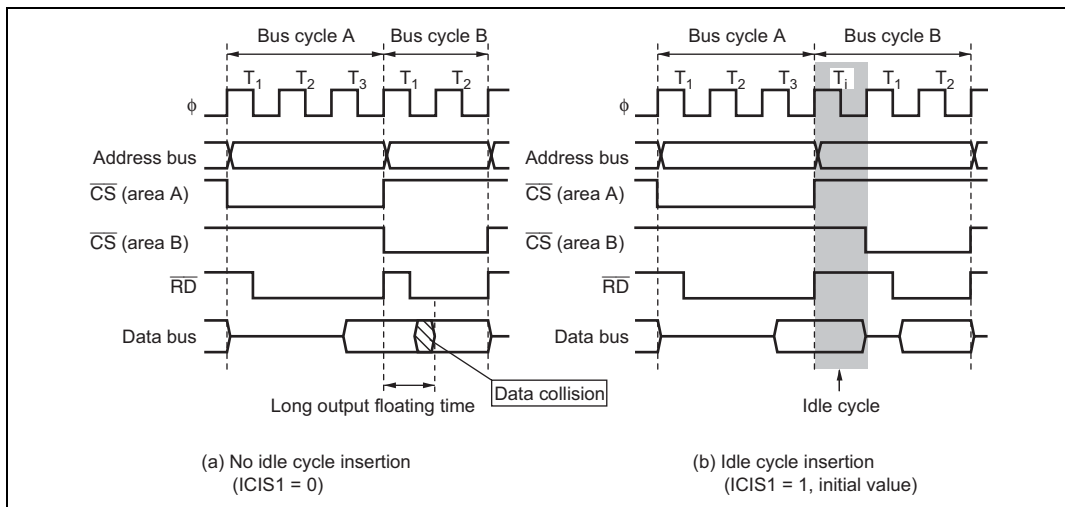
## 6.9 Idle Cycle

### 6.9.1 Operation

When this LSI accesses external address space, it can insert an idle cycle ( $T_i$ ) between bus cycles in the following three cases: (1) when read accesses in different areas occur consecutively, (2) when a write cycle occurs immediately after a read cycle, and (3) when a read cycle occurs immediately after a write cycle. Insertion of a 1-state or 2-state idle cycle can be selected with the IDLC bit in BCR. By inserting an idle cycle it is possible, for example, to avoid data collisions between ROM, etc., with a long output floating time, and high-speed memory, I/O interfaces, and so on.

**Consecutive Reads in Different Areas:** If consecutive reads in different areas occur while the ICIS1 bit is set to 1 in BCR, an idle cycle is inserted at the start of the second read cycle.

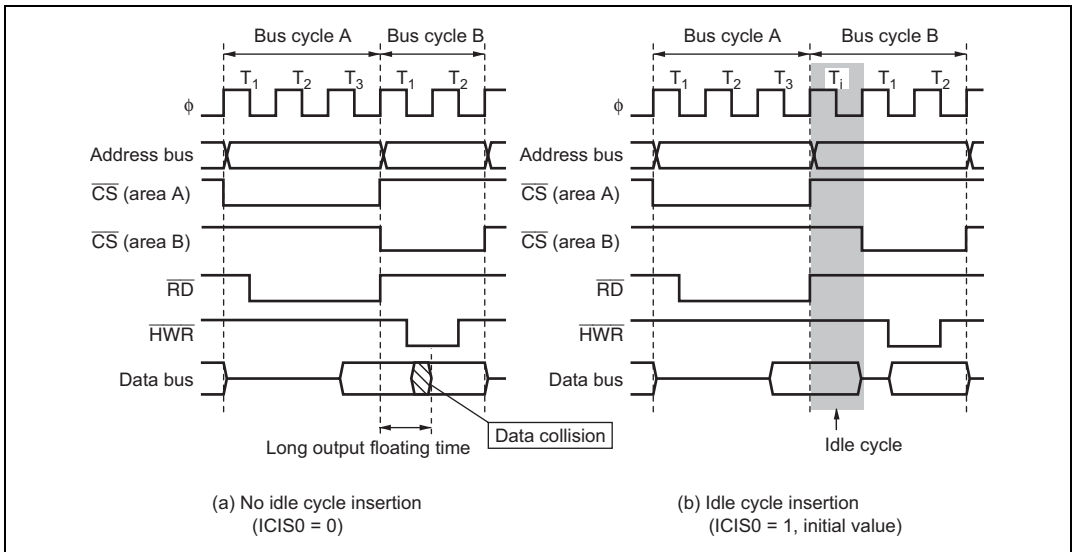
Figure 6.65 shows an example of the operation in this case. In this example, bus cycle A is a read cycle for ROM with a long output floating time, and bus cycle B is a read cycle for SRAM, each being located in a different area. In (a), an idle cycle is not inserted, and a collision occurs in bus cycle B between the read data from ROM and that from SRAM. In (b), an idle cycle is inserted, and a data collision is prevented.



**Figure 6.65 Example of Idle Cycle Operation  
(Consecutive Reads in Different Areas)**

**Write after Read:** If an external write occurs after an external read while the ICIS0 bit is set to 1 in BCR, an idle cycle is inserted at the start of the write cycle.

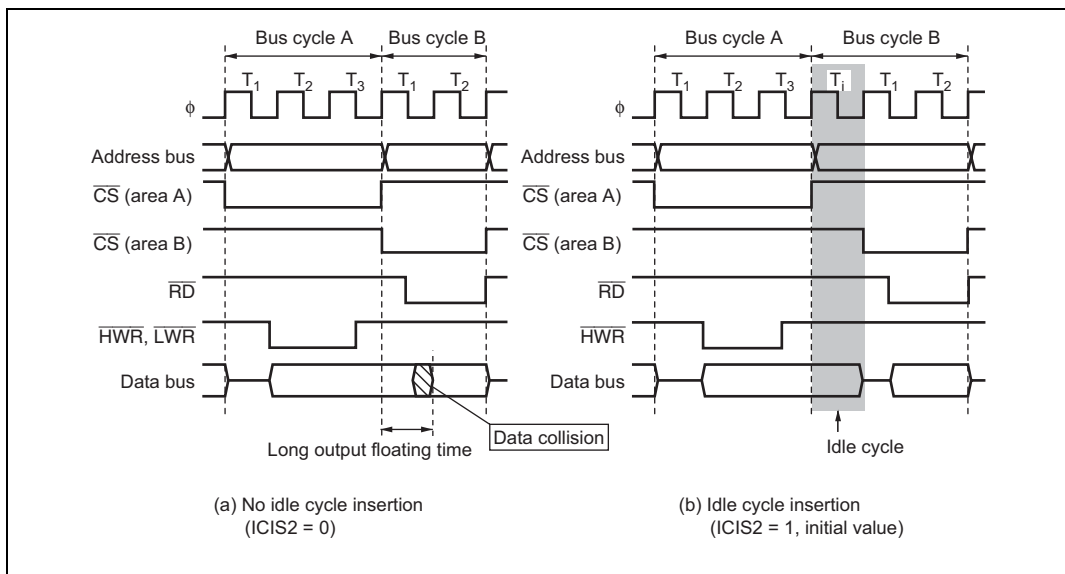
Figure 6.66 shows an example of the operation in this case. In this example, bus cycle A is a read cycle for ROM with a long output floating time, and bus cycle B is a CPU write cycle. In (a), an idle cycle is not inserted, and a collision occurs in bus cycle B between the read data from ROM and the CPU write data. In (b), an idle cycle is inserted, and a data collision is prevented.



**Figure 6.66 Example of Idle Cycle Operation (Write after Read)**

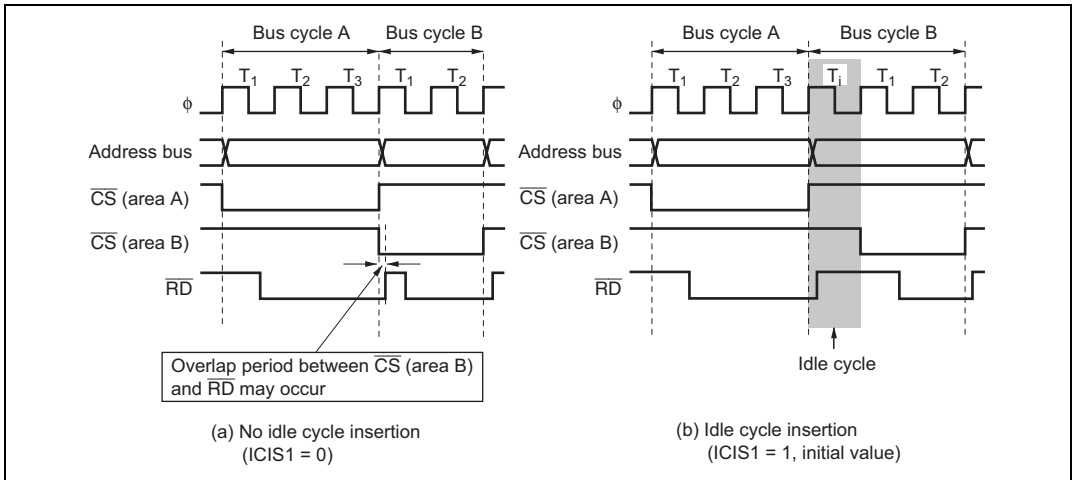
**Read after Write:** If an external read occurs after an external write while the ICIS2 bit is set to 1 in BCR, an idle cycle is inserted at the start of the read cycle.

Figure 6.67 shows an example of the operation in this case. In this example, bus cycle A is a CPU write cycle and bus cycle B is a read cycle from an external device. In (a), an idle cycle is not inserted, and a collision occurs in bus cycle B between the CPU write data and read data from an external device. In (b), an idle cycle is inserted, and a data collision is prevented.



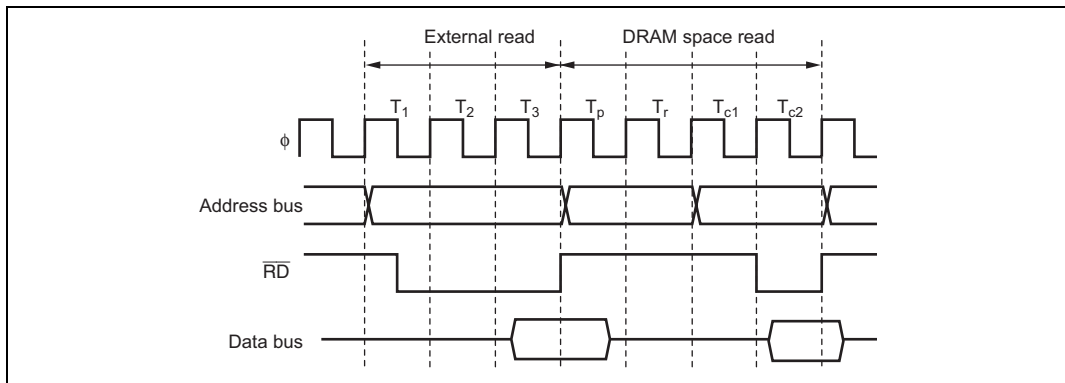
**Figure 6.67 Example of Idle Cycle Operation (Read after Write)**

**Relationship between Chip Select ( $\overline{CS}$ ) Signal and Read ( $\overline{RD}$ ) Signal:** Depending on the system's load conditions, the  $\overline{RD}$  signal may lag behind the  $\overline{CS}$  signal. An example is shown in figure 6.68. In this case, with the setting for no idle cycle insertion (a), there may be a period of overlap between the bus cycle A  $\overline{RD}$  signal and the bus cycle B  $\overline{CS}$  signal. Setting idle cycle insertion, as in (b), however, will prevent any overlap between the  $\overline{RD}$  and  $\overline{CS}$  signals. In the initial state after reset release, idle cycle insertion (b) is set.



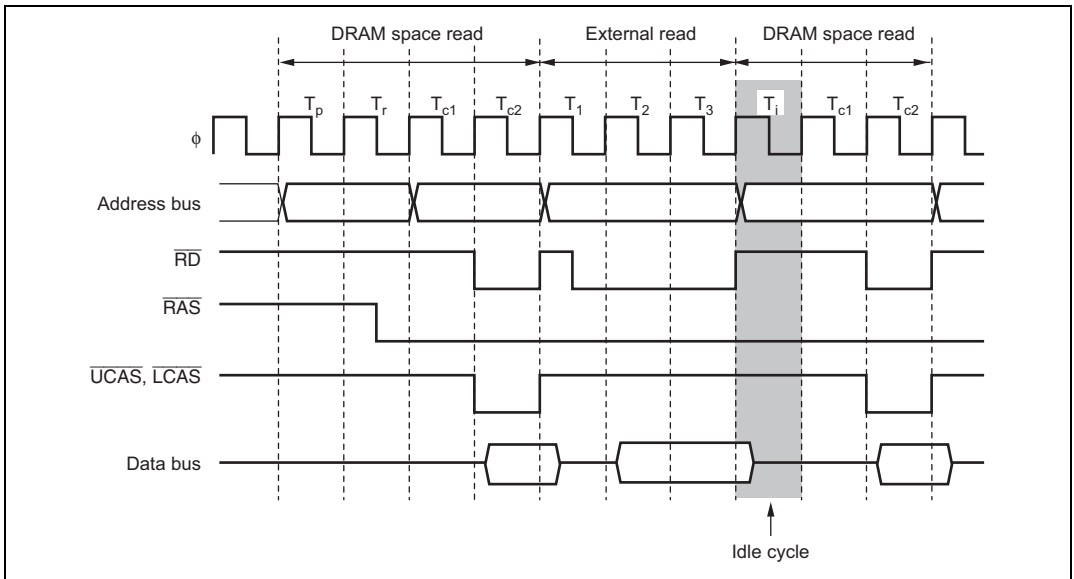
**Figure 6.68 Relationship between Chip Select ( $\overline{CS}$ ) and Read ( $\overline{RD}$ )**

**Idle Cycle in Case of DRAM Space Access after Normal Space Access:** In a DRAM space access following a normal space access, the settings of bits ICIS2, ICIS1, ICIS0, and IDLC in BCR are valid. However, in the case of consecutive reads in different areas, for example, if the second read is a full access to DRAM space, only a  $T_p$  cycle is inserted, and a  $T_1$  cycle is not. The timing in this case is shown in figure 6.69.

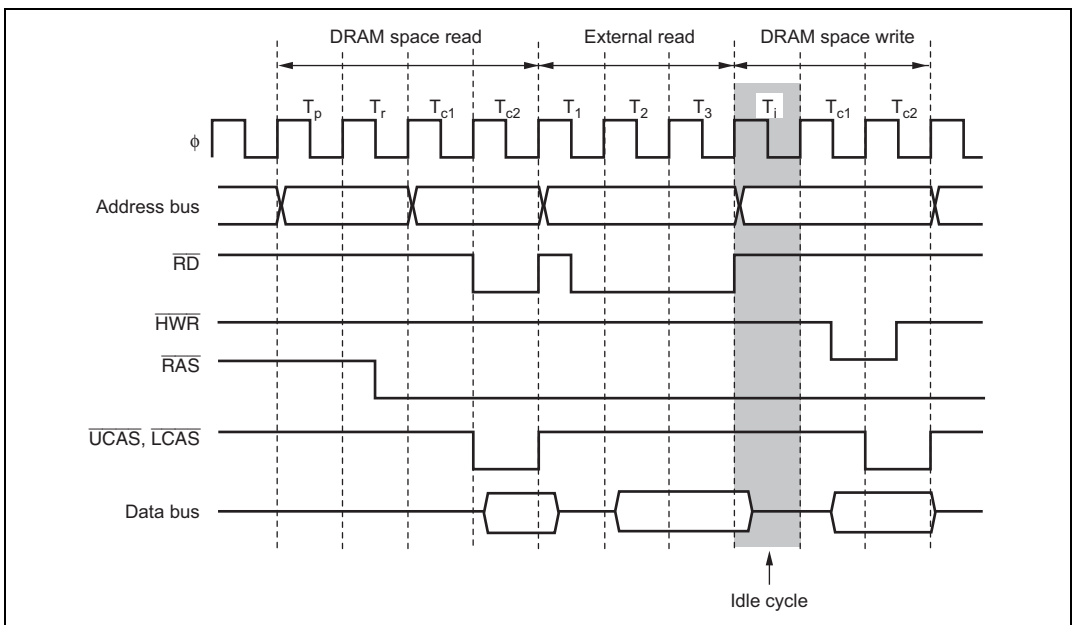


**Figure 6.69 Example of DRAM Full Access after External Read  
(CAST = 0)**

In burst access in RAS down mode, the settings of bits ICIS2, ICIS1, ICIS0, and IDLC are valid and an idle cycle is inserted. The timing in this case is illustrated in figures 6.70 and 6.71.



**Figure 6.70 Example of Idle Cycle Operation in RAS Down Mode  
(Consecutive Reads in Different Areas) (IDLIC = 0, RAST = 0, CAST = 0)**

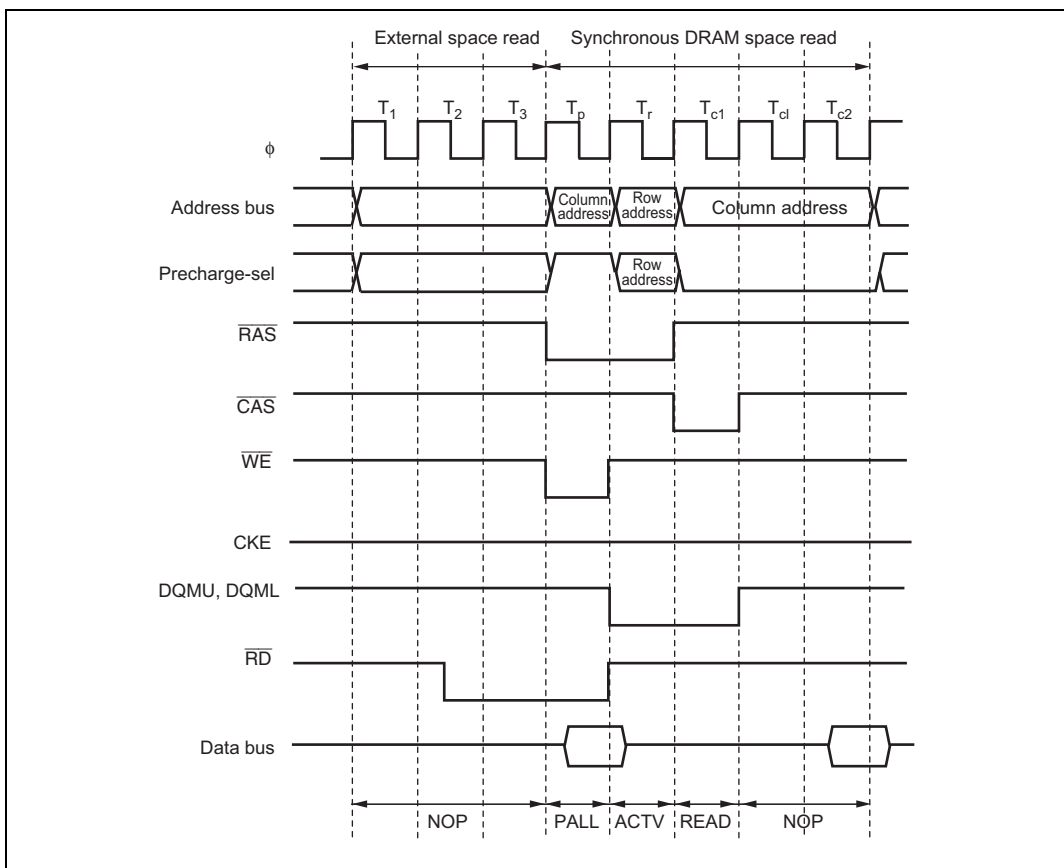


**Figure 6.71 Example of Idle Cycle Operation in RAS Down Mode  
(Write after Read) (IDLIC = 0, RAST = 0, CAST = 0)**

### Idle Cycle in Case of Continuous Synchronous DRAM Space Access after Normal Space Access

**Access:** In a continuous synchronous DRAM space access following a normal space access, the settings of bits ICIS2, ICIS1, ICIS0, and IDLC in BCR are valid. However, in the case of consecutive reads in different areas, for example, if the second read is a full access to continuous synchronous DRAM space, only  $T_p$  cycle is inserted, and  $T_i$  cycle is not. The timing in this case is shown in figure 6.72.

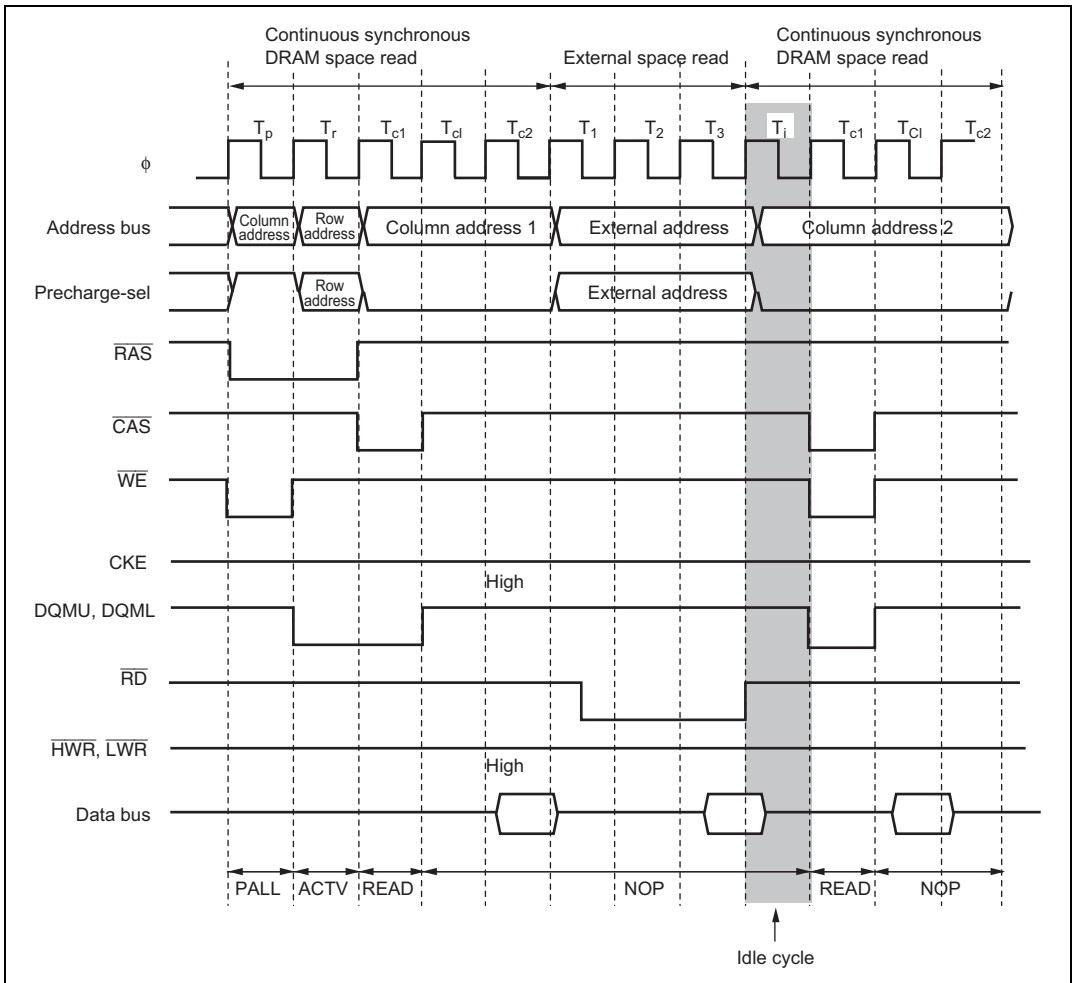
Note: In the H8S/2378 Group, the synchronous DRAM interface is not supported.



**Figure 6.72 Example of Synchronous DRAM Full Access after External Read (CAS Latency 2)**

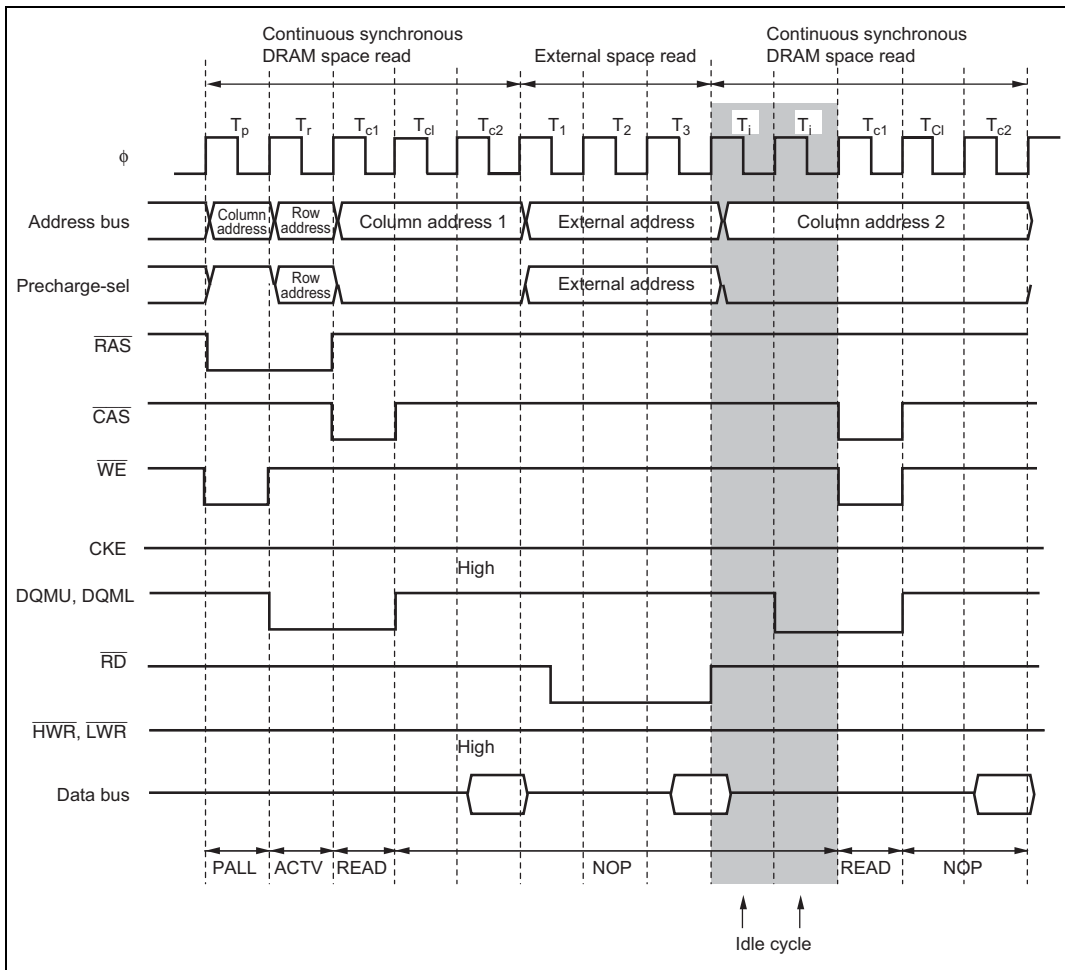
In burst access in RAS down mode, the settings of bits ICIS2, ICIS1, ICIS0, and IDLC are valid and an idle cycle is inserted. However, in read access, note that the timings of DQMU and DQML differ according to the settings of the IDLC bit. The timing in this case is illustrated in figures

6.73 and 6.74. In write access, DQMU and DQML are not in accordance with the settings of the IDLC bit. The timing in this case is illustrated in figure 6.75.

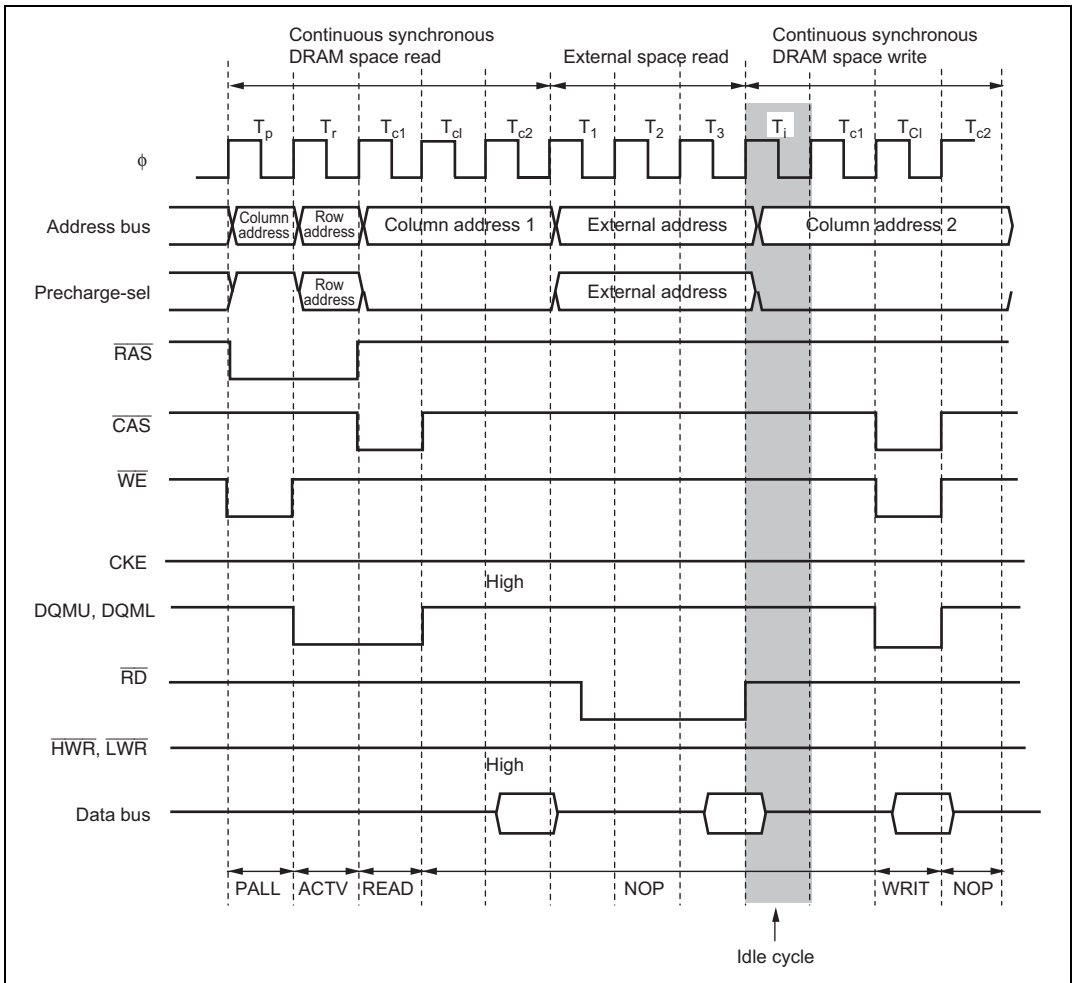


**Figure 6.73 Example of Idle Cycle Operation in RAS Down Mode (Read in Different Area) (IDLC = 0, CAS Latency 2)**





**Figure 6.74 Example of Idle Cycle Operation in RAS Down Mode (Read in Different Area) (IDLC = 1, CAS Latency 2)**



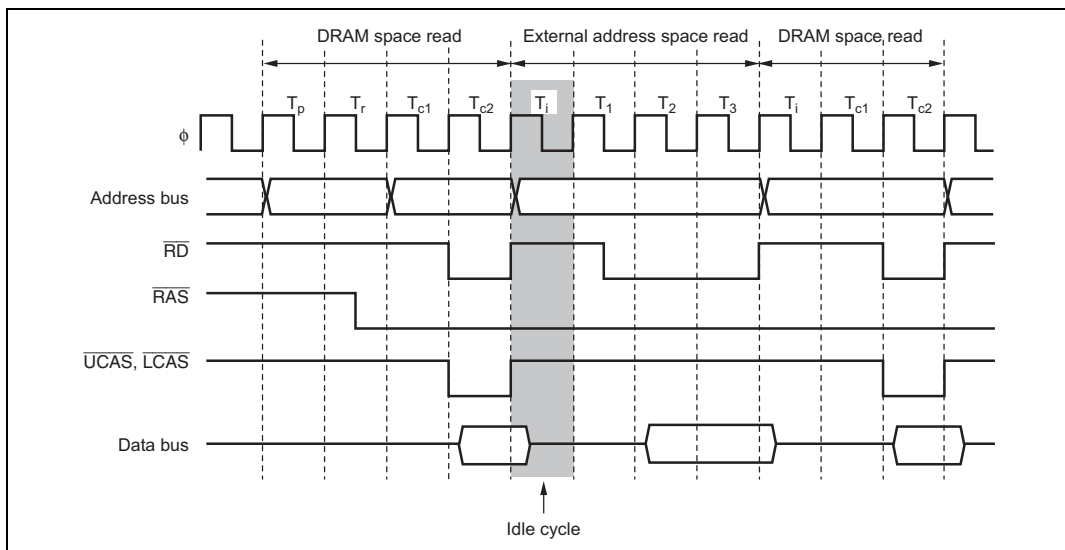
**Figure 6.75 Example of Idle Cycle Operation in RAS Down Mode  
(Write after Read) (IDLC = 0, CAS Latency 2)**

### Idle Cycle in Case of Normal Space Access after DRAM Space Access:

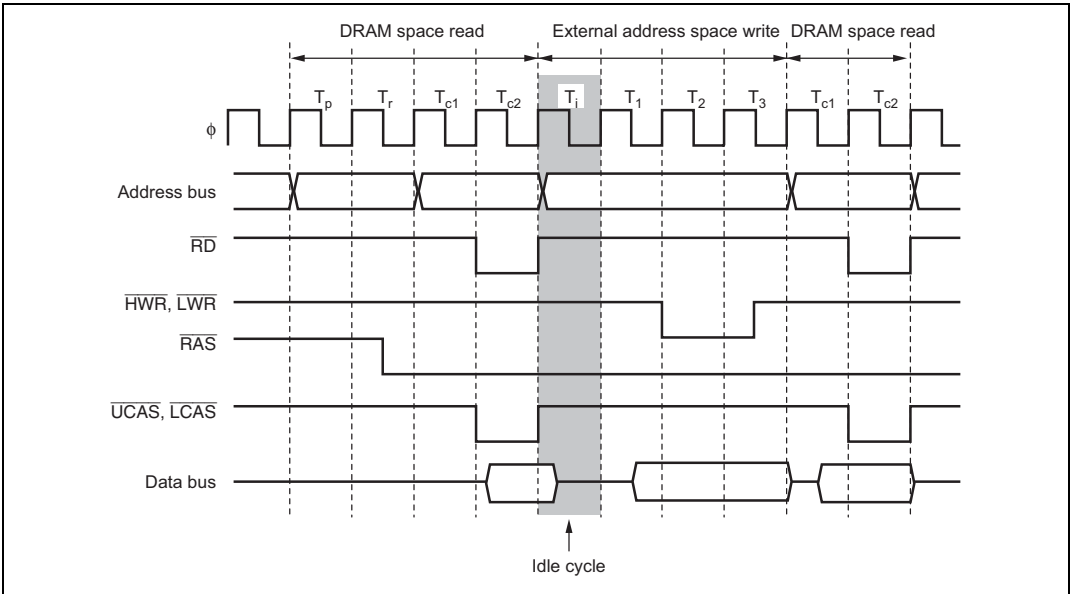
- Normal space access after DRAM space read access

While the DRMI bit is cleared to 0 in DRACCR, idle cycle insertion after DRAM space access is disabled. Idle cycle insertion after DRAM space access can be enabled by setting the DRMI bit to 1. The conditions and number of states of the idle cycle to be inserted are in accordance with the settings of bits ICIS1, ICIS0, and IDLC in BCR are valid. Figures 6.76 and 6.77 show examples of idle cycle operation when the DRMI bit is set to 1.

When the DRMI bit is cleared to 0, an idle cycle is not inserted after DRAM space access even if bits ICIS1 and ICIS0 are set to 1.



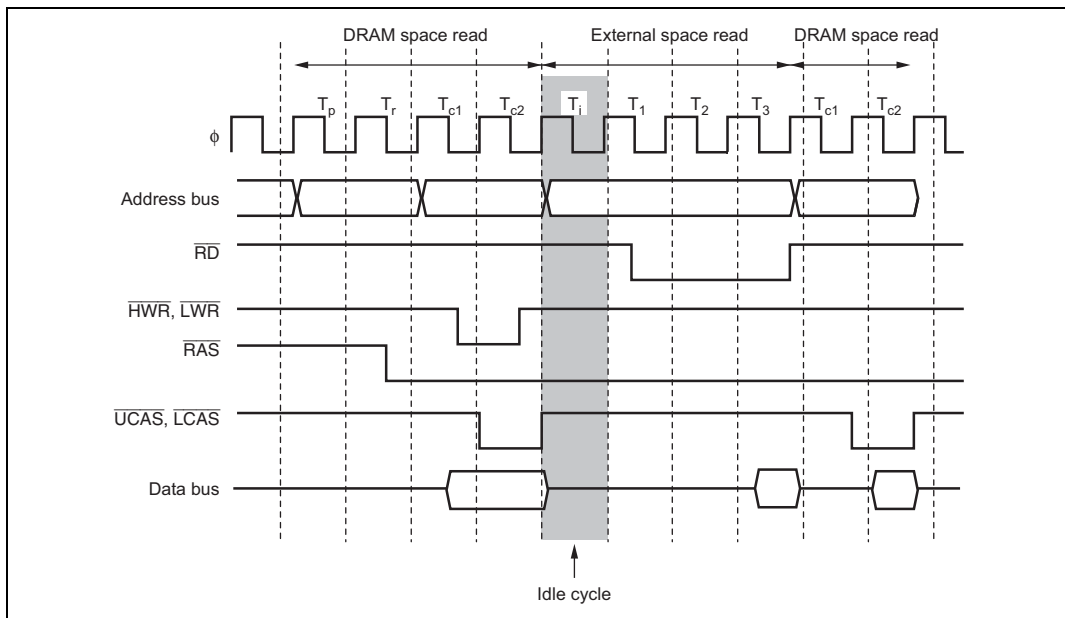
**Figure 6.76 Example of Idle Cycle Operation after DRAM Access  
(Consecutive Reads in Different Areas) (IDLC = 0, RAST = 0, CAST = 0)**



**Figure 6.77 Example of Idle Cycle Operation after DRAM Access  
(Write after Read) (IDLC = 0, RAST = 0, CAST = 0)**

- Normal space access after DRAM space write access

While the ICIS2 bit is set to 1 in BCR and a normal space read access occurs after DRAM space write access, idle cycle is inserted in the first read cycle. The number of states of the idle cycle to be inserted is in accordance with the setting of the IDLC bit. It does not depend on the DRMI bit in DRACCR. Figure 6.78 shows an example of idle cycle operation when the ICIS2 bit is set to 1.



**Figure 6.78 Example of Idle Cycle Operation after DRAM Write Access  
(IDLC = 0, ICIS1 = 0, RAST = 0, CAST = 0)**

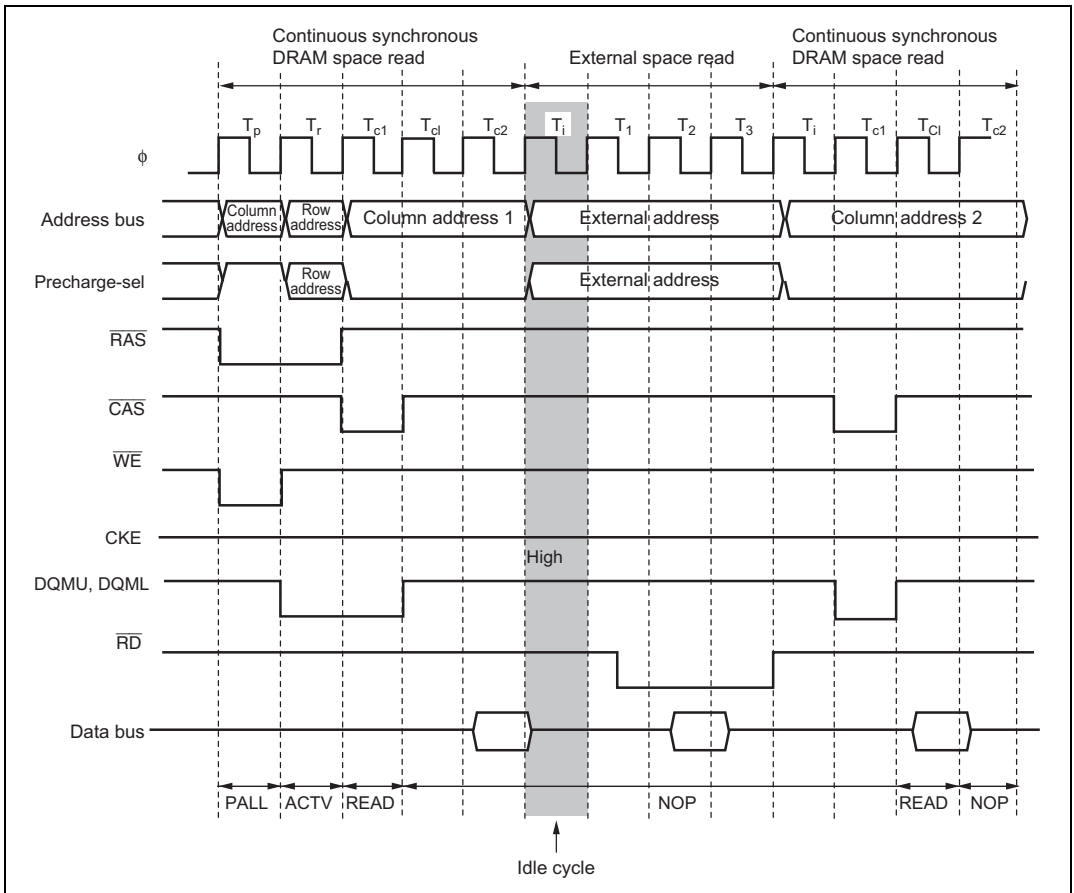
#### Idle Cycle in Case of Normal Space Access after Continuous Synchronous DRAM Space Access:

Note: In the H8S/2378 Group, the synchronous DRAM interface is not supported.

- Normal space access after a continuous synchronous DRAM space read access
 

While the DRMI bit is cleared to 0 in DRACCR, idle cycle insertion after continuous synchronous DRAM space read access is disabled. Idle cycle insertion after continuous synchronous DRAM space read access can be enabled by setting the DRMI bit to 1. The conditions and number of states of the idle cycle to be inserted are in accordance with the settings of bits ICIS1, ICIS0, and IDLC in RCR. Figure 6.79 shows an example of idle cycle operation when the DRMI bit is set to 1. When the DRMI bit is cleared to 0, an idle cycle is

not inserted after continuous synchronous DRAM space read access even if bits ICIS1 and ICIS0 are set to 1.

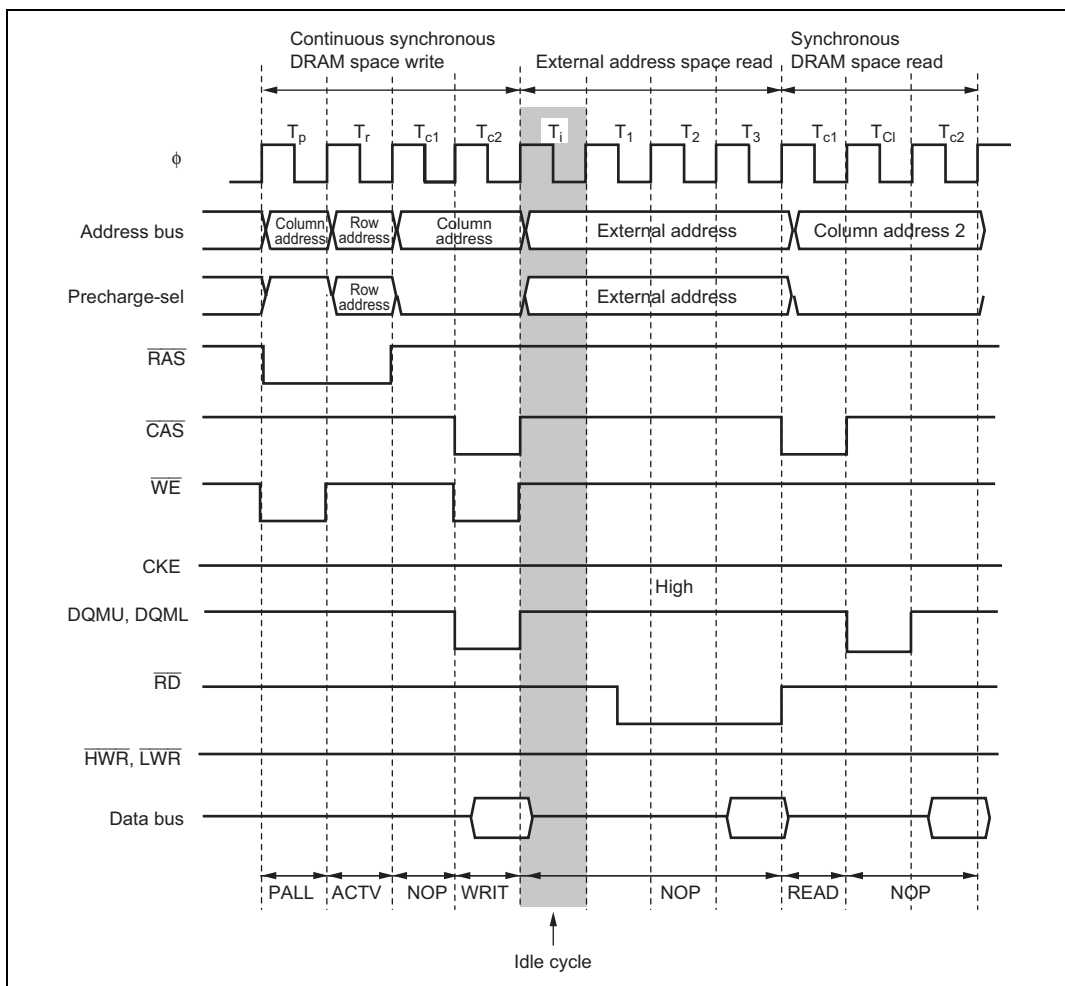


**Figure 6.79 Example of Idle Cycle Operation after Continuous Synchronous DRAM Space Read Access (Read between Different Area) (IDLIC = 0, CAS Latency 2)**

- Normal space access after a continuous synchronous DRAM space write access

If a normal space read cycle occurs after a continuous synchronous DRAM space write access while the ICIS2 bit is set to 1 in BCR, idle cycle is inserted at the start of the read cycle. The number of states of the idle cycle to be inserted is in accordance with the setting of bit IDLC. It is not in accordance with the DRMI bit in DRACCR.

Figure 6.80 shows an example of idle cycle operation when the ICIS2 bit is set to 1.



**Figure 6.80 Example of Idle Cycle Operation after Continuous Synchronous DRAM Space Write Access (IDLC = 0, ICIS1 = 0, SDWCD = 1, CAS Latency 2)**

Table 6.11 shows whether there is an idle cycle insertion or not in the case of mixed accesses to normal space and DRAM space/continuous synchronous DRAM space.

**Table 6.11 Idle Cycles in Mixed Accesses to Normal Space and DRAM Continuous Synchronous DRAM Space**

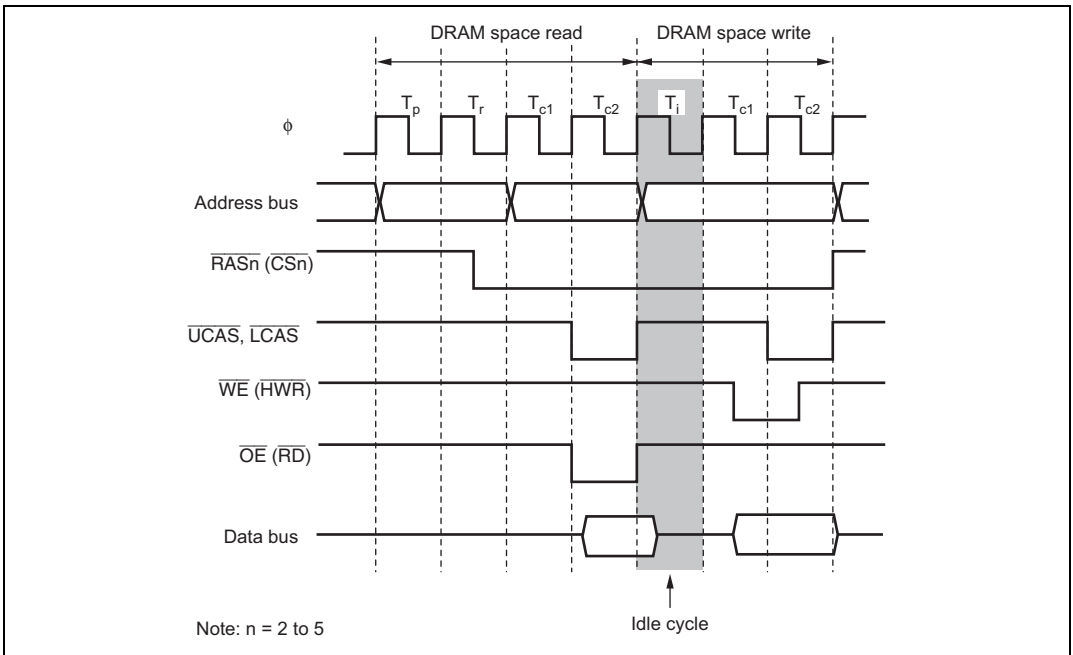
| Previous Access                                     | Next Access   | ICIS2 | ICIS1 | ICIS0 | DRMI | IDLC              | Idle cycle        |
|---|---|-------|-------|-------|------|-------------------|-------------------|
| Normal space read                                   | Normal space read<br>(different area)               | —     | 0     | —     | —    | —                 | Disabled          |
|   |   | —     | 1     | —     | —    | 0                 | 1 state inserted  |
|   |   |       |       |       |      | 1                 | 2 states inserted |
|   | DRAM*/continuous<br>synchronous DRAM<br>space read  | —     | 0     | —     | —    | —                 | Disabled          |
|   |   | —     | 1     | —     | —    | 0                 | 1 state inserted  |
|   |   |       |       |       |      | 1                 | 2 states inserted |
|   | Normal space write                                  | —     | —     | 0     | —    | —                 | Disabled          |
|   |   | —     | —     | 1     | —    | 0                 | 1 state inserted  |
|   |   |       |       |       |      | 1                 | 2 states inserted |
|   | DRAM*/continuous<br>synchronous DRAM<br>space write | —     | —     | 0     | —    | —                 | Disabled          |
|   |   | —     | —     | 1     | —    | 0                 | 1 state inserted  |
|   |   |       |       |       |      | 1                 | 2 states inserted |
| DRAM/continuous<br>synchronous DRAM*<br>space read  | Normal space read                                   | —     | 0     | —     | —    | —                 | Disabled          |
|   |   | —     | 1     | —     | 0    | —                 | Disabled          |
|   |   |       |       |       |      | 1                 | 0                 |
|   |   |       |       |       |      | 1                 | 2 states inserted |
|   | DRAM*/continuous<br>synchronous DRAM<br>space read  | —     | 0     | —     | —    | —                 | Disabled          |
|   |   | —     | 1     | —     | 0    | —                 | Disabled          |
|   |   |       |       |       |      | 1                 | 0                 |
|   |   |       |       |       |      | 1                 | 2 states inserted |
|   | Normal space write                                  | —     | —     | 0     | —    | —                 | Disabled          |
|   |   | —     | —     | 1     | 0    | —                 | Disabled          |
|   |   |       |       |       |      | 1                 | 0                 |
|   |   |       |       |       |      | 1                 | 2 states inserted |
| DRAM*/continuous<br>synchronous DRAM<br>space write | —   | —     | 0     | —     | —    | Disabled          |                   |
|   | —   | —     | 1     | 0     | —    | Disabled          |                   |
|   |   |       |       |       | 1    | 0                 | 1 state inserted  |
|   |   |       |       |       | 1    | 2 states inserted |                   |



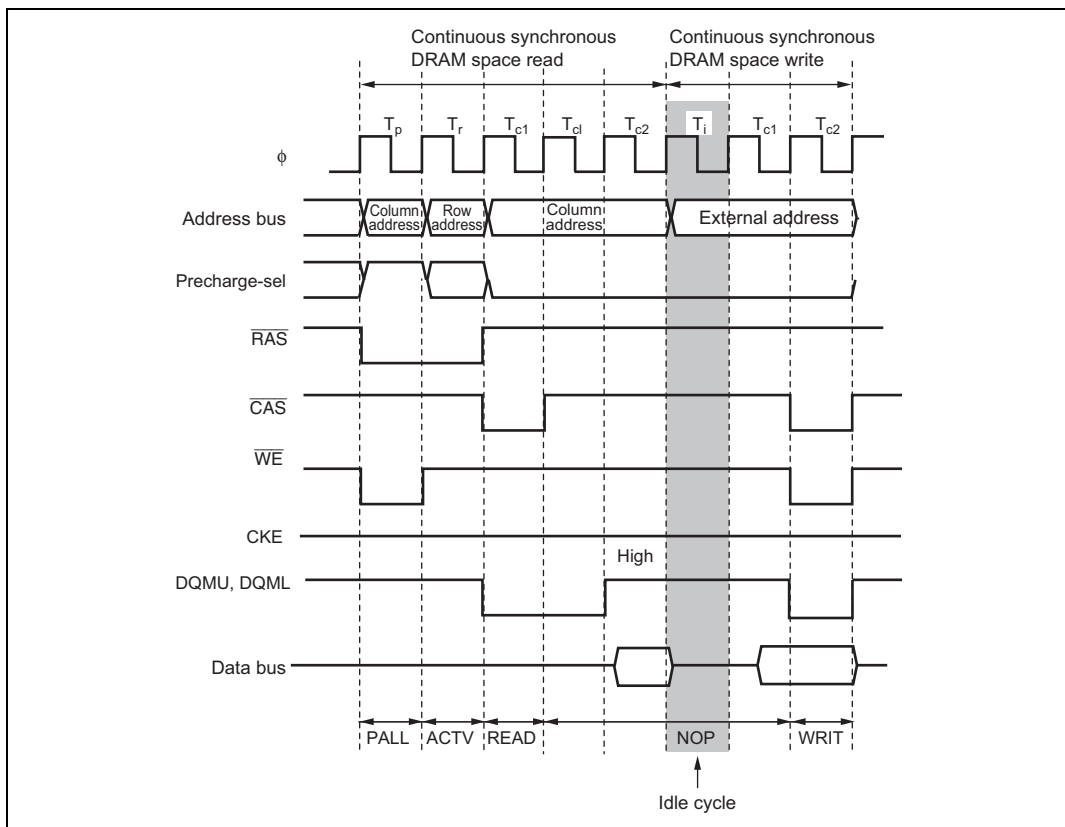
| Previous Access                               | Next Access                                  | ICIS2 | ICIS1 | ICIS0 | DRMI | IDLC | Idle cycle        |
|---|--|-------|-------|-------|------|------|-------------------|
| Normal space write                            | Normal space read                            | 0     | —     | —     | —    | —    | Disabled          |
|   |  | 1     | —     | —     | —    | 0    | 1 state inserted  |
|   |  |       |       |       |      | 1    | 2 states inserted |
|   | DRAM*/continuous synchronous DRAM space read | 0     | —     | —     | —    | —    | Disabled          |
|   |  | 1     | —     | —     | —    | 0    | 1 state inserted  |
|   |  |       |       |       |      | 1    | 2 states inserted |
| DRAM/continuous synchronous DRAM* space write | Normal space read                            | 0     | —     | —     | —    | —    | Disabled          |
|   |  | 1     | —     | —     | —    | 0    | 1 state inserted  |
|   |  |       |       |       |      | 1    | 2 states inserted |
|   | DRAM*/continuous synchronous DRAM space read | 0     | —     | —     | —    | —    | Disabled          |
|   |  | 1     | —     | —     | —    | 0    | 1 state inserted  |
|   |  |       |       |       |      | 1    | 2 states inserted |

Note: \* Not supported by the H8S/2378 Group.

Setting the DRMI bit in DRACCR to 1 enables an idle cycle to be inserted in the case of consecutive read and write operations in DRAM/continuous synchronous DRAM space burst access. Figures 6.81 and 6.82 show an example of the timing for idle cycle insertion in the case of consecutive read and write accesses to DRAM/continuous synchronous DRAM space.



**Figure 6.81 Example of Timing for Idle Cycle Insertion in Case of Consecutive Read and Write Accesses to DRAM Space in RAS Down Mode**



**Figure 6.82 Example of Timing for Idle Cycle Insertion in Case of Consecutive Read and Write Accesses to Continuous Synchronous DRAM Space in RAS Down Mode (SDWCD = 1, CAS Latency 2)**

## 6.9.2 Pin States in Idle Cycle

Table 6.12 shows the pin states in an idle cycle.

**Table 6.12 Pin States in Idle Cycle**

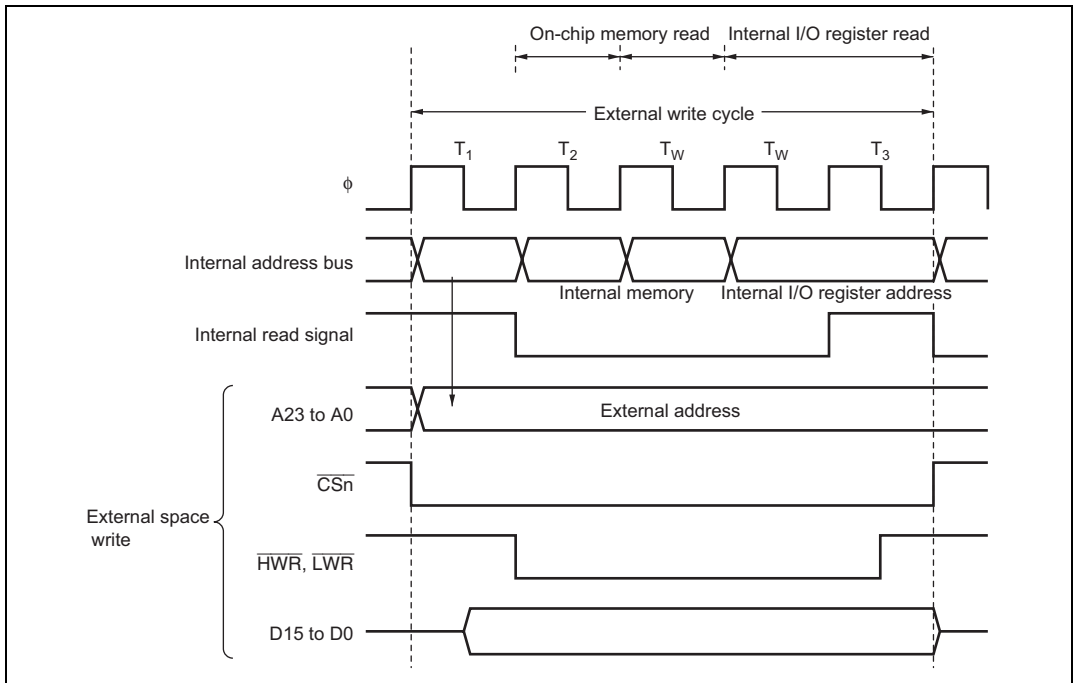
| Pins                          | Pin State                       |
|-------------------------------|---------------------------------|
| A23 to A0                     | Contents of following bus cycle |
| D15 to D0                     | High impedance                  |
| CS <sub>n</sub> (n = 7 to 0)  | High <sup>*1 *2</sup>           |
| UCAS, LCAS                    | High <sup>*2</sup>              |
| AS                            | High                            |
| RD                            | High                            |
| (OE)                          | High                            |
| HWR, LWR                      | High                            |
| DACK <sub>n</sub> (n = 1, 0)  | High                            |
| EDACK <sub>n</sub> (n = 3, 2) | High                            |

Notes: 1. Remains low in DRAM space RAS down mode.  
2. Remains low in a DRAM space refresh cycle.

## 6.10 Write Data Buffer Function

This LSI has a write data buffer function for the external data bus. Using the write data buffer function enables external writes and DMA single address mode transfers to be executed in parallel with internal accesses. The write data buffer function is made available by setting the WDBE bit to 1 in BCR.

Figure 6.83 shows an example of the timing when the write data buffer function is used. When this function is used, if an external address space write or DMA single address mode transfer continues for two states or longer, and there is an internal access next, an external write only is executed in the first state, but from the next state onward an internal access (on-chip memory or internal I/O register read/write) is executed in parallel with the external address space write rather than waiting until it ends.



**Figure 6.83 Example of Timing when Write Data Buffer Function Is Used**

## 6.11 Bus Release

This LSI can release the external bus in response to a bus request from an external device. In the external bus released state, internal bus masters except the EXDMAC\* continue to operate as long as there is no external access. If any of the following requests are issued in the external bus released state, the  $\overline{BREQO}$  signal can be driven low to output a bus request externally.

- When an internal bus master wants to perform an external access
- When a refresh request is generated
- When a SLEEP instruction is executed to place the chip in software standby mode or all-module-clocks-stopped mode

Note: \* Not supported by the H8S/2375, H8S/2375R, H8S/2373, and H8S/2373R.

### 6.11.1 Operation

In externally expanded mode, the bus can be released to an external device by setting the BRLE bit to 1 in BCR. Driving the  $\overline{\text{BREQ}}$  pin low issues an external bus request to this LSI. When the  $\overline{\text{BREQ}}$  pin is sampled, at the prescribed timing the  $\overline{\text{BACK}}$  pin is driven low, and the address bus, data bus, and bus control signals are placed in the high-impedance state, establishing the external bus released state.

In the external bus released state, internal bus masters except the EXDMAC can perform accesses using the internal bus. When an internal bus master wants to make an external access, it temporarily defers initiation of the bus cycle, and waits for the bus request from the external bus master to be canceled. If a refresh request is generated in the external bus released state, or if a SLEEP instruction is executed to place the chip in software standby mode or all-module-clocks-stopped mode, refresh control and software standby or all-module-clocks-stopped control is deferred until the bus request from the external bus master is canceled.

If the BREQOE bit is set to 1 in BCR, the  $\overline{\text{BREQO}}$  pin can be driven low when any of the following requests are issued, to request cancellation of the bus request externally.

- When an internal bus master wants to perform an external access
- When a refresh request is generated
- When a SLEEP instruction is executed to place the chip in software standby mode or all-module-clocks-stopped mode

When the  $\overline{\text{BREQ}}$  pin is driven high, the  $\overline{\text{BACK}}$  pin is driven high at the prescribed timing and the external bus released state is terminated.

If an external bus release request and external access occur simultaneously, the order of priority is as follows:

(High) External bus release > External access by internal bus master (Low)

If a refresh request and external bus release request occur simultaneously, the order of priority is as follows:

(High) Refresh > External bus release (Low)

### 6.11.2 Pin States in External Bus Released State

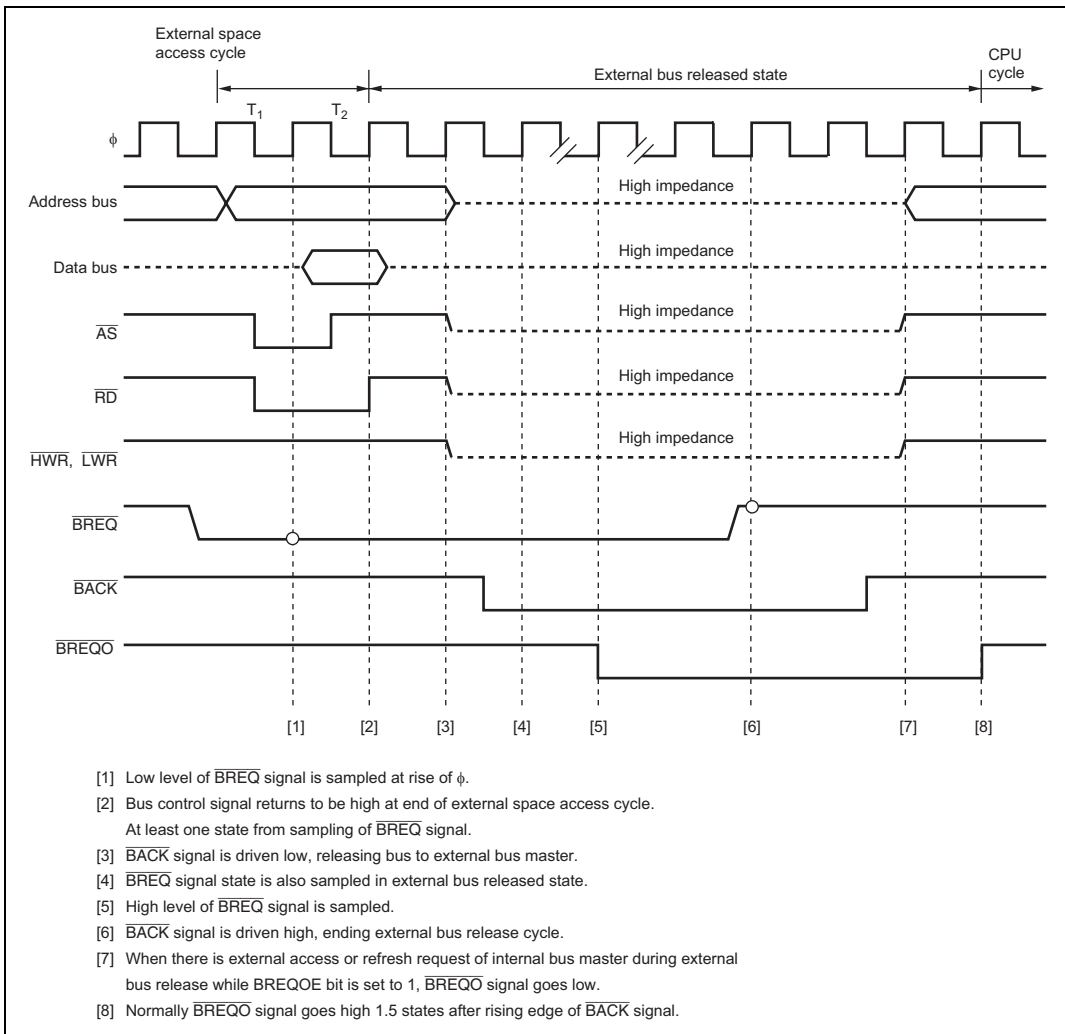
Table 6.13 shows pin states in the external bus released state.

**Table 6.13 Pin States in Bus Released State**

| <b>Pins</b>                     | <b>Pin State</b> |
|---------------------------------|------------------|
| A23 to A0                       | High impedance   |
| D15 to D0                       | High impedance   |
| CS <sub>n</sub> (n = 7 to 0)    | High impedance   |
| UCAS, LCAS                      | High impedance   |
| AS                              | High impedance   |
| RD                              | High impedance   |
| (OE)                            | High impedance   |
| HWR, LWR                        | High impedance   |
| DACK <sub>n</sub> (n = 1, 0)    | High             |
| EDACK <sub>n</sub> (n = 3 to 0) | High             |

### 6.11.3 Transition Timing

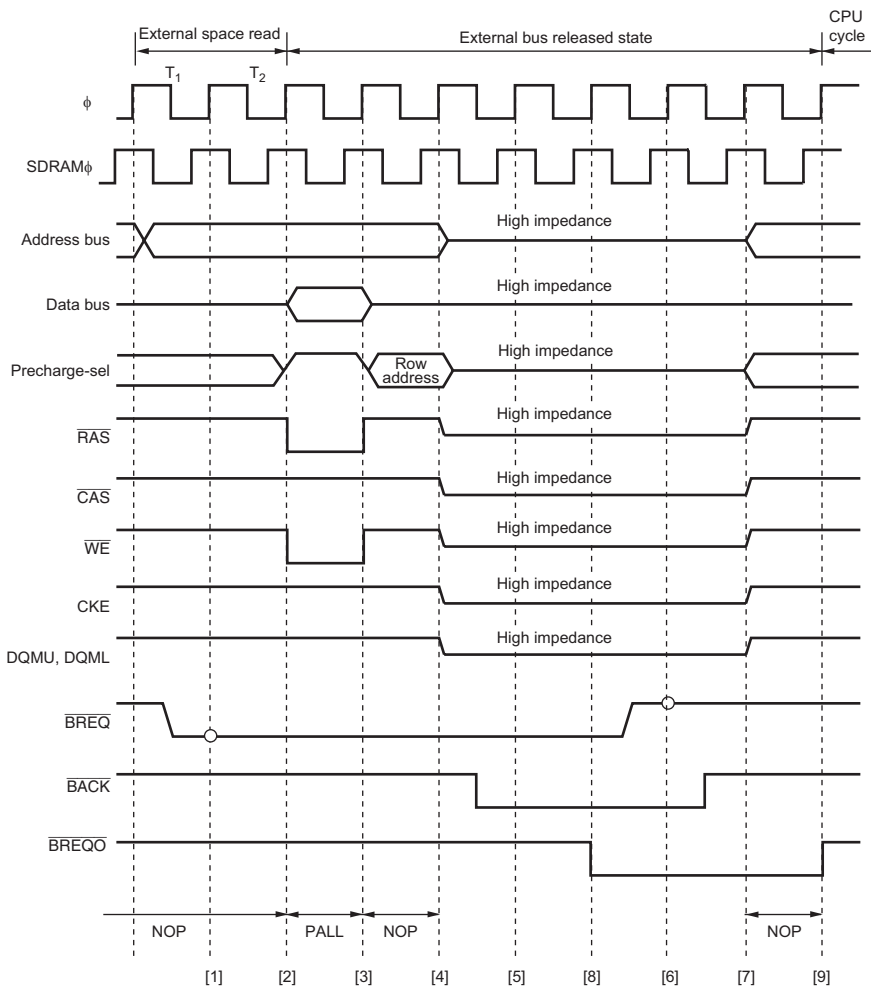
Figure 6.84 shows the timing for transition to the bus released state.



**Figure 6.84 Bus Released State Transition Timing**

Figure 6.85 shows the timing for transition to the bus released state with the synchronous DRAM interface.





- [1] Low level of  $\overline{\text{BREQ}}$  signal is sampled at rise of  $\phi$ .  
 [2] PALL command is issued.  
 [3] Bus control signal returns to be high at end of external space access cycle.  
 At least one state from sampling of  $\overline{\text{BREQ}}$  signal.  
 [4]  $\overline{\text{BACK}}$  signal is driven low, releasing bus to external bus master..  
 [5]  $\overline{\text{BREQ}}$  signal state is also sampled in external bus released state.  
 [6] High level of  $\overline{\text{BREQ}}$  signal is sampled.  
 [7]  $\overline{\text{BACK}}$  signal is driven high, ending external bus release cycle.  
 [8] When there is external access or refresh request of internal bus master during external bus release while the  $\overline{\text{BREQOE}}$  bit is set to 1,  $\overline{\text{BREQO}}$  signal goes low.  
 [9]  $\overline{\text{BREQO}}$  signal goes high 1.5 states after rising edge of  $\overline{\text{BACK}}$  signal. If  $\overline{\text{BREQO}}$  signal is asserted because of auto-refreshing request, it retains low until auto-refresh cycle starts up.

Note: In the H8S/2373 Group, the synchronous DRAM interface is not supported.

**Figure 6.85 Bus Release State Transition Timing when Synchronous DRAM Interface**

## 6.12 Bus Arbitration

This LSI has a bus arbiter that arbitrates bus mastership operations (bus arbitration).

There are four bus masters—the CPU, DTC, DMAC, and EXDMAC\*—that perform read/write operations when they have possession of the bus. Each bus master requests the bus by means of a bus request signal. The bus arbiter determines priorities at the prescribed timing, and permits use of the bus by means of a bus request acknowledge signal. The selected bus master then takes possession of the bus and begins its operation.

Note: \* The EXDMAC is not supported by the H8S/2375, H8S/2375R, H8S/2373, and H8S/2373R.

### 6.12.1 Operation

The bus arbiter detects the bus masters' bus request signals, and if the bus is requested, sends a bus request acknowledge signal to the bus master. If there are bus requests from more than one bus master, the bus request acknowledge signal is sent to the one with the highest priority. When a bus master receives the bus request acknowledge signal, it takes possession of the bus until that signal is canceled.

The order of priority of the bus mastership is as follows:

(High) EXDMAC\* > DMAC > DTC > CPU (Low)

An internal bus access by internal bus masters except the EXDMAC\* and external bus release, a refresh when the CBRM bit is 0, and an external bus access by the EXDMAC\* can be executed in parallel.

If an external bus release request, a refresh request, and an external access by an internal bus master occur simultaneously, the order of priority is as follows:

(High) Refresh > EXDMAC\* > External bus release (Low)

(High) External bus release > External access by internal bus master except EXDMAC\* (Low)

As a refresh when the CBRM bit in REFCR is cleared to 0 and an external access other than to DRAM space by an internal bus master can be executed simultaneously, there is no relative order of priority for these two operations.

Note: \* The EXDMAC is not supported by the H8S/2375, H8S/2375R, H8S/2373, and H8S/2373R.

### 6.12.2 Bus Transfer Timing

Even if a bus request is received from a bus master with a higher priority than that of the bus master that has acquired the bus and is currently operating, the bus is not necessarily transferred immediately. There are specific timings at which each bus master can relinquish the bus.

**CPU:** The CPU is the lowest-priority bus master, and if a bus request is received from the DTC, DMAC, or EXDMAC\*, the bus arbiter transfers the bus to the bus master that issued the request. The timing for transfer of the bus is as follows:

- The bus is transferred at a break between bus cycles. However, if a bus cycle is executed in discrete operations, as in the case of a longword-size access, the bus is not transferred between the component operations.
- With bit manipulation instructions such as BSET and BCLR, the sequence of operations is: data read (read), relevant bit manipulation operation (modify), write-back (write). The bus is not transferred during this read-modify-write cycle, which is executed as a series of bus cycles.
- If the CPU is in sleep mode, the bus is transferred immediately.

Note: \* Not supported by the H8S/2375, H8S/2375R, H8S/2373, and H8S/2373R.

**DTC:** The DTC sends the bus arbiter a request for the bus when an activation request is generated.

The DTC can release the bus after a vector read, a register information read (3 states), a single data transfer, or a register information write (3 states). It does not release the bus during a register information read (3 states), a single data transfer, or a register information write (3 states).

**DMAC:** The DMAC sends the bus arbiter a request for the bus when an activation request is generated.

In the case of an external request in short address mode or normal mode, and in cycle steal mode, the DMAC releases the bus after a single transfer.

In block transfer mode, it releases the bus after transfer of one block, and in burst mode, after completion of the transfer. However, in the event of an EXDMAC or external bus release request, which have a higher priority than the DMAC, the bus may be transferred to the bus master even if block or burst transfer is in progress.

**EXDMAC:** The EXDMAC sends the bus arbiter a request for the bus when an activation request is generated.

As the EXDMAC is used exclusively for transfers to and from the external bus, if the bus is transferred to the EXDMAC, internal accesses by other internal bus masters are still executed in parallel.

In normal transfer mode or cycle steal transfer mode, the EXDMAC releases the bus after a single transfer.

In block transfer mode, it releases the bus after transfer of one block, and in burst transfer mode, after completion of the transfer. By setting the BGUP bit to 1 in EDMDR, it is possible to specify temporary release of the bus in the event of an external access request from an internal bus master. For details see section 8, EXDMA Controller (EXDMAC).

Note: Not supported by the H8S/2375, H8S/2375R, H8S/2373, and H8S/2373R.

**External Bus Release:** When the  $\overline{\text{BREQ}}$  pin goes low and an external bus release request is issued while the BRLE bit is set to 1 in BCR, a bus request is sent to the bus arbiter.

External bus release can be performed on completion of an external bus cycle.

## 6.13 Bus Controller Operation in Reset

In a reset, this LSI, including the bus controller, enters the reset state immediately, and any executing bus cycle is aborted.

## 6.14 Usage Notes

### 6.14.1 External Bus Release Function and All-Module-Clocks-Stopped Mode

In this LSI, if the ACSE bit is set to 1 in MSTPCR, and then a SLEEP instruction is executed with the setting for all peripheral module clocks to be stopped (MSTPCR = H'FFFF, EXMSTPCR = H'FFFF) or for operation of the 8-bit timer module alone (MSTPCR = H'FFFE, EXMSTPCR = H'FFFF), and a transition is made to the sleep state, the all-module-clocks-stopped mode is entered in which the clock is also stopped for the bus controller and I/O ports. In this state, the external bus release function is halted. To use the external bus release function in sleep mode, the ACSE bit in MSTPCR must be cleared to 0. Conversely, if a SLEEP instruction to place the chip in all-module-clocks-stopped mode is executed in the external bus released state, the transition to all-module-clocks-stopped mode is deferred and performed until after the bus is recovered.

### 6.14.2 External Bus Release Function and Software Standby

In this LSI, internal bus master operation does not stop even while the bus is released, as long as the program is running in on-chip ROM, etc., and no external access occurs. If a SLEEP instruction to place the chip in software standby mode is executed while the external bus is released, the transition to software standby mode is deferred and performed after the bus is recovered.

Also, since clock oscillation halts in software standby mode, if  $\overline{\text{BREQ}}$  goes low in this mode, indicating an external bus release request, the request cannot be answered until the chip has recovered from the software standby state.

### 6.14.3 External Bus Release Function and CBR Refreshing/Auto Refreshing

CBR refreshing/auto refreshing cannot be executed while the external bus is released. Setting the BREQOE bit to 1 in BCR beforehand enables the  $\overline{\text{BREQO}}$  signal to be output when a CBR refresh/auto refresh request is issued.

Note: The auto refresh control is not supported by the H8S/2378 Group.

#### 6.14.4 $\overline{\text{BREQO}}$ Output Timing

When the BREQOE bit is set to 1 and the  $\overline{\text{BREQO}}$  signal is output,  $\overline{\text{BREQO}}$  may go low before the  $\overline{\text{BACK}}$  signal.

This will occur if the next external access request or CBR refresh request occurs while internal bus arbitration is in progress after the chip samples a low level of  $\overline{\text{BREQO}}$ .

#### 6.14.5 Notes on Usage of the Synchronous DRAM

**Setting of Synchronous DRAM Interface:** The DCTL pin must be fixed to 1 to enable the synchronous DRAM interface. Do not change the DCTL pin during operation.

**Connection Clock:** Be sure to set the clock to be connected to the synchronous DRAM to SDRAM $\phi$ .

**$\overline{\text{WAIT}}$  Pin:** In the continuous synchronous DRAM space, insertion of the wait state by the  $\overline{\text{WAIT}}$  pin is disabled regardless of the setting of the WAITE bit in BCR.

**Bank Control:** This LSI cannot carry out the bank control of the synchronous DRAM. All banks are selected.

**Burst Access:** The burst read/burst write mode of the synchronous DRAM is not supported. When setting the mode register of the synchronous DRAM, set to the burst read/single write and set the burst length to 1.

**CAS Latency:** When connecting a synchronous DRAM having CAS latency of 1, set the BE bit to 0 in the DRAMCR.

Note: The synchronous DRAM interface is not supported by the H8S/2378 Group.

## Section 7 DMA Controller (DMAC)

This LSI has a built-in DMA controller (DMAC) which can carry out data transfer on up to 4 channels.

### 7.1 Features

- Selectable as short address mode or full address mode

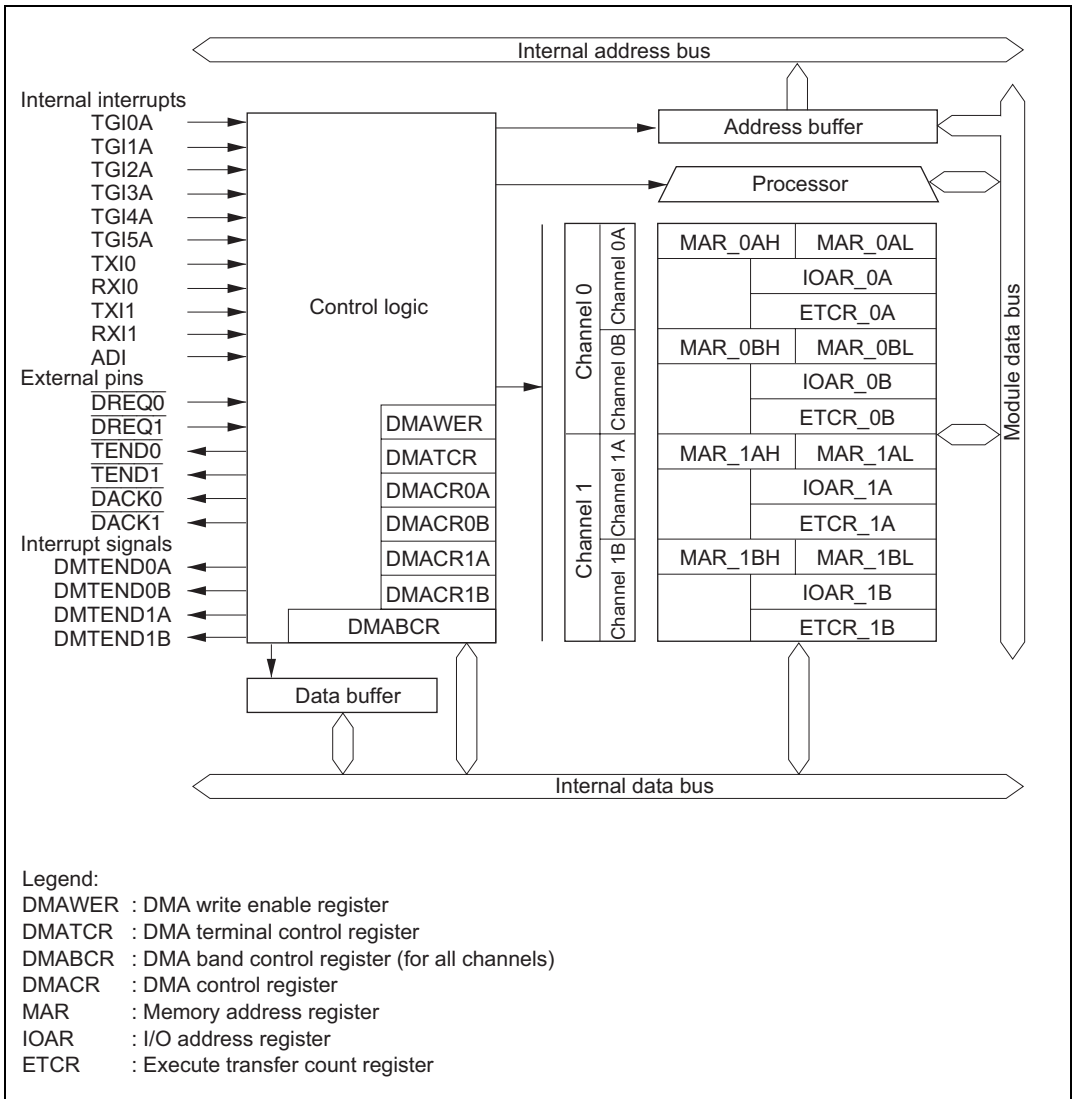
#### Short address mode

- Maximum of 4 channels can be used
- Dual address mode or single address mode can be selected
- In dual address mode, one of the two addresses, transfer source and transfer destination, is specified as 24 bits and the other as 16 bits
- In single address mode, transfer source or transfer destination address only is specified as 24 bits
- In single address mode, transfer can be performed in one bus cycle
- Choice of sequential mode, idle mode, or repeat mode for dual address mode and single address mode

#### Full address mode

- Maximum of 2 channels can be used
- Transfer source and transfer destination addresses as specified as 24 bits
- Choice of normal mode or block transfer mode
- 16-Mbyte address space can be specified directly
- Byte or word can be set as the transfer unit
- Activation sources: internal interrupt, external request, auto-request (depending on transfer mode)
  - Six 16-bit timer-pulse unit (TPU) compare match/input capture interrupts
  - Serial communication interface (SCI\_0, SCI\_1) transmission complete interrupt, reception complete interrupt
  - A/D converter conversion end interrupt
  - External request
  - Auto-request
- Module stop mode can be set

A block diagram of the DMAC is shown in figure 7.1.



**Figure 7.1 Block Diagram of DMAC**



## 7.2 Input/Output Pins

Table 7.1 shows the pin configuration of the interrupt controller.

**Table 7.1 Pin Configuration**

| Channel | Pin Name                   | Symbol                    | I/O    | Function                                      |
|---------|----------------------------|---------------------------|--------|---|
| 0       | DMA request 0              | $\overline{\text{DREQ0}}$ | Input  | Channel 0 external request                    |
|         | DMA transfer acknowledge 0 | $\overline{\text{DACK0}}$ | Output | Channel 0 single address transfer acknowledge |
|         | DMA transfer end 0         | $\overline{\text{TEND0}}$ | Output | Channel 0 transfer end                        |
| 1       | DMA request 1              | $\overline{\text{DREQ1}}$ | Input  | Channel 1 external request                    |
|         | DMA transfer acknowledge 1 | $\overline{\text{DACK1}}$ | Output | Channel 1 single address transfer acknowledge |
|         | DMA transfer end 1         | $\overline{\text{TEND1}}$ | Output | Channel 1 transfer end                        |

## 7.3 Register Descriptions

- Memory address register\_0AH (MAR\_0AH)
- Memory address register\_0AL (MAR\_0AL)
- I/O address register\_0A (IOAR\_0A)
- Transfer count register\_0A (ECTR\_0A)
- Memory address register\_0BH (MAR\_0BH)
- Memory address register\_0BL (MAR\_0BL)
- I/O address register\_0B (IOAR\_0B)
- Transfer count register\_0B (ECTR\_0B)
- Memory address register\_1AH (MAR\_1AH)
- Memory address register\_1AL (MAR\_1AL)
- I/O address register\_1A (IOAR\_1A)
- Transfer count register\_1A (ETCR\_1B)
- Memory address register\_1BH (MAR\_1BH)
- Memory address register\_1BL (MAR\_1BL)
- I/O address register\_1B (IOAR\_1B)
- Transfer count register\_1B (ETCR\_1B)
- DMA control register\_0A (DMACR\_0A)
- DMA control register\_0B (DMACR\_0B)

- DMA control register\_1A (DMACR\_1A)
- DMA control register\_1B (DMACR\_1B)
- DMA band control register H (DMABCRH)
- DMA band control register L (DMABCRL)
- DMA write enable register (DMAWER)
- DMA terminal control register (DMATCR)

The functions of MAR, IOAR, ETCR, DMACR, and DMABCR differ according to the transfer mode (short address mode or full address mode). The transfer mode can be selected by means of the FAE1 and FAE0 bits in DMABCRH. The register configurations for short address mode and full address mode of channel 0 are shown in table 7.2.

**Table 7.2 Short Address Mode and Full Address Mode (Channel 0)**

| FAE0       | Description  |
|------------|--|
| 0          | Short address mode specified (channels 0A and 0B operate independently)              |
| Channel 0A | MAR_0AH   MAR_0AL ← Specifies transfer source/transfer destination address           |
|            | IOAR_0A ← Specifies transfer destination/transfer source address                     |
|            | ETCR_0A ← Specifies number of transfers  |
|            | DMACR_0A ← Specifies transfer size, mode, activation source.                         |
| Channel 0B | MAR_0BH   MAR_0BL ← Specifies transfer source/transfer destination address           |
|            | IOAR_0B ← Specifies transfer destination/transfer source address                     |
|            | ETCR_0B ← Specifies number of transfers  |
|            | DMACR_0B ← Specifies transfer size, mode, activation source.                         |
| 1          | Full address mode specified (channels 0A and 0B operate in combination as channel 0) |
| Channel 0  | MAR_0AH   MAR_0AL ← Specifies transfer source address                                |
|            | MAR_0BH   MAR_0BL ← Specifies transfer destination address                           |
|            | IOAR_0A ← Not used   |
|            | IOAR_0B ← Not used   |
|            | ETCR_0A ← Specifies number of transfers  |
|            | ETCR_0B ← Specifies number of transfers (used in block transfer mode only)           |
|            | DMACR_0A   DMACR_0B ← Specifies transfer size, mode, activation source, etc.         |

### 7.3.1 Memory Address Registers (MARA and MARB)

MAR is a 32-bit readable/writable register that specifies the source address (transfer source address) or destination address (transfer destination address). MAR consists of two 16-bit registers MARH and MARL. The upper 8 bits of MARH are reserved: they are always read as 0, and cannot be modified.

The DMA has four MAR registers: MAR\_0A in channel 0 (channel 0A), MAR\_0B in channel 0 (channel 0B), MAR\_1A in channel 1 (channel 1A), and MAR\_1B in channel 1 (channel 1B).

MAR is not initialized by a reset or in standby mode.

**Short Address Mode:** In short address mode, MARA and MARB operate independently. Whether MAR functions as the source address register or as the destination address register can be selected by means of the DTDIR bit in DMACR.

MAR is incremented or decremented each time a byte or word transfer is executed, so that the address specified by MAR is constantly updated.

**Full Address Mode:** In full address mode, MARA functions as the source address register, and MARB as the destination address register.

MAR is incremented or decremented each time a byte or word transfer is executed, so that the source or destination address is constantly updated.

### 7.3.2 I/O Address Registers (IOARA and IOARB)

IOAR is a 16-bit readable/writable register that specifies the lower 16 bits of the source address (transfer source address) or destination address (transfer destination address). The upper 8 bits of the transfer address are automatically set to H'FF.

The DMA has four IOAR registers: IOAR\_0A in channel 0 (channel 0A), IOAR\_0B in channel 0 (channel 0B), IOAR\_1A in channel 1 (channel 1A), and IOAR\_1B in channel 1 (channel 1B).

Whether IOAR functions as the source address register or as the destination address register can be selected by means of the DTDIR bit in DMACR.

IOAR is not incremented or decremented each time a data transfer is executed, so the address specified by IOAR is fixed.

IOAR is not initialized by a reset or in standby mode.

IOAR can be used in short address mode but not in full address mode.

### 7.3.3 Execute Transfer Count Registers (ETCRA and ETCRB)

ETCR is a 16-bit readable/writable register that specifies the number of transfers.

The DMA has four ETCR registers: ETCR\_0A in channel 0 (channel 0A), ETCR\_0B in channel 0 (channel 0B), ETCR\_1A in channel 1 (channel 1A), and ETCR\_1B in channel 1 (channel 1B).

ETCR is not initialized by a reset or in standby mode.

**Short Address Mode:** The function of ETCR in sequential mode and idle mode differs from that in repeat mode.

In sequential mode and idle mode, ETCR functions as a 16-bit transfer counter. ETCR is decremented by 1 each time a transfer is performed, and when the count reaches H'00, the DTE bit in DMABCRL is cleared, and transfer ends.

In repeat mode, ETCRL functions as an 8-bit transfer counter and ETCRH functions as a transfer count holding register. ETCRL is decremented by 1 each time a transfer is performed, and when the count reaches H'00, ETCRL is loaded with the value in ETCRH. At this point, MAR is automatically restored to the value it had when the count was started. The DTE bit in DMABCRL is not cleared, and so transfers can be performed repeatedly until the DTE bit is cleared by the user.

**Full Address Mode:** The function of ETCR in normal mode differs from that in block transfer mode.

In normal mode, ETCRA functions as a 16-bit transfer counter. ETCRA is decremented by 1 each time a data transfer is performed, and transfer ends when the count reaches H'0000. ETCRB is not used in normal mode.

In block transfer mode, ETCRAL functions as an 8-bit block size counter and ETCRAH functions as a block size holding register. ETCRAL is decremented by 1 each time a 1-byte or 1-word transfer is performed, and when the count reaches H'00, ETCRAL is loaded with the value in ETCRAH. So by setting the block size in ETCRAH and ETCRAL, it is possible to repeatedly transfer blocks consisting of any desired number of bytes or words.

In block transfer mode, ETCRB functions as a 16-bit block transfer counter. ETCRB is decremented by 1 each time a block is transferred, and transfer ends when the count reaches H'0000.

### 7.3.4 DMA Control Registers (DMACRA and DMACRB)

DMACR controls the operation of each DMAC channel.

The DMA has four DMACR registers: DMACR\_0A in channel 0 (channel 0A), DMACR\_0B in channel 0 (channel 0B), DMACR\_1A in channel 1 (channel 1A), and DMACR\_1B in channel 1 (channel 1B).

In short address mode, channels A and B operate independently, and in full address mode, channels A and B operate together. The bit functions in the DMACR registers differ according to the transfer mode.

#### Short Address Mode:

- DMACR\_0A, DMACR\_0B, DMACR\_1A, and DMARC\_1B

| Bit | Bit Name | Initial Value | R/W | Description  |
|-----|----------|---------------|-----|--|
| 7   | DTSZ     | 0             | R/W | Data Transfer Size<br>Selects the size of data to be transferred at one time.<br>0: Byte-size transfer<br>1: Word-size transfer  |
| 6   | DTID     | 0             | R/W | Data Transfer Increment/Decrement<br>Selects incrementing or decrementing of MAR after every data transfer in sequential mode or repeat mode. In idle mode, MAR is neither incremented nor decremented.<br>0: MAR is incremented after a data transfer (Initial value) <ul style="list-style-type: none"> <li>• When DTSZ = 0, MAR is incremented by 1</li> <li>• When DTSZ = 1, MAR is incremented by 2</li> </ul> 1: MAR is decremented after a data transfer <ul style="list-style-type: none"> <li>• When DTSZ = 0, MAR is decremented by 1</li> <li>• When DTSZ = 1, MAR is decremented by 2</li> </ul> |

| Bit | Bit Name | Initial Value | R/W | Description   |
|-----|----------|---------------|-----|---|
| 5   | RPE      | 0             | R/W | <p>Repeat Enable</p> <p>Used in combination with the DTIE bit in DMABCR to select the mode (sequential, idle, or repeat) in which transfer is to be performed.</p> <ul style="list-style-type: none"> <li>When DTIE = 0 (no transfer end interrupt)           <ul style="list-style-type: none"> <li>0: Transfer in sequential mode</li> <li>1: Transfer in repeat mode</li> </ul> </li> <li>When DTIE = 1 (with transfer end interrupt)           <ul style="list-style-type: none"> <li>0: Transfer in sequential mode</li> <li>1: Transfer in idle mode</li> </ul> </li> </ul>   |
| 4   | DTDIR    | 0             | R/W | <p>Data Transfer Direction</p> <p>Used in combination with the SAE bit in DMABCR to specify the data transfer direction (source or destination). The function of this bit is therefore different in dual address mode and single address mode.</p> <ul style="list-style-type: none"> <li>When SAE = 0           <ul style="list-style-type: none"> <li>0: Transfer with MAR as source address and IOAR as destination address</li> <li>1: Transfer with IOAR as source address and MAR as destination address</li> </ul> </li> <li>When SAE = 1           <ul style="list-style-type: none"> <li>0: Transfer with MAR as source address and <math>\overline{\text{DACK}}</math> pin as write strobe</li> <li>1: Transfer with <math>\overline{\text{DACK}}</math> pin as read strobe and MAR as destination address</li> </ul> </li> </ul> |

| Bit | Bit Name | Initial Value | R/W | Description  |
|-----|----------|---------------|-----|--|
| 3   | DTF3     | 0             | R/W | Data Transfer Factor 3 to 0  |
| 2   | DTF2     | 0             | R/W | These bits select the data transfer factor (activation source). There are some differences in activation sources for channel A and channel B. <ul style="list-style-type: none"> <li>• Channel A</li> <li>0000: Setting prohibited</li> <li>0001: Activated by A/D converter conversion end interrupt</li> <li>0010: Setting prohibited</li> <li>0011: Setting prohibited</li> <li>0100: Activated by SCI channel 0 transmission complete interrupt</li> <li>0101: Activated by SCI channel 0 reception complete interrupt</li> <li>0110: Activated by SCI channel 1 transmission complete interrupt</li> <li>0111: Activated by SCI channel 1 reception complete interrupt</li> <li>1000: Activated by TPU channel 0 compare match/input capture A interrupt</li> <li>1001: Activated by TPU channel 1 compare match/input capture A interrupt</li> <li>1010: Activated by TPU channel 2 compare match/input capture A interrupt</li> <li>1011: Activated by TPU channel 3 compare match/input capture A interrupt</li> <li>1100: Activated by TPU channel 4 compare match/input capture A interrupt</li> <li>1101: Activated by TPU channel 5 compare match/input capture A interrupt</li> <li>1110: Setting prohibited</li> <li>1111: Setting prohibited</li> </ul> |
| 1   | DTF1     | 0             | R/W |  |
| 0   | DTF0     | 0             | R/W |  |

| Bit | Bit Name | Initial Value | R/W | Description  |
|-----|----------|---------------|-----|--|
| 3   | DTF3     | 0             | R/W | • Channel B  |
| 2   | DTF2     | 0             | R/W | 0000: Setting prohibited   |
| 1   | DTF1     | 0             | R/W | 0001: Activated by A/D converter conversion end interrupt  |
| 0   | DTF0     | 0             | R/W | 0010: Activated by $\overline{\text{DREQ}}$ pin falling edge input (detected as a low level in the first transfer after transfer is enabled)   |
|     |          |               |     | 0011: Activated by $\overline{\text{DREQ}}$ pin low-level input  |
|     |          |               |     | 0100: Activated by SCI channel 0 transmission complete interrupt   |
|     |          |               |     | 0101: Activated by SCI channel 0 reception complete interrupt  |
|     |          |               |     | 0110: Activated by SCI channel 1 transmission complete interrupt   |
|     |          |               |     | 0111: Activated by SCI channel 1 reception complete interrupt  |
|     |          |               |     | 1000: Activated by TPU channel 0 compare match/input capture A interrupt   |
|     |          |               |     | 1001: Activated by TPU channel 1 compare match/input capture A interrupt   |
|     |          |               |     | 1010: Activated by TPU channel 2 compare match/input capture A interrupt   |
|     |          |               |     | 1011: Activated by TPU channel 3 compare match/input capture A interrupt   |
|     |          |               |     | 1100: Activated by TPU channel 4 compare match/input capture A interrupt   |
|     |          |               |     | 1101: Activated by TPU channel 5 compare match/input capture A interrupt   |
|     |          |               |     | 1110: Setting prohibited   |
|     |          |               |     | 1111: Setting prohibited   |
|     |          |               |     | The same factor can be selected for more than one channel. In this case, activation starts with the highest-priority channel according to the relative channel priorities. For relative channel priorities, see section 7.5.12, Multi-Channel Operation. |



**Full Address Mode:**

- DMACR\_0A and DMACR\_1A

| Bit | Bit Name | Initial Value | R/W | Description  |
|-----|----------|---------------|-----|--|
| 15  | DTSZ     | 0             | R/W | Data Transfer Size<br>Selects the size of data to be transferred at one time.<br>0: Byte-size transfer<br>1: Word-size transfer  |
| 14  | SAID     | 0             | R/W | Source Address Increment/Decrement   |
| 13  | SAIDE    | 0             | R/W | Source Address Increment/Decrement Enable<br>These bits specify whether source address register MARA is to be incremented, decremented, or left unchanged, when data transfer is performed.<br>00: MARA is fixed<br>01: MARA is incremented after a data transfer <ul style="list-style-type: none"> <li>• When DTSZ = 0, MARA is incremented by 1</li> <li>• When DTSZ = 1, MARA is incremented by 2</li> </ul> 10: MARA is fixed<br>11: MARA is decremented after a data transfer <ul style="list-style-type: none"> <li>• When DTSZ = 0, MARA is decremented by 1</li> <li>• When DTSZ = 1, MARA is decremented by 2</li> </ul> |
| 12  | BLKDIR   | 0             | R/W | Block Direction  |
| 11  | BLKE     | 0             | R/W | Block Enable<br>These bits specify whether normal mode or block transfer mode is to be used for data transfer. If block transfer mode is specified, the BLKDIR bit specifies whether the source side or the destination side is to be the block area.<br>x0: Transfer in normal mode<br>01: Transfer in block transfer mode (destination side is block area)<br>11: Transfer in block transfer mode (source side is block area)  |

| Bit     | Bit Name | Initial Value | R/W | Description   |
|---------|----------|---------------|-----|---|
| 10 to 8 | —        | All 0         | R/W | Reserved<br>These bits can be read from or written to. However, the write value should always be 0. |

Legend:

x: Don't care

- DMACR\_0B and DMACR\_1B

| Bit | Bit Name | Initial Value | R/W | Description  |
|-----|----------|---------------|-----|--|
| 7   | —        | 0             | R/W | Reserved<br>This bit can be read from or written to. However, the write value should always be 0.  |
| 6   | DAID     | 0             | R/W | Destination Address Increment/Decrement  |
| 5   | DAIDE    | 0             | R/W | Destination Address Increment/Decrement Enable<br>These bits specify whether destination address register MARB is to be incremented, decremented, or left unchanged, when data transfer is performed.<br>00: MARB is fixed<br>01: MARB is incremented after a data transfer <ul style="list-style-type: none"> <li>• When DTSZ = 0, MARB is incremented by 1</li> <li>• When DTSZ = 1, MARB is incremented by 2</li> </ul> 10: MARB is fixed<br>11: MARB is decremented after a data transfer <ul style="list-style-type: none"> <li>• When DTSZ = 0, MARB is decremented by 1</li> <li>• When DTSZ = 1, MARB is decremented by 2</li> </ul> |
| 4   | —        | 0             | R/W | Reserved<br>This bit can be read from or written to. However, the write value should always be 0.  |

| Bit | Bit Name | Initial Value | R/W | Description   |
|-----|----------|---------------|-----|---|
| 3   | DTF3     | 0             | R/W | Data Transfer Factor 3 to 0   |
| 2   | DTF2     | 0             | R/W | These bits select the data transfer factor (activation source). The factors that can be specified differ between normal mode and block transfer mode. |
| 1   | DTF1     | 0             | R/W |   |
| 0   | DTF0     | 0             | R/W |   |
|     |          |               |     |   |

| Bit | Bit Name | Initial Value | R/W | Description   |
|-----|----------|---------------|-----|---|
| 3   | DTF3     | 0             | R/W | <ul style="list-style-type: none"> <li>Block Transfer Mode</li> </ul>   |
| 2   | DTF2     | 0             | R/W | 0000: Setting prohibited  |
| 1   | DTF1     | 0             | R/W | 0001: Activated by A/D converter conversion end interrupt   |
| 0   | DTF0     | 0             | R/W | 0010: Activated by $\overline{DREQ}$ pin falling edge input<br>0011: Activated by $\overline{DREQ}$ pin low-level input<br>0100: Activated by SCI channel 0 transmission complete interrupt<br>0101: Activated by SCI channel 0 reception complete interrupt<br>0110: Activated by SCI channel 1 transmission complete interrupt<br>0111: Activated by SCI channel 1 reception complete interrupt<br>1000: Activated by TPU channel 0 compare match/input capture A interrupt<br>1001: Activated by TPU channel 1 compare match/input capture A interrupt<br>1010: Activated by TPU channel 2 compare match/input capture A interrupt<br>1011: Activated by TPU channel 3 compare match/input capture A interrupt<br>1100: Activated by TPU channel 4 compare match/input capture A interrupt<br>1101: Activated by TPU channel 5 compare match/input capture A interrupt<br>1110: Setting prohibited<br>1111: Setting prohibited<br>The same factor can be selected for more than one channel. In this case, activation starts with the highest-priority channel according to the relative channel priorities. For relative channel priorities, see section 7.5.12, Multi-Channel Operation. |

Legend:

×: Don't care

### 7.3.5 DMA Band Control Registers H and L (DMABCRH and DMABCRL)

DMABCR controls the operation of each DMAC channel. The bit functions in the DMACR registers differ according to the transfer mode.

#### Short Address Mode:

- DMABCRH

| Bit | Bit Name | Initial Value | R/W | Description  |
|-----|----------|---------------|-----|--|
| 15  | FAE1     | 0             | R/W | Full Address Enable 1<br><br>Specifies whether channel 1 is to be used in short address mode or full address mode. In short address mode, channels 1A and 1B can be used as independent channels.<br><br>0: Short address mode<br>1: Full address mode |
| 14  | FAE0     | 0             | R/W | Full Address Enable 0<br><br>Specifies whether channel 0 is to be used in short address mode or full address mode. In short address mode, channels 0A and 0B can be used as independent channels.<br><br>0: Short address mode<br>1: Full address mode |
| 13  | SAE1     | 0             | R/W | Single Address Enable 1<br><br>Specifies whether channel 1B is to be used for transfer in dual address mode or single address mode. This bit is invalid in full address mode.<br><br>0: Dual address mode<br>1: Single address mode                    |

| Bit | Bit Name | Initial Value | R/W | Description  |
|-----|----------|---------------|-----|--|
| 12  | SAE0     | 0             | R/W | <p>Single Address Enable 0</p> <p>Specifies whether channel 0B is to be used for transfer in dual address mode or single address mode. This bit is invalid in full address mode.</p> <p>0: Dual address mode<br/>1: Single address mode</p>  |
| 11  | DTA1B    | 0             | R/W | Data Transfer Acknowledge 1B   |
| 10  | DTA1A    | 0             | R/W | Data Transfer Acknowledge 1A   |
| 9   | DTA0B    | 0             | R/W | Data Transfer Acknowledge 0B   |
| 8   | DTA0A    | 0             | R/W | Data Transfer Acknowledge 0A   |
|     |          |               |     | <p>These bits enable or disable clearing when DMA transfer is performed for the internal interrupt source selected by the DTF3 to DTF0 bits in DMACR.</p> <p>If the DTA bit is set to 1 when DTE = 1, the internal interrupt source is cleared automatically by DMA transfer. When DTE = 1 and DTA = 1, the internal interrupt source does not issue an interrupt request to the CPU or DTC.</p> <p>If the DTA bit is cleared to 0 when DTE = 1, the internal interrupt source is not cleared when a transfer is performed, and can issue an interrupt request to the CPU or DTC in parallel. In this case, the interrupt source should be cleared by the CPU or DTC transfer.</p> <p>When DTE = 0, the internal interrupt source issues an interrupt request to the CPU or DTC regardless of the DTA bit setting.</p> |

- DMABCRL

| Bit | Bit Name | Initial Value | R/W | Description             |
|-----|----------|---------------|-----|-------------------------|
| 7   | DTE1B    | 0             | R/W | Data Transfer Enable 1B |
| 6   | DTE1A    | 0             | R/W | Data Transfer Enable 1A |
| 5   | DTE0B    | 0             | R/W | Data Transfer Enable 0B |
| 4   | DTE0A    | 0             | R/W | Data Transfer Enable 0A |

If the DTE bit is cleared to 0 when DTIE = 1, the DMAC regards this as indicating the end of a transfer, and issues a transfer end interrupt request to the CPU or DTC.

When DTE = 0, data transfer is disabled and the DMAC ignores the activation source selected by the DTF3 to DTF0 bits in DMACR.

When DTE = 1, data transfer is enabled and the DMAC waits for a request by the activation source selected by the DTF3 to DTF0 bits in DMACR. When a request is issued by the activation source, DMA transfer is executed.

[Clearing conditions]

- When initialization is performed
- When the specified number of transfers have been completed in a transfer mode other than repeat mode
- When 0 is written to the DTE bit to forcibly suspend the transfer, or for a similar reason

[Setting condition]

When 1 is written to the DTE bit after reading DTE = 0

| Bit | Bit Name | Initial Value | R/W | Description                           |
|-----|----------|---------------|-----|---------------------------------------|
| 3   | DTIE1B   | 0             | R/W | Data Transfer End Interrupt Enable 1B |
| 2   | DTIE1A   | 0             | R/W | Data Transfer End Interrupt Enable 1A |
| 1   | DTIE0B   | 0             | R/W | Data Transfer End Interrupt Enable 0B |
| 0   | DTIE0A   | 0             | R/W | Data Transfer End Interrupt Enable 0A |

These bits enable or disable an interrupt to the CPU or DTC when transfer ends. If the DTIE bit is set to 1 when DTE = 0, the DMAC regards this as indicating the end of a transfer, and issues a transfer end interrupt request to the CPU or DTC.

A transfer end interrupt can be canceled either by clearing the DTIE bit to 0 in the interrupt handling routine, or by performing processing to continue transfer by setting the transfer counter and address register again, and then setting the DTE bit to 1.

### Full Address Mode:

- DMABCRH

| Bit | Bit Name | Initial Value | R/W | Description   |
|-----|----------|---------------|-----|---|
| 15  | FAE1     | 0             | R/W | Full Address Enable 1<br>Specifies whether channel 1 is to be used in short address mode or full address mode.<br>In full address mode, channels 1A and 1B are used together as channel 1.<br>0: Short address mode<br>1: Full address mode |
| 14  | FAE0     | 0             | R/W | Full Address Enable 0<br>Specifies whether channel 0 is to be used in short address mode or full address mode.<br>In full address mode, channels 0A and 0B are used together as channel 0.<br>0: Short address mode<br>1: Full address mode |



| Bit    | Bit Name | Initial Value | R/W | Description   |
|--------|----------|---------------|-----|---|
| 13, 12 | —        | All 0         | R/W | Reserved<br>These bits can be read from or written to. However, the write value should always be 0.   |
| 11     | DTA1     | 0             | R/W | Data Transfer Acknowledge 1<br>These bits enable or disable clearing when DMA transfer is performed for the internal interrupt source selected by the DTF3 to DTF0 bits in DMACR of channel 1.<br>It the DTA1 bit is set to 1 when DTE1 = 1, the internal interrupt source is cleared automatically by DMA transfer. When DTE1 = 1 and DTA1 = 1, the internal interrupt source does not issue an interrupt request to the CPU or DTC.<br>It the DTA1 bit is cleared to 0 when DTE1 = 1, the internal interrupt source is not cleared when a transfer is performed, and can issue an interrupt request to the CPU or DTC in parallel. In this case, the interrupt source should be cleared by the CPU or DTC transfer.<br>When DTE1 = 0, the internal interrupt source issues an interrupt request to the CPU or DTC regardless of the DTA1 bit setting.<br>The state of the DTME1 bit does not affect the above operations. |
| 10     | —        | 0             | R/W | Reserved<br>This bit can be read from or written to. However, the write value should always be 0.   |

| Bit | Bit Name | Initial Value | R/W | Description  |
|-----|----------|---------------|-----|--|
| 9   | DTA0     | 0             | R/W | <p>Data Transfer Acknowledge 0</p> <p>These bits enable or disable clearing when DMA transfer is performed for the internal interrupt source selected by the DTF3 to DTF0 bits in DMACR of channel 0.</p> <p>If the DTA0 bit is set to 1 when DTE0 = 1, the internal interrupt source is cleared automatically by DMA transfer. When DTE0 = 1 and DTA0 = 1, the internal interrupt source does not issue an interrupt request to the CPU or DTC.</p> <p>If the DTA0 bit is cleared to 0 when DTE0 = 1, the internal interrupt source is not cleared when a transfer is performed, and can issue an interrupt request to the CPU or DTC in parallel. In this case, the interrupt source should be cleared by the CPU or DTC transfer.</p> <p>When DTE0 = 0, the internal interrupt source issues an interrupt request to the CPU or DTC regardless of the DTA0 bit setting.</p> <p>The state of the DTME0 bit does not affect the above operations.</p> |
| 8   | —        | 0             | R/W | <p>Reserved</p> <p>This bit can be read from or written to. However, the write value should always be 0.</p>   |

- DMABCRL

| Bit | Bit Name | Initial Value | R/W | Description   |
|-----|----------|---------------|-----|---|
| 7   | DTME1    | 0             | R/W | <p>Data Transfer Master Enable 1</p> <p>Together with the DTE1 bit, this bit controls enabling or disabling of data transfer on channel 1. When both the DTME1 bit and DTE1 bit are set to 1, transfer is enabled for channel 1.</p> <p>If channel 1 is in the middle of a burst mode transfer when an NMI interrupt is generated, the DTME1 bit is cleared, the transfer is interrupted, and bus mastership passes to the CPU. When the DTME1 bit is subsequently set to 1 again, the interrupted transfer is resumed. In block transfer mode, however, the DTME1 bit is not cleared by an NMI interrupt, and transfer is not interrupted.</p> <p>[Clearing conditions]</p> <ul style="list-style-type: none"> <li>When initialization is performed</li> <li>When NMI is input in burst mode</li> <li>When 0 is written to the DTME1 bit</li> </ul> <p>[Setting condition]</p> <p>When 1 is written to DTME1 after reading DTME1 = 0</p> |

---

| Bit | Bit Name | Initial Value | R/W | Description   |
|-----|----------|---------------|-----|---|
| 6   | DTE1     | 0             | R/W | <p>Data Transfer Enable 1</p> <p>Enables or disables DMA transfer for the activation source selected by the DTF3 to DTF0 bits in DMACR of channel 1.</p> <p>When DTE1 = 0, data transfer is disabled and the activation source is ignored. If the activation source is an internal interrupt, an interrupt request is issued to the CPU or DTC. If the DTE1 bit is cleared to 0 when DTIE1 = 1, the DMAC regards this as indicating the end of a transfer, and issues a transfer end interrupt request to the CPU.</p> <p>When DTE1 = 1 and DTME1 = 1, data transfer is enabled and the DMAC waits for a request by the activation source. When a request is issued by the activation source, DMA transfer is executed.</p> <p>[Clearing conditions]</p> <ul style="list-style-type: none"><li>• When initialization is performed</li><li>• When the specified number of transfers have been completed</li><li>• When 0 is written to the DTE1 bit to forcibly suspend the transfer, or for a similar reason</li></ul> <p>[Setting condition]</p> <p>When 1 is written to the DTE1 bit after reading DTE1 = 0</p> |

---

| Bit | Bit Name | Initial Value | R/W | Description   |
|-----|----------|---------------|-----|---|
| 5   | DTME0    | 0             | R/W | <p>Data Transfer Master Enable 0</p> <p>Together with the DTE0 bit, this bit controls enabling or disabling of data transfer on channel 0. When both the DTME0 bit and DTE0 bit are set to 1, transfer is enabled for channel 0.</p> <p>If channel 0 is in the middle of a burst mode transfer when an NMI interrupt is generated, the DTME0 bit is cleared, the transfer is interrupted, and bus mastership passes to the CPU. When the DTME0 bit is subsequently set to 1 again, the interrupted transfer is resumed. In block transfer mode, however, the DTME0 bit is not cleared by an NMI interrupt, and transfer is not interrupted.</p> <p>[Clearing conditions]</p> <ul style="list-style-type: none"><li>• When initialization is performed</li><li>• When NMI is input in burst mode</li><li>• When 0 is written to the DTME0 bit</li></ul> <p>[Setting condition]</p> <p>When 1 is written to DTME0 after reading DTME0 = 0</p> |

| Bit | Bit Name | Initial Value | R/W | Description   |
|-----|----------|---------------|-----|---|
| 4   | DTE0     | 0             | R/W | <p>Data Transfer Enable 0</p> <p>Enables or disables DMA transfer for the activation source selected by the DTF3 to DTF0 bits in DMACR of channel 0.</p> <p>When DTE0 = 0, data transfer is disabled and the activation source is ignored. If the activation source is an internal interrupt, an interrupt request is issued to the CPU or DTC. If the DTE0 bit is cleared to 0 when DTIE0 = 1, the DMAC regards this as indicating the end of a transfer, and issues a transfer end interrupt request to the CPU.</p> <p>When DTE0 = 1 and DTME0 = 1, data transfer is enabled and the DMAC waits for a request by the activation source. When a request is issued by the activation source, DMA transfer is executed.</p> <p>[Clearing conditions]</p> <ul style="list-style-type: none"> <li>• When initialization is performed</li> <li>• When the specified number of transfers have been completed</li> <li>• When 0 is written to the DTE0 bit to forcibly suspend the transfer, or for a similar reason</li> </ul> <p>[Setting condition]</p> <p>When 1 is written to the DTE0 bit after reading DTE0 = 0</p> |
| 3   | DTIE1B   | 0             | R/W | <p>Data Transfer Interrupt Enable 1B</p> <p>Enables or disables an interrupt to the CPU or DTC when transfer on channel 1 is interrupted. If the DTME1 bit is cleared to 0 when DTIE1B = 1, the DMAC regards this as indicating a break in the transfer, and issues a transfer break interrupt request to the CPU or DTC.</p> <p>A transfer break interrupt can be canceled either by clearing the DTIE1B bit to 0 in the interrupt handling routine, or by performing processing to continue transfer by setting the DTME1 bit to 1.</p>   |

| Bit | Bit Name | Initial Value | R/W | Description  |
|-----|----------|---------------|-----|--|
| 2   | DTIE1A   | 0             | R/W | <p>Data Transfer End Interrupt Enable 1A</p> <p>Enables or disables an interrupt to the CPU or DTC when transfer ends. If the DTE1 bit is cleared to 1 when DTIE1A = 1, the DMAC regards this as indicating the end of a transfer, and issues a transfer end interrupt request to the CPU or DTC.</p> <p>A transfer end interrupt can be canceled either by clearing the DTIE1A bit to 0 in the interrupt handling routine, or by performing processing to continue transfer by setting the transfer counter and address register again, and then setting the DTE1 bit to 1.</p> |
| 1   | DTIE0B   | 0             | R/W | <p>Data Transfer Interrupt Enable 0B</p> <p>Enables or disables an interrupt to the CPU or DTC when transfer on channel 1 is interrupted. If the DTME0 bit is cleared to 0 when DTIE0B = 1, the DMAC regards this as indicating a break in the transfer, and issues a transfer break interrupt request to the CPU or DTC.</p> <p>A transfer break interrupt can be canceled either by clearing the DTIE0B bit to 0 in the interrupt handling routine, or by performing processing to continue transfer by setting the DTME0 bit to 1.</p>  |
| 0   | DTIE0A   | 0             | R/W | <p>Data Transfer End Interrupt Enable 0A</p> <p>Enables or disables an interrupt to the CPU or DTC when transfer ends. If the DTE0 bit is cleared to 0 when DTIE0A = 1, the DMAC regards this as indicating the end of a transfer, and issues a transfer end interrupt request to the CPU or DTC.</p> <p>A transfer end interrupt can be canceled either by clearing the DTIE0A bit to 0 in the interrupt handling routine, or by performing processing to continue transfer by setting the transfer counter and address register again, and then setting the DTE0 bit to 1.</p> |

### 7.3.6 DMA Write Enable Register (DMAWER)

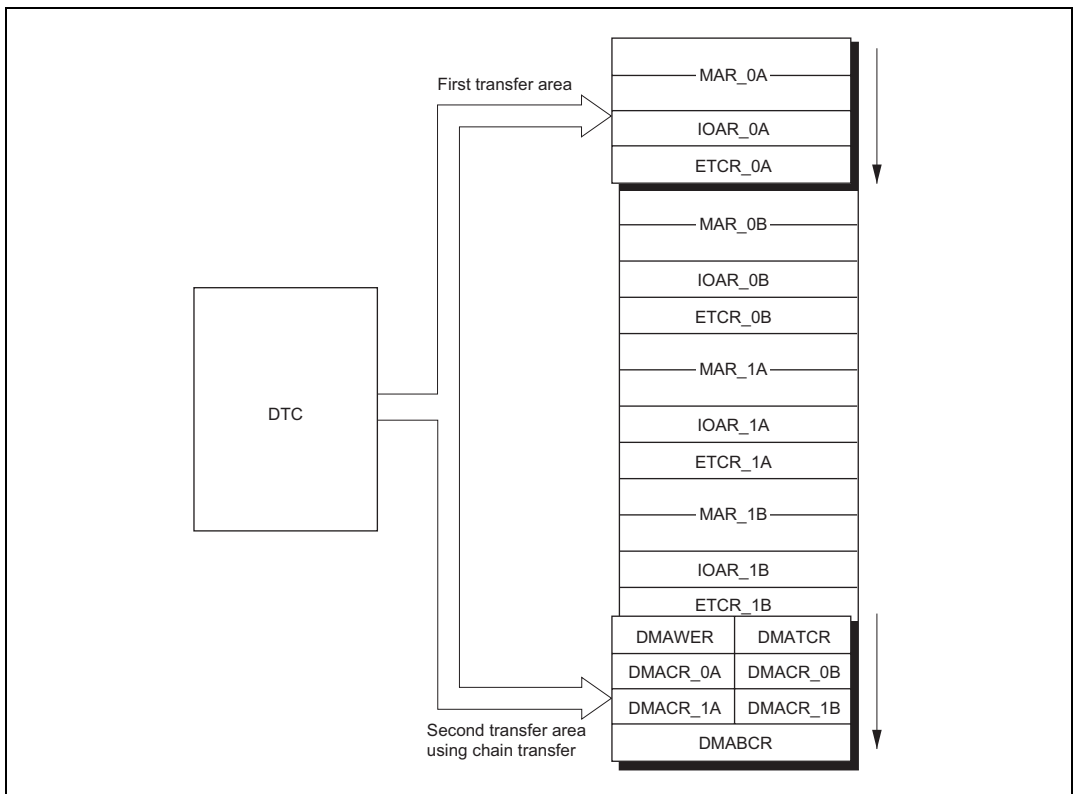
The DMAC can activate the DTC with a transfer end interrupt, rewrite the channel on which the transfer ended using a DTC chain transfer, and then reactivate the DTC. DMAWER applies restrictions for changing all bits of DMACR, and specific bits for DMATCR and DMABCR for the specific channel, to prevent inadvertent rewriting of registers other than those for the channel concerned. The restrictions applied by DMAWER are valid for the DTC.

| Bit          | Bit Name | Initial Value | R/W | Description  |
|--------------|----------|---------------|-----|--|
| 7<br>to<br>4 | —        | All 0         | —   | Reserved<br>These bits are always read as 0 and cannot be modified.  |
| 3            | WE1B     | 0             | R/W | Write Enable 1B<br>Enables or disables writes to all bits in DMACR1B, bits 11, 7, and 3 in DMABCR, and bit 5 in DMATCR.<br>0: Writes are disabled<br>1: Writes are enabled |
| 2            | WE1A     | 0             | R/W | Write Enable 1A<br>Enables or disables writes to all bits in DMACR1A, and bits 10, 6, and 2 in DMABCR.<br>0: Writes are disabled<br>1: Writes are enabled                  |
| 1            | WE0B     | 0             | R/W | Write Enable 0B<br>Enables or disables writes to all bits in DMACR0B, bits 9, 5, and 1 in DMABCR, and bit 4 in DMATCR.<br>0: Writes are disabled<br>1: Writes are enabled  |
| 0            | WE0A     | 0             | R/W | Write Enable 0A<br>Enables or disables writes to all bits in DMACR0A, and bits 8, 4, and 0 in DMABCR.<br>0: Writes are disabled<br>1: Writes are enabled                   |

Figure 7.2 shows the transfer areas for activating the DTC with a channel 0A transfer end interrupt request, and reactivating channel 0A. The address register and count register areas are set again during the first DTC transfer, then the control register area is set again during the second DTC



chain transfer. When re-setting the control register area, perform masking by setting bits in DMAWER to prevent modification of the contents of other channels.



**Figure 7.2 Areas for Register Re-Setting by DTC (Channel 0A)**

Writes by the DTC to bits 15 to 12 (FAE and SAE) in DMABCR are invalid regardless of the DMAWER settings. These bits should be changed, if necessary, by CPU processing.

In writes by the DTC to bits 7 to 4 (DTE) in DMABCR, 1 can be written without first reading 0. To reactivate a channel set to full address mode, write 1 to both Write Enable A and Write Enable B for the channel to be reactivated.

MAR, IOAR, and ETCR can always be written to regardless of the DMAWER settings. When modifying these registers, the channel to be modified should be halted.

### 7.3.7 DMA Terminal Control Register (DMATCR)

DMATCR controls enabling or disabling of output from the DMAC transfer end pin. A port can be set for output automatically, and a transfer end signal output, by setting the appropriate bit. The  $\overline{TEND}$  pin is available only for channel B in short address mode. Except for the block transfer mode, a transfer end signal asserts in the transfer cycle in which the transfer counter contents reaches 0 regardless of the activation source. In the block transfer mode, a transfer end signal asserts in the transfer cycle in which the block counter contents reaches 0.

| Bit          | Bit Name | Initial Value | R/W | Description   |
|--------------|----------|---------------|-----|---|
| 7, 6         | —        | All 0         | —   | Reserved<br>These bits are always read as 0 and cannot be modified.   |
| 5            | TEE1     | 0             | R/W | Transfer End Enable 1<br>Enables or disables transfer end pin 1 ( $\overline{TEND1}$ ) output.<br>0: $\overline{TEND1}$ pin output disabled<br>1: $\overline{TEND1}$ pin output enabled |
| 4            | TEE0     | 0             | R/W | Transfer End Enable 0<br>Enables or disables transfer end pin 0 ( $\overline{TEND0}$ ) output.<br>0: $\overline{TEND0}$ pin output disabled<br>1: $\overline{TEND0}$ pin output enabled |
| 3<br>to<br>0 | —        | All 0         | —   | Reserved<br>These bits are always read as 0 and cannot be modified.   |

## 7.4 Activation Sources

DMAC activation sources consist of internal interrupt requests, external requests, and auto-requests. The DMAC activation sources that can be specified depend on the transfer mode and channel, as shown in table 7.3.

**Table 7.3 DMAC Activation Sources**

| Activation Source   |   | Short Address Mode |                    | Full Address Mode |                     |
|---------------------|---|--------------------|--------------------|-------------------|---------------------|
|                     |   | Channels 0A and 1A | Channels 0B and 1B | Normal Mode       | Block Transfer Mode |
| Internal interrupts | AD1   | ○                  | ○                  | ×                 | ○                   |
|                     | TXI0  | ○                  | ○                  | ×                 | ○                   |
|                     | RXI0  | ○                  | ○                  | ×                 | ○                   |
|                     | TXI1  | ○                  | ○                  | ×                 | ○                   |
|                     | RXI1  | ○                  | ○                  | ×                 | ○                   |
|                     | TGI0A   | ○                  | ○                  | ×                 | ○                   |
|                     | TGI1A   | ○                  | ○                  | ×                 | ○                   |
|                     | TGI2A   | ○                  | ○                  | ×                 | ○                   |
|                     | TGI3A   | ○                  | ○                  | ×                 | ○                   |
|                     | TGI4A   | ○                  | ○                  | ×                 | ○                   |
|                     | TGI5A   | ○                  | ○                  | ×                 | ○                   |
| External requests   | $\overline{\text{DREQ}}$ pin falling edge input | ×                  | ○                  | ○                 | ○                   |
|                     | $\overline{\text{DREQ}}$ pin low-level input    | ×                  | ○                  | ○                 | ○                   |
| Auto-request        |   | ×                  | ×                  | ○                 | ×                   |

Legend:

○: Can be specified

×: Cannot be specified

### 7.4.1 Activation by Internal Interrupt Request

An interrupt request selected as a DMAC activation source can also simultaneously generate an interrupt request for the CPU or DTC. For details, see section 5, Interrupt Controller.

With activation by an internal interrupt request, the DMAC accepts the interrupt request independently of the interrupt controller. Consequently, interrupt controller priority settings are irrelevant.

If the DMAC is activated by a CPU interrupt source or an interrupt request that is not used as a DTC activation source ( $DTA = 1$ ), the interrupt request flag is cleared automatically by the DMA transfer. With ADI, TXI, and RXI interrupts, however, the interrupt source flag is not cleared unless the relevant register is accessed in a DMA transfer. If the same interrupt is used as an activation source for more than one channel, the interrupt request flag is cleared when the highest-priority channel is activated. Transfer requests for other channels are held pending in the DMAC, and activation is carried out in order of priority.

When  $DTE = 0$  after completion of a transfer, an interrupt request from the selected activation source is not sent to the DMAC, regardless of the DTA bit setting. In this case, the relevant interrupt request is sent to the CPU or DTC.

When an interrupt request signal for DMAC activation is also used for an interrupt request to the CPU or DTC activation ( $DTA = 0$ ), the interrupt request flag is not cleared by the DMAC.

## 7.4.2 Activation by External Request

If an external request ( $\overline{\text{DREQ}}$  pin) is specified as a DMAC activation source, the relevant port should be set to input mode in advance\*. Level sensing or edge sensing can be used for external requests.

External request operation in normal mode of short address mode or full address mode is described below.

When edge sensing is selected, a byte or word is transferred each time a high-to-low transition is detected on the  $\overline{\text{DREQ}}$  pin. The next data transfer may not be performed if the next edge is input before data transfer is completed.

When level sensing is selected, the DMAC stands by for a transfer request while the  $\overline{\text{DREQ}}$  pin is held high. While the  $\overline{\text{DREQ}}$  pin is held low, transfers continue in succession, with the bus being released each time a byte or word is transferred. If the  $\overline{\text{DREQ}}$  pin goes high in the middle of a transfer, the transfer is interrupted and the DMAC stands by for a transfer request.

Note: \* If the relevant port is set as an output pin for another function, DMA transfers using the channel in question cannot be guaranteed.

## 7.4.3 Activation by Auto-Request

Auto-request is activated by register setting only, and transfer continues to the end. With auto-request activation, cycle steal mode or burst mode can be selected.

In cycle steal mode, the DMAC releases the bus to another bus master each time a byte or word is transferred. DMA and CPU cycles are usually repeated alternately. In burst mode, the DMAC keeps possession of the bus until the end of the transfer so that transfer is performed continuously.

# 7.5 Operation

## 7.5.1 Transfer Modes

Table 7.4 lists the DMAC transfer modes.

**Table 7.4 DMAC Transfer Modes**

| <b>Transfer Mode</b> | <b>Transfer Source</b>   | <b>Remarks</b>   |
|----------------------|--|--|
| Short address mode   | <ul style="list-style-type: none"> <li>Dual address mode</li> <li>• 1-byte or 1-word transfer for a single transfer request</li> <li>• Specify source and destination addresses to transfer data in two bus cycles.</li> <li>(1) Sequential mode</li> <li>• Memory address incremented or decremented by 1 or 2</li> <li>• Number of transfers: 1 to 65,536</li> <li>(2) Idle mode</li> <li>• Memory address fixed</li> <li>• Number of transfers: 1 to 65,536</li> <li>(3) Repeat mode</li> <li>• Memory address incremented or decremented by 1 or 2</li> <li>• Continues transfer after sending number of transfers (1 to 256) and restoring the initial value</li> </ul> | <ul style="list-style-type: none"> <li>• TPU channel 0 to 5 compare match/input capture A interrupt</li> <li>• SCI transmission complete interrupt</li> <li>• SCI reception complete interrupt</li> <li>• A/D converter conversion end interrupt</li> <li>• External request</li> <li>• Up to 4 channels can operate independently</li> <li>• External request applies to channel B only</li> <li>• Single address mode applies to channel B only</li> </ul> |
| Single address mode  | <ul style="list-style-type: none"> <li>• External request</li> <li>• 1-byte or 1-word transfer for a single transfer request</li> <li>• 1-bus cycle transfer by means of <math>\overline{DACK}</math> pin instead of using address for specifying I/O</li> <li>• Sequential mode, idle mode, or repeat mode can be specified</li> </ul>  | <ul style="list-style-type: none"> <li>• Up to 4 channels can operate independently</li> <li>• External request applies to channel B only</li> <li>• Single address mode applies to channel B only</li> </ul>  |

| Transfer Mode   | Transfer Source  | Remarks  |
|---|--|--|
| Full address mode   | Normal mode<br>(1) Auto-request <ul style="list-style-type: none"> <li>• Transfer request is internally held</li> <li>• Number of transfers (1 to 65,536) is continuously sent</li> <li>• Burst/cycle steal transfer can be selected</li> </ul> (2) External request <ul style="list-style-type: none"> <li>• 1-byte or 1-word transfer for a single transfer request</li> <li>• Number of transfers: 1 to 65,536</li> </ul> | <ul style="list-style-type: none"> <li>• Auto-request</li> <li>• Max. 2-channel operation, combining channels A and B</li> </ul> |
| Block transfer mode <ul style="list-style-type: none"> <li>• Transfer of 1-block, size selected for a single transfer request</li> <li>• Number of transfers: 1 to 65,536</li> <li>• Source or destination can be selected as block area</li> <li>• Block size: 1 to 256 bytes or word</li> </ul> | <ul style="list-style-type: none"> <li>• External request</li> </ul> <hr/> <ul style="list-style-type: none"> <li>• TPU channel 0 to 5 compare match/input capture A interrupt</li> <li>• SCI transmission complete interrupt</li> <li>• SCI reception complete interrupt</li> <li>• A/D converter conversion end interrupt</li> <li>• External request</li> </ul>   |  |

## 7.5.2 Sequential Mode

Sequential mode can be specified by clearing the RPE bit in DMACR to 0. In sequential mode, MAR is updated after each byte or word transfer in response to a single transfer request, and this is executed the number of times specified in ETCR. One address is specified by MAR, and the other by IOAR. The transfer direction can be specified by the DTDIR bit in DMACR.

Table 7.5 summarizes register functions in sequential mode.

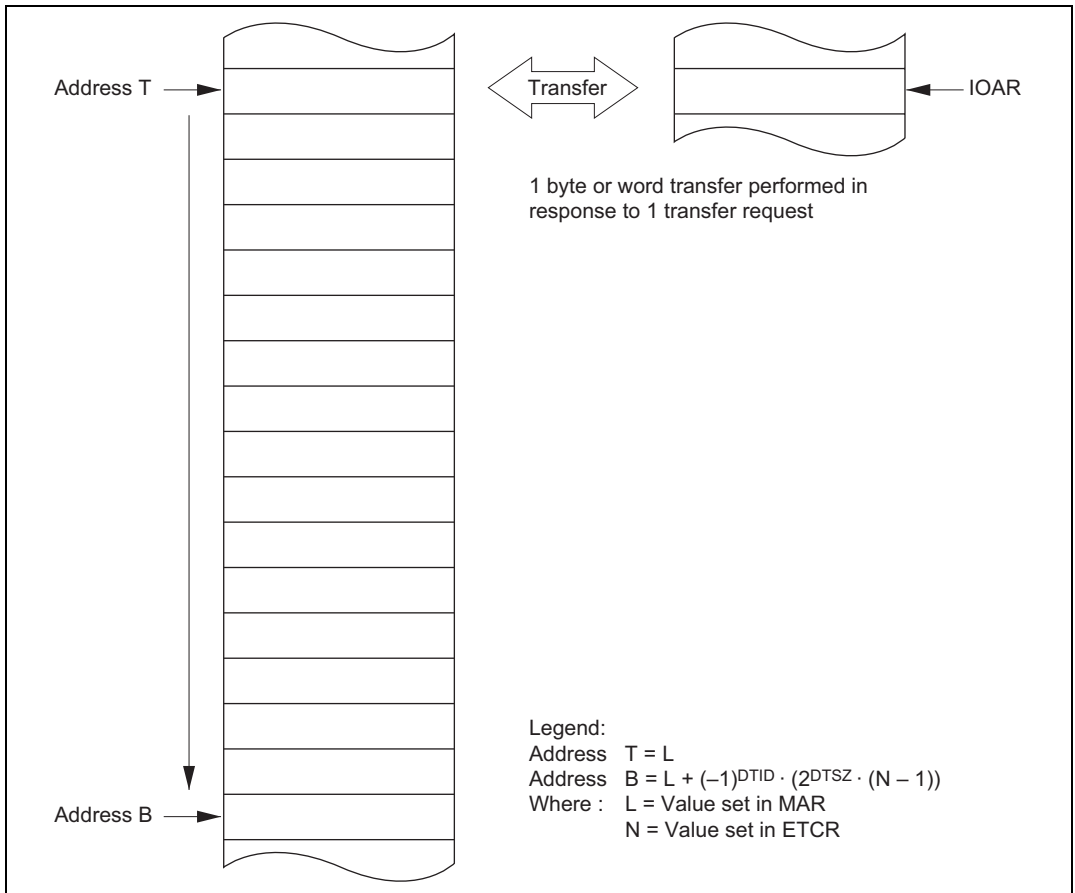
**Table 7.5 Register Functions in Sequential Mode**

| Register                                 | Function                     |                              | Initial Setting  | Operation   |
|--|------------------------------|------------------------------|--|---|
|  | DTDIR = 0                    | DTDIR = 1                    |  |   |
| <div style="text-align: center;"> </div> | Source address register      | Destination address register | Start address of transfer destination or transfer source | Incremented/decremented every transfer                            |
| <div style="text-align: center;"> </div> | Destination address register | Source address register      | Start address of transfer source or transfer destination | Fixed   |
| <div style="text-align: center;"> </div> | Transfer counter             |                              | Number of transfers                                      | Decrement every transfer; transfer ends when count reaches H'0000 |

MAR specifies the start address of the transfer source or transfer destination as 24 bits. MAR is incremented or decremented by 1 or 2 each time a byte or word is transferred. IOAR specifies the lower 16 bits of the other address. The 8 bits above IOAR have a value of H'FF.

Figure 7.3 illustrates operation in sequential mode.



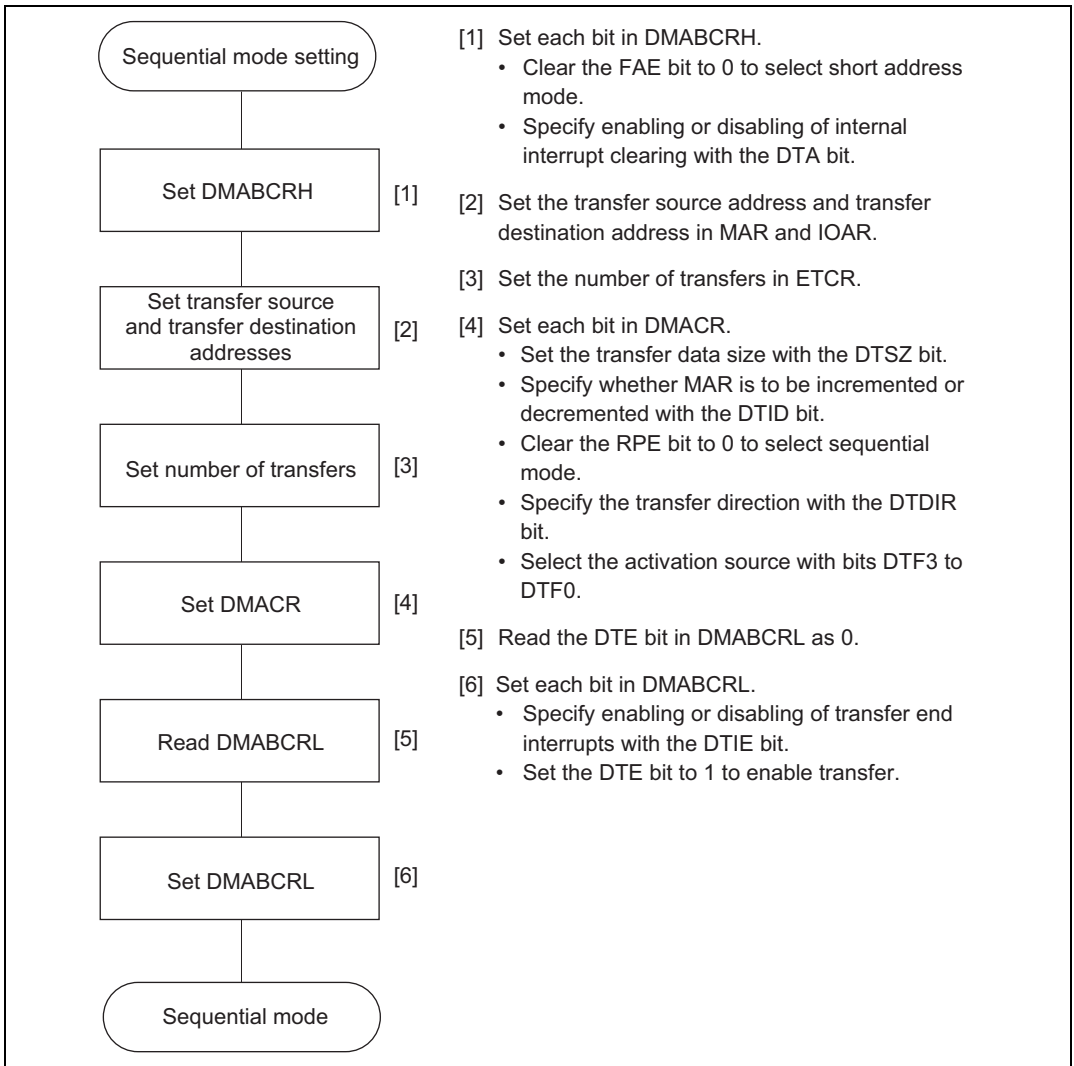


**Figure 7.3 Operation in Sequential Mode**

The number of transfers is specified as 16 bits in ETCR. ETCR is decremented by 1 each time a data transfer is executed, and when its value reaches H'0000, the DTE bit is cleared and data transfer ends. If the DTIE bit is set to 1 at this time, an interrupt request is sent to the CPU or DTC. The maximum number of transfers, when H'0000 is set in ETCR, is 65,536.

Transfer requests (activation sources) consist of A/D converter conversion end interrupts, external requests, SCI transmission complete and reception complete interrupts, and TPU channel 0 to 5 compare match/input capture A interrupts. External requests can only be specified for channel B.

Figure 7.4 shows an example of the setting procedure for sequential mode.

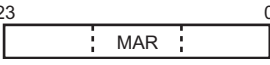
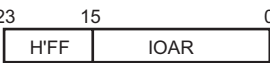
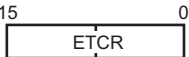


**Figure 7.4 Example of Sequential Mode Setting Procedure**

### 7.5.3 Idle Mode

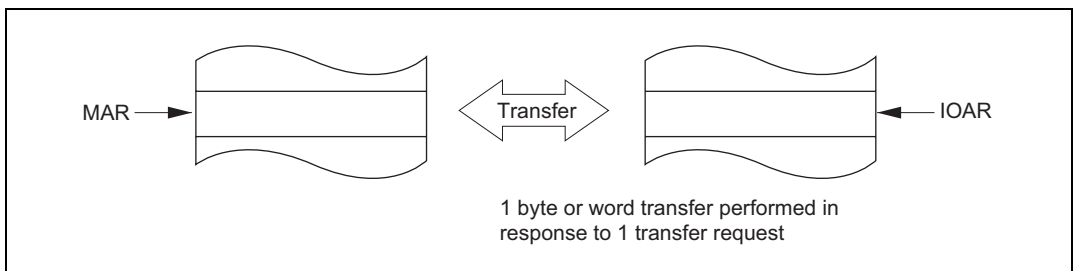
Idle mode can be specified by setting the RPE bit in DMACR and DTIE bit in DMABCRL to 1. In idle mode, one byte or word is transferred in response to a single transfer request, and this is executed the number of times specified in ETCR. One address is specified by MAR, and the other by IOAR. The transfer direction can be specified by the DTDIR bit in DMACR. Table 7.6 summarizes register functions in idle mode.

**Table 7.6 Register Functions in Idle Mode**

| Register  | Function                     |                              | Initial Setting  | Operation   |
|---|------------------------------|------------------------------|--|---|
|   | DTDIR = 0                    | DTDIR = 1                    |  |   |
|  | Source address register      | Destination address register | Start address of transfer destination or transfer source | Fixed   |
|  | Destination address register | Source address register      | Start address of transfer source or transfer destination | Fixed   |
|  | Transfer counter             |                              | Number of transfers                                      | Decrement every transfer; transfer ends when count reaches H'0000 |

MAR specifies the start address of the transfer source or transfer destination as 24 bits. MAR is neither incremented nor decremented by a data transfer. IOAR specifies the lower 16 bits of the other address. The upper 8 bits of IOAR have a value of H'FF.

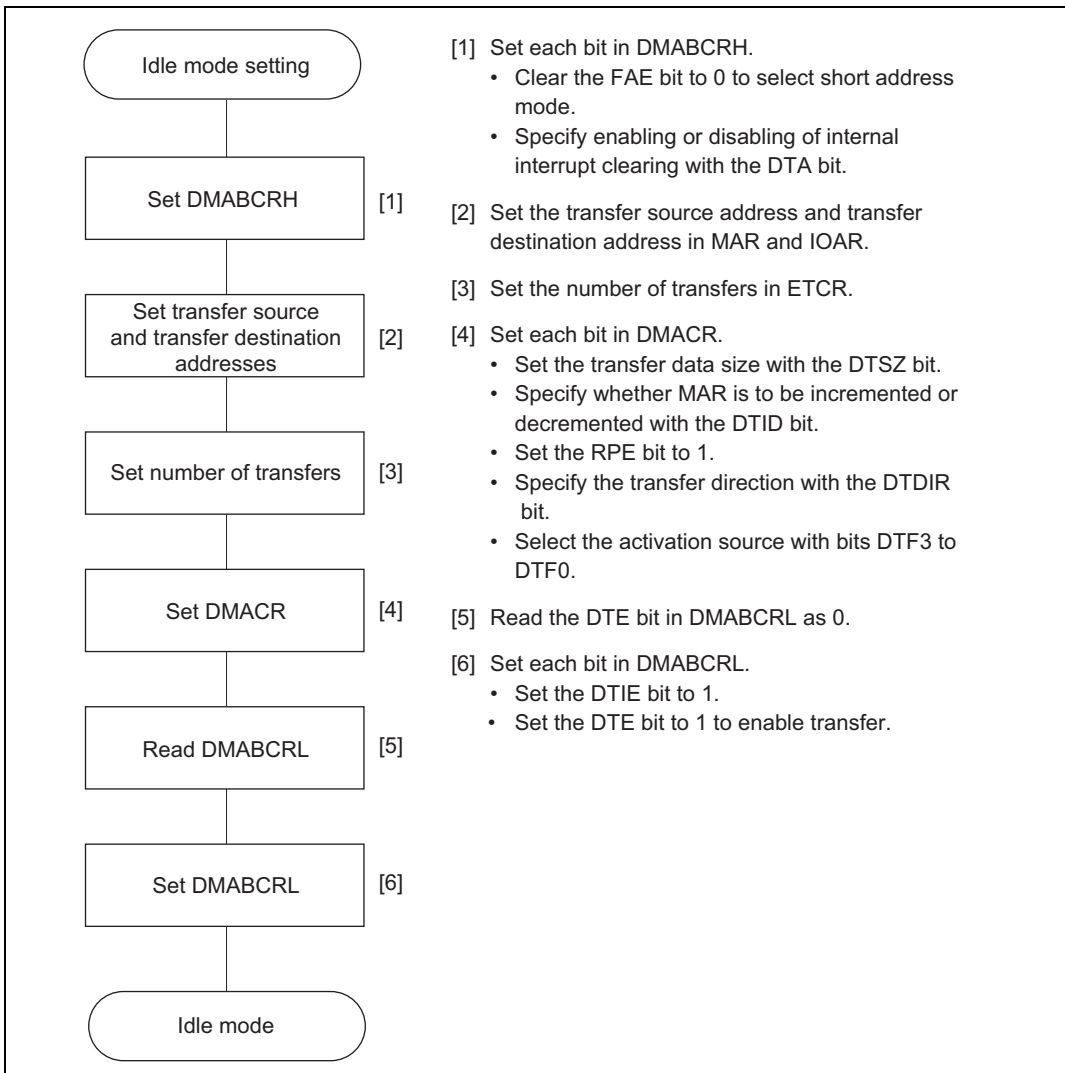
Figure 7.5 illustrates operation in idle mode.

**Figure 7.5 Operation in Idle Mode**

The number of transfers is specified as 16 bits in ETCR. ETCR is decremented by 1 each time a transfer is executed, and when its value reaches H'0000, the DTE bit is cleared and data transfer ends. If the DTIE bit is set to 1 at this time, an interrupt request is sent to the CPU or DTC. The maximum number of transfers, when H'0000 is set in ETCR, is 65,536.

Transfer requests (activation sources) consist of A/D converter conversion end interrupts, external requests, SCI transmission complete and reception complete interrupts, and TPU channel 0 to 5 compare match/input capture A interrupts. External requests can only be specified for channel B.

Figure 7.6 shows an example of the setting procedure for idle mode.



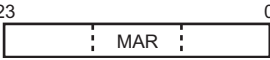
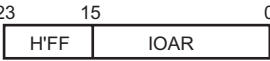


**Figure 7.6 Example of Idle Mode Setting Procedure**

#### 7.5.4 Repeat Mode

Repeat mode can be specified by setting the RPE bit in DMACR to 1, and clearing the DTIE bit in DMABCRL to 0. In repeat mode, MAR is updated after each byte or word transfer in response to a single transfer request, and this is executed the number of times specified in ETCRL. On completion of the specified number of transfers, MAR and ETCRL are automatically restored to their original settings and operation continues. One address is specified by MAR, and the other by

IOAR. The transfer direction can be specified by the DTDIR bit in DMACR. Table 7.7 summarizes register functions in repeat mode.

**Table 7.7 Register Functions in Repeat Mode**

| Register  | Function                     |                              | Initial Setting  | Operation   |
|---|------------------------------|------------------------------|--|---|
|   | DTDIR = 0                    | DTDIR = 1                    |  |   |
|  | Source address register      | Destination address register | Start address of transfer destination or transfer source | Incremented/decrypted every transfer. Initial setting is restored when value reaches H'0000 |
|  | Destination address register | Source address register      | Start address of transfer source or transfer destination | Fixed   |
|  | Holds number of transfers    |                              | Number of transfers                                      | Fixed   |
|  | Transfer counter             |                              | Number of transfers                                      | Decremented every transfer. Loaded with ETCRH value when count reaches H'00                 |

MAR specifies the start address of the transfer source or transfer destination as 24 bits. MAR is incremented or decremented by 1 or 2 each time a byte or word is transferred. IOAR specifies the lower 16 bits of the other address. The upper 8 bits of IOAR have a value of H'FF. The number of transfers is specified as 8 bits by ETCRH and ETCRL. The maximum number of transfers, when H'00 is set in both ETCRH and ETCRL, is 256.

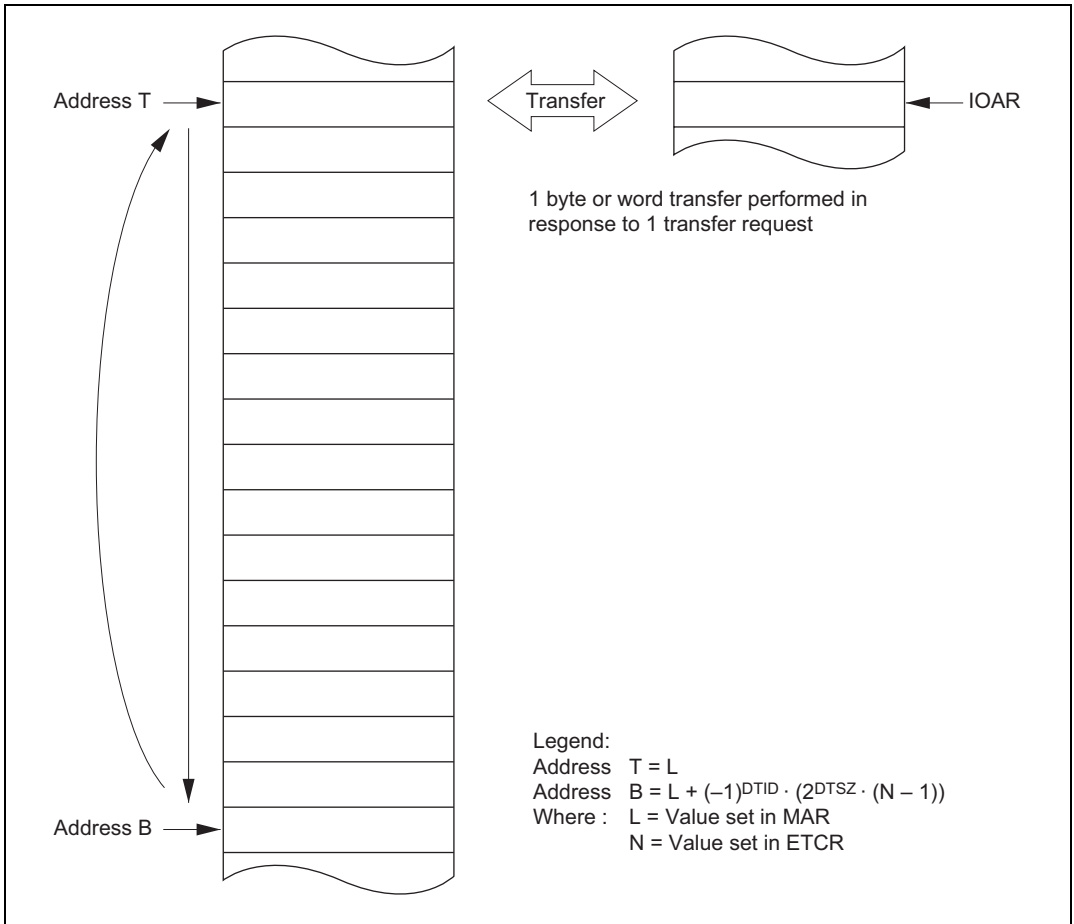
In repeat mode, ETCRL functions as the transfer counter, and ETCRH is used to hold the number of transfers. ETCRL is decremented by 1 each time a data transfer is executed, and when its value reaches H'00, it is loaded with the value in ETCRH. At the same time, the value set in MAR is restored in accordance with the values of the DTSZ and DTID bits in DMACR. The MAR restoration operation is as shown below.

$$\text{MAR} = \text{MAR} - (-1)^{\text{DTID}} \cdot 2^{\text{DTSZ}} \cdot \text{ETCRH}$$

The same value should be set in ETCRH and ETCRL.

In repeat mode, operation continues until the DTE bit in DMABCRL is cleared. To end the transfer operation, therefore, the DTE bit should be cleared to 0. A transfer end interrupt request is not sent to the CPU or DTC. By setting the DTE bit to 1 again after it has been cleared, the operation can be restarted from the transfer after that terminated when the DTE bit was cleared.

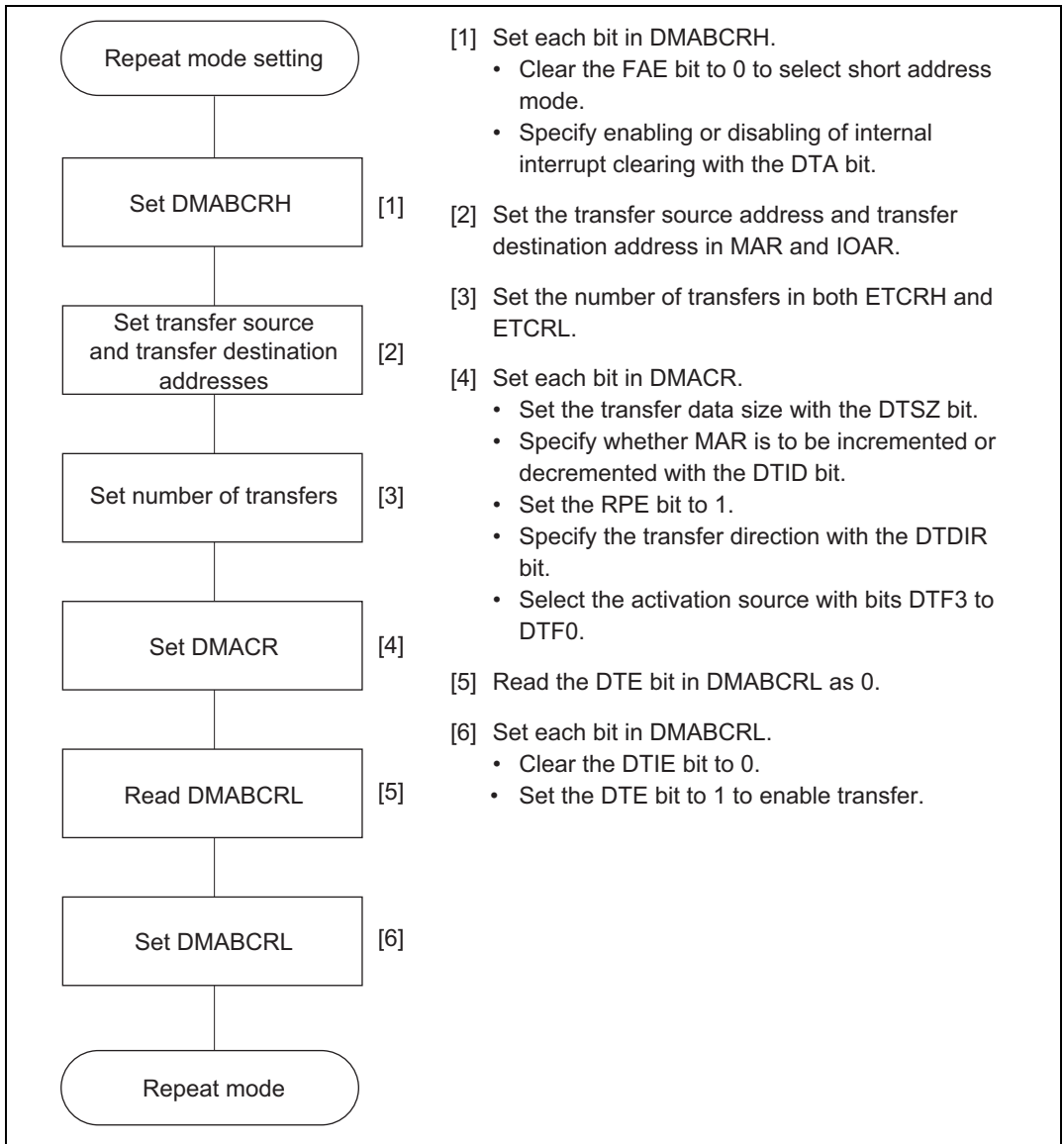
Figure 7.7 illustrates operation in repeat mode.



**Figure 7.7 Operation in Repeat mode**

Transfer requests (activation sources) consist of A/D converter conversion end interrupts, external requests, SCI transmission complete and reception complete interrupts, and TPU channel 0 to 5 compare match/input capture A interrupts. External requests can only be specified for channel B.

Figure 7.8 shows an example of the setting procedure for repeat mode.





**Figure 7.8 Example of Repeat Mode Setting Procedure**

### 7.5.5 Single Address Mode

Single address mode can only be specified for channel B. This mode can be specified by setting the SAE bit in DMABCRH to 1 in short address mode.

One address is specified by MAR, and the other is set automatically to the data transfer acknowledge pin ( $\overline{DACK}$ ). The transfer direction can be specified by the DTDIR bit in DMACR. Table 7.8 summarizes register functions in single address mode.

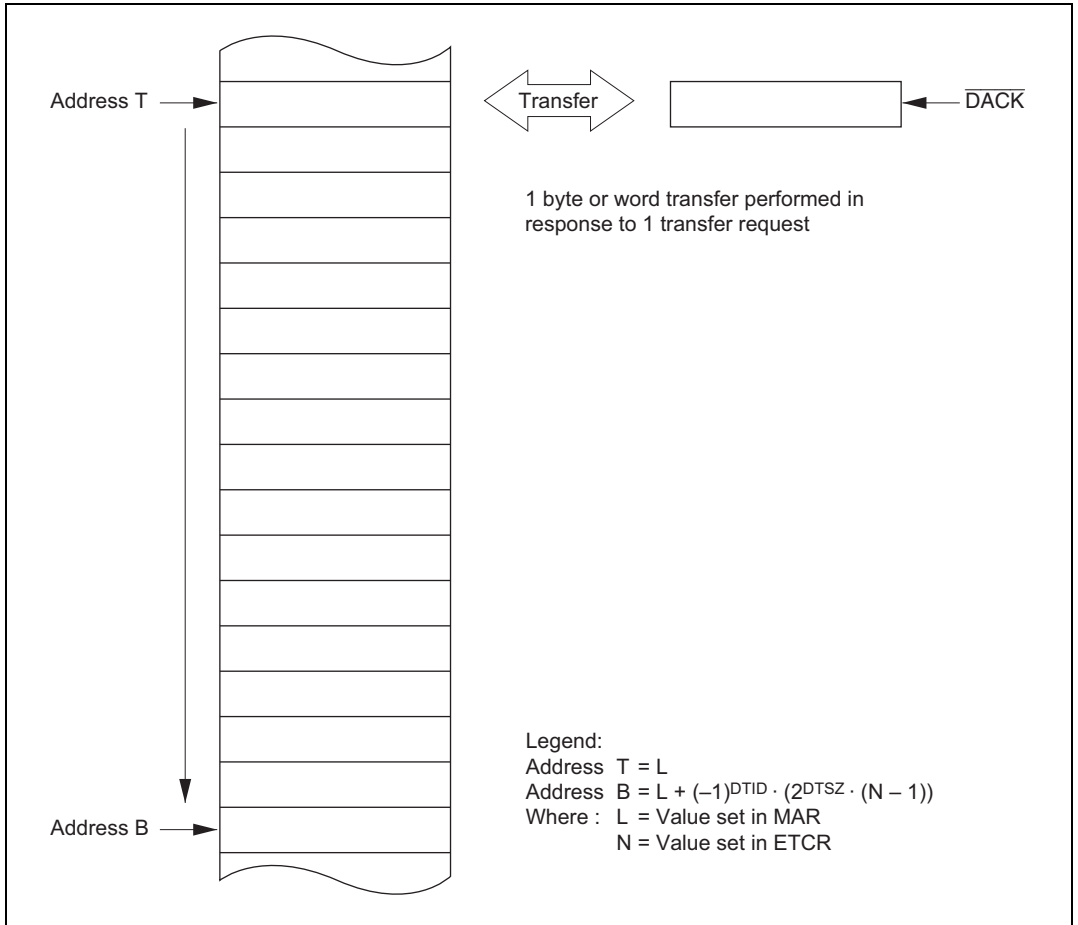
**Table 7.8 Register Functions in Single Address Mode**

| Register  | Function                |                              | Initial Setting  | Operation   |
|---|-------------------------|------------------------------|--|---|
|   | DTDIR = 0               | DTDIR = 1                    |  |   |
|  | Source address register | Destination address register | Start address of transfer destination or transfer source | See sections 7.5.2, 7.5.3, Idle Mode, and 7.5.4, Repeat Mode. |
| $\overline{DACK}$ pin   | Write strobe            | Read strobe                  | (Set automatically by SAE bit; IOAR is invalid)          | Strobe for external device                                    |
|  | Transfer counter        |                              | Number of transfers                                      | See sections 7.5.2, 7.5.3, Idle Mode, and 7.5.4, Repeat Mode. |

MAR specifies the start address of the transfer source or transfer destination as 24 bits. IOAR is invalid; in its place the strobe for external devices ( $\overline{DACK}$ ) is output.

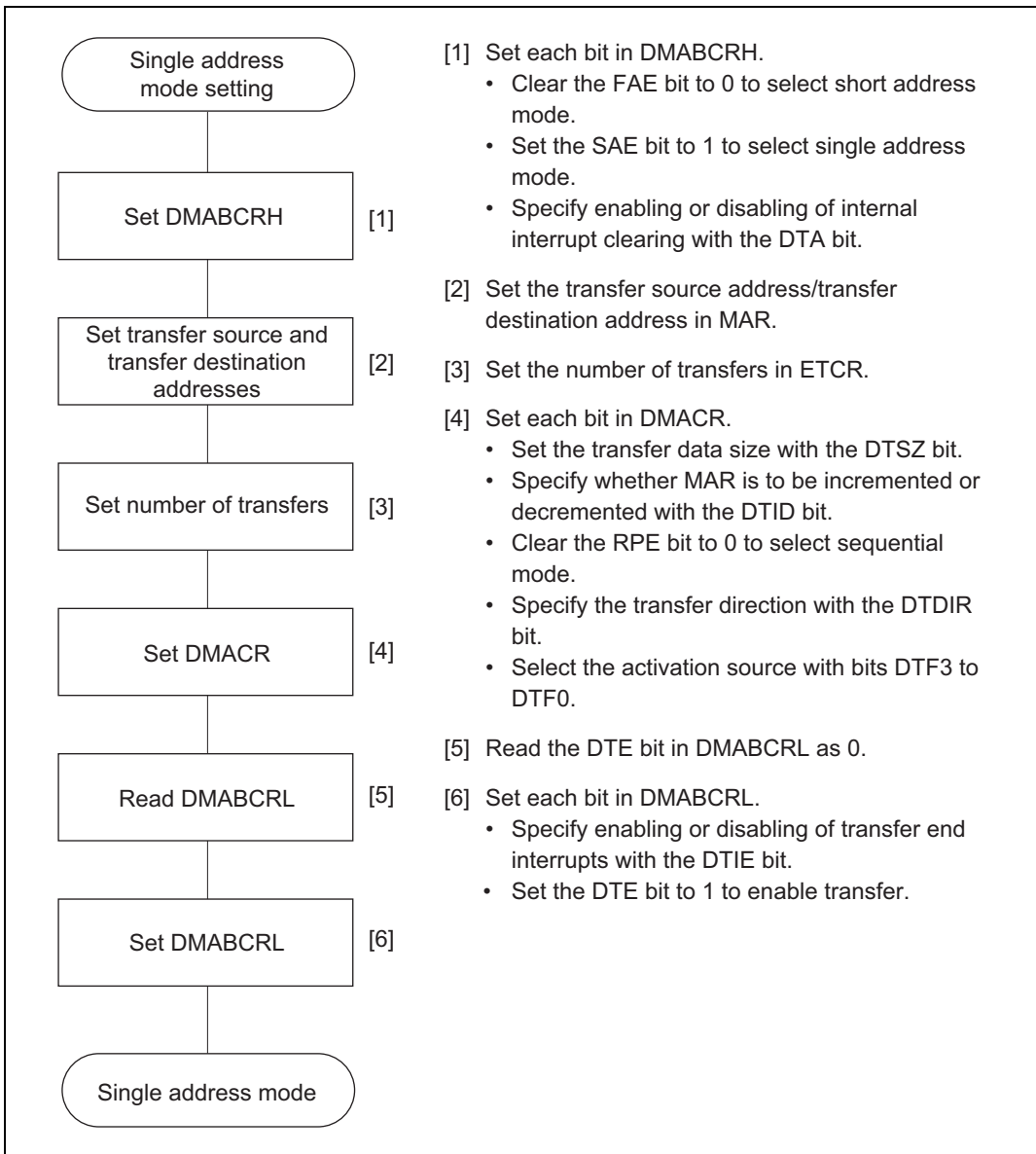
Figure 7.9 illustrates operation in single address mode (when sequential mode is specified).





**Figure 7.9 Operation in Single Address Mode (When Sequential Mode Is Specified)**

Figure 7.10 shows an example of the setting procedure for single address mode (when sequential mode is specified).






**Figure 7.10 Example of Single Address Mode Setting Procedure (When Sequential Mode Is Specified)**

### 7.5.6 Normal Mode

In normal mode, transfer is performed with channels A and B used in combination. Normal mode can be specified by setting the FAE bit in DMABCRH to 1 and clearing the BLKE bit in DMACRA to 0. In normal mode, MAR is updated after data transfer of a byte or word in response to a single transfer request, and this is executed the number of times specified in ETCRA. The transfer source is specified by MARA, and the transfer destination by MARB. Table 7.9 summarizes register functions in normal mode.

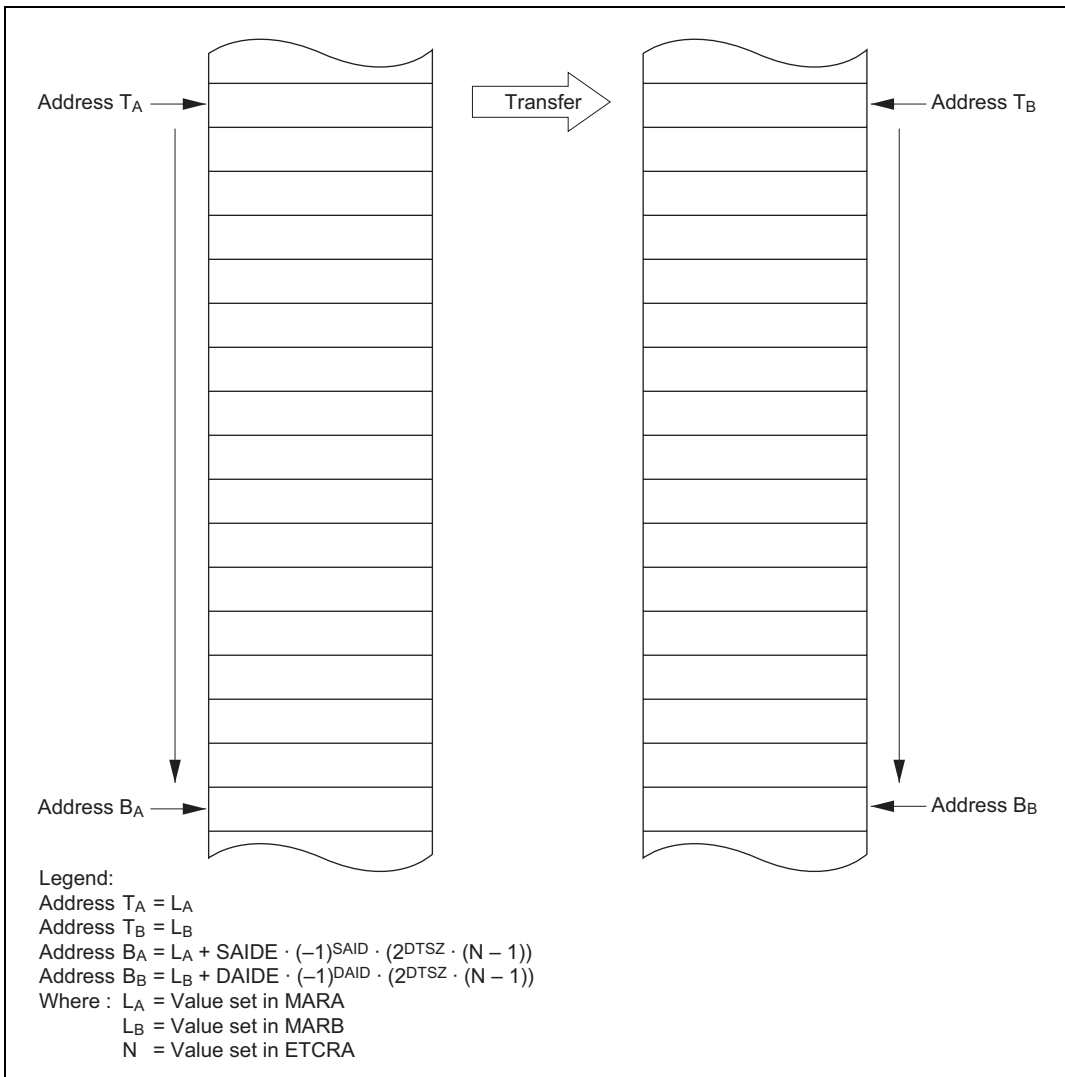
**Table 7.9 Register Functions in Normal Mode**

| Register  | Function                     | Initial Setting                       | Operation   |
|---|------------------------------|---------------------------------------|---|
|  | Source address register      | Start address of transfer source      | Incremented/decremented every transfer, or fixed                    |
|  | Destination address register | Start address of transfer destination | Incremented/decremented every transfer, or fixed                    |
|  | Transfer counter             | Number of transfers                   | Decremented every transfer; transfer ends when count reaches H'0000 |

MARA and MARB specify the start addresses of the transfer source and transfer destination, respectively, as 24 bits. MAR can be incremented or decremented by 1 or 2 each time a byte or word is transferred, or can be fixed. Incrementing, decrementing, or holding a fixed value can be set separately for MARA and MARB.

The number of transfers is specified by ETCRA as 16 bits. ETCRA is decremented by 1 each time a transfer is performed, and when its value reaches H'0000 the DTE bit in DMABCRL is cleared and transfer ends. If the DTIE bit in DMABCRL is set to 1 at this time, an interrupt request is sent to the CPU or DTC. The maximum number of transfers, when H'0000 is set in ETCRA, is 65,536.

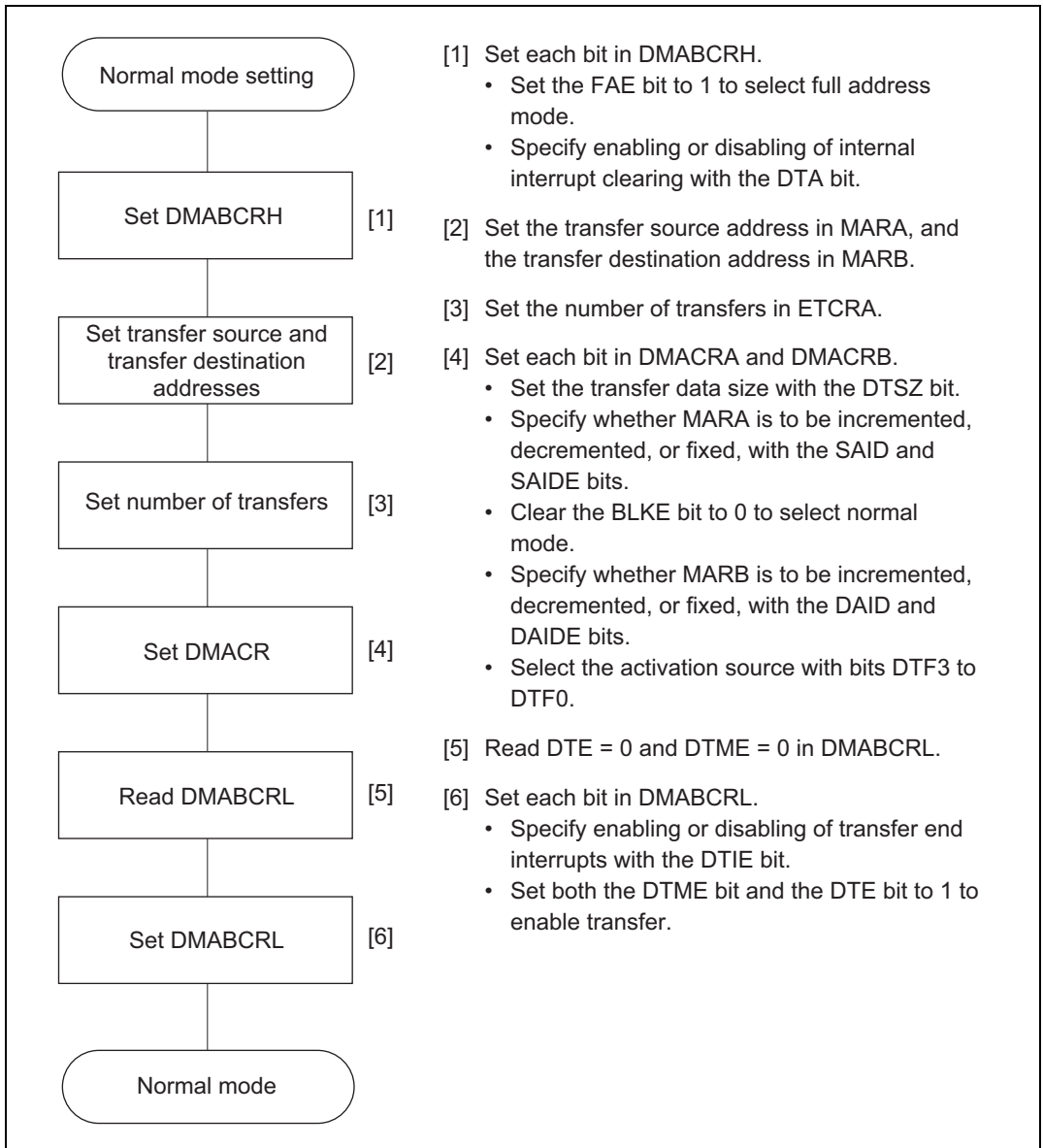
Figure 7.11 illustrates operation in normal mode.



**Figure 7.11 Operation in Normal Mode**

Transfer requests (activation sources) are external requests and auto-requests. With auto-request, the DMAC is only activated by register setting, and the specified number of transfers are performed automatically. With auto-request, cycle steal mode or burst mode can be selected. In cycle steal mode, the bus is released to another bus master each time a transfer is performed. In burst mode, the bus is held continuously until transfer ends.

Figure 7.12 shows an example of the setting procedure for normal mode.




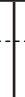




**Figure 7.12 Example of Normal Mode Setting Procedure**

### 7.5.7 Block Transfer Mode

In block transfer mode, data transfer is performed with channels A and B used in combination. Block transfer mode can be specified by setting the FAE bit in DMABCRH and the BLKE bit in DMACRA to 1. In block transfer mode, a data transfer of the specified block size is carried out in response to a single transfer request, and this is executed for the number of times specified in ETCRB. The transfer source is specified by MARA, and the transfer destination by MARB. Either the transfer source or the transfer destination can be selected as a block area (an area composed of a number of bytes or words). Table 7.10 summarizes register functions in block transfer mode.

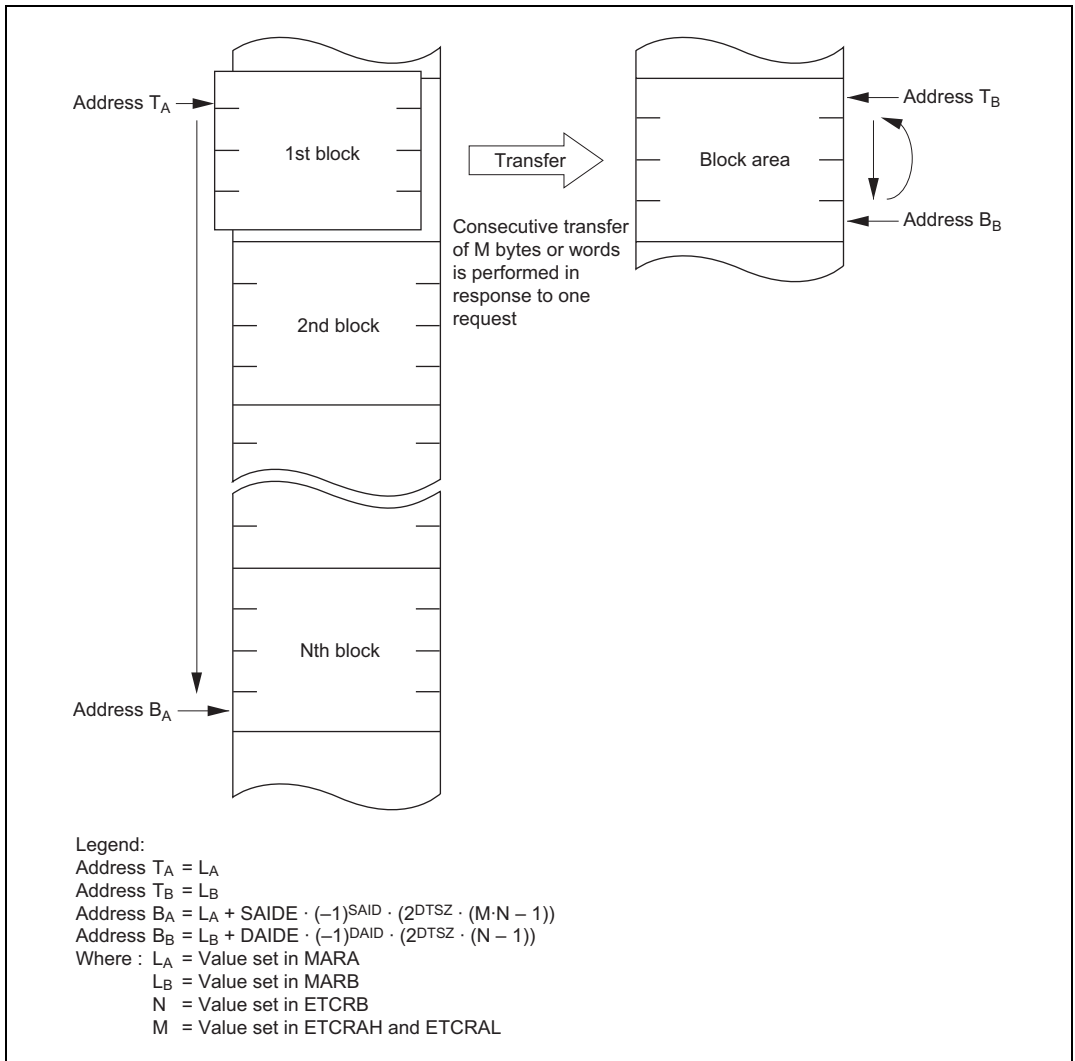
**Table 7.10 Register Functions in Block Transfer Mode**

| Register  | Function                     | Initial Setting                       | Operation   |
|---|------------------------------|---------------------------------------|---|
|  | Source address register      | Start address of transfer source      | Incremented/decremented every transfer, or fixed                        |
|  | Destination address register | Start address of transfer destination | Incremented/decremented every transfer, or fixed                        |
|  | Holds block size             | Block size                            | Fixed   |
|  | Block size counter           | Block size                            | Decrement every transfer; ETCRAL value copied when count reaches H'00   |
|  |                              |                                       |   |
|  | Block transfer counter       | Number of block transfers             | Decrement every block transfer; transfer ends when count reaches H'0000 |

MARA and MARB specify the start addresses of the transfer source and transfer destination, respectively, as 24 bits. MAR can be incremented or decremented by 1 or 2 each time a byte or word is transferred, or can be fixed. Incrementing, decrementing, or holding a fixed value can be set separately for MARA and MARB. Whether a block is to be designated for MARA or for MARB is specified by the BLKDIR bit in DMACRA.

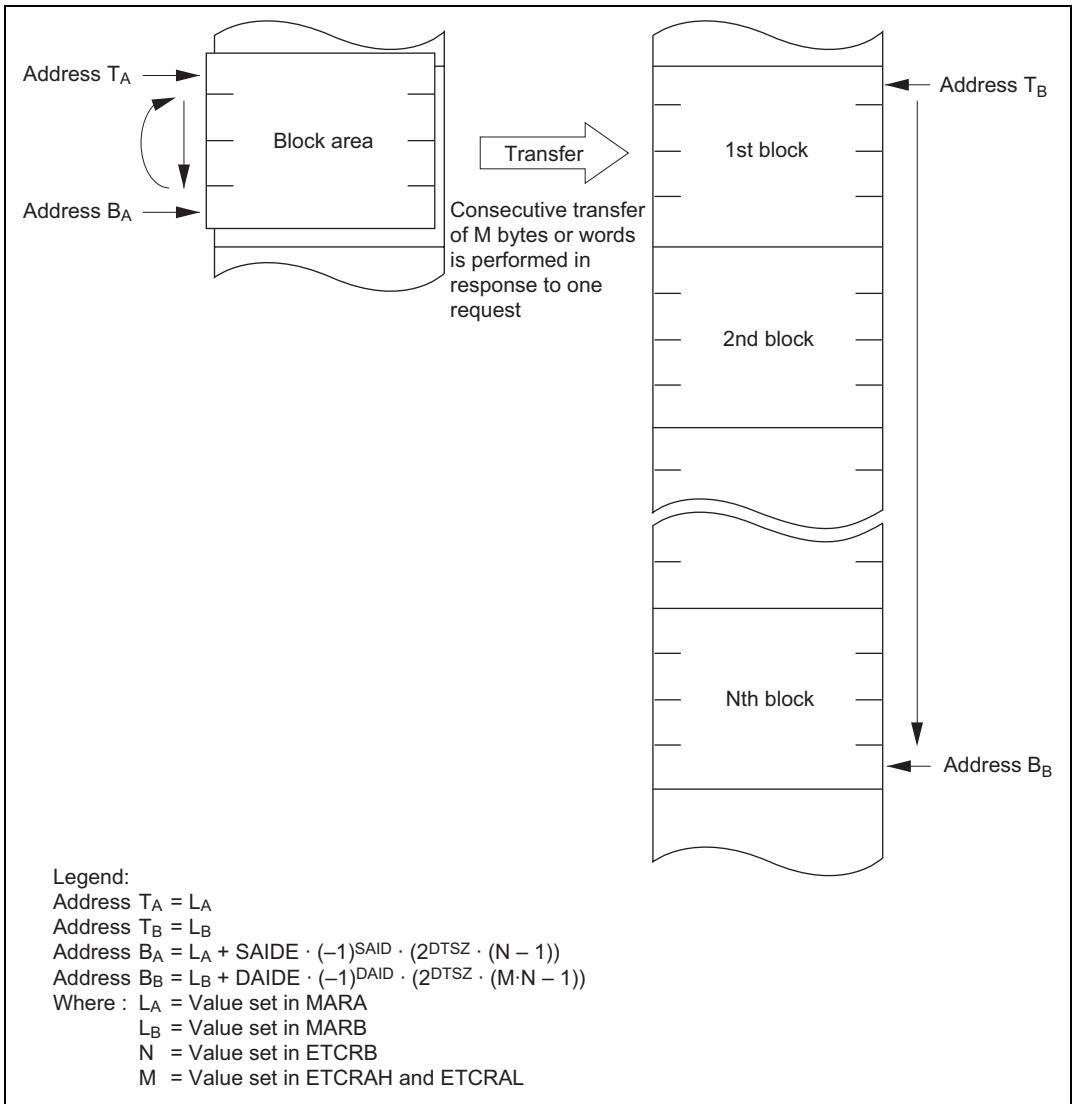
To specify the number of transfers, if M is the size of one block (where M = 1 to 256) and N transfers are to be performed (where N = 1 to 65,536), M is set in both ETCRAH and ETCRAL, and N in ETCRB.

Figure 7.13 illustrates operation in block transfer mode when MARB is designated as a block area.



**Figure 7.13 Operation in Block Transfer Mode (BLKDIR = 0)**

Figure 7.14 illustrates operation in block transfer mode when MARA is designated as a block area.



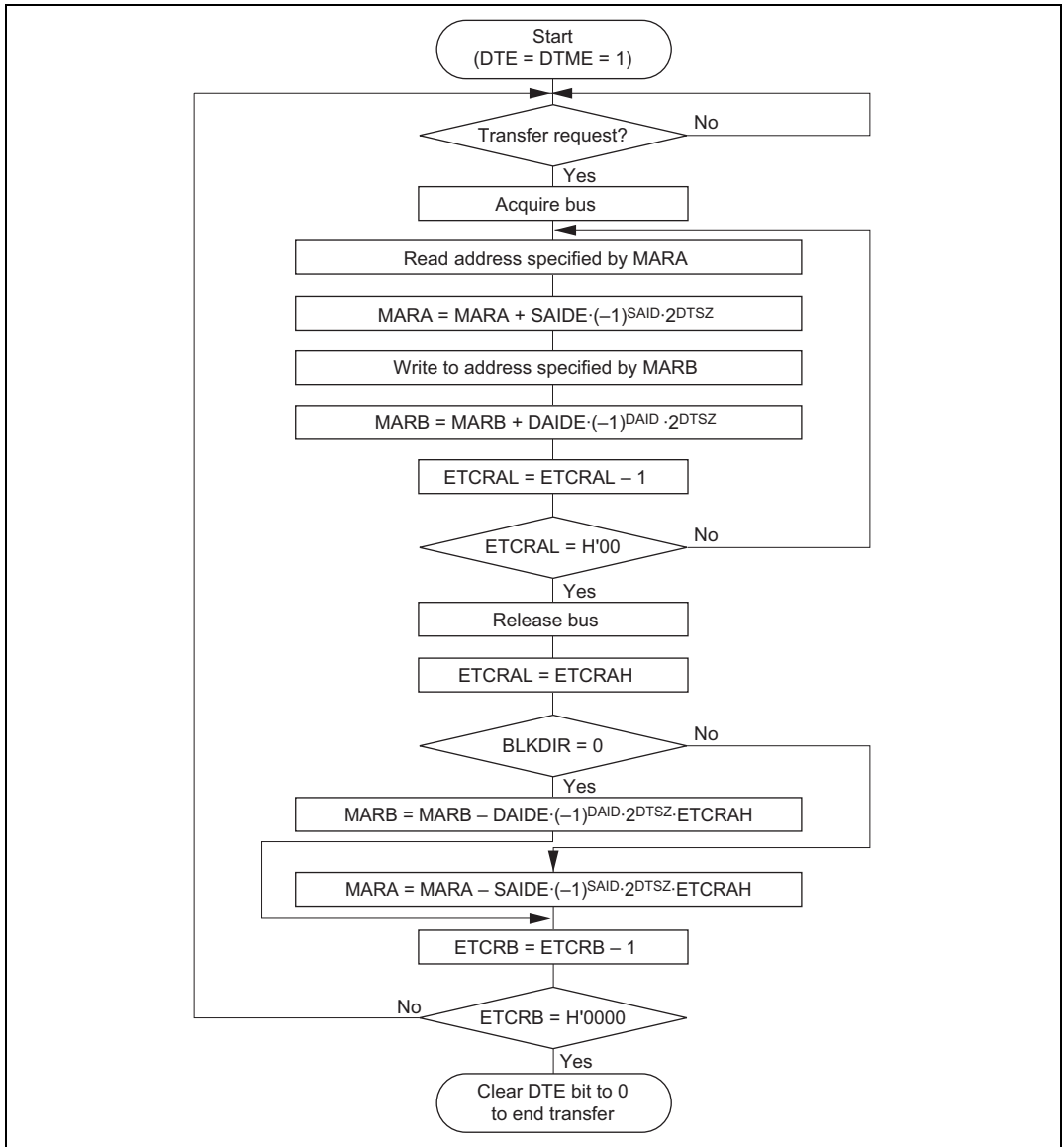
**Figure 7.14 Operation in Block Transfer Mode (BLKDIR = 1)**

ETCRAL is decremented by 1 each time a byte or word transfer is performed. In response to a single transfer request, burst transfer is performed until the value in ETCRAL reaches H'00. ETCRAL is then loaded with the value in ETCRAH. At this time, the value in the MAR register for which a block designation has been given by the BLKDIR bit in DMACRA is restored in accordance with the DTSZ, SAID/DAID, and SAIDE/DAIDE bits in DMACR.



ETCRB is decremented by 1 after every block transfer, and when the count reaches H'0000 the DTE bit in DMABCRL is cleared and transfer ends. If the DTIE bit in DMABCRL is set to 1 at this point, an interrupt request is sent to the CPU or DTC.

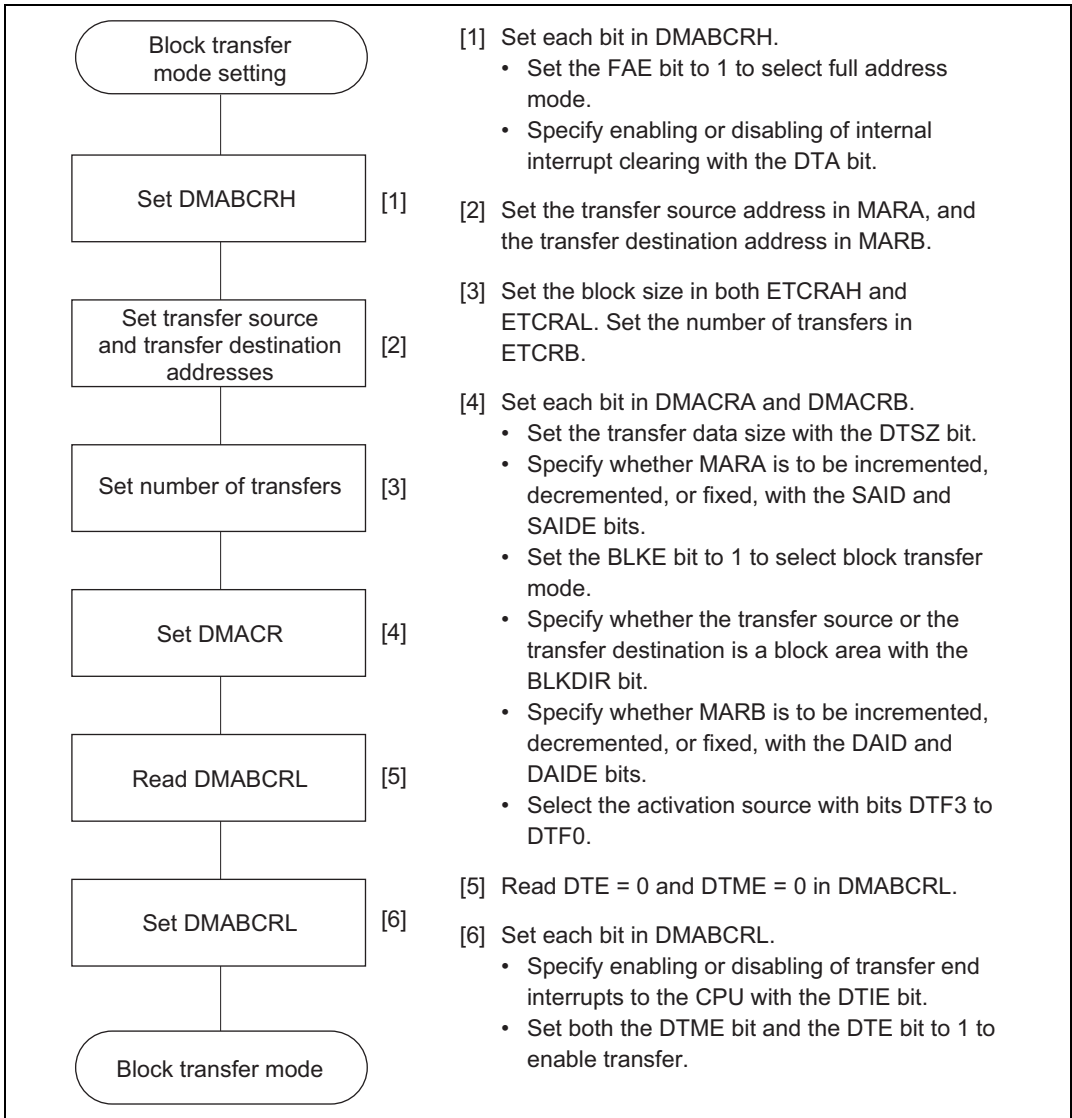
Figure 7.15 shows the operation flow in block transfer mode.



**Figure 7.15 Operation Flow in Block Transfer Mode**

Transfer requests (activation sources) consist of A/D converter conversion end interrupts, external requests, SCI transmission complete and reception complete interrupts, and TPU channel 0 to 5 compare match/input capture A interrupts.

Figure 7.16 shows an example of the setting procedure for block transfer mode.

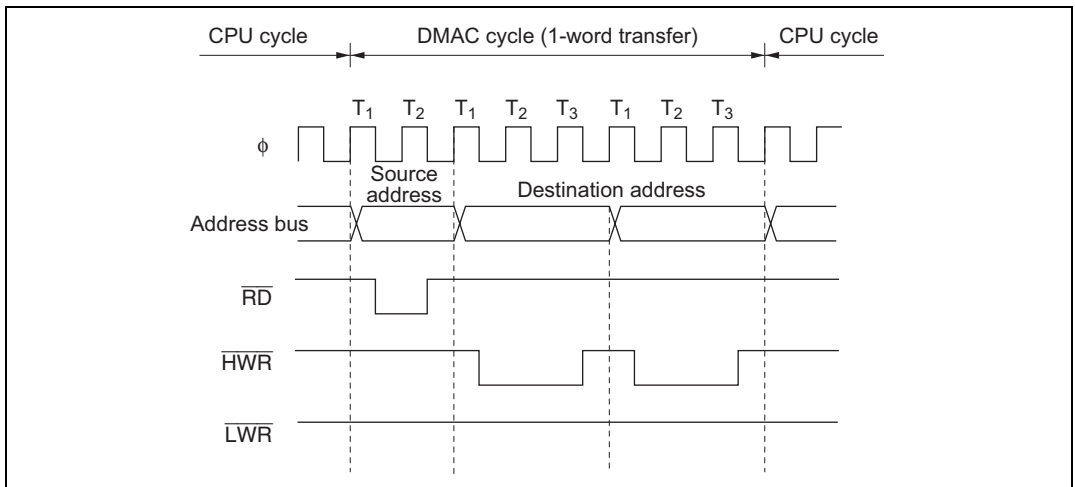


**Figure 7.16 Example of Block Transfer Mode Setting Procedure**

### 7.5.8 Basic Bus Cycles

An example of the basic DMAC bus cycle timing is shown in figure 7.17. In this example, word-size transfer is performed from 16-bit, 2-state access space to 8-bit, 3-state access space. When the bus is transferred from the CPU to the DMAC, a source address read and destination address write are performed. The bus is not released in response to another bus request, etc., between these read and write operations. As like CPU cycles, DMA cycles conform to the bus controller settings.

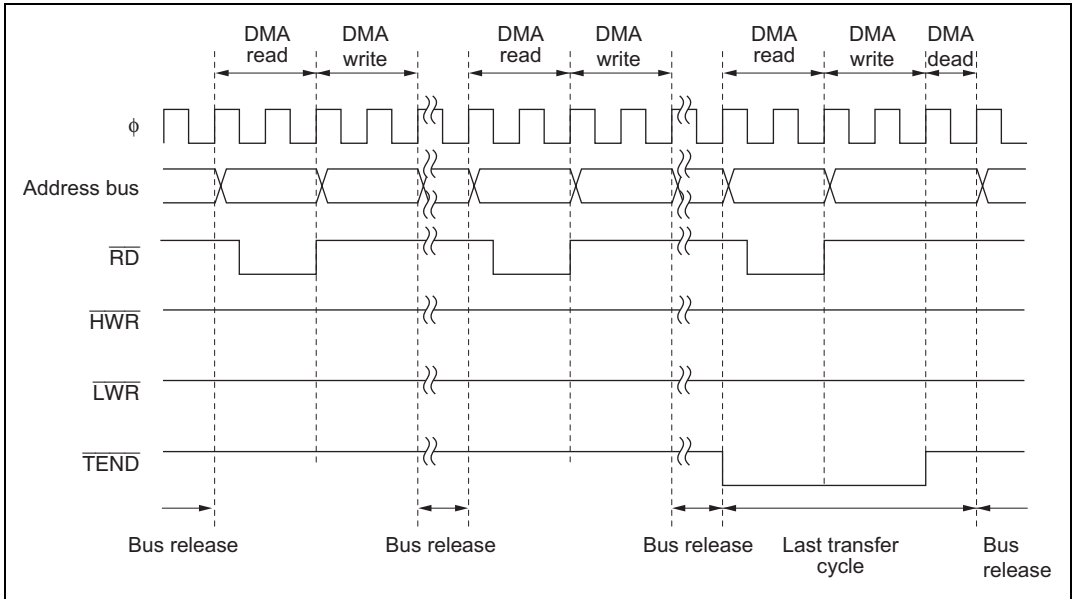
The address is not output to the external address bus in an access to on-chip memory or an internal I/O register.



**Figure 7.17 Example of DMA Transfer Bus Timing**

### 7.5.9 DMA Transfer (Dual Address Mode) Bus Cycles

**Short Address Mode:** Figure 7.18 shows a transfer example in which  $\overline{\text{TEND}}$  output is enabled and byte-size short address mode transfer (sequential/idle/repeat mode) is performed from external 8-bit, 2-state access space to internal I/O space.



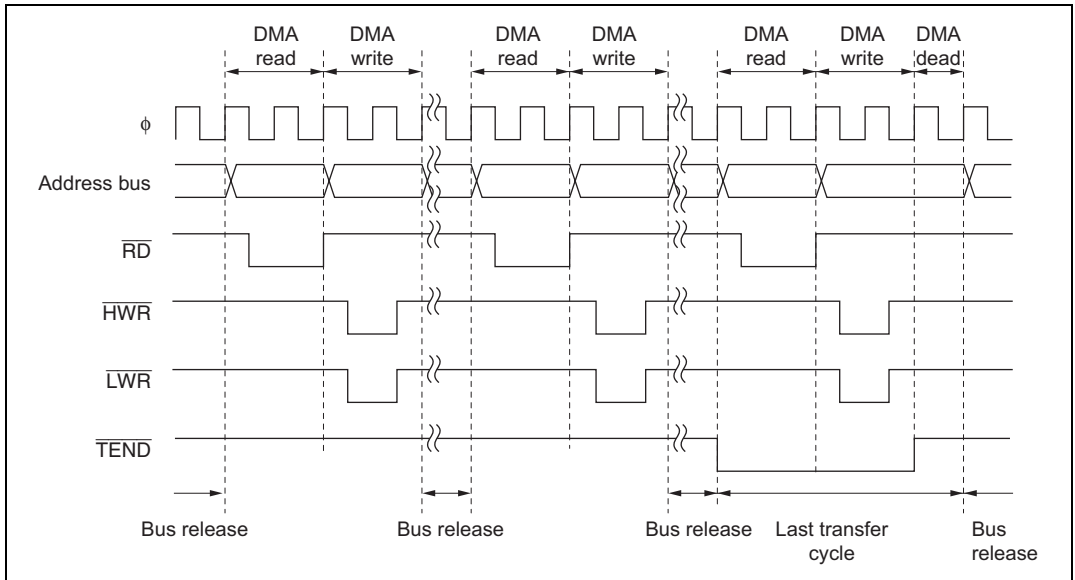
**Figure 7.18 Example of Short Address Mode Transfer**

A byte or word transfer is performed for a single transfer request, and after the transfer, the bus is released. While the bus is released, one or more bus cycles are executed by the CPU or DTC.

In the transfer end cycle (the cycle in which the transfer counter reaches 0), a one-state DMA dead cycle is inserted after the DMA write cycle.

In repeat mode, when  $\overline{\text{TEND}}$  output is enabled,  $\overline{\text{TEND}}$  output goes low in the transfer end cycle.

**Full Address Mode (Cycle Steal Mode):** Figure 7.19 shows a transfer example in which  $\overline{\text{TEND}}$  output is enabled and word-size full address mode transfer (cycle steal mode) is performed from external 16-bit, 2-state access space to external 16-bit, 2-state access space.

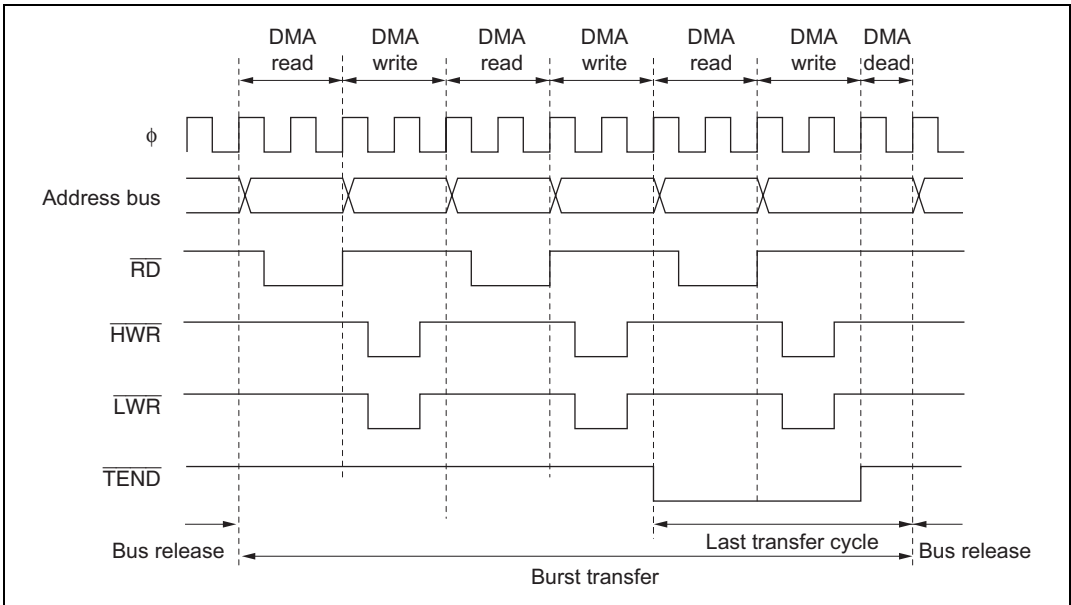


**Figure 7.19 Example of Full Address Mode Transfer (Cycle Steal)**

A byte or word transfer is performed for a single transfer request, and after the transfer, the bus is released. While the bus is released, one bus cycle is executed by the CPU or DTC.

In the transfer end cycle (the cycle in which the transfer counter reaches 0), a one-state DMA dead cycle is inserted after the DMA write cycle.

**Full Address Mode (Burst Mode):** Figure 7.20 shows a transfer example in which  $\overline{\text{TEND}}$  output is enabled and word-size full address mode transfer (burst mode) is performed from external 16-bit, 2-state access space to external 16-bit, 2-state access space.



**Figure 7.20 Example of Full Address Mode Transfer (Burst Mode)**

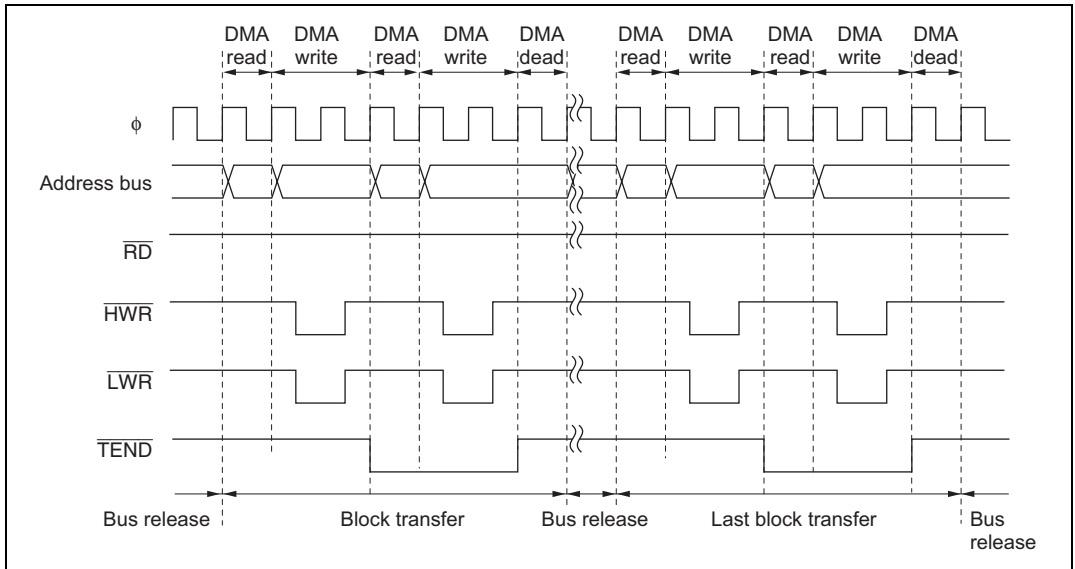
In burst mode, one-byte or one-word transfers are executed consecutively until transfer ends.

In the transfer end cycle (the cycle in which the transfer counter reaches 0), a one-state DMA dead cycle is inserted after the DMA write cycle.

If a request from another higher-priority channel is generated after burst transfer starts, that channel has to wait until the burst transfer ends.

If an NMI interrupt is generated while a channel designated for burst transfer is in the transfer enabled state, the DTME bit in DMABCRL is cleared and the channel is placed in the transfer disabled state. If burst transfer has already been activated inside the DMAC, the bus is released on completion of a one-byte or one-word transfer within the burst transfer, and burst transfer is suspended. If the last transfer cycle of the burst transfer has already been activated inside the DMAC, execution continues to the end of the transfer even if the DTME bit is cleared.

**Full Address Mode (Block Transfer Mode):** Figure 7.21 shows a transfer example in which  $\overline{TEND}$  output is enabled and word-size full address mode transfer (block transfer mode) is performed from internal 16-bit, 1-state access space to external 16-bit, 2-state access space.



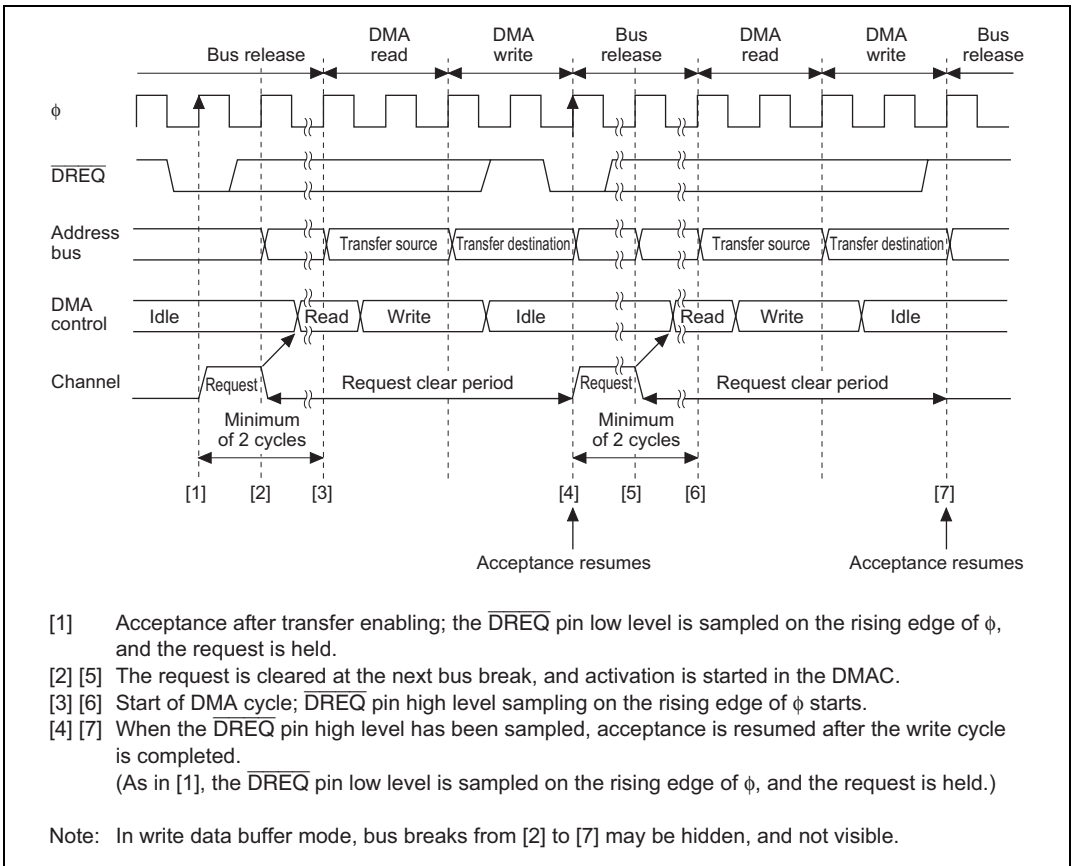
**Figure 7.21 Example of Full Address Mode Transfer (Block Transfer Mode)**

A one-block transfer is performed for a single transfer request, and after the transfer the bus is released. While the bus is released, one or more bus cycles are executed by the CPU or DTC.

In the transfer end cycle of each block (the cycle in which the transfer counter reaches 0), a one-state DMA dead cycle is inserted after the DMA write cycle. Even if an NMI interrupt is generated during data transfer, block transfer operation is not affected until data transfer for one block has ended.

**$\overline{DREQ}$  Pin Falling Edge Activation Timing:** Set the DTA bit in DMABCRH to 1 for the channel for which the  $\overline{DREQ}$  pin is selected.

Figure 7.22 shows an example of normal mode transfer activated by the  $\overline{DREQ}$  pin falling edge.



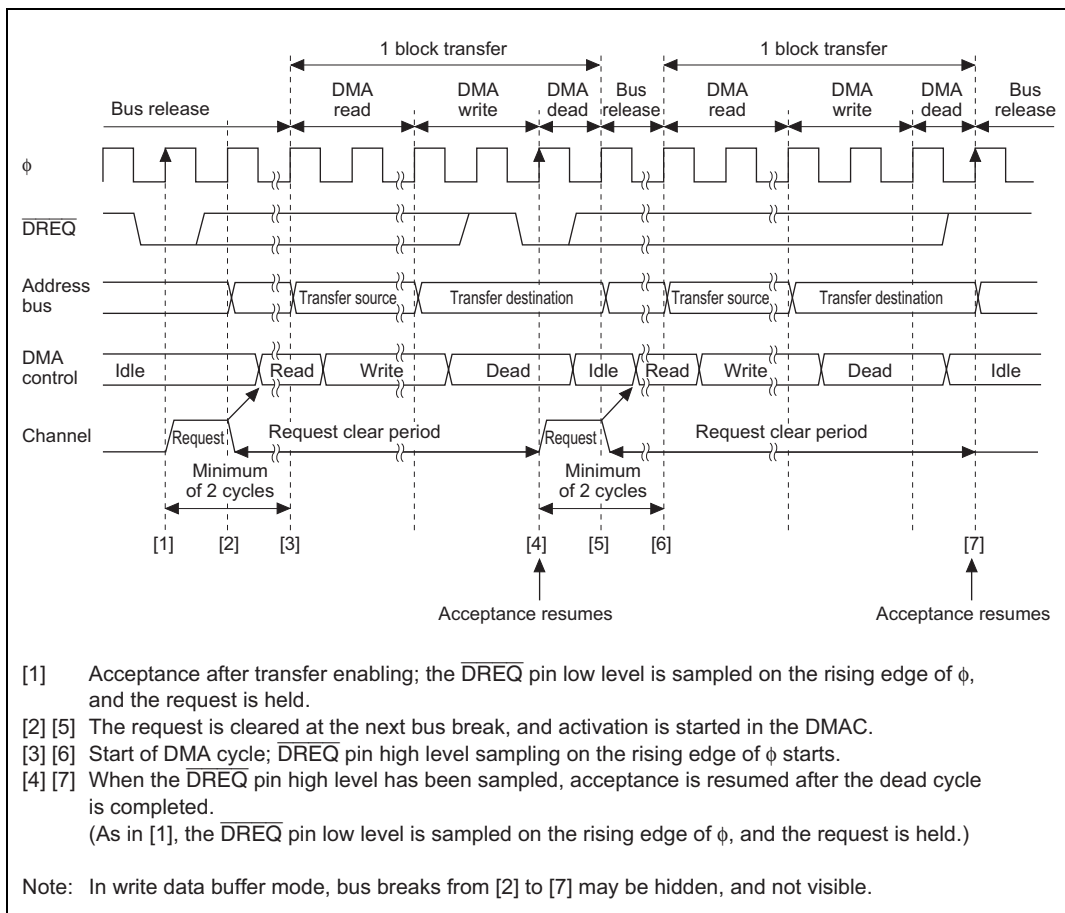
**Figure 7.22 Example of  $\overline{\text{DREQ}}$  Pin Falling Edge Activated Normal Mode Transfer**

$\overline{\text{DREQ}}$  pin sampling is performed every cycle, with the rising edge of the next  $\phi$  cycle after the end of the DMABCR write cycle for setting the transfer enabled state as the starting point.

When the  $\overline{\text{DREQ}}$  pin low level is sampled while acceptance by means of the  $\overline{\text{DREQ}}$  pin is possible, the request is held in the DMAC. Then, when activation is initiated in the DMAC, the request is cleared, and  $\overline{\text{DREQ}}$  pin high level sampling for edge detection is started. If  $\overline{\text{DREQ}}$  pin high level sampling has been completed by the time the DMA write cycle ends, acceptance resumes after the end of the write cycle,  $\overline{\text{DREQ}}$  pin low level sampling is performed again, and this operation is repeated until the transfer ends.

Figure 7.23 shows an example of block transfer mode transfer activated by the  $\overline{\text{DREQ}}$  pin falling edge.





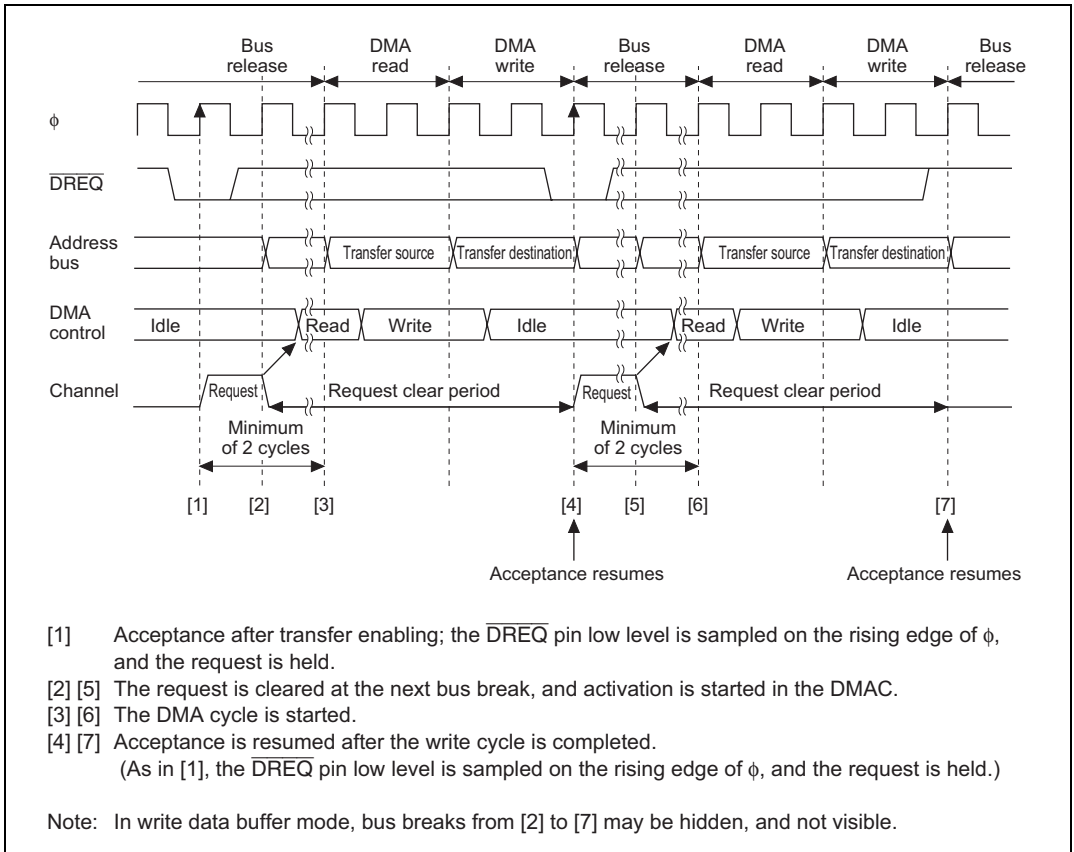
**Figure 7.23 Example of  $\overline{\text{DREQ}}$  Pin Falling Edge Activated Block Transfer Mode Transfer**

$\overline{\text{DREQ}}$  pin sampling is performed every cycle, with the rising edge of the next  $\phi$  cycle after the end of the DMABCR write cycle for setting the transfer enabled state as the starting point.

When the  $\overline{\text{DREQ}}$  pin low level is sampled while acceptance by means of the  $\overline{\text{DREQ}}$  pin is possible, the request is held in the DMAC. Then, when activation is initiated in the DMAC, the request is cleared, and  $\overline{\text{DREQ}}$  pin high level sampling for edge detection is started. If  $\overline{\text{DREQ}}$  pin high level sampling has been completed by the time the DMA dead cycle ends, acceptance resumes after the end of the dead cycle,  $\overline{\text{DREQ}}$  pin low level sampling is performed again, and this operation is repeated until the transfer ends.

**$\overline{\text{DREQ}}$  Pin Low Level Activation Timing (Normal Mode):** Set the DTA bit in DMABCRH to 1 for the channel for which the  $\overline{\text{DREQ}}$  pin is selected.

Figure 7.24 shows an example of normal mode transfer activated by the  $\overline{\text{DREQ}}$  pin low level.

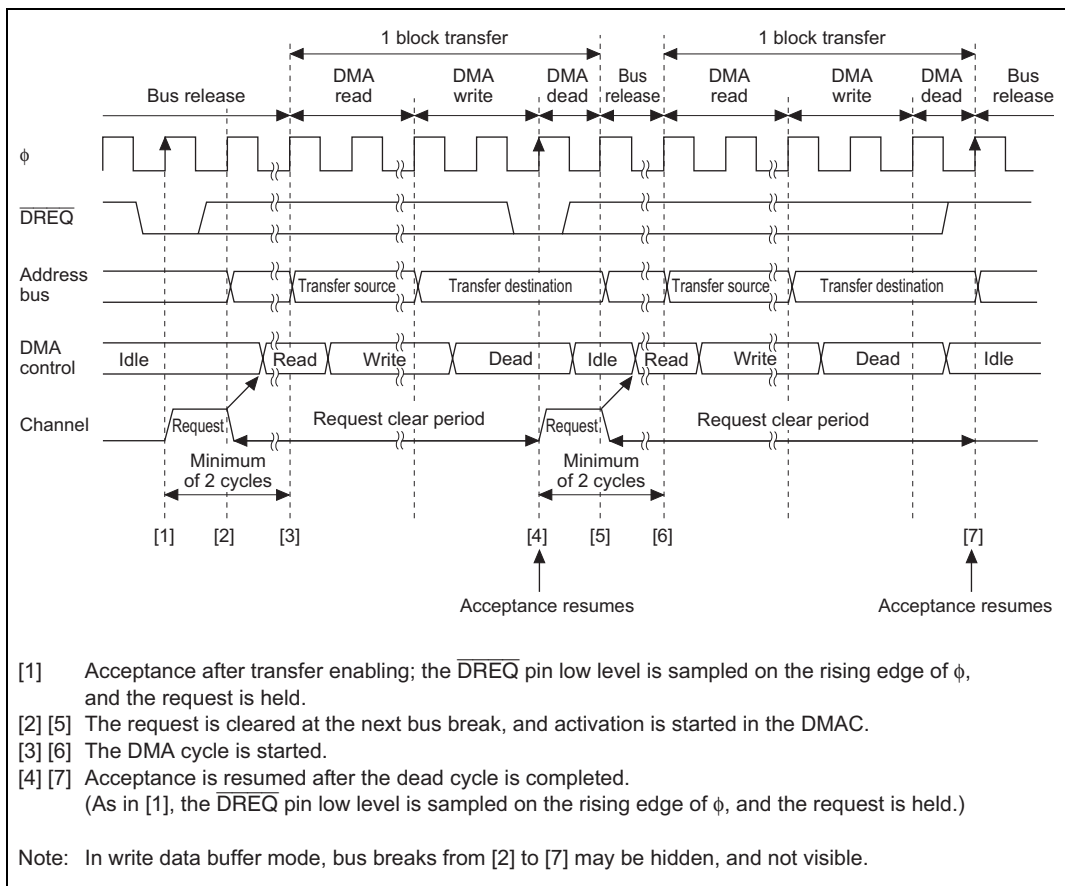


**Figure 7.24 Example of  $\overline{\text{DREQ}}$  Pin Low Level Activated Normal Mode Transfer**

$\overline{\text{DREQ}}$  pin sampling is performed every cycle, with the rising edge of the next  $\phi$  cycle after the end of the DMABCR write cycle for setting the transfer enabled state as the starting point.

When the  $\overline{\text{DREQ}}$  pin low level is sampled while acceptance by means of the  $\overline{\text{DREQ}}$  pin is possible, the request is held in the DMAC. Then, when activation is initiated in the DMAC, the request is cleared. After the end of the write cycle, acceptance resumes,  $\overline{\text{DREQ}}$  pin low level sampling is performed again, and this operation is repeated until the transfer ends.

Figure 7.25 shows an example of block transfer mode transfer activated by  $\overline{\text{DREQ}}$  pin low level.



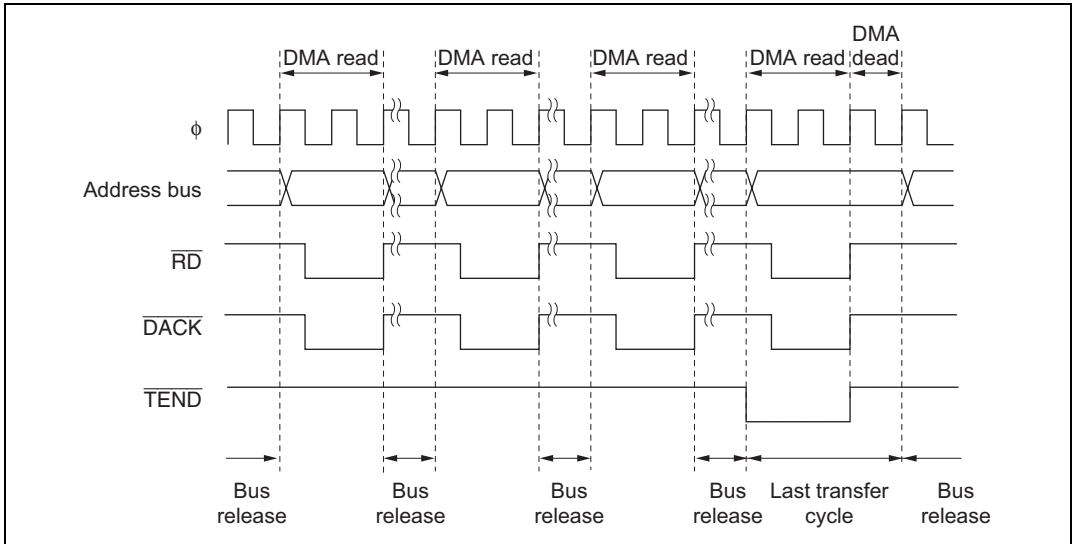
**Figure 7.25 Example of  $\overline{DREQ}$  Pin Low Level Activated Block Transfer Mode Transfer**

$\overline{DREQ}$  pin sampling is performed every cycle, with the rising edge of the next  $\phi$  cycle after the end of the DMABCR write cycle for setting the transfer enabled state as the starting point.

When the  $\overline{DREQ}$  pin low level is sampled while acceptance by means of the  $\overline{DREQ}$  pin is possible, the request is held in the DMAC. Then, when activation is initiated in the DMAC, the request is cleared. After the end of the dead cycle, acceptance resumes,  $\overline{DREQ}$  pin low level sampling is performed again, and this operation is repeated until the transfer ends.

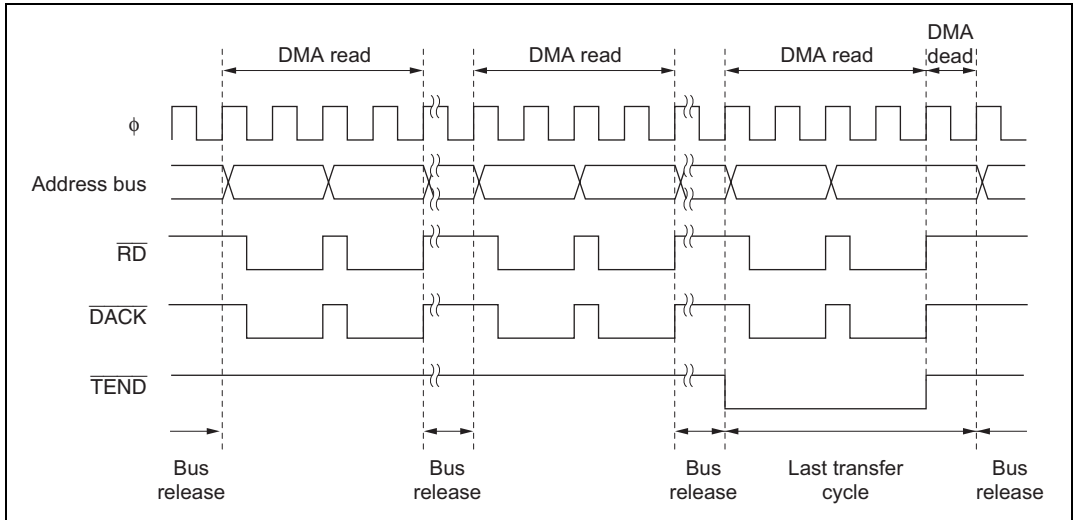
### 7.5.10 DMA Transfer (Single Address Mode) Bus Cycles

**Single Address Mode (Read):** Figure 7.26 shows a transfer example in which  $\overline{\text{TEND}}$  output is enabled and byte-size single address mode transfer (read) is performed from external 8-bit, 2-state access space to an external device.



**Figure 7.26 Example of Single Address Mode Transfer (Byte Read)**

Figure 7.27 shows a transfer example in which  $\overline{\text{TEND}}$  output is enabled and word-size single address mode transfer (read) is performed from external 8-bit, 2-state access space to an external device.

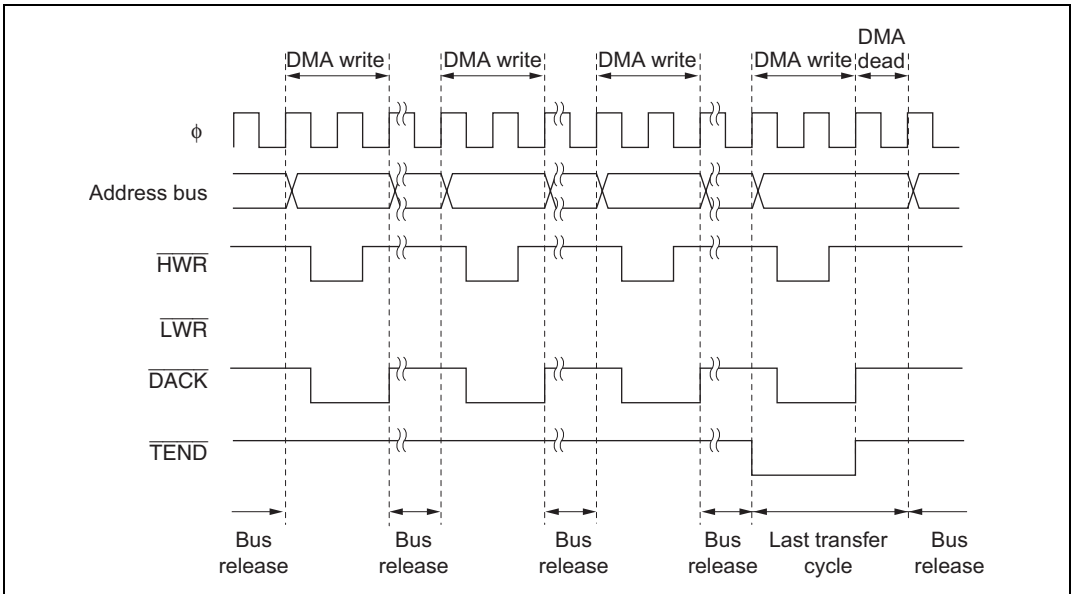


**Figure 7.27 Example of Single Address Mode (Word Read) Transfer**

A byte or word transfer is performed for a single transfer request, and after the transfer, the bus is released. While the bus is released, one or more bus cycles are executed by the CPU or DTC.

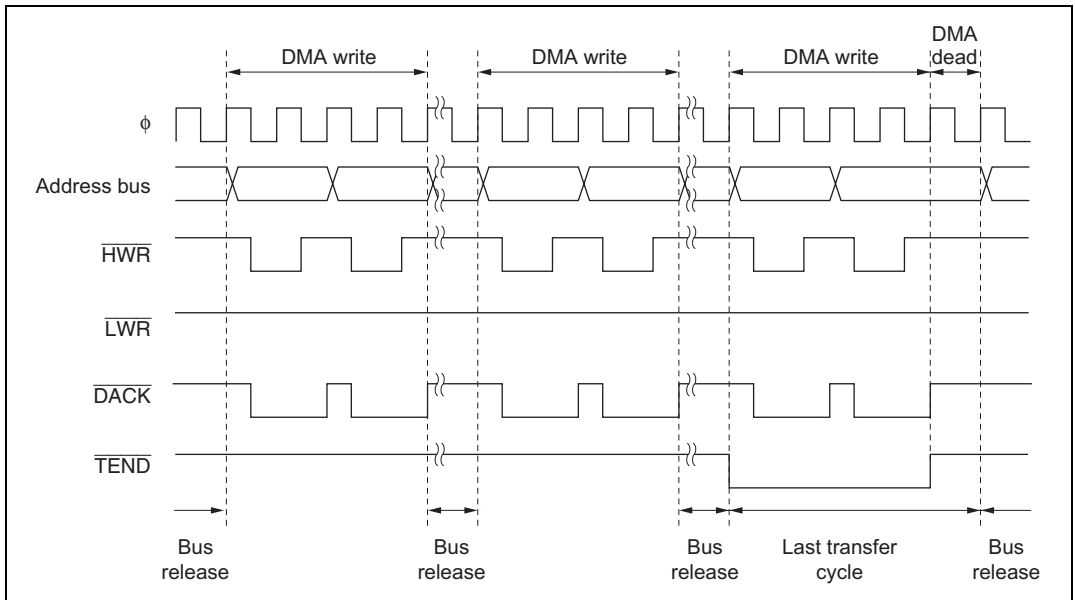
In the transfer end cycle (the cycle in which the transfer counter reaches 0), a one-state DMA dead cycle is inserted after the DMA write cycle.

**Single Address Mode (Write):** Figure 7.28 shows a transfer example in which  $\overline{\text{TEND}}$  output is enabled and byte-size single address mode transfer (write) is performed from an external device to external 8-bit, 2-state access space.



**Figure 7.28 Example of Single Address Mode Transfer (Byte Write)**

Figure 7.29 shows a transfer example in which  $\overline{\text{TEND}}$  output is enabled and word-size single address mode transfer (write) is performed from an external device to external 8-bit, 2-state access space.



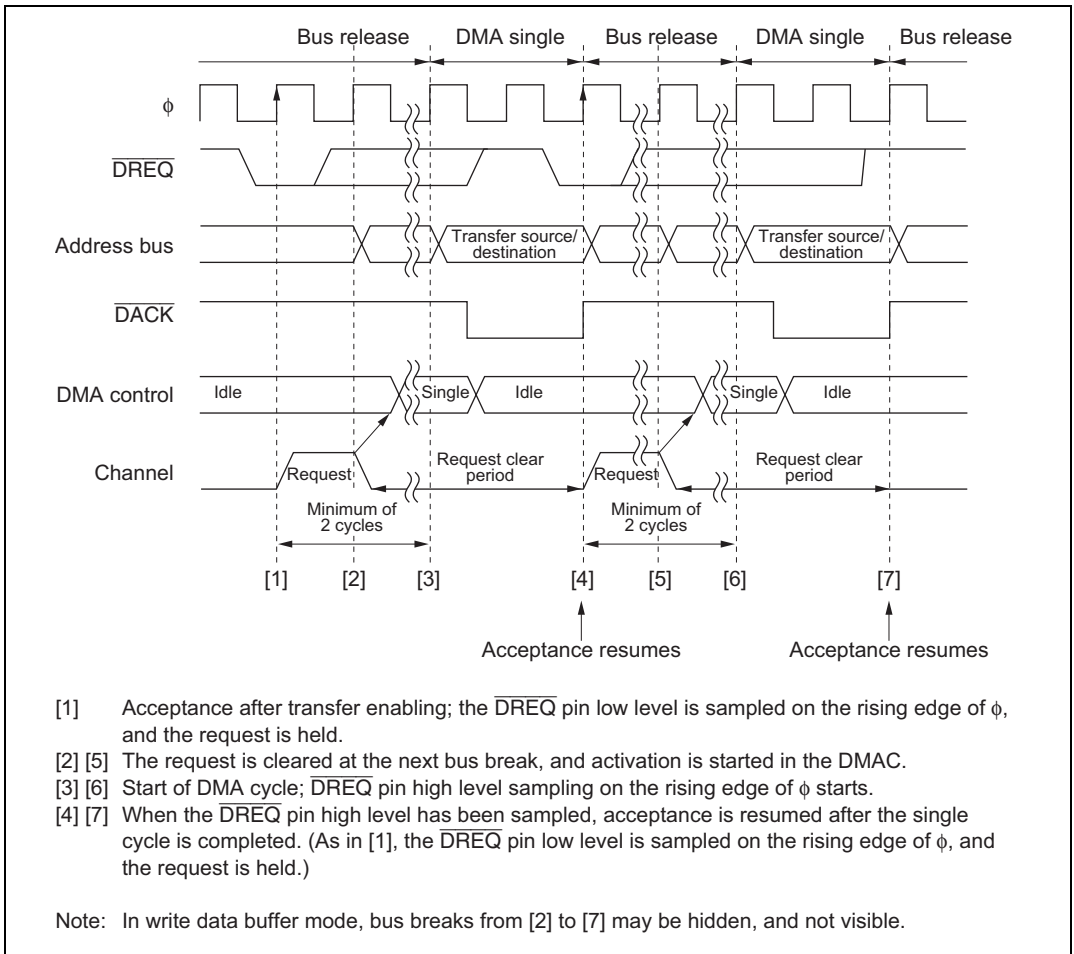
**Figure 7.29 Example of Single Address Mode Transfer (Word Write)**

A byte or word transfer is performed for a single transfer request, and after the transfer, the bus is released. While the bus is released, one or more bus cycles are executed by the CPU or DTC.

In the transfer end cycle (the cycle in which the transfer counter reaches 0), a one-state DMA dead cycle is inserted after the DMA write cycle.

**$\overline{\text{DREQ}}$  Pin Falling Edge Activation Timing:** Set the DTA bit in DMABCRH to 1 for the channel for which the  $\overline{\text{DREQ}}$  pin is selected.

Figure 7.30 shows an example of single address mode transfer activated by the  $\overline{\text{DREQ}}$  pin falling edge.



**Figure 7.30 Example of  $\overline{\text{DREQ}}$  Pin Falling Edge Activated Single Address Mode Transfer**

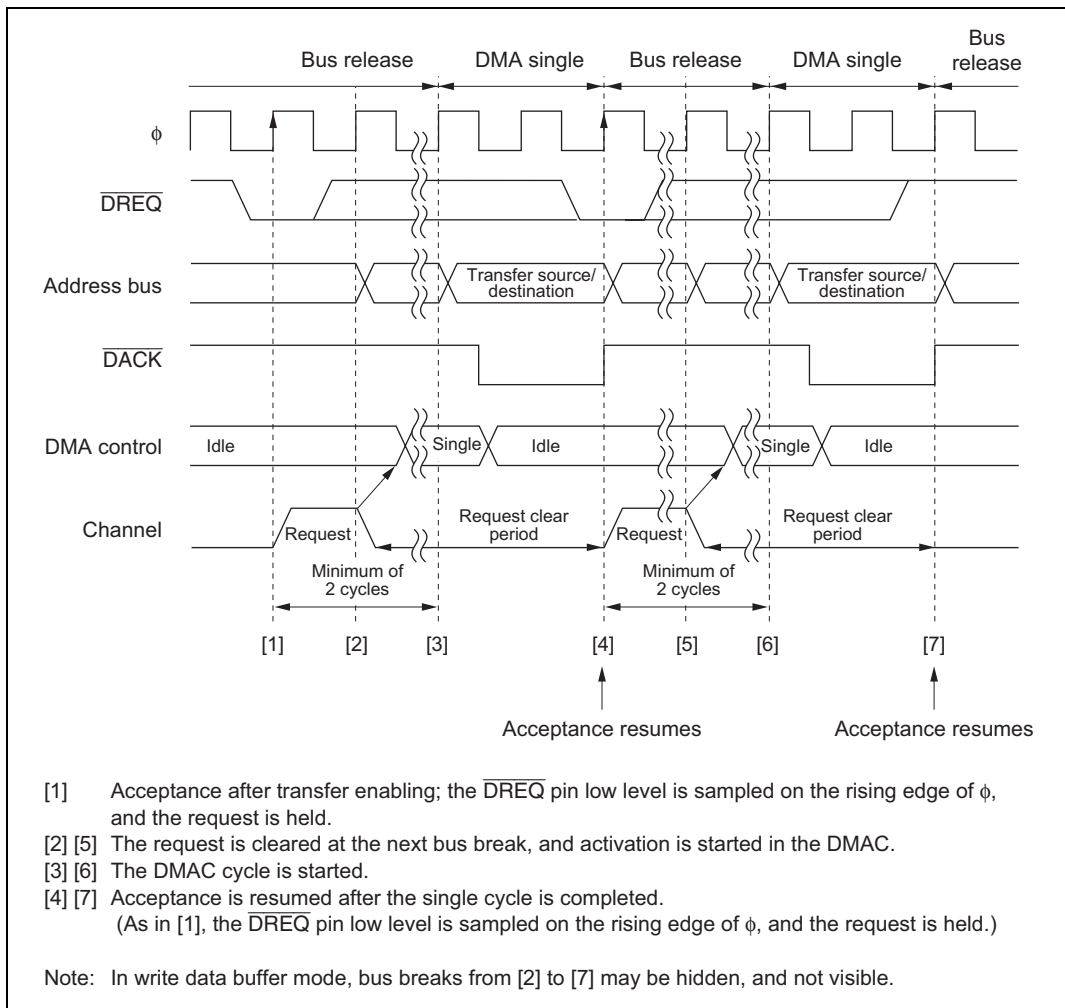
$\overline{\text{DREQ}}$  pin sampling is performed every cycle, with the rising edge of the next  $\phi$  cycle after the end of the DMABCR write cycle for setting the transfer enabled state as the starting point.

When the  $\overline{\text{DREQ}}$  pin low level is sampled while acceptance by means of the  $\overline{\text{DREQ}}$  pin is possible, the request is held in the DMAC. Then, when activation is initiated in the DMAC, the request is cleared, and  $\overline{\text{DREQ}}$  pin high level sampling for edge detection is started. If  $\overline{\text{DREQ}}$  pin high level sampling has been completed by the time the DMA single cycle ends, acceptance resumes after the end of the single cycle,  $\overline{\text{DREQ}}$  pin low level sampling is performed again, and this operation is repeated until the transfer ends.



**$\overline{\text{DREQ}}$  Pin Low Level Activation Timing:** Set the DTA bit in DMABCRH to 1 for the channel for which the  $\overline{\text{DREQ}}$  pin is selected.

Figure 7.31 shows an example of single address mode transfer activated by the  $\overline{\text{DREQ}}$  pin low level.



**Figure 7.31 Example of  $\overline{\text{DREQ}}$  Pin Low Level Activated Single Address Mode Transfer**

$\overline{\text{DREQ}}$  pin sampling is performed every cycle, with the rising edge of the next  $\phi$  cycle after the end of the DMABCR write cycle for setting the transfer enabled state as the starting point.

When the  $\overline{\text{DREQ}}$  pin low level is sampled while acceptance by means of the  $\overline{\text{DREQ}}$  pin is possible, the request is held in the DMAC. Then, when activation is initiated in the DMAC, the request is cleared. After the end of the single cycle, acceptance resumes,  $\overline{\text{DREQ}}$  pin low level sampling is performed again, and this operation is repeated until the transfer ends.

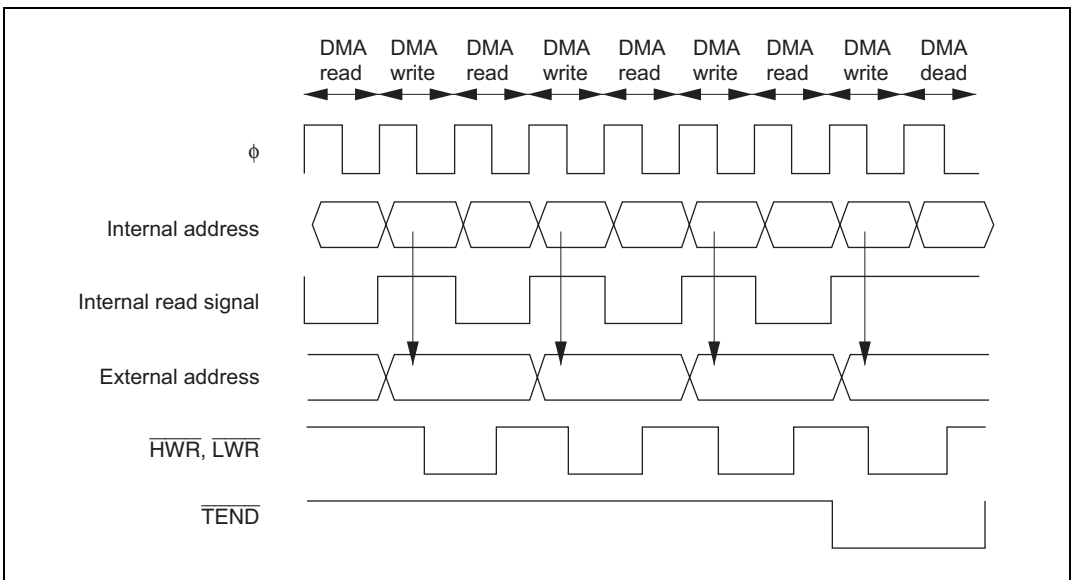
### 7.5.11 Write Data Buffer Function

DMAC internal-to-external dual address transfers and single address transfers can be executed at high speed using the write data buffer function, enabling system throughput to be improved.

When the WDBE bit of BCR in the bus controller is set to 1, enabling the write data buffer function, dual address transfer external write cycles or single address transfer and internal accesses (on-chip memory or internal I/O registers) are executed in parallel. Internal accesses are independent of the bus mastership, and DMAC dead cycles are regarded as internal accesses.

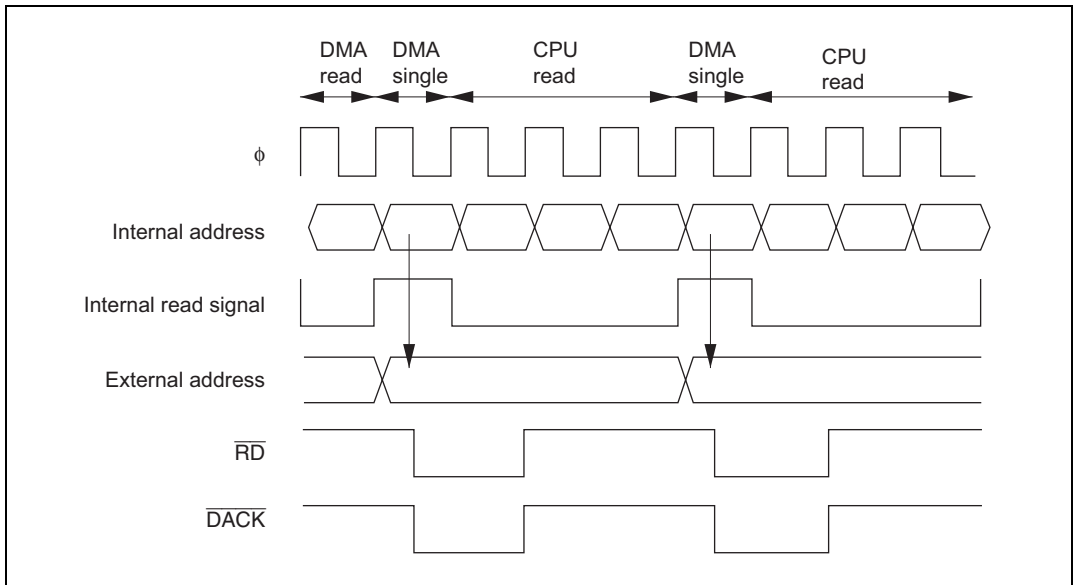
A low level can always be output from the  $\overline{\text{TEND}}$  pin if the bus cycle in which a low level is to be output from the  $\overline{\text{TEND}}$  pin is an external bus cycle. However, a low level is not output from the  $\overline{\text{TEND}}$  pin if the bus cycle in which a low level is to be output from the  $\overline{\text{TEND}}$  pin is an internal bus cycle, and an external write cycle is executed in parallel with this cycle.

Figure 7.32 shows an example of dual address transfer using the write data buffer function. The data is transferred from on-chip RAM to external memory.



**Figure 7.32 Example of Dual Address Transfer Using Write Data Buffer Function**

Figure 7.33 shows an example of single address transfer using the write data buffer function. In this example, the CPU program area is in on-chip memory.



**Figure 7.33 Example of Single Address Transfer Using Write Data Buffer Function**

When the write data buffer function is activated, the DMAC recognizes that the bus cycle concerned has ended, and starts the next operation. Therefore,  $\overline{\text{DREQ}}$  pin sampling is started one state after the start of the DMA write cycle or single address transfer.

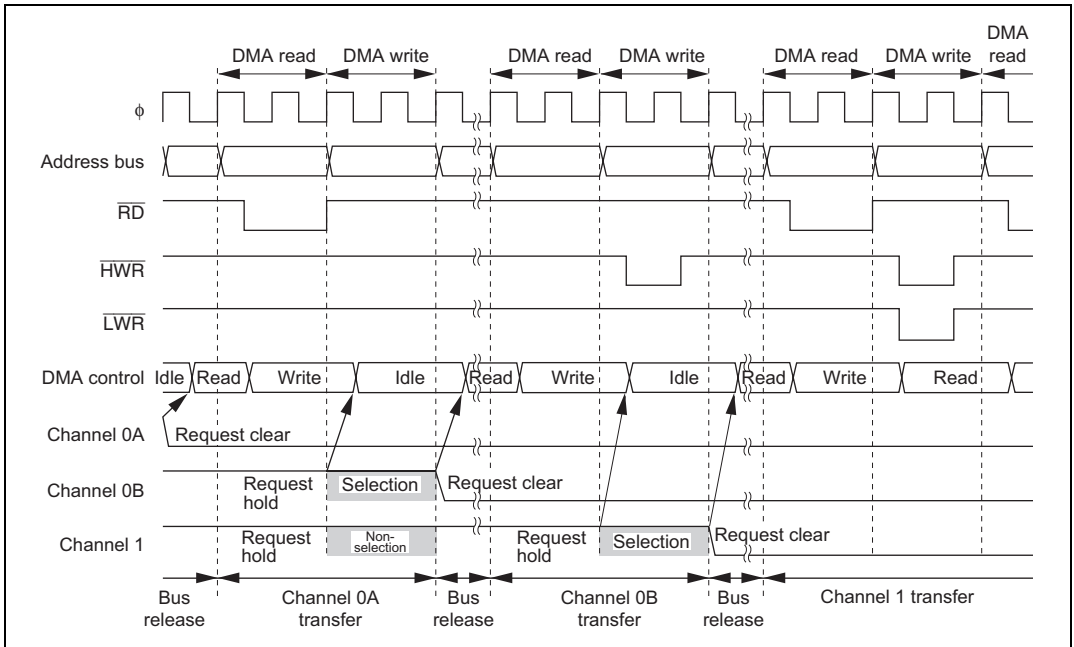
### 7.5.12 Multi-Channel Operation

The DMAC channel priority order is: channel 0 > channel 1, and channel A > channel B. Table 7.11 summarizes the priority order for DMAC channels.

**Table 7.11 DMAC Channel Priority Order**

| Short Address Mode | Full Address Mode | Priority |
|--------------------|-------------------|----------|
| Channel 0A         | Channel 0         | High     |
| Channel 0B         |                   |          |
| Channel 1A         | Channel 1         | Low      |
| Channel 1B         |                   |          |

If transfer requests are issued simultaneously for more than one channel, or if a transfer request for another channel is issued during a transfer, when the bus is released, the DMAC selects the highest-priority channel from among those issuing a request according to the priority order shown in table 7.11. During burst transfer, or when one block is being transferred in block transfer, the channel will not be changed until the end of the transfer. Figure 7.34 shows a transfer example in which transfer requests are issued simultaneously for channels 0A, 0B, and 1.



**Figure 7.34 Example of Multi-Channel Transfer**

### 7.5.13 Relation between DMAC and External Bus Requests, Refresh Cycles, and EXDMAC

When the DMAC accesses external space, contention with a refresh cycle, EXDMAC cycle, or external bus release cycle may arise. In this case, the bus controller will suspend the transfer and insert a refresh cycle, EXDMAC cycle, or external bus release cycle, in accordance with the external bus priority order, even if the DMAC is executing a burst transfer or block transfer. (An external access by the DTC or CPU, which has a lower priority than the DMAC, is not executed until the DMAC releases the external bus.)

When the DMAC transfer mode is dual address mode, the DMAC releases the external bus after an external write cycle. The external read cycle and external write cycle are inseparable, and so the bus cannot be released between these two cycles.

When the DMAC accesses internal space (on-chip memory or an internal I/O register), the DMAC cycle may be executed at the same time as a refresh cycle, EXDMAC cycle, or external bus release cycle.

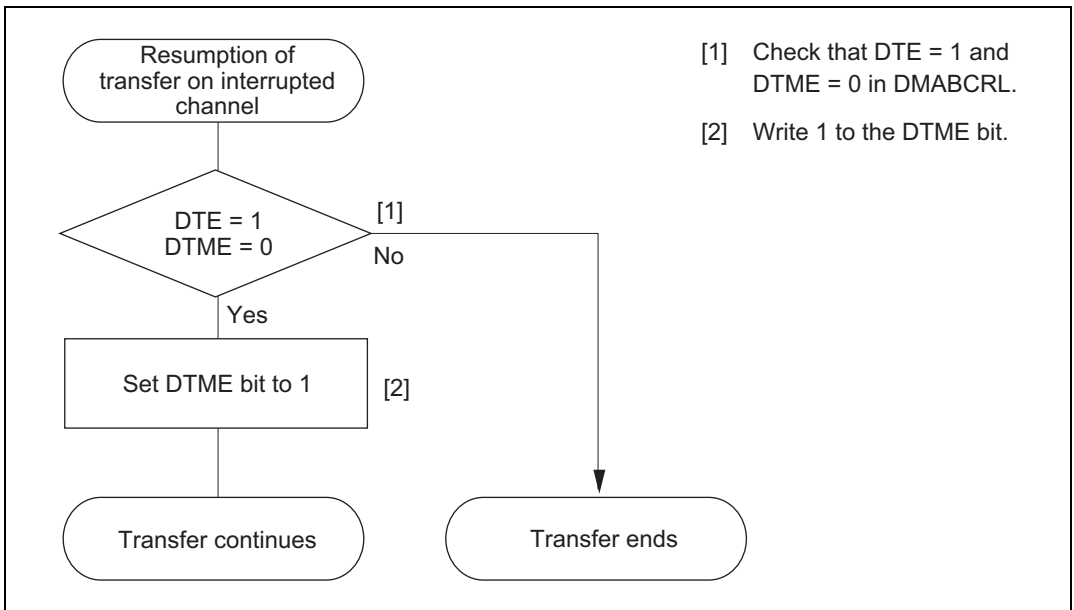
### 7.5.14 DMAC and NMI Interrupts

When an NMI interrupt is requested, burst mode transfer in full address mode is interrupted. An NMI interrupt does not affect the operation of the DMAC in other modes.

In full address mode, transfer is enabled for a channel when both the DTE bit and DTME bit are set to 1. With burst mode setting, the DTME bit is cleared when an NMI interrupt is requested.

If the DTME bit is cleared during burst mode transfer, the DMAC discontinues transfer on completion of the 1-byte or 1-word transfer in progress, then releases the bus, which passes to the CPU.

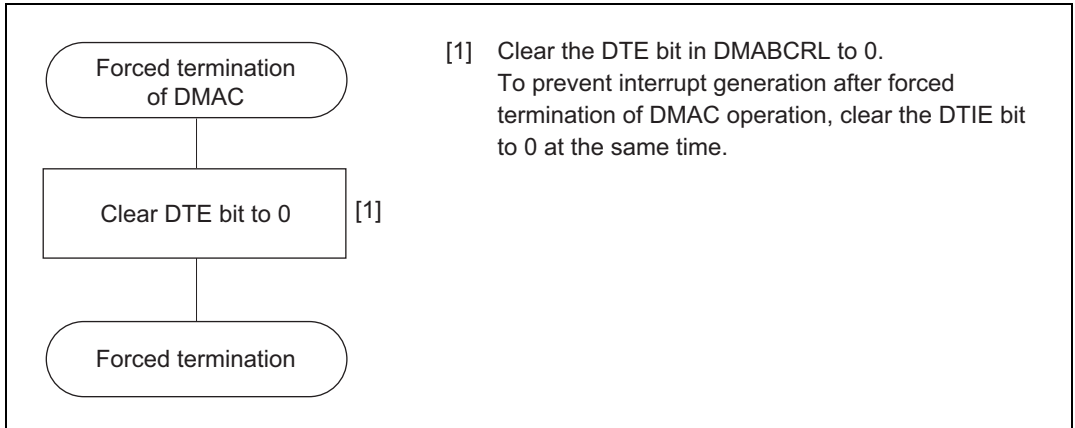
The channel on which transfer was interrupted can be restarted by setting the DTME bit to 1 again. Figure 7.35 shows the procedure for continuing transfer when it has been interrupted by an NMI interrupt on a channel designated for burst mode transfer.



**Figure 7.35 Example of Procedure for Continuing Transfer on Channel Interrupted by NMI Interrupt**

### 7.5.15 Forced Termination of DMAC Operation

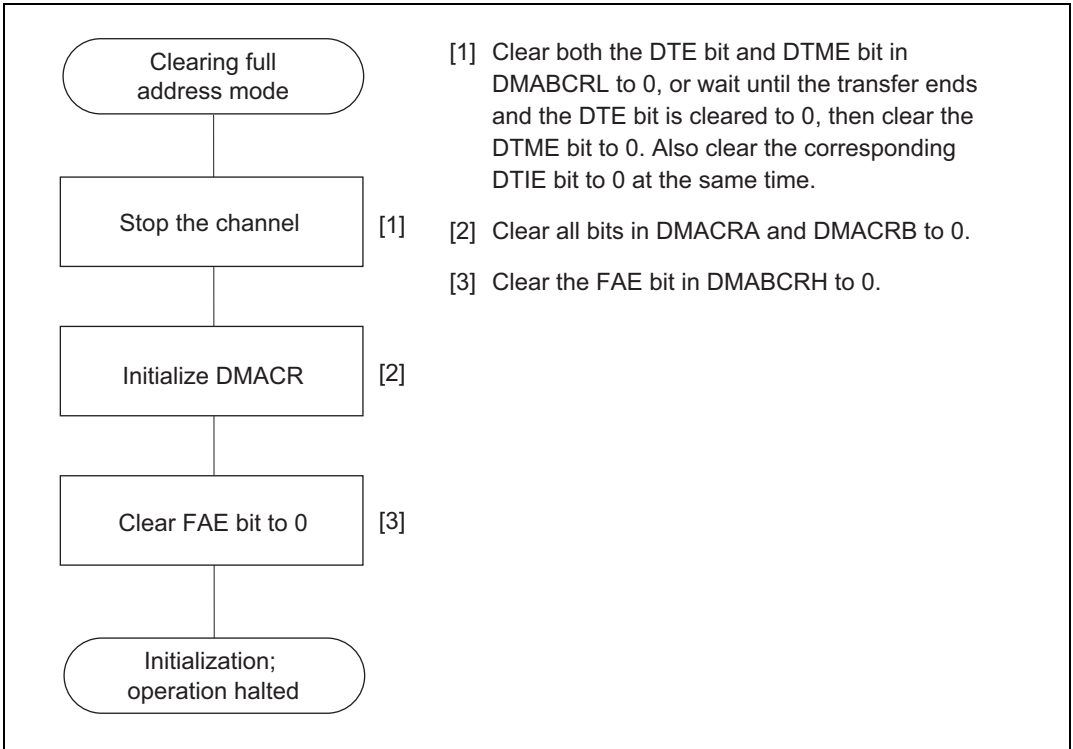
If the DTE bit in DMABCRL is cleared to 0 for the channel currently operating, the DMAC stops on completion of the 1-byte or 1-word transfer in progress. DMAC operation resumes when the DTE bit is set to 1 again. In full address mode, the same applies to the DTME bit in DMABCRL. Figure 7.36 shows the procedure for forcibly terminating DMAC operation by software.



**Figure 7.36 Example of Procedure for Forcibly Terminating DMAC Operation**

### 7.5.16 Clearing Full Address Mode

Figure 7.37 shows the procedure for releasing and initializing a channel designated for full address mode. After full address mode has been cleared, the channel can be set to another transfer mode using the appropriate setting procedure.



**Figure 7.37 Example of Procedure for Clearing Full Address Mode**



## 7.6 Interrupt Sources

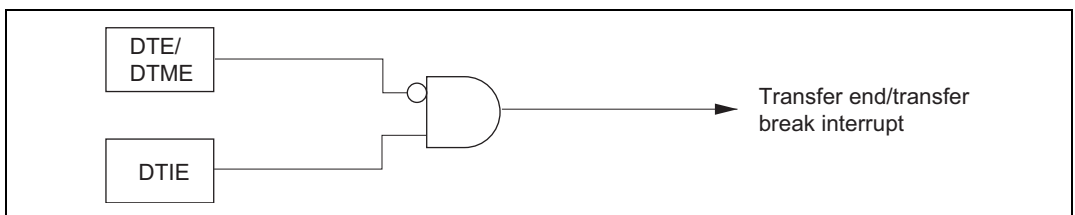
The sources of interrupts generated by the DMAC are transfer end and transfer break. Table 7.12 shows the interrupt sources and their priority order.

**Table 7.12 Interrupt Sources and Priority Order**

| Interrupt Name | Interrupt Source                               |   | Interrupt Priority Order |
|----------------|--|---|--------------------------|
|                | Short Address Mode                             | Full Address Mode                               |                          |
| DMTEND0A       | Interrupt due to end of transfer on channel 0A | Interrupt due to end of transfer on channel 0   | High<br>↑<br>Low         |
| DMTEND0B       | Interrupt due to end of transfer on channel 0B | Interrupt due to break in transfer on channel 0 |                          |
| DMTEND1A       | Interrupt due to end of transfer on channel 1A | Interrupt due to end of transfer on channel 1   |                          |
| DMTEND1B       | Interrupt due to end of transfer on channel 1B | Interrupt due to break in transfer on channel 1 |                          |

Enabling or disabling of each interrupt source is set by means of the DTIE bit in DMABCRL for the corresponding channel in DMABCRL, and interrupts from each source are sent to the interrupt controller independently. The priority of transfer end interrupts on each channel is decided by the interrupt controller, as shown in table 7.12.

Figure 7.38 shows a block diagram of a transfer end/transfer break interrupt. An interrupt is always generated when the DTIE bit is set to 1 while the DTE bit in DMABCRL is cleared to 0.



**Figure 7.38 Block Diagram of Transfer End/Transfer Break Interrupt**

In full address mode, a transfer break interrupt is generated when the DTME bit is cleared to 0 while the DTIEB bit is set to 1. In both short address mode and full address mode, DMABCRL should be set so as to prevent the occurrence of a combination that constitutes a condition for interrupt generation during setting.

## 7.7 Usage Notes

### 7.7.1 DMAC Register Access during Operation

Except for forced termination of the DMAC, the operating (including transfer waiting state) channel setting should not be changed. The operating channel setting should only be changed when transfer is disabled. Also, DMAC registers should not be written to in a DMA transfer.

DMAC register reads during operation (including the transfer waiting state) are described below.

- DMAC control starts one cycle before the bus cycle, with output of the internal address. Consequently, MAR is updated in the bus cycle before DMA transfer. Figure 7.39 shows an example of the update timing for DMAC registers in dual address transfer mode.

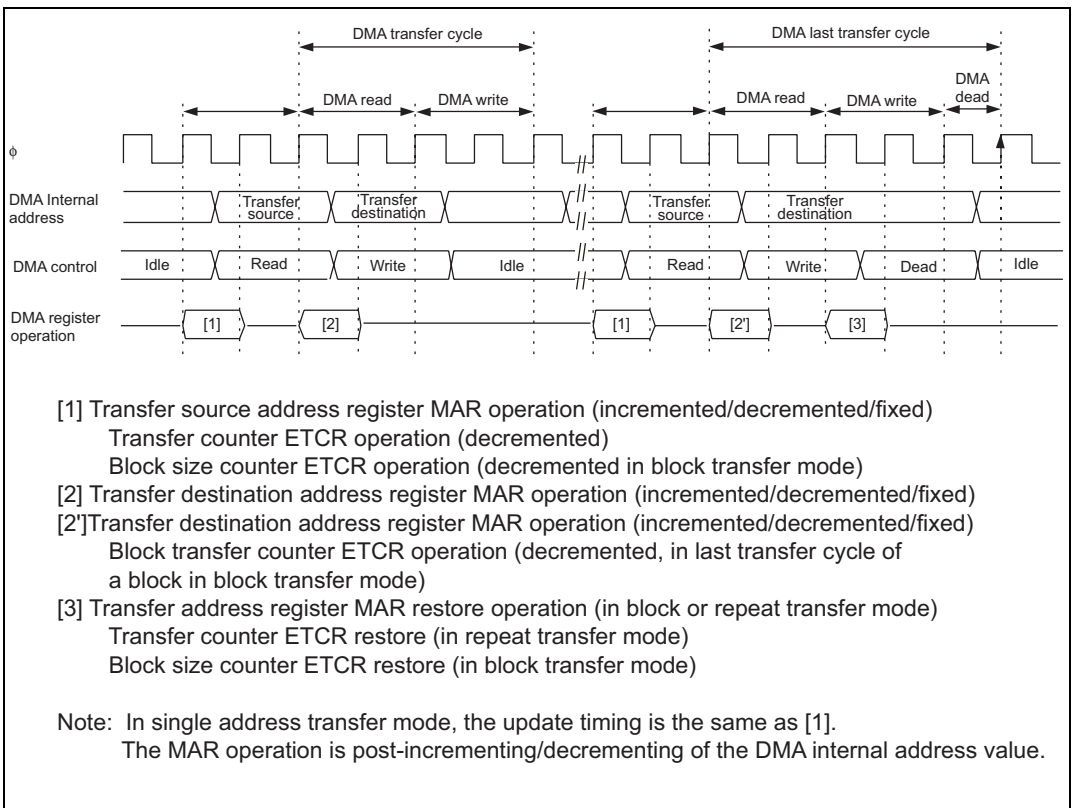
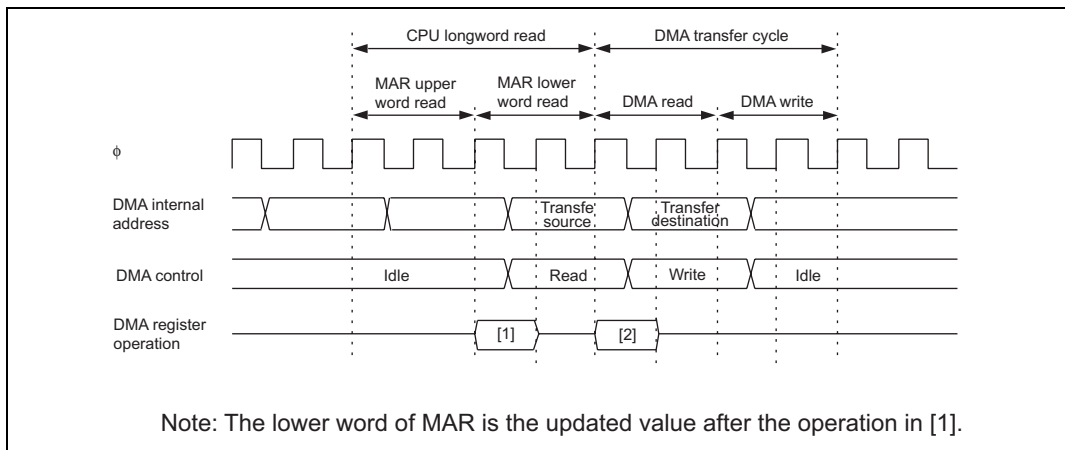


Figure 7.39 DMAC Register Update Timing

- If a DMAC transfer cycle occurs immediately after a DMAC register read cycle, the DMAC register is read as shown in figure 7.40.



**Figure 7.40 Contention between DMAC Register Update and CPU Read**

### 7.7.2 Module Stop

When the MSTP13 bit in MSTPCR is set to 1, the DMAC clock stops, and the module stop state is entered. However, 1 cannot be written to the MSTP13 bit if any of the DMAC channels is enabled. This setting should therefore be made when DMAC operation is stopped.

When the DMAC clock stops, DMAC register accesses can no longer be made. Since the following DMAC register settings are valid even in the module stop state, they should be invalidated, if necessary, before a module stop.

- Transfer end/break interrupt (DTE = 0 and DTIE = 1)
- $\overline{\text{TEND}}$  pin enable (TEE = 1)
- $\overline{\text{DACK}}$  pin enable (FAE = 0 and SAE = 1)

### 7.7.3 Write Data Buffer Function

When the WDBE bit of BCR in the bus controller is set to 1, enabling the write data buffer function, dual address transfer external write cycles or single address transfers and internal accesses (on-chip memory or internal I/O registers) are executed in parallel.

- Write data buffer function and DMAC register setting

If the setting of a register that controls external accesses is changed during execution of an external access by means of the write data buffer function, the external access may not be performed normally. Registers that control external accesses should only be manipulated when external reads, etc., are used with DMAC operation disabled, and the operation is not performed in parallel with external access.

- Write data buffer function and DMAC operation timing

The DMAC can start its next operation during external access using the write data buffer function. Consequently, the  $\overline{\text{DREQ}}$  pin sampling timing,  $\overline{\text{TEND}}$  output timing, etc., are different from the case in which the write data buffer function is disabled. Also, internal bus cycles maybe hidden, and not visible.

### 7.7.4 $\overline{\text{TEND}}$ Output

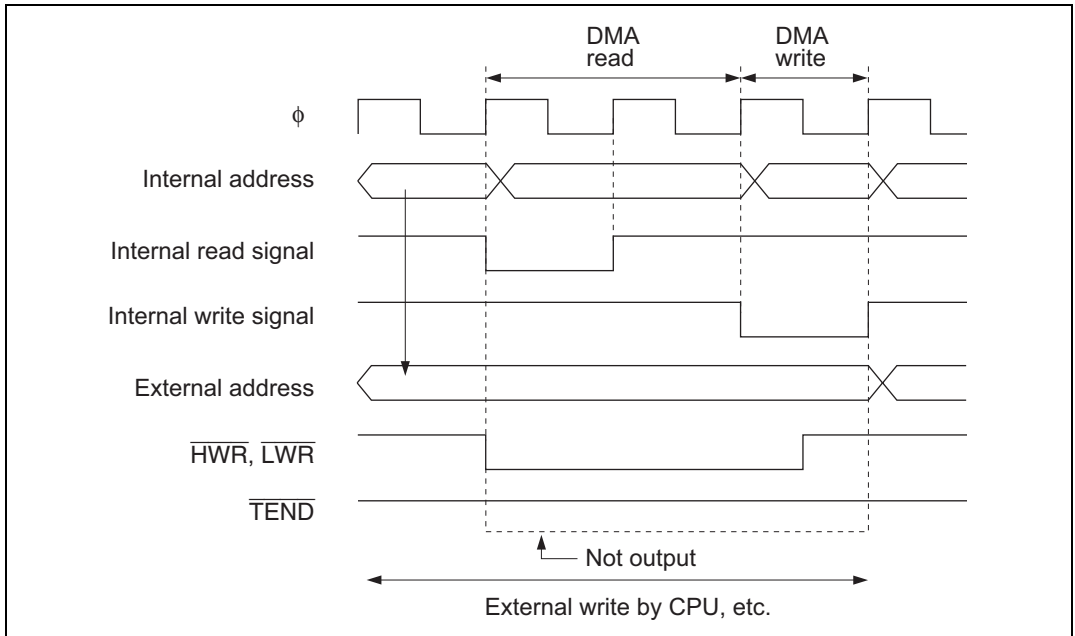
If the last transfer cycle is for an internal address, note that even if low-level output at the  $\overline{\text{TEND}}$  pin has been set, a low level may not be output at the  $\overline{\text{TEND}}$  pin under the following external bus conditions since the last transfer cycle (internal bus cycle) and the external bus cycle are executed in parallel.

1. EXDMAC cycle
2. Write cycle with write buffer mode enabled
3. DMAC single address cycle for a different channel with write buffer mode enabled
4. Bus release cycle
5. CBR refresh cycle

Figure 7.41 shows an example in which a low level is not output from the  $\overline{\text{TEND}}$  pin in case 2 above.

If the last transfer cycle is an external address cycle, a low level is output at the  $\overline{\text{TEND}}$  pin in synchronization with the bus cycle.

However, if the last transfer cycle and a CBR refresh occur simultaneously, note that although the CBR refresh and the last transfer cycle may be executed consecutively,  $\overline{TEND}$  may also go low in this case for the refresh cycle.



**Figure 7.41 Example in which Low Level Is Not Output at  $\overline{TEND}$  Pin**

### 7.7.5 Activation by Falling Edge on $\overline{DREQ}$ Pin

$\overline{DREQ}$  pin falling edge detection is performed in synchronization with DMAC internal operations. The operation is as follows:

- [1] Activation request wait state: Waits for detection of a low level on the  $\overline{DREQ}$  pin, and switches to [2].
- [2] Transfer wait state: Waits for DMAC data transfer to become possible, and switches to [3].
- [3] Activation request disabled state: Waits for detection of a high level on the  $\overline{DREQ}$  pin, and switches to [1].

After DMAC transfer is enabled, a transition is made to [1]. Thus, initial activation after transfer is enabled is performed on detection of a low level.

### 7.7.6 Activation Source Acceptance

At the start of activation source acceptance, a low level is detected in both  $\overline{\text{DREQ}}$  pin falling edge sensing and low level sensing. Similarly, in the case of an internal interrupt, the interrupt request is detected. Therefore, a request is accepted from an internal interrupt or  $\overline{\text{DREQ}}$  pin low level that occurs before write to DMABCRL to enable transfer.

When the DMAC is activated, take any necessary steps to prevent an internal interrupt or  $\overline{\text{DREQ}}$  pin low level remaining from the end of the previous transfer, etc.

### 7.7.7 Internal Interrupt after End of Transfer

When the DTE bit in DMABCRL is cleared to 0 at the end of a transfer or by a forcible termination, the selected internal interrupt request will be sent to the CPU or DTC even if the DTA bit in DMABCRH is set to 1.

Also, if internal DMAC activation has already been initiated when operation is forcibly terminated, the transfer is executed but flag clearing is not performed for the selected internal interrupt even if the DTA bit is set to 1.

An internal interrupt request following the end of transfer or a forcible termination should be handled by the CPU as necessary.

### 7.7.8 Channel Re-Setting

To reactivate a number of channels when multiple channels are enabled, use exclusive handling of transfer end interrupts, and perform DMABCR control bit operations exclusively.

Note, in particular, that in cases where multiple interrupts are generated between reading and writing of DMABCR, and a DMABCR operation is performed during new interrupt handling, the DMABCR write data in the original interrupt handling routine will be incorrect, and the write may invalidate the results of the operations by the multiple interrupts. Ensure that overlapping DMABCR operations are not performed by multiple interrupts, and that there is no separation between read and write operations by the use of a bit-manipulation instruction.

Also, when the DTE and DTME bits are cleared by the DMAC or are written with 0, they must first be read while cleared to 0 before the CPU can write 1 to them.

## Section 8 EXDMA Controller (EXDMAC)

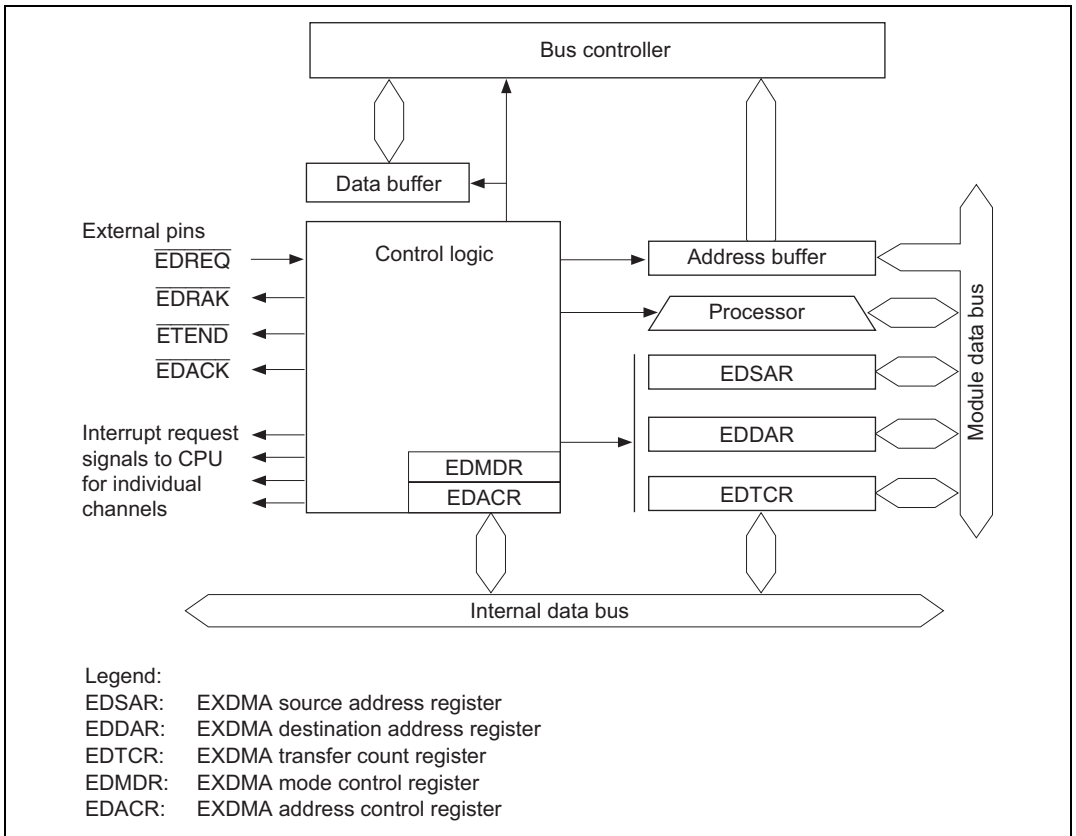
This LSI has a built-in dual-channel external bus transfer DMA controller (EXDMAC). The EXDMAC can carry out high-speed data transfer, in place of the CPU, to and from external devices and external memory with a  $\overline{\text{DACK}}$  (DMA transfer notification) facility.

### 8.1 Features

- Direct specification of 16-Mbyte address space
- Selection of byte or word transfer data length
- Maximum number of transfers: 16M (16,777,215)/infinite (free-running)
- Selection of dual address mode or single address mode
- Selection of cycle steal mode or burst mode as bus mode
- Selection of normal mode or block transfer mode as transfer mode
- Two kinds of transfer requests: external request and auto-request
- An interrupt request can be sent to the CPU at the end of the specified number of transfers.
- Repeat area designation function:
- Operation in parallel with internal bus master:
- Acceptance of a transfer request and the start of transfer processing can be reported to an external device via the  $\overline{\text{EDRAK}}$  pin.
- Module stop mode can be set.

Note: This EXDMAC is not supported by the H8S/2375, H8S/2375R, H8S/2373, and H8S/2373R.

Figure 8.1 shows a block diagram of the EXDMAC.



**Figure 8.1 Block Diagram of EXDMAC**



## 8.2 Input/Output Pins

Table 8.1 shows the pin configuration of the EXDMAC.

**Table 8.1 Pin Configuration**

| Channel | Name  | Abbreviation               | I/O    | Function  |
|---------|---|----------------------------|--------|---|
| 2       | EXDMA transfer request 2                          | $\overline{\text{EDREQ2}}$ | Input  | Channel 2 external request  |
|         | EXDMA transfer acknowledge 2                      | $\overline{\text{EDACK2}}$ | Output | Channel 2 single address transfer acknowledge   |
|         | EXDMA transfer end 2                              | $\overline{\text{ETEND2}}$ | Output | Channel 2 transfer end  |
|         | $\overline{\text{EDREQ2}}$ acceptance acknowledge | $\overline{\text{EDRAK2}}$ | Output | Notification to external device of channel 2 external request acceptance and start of transfer processing |
| 3       | EXDMA transfer request 3                          | $\overline{\text{EDREQ3}}$ | Input  | Channel 3 external request  |
|         | EXDMA transfer acknowledge 3                      | $\overline{\text{EDACK3}}$ | Output | Channel 3 single address transfer acknowledge   |
|         | EXDMA transfer end 3                              | $\overline{\text{ETEND3}}$ | Output | Channel 3 transfer end  |
|         | $\overline{\text{EDREQ3}}$ acceptance acknowledge | $\overline{\text{EDRAK3}}$ | Output | Notification to external device of channel 3 external request acceptance and start of transfer processing |

## 8.3 Register Descriptions

The EXDMAC has the following registers.

- EXDMA source address register\_2 (EDSAR\_2)
- EXDMA destination address register\_2 (EDDAR\_2)
- EXDMA transfer count register\_2 (EDTCR\_2)
- EXDMA mode control register\_2 (EDMDR\_2)
- EXDMA address control register\_2 (EDACR\_2)
- EXDMA source address register\_3 (EDSAR\_3)
- EXDMA destination address register\_3 (EDDAR\_3)
- EXDMA transfer count register\_3 (EDTCR\_3)
- EXDMA mode control register\_3 (EDMDR\_3)
- EXDMA address control register\_3 (EDACR\_3)

### 8.3.1 EXDMA Source Address Register (EDSAR)

EDSAR is a 32-bit readable/writable register that specifies the transfer source address. An address update function is provided that updates the register contents to the next transfer source address each time transfer processing is performed. In single address mode, the EDSAR value is ignored when a device with  $\overline{\text{DACK}}$  is specified as the transfer source.

The upper 8 bits of EDSAR are reserved; they are always read as 0 and cannot be modified. Only 0 should be written to these bits.

EDSAR can be read at all times by the CPU. When reading EDSAR for a channel on which EXDMA transfer processing is in progress, a longword-size read must be executed. Do not write to EDSAR for a channel on which EXDMA transfer is in progress. The initial values of EDSAR are undefined.

### 8.3.2 EXDMA Destination Address Register (EDDAR)

EDDAR is a 32-bit readable/writable register that specifies the transfer destination address. An address update function is provided that updates the register contents to the next transfer destination address each time transfer processing is performed. In single address mode, the EDDAR value is ignored when a device with  $\overline{\text{DACK}}$  is specified as the transfer destination.

The upper 8 bits of EDDAR are reserved; they are always read as 0 and cannot be modified. Only 0 should be written to these bits.

EDDAR can be read at all times by the CPU. When reading EDDAR for a channel on which EXDMA transfer processing is in progress, a longword-size read must be executed. Do not write to EDDAR for a channel on which EXDMA transfer is in progress. The initial values of EDDAR are undefined.

### 8.3.3 EXDMA Transfer Count Register (EDTCR)

EDTCR specifies the number of transfers. The function differs according to the transfer mode. Do not write to EDTCR for a channel on which EXDMA transfer is in progress.

#### Normal Transfer Mode:

| Bit            | Bit Name | Initial Value | R/W | Description   |
|----------------|----------|---------------|-----|---|
| 31<br>to<br>24 | —        | All 0         | —   | Reserved<br>These bits are always read as 0 and cannot be modified.   |
| 23<br>to<br>0  |          | All 0         | R/W | 24-Bit Transfer Counter<br>These bits specify the number of transfers. Setting H'000001 specifies one transfer. Setting H'000000 means no specification for the number of transfers, and the transfer counter function is halted. In this case, there is no transfer end interrupt by the transfer counter. Setting H'FFFFFF specifies the maximum number of transfers, that is 16,777,215. During EXDMA transfer, this counter shows the remaining number of transfers.<br><br>This counter can be read at all times. When reading EDTCR for a channel on which EXDMA transfer processing is in progress, a longword-size read must be executed. |

**Block Transfer Mode:**

| Bit            | Bit Name | Initial Value | R/W | Description  |
|----------------|----------|---------------|-----|--|
| 31<br>to<br>24 | —        | All 0         | —   | Reserved<br>These bits are always read as 0 and cannot be modified.  |
| 23<br>to<br>16 |          | Undefined     | R/W | Block Size<br>These bits specify the block size (number of bytes or number of words) for block transfer. Setting H'01 specifies one as the block, while setting H'00 specifies the maximum block size, that is 256. The register value always indicates the specified block size.  |
| 15<br>to<br>0  |          | Undefined     | R/W | 16-Bit Transfer Counter<br>These bits specify the number of block transfers. Setting H'0001 specifies one block transfer. Setting H'0000 means no specification for the number of transfers, and the transfer counter function is halted. In this case, there is no transfer end interrupt by the transfer counter. Setting H'FFFF specifies the maximum number of block transfers, that is 65,535. During EXDMA transfer, this counter shows the remaining number of block transfers. |

### 8.3.4 EXDMA Mode Control Register (EDMDR)

EDMDR controls EXDMAC operations.

| Bit | Bit Name | Initial Value | R/W   | Description  |
|-----|----------|---------------|-------|--|
| 15  | EDA      | 0             | R/(W) | <p>EXDMA Active</p> <p>Enables or disables data transfer on the corresponding channel. When this bit is set to 1, this indicates that an EXDMA operation is in progress.</p> <p>When auto request mode is specified (by bits MDS1 and MDS0), transfer processing begins when this bit is set to 1. With external requests, transfer processing begins when a transfer request is issued after this bit has been set to 1. When this bit is cleared to 0 during an EXDMA operation, transfer is halted. If this bit is cleared to 0 during an EXDMA operation in block transfer mode, transfer processing is continued for the currently executing one-block transfer, and the bit is cleared on completion of the currently executing one-block transfer.</p> <p>If an external source that ends (aborts) transfer occurs, this bit is automatically cleared to 0 and transfer is terminated. Do not change the operating mode, transfer method, or other parameters while this bit is set to 1.</p> <p>0: Data transfer disabled on corresponding channel<br/>[Clearing conditions]</p> <ul style="list-style-type: none"> <li>• When the specified number of transfers end</li> <li>• When operation is halted by a repeat area overflow interrupt</li> <li>• When 0 is written to EDA while EDA = 1<br/>(In block transfer mode, write is effective after end of one-block transfer)</li> <li>• Reset, NMI interrupt, hardware standby mode</li> </ul> <p>1: Data transfer enabled on corresponding channel</p> <p>Note: The value written in the EDA bit may not be effective immediately.</p> |

| Bit | Bit Name | Initial Value | R/W    | Description  |
|-----|----------|---------------|--------|--|
| 14  | BEF      | 0             | R/(W)* | <p>Block Transfer Error Flag</p> <p>Flag that indicates the occurrence of an error during block transfer. If an NMI interrupt is generated during block transfer, the EXDMAC immediately terminates the EXDMA operation and sets this bit to 1. The address registers indicate the next transfer addresses, but the data for which transfer has been performed within the block size is lost.</p> <p>0: No block transfer error<br/>[Clearing condition]<br/>Writing 0 to BEF after reading BEF = 1</p> <p>1: Block transfer error<br/>[Setting condition]<br/>NMI interrupt during block transfer</p> |
| 13  | EDRAKE   | 0             | R/W    | <p><math>\overline{\text{EDRAK}}</math> Pin Output Enable</p> <p>Enables output from the <math>\overline{\text{EDREQ}}</math> acknowledge/transfer processing start (<math>\overline{\text{EDRAK}}</math>) pin.</p> <p>0: <math>\overline{\text{EDRAK}}</math> pin output disabled<br/>1: <math>\overline{\text{EDRAK}}</math> pin output enabled</p>  |
| 12  | ETENDE   | 0             | R/W    | <p><math>\overline{\text{ETEND}}</math> Pin Output Enable</p> <p>Enables output from the EXDMA transfer end (<math>\overline{\text{ETEND}}</math>) pin.</p> <p>0: <math>\overline{\text{ETEND}}</math> pin output disabled<br/>1: <math>\overline{\text{ETEND}}</math> pin output enabled</p>  |
| 11  | EDREQS   | 0             | R/W    | <p><math>\overline{\text{EDREQ}}</math> Select</p> <p>Specifies low level sensing or falling edge sensing as the sampling method for the <math>\overline{\text{EDREQ}}</math> pin used in external request mode.</p> <p>0: Low level sensing (Low level sensing is used for the first transfer after transfer is enabled.)<br/>1: Falling edge sensing</p>   |

| Bit | Bit Name | Initial Value | R/W | Description  |
|-----|----------|---------------|-----|--|
| 10  | AMS      | 0             | R/W | <p>Address Mode Select</p> <p>Selects single address mode or dual address mode. When single address mode is selected, the <math>\overline{\text{EDACK}}</math> pin is valid.</p> <p>0: Dual address mode<br/>1: Single address mode</p>  |
| 9   | MDS1     | 0             | R/W | <p>Mode Select 1 and 0</p> <p>These bits specify the activation source, bus mode, and transfer mode.</p> <p>00: Auto request, cycle steal mode, normal transfer mode<br/>01: Auto request, burst mode, normal transfer mode<br/>10: External request, cycle steal mode, normal transfer mode<br/>11: External request, cycle steal mode, block transfer mode</p> |
| 8   | MDS0     | 0             | R/W |  |
| 7   | EDIE     | 0             | R/W | <p>EXDMA Interrupt Enable</p> <p>Enables or disables interrupt requests. When this bit is set to 1, an interrupt is requested when the IRF bit is set to 1. The interrupt request is cleared by clearing this bit or the IRF bit to 0.</p> <p>0: Interrupt request is not generated<br/>1: Interrupt request is generated</p>                                    |

| Bit | Bit Name | Initial Value | R/W    | Description   |
|-----|----------|---------------|--------|---|
| 6   | IRF      | 0             | R/(W)* | <p>Interrupt Request Flag</p> <p>Flag indicating that an interrupt request has occurred and transfer has ended.</p> <p>0: No interrupt request</p> <p>[Clearing conditions]</p> <ul style="list-style-type: none"> <li>• Writing 1 to the EDA bit</li> <li>• Writing 0 to IRF after reading IRF = 1</li> </ul> <p>1: Interrupt request occurrence</p> <p>[Setting conditions]</p> <ul style="list-style-type: none"> <li>• Transfer end interrupt request generated by transfer counter</li> <li>• Source address repeat area overflow interrupt request</li> <li>• Destination address repeat area overflow interrupt request</li> </ul> |
| 5   | TCEIE    | 0             | R/W    | <p>Transfer Counter End Interrupt Enable</p> <p>Enables or disables transfer end interrupt requests by the transfer counter. When transfer ends according to the transfer counter while this bit is set to 1, the IRF bit is set to 1, indicating that an interrupt request has occurred.</p> <p>0: Transfer end interrupt requests by transfer counter are disabled</p> <p>1: Transfer end interrupt requests by transfer counter are enabled</p>  |
| 4   | SDIR     | 0             | R/W    | <p>Single Address Direction</p> <p>Specifies the data transfer direction in single address mode. In dual address mode, the specification by this bit is ignored.</p> <p>0: Transfer direction: EDSAR → external device with <math>\overline{\text{DACK}}</math></p> <p>1: Transfer direction: External device with <math>\text{DACK} \rightarrow \text{EDDAR}</math></p>  |



| Bit  | Bit Name | Initial Value | R/W | Description   |
|------|----------|---------------|-----|---|
| 3    | DTSIZE   | 0             | R/W | Data Transmit Size<br>Specifies the size of data to be transferred.<br>0: Byte-size<br>1: Word-size   |
| 2    | BGUP     | 0             | R/W | Bus Give-Up<br>When this bit is set to 1, the bus can be transferred to an internal bus master in burst mode or block transfer mode. This setting is ignored in normal mode and cycle steal mode.<br>0: Bus is not released<br>1: Bus is transferred if requested by an internal bus master |
| 1, 0 | —        | All 0         | R/W | Reserved<br>These bits are always read as 0. The initial values should not be modified.   |

Note: \* Only 0 can be written, to clear the flag.

### 8.3.5 EXDMA Address Control Register (EDACR)

EDACR specifies address register incrementing/decrementing and use of the repeat area function.

| Bit | Bit Name | Initial Value | R/W | Description  |
|-----|----------|---------------|-----|--|
| 15  | SAT1     | 0             | R/W | Source Address Update Mode   |
| 14  | SAT0     | 0             | R/W | <p>These bits specify incrementing/decrementing of the transfer source address (EDSAR). When an external device with <math>\overline{\text{DACK}}</math> is designated as the transfer source in single address mode, the specification by these bits is ignored.</p> <p>0x: Fixed</p> <p>10: Incremented (+1 in byte transfer, +2 in word transfer)</p> <p>11: Decrementd (-1 in byte transfer, -2 in word transfer)</p>  |
| 13  | SARIE    | 0             | R/W | <p>Source Address Repeat Interrupt Enable</p> <p>When this bit is set to 1, in the event of source address repeat area overflow, the IRF bit is set to 1 and the EDA bit cleared to 0 in EDMDR, and transfer is terminated. If the EDIE bit in EDMDR is 1 when the IRF bit in EDMDR is set to 1, an interrupt request is sent to the CPU.</p> <p>When used together with block transfer mode, a source address repeat interrupt is requested at the end of a block-size transfer. If the EDA bit is set to 1 in EDMDR for the channel on which transfer is terminated by a source address repeat interrupt, transfer can be resumed from the state in which it ended. If a source address repeat area has not been designated, this bit is ignored.</p> <p>0: Source address repeat interrupt is not requested</p> <p>1: When source address repeat area overflow occurs, the IRF bit in EDMDR is set to 1 and an interrupt is requested</p> |

| Bit | Bit Name | Initial Value | R/W | Description   |
|-----|----------|---------------|-----|---|
| 12  | SARA4    | 0             | R/W | Source Address Repeat Area  |
| 11  | SARA3    | 0             | R/W | These bits specify the source address (EDSAR) repeat area. The repeat area function updates the specified lower address bits, leaving the remaining upper address bits always the same. A repeat area size of 2 bytes to 8 Mbytes can be specified. The setting interval is a power-of-two number of bytes. When repeat area overflow results from incrementing or decrementing an address, the lower address is the start address of the repeat area in the case of address incrementing, or the last address of the repeat area in the case of address decrementing. If the SARIE bit is set to 1, an interrupt can be requested when repeat area overflow occurs.<br><br>00000: Not designated as repeat area<br>00001: Lower 1 bit (2-byte area) designated as repeat area<br>00010: Lower 2 bits (4-byte area) designated as repeat area<br>00011: Lower 3 bits (8-byte area) designated as repeat area<br>00100: Lower 4 bits (16-byte area) designated as repeat area<br>:<br>10011: Lower 19 bits (512-kbyte area) designated as repeat area<br>10100: Lower 20 bits (1-Mbyte area) designated as repeat area<br>10101: Lower 21 bits (2-Mbyte area) designated as repeat area<br>10110: Lower 22 bits (4-Mbyte area) designated as repeat area<br>10111: Lower 23 bits (8-Mbyte area) designated as repeat area<br>11xxx: Setting prohibited |
| 10  | SARA2    | 0             | R/W |   |
| 9   | SARA1    | 0             | R/W |   |
| 8   | SARA0    | 0             | R/W |   |
|     |          |               |     |   |

| Bit | Bit Name | Initial Value | R/W | Description   |
|-----|----------|---------------|-----|---|
| 7   | DAT1     | 0             | R/W | Destination Address Update Mode   |
| 6   | DAT0     | 0             | R/W | <p>These bits specify incrementing/decrementing of the transfer destination address (EDDAR). When an external device with <math>\overline{DACK}</math> is designated as the transfer destination in single address mode, the specification by these bits is ignored.</p> <p>0x: Fixed</p> <p>10: Incremented (+1 in byte transfer, +2 in word transfer)</p> <p>11: Decrementd (-1 in byte transfer, -2 in word transfer)</p>  |
| 5   | DARIE    | 0             | R/W | <p>Destination Address Repeat Interrupt Enable</p> <p>When this bit is set to 1, in the event of destination address repeat area overflow the IRF bit is set to 1 and the EDA bit cleared to 0 in EDMDR, and transfer is terminated. If the EDIE bit in EDMDR is 1 when the IRF bit in EDMDR is set to 1, an interrupt request is sent to the CPU. When used together with block transfer mode, a destination address repeat interrupt is requested at the end of a block-size transfer. If the EDA bit is set to 1 in EDMDR for the channel on which transfer is terminated by a destination address repeat interrupt, transfer can be resumed from the state in which it ended. If a destination address repeat area has not been designated, this bit is ignored.</p> <p>0: Destination address repeat interrupt is not requested</p> <p>1: When destination address repeat area overflow occurs, the IRF bit in EDMDR is set to 1 and an interrupt is requested</p> |

| Bit | Bit Name | Initial Value | R/W | Description   |
|-----|----------|---------------|-----|---|
| 4   | DARA4    | 0             | R/W | Destination Address Repeat Area   |
| 3   | DARA3    | 0             | R/W | These bits specify the destination address (EDDAR) repeat area. The repeat area function updates the specified lower address bits, leaving the remaining upper address bits always the same. A repeat area size of 2 bytes to 8 Mbytes can be specified. The setting interval is a power-of-two number of bytes. When repeat area overflow results from incrementing or decrementing an address, the lower address is the start address of the repeat area in the case of address incrementing, or the last address of the repeat area in the case of address decrementing. If the DARIE bit is set to 1, an interrupt can be requested when repeat area overflow occurs.<br><br>00000: Not designated as repeat area<br>00001: Lower 1 bit (2-byte area) designated as repeat area<br>00010: Lower 2 bits (4-byte area) designated as repeat area<br>00011: Lower 3 bits (8-byte area) designated as repeat area<br>00100: Lower 4 bits (16-byte area) designated as repeat area<br>:                  :<br>10011: Lower 19 bits (512-kbyte area) designated as repeat area<br>10100: Lower 20 bits (1-Mbyte area) designated as repeat area<br>10101: Lower 21 bits (2-Mbyte area) designated as repeat area<br>10110: Lower 22 bits (4-Mbyte area) designated as repeat area<br>10111: Lower 23 bits (8-Mbyte area) designated as repeat area<br>11xxx: Setting prohibited |
| 2   | DARA2    | 0             | R/W |   |
| 1   | DARA1    | 0             | R/W |   |
| 0   | DARA0    | 0             | R/W |   |
|     |          |               |     |   |

Legend:

x: Don't care

## 8.4 Operation

### 8.4.1 Transfer Modes

The transfer modes of the EXDMAC are summarized in table 8.2.

**Table 8.2 EXDMAC Transfer Modes**

| Transfer Mode       |   |   | Transfer Origin  | Number of Transfers                 | Address Registers |                 |
|---------------------|---|---|------------------|-------------------------------------|-------------------|-----------------|
|                     |   |   |                  |                                     | Source            | Destination     |
| Dual address mode   | Normal transfer mode  | Auto request mode   | Auto request     | 1 to 16,777,215 or no specification | EDSAR             | EDDAR           |
|                     |   | External request mode   | External request |                                     |                   |                 |
|                     | Block transfer mode   | External request mode   | External request | 1 to 65,535 or no specification     |                   |                 |
|                     |   | <ul style="list-style-type: none"> <li>Burst/cycle steal mode</li> <li>Cycle steal mode</li> </ul>  |                  |                                     |                   |                 |
|                     |   | <ul style="list-style-type: none"> <li>Burst transfer of specified block size for a single transfer request</li> <li>Block size: 1 to 256 bytes or words</li> </ul> |                  |                                     |                   |                 |
| Single address mode | <ul style="list-style-type: none"> <li>Direct data transfer to/from external device using EDACK pin instead of source or destination address register</li> <li>Above transfer mode can be specified in addition to address register setting</li> <li>One transfer possible in one bus cycle</li> </ul> (Transfer mode variations are the same as in dual address mode.) |   |                  |                                     | EDSAR/<br>EDACK   | EDACK/<br>EDDAR |

The transfer mode can be set independently for each channel.

In normal transfer mode, a one-byte or one-word transfer is executed in response to one transfer request. With auto requests, burst or cycle steal transfer mode can be set. In burst transfer mode, continuous, high-speed transfer can be performed until the specified number of transfers have been executed or the transfer enable bit is cleared to 0.

In block transfer mode, a transfer of the specified block size is executed in response to one transfer request. The block size can be from 1 to 256 bytes or words. Within a block, transfer can be performed at the same high speed as in block transfer mode.

When the “no specification” setting (EDTCR = H'000000) is made for the number of transfers, the transfer counter is halted and there is no limit on the number of transfers, allowing transfer to be performed endlessly.

Incrementing or decrementing the memory address by 1 or 2, or leaving the address unchanged, can be specified independently for each address register.

In all transfer modes, it is possible to set a repeat area comprising a power-of-two number of bytes.

### 8.4.2 Address Modes

**Dual Address Mode:** In dual address mode, both the transfer source and transfer destination are specified by registers in the EXDMAC, and one transfer is executed in two bus cycles.

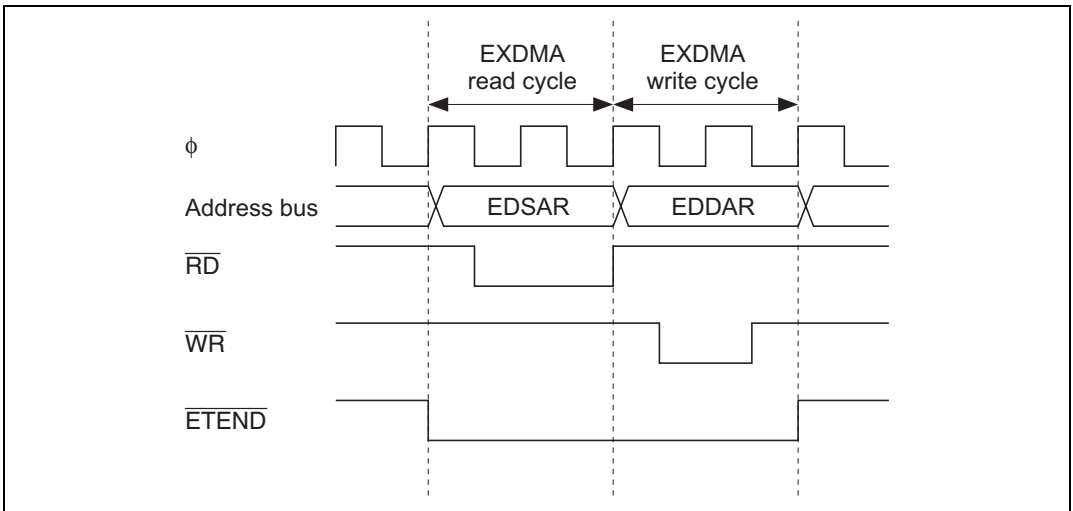
The transfer source address is set in the source address register (EDSAR), and the transfer destination address is set in the transfer destination address register (EDDAR).

In a transfer operation, the value in external memory specified by the transfer source address is read in the first bus cycle, and is written to the external memory specified by the transfer destination address in the next bus cycle.

These consecutive read and write cycles are indivisible: another bus cycle (external access by an internal bus master, refresh cycle, or external bus release cycle) does not occur between these two cycles.

$\overline{\text{ETEND}}$  pin output can be enabled or disabled by means of the ETENDE bit in EDMDR.  $\overline{\text{ETEND}}$  is output for two consecutive bus cycles. The  $\overline{\text{EDACK}}$  signal is not output.

Figure 8.2 shows an example of the timing in dual address mode.



**Figure 8.2 Example of Timing in Dual Address Mode**

**Single Address Mode:** In single address mode, the  $\overline{EDACK}$  signal is used instead of the source or destination address register to transfer data directly between an external device and external memory. In this mode, the EXDMAC accesses the transfer source or transfer destination external device by outputting the external I/O strobe signal ( $\overline{EDACK}$ ), and at the same time accesses the other external device in the transfer by outputting an address. In this way, DMA transfer can be executed in one bus cycle. In the example of transfer between external memory and an external device with  $\overline{DACK}$  shown in figure 8.3, data is output to the data bus by the external device and written to external memory in the same bus cycle.

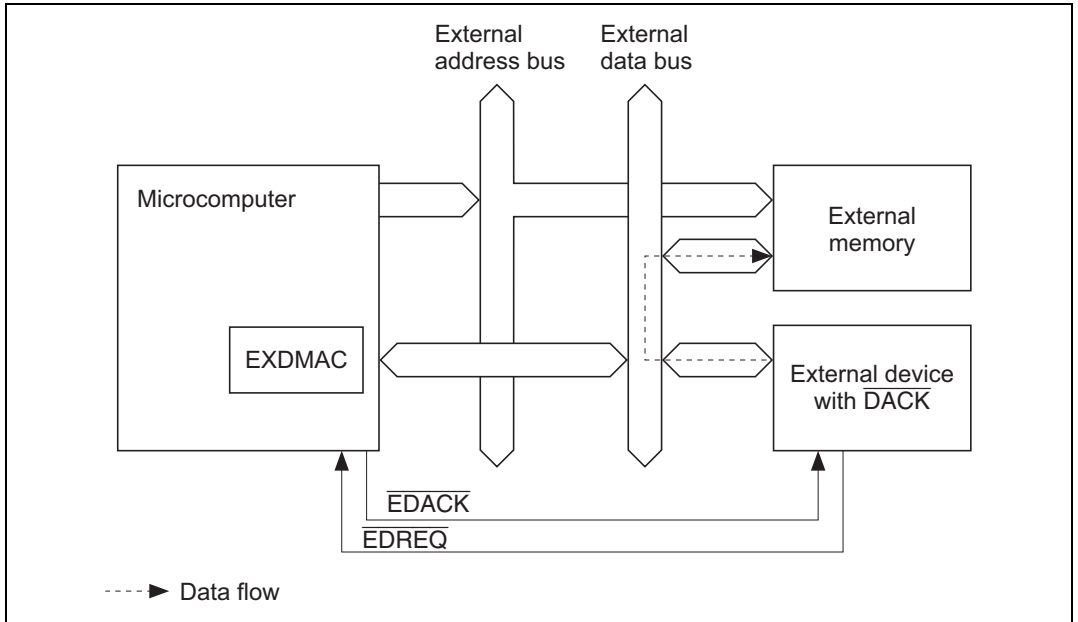
The transfer direction, that is whether the external device with  $\overline{DACK}$  is the transfer source or transfer destination, can be specified with the SDIR bit in EDMDR. Transfer is performed from the external memory (EDSAR) to the external device with  $\overline{DACK}$  when SDIR = 0, and from the external device with  $\overline{DACK}$  to the external memory (EDDAR) when SDIR = 1.

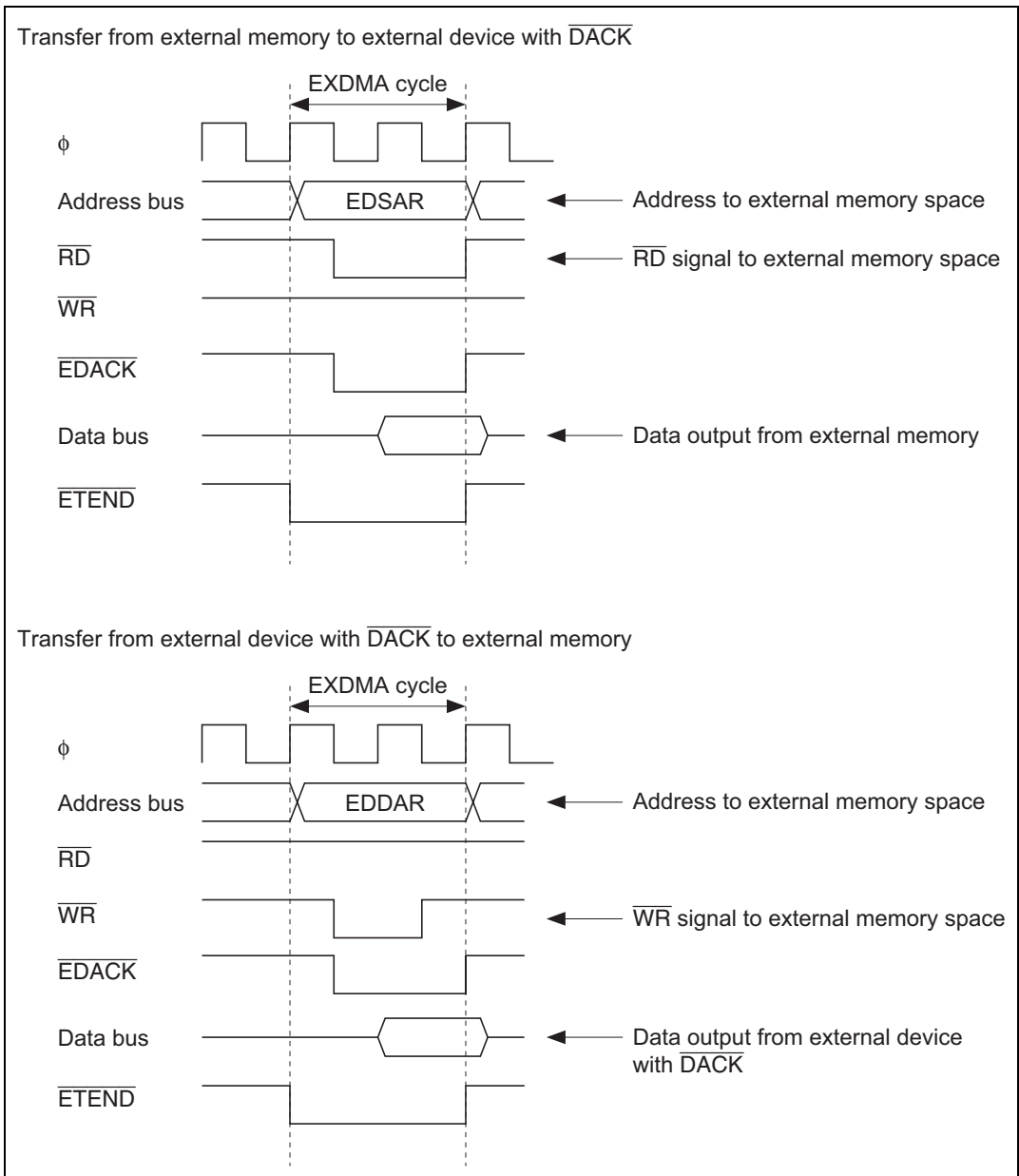
The setting in the source or destination address register not used in the transfer is ignored.

The  $\overline{EDACK}$  pin becomes valid automatically when single address mode is selected. The  $\overline{EDACK}$  pin is active-low.  $\overline{ETEND}$  pin output can be enabled or disabled by means of the ETENDE bit in EDMDR.  $\overline{ETEND}$  is output for one bus cycle.

Figure 8.3 shows the data flow in single address mode, and figure 8.4 shows an example of the timing.



**Figure 8.3 Data Flow in Single Address Mode**



**Figure 8.4 Example of Timing in Single Address Mode**

### 8.4.3 DMA Transfer Requests

**Auto Request Mode:** In auto request mode, transfer request signals are automatically generated within the EXDMAC in cases where a transfer request signal is not issued from outside, such as in transfer between two memories, or between a peripheral module that is not capable of generating transfer requests and memory. In auto request mode, transfer is started when the EDA bit is set to 1 in EDMDR.

In auto request mode, either cycle steal mode or burst mode can be selected as the bus mode. Block transfer mode cannot be used.

**External Request Mode:** In external request mode, transfer is started by a transfer request signal ( $\overline{\text{EDREQ}}$ ) from a device external to this LSI. DMA transfer is started when  $\overline{\text{EDREQ}}$  is input while DMA transfer is enabled ( $\text{EDA} = 1$ ).

The transfer request source need not be the data transfer source or data transfer destination.

The transfer request signal is accepted via the  $\overline{\text{EDREQ}}$  pin. Either falling edge sensing or low level sensing can be selected for the  $\overline{\text{EDREQ}}$  pin by means of the EDREQS bit in EDMDR (low level sensing when  $\text{EDREQS} = 0$ , falling edge sensing when  $\text{EDREQS} = 1$ ).

Setting the EDRAKE bit to 1 in EDMDR enables a signal confirming transfer request acceptance to be output from the  $\overline{\text{EDRAK}}$  pin. The  $\overline{\text{EDRAK}}$  signal is output when acceptance and transfer processing has been started in response to a single external request. The  $\overline{\text{EDRAK}}$  signal enables the external device to determine the timing of  $\overline{\text{EDREQ}}$  signal negation, and makes it possible to provide handshaking between the transfer request source and the EXDMAC.

In external request mode, block transfer mode can be used instead of burst mode. Block transfer mode allows continuous execution (burst operation) of the specified number of transfers (the block size) in response to a single transfer request. In block transfer mode, the  $\overline{\text{EDRAK}}$  signal is output only once for a one-block transfer, since the transfer request via the  $\overline{\text{EDREQ}}$  pin is for a block unit.

### 8.4.4 Bus Modes

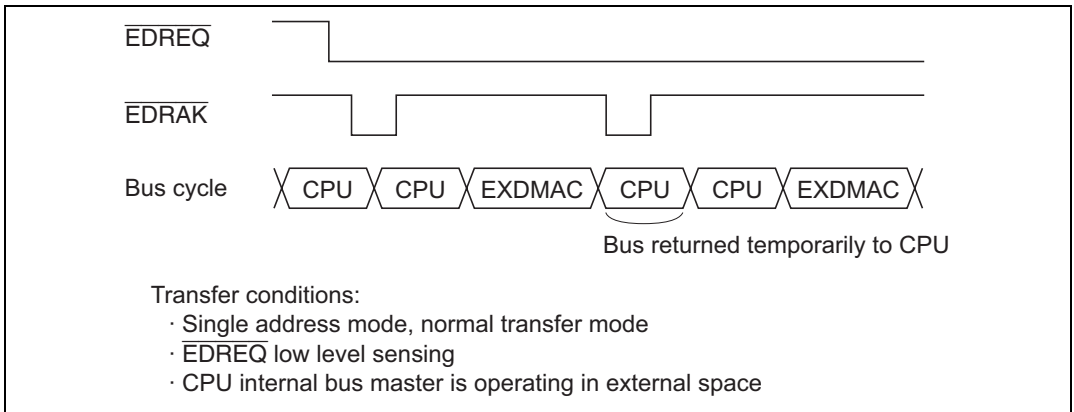
There are two bus modes: cycle steal mode and burst mode. When the activation source is an auto request, either cycle steal mode or burst mode can be selected. When the activation source is an external request, cycle steal mode is used.

**Cycle Steal Mode:** In cycle steal mode, the EXDMAC releases the bus at the end of each transfer of a transfer unit (byte, word, or block). If there is a subsequent transfer request, the EXDMAC

takes back the bus, performs another transfer-unit transfer, and then releases the bus again. This procedure is repeated until the transfer end condition is satisfied.

If a transfer request occurs in another channel during DMA transfer, the bus is temporarily released, then transfer is performed on the channel for which the transfer request was issued. If there is no external space bus request from another bus master, a one-cycle bus release interval is inserted. For details on the operation when there are requests for a number of channels, see section 8.4.8, Channel Priority Order.

Figure 8.5 shows an example of the timing in cycle steal mode.



**Figure 8.5 Example of Timing in Cycle Steal Mode**

**Burst Mode:** In burst mode, once the EXDMAC acquires the bus it continues transferring data, without releasing the bus, until the transfer end condition is satisfied. There is no burst mode in external request mode.

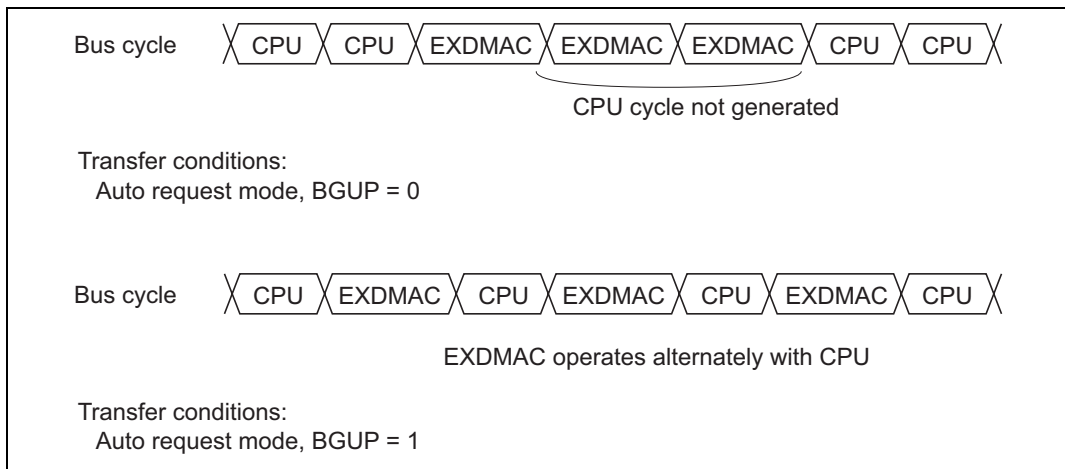
In burst mode, once transfer is started it is not interrupted even if there is a transfer request from another channel with higher priority. When the burst mode channel finishes its transfer, it releases the bus in the next cycle in the same way as in cycle steal mode.

When the EDA bit is cleared to 0 in EDMDR, DMA transfer is halted. However, DMA transfer is executed for all transfer requests generated within the EXDMAC up until the EDA bit was cleared to 0.

If a repeat area overflow interrupt is generated, the EDA bit is cleared to 0 and transfer is terminated.

When the BGUP bit is set to 1 in EDMDR, the bus is released if a bus request is issued by another bus master during burst transfer. If there is no bus request, burst transfer is executed even if the BGUP bit is set to 1.

Figure 8.6 shows examples of the timing in burst mode.



**Figure 8.6 Examples of Timing in Burst Mode**

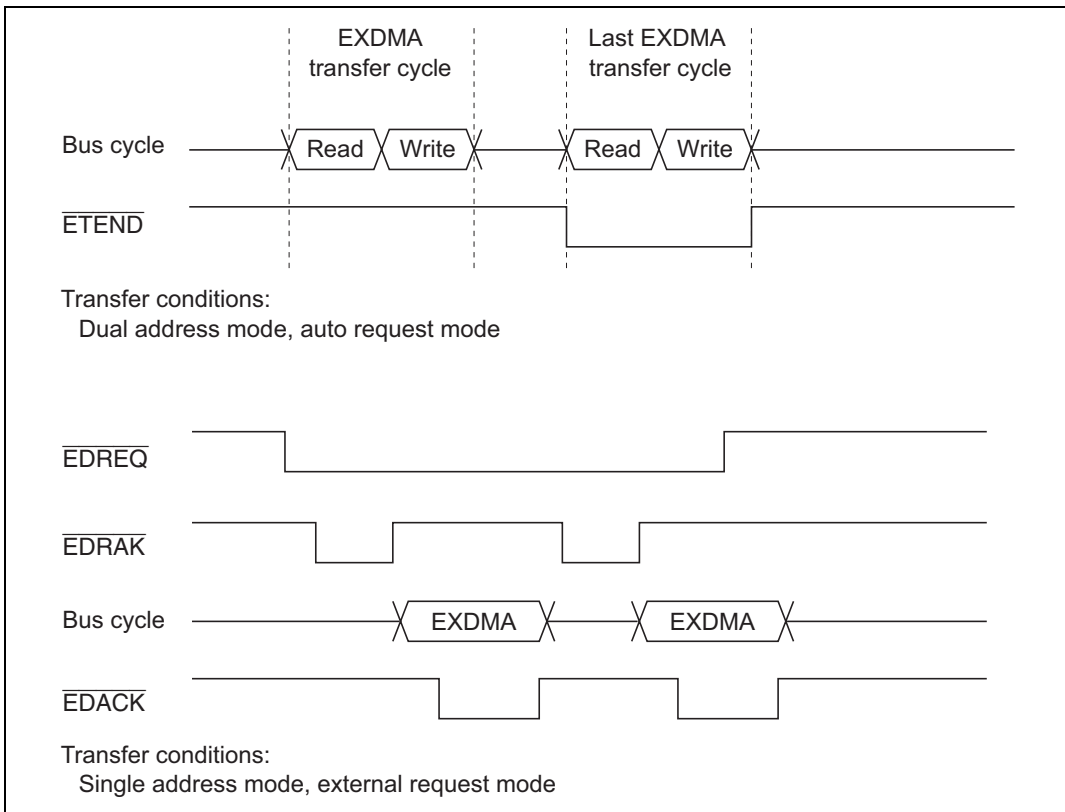
### 8.4.5 Transfer Modes

There are two transfer modes: normal transfer mode and block transfer mode. When the activation source is an external request, either normal transfer mode or block transfer mode can be selected. When the activation source is an auto request, normal transfer mode is used.

**Normal Transfer Mode:** In normal transfer mode, transfer of one transfer unit is processed in response to one transfer request. EDTCR functions as a 24-bit transfer counter.

The  $\overline{ETEND}$  signal is output only for the last DMA transfer. The  $\overline{EDRAK}$  signal is output each time a transfer request is accepted and transfer processing is started.

Figure 8.7 shows examples of DMA transfer timing in normal transfer mode.



**Figure 8.7 Examples of Timing in Normal Transfer Mode**

**Block Transfer Mode:** In block transfer mode, the number of bytes or words specified by the block size is transferred in response to one transfer request. The upper 8 bits of EDTCR specify the block size, and the lower 16 bits function as a 16-bit transfer counter. A block size of 1 to 256 can be specified. During transfer of a block, transfer requests for other higher-priority channels are held pending. When transfer of one block is completed, the bus is released in the next cycle.

When the BGUP bit is set to 1 in EDMDR, the bus is released if a bus request is issued by another bus master during block transfer.

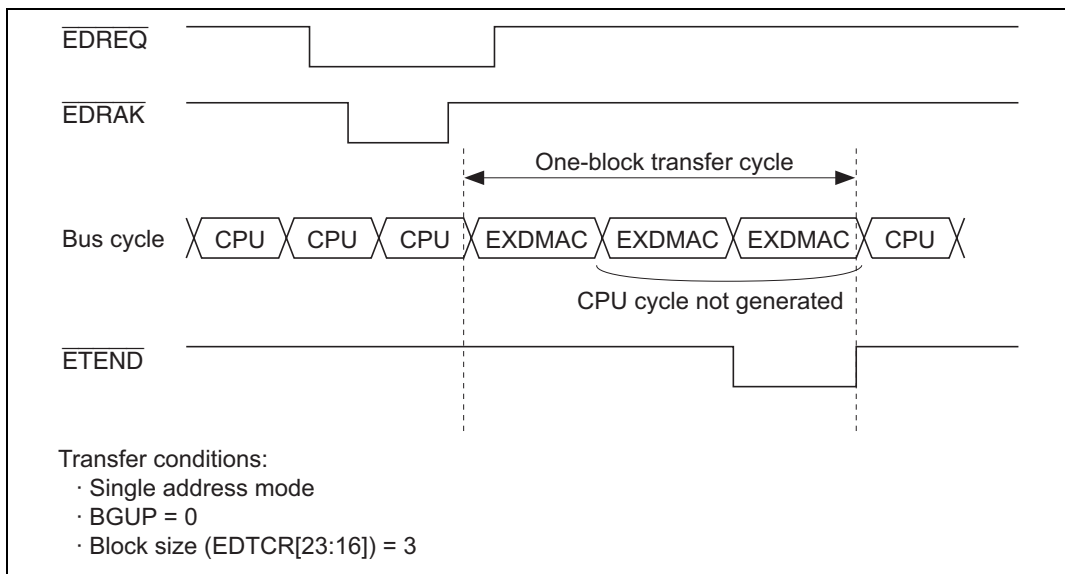
Address register values are updated in the same way as in normal mode. There is no function for restoring the initial address register values after each block transfer.

The  $\overline{\text{ETEND}}$  signal is output for each block transfer in the DMA transfer cycle in which the block ends. The  $\overline{\text{EDRAK}}$  signal is output once for one transfer request (for transfer of one block).

Caution is required when setting the repeat area overflow interrupt of the repeat area function in block transfer mode. See section 8.4.6, Repeat Area Function, for details.

Block transfer is aborted if an NMI interrupt is generated. See section 8.4.12, Ending DMA Transfer, for details.

Figure 8.8 shows an example of DMA transfer timing in block transfer mode.



**Figure 8.8 Example of Timing in Block Transfer Mode**

### 8.4.6 Repeat Area Function

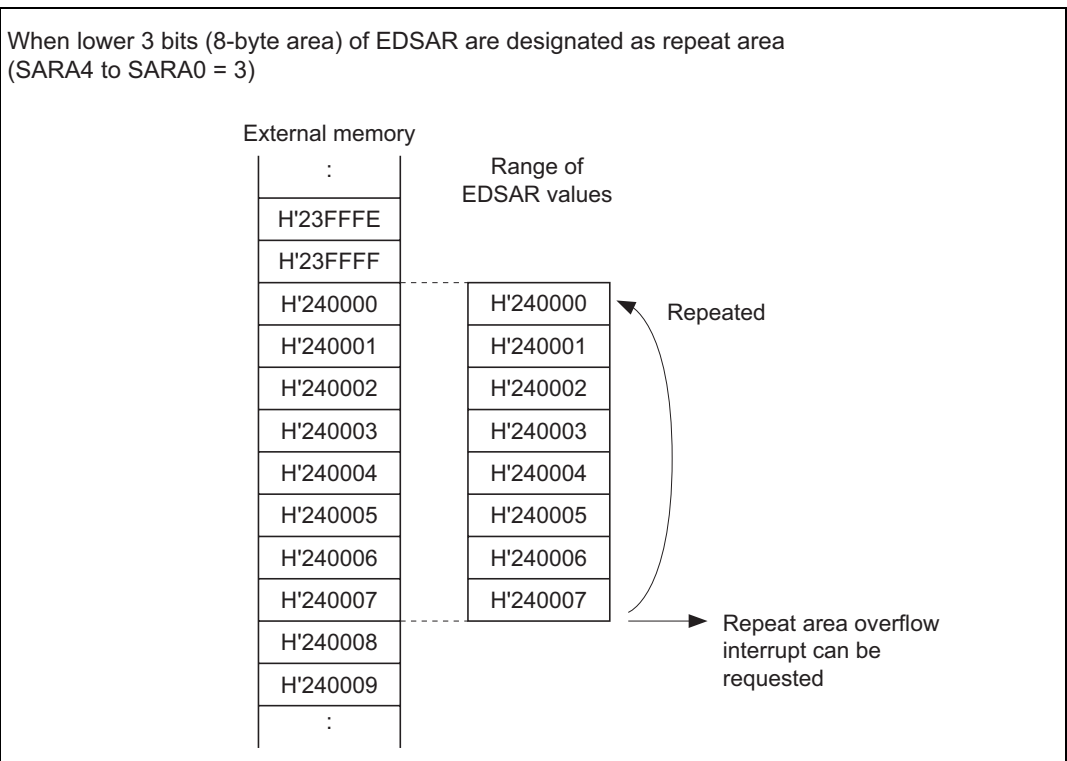
The EXDMAC has a function for designating a repeat area for source addresses and/or destination addresses. When a repeat area is designated, the address register values repeat within the range specified as the repeat area. Normally, when a ring buffer is involved in a transfer, an operation is required to restore the address register value to the buffer start address each time the address register value is the last address in the buffer (i.e. when ring buffer address overflow occurs), but if the repeat area function is used, the operation that restores the address register value to the buffer start address is performed automatically within the EXDMAC.

The repeat area function can be set independently for the source address register and the destination address register.

The source address repeat area is specified by bits SARA4 to SARA0 in EDACR, and the destination address repeat area by bits DARA4 to DARA0 in EDACR. The size of each repeat area can be specified independently.

When the address register value is the last address in the repeat area and repeat area overflow occurs, DMA transfer can be temporarily halted and an interrupt request sent to the CPU. If the SARIE bit in EDACR is set to 1, when the source address register overflows the repeat area, the IRF bit is set to 1 and the EDA bit cleared to 0 in EDMDR, and transfer is terminated. If EDIE = 1 in EDMDR, an interrupt is requested. If the DARIE bit in EDACR is set to 1, the above applies to the destination address register.

If the EDA bit in EDMDR is set to 1 during interrupt generation, transfer is resumed. Figure 8.9 illustrates the operation of the repeat area function.



**Figure 8.9 Example of Repeat Area Function Operation**

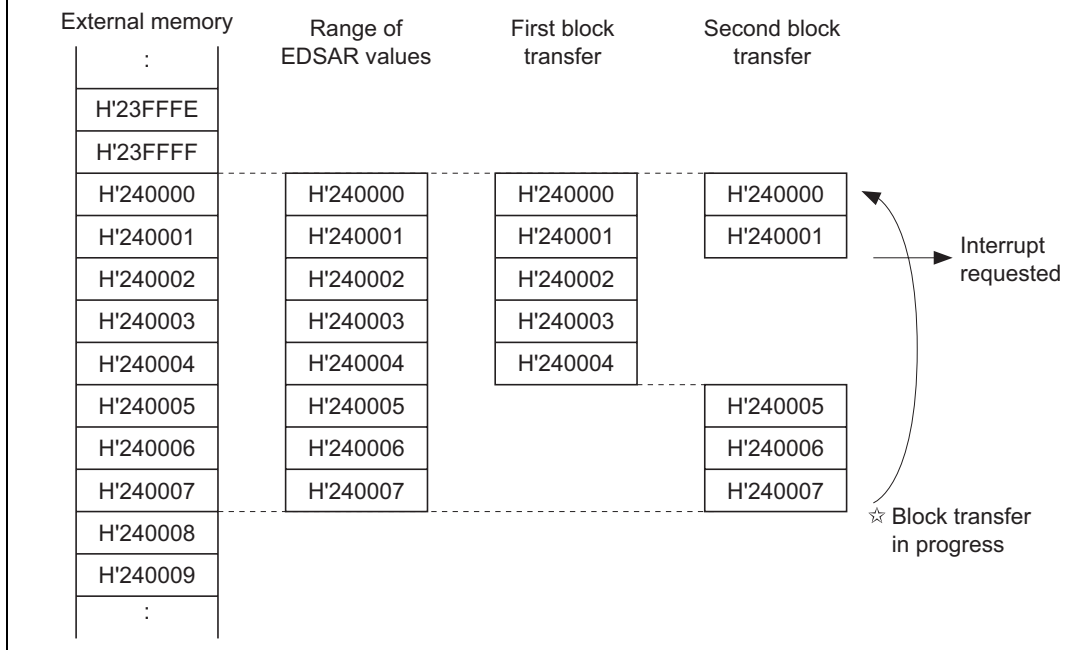
Caution is required when the repeat area overflow interrupt function is used together with block transfer mode. If transfer is always terminated when repeat area overflow occurs in block transfer



mode, the block size must be a power of two, or alternatively, the address register value must be set so that the end of a block coincides with the end of the repeat area range.

If repeat area overflow occurs while a block is being transferred in block transfer mode, the repeat interrupt request is held pending until the end of the block, and transfer overrun will occur. Figure 8.10 shows an example in which block transfer mode is used together with the repeat area function.

When lower 3 bits (8-byte area) of EDSAR are designated as repeat area (SARA4 to SARA0 = 3), and block size of 5 (EDTCR[23–16] = 5) is set in block transfer mode



**Figure 8.10 Example of Repeat Area Function Operation in Block Transfer Mode**

#### 8.4.7 Registers during DMA Transfer Operation

EXDMAC register values are updated as DMA transfer processing is performed. The updated values depend on various settings and the transfer status. The following registers and bits are updated: EDSAR, EDDAR, EDTCR, and bits EDA, BEF, and IRF in EDMDR,

**EXDMA Source Address Register (EDSAR):** When the EDSAR address is accessed as the transfer source, after the EDSAR value is output, EDSAR is updated with the address to be

accessed next. Bits SAT1 and SAT0 in EDACR specify incrementing or decrementing. The address is fixed when SAT1 = 0, incremented when SAT1 = 1 and SAT0 = 0, and decremented when SAT1 = 1 and SAT0 = 1.

The size of the increment or decrement is determined by the size of the data transferred. When the DTSIZE bit in EDMDR = 0, the data is byte-size and the address is incremented or decremented by 1; when DTSIZE = 1, the data is word-size and the address is incremented or decremented by 2.

When a repeat area setting is made, the operation conforms to that setting. The upper part of the address set for the repeat area function is fixed, and is not affected by address updating.

When EDSAR is read during a transfer operation, a longword access must be used. During a transfer operation, EDSAR may be updated without regard to accesses from the CPU, and the correct values may not be read if the upper and lower words are read separately. In a longword access, the EXDMAC buffers the EDSAR value to ensure that the correct value is output.

Do not write to EDSAR for a channel on which a transfer operation is in progress.

**EXDMA Destination Address Register (EDDAR):** When the EDDAR address is accessed as the transfer destination, after the EDDAR value is output, EDDAR is updated with the address to be accessed next. Bits DAT1 and DAT0 in EDACR specify incrementing or decrementing. The address is fixed when DAT1 = 0, incremented when DAT1 = 1 and DAT0 = 0, and decremented when DAT1 = 1 and DAT0 = 1.

The size of the increment or decrement is determined by the size of the data transferred. When the DTSIZE bit in EDMDR = 0, the data is byte-size and the address is incremented or decremented by 1; when DTSIZE = 1, the data is word-size and the address is incremented or decremented by 2.

When a repeat area setting is made, the operation conforms to that setting. The upper part of the address set for the repeat area function is fixed, and is not affected by address updating.

When EDDAR is read during a transfer operation, a longword access must be used. During a transfer operation, EDDAR may be updated without regard to accesses from the CPU, and the correct values may not be read if the upper and lower words are read separately. In a longword access, the EXDMAC buffers the EDDAR value to ensure that the correct value is output.

Do not write to EDDAR for a channel on which a transfer operation is in progress.

**EXDMA Transfer Count Register (EDTCR):** When a DMA transfer is performed, the value in EDTCR is decremented by 1. However, when the EDTCR value is 0, transfers are not counted and the EDTCR value does not change.

EDTCR functions differently in block transfer mode. The upper 8 bits, EDTCR[23:16], are used to specify the block size, and their value does not change. The lower 16 bits, EDTCR[15:0], function as a transfer counter, the value of which is decremented by 1 when a DMA transfer is performed. However, when the EDTCR[15:0] value is 0, transfers are not counted and the EDTCR[15:0] value does not change.

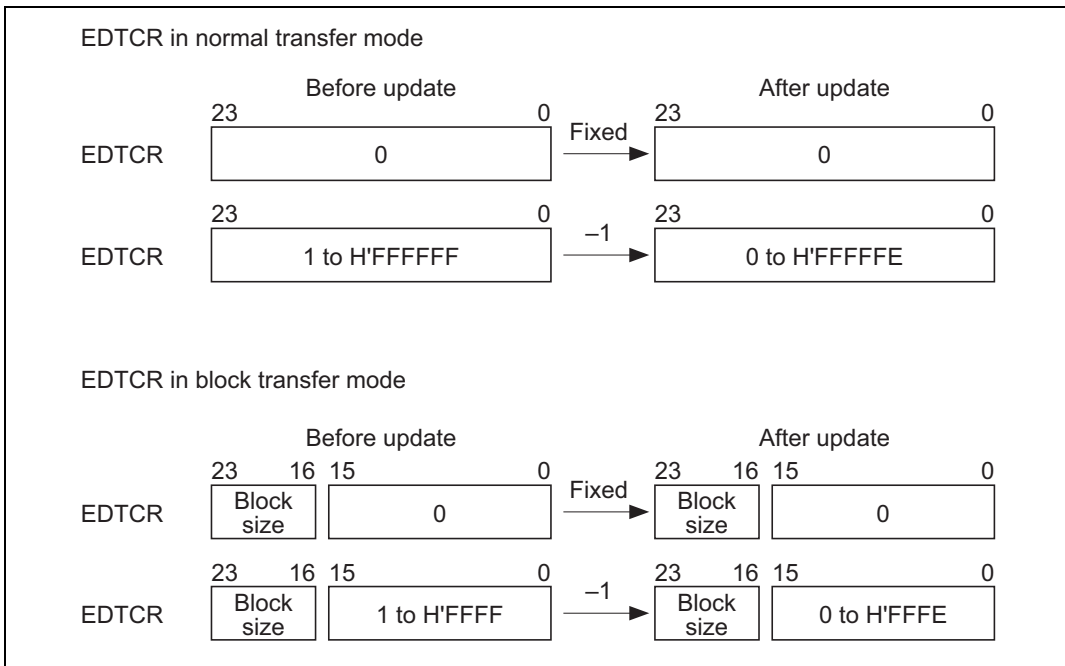
In normal transfer mode, all of the lower 24 bits of EDTCR may change, so when EDTCR is read by the CPU during DMA transfer, a longword access must be used. During a transfer operation, EDTCR may be updated without regard to accesses from the CPU, and the correct values may not be read if the upper and lower words are read separately. In a longword access, the EXDMAC buffers the EDTCR value to ensure that the correct value is output.

In block transfer mode, the upper 8 bits are never updated, so there is no problem with using word access.

Do not write to EDTCR for a channel on which a transfer operation is in progress. If there is contention between an address update associated with DMA transfer and a write by the CPU, the CPU write has priority.

In the event of contention between an EDTCR update from 1 to 0 and a write (of a nonzero value) by the CPU, the CPU write value has priority as the EDTCR value, but transfer is terminated. Transfer does not end if the CPU writes 0 to EDTCR.

Figure 8.11 shows EDTCR update operations in normal transfer mode and block transfer mode.



**Figure 8.11 EDTCR Update Operations in Normal Transfer Mode and Block Transfer Mode**

**EDA Bit in EDMDR:** The EDA bit in EDMDR is written to by the CPU to control enabling and disabling of data transfer, but may be cleared automatically by the EXDMAC due to the DMA transfer status. There are also periods during transfer when a 0-write to the EDA bit by the CPU is not immediately effective.

Conditions for EDA bit clearing by the EXDMAC include the following:

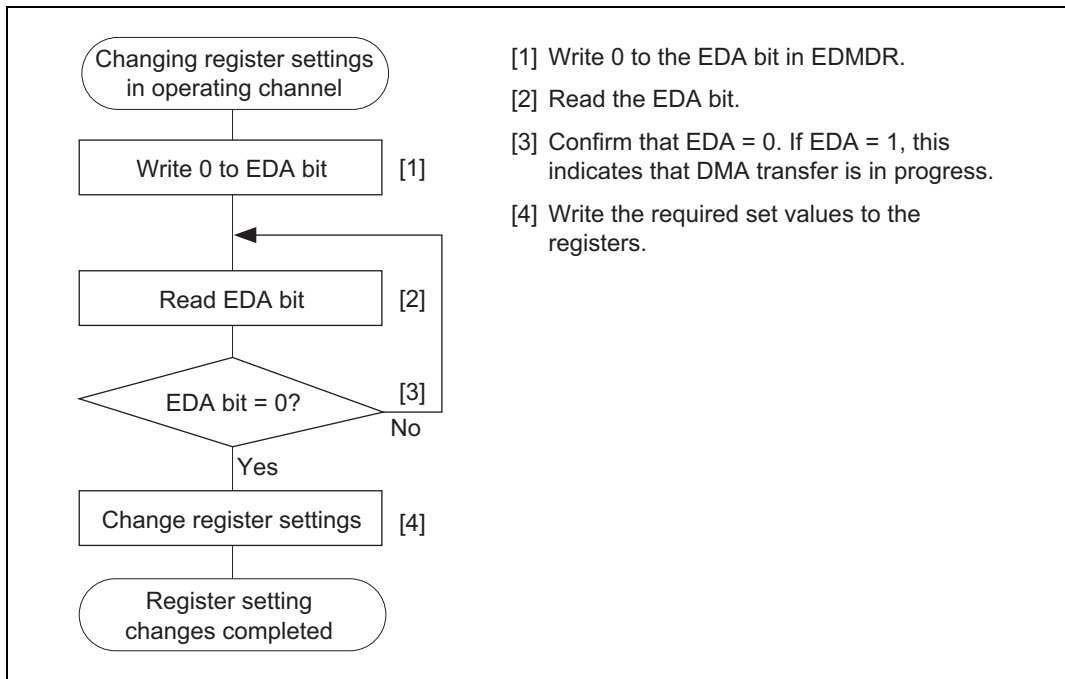
- When the EDTCR value changes from 1 to 0, and transfer ends
- When a repeat area overflow interrupt is requested, and transfer ends
- When an NMI interrupt is generated, and transfer halts
- A reset
- Hardware standby mode
- When 0 is written to the EDA bit, and transfer halts

When transfer is halted by writing 0 to the EDA bit, the EDA bit remains at 1 during the DMA transfer period. In block transfer mode, since a block-size transfer is carried out without interruption, the EDA bit remains at 1 from the time 0 is written to it until the end of the current block-size transfer.

In burst mode, transfer is halted for up to three DMA transfers following the bus cycle in which 0 is written to the EDA bit. The EDA bit remains set to 1 from the time of the 0-write until the end of the last DMA cycle.

Writes (except to the EDA bit) are prohibited to registers of a channel for which the EDA bit is set to 1. When changing register settings after a 0-write to the EDA bit, it is necessary to confirm that the EDA bit has been cleared to 0.

Figure 8.12 shows the procedure for changing register settings in an operating channel.



**Figure 8.12 Procedure for Changing Register Settings in Operating Channel**

**BEF Bit in EDMDR:** In block transfer mode, the specified number of transfers (equivalent to the block size) is performed in response to a single transfer request. To ensure that the correct number of transfers is carried out, a block-size transfer is always executed, except in the event of a reset, transition to standby mode, or generation of an NMI interrupt.

If an NMI interrupt is generated during block transfer, operation is halted midway through a block-size transfer and the EDA bit is cleared to 0, terminating the transfer operation. In this case the BEF bit, which indicates the occurrence of an error during block transfer, is set to 1.

**IRF Bit in EDMDR:** The IRF bit in EDMDR is set to 1 when an interrupt request source occurs. If the EDIE bit in EDMDR is 1 at this time, an interrupt is requested.

The timing for setting the IRF bit to 1 is when the EDA bit in EDMDR is cleared to 0 and transfer ends following the end of the DMA transfer bus cycle in which the source generating the interrupt occurred.

If the EDA bit is set to 1 and transfer is resumed during interrupt handling, the IRF bit is automatically cleared to 0 and the interrupt request is cleared.

For details on interrupts, see section 8.5, Interrupt Sources.

### 8.4.8 Channel Priority Order

The priority order of the EXDMAC channels is: channel 2 > channel 3. Table 8.3 shows the EXDMAC channel priority order.

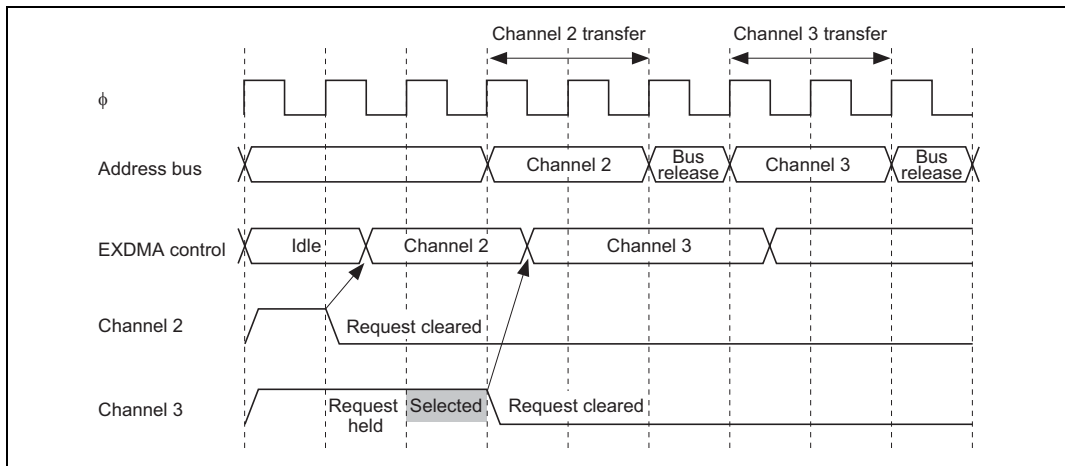
**Table 8.3 EXDMAC Channel Priority Order**

| Channel   | Priority |
|-----------|----------|
| Channel 2 | High     |
| Channel 3 | Low      |

If transfer requests occur simultaneously for a number of channels, the highest-priority channel according to the priority order in table 8.3 is selected for transfer.

**Transfer Requests from Multiple Channels (Except Auto Request Cycle Steal Mode):** If transfer requests for different channels are issued during a transfer operation, the highest-priority channel (excluding the currently transferring channel) is selected. The selected channel begins transfer after the currently transferring channel releases the bus. If there is a bus request from a bus master other than the EXDMAC at this time, a cycle for the other bus master is initiated. If there is no other bus request, the bus is released for one cycle.

Channel switching does not take place during a burst transfer or a block transfer of a single block. Figure 8.13 shows a case in which transfer requests for channels 2 and 3 are issued simultaneously. The example shown in the figure illustrates the handling of external requests in the cycle steal mode.



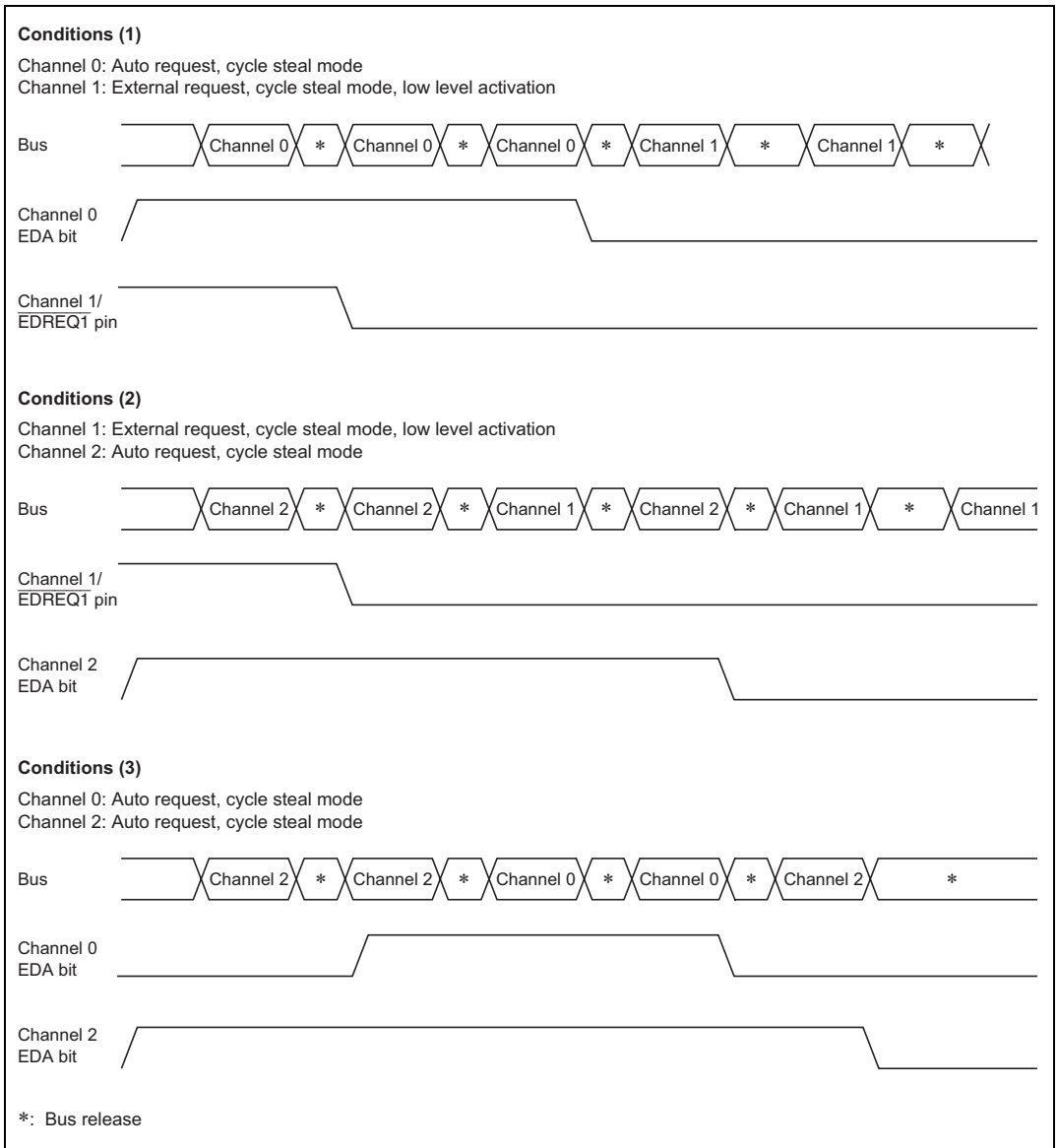
**Figure 8.13 Example of Channel Priority Timing**

**Transfer Requests from Multiple Channels in Auto Request Cycle Steal Mode:** If transfer requests for different channels are issued during a transfer in auto request cycle steal mode, the operation depends on the channel priority. If the channel that made the transfer request is of higher priority than the channel currently performing transfer, the channel that made the transfer request is selected.

If the channel that made the transfer request is of lower priority than the channel currently performing transfer, that channel's transfer request is held pending, and the currently transferring channel remains selected.

The selected channel begins transfer after the currently transferring channel releases the bus. If there is a bus request from a bus master other than the EXDMAC at this time, a cycle for the other bus master is initiated. If there is no other bus request, the bus is released for one cycle.

Figure 8.14 shows examples of transfer timing in cases that include auto request cycle steal mode.



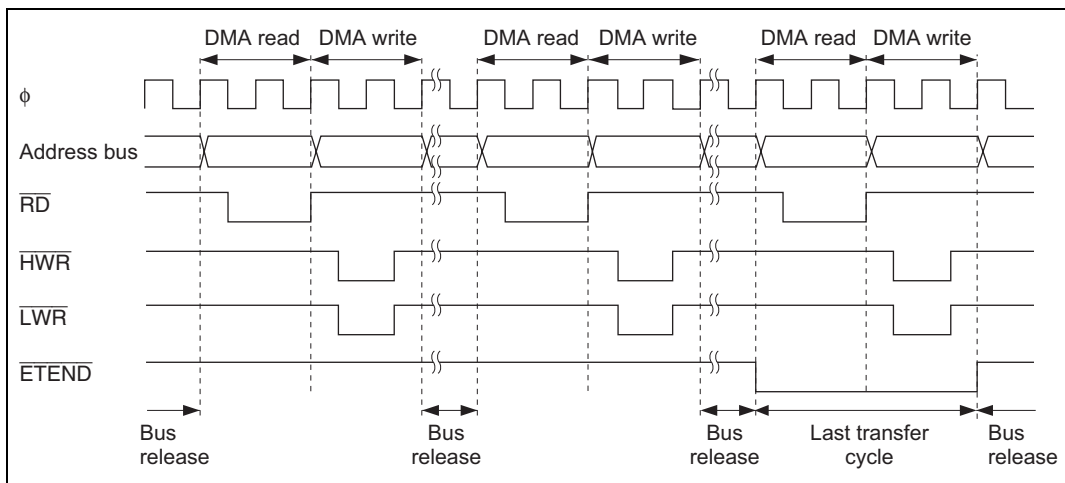
**Figure 8.14 Examples of Channel Priority Timing**



### 8.4.9 EXDMAC Bus Cycles (Dual Address Mode)

**Normal Transfer Mode (Cycle Steal Mode):** Figure 8.15 shows an example of transfer when ETEND output is enabled, and word-size, normal transfer mode (cycle steal mode) is performed from external 16-bit, 2-state access space to external 16-bit, 2-state access space.

After one byte or word has been transferred, the bus is released. While the bus is released, one CPU, DMAC, or DTC bus cycle is initiated.

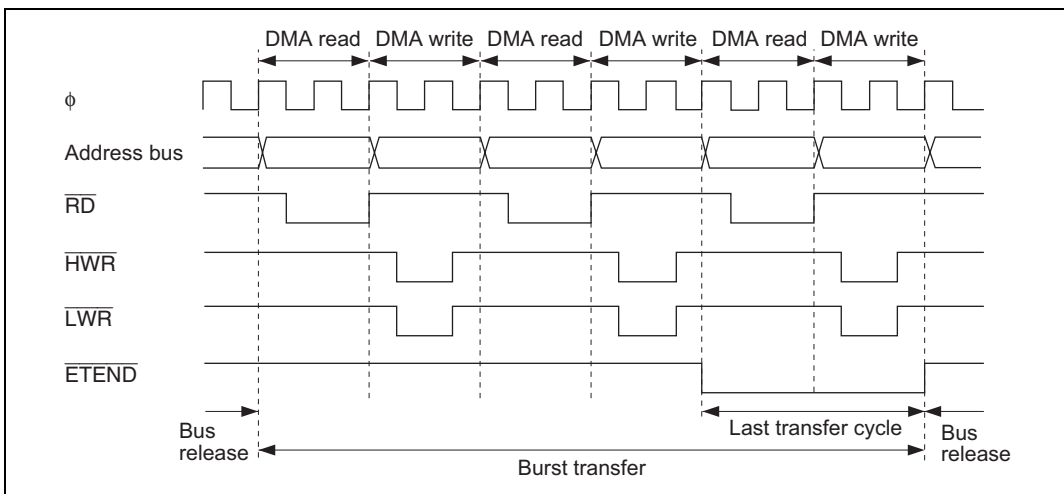


**Figure 8.15 Example of Normal Transfer Mode (Cycle Steal Mode) Transfer**

**Normal Transfer Mode (Burst Mode):** Figure 8.16 shows an example of transfer when  $\overline{\text{ETEND}}$  output is enabled, and word-size, normal transfer mode (burst mode) is performed from external 16-bit, 2-state access space to external 16-bit, 2-state access space.

In burst mode, one-byte or one-word transfers are executed continuously until transfer ends.

Once burst transfer starts, requests from other channels, even of higher priority, are held pending until transfer ends.

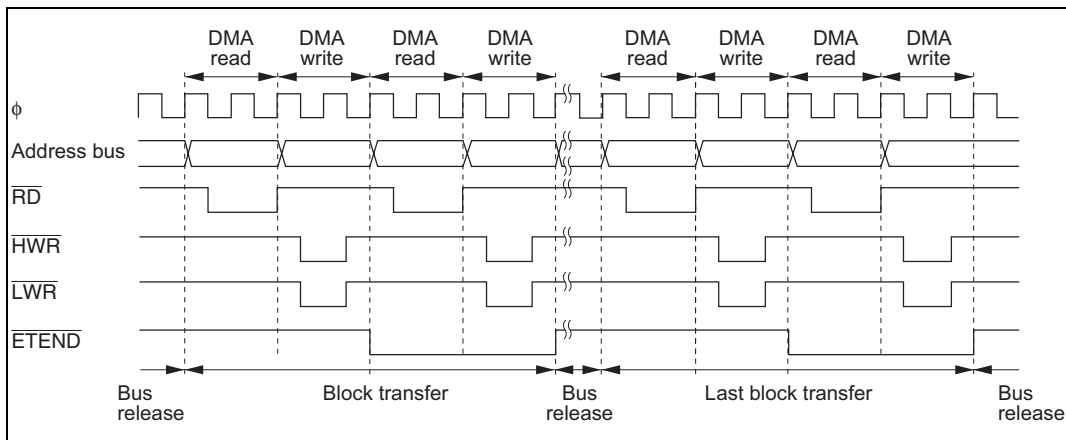


**Figure 8.16 Example of Normal Transfer Mode (Burst Mode) Transfer**

If an NMI interrupt is generated while a channel designated for burst transfer is enabled for transfer, the EDA bit is cleared and transfer is disabled. If a block transfer has already been initiated within the EXDMAC, the bus is released on completion of the currently executing byte or word transfer, and burst transfer is aborted. If the last transfer cycle in burst transfer has been initiated within the EXDMAC, transfer is executed to the end even if the EDA bit is cleared.

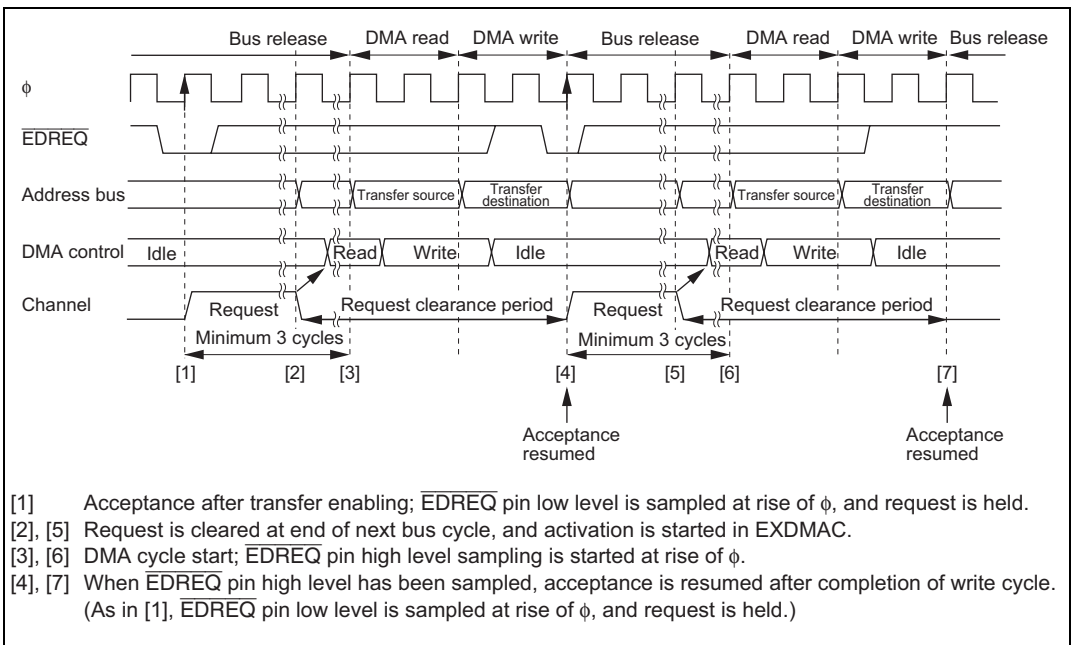
**Block Transfer Mode (Cycle Steal Mode):** Figure 8.17 shows an example of transfer when ETEND output is enabled, and word-size, block transfer mode (cycle steal mode) is performed from external 16-bit, 2-state access space to external 16-bit, 2-state access space.

One block is transferred in response to one transfer request, and after the transfer, the bus is released. While the bus is released, one or more CPU, DMAC, or DTC bus cycles are initiated.



**Figure 8.17 Example of Block Transfer Mode (Cycle Steal Mode) Transfer**

**EDREQ Pin Falling Edge Activation Timing:** Figure 8.18 shows an example of normal mode transfer activated by the EDREQ pin falling edge.

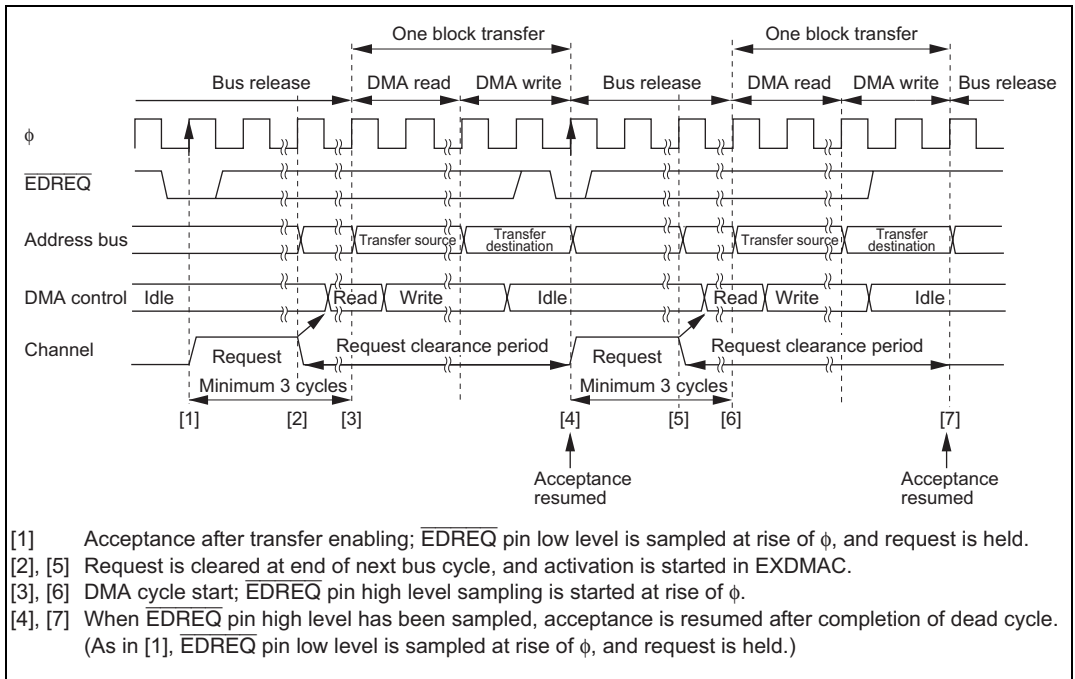


**Figure 8.18 Example of Normal Mode Transfer Activated by EDREQ Pin Falling Edge**

EDREQ pin sampling is performed in each cycle starting at the next rise of  $\phi$  after the end of the EDMDR write cycle for setting the transfer-enabled state.

When a low level is sampled at the EDREQ pin while acceptance via the EDREQ pin is possible, the request is held within the EXDMAC. Then when activation is initiated within the EXDMAC, the request is cleared, and EDREQ pin high level sampling for edge sensing is started. If EDREQ pin high level sampling is completed by the end of the DMA write cycle, acceptance resumes after the end of the write cycle, and EDREQ pin low level sampling is performed again; this sequence of operations is repeated until the end of the transfer.

Figure 8.19 shows an example of block transfer mode transfer activated by the EDREQ pin falling edge.

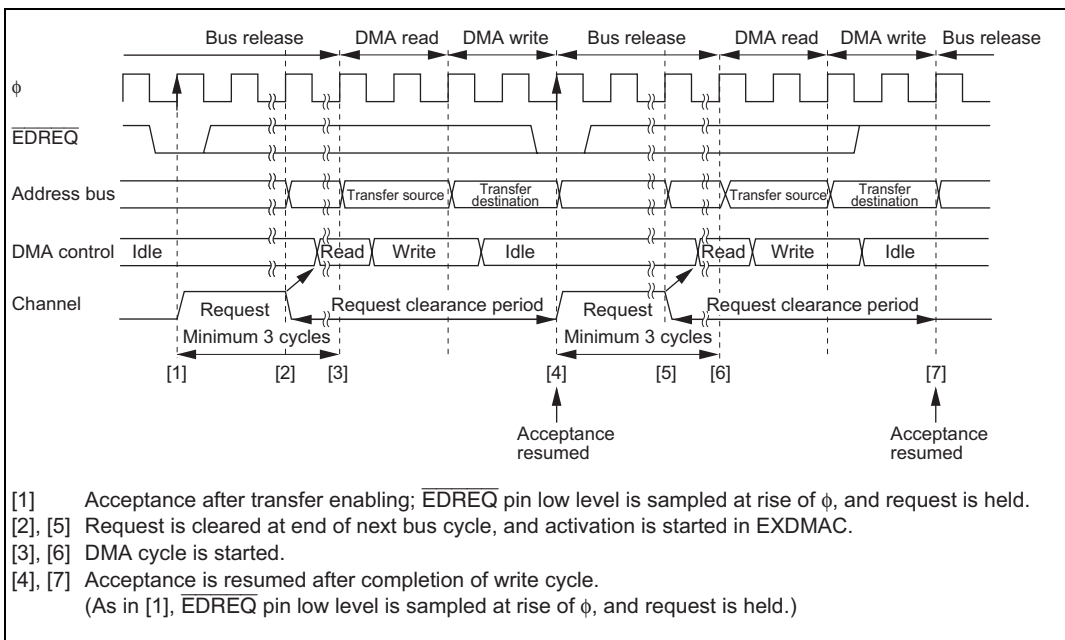


**Figure 8.19 Example of Block Transfer Mode Transfer Activated by  $\overline{\text{EDREQ}}$  Pin Falling Edge**

$\overline{\text{EDREQ}}$  pin sampling is performed in each cycle starting at the next rise of  $\phi$  after the end of the EDMDR write cycle for setting the transfer-enabled state.

When a low level is sampled at the  $\overline{\text{EDREQ}}$  pin while acceptance via the  $\overline{\text{EDREQ}}$  pin is possible, the request is held within the EXDMAC. Then when activation is initiated within the EXDMAC, the request is cleared, and  $\overline{\text{EDREQ}}$  pin high level sampling for edge sensing is started. If  $\overline{\text{EDREQ}}$  pin high level sampling is completed by the end of the DMA write cycle, acceptance resumes after the end of the write cycle, and  $\overline{\text{EDREQ}}$  pin low level sampling is performed again; this sequence of operations is repeated until the end of the transfer.

**$\overline{\text{EDREQ}}$  Pin Low Level Activation Timing:** Figure 8.20 shows an example of normal mode transfer activated by the  $\overline{\text{EDREQ}}$  pin low level.

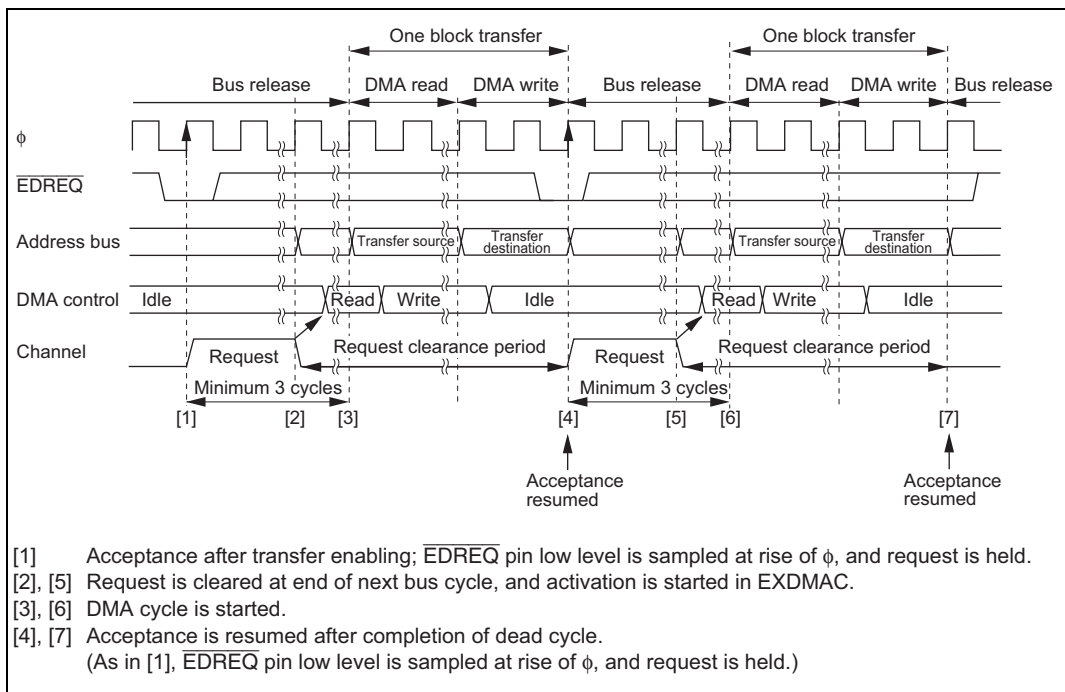


**Figure 8.20 Example of Normal Mode Transfer Activated by  $\overline{\text{EDREQ}}$  Pin Low Level**

$\overline{\text{EDREQ}}$  pin sampling is performed in each cycle starting at the next rise of  $\phi$  after the end of the EDMDR write cycle for setting the transfer-enabled state.

When a low level is sampled at the  $\overline{\text{EDREQ}}$  pin while acceptance via the  $\overline{\text{EDREQ}}$  pin is possible, the request is held within the EXDMAC. Then when activation is initiated within the EXDMAC, the request is cleared. At the end of the write cycle, acceptance resumes and  $\overline{\text{EDREQ}}$  pin low level sampling is performed again; this sequence of operations is repeated until the end of the transfer.

Figure 8.21 shows an example of block transfer mode transfer activated by the  $\overline{\text{EDREQ}}$  pin low level.



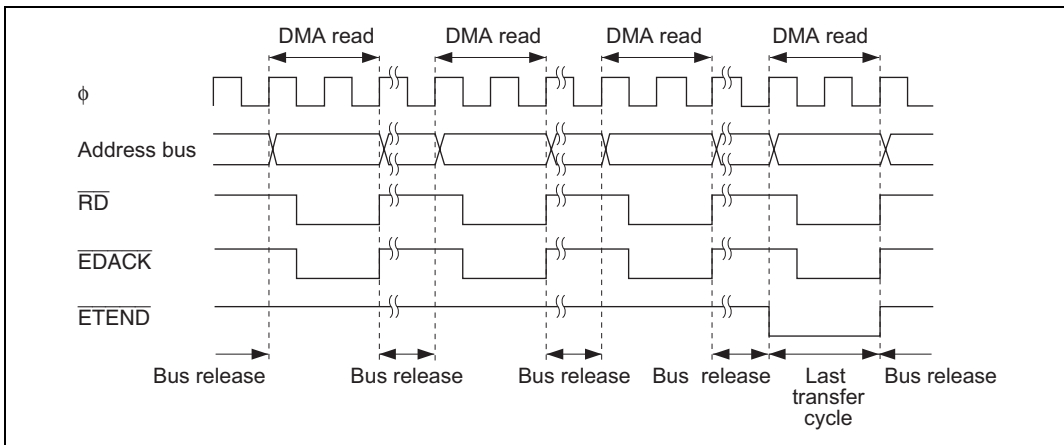
**Figure 8.21 Example of Block Transfer Mode Transfer Activated by  $\overline{\text{EDREQ}}$  Pin Low Level**

$\overline{\text{EDREQ}}$  pin sampling is performed in each cycle starting at the next rise of  $\phi$  after the end of the EDMDR write cycle for setting the transfer-enabled state.

When a low level is sampled at the  $\overline{\text{EDREQ}}$  pin while acceptance via the  $\overline{\text{EDREQ}}$  pin is possible, the request is held within the EXDMAC. Then when activation is initiated within the EXDMAC, the request is cleared. At the end of the write cycle, acceptance resumes and  $\overline{\text{EDREQ}}$  pin low level sampling is performed again; this sequence of operations is repeated until the end of the transfer.

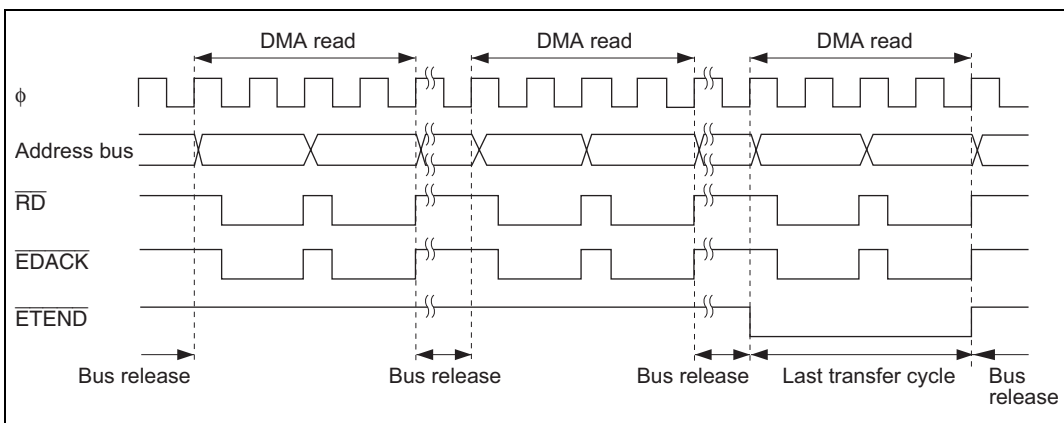
### 8.4.10 EXDMAC Bus Cycles (Single Address Mode)

**Single Address Mode (Read):** Figure 8.22 shows an example of transfer when  $\overline{\text{ETEND}}$  output is enabled, and byte-size, single address mode transfer (read) is performed from external 8-bit, 2-state access space to an external device.



**Figure 8.22 Example of Single Address Mode (Byte Read) Transfer**

Figure 8.23 shows an example of transfer when  $\overline{\text{ETEND}}$  output is enabled, and word-size, single address mode transfer (read) is performed from external 8-bit, 2-state access space to an external device.

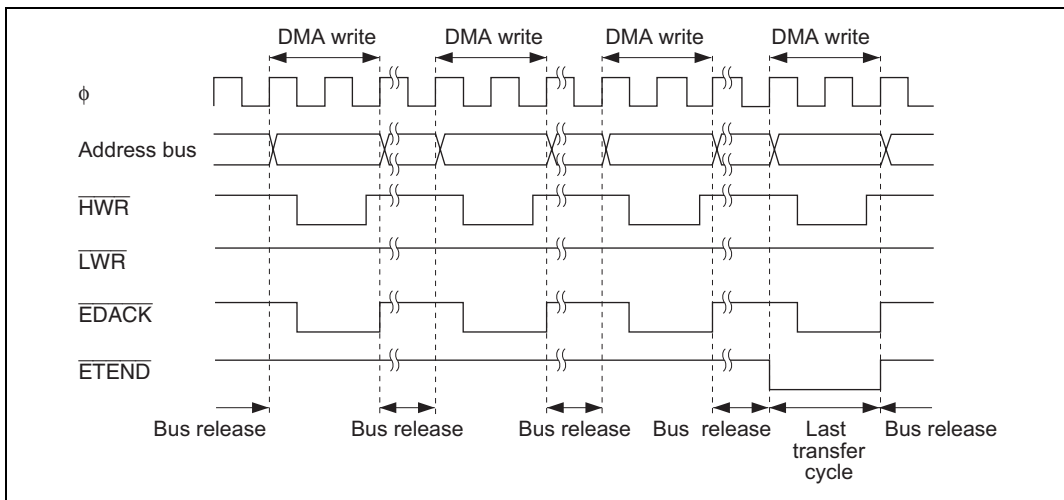


**Figure 8.23 Example of Single Address Mode (Word Read) Transfer**



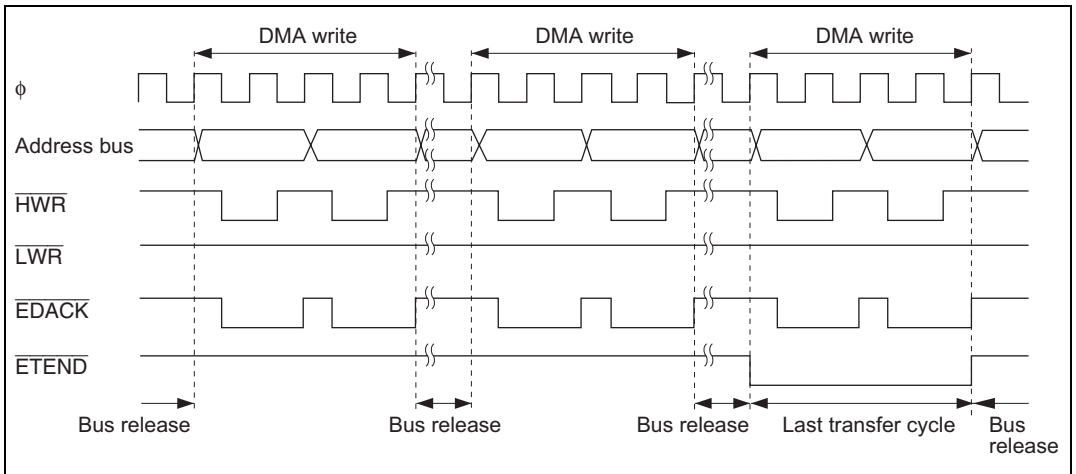
After one byte or word has been transferred in response to one transfer request, the bus is released. While the bus is released, one or more CPU, DMAC, or DTC bus cycles are initiated.

**Single Address Mode (Write):** Figure 8.24 shows an example of transfer when  $\overline{\text{ETEND}}$  output is enabled, and byte-size, single address mode transfer (write) is performed from an external device to external 8-bit, 2-state access space.



**Figure 8.24 Example of Single Address Mode (Byte Write) Transfer**

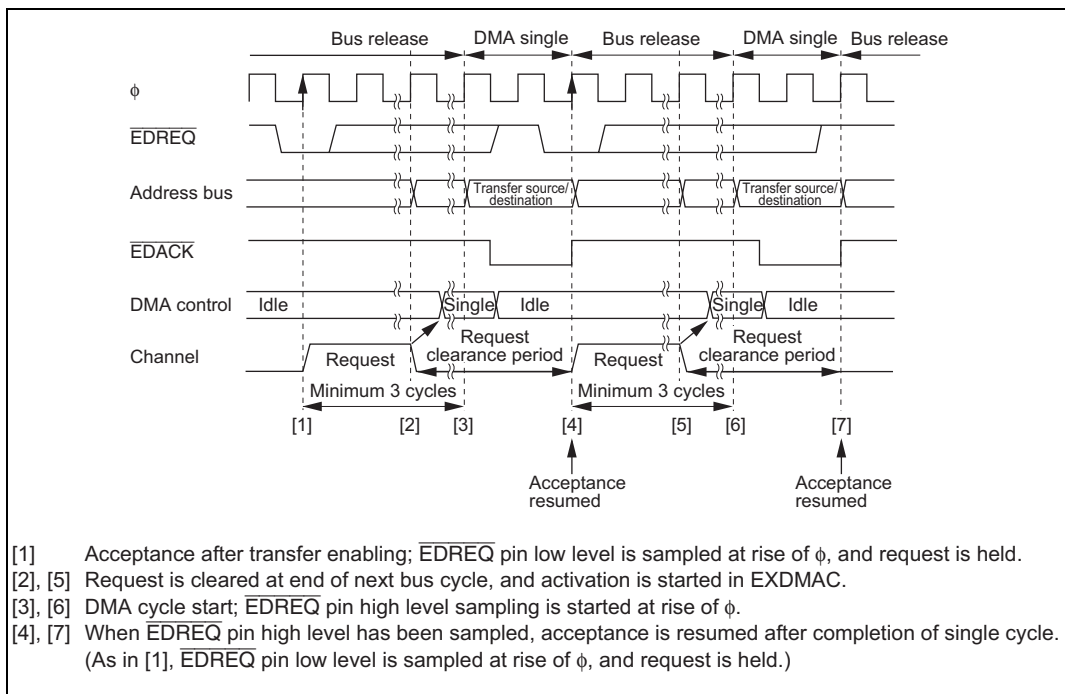
Figure 8.25 shows an example of transfer when  $\overline{\text{ETEND}}$  output is enabled, and word-size, single address mode transfer (write) is performed from an external device to external 8-bit, 2-state access space.



**Figure 8.25 Example of Single Address Mode (Word Write) Transfer**

After one byte or word has been transferred in response to one transfer request, the bus is released. While the bus is released, one or more CPU, DMAC, or DTC bus cycles are initiated.

**EDREQ Pin Falling Edge Activation Timing:** Figure 8.26 shows an example of single address mode transfer activated by the EDREQ pin falling edge.

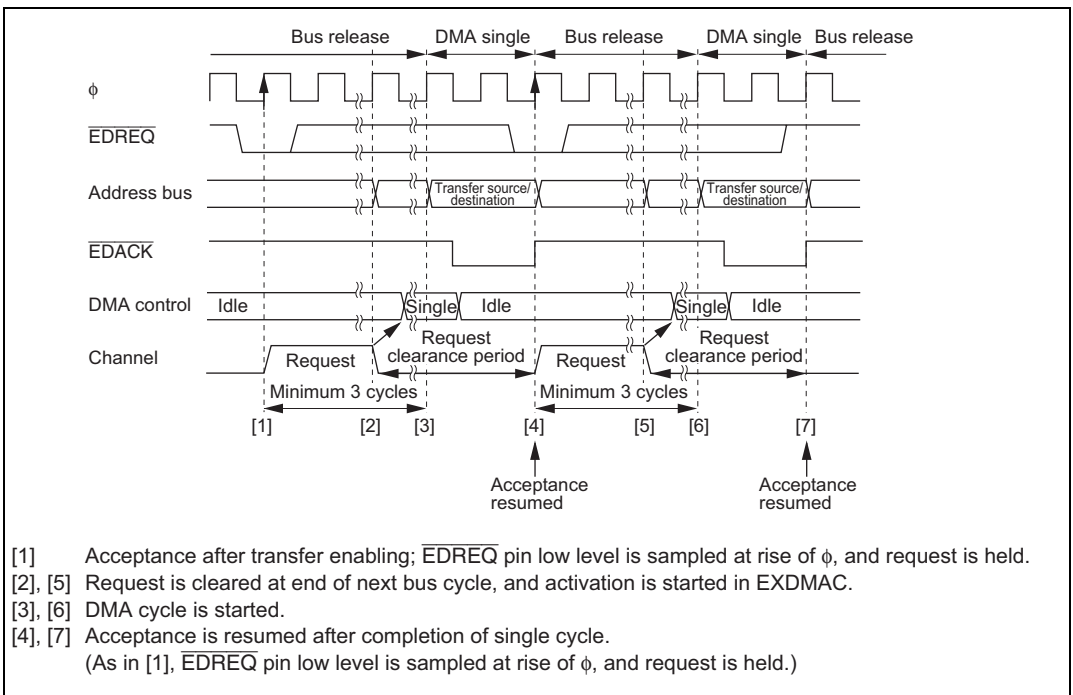


**Figure 8.26 Example of Single Address Mode Transfer Activated by  $\overline{\text{EDREQ}}$  Pin Falling Edge**

$\overline{\text{EDREQ}}$  pin sampling is performed in each cycle starting at the next rise of  $\phi$  after the end of the EXMDR write cycle for setting the transfer-enabled state.

When a low level is sampled at the  $\overline{\text{EDREQ}}$  pin while acceptance via the  $\overline{\text{EDREQ}}$  pin is possible, the request is held within the EXDMAC. Then when activation is initiated within the EXDMAC, the request is cleared, and  $\overline{\text{EDREQ}}$  pin high level sampling for edge sensing is started. If  $\overline{\text{EDREQ}}$  pin high level sampling is completed by the end of the DMA single cycle, acceptance resumes after the end of the single cycle, and  $\overline{\text{EDREQ}}$  pin low level sampling is performed again; this sequence of operations is repeated until the end of the transfer.

**$\overline{\text{EDREQ}}$  Pin Low Level Activation Timing:** Figure 8.27 shows an example of single address mode transfer activated by the  $\overline{\text{EDREQ}}$  pin low level.



**Figure 8.27 Example of Single Address Mode Transfer Activated by  $\overline{\text{EDREQ}}$  Pin Low Level**

$\overline{\text{EDREQ}}$  pin sampling is performed in each cycle starting at the next rise of  $\phi$  after the end of the EXMDR write cycle for setting the transfer-enabled state.

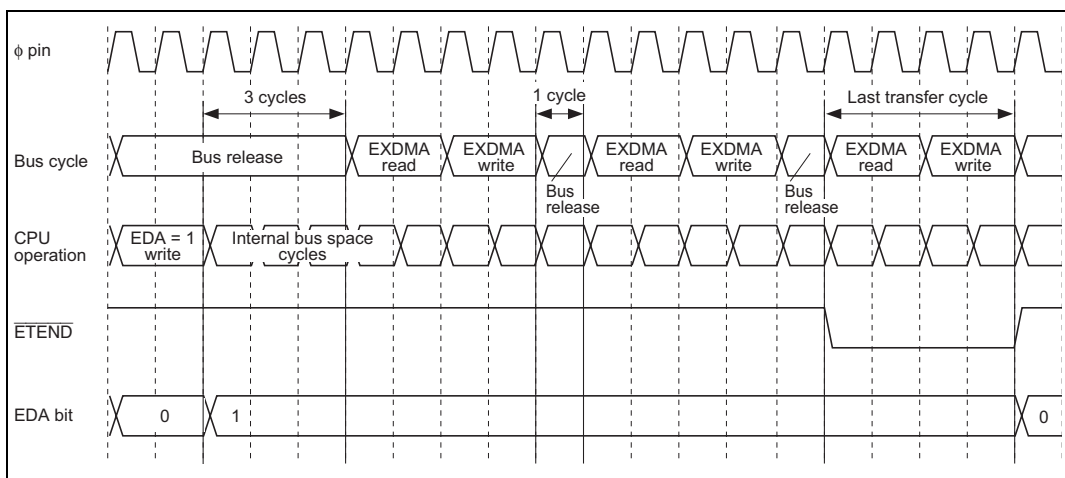
When a low level is sampled at the  $\overline{\text{EDREQ}}$  pin while acceptance via the  $\overline{\text{EDREQ}}$  pin is possible, the request is held within the EXDMAC. Then when activation is initiated within the EXDMAC, the request is cleared. At the end of the single cycle, acceptance resumes and  $\overline{\text{EDREQ}}$  pin low level sampling is performed again; this sequence of operations is repeated until the end of the transfer.

### 8.4.11 Examples of Operation Timing in Each Mode

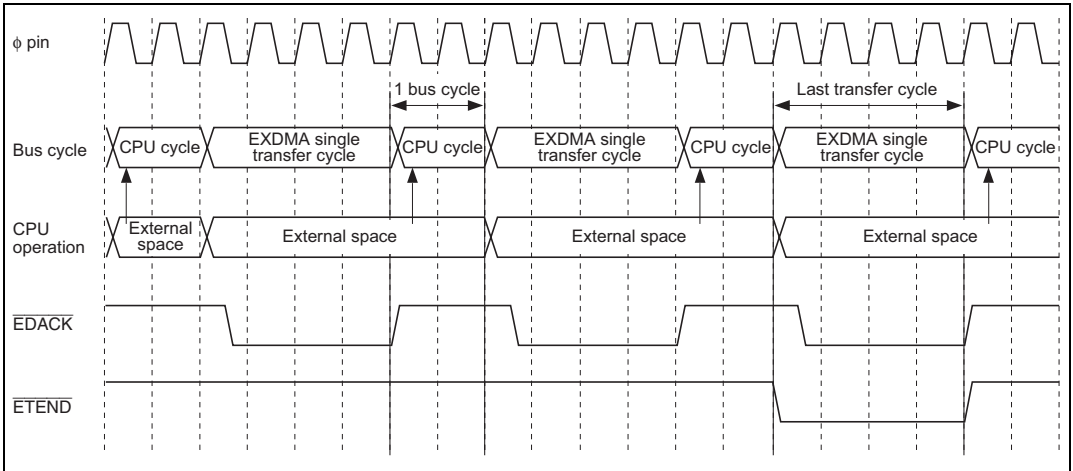
**Auto Request/Cycle Steal Mode/Normal Transfer Mode:** When the EDA bit is set to 1 in EDMDR, an EXDMA transfer cycle is started a minimum of three cycles later. There is a one-cycle bus release interval between the end of a one-transfer-unit EXDMA cycle and the start of the next transfer.

If there is a transfer request for another channel of higher priority, the transfer request by the original channel is held pending, and transfer is performed on the higher-priority channel from the next transfer. Transfer on the original channel is resumed on completion of the higher-priority channel transfer.

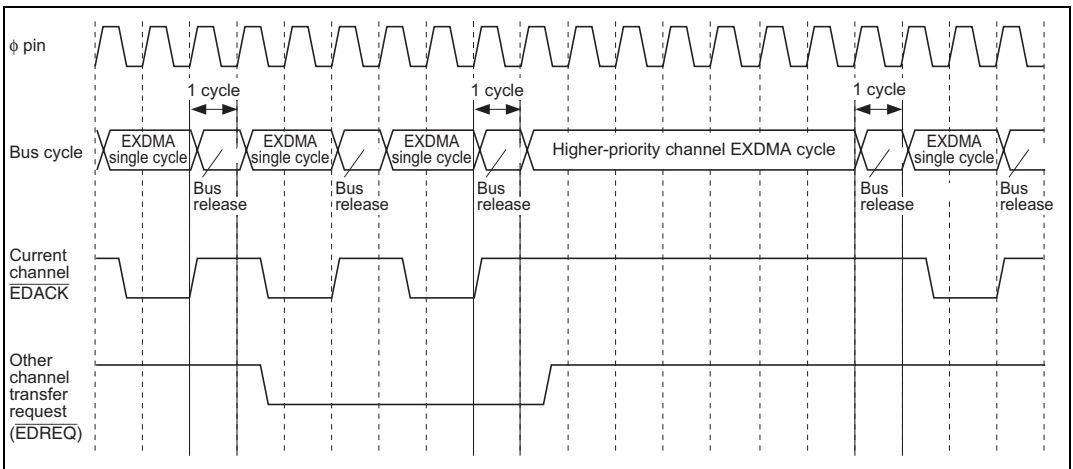
Figures 8.28 to 8.30 show operation timing examples for various conditions.



**Figure 8.28 Auto Request/Cycle Steal Mode/Normal Transfer Mode  
(No Contention/Dual Address Mode)**



**Figure 8.29 Auto Request/Cycle Steal Mode/Normal Transfer Mode  
(CPU Cycles/Single Address Mode)**



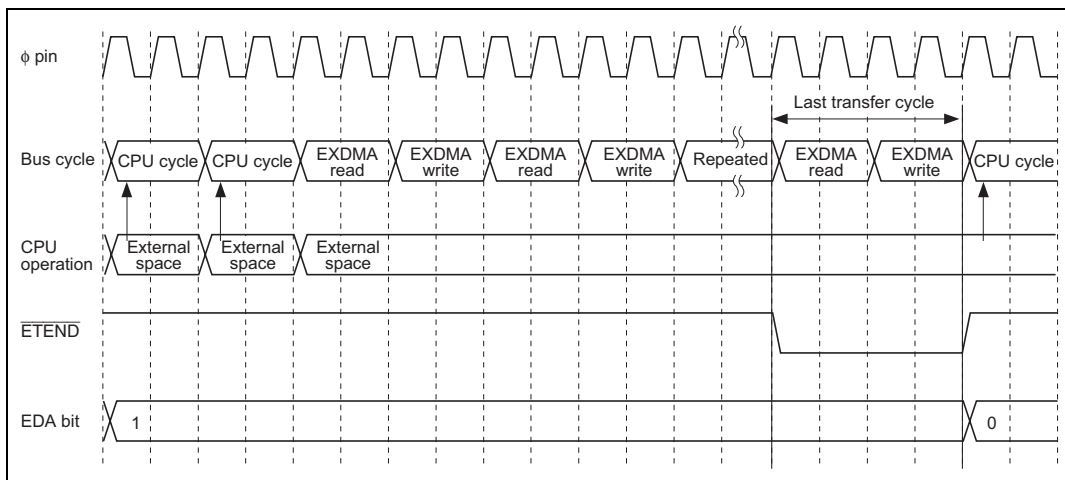
**Figure 8.30 Auto Request/Cycle Steal Mode/Normal Transfer Mode  
(Contention with Another Channel/Single Address Mode)**

**Auto Request/Burst Mode/Normal Transfer Mode:** When the EDA bit is set to 1 in EDMDR, an EXDMA transfer cycle is started a minimum of three cycles later. Once transfer is started, it continues (as a burst) until the transfer end condition is satisfied.

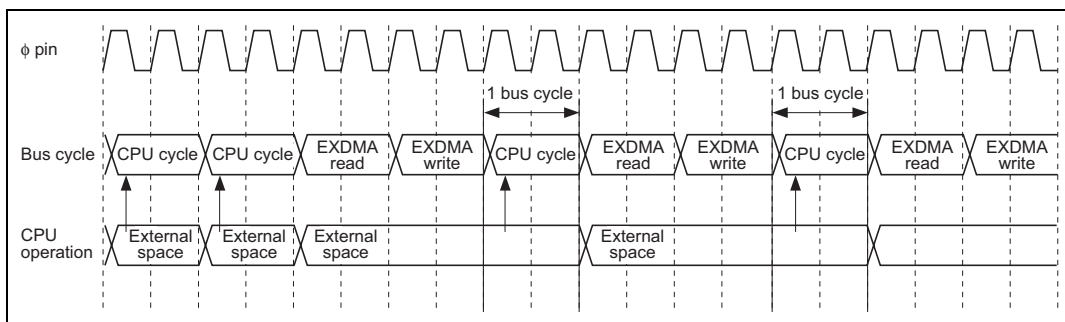
If the BGUP bit is 1 in EDMDR, the bus is transferred in the event of a bus request from another bus master.

Transfer requests for other channels are held pending until the end of transfer on the current channel.

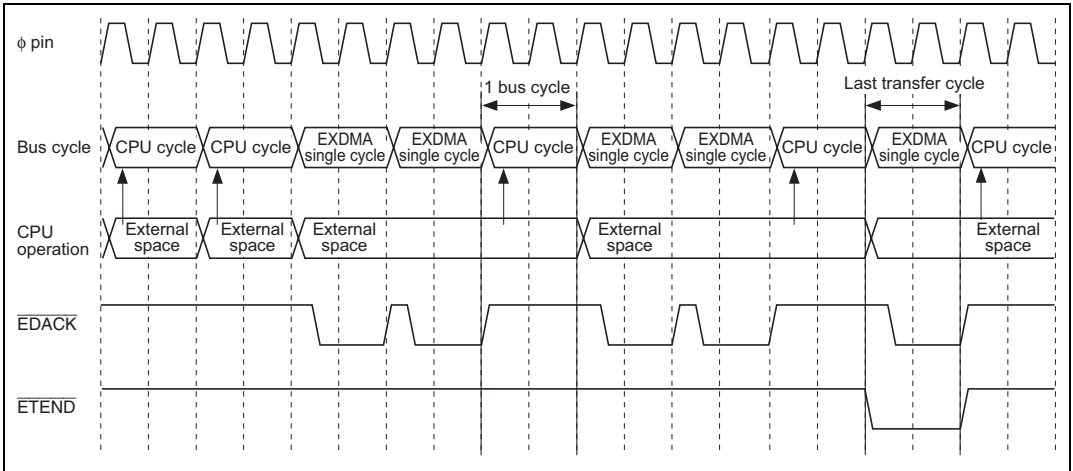
Figures 8.31 to 8.34 show operation timing examples for various conditions.



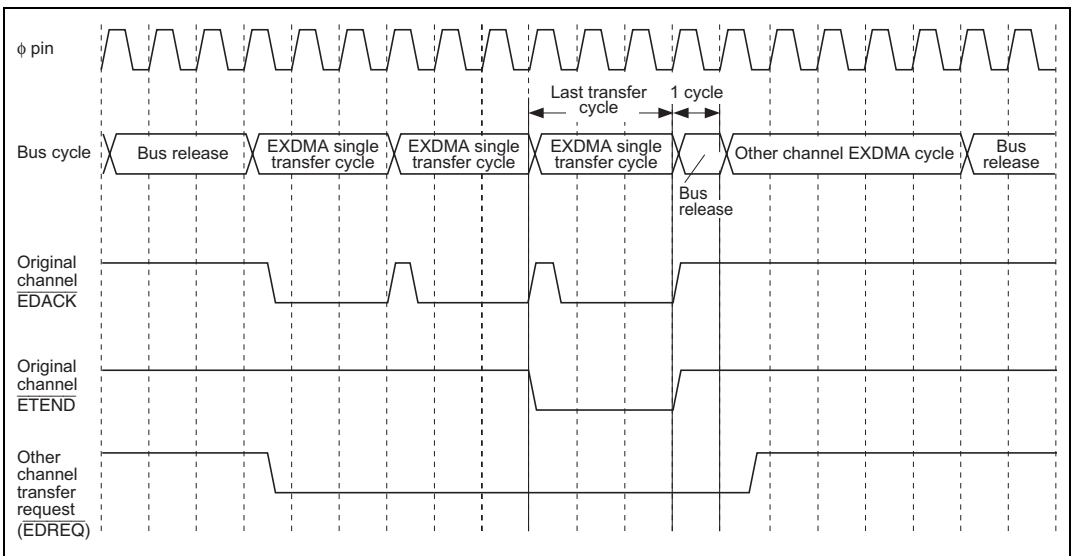
**Figure 8.31 Auto Request/Burst Mode/Normal Transfer Mode  
(CPU Cycles/Dual Address Mode/BGUP = 0)**



**Figure 8.32 Auto Request/Burst Mode/Normal Transfer Mode  
(CPU Cycles/Dual Address Mode/BGUP = 1)**



**Figure 8.33 Auto Request/Burst Mode/Normal Transfer Mode  
(CPU Cycles/Single Address Mode/BGUP = 1)**



**Figure 8.34 Auto Request/Burst Mode/Normal Transfer Mode  
(Contention with Another Channel/Single Address Mode)**

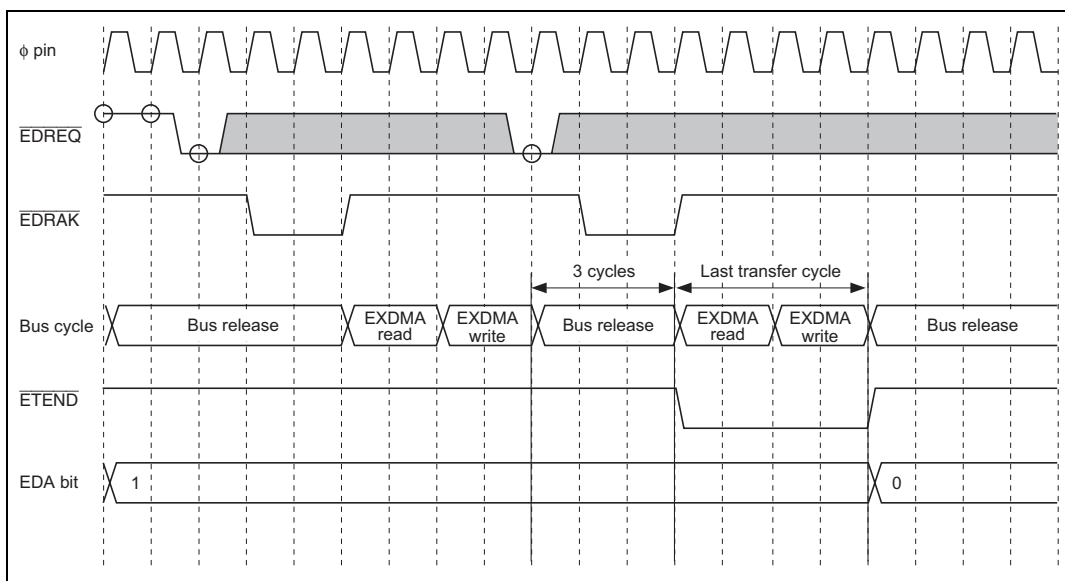


**External Request/Cycle Steal Mode/Normal Transfer Mode:** In external request mode, an EXDMA transfer cycle is started a minimum of three cycles after a transfer request is accepted. The next transfer request is accepted after the end of a one-transfer-unit EXDMA cycle. For external bus space CPU cycles, at least two bus cycles are generated before the next EXDMA cycle.

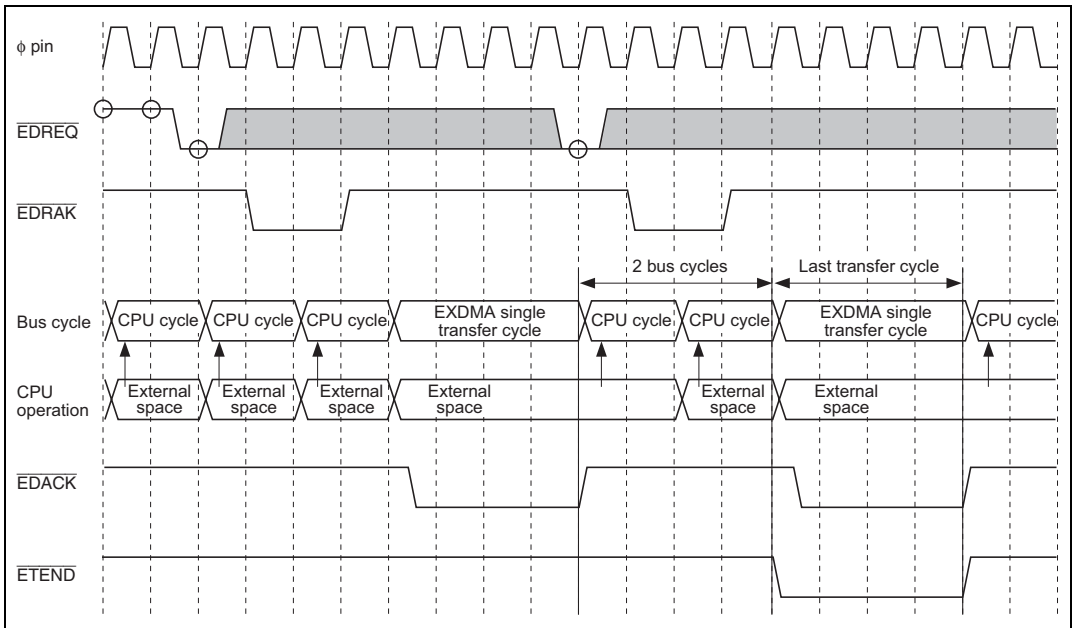
If a transfer request is generated for another channel, an EXDMA cycle for the other channel is generated before the next EXDMA cycle.

The  $\overline{\text{EDREQ}}$  pin sensing timing is different for low level sensing and falling edge sensing. The same applies to transfer request acceptance and transfer start timing.

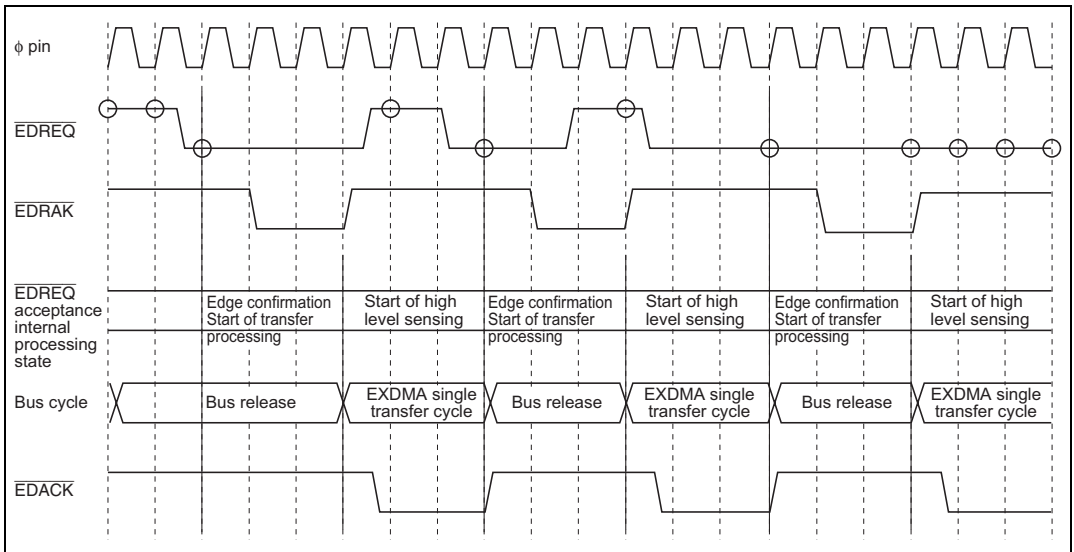
Figures 8.35 to 8.38 show operation timing examples for various conditions.



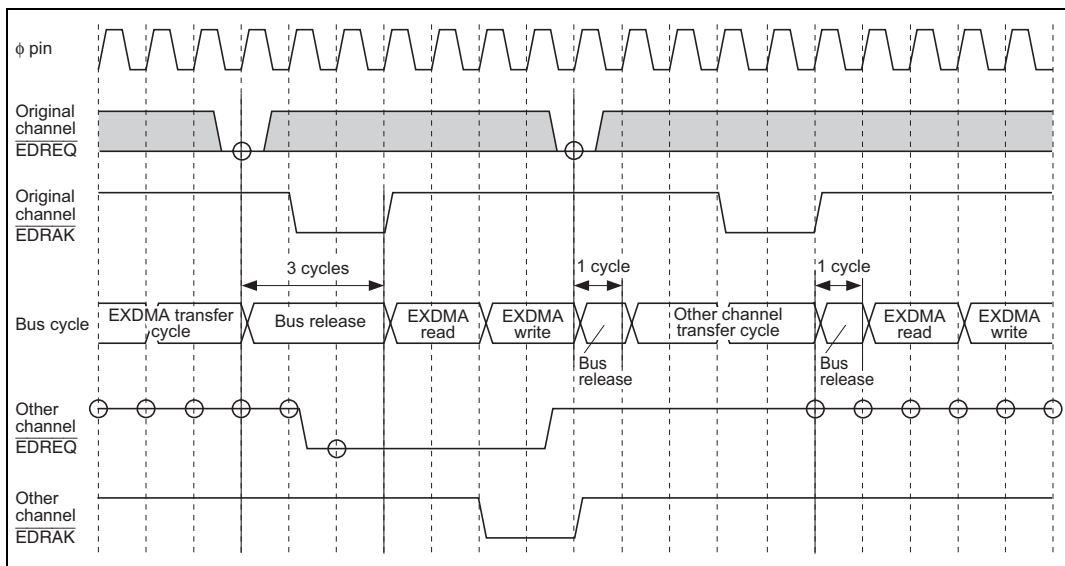
**Figure 8.35 External Request/Cycle Steal Mode/Normal Transfer Mode  
(No Contention/Dual Address Mode/Low Level Sensing)**



**Figure 8.36 External Request/Cycle Steal Mode/Normal Transfer Mode  
(CPU Cycles/Single Address Mode/Low Level Sensing)**



**Figure 8.37 External Request/Cycle Steal Mode/Normal Transfer Mode  
(No Contention/Single Address Mode/Falling Edge Sensing)**



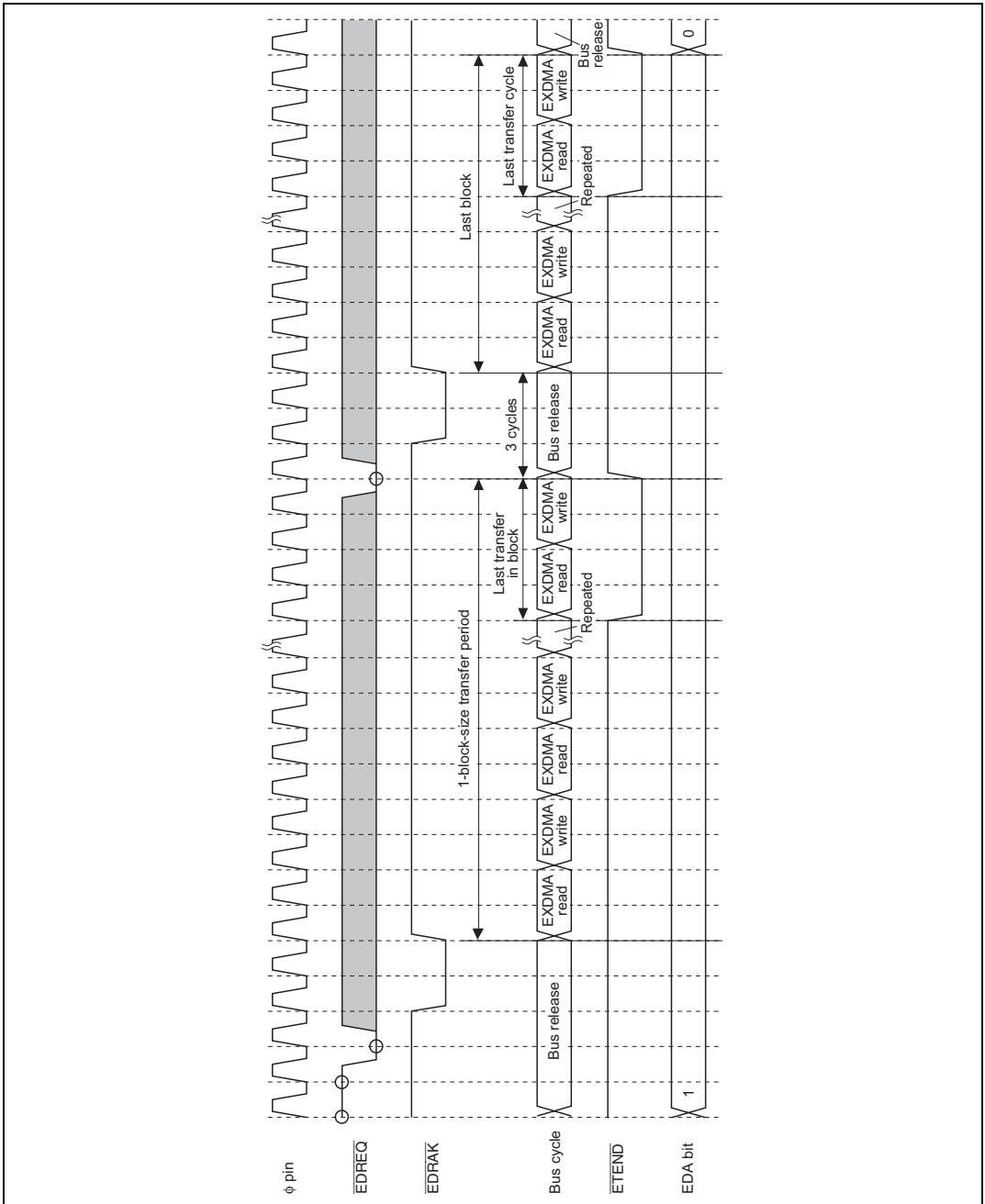
**Figure 8.38 External Request/Cycle Steal Mode/Normal Transfer Mode Contention with Another Channel/Dual Address Mode/Low Level Sensing**

**External Request/Cycle Steal Mode/Block Transfer Mode:** In block transfer mode, transfer of one block is performed continuously in the same way as in burst mode. The timing of the start of the next block transfer is the same as in normal transfer mode.

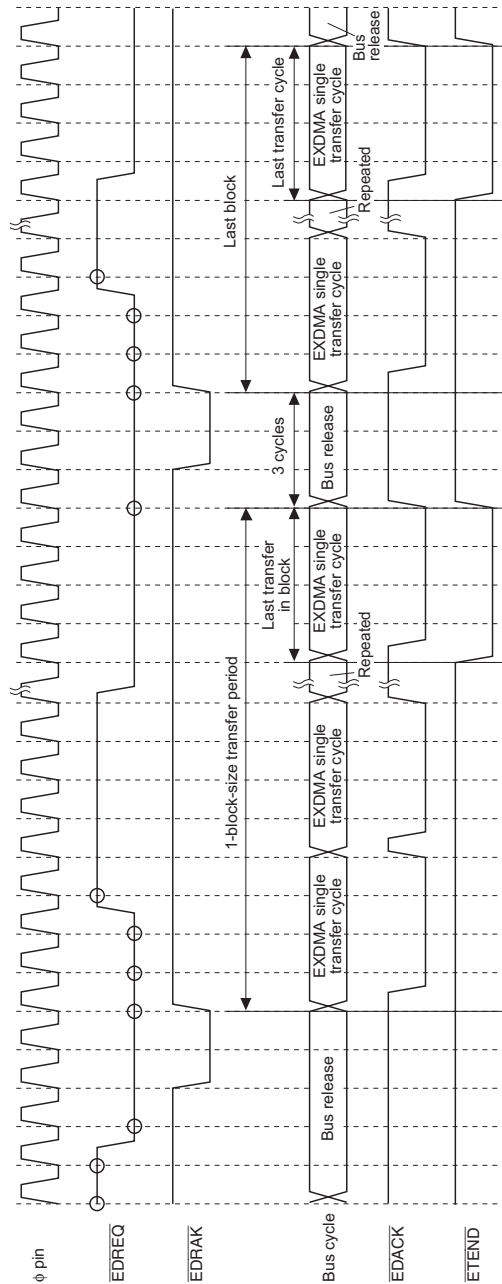
If a transfer request is generated for another channel, an EXDMA cycle for the other channel is generated before the next block transfer.

The  $\overline{\text{EDREQ}}$  pin sensing timing is different for low level sensing and falling edge sensing. The same applies to transfer request acceptance and transfer start timing.

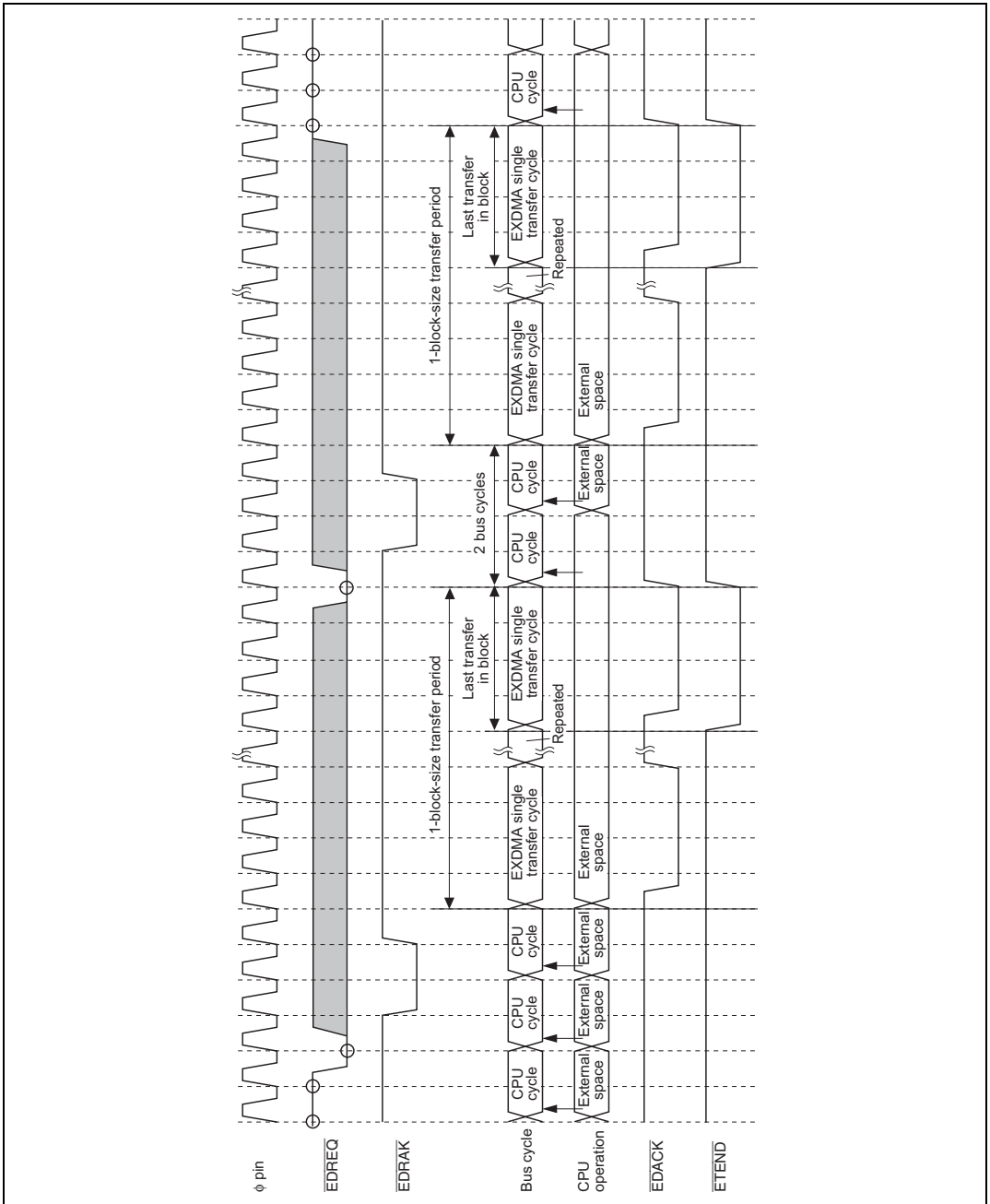
Figures 8.39 to 8.44 show operation timing examples for various conditions.



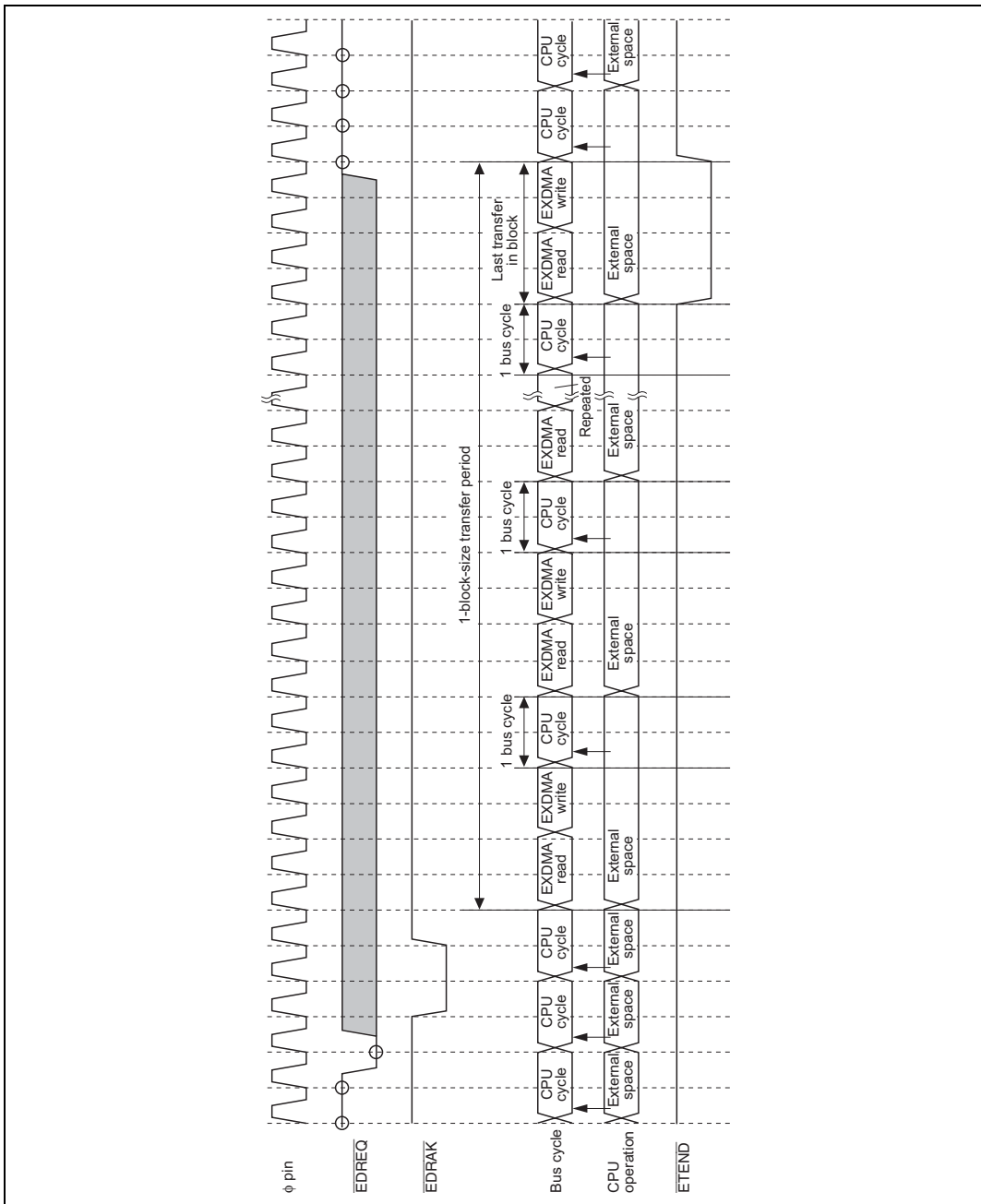
**Figure 8.39 External Request/Cycle Steal Mode/Block Transfer Mode  
(No Contention/Dual Address Mode/Low Level Sensing/BGUP = 0)**



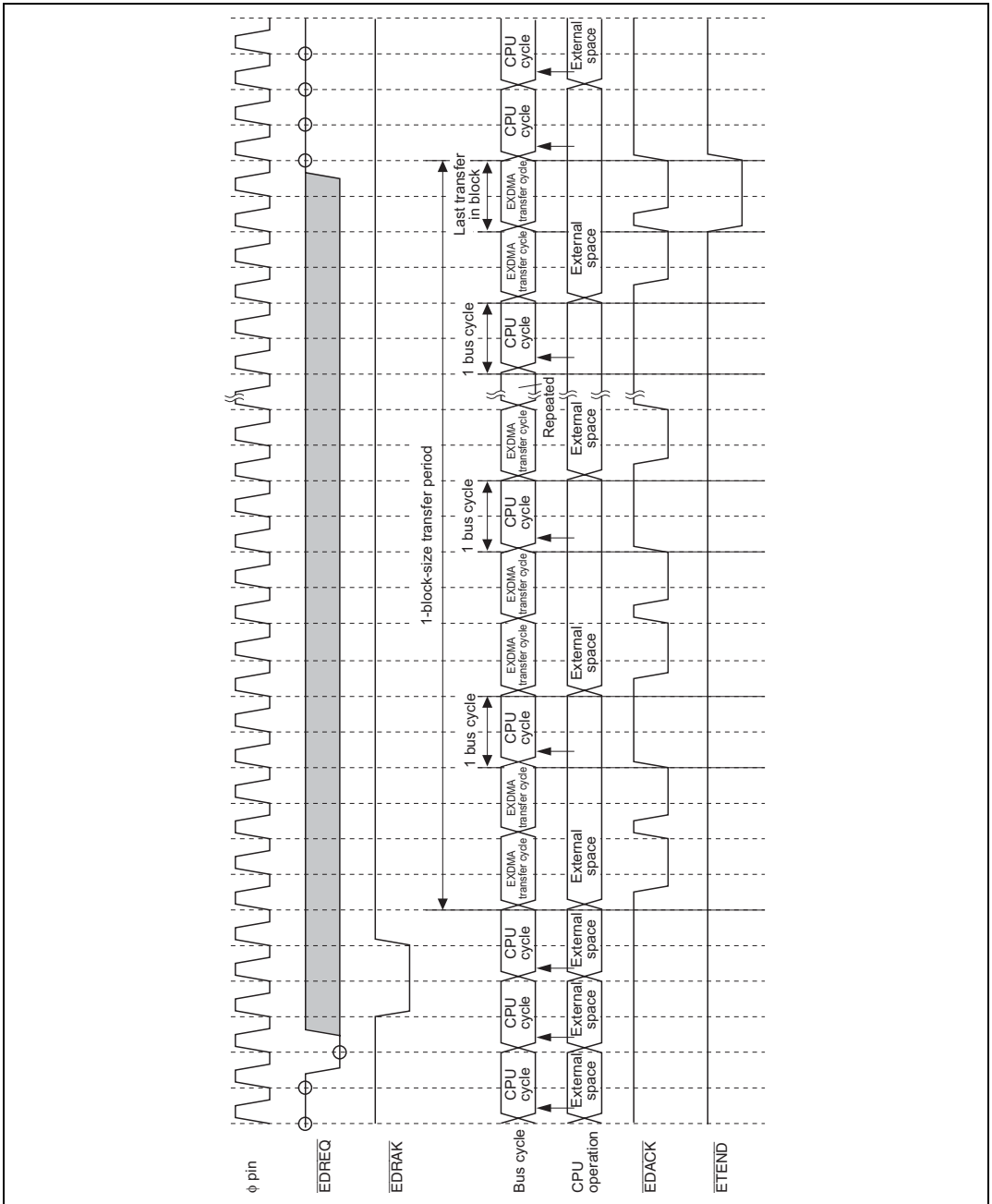
**Figure 8.40 External Request/Cycle Steal Mode/Block Transfer Mode  
(No Contention/Single Address Mode/Falling Edge Sensing/BGUP = 0)**



**Figure 8.41 External Request/Cycle Steal Mode/Block Transfer Mode  
(CPU Cycles/Single Address Mode/Low Level Sensing/BGUP = 0)**

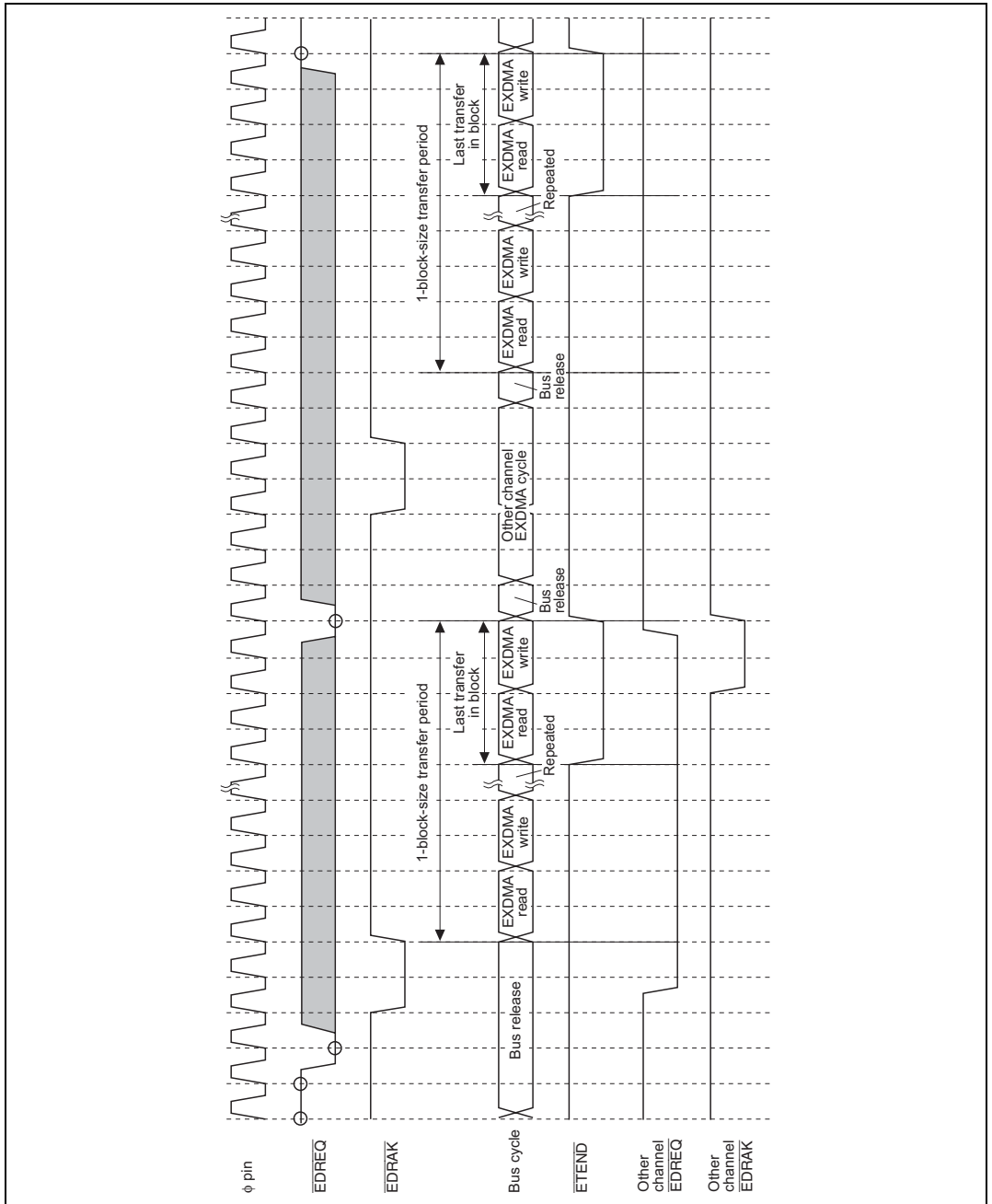


**Figure 8.42 External Request/Cycle Steal Mode/Block Transfer Mode  
(CPU Cycles/Dual Address Mode/Low Level Sensing/BGUP = 1)**



**Figure 8.43 External Request/Cycle Steal Mode/Block Transfer Mode  
(CPU Cycles/Single Address Mode/Low Level Sensing/BGUP = 1)**





**Figure 8.44 External Request/Cycle Steal Mode/Block Transfer Mode  
(Contention with Another Channel/Dual Address Mode/Low Level Sensing)**

### 8.4.12 Ending DMA Transfer

The operation for ending DMA transfer depends on the transfer end conditions. When DMA transfer ends, the EDA bit in EDMDR changes from 1 to 0, indicating that DMA transfer has ended.

**Transfer End by 1 → 0 Transition of EDTCR:** When the value of EDTCR changes from 1 to 0, DMA transfer ends on the corresponding channel and the EDA bit in EDMDR is cleared to 0. If the TCEIE bit in EDMDR is set at this time, a transfer end interrupt request is generated by the transfer counter and the IRF bit in EDMDR is set to 1.

In block transfer mode, DMA transfer ends when the value of bits 15 to 0 in EDTCR changes from 1 to 0.

DMA transfer does not end if the EDTCR value has been 0 since before the start of transfer.

**Transfer End by Repeat Area Overflow Interrupt:** If an address overflows the repeat area when a repeat area specification has been made and repeat interrupts have been enabled (with the SARIE or DARIE bit in EDACR), a repeat area overflow interrupt is requested. DMA transfer ends, the EDA bit in EDMDR is cleared to 0, and the IRF bit in EDMDR is set to 1.

In dual address mode, if a repeat area overflow interrupt is requested during a read cycle, the following write cycle processing is still executed.

In block transfer mode, if a repeat area overflow interrupt is requested during transfer of a block, transfer continues to the end of the block. Transfer end by means of a repeat area overflow interrupt occurs between block-size transfers.

**Transfer End by 0-Write to EDA Bit in EDMDR:** When 0 is written to the EDA bit in EDMDR by the CPU, etc., transfer ends after completion of the DMA cycle in which transfer is in progress or a transfer request was accepted.

In block transfer mode, DMA transfer halts after completion of one-block-size transfer.

The EDA bit in EDMDR is not cleared to 0 until all transfer processing has ended. Up to that point, the value of the EDA bit will be read as 1.

**Transfer Abort by NMI Interrupt:** DMA transfer is aborted when an NMI interrupt is generated. The EDA bit is cleared to 0 in all channels. In external request mode, DMA transfer is performed for all transfer requests for which EDRAK has been output. In dual address mode, processing is executed for the write cycle following the read cycle.

In block transfer mode, operation is aborted even in the middle of a block-size transfer. As the transfer is halted midway through a block, the BEF bit in EDMDR is set to 1 to indicate that the block transfer was not carried out normally.

When transfer is aborted, register values are retained, and as the address registers indicate the next transfer addresses, transfer can be resumed by setting the EDA bit to 1 in EDMDR. If the BEF bit is 1 in EDMDR, transfer can be resumed from midway through a block.

**Hardware Standby Mode and Reset Input:** The EXDMAC is initialized in hardware standby mode and by a reset. DMA transfer is not guaranteed in these cases.

#### 8.4.13 Relationship between EXDMAC and Other Bus Masters

The read and write operations in a DMA transfer cycle are indivisible, and a refresh cycle, external bus release cycle, or internal bus master (CPU, DTC, or DMAC) external space access cycle never occurs between the two.

When read and write cycles occur consecutively, as in burst transfer or block transfer, a refresh or external bus release state may be inserted after the write cycle. As the internal bus masters are of lower priority than the EXDMAC, external space accesses by internal bus masters are not executed until the EXDMAC releases the bus.

The EXDMAC releases the bus in the following cases:

1. When DMA transfer is performed in cycle steal mode
2. When switching to a different channel
3. When transfer ends in burst transfer mode
4. When transfer of one block ends in block transfer mode
5. When burst transfer or block transfer is performed with the BGUP bit in EDMDR set to 1 (however, the bus is not released between read and write cycles)

## 8.5 Interrupt Sources

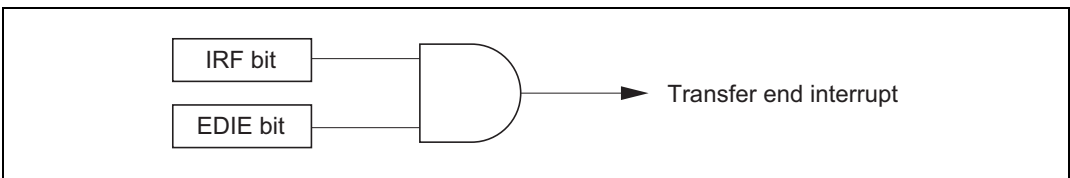
EXDMAC interrupt sources are a transfer end indicated by the transfer counter, and repeat area overflow interrupts. Table 8.4 shows the interrupt sources and their priority order.

**Table 8.4 Interrupt Sources and Priority Order**

| Interrupt | Interrupt source                                     | Interrupt Priority |
|-----------|--|--------------------|
| EXDMTEND2 | Transfer end indicated by channel 2 transfer counter | High               |
|           | Channel 2 source address repeat area overflow        |                    |
|           | Channel 2 destination address repeat area overflow   |                    |
| EXDMTEND3 | Transfer end indicated by channel 3 transfer counter | Low                |
|           | Channel 3 source address repeat area overflow        |                    |
|           | Channel 3 destination address repeat area overflow   |                    |

Interrupt sources can be enabled or disabled by means of the EDIE bit in EDMDR for the relevant channel, and can be sent to the interrupt controller independently. The relative priority order of the channels is determined by the interrupt controller (see table 8.4).

Figure 8.45 shows the transfer end interrupt logic. A transfer end interrupt is generated whenever the EDIE bit is set to 1 while the IRF bit is set to 1 in EDMDR.

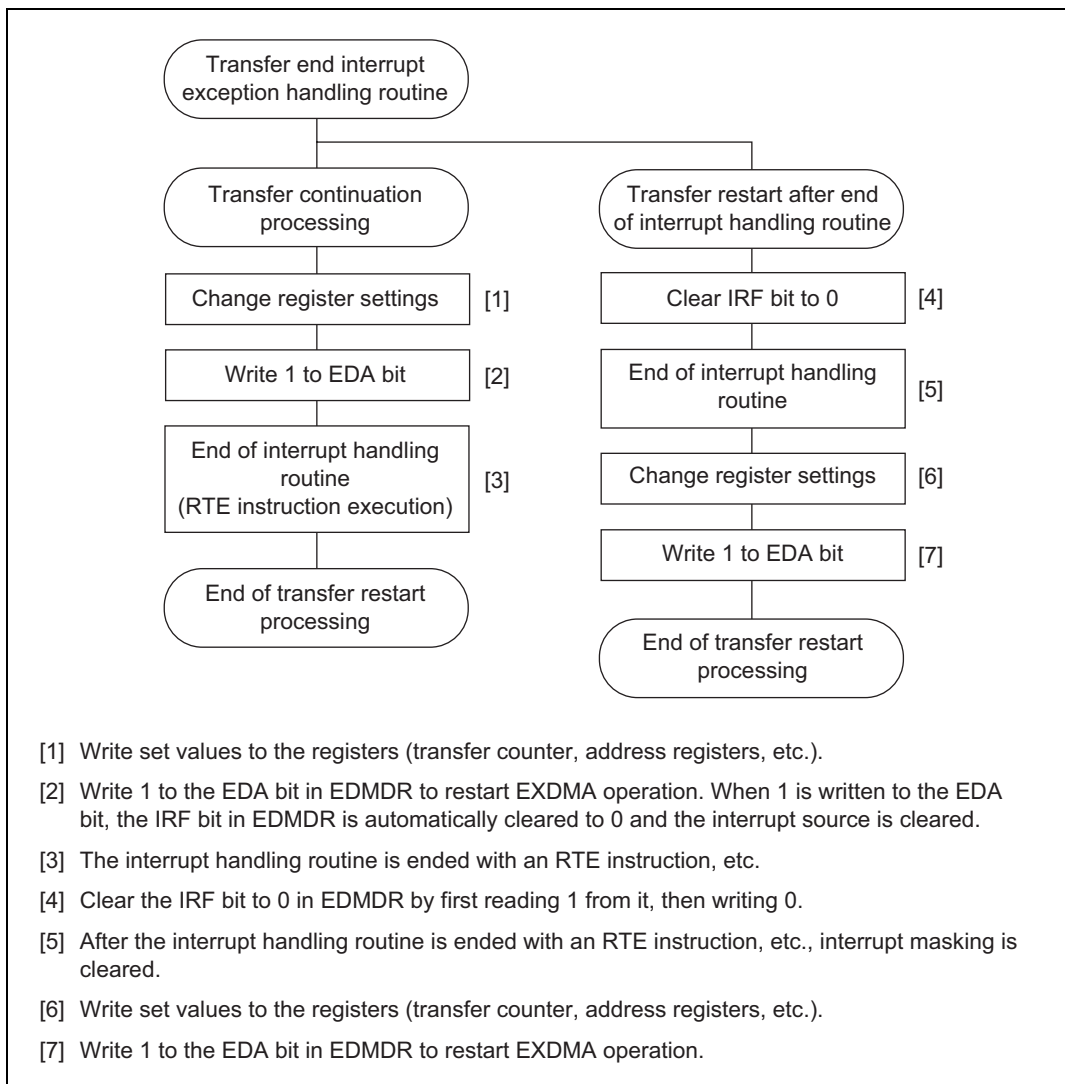


**Figure 8.45 Transfer End Interrupt Logic**

Interrupt source settings are made individually with the interrupt enable bits in the registers for the relevant channels. The transfer counter's transfer end interrupt is enabled or disabled by means of the TCEIE bit in EDMDR, the source address register repeat area overflow interrupt by means of the SARIE bit in EDACR, and the destination address register repeat area overflow interrupt by means of the DARIE bit in EDACR. When an interrupt source occurs while the corresponding interrupt enable bit is set to 1, the IRF bit in EDMDR is set to 1. The IRF bit is set by all interrupt sources indiscriminately.

The transfer end interrupt can be cleared either by clearing the IRF bit to 0 in EDMDR within the interrupt handling routine, or by re-setting the transfer counter and address registers and then

setting the EDA bit to 1 in EDMDR to perform transfer continuation processing. An example of the procedure for clearing the transfer end interrupt and restarting transfer is shown in figure 8.46.



**Figure 8.46 Example of Procedure for Restarting Transfer on Channel in which Transfer End Interrupt Occurred**

## 8.6 Usage Notes

### 8.6.1 EXDMAC Register Access during Operation

Except for clearing the EDA bit to 0 in EDMDR, settings should not be changed for a channel in operation (including the transfer standby state). Transfer must be disabled before changing a setting for an operational channel.

### 8.6.2 Module Stop State

When the MSTP14 bit is set to 1 in MSTPCRH, the EXDMAC clock stops and the EXDMAC enters the module stop state. However, 1 cannot be written to the MSTP14 bit when any of the EXDMAC's channels is enabled for transfer, or when an interrupt is being requested. Before setting the MSTP14 bit, first clear the EDA bit in EDMDR to 0, then clear the IRF or EDIE bit in EDMDR to 0.

When the EXDMAC clock stops, EXDMAC registers can no longer be accessed. The following EXDMAC register settings remain valid in the module stop state, and so should be changed, if necessary, before making the module stop transition.

- ETENDE = 1 in EDMDR ( $\overline{\text{ETEND}}$  pin enable)
- EDRAKE = 1 in EDMDR ( $\overline{\text{EDRAK}}$  pin enable)
- AMS = 1 in EDMDR ( $\overline{\text{EDACK}}$  pin enable)

### 8.6.3 $\overline{\text{EDREQ}}$ Pin Falling Edge Activation

Falling edge sensing on the  $\overline{\text{EDREQ}}$  pin is performed in synchronization with EXDMAC internal operations, as indicated below.

- [1] Activation request standby state: Waits for low level sensing on  $\overline{\text{EDREQ}}$  pin, then goes to [2].
- [2] Transfer standby state: Waits for EXDMAC data transfer to become possible, then goes to [3].
- [3] Activation request disabled state: Waits for high level sensing on  $\overline{\text{EDREQ}}$  pin, then goes to [1].

After EXDMAC transfer is enabled, the EXDMAC goes to state [1], so low level sensing is used for the initial activation after transfer is enabled.

#### 8.6.4 Activation Source Acceptance

At the start of activation source acceptance, low level sensing is used for both falling edge sensing and low level sensing on the  $\overline{\text{EDREQ}}$  pin. Therefore, a request is accepted in the case of a low level at the  $\overline{\text{EDREQ}}$  pin that occurs before execution of the EDMDR write for setting the transfer-enabled state.

When the EXDMAC is activated, make sure, if necessary, that a low level does not remain at the  $\overline{\text{EDREQ}}$  pin from the previous end of transfer, etc.

#### 8.6.5 Enabling Interrupt Requests when IRF = 1 in EDMDR

When transfer is started while the IRF bit is set to 1 in EDMDR, if the EDIE bit is set to 1 in EDMDR together with the EDA bit in EDMDR, enabling interrupt requests, an interrupt will be requested since  $\text{EDIE} = 1$  and  $\text{IRF} = 1$ . To prevent the occurrence of an erroneous interrupt request when transfer starts, ensure that the IRF bit is cleared to 0 before the EDIE bit is set to 1.

#### 8.6.6 $\overline{\text{ETEND}}$ Pin and CBR Refresh Cycle

If the last EXDMAC transfer cycle and a CBR refresh cycle occur simultaneously, note that although the CBR refresh and the last transfer cycle may be executed consecutively,  $\overline{\text{ETEND}}$  may also go low in this case for the refresh cycle.





## Section 9 Data Transfer Controller (DTC)

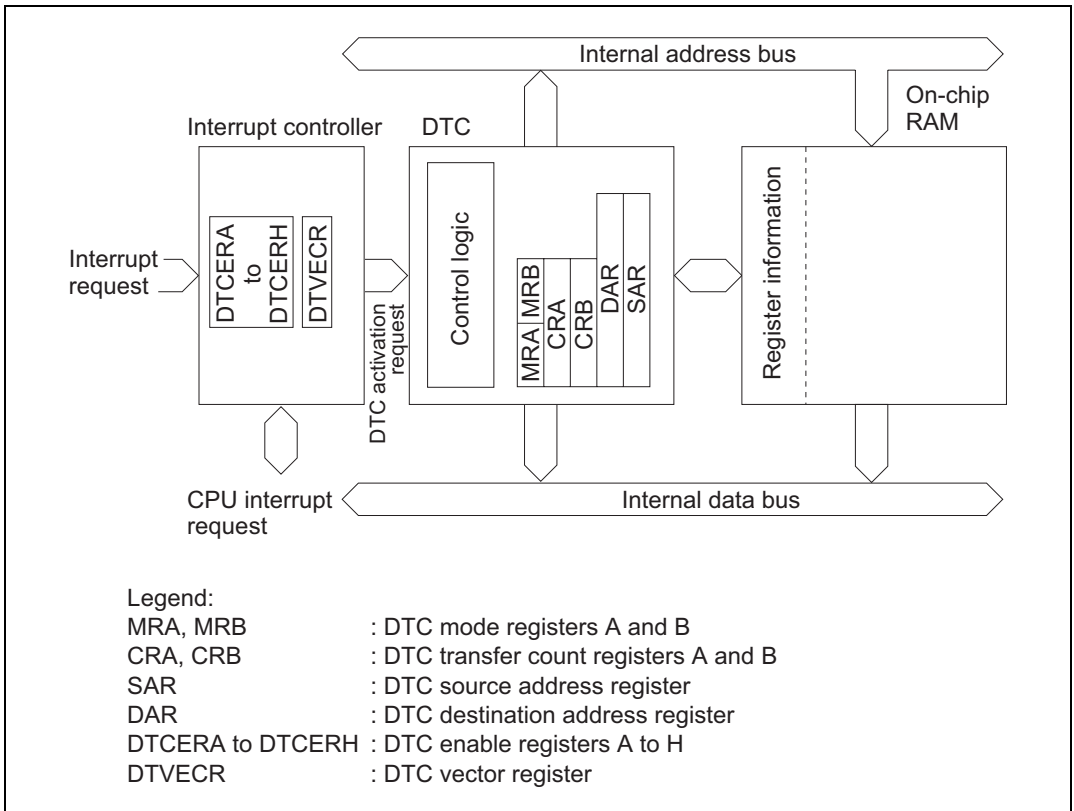
This LSI includes a data transfer controller (DTC). The DTC can be activated by an interrupt or software, to transfer data.

Figure 9.1 shows a block diagram of the DTC.

### 9.1 Features

- Transfer possible over any number of channels
- Three transfer modes
  - Normal mode
    - One operation transfers one byte or one word of data.
    - Memory address is incremented or decremented by 1 or 2.
    - From 1 to 65,536 transfers can be specified.
  - Repeat mode
    - One operation transfers one byte or one word of data.
    - Memory address is incremented or decremented by 1 or 2.
    - Once the specified number of transfers (1 to 256) has ended, the initial state is restored, and transfer is repeated.
  - Block transfer mode
    - One operation transfers one block of data.
    - The block size is 1 to 256 bytes or words.
    - From 1 to 65,536 transfers can be specified.
    - Either the transfer source or the transfer destination is designated as a block area.
- One activation source can trigger a number of data transfers (chain transfer)
- Direct specification of 16-Mbyte address space possible
- Activation by software is possible
- Transfer can be set in byte or word units
- A CPU interrupt can be requested for the interrupt that activated the DTC
- Module stop mode can be set

The DTC's register information is stored in the on-chip RAM. When the DTC is used, the RAME bit in SYSCR must be set to 1. A 32-bit bus connects the DTC to the on-chip RAM (1 kbyte), enabling 32-bit/1-state reading and writing of the DTC register information.



**Figure 9.1 Block Diagram of DTC**

## 9.2 Register Descriptions

DTC has the following registers.

- DTC mode register A (MRA)
- DTC mode register B (MRB)
- DTC source address register (SAR)
- DTC destination address register (DAR)
- DTC transfer count register A (CRA)
- DTC transfer count register B (CRB)

These six registers cannot be directly accessed from the CPU. When activated, the DTC reads a set of register information that is stored in an on-chip RAM to the corresponding DTC registers and transfers data. After the data transfer, it writes a set of updated register information back to the RAM.

- DTC enable registers A to H (DTCERA to DTCERH)
- DTC vector register (DTVECR)

### 9.2.1 DTC Mode Register A (MRA)

MRA selects the DTC operating mode.

| Bit | Bit Name | Initial Value | R/W | Description  |
|-----|----------|---------------|-----|--|
| 7   | SM1      | Undefined     | —   | Source Address Mode 1 and 0  |
| 6   | SM0      | Undefined     | —   | These bits specify an SAR operation after a data transfer.<br>0x: SAR is fixed<br>10: SAR is incremented after a transfer<br>(by +1 when Sz = 0; by +2 when Sz = 1)<br>11: SAR is decremented after a transfer<br>(by -1 when Sz = 0; by -2 when Sz = 1) |

| Bit | Bit Name | Initial Value | R/W | Description   |
|-----|----------|---------------|-----|---|
| 5   | DM1      | Undefined     | —   | Destination Address Mode 1 and 0  |
| 4   | DM0      | Undefined     | —   | These bits specify a DAR operation after a data transfer.<br>0x: DAR is fixed<br>10: DAR is incremented after a transfer<br>(by +1 when Sz = 0; by +2 when Sz = 1)<br>11: DAR is decremented after a transfer<br>(by -1 when Sz = 0; by -2 when Sz = 1)                   |
| 3   | MD1      | Undefined     | —   | DTC Mode  |
| 2   | MD0      | Undefined     | —   | These bits specify the DTC transfer mode.<br>00: Normal mode<br>01: Repeat mode<br>10: Block transfer mode<br>11: Setting prohibited  |
| 1   | DTS      | Undefined     | —   | DTC Transfer Mode Select<br>Specifies whether the source side or the destination side is set to be a repeat area or block area, in repeat mode or block transfer mode.<br>0: Destination side is repeat area or block area<br>1: Source side is repeat area or block area |
| 0   | Sz       | Undefined     | —   | DTC Data Transfer Size<br>Specifies the size of data to be transferred.<br>0: Byte-size transfer<br>1: Word-size transfer   |

Legend:

× : Don't care

### 9.2.2 DTC Mode Register B (MRB)

MRB selects the DTC operating mode.

| Bit          | Bit Name | Initial Value | R/W | Description   |
|--------------|----------|---------------|-----|---|
| 7            | CHNE     | Undefined     | —   | DTC Chain Transfer Enable<br><br>When this bit is set to 1, a chain transfer will be performed. For details, refer to section 9.5.4, Chain Transfer.<br><br>In data transfer with CHNE set to 1, determination of the end of the specified number of transfers, clearing of the activation source flag, and clearing of DTCER is not performed. |
| 6            | DISEL    | Undefined     | —   | DTC Interrupt Select<br><br>When this bit is set to 1, a CPU interrupt request is generated every time after a data transfer ends. When this bit is set to 0, a CPU interrupt request is generated at the time when the specified number of data transfer ends.   |
| 5            | CHNS     | Undefined     | —   | DTC Chain Transfer Select<br><br>Specifies the chain transfer condition.<br><br>0: Chain transfer every time<br>1: Chain transfer only when transfer counter = 0  |
| 4<br>to<br>0 | —        | Undefined     | —   | Reserved<br><br>These bits have no effect on DTC operation, and should always be written with 0.  |

### 9.2.3 DTC Source Address Register (SAR)

SAR is a 24-bit register that designates the source address of data to be transferred by the DTC. For word-size transfer, specify an even source address.

### 9.2.4 DTC Destination Address Register (DAR)

DAR is a 24-bit register that designates the destination address of data to be transferred by the DTC. For word-size transfer, specify an even destination address.

### 9.2.5 DTC Transfer Count Register A (CRA)

CRA is a 16-bit register that designates the number of times data is to be transferred by the DTC.

In normal mode, the entire CRA functions as a 16-bit transfer counter (1 to 65,536). It is decremented by 1 every time data is transferred, and transfer ends when the count reaches H'0000.

In repeat mode or block transfer mode, the CRA is divided into two parts: the upper 8 bits (CRAH) and the lower 8 bits (CRAL). CRAH holds the number of transfers while CRAL functions as an 8-bit transfer counter (1 to 256). CRAL is decremented by 1 every time data is transferred, and the contents of CRAH are sent when the count reaches H'00.

### 9.2.6 DTC Transfer Count Register B (CRB)

CRB is a 16-bit register that designates the number of times data is to be transferred by the DTC in block transfer mode. It functions as a 16-bit transfer counter (1 to 65,536) that is decremented by 1 every time data is transferred, and transfer ends when the count reaches H'0000. The CRB is not available in normal and repeat modes.

### 9.2.7 DTC Enable Registers A to H (DTCERA to DTCERH)

DTCER which is comprised of seven registers, DTCERA to DTCERH, is a register that specifies DTC activation interrupt sources. The correspondence between interrupt sources and DTCE bits is shown in table 9.2. For DTCE bit setting, use bit manipulation instructions such as BSET and BCLR for reading and writing. If all interrupts are masked, multiple activation sources can be set at one time (only at the initial setting) by writing data after executing a dummy read on the relevant register.

| Bit | Bit Name | Initial Value | R/W | Description   |
|-----|----------|---------------|-----|---|
| 7   | DTCE7    | 0             | R/W | DTC Activation Enable   |
| 6   | DTCE6    | 0             | R/W | Setting this bit to 1 specifies a relevant interrupt source to a DTC activation source.                               |
| 5   | DTCE5    | 0             | R/W |   |
| 4   | DTCE4    | 0             | R/W | [Clearing conditions]   |
| 3   | DTCE3    | 0             | R/W |   |
| 2   | DTCE2    | 0             | R/W |   |
| 1   | DTCE1    | 0             | R/W | • When the DISEL bit is 1 and the data transfer has ended   |
| 0   | DTCE0    | 0             | R/W | • When the specified number of transfers have ended   |
|     |          |               |     | These bits are not automatically cleared when the DISEL bit is 0 and the specified number of transfers have not ended |
|     |          |               |     | • When 0 is written to DTCE after reading DTCE = 1  |

### 9.2.8 DTC Vector Register (DTVECR)

DTVECR enables or disables DTC activation by software, and sets a vector number for the software activation interrupt.

| Bit | Bit Name | Initial Value | R/W | Description  |
|-----|----------|---------------|-----|--|
| 7   | SWDTE    | 0             | R/W | <p>DTC Software Activation Enable</p> <p>Setting this bit to 1 activates DTC. Only 1 can be written to this bit.</p> <p>[Clearing conditions]</p> <ul style="list-style-type: none"> <li>• When the DISEL bit is 0 and the specified number of transfers have not ended</li> <li>• When 0 is written to the DISEL bit after a software-activated data transfer end interrupt (SWDTEND) request has been sent to the CPU.</li> </ul> <p>When the DISEL bit is 1 and data transfer has ended or when the specified number of transfers have ended, this bit will not be cleared.</p> |
| 6   | DTVEC6   | 0             | R/W | DTC Software Activation Vectors 6 to 0   |
| 5   | DTVEC5   | 0             | R/W | <p>These bits specify a vector number for DTC software activation.</p> <p>The vector address is expressed as H'0400 + (vector number × 2). For example, when DTVEC6 to DTVEC0 = H'10, the vector address is H'0420. When the bit SWDTE is 0, these bits can be written.</p>  |
| 4   | DTVEC4   | 0             | R/W |  |
| 3   | DTVEC3   | 0             | R/W |  |
| 2   | DTVEC2   | 0             | R/W |  |
| 1   | DTVEC1   | 0             | R/W |  |
| 0   | DTVEC0   | 0             | R/W |  |

### 9.3 Activation Sources

The DTC operates when activated by an interrupt or by a write to DTVECR by software. An interrupt request can be directed to the CPU or DTC, as designated by the corresponding DTCER bit. At the end of a data transfer (or the last consecutive transfer in the case of chain transfer), the activation source or corresponding DTCER bit is cleared. The activation source flag, in the case of RX10, for example, is the RDRF flag of SCI\_0.

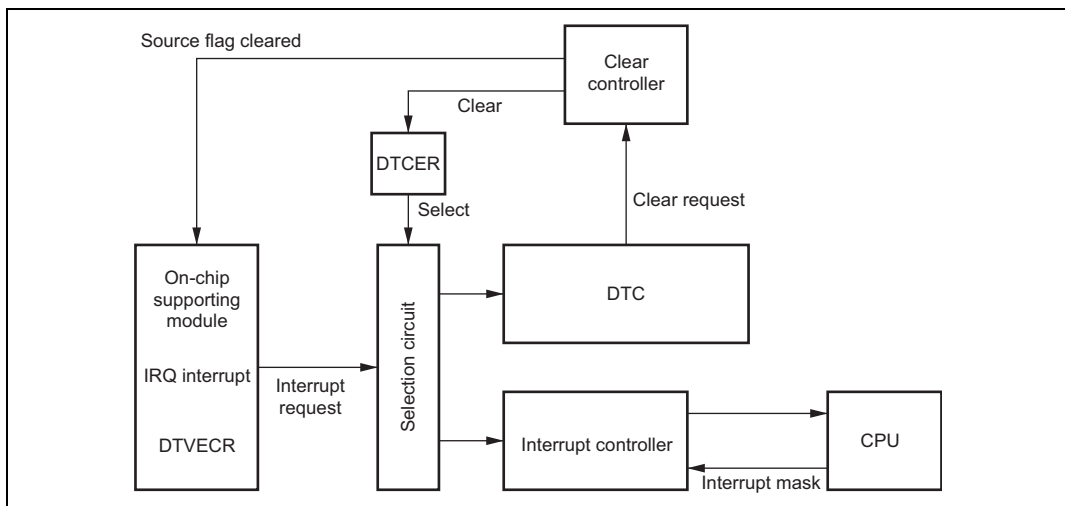
When an interrupt has been designated a DTC activation source, existing CPU mask level and interrupt controller priorities have no effect. If there is more than one activation source at the same time, the DTC operates in accordance with the default priorities.

Table 9.1 shows a relationship between activation sources and DTCER clear conditions. Figure 9.2 shows a block diagram of activation source control. For details see section 5, Interrupt Controller.

**Table 9.1 Relationship between Activation Sources and DTCER Clearing**

| <b>Activation Source</b>   | <b>DISEL = 0 and Specified Number of Transfers Has Not Ended</b>   | <b>DISEL = 1 or Specified Number of Transfers Has Ended</b>  |
|----------------------------|--|--|
| Activation by software     | SWDTE bit is cleared to 0  | <ul style="list-style-type: none"> <li>• SWDTE bit remains set to 1</li> <li>• Interrupt request to CPU</li> </ul>   |
| Activation by an interrupt | <ul style="list-style-type: none"> <li>• Corresponding DTCER bit remains set to 1.</li> <li>• Activation source flag is cleared to 0.</li> </ul> | <ul style="list-style-type: none"> <li>• Corresponding DTCER bit is cleared to 0.</li> <li>• Activation source flag remains set to 1.</li> <li>• Interrupt that became the activation source is requested to the CPU.</li> </ul> |





**Figure 9.2 Block Diagram of DTC Activation Source Control**

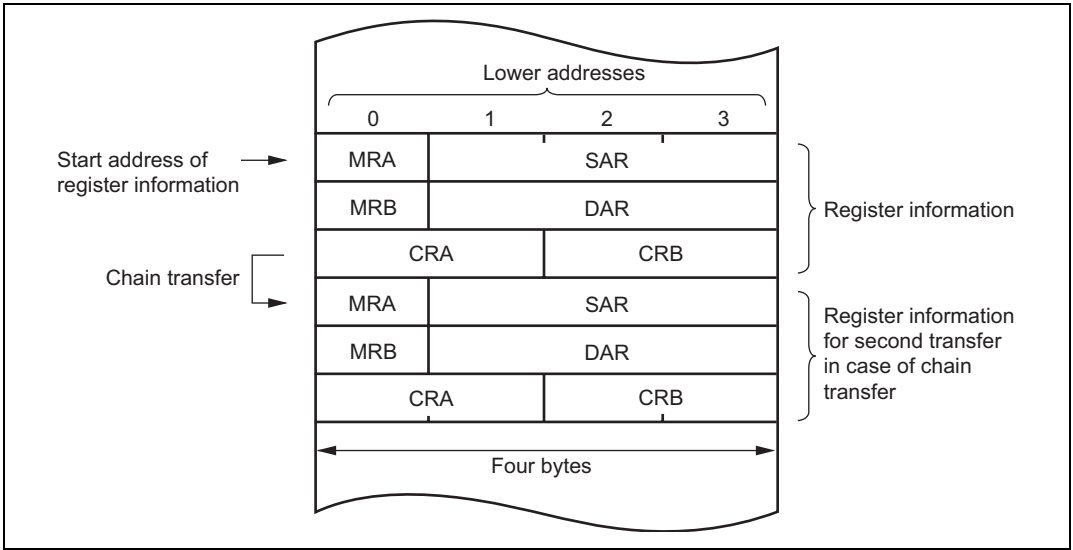
## 9.4 Location of Register Information and DTC Vector Table

Locate the register information in the on-chip RAM (addresses: H'FFBC00 to H'FFBFFF). Register information should be located at the address that is multiple of four within the range. Locating the register information in address space is shown in figure 9.3. Locate the MRA, SAR, MRB, DAR, CRA, and CRB registers, in that order, from the start address of the register information. In the case of chain transfer, register information should be located in consecutive areas as shown in figure 9.3 and the register information start address should be located at the corresponding vector address to the activation source. Figure 9.4 shows correspondences between the DTC vector address and register information. The DTC reads the start address of the register information from the vector address set for each activation source, and then reads the register information from that start address.

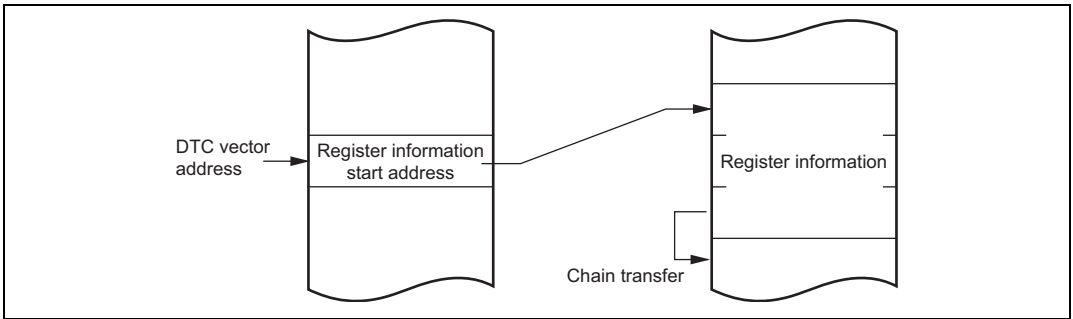
When the DTC is activated by software, the vector address is obtained from:  $H'0400 + (DTVECR[6:0] \times 2)$ . For example, if DTVECR is H'10, the vector address is H'0420.

The configuration of the vector address is the same in both normal\* and advanced modes, a 2-byte unit being used in both cases. These two bytes specify the lower bits of the register information start address.

Note: \* Not available in this LSI.



**Figure 9.3 Correspondence between DTC Vector Address and Register Information**



**Figure 9.4 Correspondence between DTC Vector Address and Register Information**

**Table 9.2 Interrupt Sources, DTC Vector Addresses, and Corresponding DTCEs**

| Origin of Activation Source | Activation Source | Vector Number | DTC Vector Address          | DTCE*  | Priority |
|-----------------------------|-------------------|---------------|-----------------------------|--------|----------|
| Software                    | Write to DTVECR   | DTVECR        | H'0400 + (DTVECR [6:0] × 2) | —      | High     |
| External pin                | IRQ0              | 16            | H'0420                      | DTCEA7 | ↑        |
|                             | IRQ1              | 17            | H'0422                      | DTCEA6 |          |
|                             | IRQ2              | 18            | H'0424                      | DTCEA5 |          |
|                             | IRQ3              | 19            | H'0426                      | DTCEA4 |          |
|                             | IRQ4              | 20            | H'0428                      | DTCEA3 |          |
|                             | IRQ5              | 21            | H'042A                      | DTCEA2 |          |
|                             | IRQ6              | 22            | H'042C                      | DTCEA1 |          |
|                             | IRQ7              | 23            | H'042E                      | DTCEA0 |          |
|                             | IRQ8              | 24            | H'0430                      | DTCEB7 |          |
|                             | IRQ9              | 25            | H'0432                      | DTCEB6 |          |
|                             | IRQ10             | 26            | H'0434                      | DTCEB5 |          |
|                             | IRQ11             | 17            | H'0436                      | DTCEB4 |          |
|                             | IRQ12             | 18            | H'0438                      | DTCEB3 |          |
|                             | IRQ13             | 19            | H'043A                      | DTCEB2 |          |
|                             | IRQ14             | 30            | H'043C                      | DTCEB1 |          |
| IRQ15                       | 31                | H'043E        | DTCEB0                      |        |          |
| A/D                         | ADI               | 38            | H'044C                      | DTCEC6 |          |
| TPU_0                       | TGI0A             | 40            | H'0450                      | DTCEC5 |          |
|                             | TGI0B             | 41            | H'0452                      | DTCEC4 |          |
|                             | TGI0C             | 42            | H'0454                      | DTCEC3 |          |
|                             | TGI0D             | 43            | H'0456                      | DTCEC2 |          |
| TPU_1                       | TGI1A             | 48            | H'0460                      | DTCEC1 |          |
|                             | TGI1B             | 49            | H'0462                      | DTCEC0 |          |
| TPU_2                       | TGI2A             | 52            | H'0468                      | DTCED7 |          |
|                             | TGI2B             | 53            | H'046A                      | DTCED6 | Low      |

| Origin of Activation Source | Activation Source | Vector Number | DTC Vector Address | DTCE*  | Priority         |
|-----------------------------|-------------------|---------------|--------------------|--------|------------------|
| TPU_3                       | TGI3A             | 56            | H'0470             | DTCED5 | High<br>↑<br>Low |
|                             | TGI3B             | 57            | H'0472             | DTCED4 |                  |
|                             | TGI3C             | 58            | H'0474             | DTCED3 |                  |
|                             | TGI3D             | 59            | H'0476             | DTCED2 |                  |
| TPU_4                       | TGI4A             | 64            | H'0480             | DTCED1 |                  |
|                             | TGI4B             | 65            | H'0482             | DTCED0 |                  |
| TPU_5                       | TGI5A             | 68            | H'0488             | DTCEE7 |                  |
|                             | TGI5B             | 69            | H'048A             | DTCEE6 |                  |
| TMR_0                       | CMIA0             | 72            | H'0490             | DTCEE3 |                  |
|                             | CMIB0             | 73            | H'0492             | DTCEE2 |                  |
| TMR_1                       | CMIA1             | 76            | H'0498             | DTCEE1 |                  |
|                             | CMIB1             | 77            | H'049A             | DTCEE0 |                  |
| DMAC                        | DMTEND0A          | 80            | H'04A0             | DTCEF7 |                  |
|                             | DMTEND0B          | 81            | H'04A2             | DTCEF6 |                  |
|                             | DMTEND1A          | 82            | H'04A4             | DTCEF5 |                  |
|                             | DMTEND1B          | 83            | H'04A6             | DTCEF4 |                  |
| SCI_0                       | RXI0              | 89            | H'04B2             | DTCEF3 |                  |
|                             | TXI0              | 90            | H'04B4             | DTCEF2 |                  |
| SCI_1                       | RXI1              | 93            | H'04BA             | DTCEF1 |                  |
|                             | TXI1              | 94            | H'04BC             | DTCEF0 |                  |
| SCI_2                       | RXI2              | 97            | H'04C2             | DTCEG7 |                  |
|                             | TXI2              | 98            | H'04C4             | DTCEG6 |                  |
| SCI_3                       | RXI3              | 101           | H'04CA             | DTCEF5 |                  |
|                             | TXI3              | 102           | H'04CC             | DTCEF4 |                  |
| SCI_4                       | RXI4              | 105           | H'04D2             | DTCEG3 |                  |
|                             | TXI4              | 106           | H'04D4             | DTCEG2 |                  |

Note: \* DTCE bits with no corresponding interrupt are reserved, and 0 should be written to. When clearing the software standby state or all-module-clocks-stop mode with an interrupt, write 0 to the corresponding DTCE bit.

## 9.5 Operation

The DTC stores register information in the on-chip RAM. When activated, the DTC reads register information that is already stored in the on-chip RAM and transfers data on the basis of that register information. After the data transfer, it writes updated register information back to the on-chip RAM. Pre-storage of register information in the on-chip RAM makes it possible to transfer data over any required number of channels. There are three transfer modes: normal mode, repeat mode, and block transfer mode. Setting the CHNE bit to 1 makes it possible to perform a number of transfers with a single activation (chain transfer). A setting can also be made to have chain transfer performed only when the transfer counter value is 0. This enables DTC re-setting to be performed by the DTC itself.

The 24-bit SAR designates the DTC transfer source address and the 24-bit DAR designates the transfer destination address. After each transfer, SAR and DAR are independently incremented, decremented, or left fixed.

Figure 9.5 shows a flowchart of DTC operation, and table 9.3 summarizes the chain transfer conditions (combinations for performing the second and third transfers are omitted).

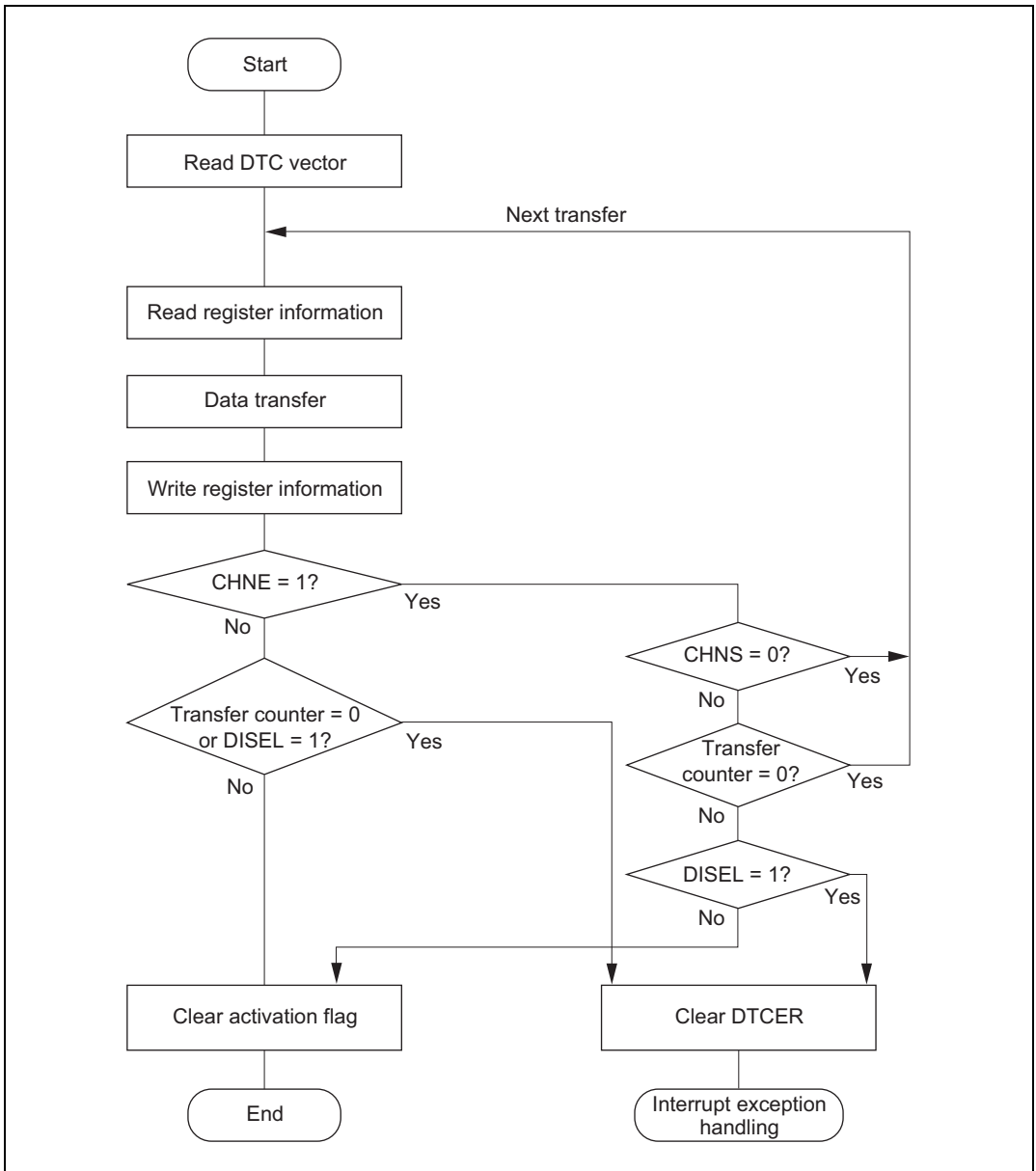


Figure 9.5 Flowchart of DTC Operation

Table 9.3 Chain Transfer Conditions

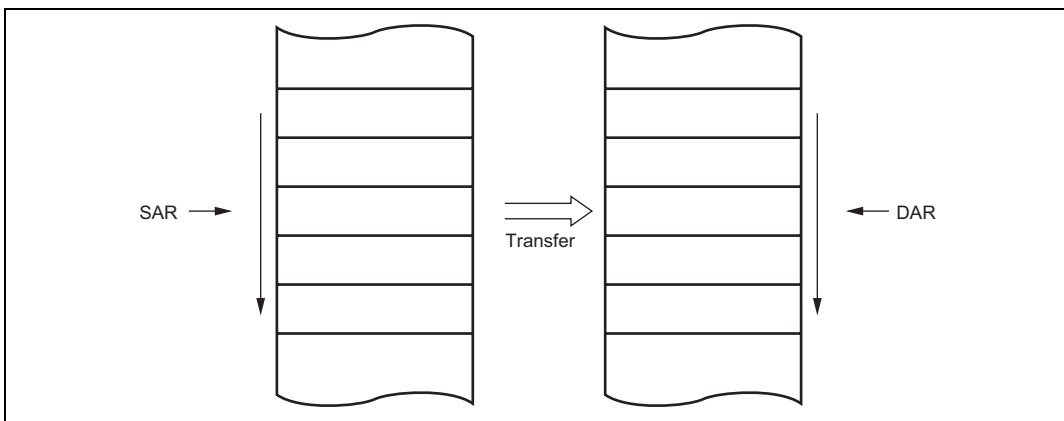
| 1st Transfer |      |       |       | 2nd Transfer |      |       |       | DTC Transfer             |
|--------------|------|-------|-------|--------------|------|-------|-------|--------------------------|
| CHNE         | CHNS | DISEL | CR    | CHNE         | CHNS | DISEL | CR    |                          |
| 0            | —    | 0     | Not 0 | —            | —    | —     | —     | Ends at 1st transfer     |
| 0            | —    | 0     | 0     | —            | —    | —     | —     | Ends at 1st transfer     |
| 0            | —    | 1     | —     | —            | —    | —     | —     | Interrupt request to CPU |
| 1            | 0    | —     | —     | 0            | —    | 0     | Not 0 | Ends at 2nd transfer     |
|              |      |       |       | 0            | —    | 0     | 0     | Ends at 2nd transfer     |
|              |      |       |       | 0            | —    | 1     | —     | Interrupt request to CPU |
| 1            | 1    | 0     | Not 0 | —            | —    | —     | —     | Ends at 1st transfer     |
| 1            | 1    | —     | 0     | 0            | —    | 0     | Not 0 | Ends at 2nd transfer     |
|              |      |       |       | 0            | —    | 0     | 0     | Ends at 2nd transfer     |
|              |      |       |       | 0            | —    | 1     | —     | Interrupt request to CPU |
| 1            | 1    | 1     | Not 0 | —            | —    | —     | —     | Ends at 1st transfer     |
|              |      |       |       | —            | —    | —     | —     | Interrupt request to CPU |

### 9.5.1 Normal Mode

In normal mode, one operation transfers one byte or one word of data. Table 9.4 lists the register function in normal mode. From 1 to 65,536 transfers can be specified. Once the specified number of transfers has ended, a CPU interrupt can be requested.

**Table 9.4 Register Function in Normal Mode**

| Name                             | Abbreviation | Function                       |
|----------------------------------|--------------|--------------------------------|
| DTC source address register      | SAR          | Designates source address      |
| DTC destination address register | DAR          | Designates destination address |
| DTC transfer count register A    | CRA          | Designates transfer count      |
| DTC transfer count register B    | CRB          | Not used                       |



**Figure 9.6 Memory Mapping in Normal Mode**

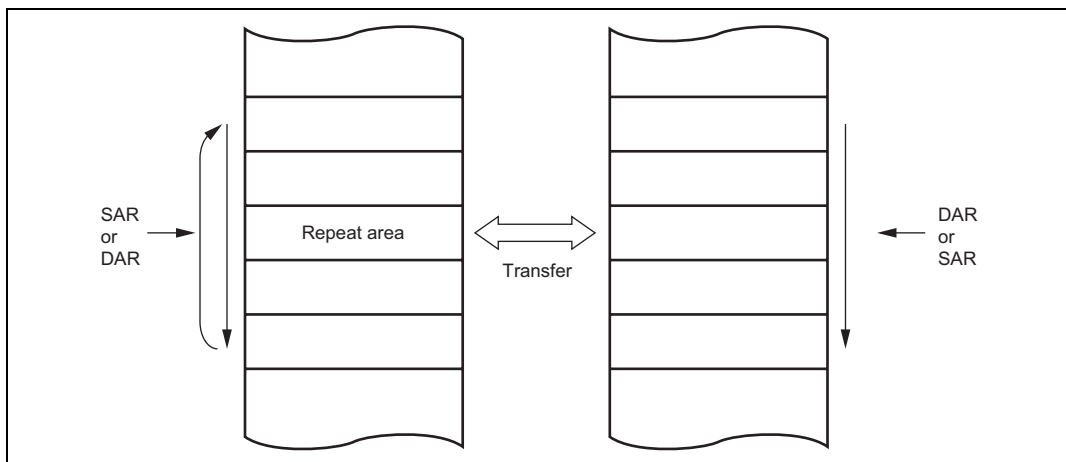


## 9.5.2 Repeat Mode

In repeat mode, one operation transfers one byte or one word of data. Table 9.5 lists the register function in repeat mode. From 1 to 256 transfers can be specified. Once the specified number of transfers has ended, the initial state of the transfer counter and the address register specified as the repeat area is restored, and transfer is repeated. In repeat mode the transfer counter value does not reach H'00, and therefore CPU interrupts cannot be requested when DISEL = 0.

**Table 9.5 Register Function in Repeat Mode**

| Name                             | Abbreviation | Function                       |
|----------------------------------|--------------|--------------------------------|
| DTC source address register      | SAR          | Designates source address      |
| DTC destination address register | DAR          | Designates destination address |
| DTC transfer count register AH   | CRAH         | Holds number of transfers      |
| DTC transfer count register AL   | CRAL         | Designates transfer count      |
| DTC transfer count register B    | CRB          | Not used                       |



**Figure 9.7 Memory Mapping in Repeat Mode**

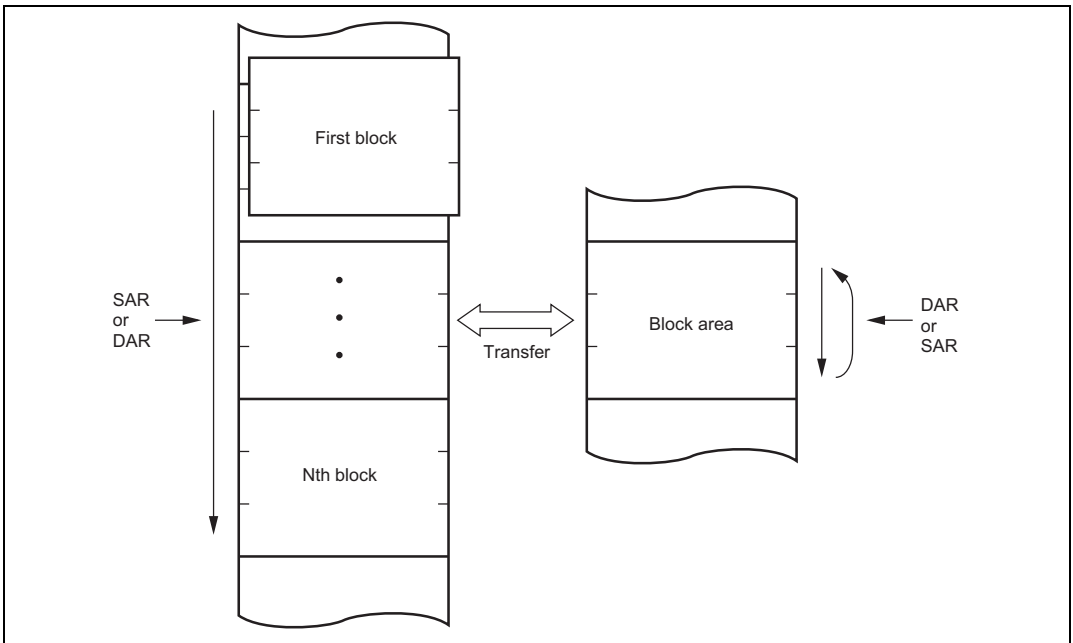
### 9.5.3 Block Transfer Mode

In block transfer mode, one operation transfers one block of data. Either the transfer source or the transfer destination is designated as a block area. Table 9.6 lists the register function in block transfer mode.

The block size is 1 to 256. When the transfer of one block ends, the initial state of the block size counter and the address register specified as the block area is restored. The other address register is then incremented, decremented, or left fixed. From 1 to 65,536 transfers can be specified. Once the specified number of transfers has ended, a CPU interrupt is requested.

**Table 9.6 Register Function in Block Transfer Mode**

| Name                             | Abbreviation | Function                       |
|----------------------------------|--------------|--------------------------------|
| DTC source address register      | SAR          | Designates source address      |
| DTC destination address register | DAR          | Designates destination address |
| DTC transfer count register AH   | CRAH         | Holds block size               |
| DTC transfer count register AL   | CRAL         | Designates block size count    |
| DTC transfer count register B    | CRB          | Designates transfer count      |



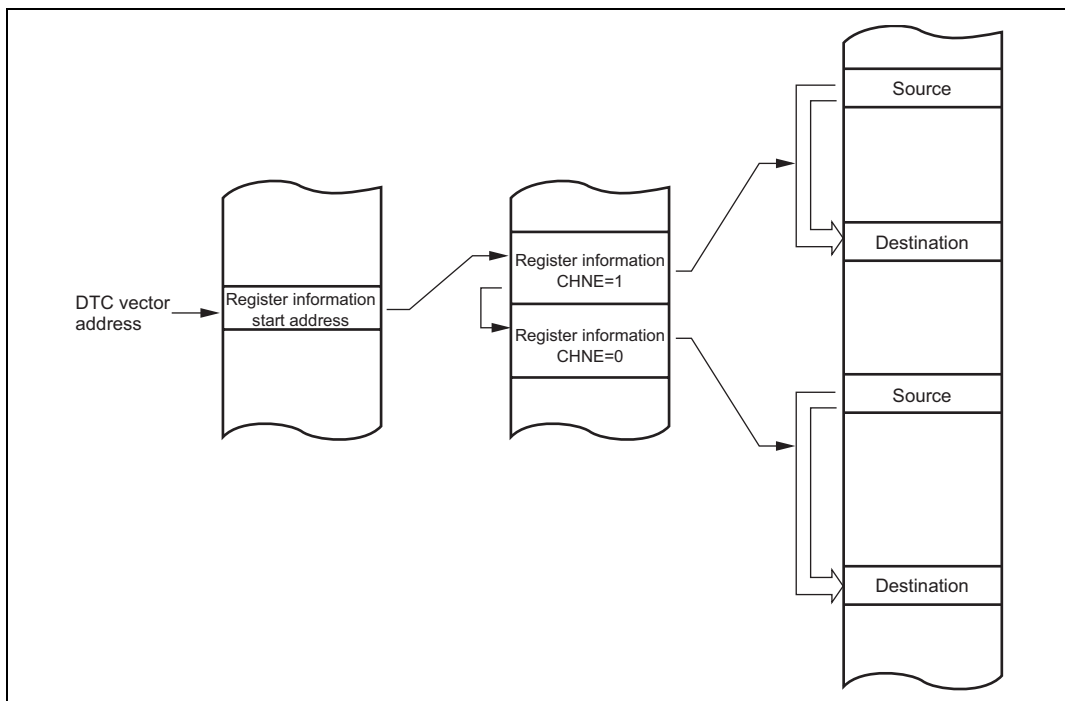
**Figure 9.8 Memory Mapping in Block Transfer Mode**

### 9.5.4 Chain Transfer

Setting the CHNE bit to 1 enables a number of data transfers to be performed consecutively in response to a single transfer request. SAR, DAR, CRA, CRB, MRA, and MRB, which define data transfers, can be set independently.

Figure 9.9 shows the operation of chain transfer. When activated, the DTC reads the register information start address stored at the vector address, and then reads the first register information at that start address. The CHNE bit in MRB is checked after the end of data transfer, if the value is 1, the next register information, which is located consecutively, is read and transfer is performed. This operation is repeated until the end of data transfer of register information with CHNE = 0. It is also possible, by setting both the CHNE bit and CHNS bit to 1, to specify execution of chain transfer only when the transfer counter value is 0.

In the case of transfer with CHNE set to 1, an interrupt request to the CPU is not generated at the end of the specified number of transfers or by setting of the DISEL bit to 1, and the interrupt source flag for the activation source is not affected.



**Figure 9.9 Operation of Chain Transfer**

### 9.5.5 Interrupt Sources

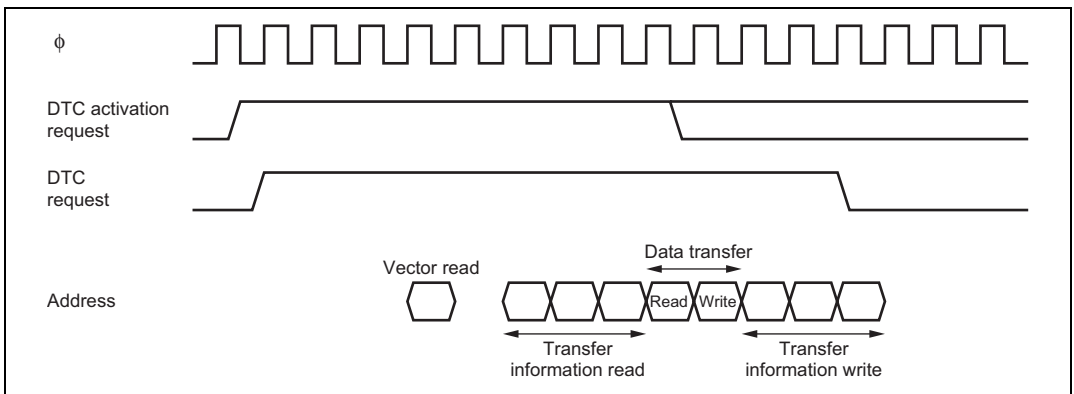
An interrupt request is issued to the CPU when the DTC finishes the specified number of data transfers, or a data transfer for which the DISEL bit was set to 1. In the case of interrupt activation, the interrupt set as the activation source is generated. These interrupts to the CPU are subject to CPU mask level and interrupt controller priority level control.

In the case of activation by software, a software activated data transfer end interrupt (SWDTEND) is generated.

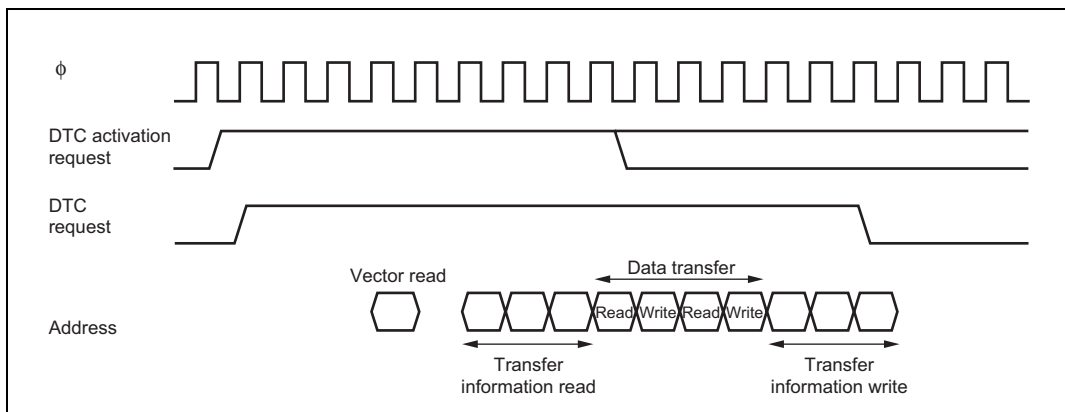
When the DISEL bit is 1 and one data transfer has ended, or the specified number of transfers has ended, after data transfer ends, the SWDTE bit is held at 1 and an SWDTEND interrupt is generated. The interrupt handling routine should clear the SWDTE bit to 0.

When the DTC is activated by software, an SWDTEND interrupt is not generated during a data transfer wait or during data transfer even if the SWDTE bit is set to 1.

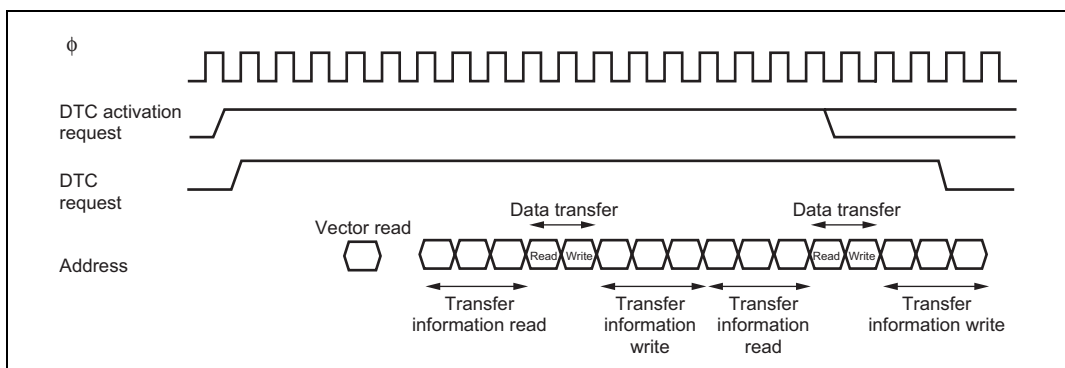
### 9.5.6 Operation Timing



**Figure 9.10 DTC Operation Timing (Example in Normal Mode or Repeat Mode)**



**Figure 9.11 DTC Operation Timing (Example of Block Transfer Mode, with Block Size of 2)**



**Figure 9.12 DTC Operation Timing (Example of Chain Transfer)**

### 9.5.7 Number of DTC Execution States

Table 9.7 lists execution status for a single DTC data transfer, and table 9.8 shows the number of states required for each execution status.

**Table 9.7 DTC Execution Status**

| Mode           | Vector Read | Register Information |   | Data Read | Data Write | Internal Operations |
|----------------|-------------|----------------------|---|-----------|------------|---------------------|
|                | I           | Read/Write           | J | K         | L          | M                   |
| Normal         | 1           | 6                    |   | 1         | 1          | 3                   |
| Repeat         | 1           | 6                    |   | 1         | 1          | 3                   |
| Block transfer | 1           | 6                    |   | N         | N          | 3                   |

Legend:

N: Block size (initial setting of CRAH and CRAL)

**Table 9.8 Number of States Required for Each Execution Status**

| Object to be Accessed |                                 |                | On-Chip RAM | On-Chip ROM | On-Chip I/O Registers |    | External Devices |      |    |     |
|-----------------------|---------------------------------|----------------|-------------|-------------|-----------------------|----|------------------|------|----|-----|
|                       |                                 |                |             |             |                       |    |                  |      |    |     |
| Bus width             |                                 |                | 32          | 16          | 8                     | 16 | 8                |      | 16 |     |
| Access states         |                                 |                | 1           | 1           | 2                     | 2  | 2                | 3    | 2  | 3   |
| Execution status      | Vector read                     | S <sub>I</sub> | —           | 1           | —                     | —  | 4                | 6+2m | 2  | 3+m |
|                       | Register information read/write | S <sub>J</sub> | 1           | —           | —                     | —  | —                | —    | —  | —   |
|                       | Byte data read                  | S <sub>K</sub> | 1           | 1           | 2                     | 2  | 2                | 3+m  | 2  | 3+m |
|                       | Word data read                  | S <sub>K</sub> | 1           | 1           | 4                     | 2  | 4                | 6+2m | 2  | 3+m |
|                       | Byte data write                 | S <sub>L</sub> | 1           | 1           | 2                     | 2  | 2                | 3+m  | 2  | 3+m |
|                       | Word data write                 | S <sub>L</sub> | 1           | 1           | 4                     | 2  | 4                | 6+2m | 2  | 3+m |
|                       | Internal operation              | S <sub>M</sub> | 1           |             |                       |    |                  |      |    |     |

The number of execution states is calculated from the formula below. Note that  $\Sigma$  means the sum of all transfers activated by one activation event (the number in which the CHNE bit is set to 1, plus 1).

$$\text{Number of execution states} = I \cdot S_I + \Sigma (J \cdot S_J + K \cdot S_K + L \cdot S_L) + M \cdot S_M$$

For example, when the DTC vector address table is located in on-chip ROM, normal mode is set, and data is transferred from the on-chip ROM to an internal I/O register, the time required for the DTC operation is 13 states. The time from activation to the end of the data write is 10 states.

## 9.6 Procedures for Using DTC

### 9.6.1 Activation by Interrupt

The procedure for using the DTC with interrupt activation is as follows:

1. Set the MRA, MRB, SAR, DAR, CRA, and CRB register information in the on-chip RAM.
2. Set the start address of the register information in the DTC vector address.
3. Set the corresponding bit in DTCER to 1.
4. Set the enable bits for the interrupt sources to be used as the activation sources to 1. The DTC is activated when an interrupt used as an activation source is generated.
5. After the end of one data transfer, or after the specified number of data transfers have ended, the DTCE bit is cleared to 0 and a CPU interrupt is requested. If the DTC is to continue transferring data, set the DTCE bit to 1.

### 9.6.2 Activation by Software

The procedure for using the DTC with software activation is as follows:

1. Set the MRA, MRB, SAR, DAR, CRA, and CRB register information in the on-chip RAM.
2. Set the start address of the register information in the DTC vector address.
3. Check that the SWDTE bit is 0.
4. Write 1 to SWDTE bit and the vector number to DTVECR.
5. Check the vector number written to DTVECR.
6. After the end of one data transfer, if the DISEL bit is 0 and a CPU interrupt is not requested, the SWDTE bit is cleared to 0. If the DTC is to continue transferring data, set the SWDTE bit to 1. When the DISEL bit is 1, or after the specified number of data transfers have ended, the SWDTE bit is held at 1 and a CPU interrupt is requested.

## 9.7 Examples of Use of the DTC

### 9.7.1 Normal Mode

An example is shown in which the DTC is used to receive 128 bytes of data via the SCI.

1. Set MRA to fixed source address (SM1 = SM0 = 0), incrementing destination address (DM1 = 1, DM0 = 0), normal mode (MD1 = MD0 = 0), and byte size (Sz = 0). The DTS bit can have any value. Set MRB for one data transfer by one interrupt (CHNE = 0, DIESEL = 0). Set the SCI RDR address in SAR, the start address of the RAM area where the data will be received in DAR, and 128 (H'0080) in CRA. CRB can be set to any value.
2. Set the start address of the register information at the DTC vector address.
3. Set the corresponding bit in DTCER to 1.
4. Set the SCI to the appropriate receive mode. Set the RIE bit in SCR to 1 to enable the reception complete (RXI) interrupt. Since the generation of a receive error during the SCI reception operation will disable subsequent reception, the CPU should be enabled to accept receive error interrupts.
5. Each time reception of one byte of data ends on the SCI, the RDRF flag in SSR is set to 1, an RXI interrupt is generated, and the DTC is activated. The receive data is transferred from RDR to RAM by the DTC. DAR is incremented and CRA is decremented. The RDRF flag is automatically cleared to 0.
6. When CRA becomes 0 after the 128 data transfers have ended, the RDRF flag is held at 1, the DTCE bit is cleared to 0, and an RXI interrupt request is sent to the CPU. The interrupt handling routine should perform wrap-up processing.



### 9.7.2 Chain Transfer

An example of DTC chain transfer is shown in which pulse output is performed using the PPG. Chain transfer can be used to perform pulse output data transfer and PPG output trigger cycle updating. Repeat mode transfer to NDR of the PPG is performed in the first half of the chain transfer, and normal mode transfer to the TPU's TGR in the second half. This is because clearing of the activation source and interrupt generation at the end of the specified number of transfers are restricted to the second half of the chain transfer (transfer when CHNE = 0).

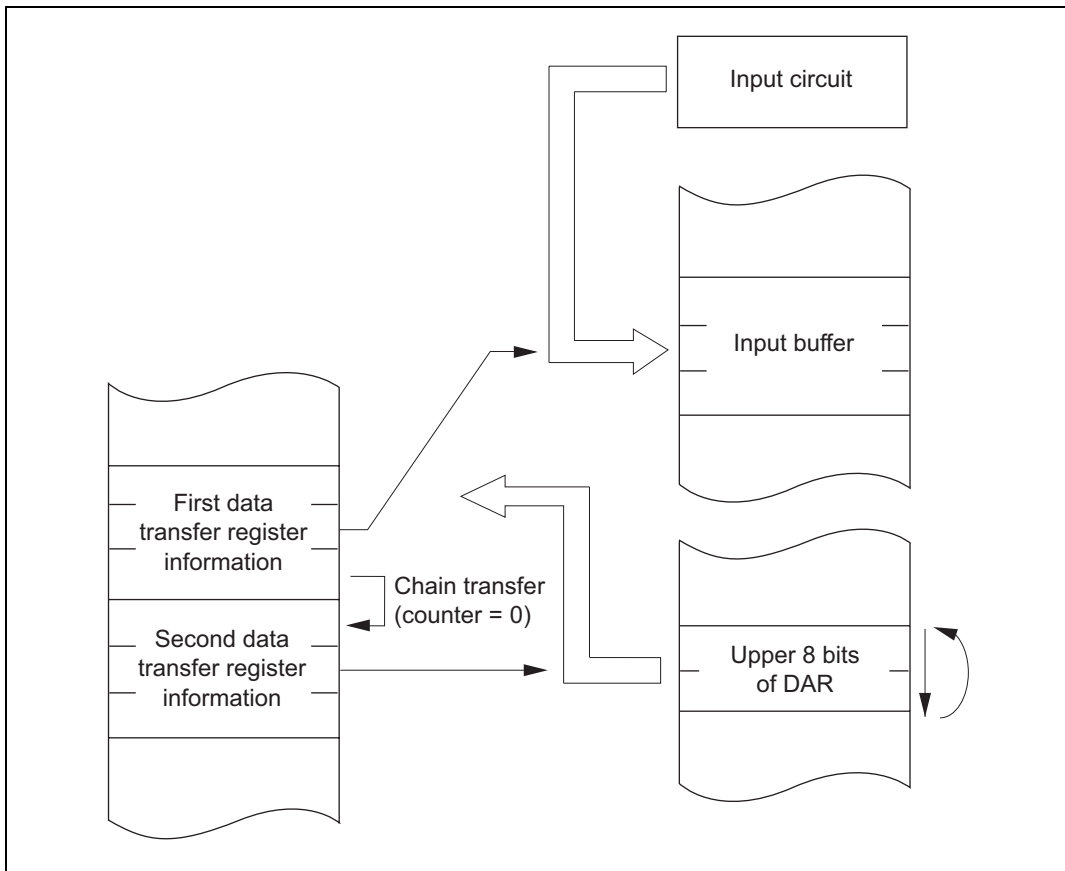
1. Perform settings for transfer to NDR of the PPG. Set MRA to source address incrementing (SM1 = 1, SM0 = 0), fixed destination address (DM1 = DM0 = 0), repeat mode (MD1 = 0, MD0 = 1), and word size (Sz = 1). Set the source side as a repeat area (DTS = 1). Set MRB to chain mode (CHNE = 1, DISEL = 0). Set the data table start address in SAR, the NDRH address in DAR, and the data table size in CRAH and CRAL. CRB can be set to any value.
2. Perform settings for transfer to the TPU's TGR. Set MRA to source address incrementing (SM1 = 1, SM0 = 0), fixed destination address (DM1 = DM0 = 0), normal mode (MD1 = MD0 = 0), and word size (Sz = 1). Set the data table start address in SAR, the TGRA address in DAR, and the data table size in CRA. CRB can be set to any value.
3. Locate the TPU transfer register information consecutively after the NDR transfer register information.
4. Set the start address of the NDR transfer register information to the DTC vector address.
5. Set the bit corresponding to TGIA in DTCER to 1.
6. Set TGRA as an output compare register (output disabled) with TIOR, and enable the TGIA interrupt with TIER.
7. Set the initial output value in PODR, and the next output value in NDR. Set bits in DDR and NDER for which output is to be performed to 1. Using PCR, select the TPU compare match to be used as the output trigger.
8. Set the CST bit in TSTR to 1, and start the TCNT count operation.
9. Each time a TGRA compare match occurs, the next output value is transferred to NDR and the set value of the next output trigger period is transferred to TGRA. The activation source TGFA flag is cleared.
10. When the specified number of transfers are completed (the TPU transfer CRA value is 0), the TGFA flag is held at 1, the DTCE bit is cleared to 0, and a TGIA interrupt request is sent to the CPU. Termination processing should be performed in the interrupt handling routine.

### 9.7.3 Chain Transfer when Counter = 0

By executing a second data transfer, and performing re-setting of the first data transfer, only when the counter value is 0, it is possible to perform 256 or more repeat transfers.

An example is shown in which a 128-kbyte input buffer is configured. The input buffer is assumed to have been set to start at lower address H'0000. Figure 9.13 shows the chain transfer when the counter value is 0.

1. For the first transfer, set the normal mode for input data. Set fixed transfer source address (G/A, etc.), CRA = H'0000 (65,536 times), and CHNE = 1, CHNS = 1, and DISEL = 0.
2. Prepare the upper 8-bit addresses of the start addresses for each of the 65,536 transfer start addresses for the first data transfer in a separate area (in ROM, etc.). For example, if the input buffer comprises H'200000 to H'21FFFF, prepare H'21 and H'20.
3. For the second transfer, set repeat mode (with the source side as the repeat area) for re-setting the transfer destination address for the first data transfer. Use the upper 8 bits of DAR in the first register information area as the transfer destination. Set CHNE = DISEL = 0. If the above input buffer is specified as H'200000 to H'21FFFF, set the transfer counter to 2.
4. Execute the first data transfer 65,536 times by means of interrupts. When the transfer counter for the first data transfer reaches 0, the second data transfer is started. Set the upper 8 bits of the transfer source address for the first data transfer to H'21. The lower 16 bits of the transfer destination address of the first data transfer and the transfer counter are H'0000.
5. Next, execute the first data transfer the 65,536 times specified for the first data transfer by means of interrupts. When the transfer counter for the first data transfer reaches 0, the second data transfer is started. Set the upper 8 bits of the transfer source address for the first data transfer to H'20. The lower 16 bits of the transfer destination address of the first data transfer and the transfer counter are H'0000.
6. Steps 4 and 5 are repeated endlessly. As repeat mode is specified for the second data transfer, an interrupt request is not sent to the CPU.



**Figure 9.13 Chain Transfer when Counter = 0**

## 9.7.4 Software Activation

An example is shown in which the DTC is used to transfer a block of 128 bytes of data by means of software activation. The transfer source address is H'1000 and the destination address is H'2000. The vector number is H'60, so the vector address is H'04C0.

1. Set MRA to incrementing source address (SM1 = 1, SM0 = 0), incrementing destination address (DM1 = 1, DM0 = 0), block transfer mode (MD1 = 1, MD0 = 0), and byte size (Sz = 0). The DTS bit can have any value. Set MRB for one block transfer by one interrupt (CHNE = 0). Set the transfer source address (H'1000) in SAR, the destination address (H'2000) in DAR, and 128 (H'8080) in CRA. Set 1 (H'0001) in CRB.
2. Set the start address of the register information at the DTC vector address (H'04C0).
3. Check that the SWDTE bit in DTVECR is 0. Check that there is currently no transfer activated by software.
4. Write 1 to the SWDTE bit and the vector number (H'60) to DTVECR. The write data is H'E0.
5. Read DTVECR again and check that it is set to the vector number (H'60). If it is not, this indicates that the write failed. This is presumably because an interrupt occurred between steps 3 and 4 and led to a different software activation. To activate this transfer, go back to step 3.
6. If the write was successful, the DTC is activated and a block of 128 bytes of data is transferred.
7. After the transfer, an SWDTEND interrupt occurs. The interrupt handling routine should clear the SWDTE bit to 0 and perform other wrap-up processing.

## 9.8 Usage Notes

### 9.8.1 Module Stop Mode Setting

DTC operation can be disabled or enabled using the module stop control register. The initial setting is for DTC operation to be enabled. Register access is disabled by setting module stop mode. Module stop mode cannot be set while the DTC is activated. For details, refer to section 24, Power-Down Modes.

### 9.8.2 On-Chip RAM

The MRA, MRB, SAR, DAR, CRA, and CRB registers are all located in on-chip RAM. When the DTC is used, the RAME bit in SYSCR must not be cleared to 0.

### 9.8.3 DTCE Bit Setting

For DTCE bit setting, use bit manipulation instructions such as BSET and BCLR. If all interrupts are disabled, multiple activation sources can be set at one time (only at the initial setting) by writing data after executing a dummy read on the relevant register.

### 9.8.4 DMAC Transfer End Interrupt

When DTC transfer is activated by a DMAC transfer end interrupt, regardless of the transfer counter and DISEL bit, the DMAC's DTE bit is not subject to DTC control, and the write data has priority. Consequently, an interrupt request may not be sent to the CPU when the DTC transfer counter reaches 0.

### 9.8.5 Chain Transfer

When chain transfer is used, clearing of the activation source or DTCER is performed when the last of the chain of data transfers is executed. SCI and A/D converter interrupt/activation sources, on the other hand, are cleared when the DTC reads or writes to the prescribed register.

Therefore, when the DTC is activated by an interrupt or activation source, if a read/write of the relevant register is not included in the last chained data transfer, the interrupt or activation source will be retained.



---

## Section 10 I/O Ports

Table 10.1 summarizes the port functions. The pins of each port also have other functions such as input/output or external interrupt input pins of on-chip peripheral modules. Each I/O port includes a data direction register (DDR) that controls input/output, a data register (DR) that stores output data, and a port register (PORT) used to read the pin states. The input-only ports do not have a DR or DDR register.

Ports A to E have a built-in pull-up MOS function and a pull-up MOS control register (PCR) to control the on/off state of input pull-up MOS.

Ports 3 and A include an open-drain control register (ODR) that controls the on/off state of the output buffer PMOS.

Ports 1 to 3, 5 (P50 to P53), and 6 to 8 can drive a single TTL load and 30 pF capacitive load. Ports A to H can drive a single TTL load and 50 pF capacitive load.

All of the I/O ports can drive a Darlington transistor when outputting data.

Ports 1 and 2 are Schmitt-triggered inputs. Ports 5, 6, 8, A (PA4, PA5, PA6, PA7), F (PF1, PF2), and H (PH2, PH3) are Schmitt-triggered inputs when used as the IRQ input.

Table 10.1 Port Functions

| Port   | Description   | Mode 1*3  | Mode 2*3 | Mode 4 | Mode 7                |          | Input/<br>Output<br>Type     |
|--------|---|---|----------|--------|-----------------------|----------|------------------------------|
|        |   |   |          |        | EXPE = 1              | EXPE = 0 |                              |
| Port 1 | General I/O port also functioning as PPG outputs, TPU I/Os, and EXDMAC outputs                    | P17/PO15/TIOCB2/TCLKD/EDRAK3*2                    |          |        | P17/PO15/TIOCB2/TCLKD |          | Schmitt-triggered input      |
|        |   | P16/PO14/TIOCA2/EDRAK2*2                          |          |        | P16/PO14/TIOCA2       |          |                              |
| Port 2 | General I/O port also functioning as PPG outputs, TPU I/Os, and interrupt inputs                  | P15/PO13/TIOCB1/TCLKC                             |          |        |                       |          | Schmitt-triggered input      |
|        |   | P14/PO12/TIOCA1                                   |          |        |                       |          |                              |
| Port 3 | General I/O port also functioning as SCI I/Os, I <sup>2</sup> C I/Os, and bus control I/Os        | P13/PO11/TIOCD0/TCLKB                             |          |        |                       |          | Open-drain output capability |
|        |   | P12/PO10/TIOCC0/TCLKA                             |          |        |                       |          |                              |
| Port 4 | General I/O port also functioning as A/D converter analog inputs and D/A converter analog outputs | P11/PO9/TIOCB0                                    |          |        |                       |          |                              |
|        |   | P10/PO8/TIOCA0                                    |          |        |                       |          |                              |
| Port 3 | General I/O port also functioning as SCI I/Os, I <sup>2</sup> C I/Os, and bus control I/Os        | P27/PO7/TIOCB5/( $\overline{\text{IRQ}}15$ )      |          |        | P35/SCK1/SCL0         |          | Open-drain output capability |
|        |   | P26/PO6/TIOCA5/( $\overline{\text{IRQ}}14$ )      |          |        | P35/SCK1/SCL0         |          |                              |
| Port 3 | General I/O port also functioning as SCI I/Os, I <sup>2</sup> C I/Os, and bus control I/Os        | P25/PO5/TIOCB4/( $\overline{\text{IRQ}}13$ )      |          |        |                       |          | Open-drain output capability |
|        |   | P24/PO4/TIOCA4/RxD4/( $\overline{\text{IRQ}}12$ ) |          |        |                       |          |                              |
| Port 3 | General I/O port also functioning as SCI I/Os, I <sup>2</sup> C I/Os, and bus control I/Os        | P23/PO3/TIOCD3/TxD4/( $\overline{\text{IRQ}}11$ ) |          |        |                       |          | Open-drain output capability |
|        |   | P22/PO2/TIOCC3/( $\overline{\text{IRQ}}10$ )      |          |        |                       |          |                              |
| Port 3 | General I/O port also functioning as SCI I/Os, I <sup>2</sup> C I/Os, and bus control I/Os        | P21/PO1/TIOCB3/( $\overline{\text{IRQ}}9$ )       |          |        |                       |          | Open-drain output capability |
|        |   | P20/PO0/TIOCA3/( $\overline{\text{IRQ}}8$ )       |          |        |                       |          |                              |
| Port 3 | General I/O port also functioning as SCI I/Os, I <sup>2</sup> C I/Os, and bus control I/Os        | P35/SCK1/SCL0( $\overline{\text{OE}}$ )/(CKE*1)   |          |        | P35/SCK1/SCL0         |          | Open-drain output capability |
|        |   | P34/SCK0/SCK4/SDA0                                |          |        |                       |          |                              |
| Port 3 | General I/O port also functioning as SCI I/Os, I <sup>2</sup> C I/Os, and bus control I/Os        | P33/RxD1/SCL1                                     |          |        |                       |          | Open-drain output capability |
|        |   | P32/RxD0/IrRxD/SDA1                               |          |        |                       |          |                              |
| Port 3 | General I/O port also functioning as SCI I/Os, I <sup>2</sup> C I/Os, and bus control I/Os        | P31/TxD1  |          |        |                       |          | Open-drain output capability |
|        |   | P30/TxD0/IrTxD                                    |          |        |                       |          |                              |
| Port 4 | General I/O port also functioning as A/D converter analog inputs and D/A converter analog outputs | P47/AN7/DA1*2                                     |          |        |                       |          |                              |
|        |   | P46/AN6/DA0*2                                     |          |        |                       |          |                              |
| Port 4 | General I/O port also functioning as A/D converter analog inputs and D/A converter analog outputs | P45/AN5   |          |        |                       |          |                              |
|        |   | P44/AN4   |          |        |                       |          |                              |
| Port 4 | General I/O port also functioning as A/D converter analog inputs and D/A converter analog outputs | P43/AN3   |          |        |                       |          |                              |
|        |   | P42/AN2   |          |        |                       |          |                              |
| Port 4 | General I/O port also functioning as A/D converter analog inputs and D/A converter analog outputs | P41/AN1   |          |        |                       |          |                              |
|        |   | P40/AN0   |          |        |                       |          |                              |



| Port   | Description   | Mode 1 <sup>*3</sup>   | Mode 2 <sup>*3</sup> | Mode 4 | Mode 7   |  | Input/<br>Output<br>Type                       |
|--------|---|--|----------------------|--------|----------|--|--|
|        |   |  |                      |        | EXPE = 1 | EXPE = 0   |  |
| Port 5 | General I/O port also functioning as interrupt inputs, A/D converter inputs, and SCI I/Os             | P53/ADTRG/IRQ3<br>P52/SCK2/IRQ2<br>P51/RxD2/IRQ1<br>P50/TxD2/IRQ0  |                      |        |          |  | Schmitt-triggered input when used as IRQ input |
| Port 6 | General I/O port also functioning as interrupt inputs, TMR I/Os, and DMAC I/Os                        | P65/TMO1/DACK1/IRQ13<br>P64/TMO0/DACK0/IRQ12<br>P63/TMC11/TEND1/IRQ11<br>P62/TMC10/TEND0/IRQ10<br>P61/TMRI1/DREQ1/IRQ9<br>P60/TMRI0/DREQ0/IRQ8   |                      |        |          |  | Schmitt-triggered input when used as IRQ input |
| Port 8 | General I/O port also functioning as EXDMAC I/Os and interrupt inputs                                 | P85/EDACK3 <sup>*2</sup> /(IRQ5)/SCK3<br>P84/EDACK2 <sup>*2</sup> /(IRQ4)<br>P83/ETEND3 <sup>*2</sup> /(IRQ3)/RxD3<br>P82/ETEND2 <sup>*2</sup> /(IRQ2)<br>P81/EDREQ3 <sup>*2</sup> /(IRQ1)/TxD3<br>80/EDREQ2 <sup>*2</sup> /(IRQ0) |                      |        |          | P85/(IRQ5)/SCK3<br>P84/(IRQ4)<br>P83/(IRQ3)/RxD3<br>P82/(IRQ2)<br>P81/EDREQ3/<br>(IRQ1)<br>P80/EDREQ2/<br>(IRQ0) | Schmitt-triggered input when used as IRQ input |
| Port 9 | Dedicated input port also functioning as A/D converter analog inputs and D/A converter analog outputs | P97/AN15/DA5 <sup>*2</sup><br>P96/AN14/DA4 <sup>*2</sup><br>P95/AN13/DA3<br>P94/AN12/DA2<br>P93/AN11<br>P92/AN10<br>P91/AN9<br>P90/AN8   |                      |        |          |  |  |

| Port   | Description  | Mode 1 <sup>*3</sup>   | Mode 2 <sup>*3</sup> | Mode 4   | Mode 7   |  | Input/Output Type  |
|--------|--|--|----------------------|--|----------|--|--|
|        |  |  |                      |  | EXPE = 1 | EXPE = 0   |  |
| Port A | General I/O port also functioning as address outputs | PA7/A23/ $\overline{\text{IRQ7}}$<br>PA6/A22/ $\overline{\text{IRQ6}}$<br>PA5/A21/ $\overline{\text{IRQ5}}$<br>A20/ $\overline{\text{IRQ4}}$<br>A19<br>A18<br>A17<br>A16 |                      | PA7/A23/ $\overline{\text{IRQ7}}$<br>PA6/A22/ $\overline{\text{IRQ6}}$<br>PA5/A21/ $\overline{\text{IRQ5}}$<br>PA4/A20/ $\overline{\text{IRQ4}}$<br>PA3/A19<br>PA2/A18<br>PA1/A17<br>PA0/A16 |          | PA7/ $\overline{\text{IRQ7}}$<br>PA6/ $\overline{\text{IRQ6}}$<br>PA5/ $\overline{\text{IRQ5}}$<br>PA4/ $\overline{\text{IRQ4}}$<br>PA3<br>PA2<br>PA1<br>PA0 | Only PA4 to PA7 are Schmitt-triggered input when used as IRQ input. Built-in input pull-up MOS<br><br>Open-drain output capability |
| Port B | General I/O port also functioning as address outputs | A15<br>A14<br>A13<br>A12<br>A11<br>A10<br>A9<br>A8   |                      | PB7/A15<br>PB6/A14<br>PB5/A13<br>PB4/A12<br>PB3/A11<br>PB2/A10<br>PB1/A9<br>PB0/A8   |          | PB7<br>PB6<br>PB5<br>PB4<br>PB3<br>PB2<br>PB1<br>PB0   | Built-in input pull-up MOS   |
| Port C | General I/O port also functioning as address outputs | A7<br>A6<br>A5<br>A4<br>A3<br>A2<br>A1<br>A0   |                      | PC7/A7<br>PC6/A6<br>PC5/A5<br>PC4/A4<br>PC3/A3<br>PC2/A2<br>PC1/A1<br>PC0/A0   |          | PC7<br>PC6<br>PC5<br>PC4<br>PC3<br>PC2<br>PC1<br>PC0   | Built-in input pull-up MOS   |

| Port   | Description  | Mode 1 <sup>*3</sup>  | Mode 2 <sup>*3</sup> | Mode 4 | Mode 7   |  | Input/<br>Output<br>Type   |
|--------|--|---|----------------------|--------|----------|--|--|
|        |  |   |                      |        | EXPE = 1 | EXPE = 0   |  |
| Port D | General I/O port also functioning as data I/Os                             | D15<br>D14<br>D13<br>D12<br>D11<br>D10<br>D9<br>D8  |                      |        |          | PD7<br>PD6<br>PD5<br>PD4<br>PD3<br>PD2<br>PD1<br>PD0 | Built-in input pull-up MOS   |
| Port E | General I/O port also functioning as data I/Os                             | PE7/D7<br>PE6/D6<br>PE5/D5<br>PE4/D4<br>PE3/D3<br>PE2/D2<br>PE1/D1<br>PE0/D0  |                      |        |          | PE7<br>PE6<br>PE5<br>PE4<br>PE3<br>PE2<br>PE1<br>PE0 | Built-in input pull-up MOS   |
| Port F | General I/O port also functioning as interrupt inputs and bus control I/Os | PF7/ $\phi$<br>PF6/ $\overline{AS}$<br>$\overline{RD}$<br>$\overline{HWR}$<br>PF3/ $\overline{LWR}$   |                      |        |          | PF7 $\phi$<br>PF6<br>PF5<br>PF4<br>PF3               | Only PF1 and PF2 are Schmitt-triggered inputs when used as the IRQ input |
|        |  | PF2/ $\overline{LCAS}/\overline{DQML}^{*1}/\overline{IRQ15}$  |                      |        |          | PF2/ $\overline{IRQ15}$                              |  |
|        |  | PF1/ $\overline{UCAS}/\overline{DQMU}^{*1}/\overline{IRQ14}$  |                      |        |          | PF1/ $\overline{IRQ14}$                              |  |
|        |  | PF0/ $\overline{WAIT}$  |                      |        |          | PF0  |  |
| Port G | General I/O port also functioning as bus control I/Os                      | PG6/ $\overline{BREQ}$<br>PG5/ $\overline{BACK}$<br>PG4/ $\overline{BREQO}$<br>PG3/ $\overline{CS3}/\overline{RAS3}/\overline{CAS}^*$<br>PG2/ $\overline{CS2}/\overline{RAS2}/\overline{RAS}$<br>PG1/ $\overline{CS1}$<br>PG0/ $\overline{CS0}$ |                      |        |          | PG6<br>PG5<br>PG4<br>PG3<br>PG2<br>PG1<br>PG0        |  |

| Port   | Description  | Mode 1 <sup>*3</sup>                    | Mode 2 <sup>*3</sup> | Mode 4 | Mode 7                         |          | Input/Output Type  |
|--------|--|---|----------------------|--------|--------------------------------|----------|--|
|        |  |   |                      |        | EXPE = 1                       | EXPE = 0 |  |
| Port H | General I/O port also functioning as interrupt inputs and bus control I/Os | PH3/CS7/(IRQ7)/OE/CKE <sup>*1</sup>     |                      |        | PH3/(IRQ7)                     |          | Only PH2 and PH3 are Schmitt-triggered inputs when used as the IRQ input |
|        |  | PH2/CS6/(IRQ6)                          |                      |        | PH2/(IRQ6)                     |          |  |
|        |  | PH1/CS5/RAS5/SDRAM $\phi$ <sup>*1</sup> |                      |        | PH1/SDRAM $\phi$ <sup>*1</sup> |          |  |
|        |  | PH0/CS4/RAS4/WE <sup>*1</sup>           |                      |        | PH0                            |          |  |

- Notes: 1. Not supported by the H8S/2378 0.18 $\mu$ m F-ZTAT Group, H8S/2377, H8S/2375, and H8S/2373.  
2. Not supported by the H8S/2375, H8S/2375R, H8S/2373, and H8S/2373R.  
3. Only modes 1 and 2 are supported on ROM-less versions.

## 10.1 Port 1

Port 1 is an 8-bit I/O port that also has other functions. The port 1 has the following registers.

- Port 1 data direction register (P1DDR)
- Port 1 data register (P1DR)
- Port 1 register (PORT1)

### 10.1.1 Port 1 Data Direction Register (P1DDR)

The individual bits of P1DDR specify input or output for the pins of port 1.

| Bit | Bit Name | Initial Value | R/W | Description   |
|-----|----------|---------------|-----|---|
| 7   | P17DDR   | 0             | W   | When a pin function is specified to a general purpose I/O, setting this bit to 1 makes the corresponding port 1 pin an output pin, while clearing this bit to 0 makes the pin an input pin. |
| 6   | P16DDR   | 0             | W   |   |
| 5   | P15DDR   | 0             | W   |   |
| 4   | P14DDR   | 0             | W   |   |
| 3   | P13DDR   | 0             | W   |   |
| 2   | P12DDR   | 0             | W   |   |
| 1   | P11DDR   | 0             | W   |   |
| 0   | P10DDR   | 0             | W   |   |

### 10.1.2 Port 1 Data Register (P1DR)

P1DR stores output data for the port 1 pins.

| Bit | Bit Name | Initial Value | R/W | Description  |
|-----|----------|---------------|-----|--|
| 7   | P17DR    | 0             | R/W | Output data for a pin is stored when the pin function is specified to a general purpose I/O. |
| 6   | P16DR    | 0             | R/W |  |
| 5   | P15DR    | 0             | R/W |  |
| 4   | P14DR    | 0             | R/W |  |
| 3   | P13DR    | 0             | R/W |  |
| 2   | P12DR    | 0             | R/W |  |
| 1   | P11DR    | 0             | R/W |  |
| 0   | P10DR    | 0             | R/W |  |

### 10.1.3 Port 1 Register (PORT1)

PORT1 shows the pin states.

PORT1 cannot be modified.

| Bit | Bit Name | Initial Value | R/W | Description  |
|-----|----------|---------------|-----|--|
| 7   | P17      | —*            | R   | If a port 1 read is performed while P1DDR bits are set to 1, the P1DR values are read. If a port 1 read is performed while P1DDR bits are cleared to 0, the pin states are read. |
| 6   | P16      | —*            | R   |  |
| 5   | P15      | —*            | R   |  |
| 4   | P14      | —*            | R   |  |
| 3   | P13      | —*            | R   |  |
| 2   | P12      | —*            | R   |  |
| 1   | P11      | —*            | R   |  |
| 0   | P10      | —*            | R   |  |

Note: \* Determined by the states of pins P17 to P10.

### 10.1.4 Pin Functions

Port 1 pins also function as the pins for PPG outputs, TPU I/Os, and EXDMAC outputs\*. The correspondence between the register specification and the pin functions is shown below.

- P17/PO15/TIOCB2/TCLKD/ $\overline{\text{EDRAK3}}$ \*<sup>3</sup>

The pin function is switched as shown below according to the combination of the TPU channel 2 settings (by bits MD3 to MD0 in TMDR\_2, bits IOB3 to IOB0 in TIOR\_2, and bits CCLR1 and CCLR0 in TCR\_2), bits TPSC2 to TPSC0 in TCR\_0 and TCR\_5, bit NDER15 in NDERH, bit EDRAKE in EDMDR\_3, and bit P17DDR.

Modes 1, 2, 4, 7 (EXPE = 1)

| EDRAKE                 | 0                  |                            |            |             | 1                                 |
|------------------------|--------------------|----------------------------|------------|-------------|-----------------------------------|
| TPU channel 2 settings | (1) in table below | (2) in table below         |            |             | —                                 |
| P17DDR                 | —                  | 0                          | 1          | 1           | —                                 |
| NDER15                 | —                  | —                          | 0          | 1           | —                                 |
| Pin function           | TIOCB2 output      | P17 input                  | P17 output | PO15 output | $\overline{\text{EDRAK3}}$ output |
|                        |                    | TIOCB2 input* <sup>1</sup> |            |             |                                   |
|                        |                    | TCLKD input* <sup>2</sup>  |            |             |                                   |

## Mode 7 (EXPE = 0)

|                        |                           |                            |            |             |
|------------------------|---------------------------|----------------------------|------------|-------------|
| EDRAKE                 | —                         |                            |            |             |
| TPU channel 2 settings | (1) in table below        | (2) in table below         |            |             |
| P17DDR                 | —                         | 0                          | 1          | 1           |
| NDER15                 | —                         | —                          | 0          | 1           |
| Pin function           | TIOCB2 output             | P17 input                  | P17 output | PO15 output |
|                        |                           | TIOCB2 input* <sup>1</sup> |            |             |
|                        | TCLKD input* <sup>2</sup> |                            |            |             |

- Notes: 1. TIOCB2 input when MD3 to MD0 = B'0000, B'000, and B'01xx and IOB3 = 1.  
 2. TCLKD input when the setting for either TCR\_0 or TCR\_5 is TPSC2 to TPSC0 = B'111. TCLKD input when channels 2 and 4 are set to phase counting mode.  
 3. Not supported by the H8S/2375, H8S/2375R, H8S/2373, and H8S/2373R.

|                        |                            |  |        |        |                    |      |
|------------------------|----------------------------|--|--------|--------|--------------------|------|
| TPU channel 2 settings | (2)                        | (1)  | (2)    | (2)    | (1)                | (2)  |
| MD3 to MD0             | B'0000, B'01xx             |  | B'0010 | B'0011 |                    |      |
| IOB3 to IOB0           | B'0000<br>B'0100<br>B'1xxx | B'0001 to<br>B'0011<br>B'0101 to<br>B'0111 | —      | B'xx00 | Other than B'xx00  |      |
| CCLR1, CCLR0           | —                          | —  | —      | —      | Other than<br>B'10 | B'10 |
| Output function        | —                          | Output compare output                      | —      | —      | PWM mode 2 output  | —    |

Legend:

x: Don't care

- P16/PO14/TIOCA2/ $\overline{\text{EDRAK2}}$ \*<sup>3</sup>

The pin function is switched as shown below according to the combination of the TPU channel 2 settings (by bits MD3 to MD0 in TMDR\_2, bits IOB3 to IOB0 in TIOR\_2, and bits CCLR1 and CCLR0 in TCR\_2), bit NDER14 in NDERH, bit EDRAKE in EDMDR\_2 and bit P16DDR.

Modes 1, 2, 4, 7 (EXPE = 1)

| EDRAKE                 | 0                         |                    |            |             | 1                                 |
|------------------------|---------------------------|--------------------|------------|-------------|-----------------------------------|
| TPU channel 2 settings | (1) in table below        | (2) in table below |            |             | —                                 |
| P16DDR                 | —                         | 0                  | 1          | 1           | —                                 |
| NDER14                 | —                         | —                  | 0          | 1           | —                                 |
| Pin function           | TIOCA2 output             | P16 input          | P16 output | PO14 output | $\overline{\text{EDRAK2}}$ output |
|                        | TIOCA input* <sup>1</sup> |                    |            |             |                                   |



## Mode 7 (EXPE = 0)

|                        |                    |                            |            |             |
|------------------------|--------------------|----------------------------|------------|-------------|
| EDRAKE                 | —                  |                            |            |             |
| TPU channel 2 settings | (1) in table below | (2) in table below         |            |             |
| P16DDR                 | —                  | 0                          | 1          | 1           |
| NDER14                 | —                  | —                          | 0          | 1           |
| Pin function           | TIOCA2 output      | P16 input                  | P16 output | PO14 output |
|                        |                    | TIOCA2 input <sup>*1</sup> |            |             |

| TPU channel 2 settings | (2)                        | (1)  | (2)    | (1)                                | (1)                  | (2)  |
|------------------------|----------------------------|--|--------|------------------------------------|----------------------|------|
| MD3 to MD0             | B'0000, B'01xx             |  | B'001x | B'0010                             | B'0011               |      |
| IOA3 to IOA0           | B'0000<br>B'0100<br>B'1xxx | B'0001 to<br>B'0011<br>B'0101 to<br>B'0111 | B'xx00 | Other than B'xx00                  |                      |      |
| CCLR1, CCLR0           | —                          | —  | —      | —                                  | Other than<br>B'10   | B'10 |
| Output function        | —                          | Output compare output                      | —      | PWM <sup>*2</sup><br>mode 1 output | PWM<br>mode 2 output | —    |

Legend:

x: Don't care

- Notes: 1. TIOCA2 input when MD3 to MD0 = B'0000, B'000, and B'01xx and IOB3 = 1.  
 2. TIOCB2 output disabled.  
 3. Not supported by the H8S/2375, H8S/2375R, H8S/2373, and H8S/2373R.

- P15/PO13/TIOCB1/TCLKC

The pin function is switched as shown below according to the combination of the TPU channel 1 settings (by bits MD3 to MD0 in TMDR\_1, bits IOB3 to IOB0 in TIOR\_1, and bits CCLR1 and CCLR0 in TCR\_1), bits TPSC2 to TPSC0 in TCR\_0, TCR\_2, TCR\_4, and TCR\_5, bit NDER13 in NDERH, and bit P15DDR.

| TPU channel 1 settings | (1) in table below | (2) in table below |            |             |
|------------------------|--------------------|--------------------|------------|-------------|
| P15DDR                 | —                  | 0                  | 1          | 1           |
| NDER13                 | —                  | —                  | 0          | 1           |
| Pin function           | TIOCB1 output      | P15 input          | P15 output | PO13 output |
|                        |                    | TIOCB1 input*1     |            |             |
|                        | TCLKC input*2      |                    |            |             |

Notes: 1. TIOCB1 input when MD3 to MD0 = B'0000 or B'01xx and IOB3 to IOB0 = B'10xx.

2. TCLKC input when the setting for either TCR\_0 or TCR\_2 is TPSC2 to TPSC0 = B'110, or when the setting for either TCR\_4 or TCR\_5 is TPSC2 to TPSC0 = B'101.

TCLKC input when phase counting mode is set for channels 2 and 4.

| TPU channel 1 settings | (2)                        | (1)  | (2)    | (2)    | (1)                | (2)  |
|------------------------|----------------------------|--|--------|--------|--------------------|------|
| MD3 to MD0             | B'0000, B'01xx             |  | B'0010 | B'0011 |                    |      |
| IOB3 to IOB0           | B'0000<br>B'0100<br>B'1xxx | B'0001 to<br>B'0011<br>B'0101 to<br>B'0111 | —      | B'xx00 | Other than B'xx00  |      |
| CCLR1, CCLR0           | —                          | —  | —      | —      | Other than<br>B'10 | B'10 |
| Output function        | —                          | Output compare output                      | —      | —      | PWM mode 2 output  | —    |

Legend:

x: Don't care

- P14/PO12/TIOCA1

The pin function is switched as shown below according to the combination of the TPU channel 1 settings (by bits MD3 to MD0 in TMDR\_1, bits IOA3 to IOA0 in TIOR\_1, and bits CCLR1 and CCLR0 in TCR\_1), bit NDER12 in NDERH, and bit P14DDR.

| TPU channel 1 settings | (1) in table below | (2) in table below         |            |             |
|------------------------|--------------------|----------------------------|------------|-------------|
| P14DDR                 | —                  | 0                          | 1          | 1           |
| NDER12                 | —                  | —                          | 0          | 1           |
| Pin function           | TIOCA1 output      | P14 input                  | P14 output | PO12 output |
|                        |                    | TIOCA1 input* <sup>1</sup> |            |             |

| TPU channel 1 settings | (2)                        | (1)  | (2)    | (1)                                   | (1)                   | (2)  |
|------------------------|----------------------------|--|--------|---------------------------------------|-----------------------|------|
| MD3 to MD0             | B'0000, B'01xx             |  | B'001x | B'0010                                | B'0011                |      |
| IOA3 to IOA0           | B'0000<br>B'0100<br>B'1xxx | B'0001 to<br>B'0011<br>B'0101 to<br>B'0111 | B'xx00 | Other<br>than B'xx00                  | Other than B'xx00     |      |
| CCLR1, CCLR0           | —                          | —  | —      | —                                     | Other<br>than<br>B'01 | B'01 |
| Output function        | —                          | Output<br>compare<br>output                | —      | PWM* <sup>2</sup><br>mode 1<br>output | PWM mode<br>2 output  | —    |

Legend:

x: Don't care

Notes: 1. TIOCA1 input when MD3 to MD0 = B'0000 or B'01xx and IOA3 to IOA0 = B'10xx.  
2. TIOCB1 output disabled.

- P13/PO11/TIOCD0/TCLKB

The pin function is switched as shown below according to the combination of the TPU channel 0 settings (by bits MD3 to MD0 in TMDR\_0, bits IOD3 to IOD0 in TIOR0L, and bits CCLR2 to CCLR0 in TCR\_0), bits TPSC2 to TPSC0 in TCR\_0 to TCR\_2, bit NDER11 in NDERH, and bit P13DDR.

| TPU channel 0 settings | (1) in table below | (2) in table below |            |             |
|------------------------|--------------------|--------------------|------------|-------------|
| P13DDR                 | —                  | 0                  | 1          | 1           |
| NDER11                 | —                  | —                  | 0          | 1           |
| Pin function           | TIOCD0 output      | P13 input          | P13 output | PO11 output |
|                        |                    | TIOCD0 input*1     |            |             |
|                        | TCLKB input*2      |                    |            |             |

Notes: 1. TIOCD0 input when MD3 to MD0 = B'0000 and IOD3 to IOD0 = B'10xx.

2. TCLKB input when the setting for any of TCR\_0 to TCR\_2 is TPSC2 to TPSC0 = B'101.  
TCLKB input when phase counting mode is set for channels 1 and 5.

| TPU channel 0 settings | (2)                        | (1)  | (2)    | (2)    | (1)                 | (2)   |
|------------------------|----------------------------|--|--------|--------|---------------------|-------|
| MD3 to MD0             | B'0000                     |  | B'0010 | B'0011 |                     |       |
| IOD3 to IOD0           | B'0000<br>B'0100<br>B'1xxx | B'0001 to<br>B'0011<br>B'0101 to<br>B'0111 | —      | B'xx00 | Other than B'xx00   |       |
| CCLR2, CCLR0           | —                          | —  | —      | —      | Other than<br>B'110 | B'110 |
| Output function        | —                          | Output compare output                      | —      | —      | PWM mode 2 output   | —     |

Legend:

x: Don't care

- P12/PO10/TIOCC0/TCLKA

The pin function is switched as shown below according to the combination of the TPU channel 0 settings (by bits MD3 to MD0 in TMDR\_0, bits IOC3 to IOC0 in TIORL\_0, and bits CCLR2 to CCLR0 in TCR\_0), bits TPSC2 to TPSC0 in TCR\_0 to TCR\_5, bit NDER10 in NDERH, and bit P12DDR.

| TPU channel 0 settings | (1) in table below        | (2) in table below         |            |             |
|------------------------|---------------------------|----------------------------|------------|-------------|
| P12DDR                 | —                         | 0                          | 1          | 1           |
| NDER10                 | —                         | —                          | 0          | 1           |
| Pin function           | TIOCC0 output             | P12 input                  | P12 output | PO10 output |
|                        |                           | TIOCC0 input* <sup>1</sup> |            |             |
|                        | TCLKA input* <sup>2</sup> |                            |            |             |

| TPU channel 0 settings | (2)                        | (1)  | (2)    | (1)                                   | (1)                    | (2)   |
|------------------------|----------------------------|--|--------|---------------------------------------|------------------------|-------|
| MD3 to MD0             | B'0000                     |  | B'001× | B'0010                                | B'0011                 |       |
| IOC3 to IOC0           | B'0000<br>B'0100<br>B'1xxx | B'0001 to<br>B'0011<br>B'0101 to<br>B'0111 | B'xx00 | Other<br>than B'xx00                  | Other than B'xx00      |       |
| CCLR2, CCLR0           | —                          | —  | —      | —                                     | Other<br>than<br>B'101 | B'101 |
| Output function        | —                          | Output<br>compare<br>output                | —      | PWM* <sup>3</sup><br>mode 1<br>output | PWM mode<br>2 output   | —     |

Legend:

×: Don't care

- Notes:
1. TIOCC0 input when MD3 to MD0 = B'0000 and IOC3 to IOC0 = B'10xx.
  2. TCLKA input when the setting for any of TCR\_0 to TCR\_5 is TPSC2 to TPSC0 = B'100. TCLKA input when phase counting mode is set for channels 1 and 5.
  3. TIOCC0 output disabled.  
Output disabled and settings (2) effective when BFA = 1 or BFB = 1 in TMDR\_0.

- P11/PO9/TIOCB0

The pin function is switched as shown below according to the combination of the TPU channel 0 settings (by bits MD3 to MD0 in TMDR\_0, bits IOB3 to IOB0 in TIORH\_0, and bits CCLR2 to CCLR0 in TCR\_0), bit NDER9 in NDERH, and bit P11DDR.

| TPU channel 0 settings | (1) in table below | (2) in table below |            |            |
|------------------------|--------------------|--------------------|------------|------------|
|                        |                    | 0                  | 1          | 1          |
| P11DDR                 | —                  | 0                  | 1          | 1          |
| NDER9                  | —                  | —                  | 0          | 1          |
| Pin function           | TIOCB0 output      | P11 input          | P11 output | PO9 output |
|                        |                    | TIOCB0 input*      |            |            |

Note: \* TIOCB0 input when MD3 to MD0 = B'0000 and IOB3 to IOB0 = B'10xx.

| TPU channel 0 settings | (2)                        | (1)  | (2)    | (2)    | (1)                 | (2)   |
|------------------------|----------------------------|--|--------|--------|---------------------|-------|
| MD3 to MD0             | B'0000                     |  | B'0010 | B'0011 |                     |       |
| IOB3 to IOB0           | B'0000<br>B'0100<br>B'1xxx | B'0001 to<br>B'0011<br>B'0101 to<br>B'0111 | —      | B'xx00 | Other than B'xx00   |       |
| CCLR2, CCLR0           | —                          | —  | —      | —      | Other than<br>B'010 | B'010 |
| Output function        | —                          | Output compare output                      | —      | —      | PWM mode 2 output   | —     |

Legend:

x: Don't care

- P10/PO8/TIOCA0

The pin function is switched as shown below according to the combination of the TPU channel 0 settings (by bits MD3 to MD0 in TMDR\_0, bits IOA3 to IOA0 in TIORH\_0, and bits CCLR2 to CCLR0 in TCR\_0), bit NDER8 in NDERH, and bit P10DDR.

| TPU channel 0 settings | (1) in table below | (2) in table below         |            |            |
|------------------------|--------------------|----------------------------|------------|------------|
| P10DDR                 | —                  | 0                          | 1          | 1          |
| NDER8                  | —                  | —                          | 0          | 1          |
| Pin function           | TIOCA0 output      | P10 input                  | P10 output | PO8 output |
|                        |                    | TIOCA0 input* <sup>1</sup> |            |            |

| TPU channel 0 settings | (2)                        | (1)  | (2)    | (1)                                   | (1)                     | (2)   |
|------------------------|----------------------------|--|--------|---------------------------------------|-------------------------|-------|
| MD3 to MD0             | B'0000                     |  | B'001× | B'0010                                | B'0011                  |       |
| IOA3 to IOA0           | B'0000<br>B'0100<br>B'1××× | B'0001 to<br>B'0011<br>B'0101 to<br>B'0111 | B'××00 | Other<br>than B'××00                  | Other than B'××00       |       |
| CCLR2, CCLR0           | —                          | —  | —      | —                                     | Other<br>than<br>B'001  | B'001 |
| Output function        | —                          | Output<br>compare<br>output                | —      | PWM* <sup>2</sup><br>mode 1<br>output | PWM<br>mode 2<br>output | —     |

Legend:

×: Don't care

Notes: 1. TIOCA0 input when MD3 to MD0 = B'0000 and IOA3 to IOA0 = B'10××.  
2. TIOCB0 output disabled.

## 10.2 Port 2

Port 2 is an 8-bit I/O port that also has other functions. The port 2 has the following registers.

- Port 2 data direction register (P2DDR)
- Port 2 data register (P2DR)
- Port 2 register (PORT2)

### 10.2.1 Port 2 Data Direction Register (P2DDR)

The individual bits of P2DDR specify input or output for the pins of port 2.

P2DDR cannot be read; if it is, an undefined value will be read.

| Bit | Bit Name | Initial Value | R/W | Description   |
|-----|----------|---------------|-----|---|
| 7   | P27DDR   | 0             | W   | When a pin function is specified to a general purpose I/O, setting this bit to 1 makes the corresponding port 1 pin an output pin, while clearing this bit to 0 makes the pin an input pin. |
| 6   | P26DDR   | 0             | W   |   |
| 5   | P25DDR   | 0             | W   |   |
| 4   | P24DDR   | 0             | W   |   |
| 3   | P23DDR   | 0             | W   |   |
| 2   | P22DDR   | 0             | W   |   |
| 1   | P21DDR   | 0             | W   |   |
| 0   | P20DDR   | 0             | W   |   |

---



### 10.2.2 Port 2 Data Register (P2DR)

P2DR stores output data for the port 2 pins.

| Bit | Bit Name | Initial Value | R/W | Description  |
|-----|----------|---------------|-----|--|
| 7   | P27DR    | 0             | R/W | Output data for a pin is stored when the pin function is specified to a general purpose I/O. |
| 6   | P26DR    | 0             | R/W |  |
| 5   | P25DR    | 0             | R/W |  |
| 4   | P24DR    | 0             | R/W |  |
| 3   | P23DR    | 0             | R/W |  |
| 2   | P22DR    | 0             | R/W |  |
| 1   | P21DR    | 0             | R/W |  |
| 0   | P20DR    | 0             | R/W |  |

### 10.2.3 Port 2 Register (PORT2)

PORT2 shows the pin states.

PORT2 cannot be modified.

| Bit | Bit Name | Initial Value | R/W | Description  |
|-----|----------|---------------|-----|--|
| 7   | P27      | —*            | R   | If a port 2 read is performed while P2DDR bits are set to 1, the P2DR values are read. If a port 2 read is performed while P2DDR bits are cleared to 0, the pin states are read. |
| 6   | P26      | —*            | R   |  |
| 5   | P25      | —*            | R   |  |
| 4   | P24      | —*            | R   |  |
| 3   | P23      | —*            | R   |  |
| 2   | P22      | —*            | R   |  |
| 1   | P21      | —*            | R   |  |
| 0   | P20      | —*            | R   |  |

Note: \* Determined by the states of pins P27 to P20.

## 10.2.4 Pin Functions

Port 2 pins also function as PPG outputs, TPU I/Os, and interrupt inputs. The correspondence between the register specification and the pin functions is shown below.

- P27/PO7/TIOCB5/ $\overline{\text{IRQ15}}$

The pin function is switched as shown below according to the combination of the TPU channel 5 settings (by bits MD3 to MD0 in TMDR\_5, bits IOB3 to IOB0 in TIOR\_5, and bits CCLR1 and CCLR0 in TCR\_5), bit NDER7 in NDERL, bit P27DDR, and bit ITS15 in ITSr.

| TPU channel 5 settings | (1) in table below                                     | (2) in table below         |            |            |
|------------------------|--|----------------------------|------------|------------|
| P27DDR                 | —  | 0                          | 1          | 1          |
| NDER7                  | —  | —                          | 0          | 1          |
| Pin function           | TIOCB5 output  | P27 input                  | P27 output | PO7 output |
|                        |  | TIOCB5 input* <sup>1</sup> |            |            |
|                        | $\overline{\text{IRQ5}}$ interrupt input* <sup>2</sup> |                            |            |            |

Notes: 1. TIOCB5 input when MD3 to MD0 = B'0000 or B'01xx and IOB3 = 1.

2.  $\overline{\text{IRQ15}}$  input when ITS15 = 1.

| TPU channel 5 settings | (2)                        | (1)  | (2)    | (2)               | (1)               | (2)  |
|------------------------|----------------------------|--|--------|-------------------|-------------------|------|
| MD3 to MD0             | B'0000, B'01xx             |  | B'0010 | B'0011            |                   |      |
| IOB3 to IOB0           | B'0000<br>B'0100<br>B'1xxx | B'0001 to<br>B'0011<br>B'0101 to<br>B'0111 | B'xx00 | Other than B'xx00 |                   |      |
| CCLR1, CCLR0           | —                          | —  | —      | —                 | Other than B'10   | B'10 |
| Output function        | —                          | Output compare output                      | —      | —                 | PWM mode 2 output | —    |

Legend:

x: Don't care

- P26/PO6/TIOCA5/ $\overline{\text{IRQ14}}$

The pin function is switched as shown below according to the combination of the TPU channel 5 settings (by bits MD3 to MD0 in TMDR\_5, bits IOA3 to IOA0 in TIOR\_5, and bits CCLR1 and CCLR0 in TCR\_5), bit NDER6 in NDERL, bit P26DDR, and bit ITS14 in ITSr.

| TPU channel 5 settings | (1) in table below                          | (2) in table below |            |            |
|------------------------|---|--------------------|------------|------------|
| P26DDR                 | —   | 0                  | 1          | 1          |
| NDER6                  | —   | —                  | 0          | 1          |
| Pin function           | TIOCA5 output                               | P26 input          | P26 output | PO6 output |
|                        |   | TIOCA5 input*1     |            |            |
|                        | $\overline{\text{IRQ14}}$ interrupt input*2 |                    |            |            |

| TPU channel 5 settings | (2)                        | (1)  | (2)    | (2)                  | (1)                | (2)  |
|------------------------|----------------------------|--|--------|----------------------|--------------------|------|
| MD3 to MD0             | B'0000, B'01xx             |  | B'001x | B'0010               | B'0011             |      |
| IOA3 to IOA0           | B'0000<br>B'0100<br>B'1xxx | B'0001 to<br>B'0011<br>B'0101 to<br>B'0111 | B'xx00 | Other than<br>B'xx00 | Other than B'xx00  |      |
| CCLR1, CCLR0           | —                          | —  | —      | —                    | Other than<br>B'01 | B'01 |
| Output function        | —                          | Output compare output                      | —      | PWM*3 mode 1 output  | PWM mode 2 output  | —    |

Legend:

x: Don't care

Notes: 1. TIOCA5 input when MD3 to MD0 = B'0000 or B'01xx and IOA3 = 1.

2.  $\overline{\text{IRQ14}}$  input when ITS14 = 1.

3. TIOCB5 output disabled.

- P25/PO5/TIOCB4/ $\overline{\text{IRQ13}}$

The pin function is switched as shown below according to the combination of the TPU channel 4 settings (by bits MD3 to MD0 in TMDR\_4, bits IOB3 to IOB0 in TIOR\_4, and bits CCLR1 and CCLR0 in TCR\_4), bit NDER5 in NDERL, bit P25DDR, and bit ITS13 in ITSr.

| TPU channel 4 settings | (1) in table below                                      | (2) in table below         |            |            |
|------------------------|---|----------------------------|------------|------------|
|                        |   | 0                          | 1          | 1          |
| P25DDR                 | —   | 0                          | 1          | 1          |
| NDER5                  | —   | —                          | 0          | 1          |
| Pin function           | TIOCB4 output   | P25 input                  | P25 output | PO5 output |
|                        |   | TIOCB4 input <sup>*1</sup> |            |            |
|                        | $\overline{\text{IRQ13}}$ interrupt input <sup>*2</sup> |                            |            |            |

Notes: 1. TIOCB4 input when MD3 to MD0 = B'0000 or B'01xx and IOB3 to IOB0 = B'10xx.

2.  $\overline{\text{IRQ13}}$  input when ITS13 = 1.

| TPU channel 4 settings | (2)                        | (1)  | (2)    | (2)    | (1)                | (2)  |
|------------------------|----------------------------|--|--------|--------|--------------------|------|
| MD3 to MD0             | B'0000, B'01xx             |  | B'0010 | B'0011 |                    |      |
| IOB3 to IOB0           | B'0000<br>B'0100<br>B'1xxx | B'0001 to<br>B'0011<br>B'0101 to<br>B'0111 | —      | B'xx00 | Other than B'xx00  |      |
| CCLR1, CCLR0           | —                          | —  | —      | —      | Other than<br>B'10 | B'10 |
| Output function        | —                          | Output compare output                      | —      | —      | PWM mode 2 output  | —    |

Legend:

x: Don't care

- P24/PO4/TIOCA4/RxD4/( $\overline{\text{IRQ12}}$ )

The pin function is switched as shown below according to the combination of the TPU channel 4 settings (by bits MD3 to MD0 in TMDR\_4, bits IOA3 to IOA0 in TIOR\_4, and bits CCLR1 and CCLR0 in TCR\_4), bit NDER4 in NDERL, bit RE in SCR of SCI\_4, bit P24DDR, and bit ITS12 in ITSr.

|                        |   |                            |            |            |                |
|------------------------|---|----------------------------|------------|------------|----------------|
| RE                     | 0   |                            |            |            | 1              |
| TPU channel 4 settings | (1) in table below                                      | (2) in table below         |            |            | —              |
| P24DDR                 | —   | 0                          | 1          | 1          | —              |
| NDER4                  | —   | —                          | 0          | 1          | —              |
| Pin function           | TIOCA4 output   | P24 input                  | P24 output | PO4 output | RXD4 input pin |
|                        |   | TIOCA4 input* <sup>1</sup> |            |            |                |
|                        | $\overline{\text{IRQ12}}$ interrupt input* <sup>2</sup> |                            |            |            |                |

|                        |                            |  |        |                                       |                       |      |
|------------------------|----------------------------|--|--------|---------------------------------------|-----------------------|------|
| TPU channel 4 settings | (2)                        | (1)  | (2)    | (1)                                   | (1)                   | (2)  |
| MD3 to MD0             | B'0000, B'01xx             |  | B'001x | B'0010                                | B'0011                |      |
| IOA3 to IOA0           | B'0000<br>B'0100<br>B'1xxx | B'0001 to<br>B'0011<br>B'0101 to<br>B'0111 | B'xx00 | Other<br>than B'xx00                  | Other than B'xx00     |      |
| CCLR1, CCLR0           | —                          | —  | —      | —                                     | Other<br>than<br>B'01 | B'01 |
| Output function        | —                          | Output<br>compare<br>output                | —      | PWM* <sup>3</sup><br>mode 1<br>output | PWM mode<br>2 output  | —    |

Legend:

x: Don't care

- Notes: 1. TIOCA4 input when MD3 to MD0 = B'0000 or B'01xx and IOA3 to IOA0 = B'10xx.  
 2.  $\overline{\text{IRQ12}}$  input when ITS12 = 1.  
 3. TIOCB4 output disabled.

- P23/PO3/TIOCD3/TxD4/ $\overline{\text{IRQ11}}$

The pin function is switched as shown below according to the combination of the TPU channel 3 settings (by bits MD3 to MD0 in TMDR\_3, bits IOD3 to IOD0 in TIORL\_3, and bits CCLR2 to CCLR0 in TCR\_3), bit NDER3 in NDERL, bit TE in SCR of SCI\_4, bit P23DDR, and bit ITS11 in ITSr.

| TE                     | 0   |                    |            |            | 1           |
|------------------------|---|--------------------|------------|------------|-------------|
| TPU channel 3 settings | (1) in table below                          | (2) in table below |            |            | —           |
| P23DDR                 | —   | 0                  | 1          | 1          | —           |
| NDER3                  | —   | —                  | 0          | 1          | —           |
| Pin function           | TIOCD3 output                               | P23 input          | P23 output | PO3 output | TXD4 output |
|                        |   | TIOCA3 input*1     |            |            |             |
|                        | $\overline{\text{IRQ11}}$ interrupt input*2 |                    |            |            |             |

Notes: 1. TIOCD3 input when MD3 to MD0 = B'0000 and IOD3 to IOD0 = B'10xx.

2.  $\overline{\text{IRQ11}}$  input when ITS11 = 1.

| TPU channel 3 settings | (2)                        | (1)  | (2)    | (2)    | (1)                 | (2)   |
|------------------------|----------------------------|--|--------|--------|---------------------|-------|
| MD3 to MD0             | B'0000                     |  | B'0010 | B'0011 |                     |       |
| IOD3 to IOD0           | B'0000<br>B'0100<br>B'1xxx | B'0001 to<br>B'0011<br>B'0101 to<br>B'0111 | —      | B'xx00 | Other than B'xx00   |       |
| CCLR2 to<br>CCLR0      | —                          | —  | —      | —      | Other than<br>B'110 | B'110 |
| Output function        | —                          | Output compare output                      | —      | —      | PWM mode 2 output   | —     |

Legend:

x: Don't care

- P22/PO2/TIOCC3/ $\overline{\text{IRQ10}}$

The pin function is switched as shown below according to the combination of the TPU channel 3 settings (by bits MD3 to MD0 in TMDR\_3, bits IOC3 to IOC0 in TIORL\_3, and bits CCLR2 to CCLR0 in TCR\_3), bit NDER2 in NDERL, bit P22DDR, and bit ITS10 in ITSr.

| TPU channel 3 settings | (1) in table below                                      | (2) in table below         |            |            |
|------------------------|---|----------------------------|------------|------------|
| P22DDR                 | —   | 0                          | 1          | 1          |
| NDER2                  | —   | —                          | 0          | 1          |
| Pin function           | TIOCC3 output   | P22 input                  | P22 output | PO2 output |
|                        |   | TIOCC3 input <sup>*1</sup> |            |            |
|                        | $\overline{\text{IRQ10}}$ interrupt input <sup>*2</sup> |                            |            |            |

| TPU channel 3 settings | (2)                        | (1)  | (2)    | (1)                                   | (1)                    | (2)   |
|------------------------|----------------------------|--|--------|---------------------------------------|------------------------|-------|
| MD3 to MD0             | B'0000                     |  | B'001× | B'0010                                | B'0011                 |       |
| IOC3 to IOC0           | B'0000<br>B'0100<br>B'1xxx | B'0001 to<br>B'0011<br>B'0101 to<br>B'0111 | B'xx00 | Other<br>than B'xx00                  | Other than B'xx00      |       |
| CCLR2 to<br>CCLR0      | —                          | —  | —      | —                                     | Other<br>than<br>B'101 | B'101 |
| Output function        | —                          | Output<br>compare<br>output                | —      | PWM <sup>*3</sup><br>mode 1<br>output | PWM mode<br>2 output   | —     |

Legend:

×: Don't care

Notes: 1. TIOCC3 input when MD3 to MD0 = B'0000 and IOC3 to IOC0 = B'10xx.

2.  $\overline{\text{IRQ10}}$  input when ITS10 = 1.

3. TIOCC3 output disabled.

Output disabled and settings (2) effective when BFA = 1 or BFB = 1 in TMDR\_3.

- P21/PO1/TIOCB3/ $\overline{\text{IRQ9}}$

The pin function is switched as shown below according to the combination of the TPU channel 3 settings (by bits MD3 to MD0 in TMDR\_3, bits IOB3 to IOB0 in TIORH\_3, and bits CCLR2 to CCLR0 in TCR\_3), bit NDER1 in NDERL, bit P21DDR, and bit ITS9 in ITSr.

| TPU channel 3 settings | (1) in table below                 | (2) in table below         |            |            |
|------------------------|------------------------------------|----------------------------|------------|------------|
| P21DDR                 | —                                  | 0                          | 1          | 1          |
| NDER1                  | —                                  | —                          | 0          | 1          |
| Pin function           | TIOCB3 output                      | P21 input                  | P21 output | PO1 output |
|                        |                                    | TIOCB3 input* <sup>1</sup> |            |            |
|                        | IRQ9 interrupt input* <sup>2</sup> |                            |            |            |

Notes: 1. TIOCB3 input when MD3 to MD0 = B'0000 and IOB3 to IOB0 = B'10xx.

2.  $\overline{\text{IRQ9}}$  input when ITS9 = 1.

| TPU channel 3 settings | (2)                        | (1)  | (2)    | (2)    | (1)                  | (2)   |
|------------------------|----------------------------|--|--------|--------|----------------------|-------|
| MD3 to MD0             | B'0000                     |  | B'0010 | B'0011 |                      |       |
| IOB3 to IOB0           | B'0000<br>B'0100<br>B'1xxx | B'0001 to<br>B'0011<br>B'0101 to<br>B'0111 | —      | B'xx00 | Other than B'xx00    |       |
| CCLR2 to<br>CCLR0      | —                          | —  | —      | —      | Other than<br>B'010  | B'010 |
| Output function        | —                          | Output<br>compare<br>output                | —      | —      | PWM mode<br>2 output | —     |

Legend:

x: Don't care



- P20/PO0/TIOCA3/ $\overline{\text{IRQ8}}$

The pin function is switched as shown below according to the combination of the TPU channel 3 settings (by bits MD3 to MD0 in TMDR\_3, bits IOA3 to IOA0 in TIORH\_3, and bits CCLR2 to CCLR0 in TCR\_3), bit NDER0 in NDERL, bit P20DDR, and bit ITS8 in ITSr.

| TPU channel 3 settings | (1) in table below                                     | (2) in table below         |            |            |
|------------------------|--|----------------------------|------------|------------|
| P20DDR                 | —  | 0                          | 1          | 1          |
| NDER0                  | —  | —                          | 0          | 1          |
| Pin function           | TIOCA3 output  | P20 input                  | P20 output | PO0 output |
|                        |  | TIOCA3 input* <sup>1</sup> |            |            |
|                        | $\overline{\text{IRQ8}}$ interrupt input* <sup>2</sup> |                            |            |            |

| TPU channel 3 settings | (2)                        | (1)  | (2)    | (1)                                   | (1)                    | (2)   |
|------------------------|----------------------------|--|--------|---------------------------------------|------------------------|-------|
| MD3 to MD0             | B'0000                     |  | B'001× | B'0010                                | B'0011                 |       |
| IOA3 to IOA0           | B'0000<br>B'0100<br>B'1xxx | B'0001 to<br>B'0011<br>B'0101 to<br>B'0111 | B'xx00 | Other<br>than B'xx00                  | Other than B'xx00      |       |
| CCLR2 to<br>CCLR0      | —                          | —  | —      | —                                     | Other<br>than<br>B'001 | B'001 |
| Output function        | —                          | Output<br>compare<br>output                | —      | PWM* <sup>3</sup><br>mode 1<br>output | PWM mode<br>2 output   | —     |

Legend:

×: Don't care

Notes: 1. TIOCA3 input when MD3 to MD0 = B'0000 and IOA3 to IOA0 = B'10xx.

2.  $\overline{\text{IRQ8}}$  input when ITS8 = 1.

3. TIOCB3 output disabled.

## 10.3 Port 3

Port 3 is a 6-bit I/O port that also has other functions. The port 3 has the following registers.

- Port 3 data direction register (P3DDR)
- Port 3 data register (P3DR)
- Port 3 register (PORT3)
- Port 3 open drain control register (P3ODR)
- Port function control register 2(PFCR2)

### 10.3.1 Port 3 Data Direction Register (P3DDR)

The individual bits of P3DDR specify input or output for the pins of port 3.

P3DDR cannot be read; if it is, an undefined value will be read.

| Bit  | Bit Name | Initial Value | R/W | Description   |
|------|----------|---------------|-----|---|
| 7, 6 | —        | All 0         | —   | Reserved<br>These bits are always read as 0 and cannot be modified.   |
| 5    | P35DDR   | 0             | W   | When a pin function is specified to a general purpose I/O, setting this bit to 1 makes the corresponding port 1 pin an output pin, while clearing this bit to 0 makes the pin an input pin. |
| 4    | P34DDR   | 0             | W   |   |
| 3    | P33DDR   | 0             | W   |   |
| 2    | P32DDR   | 0             | W   |   |
| 1    | P31DDR   | 0             | W   |   |
| 0    | P30DDR   | 0             | W   |   |

### 10.3.2 Port 3 Data Register (P3DR)

P3DR stores output data for the port 3 pins.

| Bit  | Bit Name | Initial Value | R/W | Description  |
|------|----------|---------------|-----|--|
| 7, 6 | —        | All 0         | —   | Reserved<br>These bits are always read as 0 and cannot be modified.                          |
| 5    | P35DR    | 0             | R/W | Output data for a pin is stored when the pin function is specified to a general purpose I/O. |
| 4    | P34DR    | 0             | R/W |  |
| 3    | P33DR    | 0             | R/W |  |
| 2    | P32DR    | 0             | R/W |  |
| 1    | P31DR    | 0             | R/W |  |
| 0    | P30DR    | 0             | R/W |  |

### 10.3.3 Port 3 Register (PORT3)

PORT3 shows the pin states.

PORT3 cannot be modified.

| Bit  | Bit Name | Initial Value | R/W | Description  |
|------|----------|---------------|-----|--|
| 7, 6 | —        | All 0         | —   | Reserved<br>These bits are always read as 0 and cannot be modified.  |
| 5    | P35      | —*            | R   | If a port 3 read is performed while P3DDR bits are set to 1, the P3DR values are read. If a port 1 read is performed while P3DDR bits are cleared to 0, the pin states are read. |
| 4    | P34      | —*            | R   |  |
| 3    | P33      | —*            | R   |  |
| 2    | P32      | —*            | R   |  |
| 1    | P31      | —*            | R   |  |
| 0    | P30      | —*            | R   |  |

Note: \* Determined by the states of pins P35 to P30.

### 10.3.4 Port 3 Open Drain Control Register (P3ODR)

P3ODR controls the output status for each port 3 pin.

| Bit  | Bit Name | Initial Value | R/W | Description   |
|------|----------|---------------|-----|---|
| 7, 6 | —        | All 0         | —   | Reserved<br>These bits are always read as 0 and cannot be modified.   |
| 5    | P35ODR   | 0             | R/W | Setting a P3ODR bit to 1 makes the corresponding port 3 pin an NMOS open-drain output pin, while clearing the bit to 0 makes the pin a CMOS output pin. |
| 4    | P34ODR   | 0             | R/W |   |
| 3    | P33ODR   | 0             | R/W |   |
| 2    | P32ODR   | 0             | R/W |   |
| 1    | P31ODR   | 0             | R/W |   |
| 0    | P30ODR   | 0             | R/W |   |

### 10.3.5 Port Function Control Register 2 (PFCR2)

P3ODR controls the I/O port.

| Bit          | Bit Name | Initial Value | R/W | Description  |
|--------------|----------|---------------|-----|--|
| 7<br>to<br>4 | —        | All 0         | —   | Reserved<br>These bits are always read as 0 and cannot be modified.  |
| 3            | ASOE     | 1             | R/W | $\overline{AS}$ Output Enable<br>Selects to enable or disable the AS output pin.<br>0: PF6 is designated as I/O port<br>1: PF6 is designated as $\overline{AS}$ output pin   |
| 2            | LWROE    | 1             | R/W | $\overline{LWR}$ Output Enable<br>Selects to enable or disable the $\overline{LWR}$ output pin.<br>0: PF3 is designated as I/O port<br>1: PF3 is designated as $\overline{LWR}$ output pin   |
| 1            | OES      | 1             | R/W | $\overline{OE}$ Output Select<br>Selects the $\overline{OE}/\text{CKE}$ output pin port when the OEE bit is set to 1 in DRAMCR (enabling $\overline{OE}/\text{CKE}$ output).<br>0: P35 is designated as $\overline{OE}/\text{CKE}$ output pin<br>1: PH3 is designated as $\overline{OE}/\text{CKE}$ output pin |
| 0            | —        | 0             | —   | Reserved<br>This bit is always read as 0. The write value should always be 0.  |

### 10.3.6 Pin Functions

Port 3 pins also function as the pins for SCI I/Os, I<sup>2</sup>C output, and a bus control signal output. The correspondence between the register specification and the pin functions is shown below.

- P35/SCK1/SCL0/(OE)/(CKE)\*<sup>3</sup>)

The pin function is switched as shown below according to the combination of the ICE bit in ICCRA of I<sup>2</sup>C\_0, C $\bar{A}$  bit in SMR of SCI\_1, bits CKE0 and CKE1 in SCR, bits OEE and RMTS2 to RMTS0 in DRAMCR, bit OES in PFCR2, and bit P35DDR.

Modes 1, 2, 4, 7 (EXPE = 1)

|              |           |               |                |                |            |            |           |               |                |                |            |                      |                        |            |
|--------------|-----------|---------------|----------------|----------------|------------|------------|-----------|---------------|----------------|----------------|------------|----------------------|------------------------|------------|
| OEE          | 0         |               |                |                |            |            | 1         |               |                |                |            |                      |                        |            |
| OES          | —         |               |                |                |            |            | 1         |               |                |                |            | 0                    |                        |            |
| SDRAM space  | —         |               |                |                |            |            | —         |               |                |                |            | Normal or DRAM space | continuous SDRAM space |            |
| ICE          | —         |               |                |                | 1          | 0          |           |               |                | 1              | —          | —                    |                        |            |
| CKE1         | 0         |               |                | 1              | —          | 0          |           |               | 1              | —              | —          | —                    |                        |            |
| C/A          | 0         |               | 1              | —              | —          | 0          |           | 1             | —              | —              | —          | —                    |                        |            |
| CKE0         | 0         | 1             | —              | —              | —          | 0          |           | 1             | —              | —              | —          | —                    |                        |            |
| P35DDR       | 0         | 1             | —              | —              | —          | 0          | 1         | —             | —              | —              | —          | —                    |                        |            |
| Pin function | P35 input | P35 output *1 | SCK1 output *1 | SCK1 output *1 | SCK1 input | SCL0 I/O*2 | P35 input | P35 output *1 | SCK1 output *1 | SCK1 output *1 | SCK1 input | SCL0 I/O*2           | $\bar{O}E$ output      | CKE output |

## Mode 7 (EXPE = 0)

|              |              |                 |                  |                  |               |               |
|--------------|--------------|-----------------|------------------|------------------|---------------|---------------|
| OEE          | —            |                 |                  |                  |               |               |
| OES          | —            |                 |                  |                  |               |               |
| SDRAM space  | —            |                 |                  |                  |               |               |
| ICE          | 0            |                 |                  |                  |               | 1             |
| CKE1         | 0            |                 |                  |                  | 1             | —             |
| C/A          | 0            |                 |                  | 1                | —             | —             |
| CKE0         | 0            |                 | 1                | —                | —             | —             |
| P35DDR       | 0            | 1               | —                | —                | —             | —             |
| Pin function | P35<br>input | P35<br>output*1 | SCK1<br>output*1 | SCK1<br>output*1 | SCK1<br>input | SCL0<br>I/O*2 |

- Notes: 1. NMOS open-drain output when P35ODR = 1.  
 2. NMOS open-drain output regardless of P35ODR.  
 3. Not used in the H8S/2378 0.18 $\mu$ m F-ZTAT Group, H8S/2377, H8S/2375, and H8S/2373.

- P34/SCK0/SCK4/SDA0

The pin function is switched as shown below according to the combination of bit ICE in ICCRA of I<sup>2</sup>C\_0, bit C/A in SMR, bits CKE0 and CKE1 in SCR, and bit P34DDR.

|              |              |                 |                         |                         |                    |               |
|--------------|--------------|-----------------|-------------------------|-------------------------|--------------------|---------------|
| ICE          | 0            |                 |                         |                         |                    | 1             |
| CKE1         | 0            |                 |                         |                         | 1                  | —             |
| C/A          | 0            |                 |                         | 1                       | —                  | —             |
| CKE0         | 0            |                 | 1                       | —                       | —                  | —             |
| P34DDR       | 0            | 1               | —                       | —                       | —                  | —             |
| Pin function | P34<br>input | P34<br>output*1 | SCK0/SCK4<br>output*1*3 | SCK0/SCK4<br>output*1*3 | SCK0/SCK4<br>input | SDA0<br>I/O*2 |

- Notes: 1. NMOS open-drain output when P34ODR = 1.  
 2. NMOS open-drain output regardless of P34ODR.  
 3. Simultaneous output of SCK0 and SCK4 cannot be set.

- P33/RxD1/SCL1

The pin function is switched as shown below according to the combination of bit ICE in ICCRA of I<sup>2</sup>C\_0, bit RE in SCR of SCI\_1 and bit P33DDR.

| ICE          | 0         |                          | 1                      |
|--------------|-----------|--------------------------|------------------------|
| RE           | 0         |                          | 1                      |
| P33DDR       | 0         | 1                        | —                      |
| Pin function | P33 input | P33 output <sup>*1</sup> | RxD1 input             |
|              |           |                          | SCL1 I/O <sup>*2</sup> |

Notes: 1. NMOS open-drain output when P33ODR = 1.  
2. NMOS open-drain output regardless of P33ODR.

- P32/RxD0/IrRxD/SDA1

The pin function is switched as shown below according to the combination of bit ICE in ICCRA of I<sup>2</sup>C\_0, bit RE in SCR of SCI\_0 and bit P32DDR.

| ICE          | 0         |                          | 1                      |
|--------------|-----------|--------------------------|------------------------|
| RE           | 0         |                          | 1                      |
| P32DDR       | 0         | 1                        | —                      |
| Pin function | P32 input | P32 output <sup>*1</sup> | RxD0/IrRxD input       |
|              |           |                          | SDA1 I/O <sup>*2</sup> |

Notes: 1. NMOS open-drain output when P32ODR = 1.  
2. NMOS open-drain output regardless of P32ODR.

- P31/TxD1

The pin function is switched as shown below according to the combination of bit TE in SCR of SCI\_1 and bit P31DDR.

| TE           | 0         |                         | 1                        |
|--------------|-----------|-------------------------|--------------------------|
| P31DDR       | 0         | 1                       | —                        |
| Pin function | P31 input | P31 output <sup>*</sup> | TxD1 output <sup>*</sup> |

Note: \* NMOS open-drain output when P31ODR = 1.



- P30/TxD0/IrTxD

The pin function is switched as shown below according to the combination of bit TE in SCR of SCI\_0 and bit P30DDR.

| TE           | 0         |             | 1                  |
|--------------|-----------|-------------|--------------------|
| P30DDR       | 0         | 1           | —                  |
| Pin function | P30 input | P30 output* | RxD0/IrRxD output* |

Note: \* NMOS open-drain output when P30ODR = 1.

## 10.4 Port 4

Port 4 is an 8-bit input-only port. Port 4 has the following register.

- Port 4 register (PORT4)

### 10.4.1 Port 4 Register (PORT4)

PORT4 is an 8-bit read-only register that shows port 4 pin states.

PORT4 cannot be modified.

| Bit | Bit Name | Initial Value | R/W | Description  |
|-----|----------|---------------|-----|--|
| 7   | P47      | —*            | R   | The pin states are always read from this register. |
| 6   | P46      | —*            | R   |  |
| 5   | P45      | —*            | R   |  |
| 4   | P44      | —*            | R   |  |
| 3   | P43      | —*            | R   |  |
| 2   | P42      | —*            | R   |  |
| 1   | P41      | —*            | R   |  |
| 0   | P40      | —*            | R   |  |

Note: \* Determined by the states of pins P47 to P40.

### 10.4.2 Pin Functions

Port 4 also functions as the pins for A/D converter analog input and D/A converter analog output. The correspondence between pins are as follows.

- P47/AN7/DA1\*

|              |            |
|--------------|------------|
| Pin function | AN7 input  |
|              | DA1 output |

Note: \* Not available for the H8S/2375, H8S/2375R, H8S/2373, and H8S/2373R.

- P46/AN6/DA0\*

|              |            |
|--------------|------------|
| Pin function | AN6 input  |
|              | DA0 output |

Note: \* Not available for the H8S/2375, H8S/2375R, H8S/2373, and H8S/2373R.

- P45/AN5

|              |           |
|--------------|-----------|
| Pin function | AN5 input |
|--------------|-----------|

- P44/AN4

|              |           |
|--------------|-----------|
| Pin function | AN4 input |
|--------------|-----------|

- P43/AN3

|              |           |
|--------------|-----------|
| Pin function | AN3 input |
|--------------|-----------|

- P42/AN2

|              |           |
|--------------|-----------|
| Pin function | AN2 input |
|--------------|-----------|

- P41/AN1

|              |           |
|--------------|-----------|
| Pin function | AN1 input |
|--------------|-----------|

- P40/AN0

|              |           |
|--------------|-----------|
| Pin function | AN0 input |
|--------------|-----------|

## 10.5 Port 5

Port 5 is a 4-bit I/O port. The port 5 has the following registers.

- Port 5 data direction register (P5DDR)
- Port 5 data register (P5DR)
- Port 5 register (PORT5)

### 10.5.1 Port 5 Data Direction Register (P5DDR)

The individual bits of P5DDR specify input or output for the pins of port 5.

P5DDR cannot be read; if it is, an undefined value will be read.

| Bit          | Bit Name | Initial Value | R/W | Description   |
|--------------|----------|---------------|-----|---|
| 7<br>to<br>4 | —        | All 0         | —   | Reserved<br>These bits are always read as 0 and cannot be modified.   |
| 3            | P53DDR   | 0             | W   | When a pin function is specified to a general purpose I/O, setting this bit to 1 makes the corresponding port 1 pin an output pin, while clearing this bit to 0 makes the pin an input pin. |
| 2            | P52DDR   | 0             | W   |   |
| 1            | P51DDR   | 0             | W   |   |
| 0            | P50DDR   | 0             | W   |   |

### 10.5.2 Port 5 Data Register (P5DR)

P5DR stores output data for the port 5 pins.

| Bit          | Bit Name | Initial Value | R/W | Description  |
|--------------|----------|---------------|-----|--|
| 7<br>to<br>4 | —        | All 0         | —   | Reserved<br>These bits are always read as 0 and cannot be modified.                          |
| 3            | P53DR    | 0             | R/W | Output data for a pin is stored when the pin function is specified to a general purpose I/O. |
| 2            | P52DR    | 0             | R/W |  |
| 1            | P51DR    | 0             | R/W |  |
| 0            | P50DR    | 0             | R/W |  |

### 10.5.3 Port 5 Register (PORT5)

PORT5 shows the pin states. PORT5 cannot be modified.

| Bit   | Bit Name | Initial Value | R/W | Description  |
|-------|----------|---------------|-----|--|
| 7to 4 | —        | Undefined     | R   | Reserved<br>Undefined values are read from these bits.   |
| 3     | P53      | —*            | R   | If bits P53 to P50 are read while P5DDR bits are set to 1, the P5DR values are read. If a port 5 read is performed while P5DDR bits are cleared to 0, the pin states are read. |
| 2     | P52      | —*            | R   |  |
| 1     | P51      | —*            | R   |  |
| 0     | P50      | —*            | R   |  |

Note: \* Determined by the states of pins P53 to P50.

### 10.5.4 Pin Functions

Port 5 pins also function as the pins for SCI I/Os, A/D converter inputs, and interrupt inputs. The correspondence between the register specification and the pin functions is shown below.

- $\overline{P53/ADTRG/IRQ3}$

The pin function is switched as shown below according to the combination of bits TRGS1 and TRGS0 in the A/D control register (ADCR), bit ITS3 in ITSr, and bit P53DDR.

| P53DDR       | 0   | 1          |
|--------------|---|------------|
| Pin function | P53 input                                       | P53 output |
|              | $\overline{ADTRG}$ input <sup>*1</sup>          |            |
|              | $\overline{IRQ3}$ interrupt input <sup>*2</sup> |            |

Notes: 1.  $\overline{ADTRG}$  input when TRGS1 = TRGS0 = 1.

2.  $\overline{IRQ3}$  input when ITS3 = 0.

- P52/SCK2/ $\overline{\text{IRQ2}}$

The pin function is switched as shown below according to the combination of bit C/A in SMR of SCI\_2, bits CKE0 and CKE1 in SCR, bit ITS2 in ITSr, and bit P52DDR.

|              |   |            |             |             |            |
|--------------|---|------------|-------------|-------------|------------|
| CKE1         | 0   |            |             |             | 1          |
| C/A          | 0   |            |             | 1           | —          |
| CKE0         | 0   |            | 1           | —           | —          |
| P52DDR       | 0   | 1          | —           | —           | —          |
| Pin function | P52 input                                 | P52 output | SCK2 output | SCK2 output | SCK2 input |
|              | $\overline{\text{IRQ2}}$ interrupt input* |            |             |             |            |

Note: \*  $\overline{\text{IRQ2}}$  input when ITS2 = 0.

- P51/RxD2/ $\overline{\text{IRQ1}}$

The pin function is switched as shown below according to the combination of bit RE in SCR of SCI\_2, bit ITS1 in ITSr, and bit P51DDR.

|              |   |            |            |
|--------------|---|------------|------------|
| RE           | 0   |            | 1          |
| P51DDR       | 0   | 1          | —          |
| Pin function | P51 input                                 | P51 output | RxD2 input |
|              | $\overline{\text{IRQ1}}$ interrupt input* |            |            |

Note: \*  $\overline{\text{IRQ1}}$  input when ITS1 = 0.

- P50/TxD2/ $\overline{\text{IRQ0}}$

The pin function is switched as shown below according to the combination of bit TE in SCR of SCI\_2, bit ITS0 in ITSr, and bit P50DDR.

|              |   |            |            |
|--------------|---|------------|------------|
| TE           | 0   |            | 1          |
| P50DDR       | 0   | 1          | —          |
| Pin function | P50 input                                 | P50 output | TxD2 input |
|              | $\overline{\text{IRQ0}}$ interrupt input* |            |            |

Note: \*  $\overline{\text{IRQ0}}$  input when ITS0 = 0.

## 10.6 Port 6

Port 6 is a 6-bit I/O port that also has other functions. The port 6 has the following registers.

- Port 6 data direction register (P6DDR)
- Port 6 data register (P6DR)
- Port 6 register (PORT6)

### 10.6.1 Port 6 Data Direction Register (P6DDR)

The individual bits of P6DDR specify input or output for the pins of port 6.

P6DDR cannot be read; if it is, an undefined value will be read.

| Bit  | Bit Name | Initial Value | R/W | Description   |
|------|----------|---------------|-----|---|
| 7, 6 | —        | All 0         | —   | Reserved  |
| 5    | P65DDR   | 0             | W   | When a pin function is specified to a general purpose I/O, setting this bit to 1 makes the corresponding port 1 pin an output pin, while clearing this bit to 0 makes the pin an input pin. |
| 4    | P64DDR   | 0             | W   |   |
| 3    | P63DDR   | 0             | W   |   |
| 2    | P62DDR   | 0             | W   |   |
| 1    | P61DDR   | 0             | W   |   |
| 0    | P60DDR   | 0             | W   |   |

### 10.6.2 Port 6 Data Register (P6DR)

P6DR stores output data for the port 6 pins.

| Bit  | Bit Name | Initial Value | R/W | Description   |
|------|----------|---------------|-----|---|
| 7, 6 | —        | All 0         | —   | Reserved<br>These bits are always read as 0 and cannot be modified.                             |
| 5    | P65DR    | 0             | R/W | An output data for a pin is stored when the pin function is specified to a general purpose I/O. |
| 4    | P64DR    | 0             | R/W |   |
| 3    | P63DR    | 0             | R/W |   |
| 2    | P62DR    | 0             | R/W |   |
| 1    | P61DR    | 0             | R/W |   |
| 0    | P60DR    | 0             | R/W |   |

### 10.6.3 Port 6 Register (PORT6)

PORT6 shows the pin states.

PORT6 cannot be modified.

| Bit  | Bit Name | Initial Value | R/W | Description  |
|------|----------|---------------|-----|--|
| 7, 6 | —        | Undefined     | —   | Reserved<br>These bits are reserved, if read they will return an undefined value.  |
| 5    | P65      | —*            | R   | If a port 6 read is performed while P6DDR bits are set to 1, the P6DR values are read. If a port 6 read is performed while P6DDR bits are cleared to 0, the pin states are read. |
| 4    | P64      | —*            | R   |  |
| 3    | P63      | —*            | R   |  |
| 2    | P62      | —*            | R   |  |
| 1    | P61      | —*            | R   |  |
| 0    | P60      | —*            | R   |  |

Note: \* Determined by the states of pins P65 to P60.

### 10.6.4 Pin Functions

Port 6 pins also function as 8-bit timer I/Os, interrupt inputs, and DMAC I/Os. The correspondence between the register specification and the pin functions is shown below.

- P65/TMO1/ $\overline{\text{DACK1}}$ / $\overline{\text{IRQ13}}$

The pin function is switched as shown below according to the combination of bit SAE1 in DMABCRH of the DMAC, bits OS3 to OS0 in TCSR\_1 of the 8-bit timer, bit P65DDR, and bit ITS13 in ITSR.

| SAE1         | 0  |            |             | 1                                |
|--------------|--|------------|-------------|----------------------------------|
| OS3 to OS0   | All 0                                      |            | Not all 0   | —                                |
| P65DDR       | 0  | 1          | —           | —                                |
| Pin function | P65 input                                  | P65 output | TMO1 output | $\overline{\text{DACK1}}$ output |
|              | $\overline{\text{IRQ13}}$ interrupt input* |            |             |                                  |

Note: \*  $\overline{\text{IRQ13}}$  interrupt input when ITS13 = 0.

- P64/TMO0/ $\overline{\text{DACK0}}$ / $\overline{\text{IRQ12}}$

The pin function is switched as shown below according to the combination of bit SAE0 in DMABCRH of the DMAC, bits OS3 to OS0 in TCSR\_0 of the 8-bit timer, bit P64DDR, and bit ITS12 in ITSR.

| SAE1         | 0  |            |             | 1                                |
|--------------|--|------------|-------------|----------------------------------|
| OS3 to OS0   | All 0                                      |            | Not all 0   | —                                |
| P64DDR       | 0  | 1          | —           | —                                |
| Pin function | P64 input                                  | P64 output | TMO0 output | $\overline{\text{DACK0}}$ output |
|              | $\overline{\text{IRQ12}}$ interrupt input* |            |             |                                  |

Note: \*  $\overline{\text{IRQ12}}$  interrupt input when ITS12 = 0.



- P63/TMCI1/ $\overline{\text{TEND1}}$ / $\overline{\text{IRQ11}}$

The pin function is switched as shown below according to the combination of bit TEE1 in DMATCR of the DMAC, bit P63DDR, and bit ITS11 in ITSr.

| TEE1         | 0   |            | 1                                |
|--------------|---|------------|----------------------------------|
| P63DDR       | 0   | 1          | —                                |
| Pin function | P63 input   | P63 output | $\overline{\text{TEND1}}$ output |
|              | $\overline{\text{IRQ11}}$ interrupt input* <sup>1</sup> |            |                                  |
|              | TMCI1 input* <sup>2</sup>                               |            |                                  |

- Notes: 1.  $\overline{\text{IRQ11}}$  interrupt input when ITS11 = 0.  
 2. When used as the external clock input pin for the TMR, its pin function should be specified to the external clock input by the CKS2 to CKS0 bits in TCR\_1.

- P62/TMCI0/ $\overline{\text{TEND0}}$ / $\overline{\text{IRQ10}}$

The pin function is switched as shown below according to the combination of bit TEE0 in DMATCR of the DMAC, bit P62DDR, and bit ITS10 in ITSr.

| TEE0         | 0   |            | 1                                |
|--------------|---|------------|----------------------------------|
| P62DDR       | 0   | 1          | —                                |
| Pin function | P62 input   | P62 output | $\overline{\text{TEND0}}$ output |
|              | $\overline{\text{IRQ10}}$ interrupt input* <sup>1</sup> |            |                                  |
|              | TMCI0 input* <sup>2</sup>                               |            |                                  |

- Notes: 1.  $\overline{\text{IRQ10}}$  interrupt input when ITS10 = 0.  
 2. When used as the external clock input pin for the TMR, its pin function should be specified to the external clock input by the CKS2 to CKS0 bits in TCR\_0.

- P61/TMRI1/ $\overline{\text{DREQ1}}$ / $\overline{\text{IRQ9}}$

The pin function is switched as shown below according to the combination of bit P61DDR and bit ITS9 in ITSR.

| P61DDR       | 0  | 1          |
|--------------|--|------------|
| Pin function | P61 input  | P61 output |
|              | $\overline{\text{TMRI1}}$ input* <sup>1</sup>          |            |
|              | $\overline{\text{DREQ1}}$ input                        |            |
|              | $\overline{\text{IRQ9}}$ interrupt input* <sup>2</sup> |            |

Notes: 1. When used as the counter reset input pin for the TMR, both the CCLR1 and CCLR0 bits in TCR\_1 should be set to 1.

2.  $\overline{\text{IRQ9}}$  interrupt input when ITS9 = 0.

- P60/TMRI0/ $\overline{\text{DREQ0}}$ / $\overline{\text{IRQ8}}$

The pin function is switched as shown below according to the combination of bit and bit ITS8 in ITSR.

| P60DDR       | 0  | 1          |
|--------------|--|------------|
| Pin function | P60 input  | P60 output |
|              | $\overline{\text{TMRI0}}$ input* <sup>1</sup>          |            |
|              | $\overline{\text{DREQ0}}$ input                        |            |
|              | $\overline{\text{IRQ8}}$ interrupt input* <sup>2</sup> |            |

Notes: 1. When used as the counter reset input pin for the TMR, both the CCLR1 and CCLR0 bits in TCR\_0 should be set to 1.

2.  $\overline{\text{IRQ8}}$  interrupt input when ITS8 = 0.

## 10.7 Port 8

Port 8 is a 6-bit I/O port that also has other functions. The port 8 has the following registers.

- Port 8 data direction register (P8DDR)
- Port 8 data register (P8DR)
- Port 8 register (PORT8)

### 10.7.1 Port 8 Data Direction Register (P8DDR)

The individual bits of P8DDR specify input or output for the pins of port 8.

P8DDR cannot be read; if it is, an undefined value will be read.

| Bit  | Bit Name | Initial Value | R/W | Description   |
|------|----------|---------------|-----|---|
| 7, 6 | —        | 0             | —   | Reserved<br>These bits are always read as 0 and cannot be modified.   |
| 5    | P85DDR   | 0             | W   | When a pin function is specified to a general purpose I/O, setting this bit to 1 makes the corresponding port 1 pin an output pin, while clearing this bit to 0 makes the pin an input pin. |
| 4    | P84DDR   | 0             | W   |   |
| 3    | P83DDR   | 0             | W   |   |
| 2    | P82DDR   | 0             | W   |   |
| 1    | P81DDR   | 0             | W   |   |
| 0    | P80DDR   | 0             | W   |   |

### 10.7.2 Port 8 Data Register (P8DR)

P8DR stores output data for the port 8 pins.

| Bit  | Bit Name | Initial Value | R/W | Description  |
|------|----------|---------------|-----|--|
| 7, 6 | —        | 0             | —   | Reserved<br>These bits are always read as 0 and cannot be modified.                          |
| 5    | P85DR    | 0             | R/W | Output data for a pin is stored when the pin function is specified to a general purpose I/O. |
| 4    | P84DR    | 0             | R/W |  |
| 3    | P83DR    | 0             | R/W |  |
| 2    | P82DR    | 0             | R/W |  |
| 1    | P81DR    | 0             | R/W |  |
| 0    | P80DR    | 0             | R/W |  |

### 10.7.3 Port 8 Register (PORT8)

PORT8 shows the pin states.

PORT8 cannot be modified.

| Bit  | Bit Name | Initial Value | R/W | Description  |
|------|----------|---------------|-----|--|
| 7, 6 | —        | Undefined     | —   | Reserved<br>These bits are reserved, if read they will return an undefined value.  |
| 5    | P85      | —*            | R   | If a port 8 read is performed while P8DDR bits are set to 1, the P8DR values are read. If a port 8 read is performed while P8DDR bits are cleared to 0, the pin states are read. |
| 4    | P84      | —*            | R   |  |
| 3    | P83      | —*            | R   |  |
| 2    | P82      | —*            | R   |  |
| 1    | P81      | —*            | R   |  |
| 0    | P80      | —*            | R   |  |

Note: \* Determined by the states of pins P85 to P80.

## 10.7.4 Pin Functions

Port 8 pins also function as SCI I/Os, interrupt inputs, and EXDMAC I/Os. The correspondence between the register specification and the pin functions is shown below.

- P85/ $\overline{\text{EDACK3}}^*/(\overline{\text{IRQ5}})/\text{SCK3}$

The pin function is switched as shown below according to the combination of bit AMS in EDMDR\_3 of the EXDMAC, bit  $\overline{\text{C/A}}$  in SMR in SCI\_3, bit P85DDR, and bit ITS5 in ITSr.

Note: \* Not supported by the H8S/2375, H8S/2375R, H8S/2373, and H8S/2373R.

Modes 1, 2, 4, 7 (EXPE = 1)

|                         |   |            |             |             |            |                                   |
|-------------------------|---|------------|-------------|-------------|------------|-----------------------------------|
| AMS                     | 0   |            |             |             |            | 1                                 |
| CKE1                    | 0   |            |             |             | 1          | —                                 |
| $\overline{\text{C/A}}$ | 0   |            |             | 1           | —          | —                                 |
| CKE0                    | 0   |            | 1           | —           | —          | —                                 |
| P85DDR                  | 0   | 1          | —           | —           | —          | —                                 |
| Pin function            | P85 input                                 | P85 output | SCK3 output | SCK3 output | SCK3 input | $\overline{\text{EDACK3}}$ output |
|                         | $\overline{\text{IRQ5}}$ interrupt input* |            |             |             |            |                                   |

Note: \*  $\overline{\text{IRQ5}}$  input when ITS5 = 1.

Mode 7 (EXPE = 0)

|                         |   |            |             |             |            |
|-------------------------|---|------------|-------------|-------------|------------|
| AMS                     | —   |            |             |             |            |
| CKE1                    | 0   |            |             |             | 1          |
| $\overline{\text{C/A}}$ | 0   |            |             | 1           | —          |
| CKE0                    | 0   |            | 1           | —           | —          |
| P85DDR                  | 0   | 1          | —           | —           | —          |
| Pin function            | P85 input                                 | P85 output | SCK3 output | SCK3 output | SCK3 input |
|                         | $\overline{\text{IRQ5}}$ interrupt input* |            |             |             |            |

Note: \*  $\overline{\text{IRQ5}}$  input when ITS5 = 1.

- P84/ $\overline{\text{EDACK2}}^*/(\overline{\text{IRQ4}})$

The pin function is switched as shown below according to the combination of bit AMS in EDMDR\_2 of the EXDMAC, bit P84DDR, and bit ITS4 in ITSr.

Note: \* Not supported by the H8S/2375, H8S/2375R, H8S/2373, and H8S/2373R.

Modes 1, 2, 4, 7 (EXPE = 1)

|              |   |                  |                                   |
|--------------|---|------------------|-----------------------------------|
| AMS          | 0   |                  | 1                                 |
| P84DDR       | 0   | 1                | —                                 |
| Pin function | P84 input                                 | P84 input/output | $\overline{\text{EDACK2}}$ output |
|              | $\overline{\text{IRQ4}}$ interrupt input* |                  |                                   |

Note: \*  $\overline{\text{IRQ4}}$  input when ITS4 = 1.

Mode 7 (EXPE = 0)

|              |   |            |
|--------------|---|------------|
| AMS          | —   |            |
| P84DDR       | 0   | 1          |
| Pin function | P84 input                                 | P84 output |
|              | $\overline{\text{IRQ4}}$ interrupt input* |            |

Note: \*  $\overline{\text{IRQ4}}$  input when ITS4 = 1.

- P83/ $\overline{\text{ETEND3}}^*/(\overline{\text{IRQ3}})/\text{RXD3}$

The pin function is switched as shown below according to the combination of bit ETENDE in EDMDR\_3 of the EXDMAC, bit RE in SCR of SCI\_3, bit P83DDR, and bit ITS3 in ITSr.

Note: \* Not supported by the H8S/2375, H8S/2375R, H8S/2373, and H8S/2373R.

Modes 1, 2, 4, 7 (EXPE = 1)

|              |   |            |             |                                   |
|--------------|---|------------|-------------|-----------------------------------|
| ETENDE       | 0   |            |             | 1                                 |
| RE           | 0   |            | 1           | —                                 |
| P83DDR       | 0   | 1          | —           | —                                 |
| Pin function | P83 input                                 | P83 output | RXD3 output | $\overline{\text{ETEND3}}$ output |
|              | $\overline{\text{IRQ3}}$ interrupt input* |            |             |                                   |

Note: \*  $\overline{\text{IRQ3}}$  input when ITS3 = 1.

## Mode 7 (EXPE = 0)

|              |   |            |            |
|--------------|---|------------|------------|
| ETENDE       | —   |            |            |
| RE           | 0   |            | 1          |
| P83DDR       | 0   | 1          | —          |
| Pin function | P83 input                                 | P83 output | RXD3 input |
|              | $\overline{\text{IRQ3}}$ interrupt input* |            |            |

Note: \*  $\overline{\text{IRQ3}}$  input when ITS3 = 1.

- P82/ $\overline{\text{ETEND2}}$ \*/( $\overline{\text{IRQ2}}$ )

The pin function is switched as shown below according to the combination of bit ETENDE in EDMDR\_2 of the EXDMAC, bit P82DDR, and bit ITS2 in ITSr.

Note: \* Not supported by the H8S/2375, H8S/2375R, H8S/2373, and H8S/2373R.

## Modes 1, 2, 4, 7 (EXPE = 1)

|              |   |            |                                   |
|--------------|---|------------|-----------------------------------|
| ETENDE       | 0   |            | 1                                 |
| P82DDR       | 0   | 1          | —                                 |
| Pin function | P82 input                                 | P82 output | $\overline{\text{ETEND2}}$ output |
|              | $\overline{\text{IRQ2}}$ interrupt input* |            |                                   |

Note: \*  $\overline{\text{IRQ2}}$  input when ITS2 = 1.

## Mode 7 (EXPE = 0)

|              |   |            |
|--------------|---|------------|
| ETENDE       | —   |            |
| P82DDR       | 0   | 1          |
| Pin function | P82 input                                 | P82 output |
|              | $\overline{\text{IRQ2}}$ interrupt input* |            |

Note: \*  $\overline{\text{IRQ2}}$  input when ITS2 = 1.

- P81/ $\overline{\text{EDREQ3}}$ \*/( $\overline{\text{IRQ1}}$ )/TxD3

The pin function is switched as shown below according to the combination of bit TE in SCR of SCI\_3, bit P81DDR and bit ITS1 in ITSR.

Note: \* Not supported by the H8S/2375, H8S/2375R, H8S/2373, and H8S/2373R.

| TE           | 0   |            | 1           |
|--------------|---|------------|-------------|
| P81DDR       | 0   | 1          | —           |
| Pin function | P81 input                                 | P81 output | TxD3 output |
|              | $\overline{\text{EDREQ3}}$ input          |            |             |
|              | $\overline{\text{IRQ1}}$ interrupt input* |            |             |

Note: \*  $\overline{\text{IRQ1}}$  input when ITS1 = 1.

- P80/ $\overline{\text{EDREQ2}}$ \*/( $\overline{\text{IRQ0}}$ )

The pin function is switched as shown below according to the combination of bit P80DDR and bit ITS0 in ITSR.

Note: \* Not supported by the H8S/2375, H8S/2375R, H8S/2373, and H8S/2373R.

| P80DDR       | 0   | 1          |
|--------------|---|------------|
| Pin function | P80 input                                 | P80 output |
|              | $\overline{\text{EDREQ2}}$ input          |            |
|              | $\overline{\text{IRQ0}}$ interrupt input* |            |

Note: \*  $\overline{\text{IRQ0}}$  input when ITS0 = 1.



## 10.8 Port 9

Port 9 is an 8-bit input-only port. Port 4 has the following register.

- Port 9 register (PORT4)

### 10.8.1 Port 9 Register (PORT9)

PORT9 is an 8-bit read-only register that shows port 4 pin states.

PORT9 cannot be modified.

| Bit | Bit Name | Initial Value | R/W | Description   |
|-----|----------|---------------|-----|---|
| 7   | P97      | —*            | R   | The pin states are always read when a port 9 read is performed. |
| 6   | P96      | —*            | R   |   |
| 5   | P95      | —*            | R   |   |
| 4   | P99      | —*            | R   |   |
| 3   | P93      | —*            | R   |   |
| 2   | P92      | —*            | R   |   |
| 1   | P91      | —*            | R   |   |
| 0   | P90      | —*            | R   |   |

Note: \* Determined by the states of pins P97 to P90.

### 10.8.2 Pin Functions

Port 9 also functions as the pins for A/D converter analog input and D/A converter analog output. The correspondence between pins are as follows.

- P97/AN15/DA5\*

|              |            |
|--------------|------------|
| Pin function | AN15 input |
|              | DA5 output |

Note: \* Not available for the H8S/2375, H8S/2375R, H8S/2373, and H8S/2373R.

- P96/AN14/DA4\*

|              |            |
|--------------|------------|
| Pin function | AN14 input |
|              | DA4 output |

Note: \* Not available for the H8S/2375, H8S/2375R, H8S/2373, and H8S/2373R.

- P95/AN13/DA3

|              |            |
|--------------|------------|
| Pin function | AN13 input |
|              | DA3 output |

- P94/AN12/DA2

|              |            |
|--------------|------------|
| Pin function | AN12 input |
|              | DA2 output |

- P93/AN11

|              |            |
|--------------|------------|
| Pin function | AN11 input |
|--------------|------------|

- P92/AN10

|              |            |
|--------------|------------|
| Pin function | AN10 input |
|--------------|------------|

- P91/AN9

|              |           |
|--------------|-----------|
| Pin function | AN9 input |
|--------------|-----------|

- P90/AN8

|              |           |
|--------------|-----------|
| Pin function | AN8 input |
|--------------|-----------|

## 10.9 Port A

Port A is an 8-bit I/O port that also has other functions. The port A has the following registers.

- Port A data direction register (PADDDR)
- Port A data register (PADR)
- Port A register (PORTA)
- Port A pull-up MOS control register (PAPCR)
- Port A open-drain control register (PAODR)
- Port function control register 1 (PFCR1)

### 10.9.1 Port A Data Direction Register (PADDDR)

The individual bits of PADDDR specify input or output for the pins of port A. PADDDR cannot be read; if it is, an undefined value will be read.

| Bit | Bit Name | Initial Value | R/W | Description  |
|-----|----------|---------------|-----|--|
| 7   | PA7DDR   | 0             | W   | <ul style="list-style-type: none"> <li>• Modes 1 and 2<br/>Pins PA4 to PA0 are address outputs regardless of the PADDDR settings.<br/>For pins PA7 to PA5, when the corresponding bit of A23E to A21E is set to 1, setting a PADDDR bit to 1 makes the corresponding port A pin an address output, while clearing the bit to 0 makes the pin an input port. Clearing one of bits A23E to A21E to 0 makes the corresponding port A pin an I/O port, and its function can be switched with PADDDR.</li> <li>• Modes 7 (when EXPE = 1) and 4<br/>When the corresponding bit of A23E to A16E is set to 1, setting a PADDDR bit to 1 makes the corresponding port A pin an address output, while clearing the bit to 0 makes the pin an input port. Clearing one of bits A23E to A16E to 0 makes the corresponding port A pin an I/O port, and its function can be switched with PADDDR.</li> <li>• Mode 7 (when EXPE = 0)<br/>Port A is an I/O port, and its pin functions can be switched with PADDDR.</li> </ul> |
| 6   | PA6DDR   | 0             | W   |  |
| 5   | PA5DDR   | 0             | W   |  |
| 4   | PA4DDR   | 0             | W   |  |
| 3   | PA3DDR   | 0             | W   |  |
| 2   | PA2DDR   | 0             | W   |  |
| 1   | PA1DDR   | 0             | W   |  |
| 0   | PA0DDR   | 0             | W   |  |

### 10.9.2 Port A Data Register (PADR)

PADR stores output data for the port A pins.

| Bit | Bit Name | Initial Value | R/W | Description  |
|-----|----------|---------------|-----|--|
| 7   | PA7DR    | 0             | R/W | Output data for a pin is stored when the pin function is specified to a general purpose I/O. |
| 6   | PA6DR    | 0             | R/W |  |
| 5   | PA5DR    | 0             | R/W |  |
| 4   | PA4DR    | 0             | R/W |  |
| 3   | PA3DR    | 0             | R/W |  |
| 2   | PA2DR    | 0             | R/W |  |
| 1   | PA1DR    | 0             | R/W |  |
| 0   | PA0DR    | 0             | R/W |  |

### 10.9.3 Port A Register (PORTA)

PORTA shows port A pin states.

PORTA cannot be modified.

| Bit | Bit Name | Initial Value | R/W | Description  |
|-----|----------|---------------|-----|--|
| 7   | PA7      | —*            | R   | If a port A read is performed while PADDR bits are set to 1, the PADR values are read. If a port A read is performed while PADDR bits are cleared to 0, the pin states are read. |
| 6   | PA6      | —*            | R   |  |
| 5   | PA5      | —*            | R   |  |
| 4   | PA4      | —*            | R   |  |
| 3   | PA3      | —*            | R   |  |
| 2   | PA2      | —*            | R   |  |
| 1   | PA1      | —*            | R   |  |
| 0   | PA0      | —*            | R   |  |

Note: \* Determined by the states of pins PA7 to PA0.

### 10.9.4 Port A Pull-Up MOS Control Register (PAPCR)

PAPCR controls the input pull-up MOS function. Bits 7 to 5 are valid in modes 1 and 2 and all the bits are valid in modes 4 and 7.

| Bit | Bit Name | Initial Value | R/W | Description  |
|-----|----------|---------------|-----|--|
| 7   | PA7PCR   | 0             | R/W | When PADDR = 0 (input port), setting the corresponding bit to 1 turns on the input pull-up MOS for that pin. |
| 6   | PA6PCR   | 0             | R/W |  |
| 5   | PA5PCR   | 0             | R/W |  |
| 4   | PA4PCR   | 0             | R/W |  |
| 3   | PA3PCR   | 0             | R/W |  |
| 2   | PA2PCR   | 0             | R/W |  |
| 1   | PA1PCR   | 0             | R/W |  |
| 0   | PA0PCR   | 0             | R/W |  |

### 10.9.5 Port A Open Drain Control Register (PAODR)

PAODR specifies an output type of port A.

| Bit | Bit Name | Initial Value | R/W | Description  |
|-----|----------|---------------|-----|--|
| 7   | PA7ODR   | 0             | R/W | When not specified for address output, setting the corresponding bit to 1 specifies a pin output type to NMOS open-drain output, while clearing this bit to 0 specifies that to CMOS output. |
| 6   | PA6ODR   | 0             | R/W |  |
| 5   | PA5ODR   | 0             | R/W |  |
| 4   | PA4ODR   | 0             | R/W |  |
| 3   | PA3ODR   | 0             | R/W |  |
| 2   | PA2ODR   | 0             | R/W |  |
| 1   | PA1ODR   | 0             | R/W |  |
| 0   | PA0ODR   | 0             | R/W |  |

### 10.9.6 Port Function Control Register 1 (PFCR1)

PFCR1 performs I/O port control. Bits 7 to 5 are valid in modes 1 and 2 and all the bits are valid in modes 4 and 7.

| Bit | Bit Name | Initial Value | R/W | Description   |
|-----|----------|---------------|-----|---|
| 7   | A23E     | 1             | R/W | Address 23 Enable<br>Enables or disables output for address output 23 (A23).<br>0: DR output when PA7DDR = 1<br>1: A23 output when PA7DDR = 1 |
| 6   | A22E     | 1             | R/W | Address 22 Enable<br>Enables or disables output for address output 22 (A22).<br>0: DR output when PA6DDR = 1<br>1: A22 output when PA6DDR = 1 |
| 5   | A21E     | 1             | R/W | Address 21 Enable<br>Enables or disables output for address output 21 (A21).<br>0: DR output when PA5DDR = 1<br>1: A21 output when PA5DDR = 1 |
| 4   | A20E     | 1             | R/W | Address 20 Enable<br>Enables or disables output for address output 20 (A20).<br>0: DR output when PA4DDR = 1<br>1: A20 output when PA4DDR = 1 |
| 3   | A19E     | 1             | R/W | Address 19 Enable<br>Enables or disables output for address output 19 (A19).<br>0: DR output when PA3DDR = 1<br>1: A19 output when PA3DDR = 1 |
| 2   | A18E     | 1             | R/W | Address 18 Enable<br>Enables or disables output for address output 18 (A18).<br>0: DR output when PA2DDR = 1<br>1: A18 output when PA2DDR = 1 |
| 1   | A17E     | 1             | R/W | Address 17 Enable<br>Enables or disables output for address output 17 (A17).<br>0: DR output when PA1DDR = 1<br>1: A17 output when PA1DDR = 1 |
| 0   | A16E     | 1             | R/W | Address 16 Enable<br>Enables or disables output for address output 16 (A16).<br>0: DR output when PA0DDR = 1<br>1: A16 output when PA0DDR = 1 |

## 10.9.7 Pin Functions

Port A pins also function as the pins for address outputs and interrupt inputs. The correspondence between the register specification and the pin functions is shown below.

- PA7/A23/ $\overline{\text{IRQ7}}$ , PA6/A22/ $\overline{\text{IRQ6}}$ , PA5/A21/ $\overline{\text{IRQ5}}$

The pin function is switched as shown below according to the operating mode, bit EXPE, bits A23E to A21E, bits ITS7 to ITS5 in ITSr, and bit PADDR.

|                |   |            |           |                |           |            |           |            |           |                |
|----------------|---|------------|-----------|----------------|-----------|------------|-----------|------------|-----------|----------------|
| Operating mode | 1, 2, 4                                   |            |           |                | 7         |            |           |            |           |                |
| EXPE           | —   |            |           |                | 0         |            | 1         |            |           |                |
| AxxE           | 0   |            | 1         |                | —         |            | 0         |            | 1         |                |
| PAnDDR         | 0   | 1          | 0         | 1              | 0         | 1          | 0         | 1          | 0         | 1              |
| Pin function   | PAn input                                 | PAn output | PAn input | Address output | PAn input | PAn output | PAn input | PAn output | PAn input | Address output |
|                | $\overline{\text{IRQn}}$ interrupt input* |            |           |                |           |            |           |            |           |                |

xx = 23 to 21, n = 7 to 5

Note: \*  $\overline{\text{IRQn}}$  input when ITS<sub>n</sub> = 0.

- PA4/A20/ $\overline{\text{IRQ4}}$

The pin function is switched as shown below according to the operating mode, bit EXPE, bit A20E and bit PA4DDR.

|                |   |           |            |           |                |           |            |           |            |           |                |
|----------------|---|-----------|------------|-----------|----------------|-----------|------------|-----------|------------|-----------|----------------|
| Operating mode | 1, 2                                      | 4         |            |           |                | 7         |            |           |            |           |                |
| EXPE           | —   | —         |            |           |                | 0         |            | 1         |            |           |                |
| A20E           | —   | 0         |            | 1         |                | —         |            | 0         |            | 1         |                |
| PA4DDR         | —   | 0         | 1          | 0         | 1              | 0         | 1          | 0         | 1          | 0         | 1              |
| Pin function   | Address output                            | PA4 input | PA4 output | PA4 input | Address output | PA4 input | PA4 output | PA4 input | PA4 output | PA4 input | Address output |
|                | $\overline{\text{IRQ4}}$ interrupt input* |           |            |           |                |           |            |           |            |           |                |

Note: \*  $\overline{\text{IRQ4}}$  input when ITS<sub>4</sub> = 0.

- PA3/A19, PA2/A18, PA1/A17, PA20/A16

The pin function is switched as shown below according to the operating mode, bit EXPE, bits A19E to A16E, and bit PADDR.

|                |                |           |            |           |                |           |            |           |            |           |                |
|----------------|----------------|-----------|------------|-----------|----------------|-----------|------------|-----------|------------|-----------|----------------|
| Operating mode | 1, 2           | 4         |            |           |                | 7         |            |           |            |           |                |
| EXPE           | —              | —         |            |           |                | 0         |            | 1         |            |           |                |
| AxxE           | —              | 0         |            | 1         |                | —         |            | 0         |            | 1         |                |
| PAnDDR         | —              | 0         | 1          | 0         | 1              | 0         | 1          | 0         | 1          | 0         | 1              |
| Pin function   | Address output | PAn input | PAn output | PAn input | Address output | PAn input | PAn output | PAn input | PAn output | PAn input | Address output |

xx = 19 to 16, n = 3 to 0

### 10.9.8 Port A Input Pull-Up MOS States

Port A has a built-in input pull-up MOS function that can be controlled by software. This input pull-up MOS function can be used by pins PA7 to PA5 in modes 1, 2, 5, and 6, and by all pins in modes 4, and 7. Input pull-up MOS can be specified as on or off on a bit-by-bit basis.

Table 10.2 summarizes the Input Pull-Up MOS states.

**Table 10.2 Input Pull-Up MOS States (Port A)**

| Mode | Reset      | Hardware Standby Mode | Software Standby Mode | In Other Operations |
|------|------------|-----------------------|-----------------------|---------------------|
| 4, 7 | PA7 to PA0 | Off                   | Off                   | On/Off              |
| 1, 2 | PA7 to PA5 |                       |                       | On/Off              |
|      | PA4 to PA0 |                       |                       | Off                 |

Legend:

Off: Input pull-up MOS is always off.

On/Off: On when PADDR = 0 and PAPCR = 1; otherwise off.



## 10.10 Port B

Port B is an 8-bit I/O port that also has other functions. The port B has the following registers.

- Port B data direction register (PBDDR)
- Port B data register (PBDR)
- Port B register (PORTB)
- Port B pull-up MOS control register (PBPCR)

### 10.10.1 Port B Data Direction Register (PBDDR)

The individual bits of PBDDR specify input or output for the pins of port B.

PBDDR cannot be read; if it is, an undefined value will be read.

| Bit | Bit Name | Initial Value | R/W | Description  |
|-----|----------|---------------|-----|--|
| 7   | PB7DDR   | 0             | W   | • Modes 1 and 2<br>Port B pins are address outputs regardless of the PBDDR settings.   |
| 6   | PB6DDR   | 0             | W   |  |
| 5   | PB5DDR   | 0             | W   | • Modes 7 (when EXPE = 1) and 4<br>Setting a PBDDR bit to 1 makes the corresponding port B pin an address output, while clearing the bit to 0 makes the pin an input port. |
| 4   | PB4DDR   | 0             | W   |  |
| 3   | PB3DDR   | 0             | W   |  |
| 2   | PB2DDR   | 0             | W   | • Modes 7 (when EXPE = 0)<br>Port B is an I/O port, and its pin functions can be switched with PBDDR.  |
| 1   | PB1DDR   | 0             | W   |  |
| 0   | PB0DDR   | 0             | W   |  |

### 10.10.2 Port B Data Register (PBDR)

PBDR is stores output data for the port B pins.

| Bit | Bit Name | Initial Value | R/W | Description   |
|-----|----------|---------------|-----|---|
| 7   | PB7DR    | 0             | R/W | An output data for a pin is stored when the pin function is specified to a general purpose I/O. |
| 6   | PB6DR    | 0             | R/W |   |
| 5   | PB5DR    | 0             | R/W |   |
| 4   | PB4DR    | 0             | R/W |   |
| 3   | PB3DR    | 0             | R/W |   |
| 2   | PB2DR    | 0             | R/W |   |
| 1   | PB1DR    | 0             | R/W |   |
| 0   | PB0DR    | 0             | R/W |   |

### 10.10.3 Port B Register (PORTB)

PORTB shows port B pin states. PORTB cannot be modified.

| Bit | Bit Name | Initial Value | R/W | Description  |
|-----|----------|---------------|-----|--|
| 7   | PB7      | —*            | R   | If this register is read is while PBDDR bits are set to 1, the PBDR values are read. If a port B read is performed while PBDDR bits are cleared to 0, the pin states are read. |
| 6   | PB6      | —*            | R   |  |
| 5   | PB5      | —*            | R   |  |
| 4   | PB4      | —*            | R   |  |
| 3   | PB3      | —*            | R   |  |
| 2   | PB2      | —*            | R   |  |
| 1   | PB1      | —*            | R   |  |
| 0   | PB0      | —*            | R   |  |

Note: \* Determined by the states of pins PB7 to PB0.

### 10.10.4 Port B Pull-Up MOS Control Register (PBPCR)

PBPCR controls the on/off state of input pull-up MOS of port B. PBPCR is valid in modes 4 and 7.

| Bit | Bit Name | Initial Value | R/W | Description  |
|-----|----------|---------------|-----|--|
| 7   | PB7PCR   | 0             | R/W | When PBDDR = 0 (input port), setting the corresponding bit to 1 turns on the input pull-up MOS for that pin. |
| 6   | PB6PCR   | 0             | R/W |  |
| 5   | PB5PCR   | 0             | R/W |  |
| 4   | PB4PCR   | 0             | R/W |  |
| 3   | PB3PCR   | 0             | R/W |  |
| 2   | PB2PCR   | 0             | R/W |  |
| 1   | PB1PCR   | 0             | R/W |  |
| 0   | PB0PCR   | 0             | R/W |  |

### 10.10.5 Pin Functions

Port B pins also function as the pins for address outputs. The correspondence between the register specification and the pin functions is shown below.

- PB7/A15, PB6/A14, PB5/A13, PB4/A12, PB3/A11, PB2/A10, PB1/A9, PB0/A8

The pin function is switched as shown below according to the operating mode, bit EXPE, and bit PBDDR.

|                |                |           |                |           |            |           |                |
|----------------|----------------|-----------|----------------|-----------|------------|-----------|----------------|
| Operating mode | 1, 2           | 4         |                | 7         |            |           |                |
| EXPE           | —              | —         |                | 0         |            | 1         |                |
| PBnDDR         | —              | 0         | 1              | 0         | 1          | 0         | 1              |
| Pin function   | Address output | PBn input | Address output | PBn input | PBn output | PBn input | Address output |

Legend: n = 7 to 0

### 10.10.6 Port B Input Pull-Up MOS States

Port B has a built-in input pull-up MOS function that can be controlled by software. This input pull-up MOS function can be used in modes 4 and 7. Input pull-up MOS can be specified as on or off on a bit-by-bit basis.

In modes 4 and 7, when a PBDDR bit is cleared to 0, setting the corresponding PBPCR bit to 1 turns on the input pull-up MOS for that pin.

Table 10.3 summarizes the input pull-up MOS states.

**Table 10.3 Input Pull-Up MOS States (Port B)**

| <b>Mode</b> | <b>Reset</b> | <b>Hardware Standby Mode</b> | <b>Software Standby Mode</b> | <b>In Other Operations</b> |
|-------------|--------------|------------------------------|------------------------------|----------------------------|
| 1, 2        | Off          | Off                          | Off                          | Off                        |
| 4, 7        |              |                              | On/Off                       | On/Off                     |

Legend:

Off: Input pull-up MOS is always off.

On/Off: On when PBDDR = 0 and PBPCR = 1; otherwise off.

## 10.11 Port C

Port C is an 8-bit I/O port that also has other functions. The port C has the following registers.

- Port C data direction register (PCDDR)
- Port C data register (PCDR)
- Port C register (PORTC)
- Port C pull-up MOS control register (PCPCR)

### 10.11.1 Port C Data Direction Register (PCDDR)

The individual bits of PCDDR specify input or output for the pins of port C.

PCDDR cannot be read; if it is, an undefined value will be read.

| Bit | Bit Name | Initial Value | R/W | Description  |
|-----|----------|---------------|-----|--|
| 7   | PC7DDR   | 0             | W   | • Modes 1 and 2<br>Port C pins are address outputs regardless of the PCDDR settings.   |
| 6   | PC6DDR   | 0             | W   |  |
| 5   | PC5DDR   | 0             | W   | • Modes 7 (when EXPE = 1) and 4<br>Setting a PCDDR bit to 1 makes the corresponding port C pin an address output, while clearing the bit to 0 makes the pin an input port. |
| 4   | PC4DDR   | 0             | W   |  |
| 3   | PC3DDR   | 0             | W   |  |
| 2   | PC2DDR   | 0             | W   | • Mode 7 (when EXPE = 0)<br>Port C is an I/O port, and its pin functions can be switched with PCDDR.   |
| 1   | PC1DDR   | 0             | W   |  |
| 0   | PC0DDR   | 0             | W   |  |

### 10.11.2 Port C Data Register (PCDR)

PCDR stores output data for the port C pins.

| Bit | Bit Name | Initial Value | R/W | Description  |
|-----|----------|---------------|-----|--|
| 7   | PC7DR    | 0             | R/W | Output data for a pin is stored when the pin function is specified to a general purpose I/O. |
| 6   | PC6DR    | 0             | R/W |  |
| 5   | PC5DR    | 0             | R/W |  |
| 4   | PC4DR    | 0             | R/W |  |
| 3   | PC3DR    | 0             | R/W |  |
| 2   | PC2DR    | 0             | R/W |  |
| 1   | PC1DR    | 0             | R/W |  |
| 0   | PC0DR    | 0             | R/W |  |

### 10.11.3 Port C Register (PORTC)

PORTC is shows port C pin states.

PORTC cannot be modified.

| Bit | Bit Name | Initial Value | R/W | Description  |
|-----|----------|---------------|-----|--|
| 7   | PC7      | —*            | R   | If a port C read is performed while PCDDR bits are set to 1, the PCDR values are read. If a port C read is performed while PCDDR bits are cleared to 0, the pin states are read. |
| 6   | PC6      | —*            | R   |  |
| 5   | PC5      | —*            | R   |  |
| 4   | PC4      | —*            | R   |  |
| 3   | PC3      | —*            | R   |  |
| 2   | PC2      | —*            | R   |  |
| 1   | PC1      | —*            | R   |  |
| 0   | PC0      | —*            | R   |  |

Note: \* Determined by the states of pins PC7 to PC0.

### 10.11.4 Port C Pull-Up MOS Control Register (PCPCR)

PCPCR controls the on/off state of input pull-up MOS of port C. PCPCR is valid in modes 4 and 7.

| Bit | Bit Name | Initial Value | R/W | Description  |
|-----|----------|---------------|-----|--|
| 7   | PC7PCR   | 0             | R/W | When PCDDR = 0 (input port), setting the corresponding bit to 1 turns on the input pull-up MOS for that pin. |
| 6   | PC6PCR   | 0             | R/W |  |
| 5   | PC5PCR   | 0             | R/W |  |
| 4   | PC4PCR   | 0             | R/W |  |
| 3   | PC3PCR   | 0             | R/W |  |
| 2   | PC2PCR   | 0             | R/W |  |
| 1   | PC1PCR   | 0             | R/W |  |
| 0   | PC0PCR   | 0             | R/W |  |

### 10.11.5 Pin Functions

Port C pins also function as the pins for address outputs. The correspondence between the register specification and the pin functions is shown below.

- PC7/A7, PC6/A6, PC5/A5, PC4/A4, PC3/A3, PC2/A2, PC1/A1, PC0/A0

The pin function is switched as shown below according to the operating mode, bit EXPE, and bit PCDDR.

|                |                |           |                |           |            |           |                |
|----------------|----------------|-----------|----------------|-----------|------------|-----------|----------------|
| Operating mode | 1, 2           | 4         |                | 7         |            |           |                |
| EXPE           | —              | —         |                | 0         |            | 1         |                |
| PCnDDR         | —              | 0         | 1              | 0         | 1          | 0         | 1              |
| Pin function   | Address output | PCn input | Address output | PCn input | PCn output | PCn input | Address output |

### 10.11.6 Port C Input Pull-Up MOS States

Port C has a built-in input pull-up MOS function that can be controlled by software. This input pull-up MOS function can be used in modes 4 and 7. Input pull-up MOS can be specified as on or off on a bit-by-bit basis.

In modes 4 and 7, when a PCDDR bit is cleared to 0, setting the corresponding PCPCR bit to 1 turns on the input pull-up MOS for that pin.

Table 10.4 summarizes the input pull-up MOS states.

**Table 10.4 Input Pull-Up MOS States (Port C)**

| Mode | Reset | Hardware Standby Mode | Software Standby Mode | In Other Operations |
|------|-------|-----------------------|-----------------------|---------------------|
| 1, 2 | Off   | Off                   | Off                   | Off                 |
| 4, 7 |       |                       | On/Off                | On/Off              |

Legend:

Off: Input pull-up MOS is always off.

On/Off: On when PCDDR = 0 and PCPCR = 1; otherwise off.



## 10.12 Port D

Port D is an 8-bit I/O port that also has other functions. The port D has the following registers.

- Port D data direction register (PDDDR)
- Port D data register (PDDR)
- Port D register (PORTD)
- Port D pull-up MOS control register (PDPCR)

### 10.12.1 Port D Data Direction Register (PDDDR)

The individual bits of PDDDR specify input or output for the pins of port D.

PDDDR cannot be read; if it is, an undefined value will be read.

| Bit | Bit Name | Initial Value | R/W | Description  |
|-----|----------|---------------|-----|--|
| 7   | PD7DDR   | 0             | W   | • Modes 7 (when EXPE = 1), 1, 2, and 4<br>Port D is automatically designated for data input/output.  |
| 6   | PD6DDR   | 0             | W   |  |
| 5   | PD5DDR   | 0             | W   | • Mode 7 (when EXPE = 0)<br>Port D is an I/O port, and its pin functions can be switched with PDDDR. |
| 4   | PD4DDR   | 0             | W   |  |
| 3   | PD3DDR   | 0             | W   |  |
| 2   | PD2DDR   | 0             | W   |  |
| 1   | PD1DDR   | 0             | W   |  |
| 0   | PD0DDR   | 0             | W   |  |

### 10.12.2 Port D Data Register (PDDR)

PDDR stores output data for the port D pins.

| Bit | Bit Name | Initial Value | R/W | Description  |
|-----|----------|---------------|-----|--|
| 7   | PD7DR    | 0             | R/W | Output data for a pin is stored when the pin function is specified to a general purpose I/O. |
| 6   | PD6DR    | 0             | R/W |  |
| 5   | PD5DR    | 0             | R/W |  |
| 4   | PD4DR    | 0             | R/W |  |
| 3   | PD3DR    | 0             | R/W |  |
| 2   | PD2DR    | 0             | R/W |  |
| 1   | PD1DR    | 0             | R/W |  |
| 0   | PD0DR    | 0             | R/W |  |

### 10.12.3 Port D Register (PORTD)

PORTD shows port D pin states.

PORTD cannot be modified.

| Bit | Bit Name | Initial Value | R/W | Description  |
|-----|----------|---------------|-----|--|
| 7   | PD7      | —*            | R   | If a port D read is performed while PDDDR bits are set to 1, the PDDR values are read. If a port D read is performed while PDDDR bits are cleared to 0, the pin states are read. |
| 6   | PD6      | —*            | R   |  |
| 5   | PD5      | —*            | R   |  |
| 4   | PD4      | —*            | R   |  |
| 3   | PD3      | —*            | R   |  |
| 2   | PD2      | —*            | R   |  |
| 1   | PD1      | —*            | R   |  |
| 0   | PD0      | —*            | R   |  |

Note: \* Determined by the states of pins PD7 to PD0.

### 10.12.4 Port D Pull-up Control Register (PDPCR)

PDPCR controls on/off states of the input pull-up MOS of port D. PDPCR is valid in mode 7.

| Bit | Bit Name | Initial Value | R/W | Description   |
|-----|----------|---------------|-----|---|
| 7   | PD7PCR   | 0             | R/W | When PDDDR = 0 (input port), the input pull-up MOS of the input pin is on when the corresponding bit is set to 1. |
| 6   | PD6PCR   | 0             | R/W |   |
| 5   | PD5PCR   | 0             | R/W |   |
| 4   | PD4PCR   | 0             | R/W |   |
| 3   | PD3PCR   | 0             | R/W |   |
| 2   | PD2PCR   | 0             | R/W |   |
| 1   | PD1PCR   | 0             | R/W |   |
| 0   | PD0PCR   | 0             | R/W |   |

### 10.12.5 Pin Functions

Port D pins also function as the pins for data I/Os. The correspondence between the register specification and the pin functions is shown below.

- PD7/D15, PD6/D14, PD5/D13, PD4/D12, PD3/D11, PD2/D10, PD1/D9, PD0/D8

The pin function is switched as shown below according to the operating mode, bit EXPE, and bit PDDDR.

|                |          |           |            |          |
|----------------|----------|-----------|------------|----------|
| Operating mode | 1, 2, 4  | 7         |            |          |
| EXPE           | —        | 0         |            | 1        |
| PDnDDR         | —        | 0         | 1          | —        |
| Pin function   | Data I/O | PDn input | PDn output | Data I/O |

Legend: n = 7 to 0

### 10.12.6 Port D Input Pull-Up MOS States

Port D has a built-in input pull-up MOS function that can be controlled by software. This input pull-up MOS function can be used in mode 7. Input pull-up MOS can be specified as on or off on a bit-by-bit basis.

In mode 7, when a PDDDR bit is cleared to 0, setting the corresponding PDPCR bit to 1 turns on the input pull-up MOS for that pin.

Table 10.5 summarizes the input pull-up MOS states.

**Table 10.5 Input Pull-Up MOS States (Port D)**

| Mode    | Reset | Hardware Standby Mode | Software Standby Mode | In Other Operations |
|---------|-------|-----------------------|-----------------------|---------------------|
| 1, 2, 4 | Off   | Off                   | Off                   | Off                 |
| 7       |       |                       | On/Off                | On/Off              |

Legend:

OFF: Input pull-up MOS is always off.

On/Off: On when PDDDR = 0 and PDPCR = 1; otherwise off.

## 10.13 Port E

Port E is an 8-bit I/O port that also has other functions. The port E has the following registers.

- Port E data direction register (PEDDDR)
- Port E data register (PEDR)
- Port E register (PORTE)
- Port E pull-up MOS control register (PEPCR)

### 10.13.1 Port E Data Direction Register (PEDDDR)

The individual bits of PEDDDR specify input or output for the pins of port E.

PEDDDR cannot be read; if it is, an undefined value will be read.

| Bit | Bit Name | Initial Value | R/W | Description  |
|-----|----------|---------------|-----|--|
| 7   | PE7DDR   | 0             | W   | <ul style="list-style-type: none"> <li>• Modes 1, 2, and 4</li> </ul> When 8-bit bus mode is selected, port E functions as an I/O port. The pin states can be changed with PEDDDR.   |
| 6   | PE6DDR   | 0             | W   |  |
| 5   | PE5DDR   | 0             | W   |  |
| 4   | PE4DDR   | 0             | W   |  |
| 3   | PE3DDR   | 0             | W   | When 16-bit bus mode is selected, port E is designated for data input/output.  |
| 2   | PE2DDR   | 0             | W   |  |
| 1   | PE1DDR   | 0             | W   | For details on 8-bit and 16-bit bus modes, see section 6, Bus Controller (BSC).  |
| 0   | PE0DDR   | 0             | W   |  |
|     |          |               |     | <ul style="list-style-type: none"> <li>• Mode 7 (when EXPE = 1)</li> </ul> When 8-bit bus mode is selected, port E functions as an I/O port. Setting a PEDDDR bit to 1 makes the corresponding port E pin an output port, while clearing the bit to 0 makes the pin an input port. |
|     |          |               |     | When 16-bit bus mode is selected, port E is designated for data input/output.  |
|     |          |               |     | <ul style="list-style-type: none"> <li>• Mode 7 (when EXPE = 0)</li> </ul> Port E is an I/O port, and its pin functions can be switched with PEDDDR.   |

### 10.13.2 Port E Data Register (PEDR)

PEDR stores output data for the port E pins.

| Bit | Bit Name | Initial Value | R/W | Description  |
|-----|----------|---------------|-----|--|
| 7   | PE7DR    | 0             | R/W | Output data for a pin is stored when the pin function is specified to a general purpose I/O. |
| 6   | PE6DR    | 0             | R/W |  |
| 5   | PE5DR    | 0             | R/W |  |
| 4   | PE4DR    | 0             | R/W |  |
| 3   | PE3DR    | 0             | R/W |  |
| 2   | PE2DR    | 0             | R/W |  |
| 1   | PE1DR    | 0             | R/W |  |
| 0   | PE0DR    | 0             | R/W |  |

### 10.13.3 Port E Register (PORTE)

PORTE shows port E pin states.

PORTE cannot be modified.

| Bit | Bit Name | Initial Value | R/W | Description  |
|-----|----------|---------------|-----|--|
| 7   | PE7      | —*            | R   | If a port E read is performed while PEDDR bits are set to 1, the PEDR values are read. If a port E read is performed while PEDDR bits are cleared to 0, the pin states are read. |
| 6   | PE6      | —*            | R   |  |
| 5   | PE5      | —*            | R   |  |
| 4   | PE4      | —*            | R   |  |
| 3   | PE3      | —*            | R   |  |
| 2   | PE2      | —*            | R   |  |
| 1   | PE1      | —*            | R   |  |
| 0   | PE0      | —*            | R   |  |

Note: \* Determined by the states of pins PE7 to PE0.

### 10.13.4 Port E Pull-up Control Register (PEPCR)

PEPCR controls on/off states of the input pull-up MOS of port E. PEPCR is valid in 8-bit bus mode.

| Bit | Bit Name | Initial Value | R/W | Description   |
|-----|----------|---------------|-----|---|
| 7   | PE7PCR   | 0             | R/W | When PEDDR = 0 (input port), the input pull-up MOS of the input pin is on when the corresponding bit is set to 1. |
| 6   | PE6PCR   | 0             | R/W |   |
| 5   | PE5PCR   | 0             | R/W |   |
| 4   | PE4PCR   | 0             | R/W |   |
| 3   | PE3PCR   | 0             | R/W |   |
| 2   | PE2PCR   | 0             | R/W |   |
| 1   | PE1PCR   | 0             | R/W |   |
| 0   | PE0PCR   | 0             | R/W |   |

### 10.13.5 Pin Functions

Port E pins also function as the pins for data I/Os. The correspondence between the register specification and the pin functions is shown below.

- PE7/D7, PE6/D6, PE5/D5, PE4/D4, PE3/D3, PE2/D2, PE1/D1, PE0/D0

The pin function is switched as shown below according to the operating mode, bus mode, bit EXPE, and bit PEDDR.

| Operating mode | 1, 2, 4               |            |                                | 7         |            |                       |            |                                |
|----------------|-----------------------|------------|--------------------------------|-----------|------------|-----------------------|------------|--------------------------------|
|                | All areas 8-bit space |            | At least one area 16-bit space | —         |            | All areas 8-bit space |            | At least one area 16-bit space |
| EXPE           | —                     |            | —                              | 0         |            | 1                     |            | 1                              |
| PEnDDR         | 0                     | 1          | —                              | 0         | 1          | 0                     | 1          | —                              |
| Pin function   | PEn input             | PEn output | Data I/O                       | PEn input | PEn output | PEn input             | PEn output | Data I/O                       |

Legend: n = 7 to 0

### 10.13.6 Port E Input Pull-Up MOS States

Port E has a built-in input pull-up MOS function that can be controlled by software. This input pull-up MOS function can be used in 8-bit bus mode. Input pull-up MOS can be specified as on or off on a bit-by-bit basis. In 8-bit bus mode, when a PEDDR bit is cleared to 0, setting the corresponding PEPCR bit to 1 turns on the input pull-up MOS for that pin.

Table 10.6 summarizes the input pull-up MOS states.

**Table 10.6 Input Pull-Up MOS States (Port E)**

| Mode    |            | Reset | Hardware Standby Mode | Software Standby Mode | In Other Operations |
|---------|------------|-------|-----------------------|-----------------------|---------------------|
| 1, 2, 4 | 8-bit bus  | Off   | Off                   | On/Off                | On/Off              |
|         | 16-bit bus |       |                       | Off                   | Off                 |

Legend:

Off: Input pull-up MOS is always off.

On/Off: On when PEDDR = 0 and PEPCR = 1; otherwise off.

### 10.14 Port F

Port F is an 8-bit I/O port that also has other functions. The port F has the following registers. For details on the port function control register 2, refer to section 10.3.5, Port Function Control Register 2 (PFCR2).

- Port F data direction register (PFDDR)
- Port F data register (PFDR)
- Port F register (PORTF)
- Port Function Control Register 2 (PFCR2)



### 10.14.1 Port F Data Direction Register (PFDDR)

The individual bits of PFDDR specify input or output for the pins of port F. PFDDR cannot be read; if it is, an undefined value will be read.

| Bit | Bit Name | Initial Value | R/W | Description   |
|-----|----------|---------------|-----|---|
| 7   | PF7DDR   | 1/0*          | W   | <ul style="list-style-type: none"> <li>Modes 7 (when EXPE = 1), 1, 2, and 4<br/>Pin PF7 functions as the <math>\phi</math> output pin when the corresponding PFDDR bit is set to 1, and as an input port when the bit is cleared to 0.</li> <li>Pin PF6 functions as the <math>\overline{AS}</math> output pin when ASOE is set to 1. When ASOE is cleared to 0, pin PF6 is an I/O port and its function can be switched with PF6DDR.</li> <li>Pins PF5 and PF4 are automatically designated as bus control outputs (<math>\overline{RD}</math> and <math>\overline{HWR}</math>).</li> <li>Pin PF3 functions as the <math>\overline{LWR}</math> output pin when LWROE is set to 1. When LWROE is cleared to 0, pin PF3 is an I/O port and its function can be switched with PF3DDR.</li> <li>Pins PF2 to PF0 function as bus control input/output pins (<math>\overline{LCAS}</math>, <math>\overline{UCAS}</math>, and <math>\overline{WAIT}</math>) when the appropriate bus controller settings are made. Otherwise, these pins are output ports when PFDDR is set to 1 and are input ports when PFDDR is cleared to 0.</li> </ul> |
| 6   | PF6DDR   | 0             | W   |   |
| 5   | PF5DDR   | 0             | W   |   |
| 4   | PF4DDR   | 0             | W   |   |
| 3   | PF3DDR   | 0             | W   |   |
| 2   | PF2DDR   | 0             | W   |   |
| 1   | PF1DDR   | 0             | W   |   |
| 0   | PF0DDR   | 0             | W   |   |

Note: \* PF7DDR is initialized to 1 in modes 1, 2, and 4, and to 0 in mode 7.

### 10.14.2 Port F Data Register (PFDR)

PFDR stores output data for the port F pins.

| Bit | Bit Name | Initial Value | R/W | Description  |
|-----|----------|---------------|-----|--|
| 7   | PF7DR    | 0             | R/W | Output data for a pin is stored when the pin function is specified to a general purpose I/O. |
| 6   | PF6DR    | 0             | R/W |  |
| 5   | PF5DR    | 0             | R/W |  |
| 4   | PF4DR    | 0             | R/W |  |
| 3   | PF3DR    | 0             | R/W |  |
| 2   | PF2DR    | 0             | R/W |  |
| 1   | PF1DR    | 0             | R/W |  |
| 0   | PF0DR    | 0             | R/W |  |

### 10.14.3 Port F Register (PORTF)

PORTF shows port F pin states.

PORTF cannot be modified.

| Bit | Bit Name | Initial Value | R/W | Description  |
|-----|----------|---------------|-----|--|
| 7   | PF7      | —*            | R   | If a port F read is performed while PFDDR bits are set to 1, the PFDR values are read. If a port F read is performed while PFDDR bits are cleared to 0, the pin states are read. |
| 6   | PF6      | —*            | R   |  |
| 5   | PF5      | —*            | R   |  |
| 4   | PF4      | —*            | R   |  |
| 3   | PF3      | —*            | R   |  |
| 2   | PF2      | —*            | R   |  |
| 1   | PF1      | —*            | R   |  |
| 0   | PF0      | —*            | R   |  |

Note: \* Determined by the states of pins PF7 to PF0.

### 10.14.4 Pin Functions

Port F pins also function as the pins for external interrupt inputs, bus control signal I/Os, and system clock outputs ( $\phi$ ). The correspondence between the register specification and the pin functions is shown below.

- PF7/ $\phi$

The pin function is switched as shown below according to bit PF7DDR.

|                |            |               |
|----------------|------------|---------------|
| Operating mode | 1, 2, 4, 7 |               |
| PF7DDR         | 0          | 1             |
| Pin function   | PF7 input  | $\phi$ output |

- PF6/ $\overline{AS}$

The pin function is switched as shown below according to the operating mode, bit EXPE, bit ASOE, and bit PF6DDR.

|                |                        |           |            |           |            |                        |           |            |
|----------------|------------------------|-----------|------------|-----------|------------|------------------------|-----------|------------|
| Operating mode | 1, 2, 4                |           |            | 7         |            |                        |           |            |
| EXPE           | —                      |           |            | 0         |            | 1                      |           |            |
| ASOE           | 1                      | 0         |            | —         |            | 1                      | 0         |            |
| PF6DDR         | —                      | 0         | 1          | 0         | 1          | —                      | 0         | 1          |
| Pin function   | $\overline{AS}$ output | PF6 input | PF6 output | PF6 input | PF6 output | $\overline{AS}$ output | PF6 input | PF6 output |

- PF5/ $\overline{RD}$

The pin function is switched as shown below according to the operating mode, bit EXPE, and bit PF5DDR.

|                |                        |           |            |                        |   |
|----------------|------------------------|-----------|------------|------------------------|---|
| Operating mode | 1, 2, 4                |           | 7          |                        |   |
| EXPE           | —                      |           | 0          |                        | 1 |
| PF5DDR         | —                      |           | 0          | 1                      | — |
| Pin function   | $\overline{RD}$ output | PF5 input | PF5 output | $\overline{RD}$ output |   |

- PF4/ $\overline{\text{HWR}}$

The pin function is switched as shown below according to the operating mode, bit EXPE, and bit PF4DDR.

|                |                                |           |            |                                |
|----------------|--------------------------------|-----------|------------|--------------------------------|
| Operating mode | 1, 2, 4                        | 7         |            |                                |
| EXPE           | —                              | 0         |            | 1                              |
| PF4DDR         | —                              | 0         | 1          | —                              |
| Pin function   | $\overline{\text{HWR}}$ output | PF4 input | PF4 output | $\overline{\text{HWR}}$ output |

- PF3/ $\overline{\text{LWR}}$

The pin function is switched as shown below according to the operating mode, bit EXPE, bit LWROE, and bit PF3DDR.

|                |                                |           |            |           |            |                                |           |            |
|----------------|--------------------------------|-----------|------------|-----------|------------|--------------------------------|-----------|------------|
| Operating mode | 1, 2, 4                        |           |            | 7         |            |                                |           |            |
| EXPE           | —                              |           |            | 0         |            | 1                              |           |            |
| LWROD          | 1                              | 0         |            | —         |            | 1                              | 0         |            |
| PF3DDR         | —                              | 0         | 1          | 0         | 1          | —                              | 0         | 1          |
| Pin function   | $\overline{\text{LWR}}$ output | PF3 input | PF3 output | PF3 input | PF3 output | $\overline{\text{LWR}}$ output | PF3 input | PF3 output |

- PF2/ $\overline{\text{LCAS}}$ / $\overline{\text{IRQ15}}$ / $\overline{\text{DQML}}$ \*2

The pin function is switched as shown below according to the combination of the operating mode, bit EXPE, bits RMTS2 to RMTS0 in DRAMCR, bits ABW5 to ABW2 in ABWCR, and bit PF2DDR.

| Operating mode | 1, 2, 4   |  |            | 3*2, 7    |            |   |   |  |  |
|----------------|---|--|------------|-----------|------------|---|---|--|--|
| EXPE           | —   |  |            | 0         |            | 1   |   |  |  |
| Areas 2 to 5   | Any DRAM / synchronous DRAM*2 space area is 16-bit bus space  | All DRAM/ synchronous DRAM*2 space areas are 8-bit bus space, or areas 2 to 5 are all normal space |            |           | —          |   | Any DRAM/ synchronous DRAM*2 space area is 16-bit bus space | All DRAM/ synchronous DRAM*2 space areas are 8-bit bus space, or areas 2 to 5 are all normal space |  |
| PF2DDR         | —   | 0  | 1          | 0         | 1          | —   | 0   | 1  |  |
| Pin function   | $\overline{\text{LCAS}}$ / $\overline{\text{DQML}}$ *2 output | PF2 input  | PF2 output | PF2 input | PF2 output | $\overline{\text{LCAS}}$ / $\overline{\text{DQML}}$ *2 output | PF2 input   | PF2 output   |  |
|                | $\overline{\text{IRQ15}}$ interrupt input*1                   |  |            |           |            |   |   |  |  |

Notes: 1.  $\overline{\text{IRQ15}}$  interrupt input when bit ITS15 is cleared to 0 in ITSr.

2. Not used in the H8S/2378 0.18 $\mu\text{m}$  F-ZTAT Group, H8S/2377, H8S/2375, and H8S/2373.

- PF1/ $\overline{\text{UCAS}}/\overline{\text{IRQ14}}/\overline{\text{DQMU}}^{*2}$

The pin function is switched as shown below according to the combination of the operating mode, bit EXPE, bits RMTS2 to RMTS0 in DRAMCR, and bit PF1DDR.

| Operating mode | 1, 2, 4  |                                   |            | 7         |            |  |                                   |            |
|----------------|--|-----------------------------------|------------|-----------|------------|--|-----------------------------------|------------|
| EXPE           | —  |                                   |            | 0         |            | 1  |                                   |            |
| Areas 2 to 5   | Any of areas 2 to 5 is DRAM/synchronous DRAM <sup>*2</sup> space | Areas 2 to 5 are all normal space |            | —         |            | Any of areas 2 to 5 is DRAM/synchronous DRAM <sup>*2</sup> space | Areas 2 to 5 are all normal space |            |
| PF1DDR         | —  | 0                                 | 1          | 0         | 1          | —  | 0                                 | 1          |
| Pin function   | $\overline{\text{UCAS}}/\overline{\text{(DQMU)}}^{*2}$ output    | PF1 input                         | PF1 output | PF1 input | PF1 output | $\overline{\text{UCAS}}/\overline{\text{(DQMU)}}^{*2}$ output    | PF1 input                         | PF1 output |
|                | $\overline{\text{IRQ14}}$ interrupt <sup>*1</sup>                |                                   |            |           |            |  |                                   |            |

Notes: 1.  $\overline{\text{IRQ14}}$  interrupt input when bit ITS14 in ITSr is cleared to 0.

2. Not used in the H8S/2378 0.18 $\mu\text{m}$  F-ZTAT Group, H8S/2377, H8S/2375, and H8S/2373.

- PF0/ $\overline{\text{WAIT}}$

The pin function is switched as shown below according to the operating mode, bit EXPE, bit WAITE in BCR, and bit PF0DDR.

| Operating mode | 1, 2, 4   |            |                                | 7         |            |           |            |                                |
|----------------|-----------|------------|--------------------------------|-----------|------------|-----------|------------|--------------------------------|
| EXPE           | —         |            |                                | 0         |            | 1         |            |                                |
| WAITE          | 0         |            | 1                              | —         |            | 0         |            | 1                              |
| PF0DDR         | 0         | 1          | —                              | 0         | 1          | 0         | 1          | —                              |
| Pin function   | PF0 input | PF0 output | $\overline{\text{WAIT}}$ input | PF0 input | PF0 output | PF0 input | PF0 output | $\overline{\text{WAIT}}$ input |

## 10.15 Port G

Port G is a 7-bit I/O port that also has other functions. The port G has the following registers.

- Port G data direction register (PGDDR)
- Port G data register (PGDR)
- Port G register (PORTG)
- Port Function Control Register 0 (PFCR0)

### 10.15.1 Port G Data Direction Register (PGDDR)

The individual bits of PGDDR specify input or output for the pins of port G.

PGDDR cannot be read; if it is, an undefined value will be read.

| Bit | Bit Name | Initial Value | R/W | Description  |
|-----|----------|---------------|-----|--|
| 7   | —        | 0             | —   | Reserved   |
| 6   | PG6DDR   | 0             | W   | <ul style="list-style-type: none"> <li>• Modes 7 (when EXPE = 1), 1, 2, and 4<br/>Pins PG6 to PG4 function as bus control input/output pins (<math>\overline{\text{BREQO}}</math>, <math>\overline{\text{BACK}}</math>, and <math>\overline{\text{BREQ}}</math>) when the appropriate bus controller settings are made. Otherwise, these pins are I/O ports, and their functions can be switched with PGDDR.</li> <li>• When the <math>\overline{\text{CS}}</math> output enable bits (CS3E to CS0E) are set to 1, pins PG3 to PG0 function as <math>\overline{\text{CS}}</math> output pins when the corresponding PGDDR bit is set to 1, and as input ports when the bit is cleared to 0. When CS3E to CS0E are cleared to 0, pins PG3 to PG0 are I/O ports, and their functions can be switched with PGDDR.</li> <li>• Mode 7 (when EXPE = 0)<br/>Pins PG6 to PG0 are I/O ports, and their functions can be switched with PGDDR.</li> </ul> |
| 5   | PG5DDR   | 0             | W   |  |
| 4   | PG4DDR   | 0             | W   |  |
| 3   | PG3DDR   | 0             | W   |  |
| 2   | PG2DDR   | 0             | W   |  |
| 1   | PG1DDR   | 0             | W   |  |
| 0   | PG0DDR   | 1/0*          | W   |  |

Note: \* PG0DDR is initialized to 1 in modes 1 and 2, and to 0 in modes 4 and 7.

### 10.15.2 Port G Data Register (PGDR)

PGDR stores output data for the port G pins.

| Bit | Bit Name | Initial Value | R/W | Description   |
|-----|----------|---------------|-----|---|
| 7   | —        | 0             | —   | Reserved<br>This bit is always read as 0, and cannot be modified.                               |
| 6   | PG6DR    | 0             | R/W | An output data for a pin is stored when the pin function is specified to a general purpose I/O. |
| 5   | PG5DR    | 0             | R/W |   |
| 4   | PG4DR    | 0             | R/W |   |
| 3   | PG3DR    | 0             | R/W |   |
| 2   | PG2DR    | 0             | R/W |   |
| 1   | PG1DR    | 0             | R/W |   |
| 0   | PG0DR    | 0             | R/W |   |

### 10.15.3 Port G Register (PORTG)

PORTG shows port G pin states.

PORTG cannot be modified.

| Bit | Bit Name | Initial Value | R/W | Description  |
|-----|----------|---------------|-----|--|
| 7   | —        | Undefined     | —   | Reserved<br>If this bit is read, it will return an undefined value.  |
| 6   | PG6      | —*            | R   | If a port G read is performed while PGDDR bits are set to 1, the PGDR values are read. If a port G read is performed while PGDDR bits are cleared to 0, the pin states are read. |
| 5   | PG5      | —*            | R   |  |
| 4   | PG4      | —*            | R   |  |
| 3   | PG3      | —*            | R   |  |
| 2   | PG2      | —*            | R   |  |
| 1   | PG1      | —*            | R   |  |
| 0   | PG0      | —*            | R   |  |

Note: \* Determined by the states of pins PG6 to PG0.



### 10.15.4 Port Function Control Register 0 (PFCR0)

PFCR0 performs I/O port control.

| Bit | Bit Name | Initial Value | R/W | Description  |
|-----|----------|---------------|-----|--|
| 7   | CS7E     | 1             | R/W | CS7 to CS0 Enable  |
| 6   | CS6E     | 1             | R/W | These bits enable or disable the corresponding $\overline{\text{CSn}}$ output. |
| 5   | CS5E     | 1             | R/W |  |
| 4   | CS4E     | 1             | R/W | 0: Pin is designated as I/O port   |
| 3   | CS3E     | 1             | R/W | 1: Pin is designated as $\overline{\text{CSn}}$ output pin                     |
| 2   | CS2E     | 1             | R/W | (n = 7 to 0)   |
| 1   | CS1E     | 1             | R/W |  |
| 0   | CS0E     | 1             | R/W |  |

### 10.15.5 Pin Functions

Port G pins also function as the pins for bus control signal I/Os. The correspondence between the register specification and the pin functions is shown below.

Note: Only modes 1 and 2 are supported on ROM-less versions.

- PG6/ $\overline{\text{BREQ}}$

The pin function is switched as shown below according to the operating mode, bit EXPE, bit BRLE, and bit PG6DDR.

| Operating mode | 1, 2, 4   |            |                                | 7         |            |           |            |                                |
|----------------|-----------|------------|--------------------------------|-----------|------------|-----------|------------|--------------------------------|
|                | —         |            |                                | 0         |            | 1         |            |                                |
| BRLE           | 0         |            | 1                              | —         |            | 0         |            | 1                              |
| PG6DDR         | 0         | 1          | —                              | 0         | 1          | 0         | 1          | —                              |
| Pin function   | PG6 input | PG6 output | $\overline{\text{BREQ}}$ input | PG6 input | PG6 output | PG6 input | PG6 output | $\overline{\text{BREQ}}$ input |

- PG5/ $\overline{\text{BACK}}$

The pin function is switched as shown below according to the operating mode, bit EXPE, bit BRLE, and bit PG5DDR.

|                |           |            |                                 |  |           |            |           |            |                                 |  |
|----------------|-----------|------------|---------------------------------|--|-----------|------------|-----------|------------|---------------------------------|--|
| Operating mode | 1, 2, 4   |            |                                 |  | 7         |            |           |            |                                 |  |
| EXPE           | —         |            |                                 |  | 0         |            | 1         |            |                                 |  |
| BRLE           | 0         |            | 1                               |  | —         |            | 0         |            | 1                               |  |
| PG5DDR         | 0         | 1          | —                               |  | 0         | 1          | 0         | 1          | —                               |  |
| Pin function   | PG5 input | PG5 output | $\overline{\text{BACK}}$ output |  | PG5 input | PG5 output | PG5 input | PG5 output | $\overline{\text{BACK}}$ output |  |

- PG4/ $\overline{\text{BREQO}}$

The pin function is switched as shown below according to the operating mode, bit EXPE, bit BRLE, bit BREQO, and bit PG4DDR.

|                |           |            |           |            |                                  |           |            |           |            |           |            |                                  |
|----------------|-----------|------------|-----------|------------|----------------------------------|-----------|------------|-----------|------------|-----------|------------|----------------------------------|
| Operating mode | 1, 2, 4   |            |           |            |                                  | 7         |            |           |            |           |            |                                  |
| EXPE           | —         |            |           |            |                                  | 0         |            | 1         |            |           |            |                                  |
| BRLE           | 0         |            | 1         |            |                                  | —         |            | 0         |            | 1         |            |                                  |
| BREQO          | —         |            | 0         |            | 1                                | —         |            | —         |            | 0         |            | 1                                |
| PG4DDR         | 0         | 1          | 0         | 1          | —                                | 0         | 1          | 0         | 1          | 0         | 1          | —                                |
| Pin function   | PG4 input | PG4 output | PG4 input | PG4 output | $\overline{\text{BREQO}}$ output | PG4 input | PG4 output | PG4 input | PG4 output | PG4 input | PG4 output | $\overline{\text{BREQO}}$ output |

- $\overline{\text{PG3}}/\overline{\text{CS3}}/\overline{\text{RAS3}}/\overline{\text{CAS}}^*$

The pin function is switched as shown below according to the operating mode, bit PG3DDR, bit CS3E, and bits RMTS2 to RMTS0.

| Operating mode | 1, 2, 4   |            |                           |                                |                                 |                                  | 7   |            |           |            |           |                                |                                 |                                  |                         |  |   |  |
|----------------|-----------|------------|---------------------------|--------------------------------|---------------------------------|----------------------------------|---|------------|-----------|------------|-----------|--------------------------------|---------------------------------|----------------------------------|-------------------------|--|---|--|
| EXPE           | —         |            |                           |                                |                                 |                                  | 0   |            | 1         |            |           |                                |                                 |                                  |                         |  |   |  |
| CS3E           | 0         |            | 1                         |                                |                                 |                                  | —   |            | 0         |            | 1         |                                |                                 |                                  |                         |  |   |  |
| RMTS2 to RMTS0 | —         |            | Area 3 is in normal space |                                | Area 3 is in DRAM space         |                                  | Areas 2 to 5 are in synchronous DRAM* space |            | —         |            | —         |                                | Area 3 is in normal space       |                                  | Area 3 is in DRAM space |  | Areas 2 to 5 are in synchronous DRAM* space |  |
| PG3DDR         | 0         | 1          | 0                         | 1                              | —                               |                                  | —   |            | 0         | 1          | 0         | 1                              | 0                               | 1                                | —                       |  | —   |  |
| Pin function   | PG3 input | PG3 output | PG3 input                 | $\overline{\text{CS3}}$ output | $\overline{\text{RAS3}}$ output | $\overline{\text{CAS}}^*$ output | PG3 input                                   | PG3 output | PG3 input | PG3 output | PG3 input | $\overline{\text{CS3}}$ output | $\overline{\text{RAS3}}$ output | $\overline{\text{CAS}}^*$ output |                         |  |   |  |

Note: \* Not used in the H8S/2378 0.18 $\mu\text{m}$  F-ZTAT Group, H8S/2377, H8S/2375, and H8S/2373.

- $\overline{\text{PG2}}/\overline{\text{CS2}}/\overline{\text{RAS2}}/\overline{\text{RAS}}$

The pin function is switched as shown below according to the operating mode, bit PG2DDR, bit CS2E, and bits RMTS2 to RMTS0.

| Operating mode | 1, 2, 4   |            |                           |                                |                                 |                                  | 7   |            |           |            |           |                                |                                 |                                  |                         |  |   |  |
|----------------|-----------|------------|---------------------------|--------------------------------|---------------------------------|----------------------------------|---|------------|-----------|------------|-----------|--------------------------------|---------------------------------|----------------------------------|-------------------------|--|---|--|
| EXPE           | —         |            |                           |                                |                                 |                                  | 0   |            | 1         |            |           |                                |                                 |                                  |                         |  |   |  |
| CS2E           | 0         |            | 1                         |                                |                                 |                                  | —   |            | 0         |            | 1         |                                |                                 |                                  |                         |  |   |  |
| RMTS2 to RMTS0 | —         |            | Area 2 is in normal space |                                | Area 2 is in DRAM space         |                                  | Areas 2 to 5 are in synchronous DRAM* space |            | —         |            | —         |                                | Area 2 is in normal space       |                                  | Area 2 is in DRAM space |  | Areas 2 to 5 are in synchronous DRAM* space |  |
| PG2DDR         | 0         | 1          | 0                         | 1                              | —                               |                                  | —   |            | 0         | 1          | 0         | 1                              | 0                               | 1                                | —                       |  | —   |  |
| Pin function   | PG2 input | PG2 output | PG2 input                 | $\overline{\text{CS2}}$ output | $\overline{\text{RAS2}}$ output | $\overline{\text{RAS}}^*$ output | PG2 input                                   | PG2 output | PG2 input | PG2 output | PG2 input | $\overline{\text{CS2}}$ output | $\overline{\text{RAS2}}$ output | $\overline{\text{RAS}}^*$ output |                         |  |   |  |

Note: \* Not used in the H8S/2378 0.18 $\mu\text{m}$  F-ZTAT Group, H8S/2377, H8S/2375, and H8S/2373.

- PG1/ $\overline{\text{CS1}}$ , PG0/ $\overline{\text{CS0}}$

The pin function is switched as shown below according to the operating mode, bit EXPE, bit CSnE, and bit PGNDDR.

|                |           |            |           |                                |           |            |           |            |           |                                |
|----------------|-----------|------------|-----------|--------------------------------|-----------|------------|-----------|------------|-----------|--------------------------------|
| Operating mode | 1, 2, 4   |            |           |                                | 7         |            |           |            |           |                                |
| EXPE           | —         |            |           |                                | 0         |            | 1         |            |           |                                |
| CSnE           | 0         |            | 1         |                                | —         |            | 0         |            | 1         |                                |
| PGnDDR         | 0         | 1          | 0         | 1                              | 0         | 1          | 0         | 1          | 0         | 1                              |
| Pin function   | PG2 input | PG2 output | PG2 input | $\overline{\text{CSn}}$ output | PG2 input | PG2 output | PG2 input | PG2 output | PG2 input | $\overline{\text{CSn}}$ output |

(n =1 or 0)

## 10.16 Port H

Port H is a 4-bit I/O port that also has other functions. The port H has the following registers. For details on the port function control register 0, refer to section 10.15.4, Port Function Control Register 0 (PFCR0), and for details on the port function control register 2, refer to section 10.3.5, Port Function Control Register 2 (PFCR2).

- Port H data direction register (PHDDR)
- Port H data register (PHDR)
- Port H register (PORTH)
- Port Function Control Register 0 (PFCR0)
- Port Function Control Register 2 (PFCR2)

### 10.16.1 Port H Data Direction Register (PHDDR)

The individual bits of PHDDR specify input or output for the pins of port H.

PHDDR cannot be read; if it is, an undefined value will be read.

| Bit    | Bit Name | Initial Value | R/W | Description  |
|--------|----------|---------------|-----|--|
| 7 to 4 | —        | All 0         | —   | Reserved   |
| 3      | PH3DDR   | 0             | W   | <ul style="list-style-type: none"> <li>Modes 1<sup>*3</sup>, 2<sup>*3</sup>, 4 and 7 (when EXPE = 1)</li> </ul>  |
| 2      | PH2DDR   | 0             | W   | When the $\overline{OE}$ output enable bit (OEE) and $\overline{OE}$ output select bit (OES) are set to 1, pin PH3 functions as the $\overline{OE}$ output pin. Otherwise, when bit CS7E is set to 1, pin PH3 functions as a $\overline{CS}$ output pin when the corresponding PH3DDR bit is set to 1, and as an input port when the bit is cleared to 0. When bit CS7E is cleared to 0, pin PH3 is an I/O port, and its function can be switched with PH3DDR. When areas 2 to 5 are specified as continuous synchronous DRAM space <sup>*1</sup> , $\overline{OE}$ output is CKE output.  |
| 1      | PH1DDR   | 0             | W   | When bit CS6E is set to 1, setting bit PH2DDR makes pin PH2 function as the CS6 output pin and as an I/O port when the bit is cleared to 0. When bit CS6E is cleared to 0, pin PH2 is an I/O port, and its function can be switched with PH2DDR.   |
| 0      | PH0DDR   | 0             | W   | <p>Pin PH1 functions as the SDRAM<math>\phi</math><sup>*1</sup> output pin when the input level of the DCTL pin<sup>*2</sup> is high. Pin PH1 functions as the <math>\overline{CS}</math>5 output pin when the input level of the DCTL pin<sup>*2</sup> is low, area 5 is specified as normal space, and bit PH1DDR is set to 1; if the bit is cleared to 0, pin PH1 functions as an I/O port. When bit CS5E is cleared to 0, pin PH1 is an I/O port, and its function can be switched with PH1DDR. When area 5 is specified as DRAM space and bit CS5E is set to 1, pin PH1 functions as the <math>\overline{RAS}</math>5 output pin and as an I/O port when the bit is cleared to 0.</p> <p>Pin PH0 functions as the <math>\overline{CS}</math>4 output pin when area 4 is specified as normal space and bit PH0DDR is set to 1; if the bit is cleared to 0, pin PH0 functions as an I/O port. When bit CS4E is cleared to 0, pin PH0 is an I/O port, and its function can be switched with PH0DDR. When area 4 is specified as DRAM space and bit CS5E is set to 1, pin PH0 functions as the <math>\overline{RAS}</math>4 output pin and as an I/O port when the bit is cleared to 0. When areas 2 to 5 are specified as continuous synchronous DRAM<sup>*2</sup>, pin PH0 functions as the <math>\overline{WE}</math> output pin and as an I/O port when the bit is cleared to 0.</p> <ul style="list-style-type: none"> <li>Mode 7 (when EXPE = 0)</li> </ul> <p>Pins PH3 to PH0 are I/O ports, and their functions can be switched with PHDDR.</p> <p>Pin PH1 functions as the SDRAM<math>\phi</math><sup>*1</sup> output pin when the input level of the DCTL pin<sup>*2</sup> is high. When the input level of the DCTL pin<sup>*2</sup> is low, pin PH1 is an I/O port and its function can be switched with PHDDR.</p> |

- Notes:
- Not used in the H8S/2378 0.18 $\mu$ m F-ZTAT Group, H8S/2377, H8S/2375, and H8S/2373.
  - When synchronous DRAM interface is not used, input a low-level signal on the DCTL pin.
  - Only modes 1 and 2 are supported on ROM-less versions.

### 10.16.2 Port H Data Register (PHDR)

PHDR stores output data for the port H pins.

| Bit          | Bit Name | Initial Value | R/W | Description  |
|--------------|----------|---------------|-----|--|
| 7<br>to<br>4 | —        | All 0         | —   | Reserved<br>These bits are reserved; they are always read as 0 and cannot be modified.       |
| 3            | PH3DR    | 0             | R/W | Output data for a pin is stored when the pin function is specified to a general purpose I/O. |
| 2            | PH2DR    | 0             | R/W |  |
| 1            | PH1DR    | 0             | R/W |  |
| 0            | PH0DR    | 0             | R/W |  |

### 10.16.3 Port H Register (PORTH)

PORTH shows port H pin states.

PORTH cannot be modified.

| Bit          | Bit Name | Initial Value | R/W | Description  |
|--------------|----------|---------------|-----|--|
| 7<br>to<br>4 | —        | Undefined     | —   | Reserved<br>If these bits are read, they will return an undefined value.   |
| 3            | PH3      | —*            | R   | If a port H read is performed while PHDDR bits are set to 1, the PHDR values are read. If a port H read is performed while PHDDR bits are cleared to 0, the pin states are read. |
| 2            | PH2      | —*            | R   |  |
| 1            | PH1      | —*            | R   |  |
| 0            | PH0      | —*            | R   |  |

Note: \* Determined by the states of pins PH3 to PH0.

## 10.16.4 Pin Functions

Port H pins also function as bus control signal I/Os and interrupt inputs. The correspondence between the register specification and the pin functions is shown below.

Note: Only modes 1 and 2 are supported on ROM-less versions.

- $\text{PH3}/\overline{\text{CS7}}/\overline{\text{OE}}/\text{CKE}^{*2}/(\overline{\text{IRQ7}})$

The pin function is switched as shown below according to the operating mode, bit EXPE, bit OEE, bit OES, bit CS7E, and bit PH3DDR.

|                |                                  |            |           |                                |           |            |                            |                                |                               |                          |           |            |           |            |           |                                |                            |            |                           |                                |                               |                          |   |   |   |  |
|----------------|----------------------------------|------------|-----------|--------------------------------|-----------|------------|----------------------------|--------------------------------|-------------------------------|--------------------------|-----------|------------|-----------|------------|-----------|--------------------------------|----------------------------|------------|---------------------------|--------------------------------|-------------------------------|--------------------------|---|---|---|--|
| Operating mode | 1, 2, 4                          |            |           |                                |           |            |                            |                                |                               |                          | 7         |            |           |            |           |                                |                            |            |                           |                                |                               |                          |   |   |   |  |
| EXPE           | —                                |            |           |                                |           |            |                            |                                |                               |                          | 0         |            | 1         |            |           |                                |                            |            |                           |                                |                               |                          |   |   |   |  |
| OEE            | 0                                |            | 1         |                                |           |            |                            |                                | —                             |                          | 0         |            |           |            | 1         |                                |                            |            |                           |                                |                               |                          |   |   |   |  |
| OES            | —                                |            | 0         |                                |           |            | 1                          |                                |                               |                          | —         |            | 0         |            |           |                                | 1                          |            |                           |                                |                               |                          |   |   |   |  |
| Area 2 to 5    | —                                |            | —         |                                |           |            | Normal space or DRAM space |                                | syn-chronous DRAM space*2     |                          | —         |            | —         |            |           |                                | Normal space or DRAM space |            | syn-chronous DRAM space*2 |                                |                               |                          |   |   |   |  |
| CS7E           | 0                                |            | 1         |                                | 0         |            | 1                          |                                | —                             |                          | —         |            | —         |            | 0         |                                | 1                          |            | 0                         |                                | 1                             |                          | — |   | — |  |
| PH3DDR         | 0                                | 1          | 0         | 1                              | 0         | 1          | 0                          | 1                              | —                             | —                        | 0         | 1          | 0         | 1          | 0         | 1                              | 0                          | 1          | 0                         | 1                              | 0                             | 1                        | — | — |   |  |
| Pin function   | PH3 input                        | PH3 output | PH3 input | $\overline{\text{CS7}}$ output | PH3 input | PH3 output | PH3 input                  | $\overline{\text{CS7}}$ output | $\overline{\text{OE}}$ output | $\text{CKE}^{*2}$ output | PH3 input | PH3 output | PH3 input | PH3 output | PH3 input | $\overline{\text{CS7}}$ output | PH3 input                  | PH3 output | PH3 input                 | $\overline{\text{CS7}}$ output | $\overline{\text{OE}}$ output | $\text{CKE}^{*2}$ output |   |   |   |  |
|                | $\overline{\text{IRQ7}}$ input*1 |            |           |                                |           |            |                            |                                |                               |                          |           |            |           |            |           |                                |                            |            |                           |                                |                               |                          |   |   |   |  |

Notes: 1.  $\overline{\text{IRQ7}}$  interrupt input pin when bit ITS7 is set to 1 in ITSr

2. Not used in the H8S/2378 0.18 $\mu\text{m}$  F-ZTAT Group, H8S/2377, H8S/2375, and H8S/2373.

- $\text{PH2}/\overline{\text{CS6}}/(\overline{\text{IRQ6}})$

The pin function is switched as shown below according to the operating mode, bit EXPE, bit CS6E, and bit PH2DDR.

|                |   |            |           |                                |           |            |           |            |           |                                |
|----------------|---|------------|-----------|--------------------------------|-----------|------------|-----------|------------|-----------|--------------------------------|
| Operating mode | 1, 2, 4                                   |            |           |                                |           | 7          |           |            |           |                                |
| EXPE           | —   |            |           |                                |           | 0          |           | 1          |           |                                |
| CS6E           | 0   |            | 1         |                                |           | —          |           | 0          |           | 1                              |
| PH2DDR         | 0   | 1          | 0         | 1                              | 0         | 1          | 0         | 1          | 0         | 1                              |
| Pin function   | PH2 input                                 | PH2 output | PH2 input | $\overline{\text{CS6}}$ output | PH2 input | PH2 output | PH2 input | PH2 output | PH2 input | $\overline{\text{CS6}}$ output |
|                | $\overline{\text{IRQ6}}$ interrupt input* |            |           |                                |           |            |           |            |           |                                |

Note: \*  $\overline{\text{IRQ6}}$  interrupt input pin when bit ITS6 is set to 1 in ITSr.

- PH1/ $\overline{\text{CS5}}$ / $\overline{\text{RAS5}}$ / $\overline{\text{SDRAM}}\phi^{*2}$

The pin function is switched as shown below according to the operating mode, DCTL pin, bit EXPE, bit CS5E, bits RMTS2 to RMTS0, and bit PH1DDR.

|                    |              |            |           |                                |           |            |                                 |              |            |           |            |           |            |                                |           |            |                                 |   |   |
|--------------------|--------------|------------|-----------|--------------------------------|-----------|------------|---------------------------------|--------------|------------|-----------|------------|-----------|------------|--------------------------------|-----------|------------|---------------------------------|---|---|
| DCTL <sup>*1</sup> | 0            |            |           |                                |           |            |                                 |              |            |           |            |           |            |                                |           | 1          |                                 |   |   |
| Operating mode     | 1, 2, 4      |            |           |                                |           |            | 7                               |              |            |           |            |           |            |                                |           | —          |                                 |   |   |
| EXPE               | —            |            |           |                                |           |            | 0                               | 1            |            |           |            |           |            |                                |           |            | —                               |   |   |
| Area 5             | Normal space |            |           | DRAM space                     |           |            | —                               | Normal space |            |           | DRAM space |           |            | —                              |           |            |                                 |   |   |
| DCTL               | 0            |            |           |                                |           |            |                                 |              |            |           |            |           |            |                                |           | 1          |                                 |   |   |
| CS5E               | 0            |            | 1         |                                | 0         |            | 1                               |              | —          |           | 0          |           | 1          |                                | 0         |            | 1                               |   | — |
| PH1DDR             | 0            | 1          | 0         | 1                              | 0         | 1          | —                               | 0            | 1          | 0         | 1          | 0         | 1          | 0                              | 1         | —          | —                               |   |   |
| Pin function       | PH1 input    | PH1 output | PH1 input | $\overline{\text{CS5}}$ output | PH1 input | PH1 output | $\overline{\text{RAS5}}$ output | PH1 input    | PH1 output | PH1 input | PH1 output | PH1 input | PH1 output | $\overline{\text{CS5}}$ output | PH1 input | PH1 output | $\overline{\text{RAS5}}$ output | $\overline{\text{SDRAM}}\phi^{*2}$ output |   |

Notes: 1. When SDRAM interface is not used, input a low-level signal on the DCTL pin.

2. Not used in the H8S/2378 0.18 $\mu\text{m}$  F-ZTAT Group, H8S/2377, H8S/2375, and H8S/2373.

- PH0/ $\overline{\text{CS4}}$ / $\overline{\text{RAS4}}$ / $\overline{\text{WE}}^*$

The pin function is switched as shown below according to the operating mode, bit EXPE, bit CS4E, bits RMTS2 to RMTS0, and bit PH0DDR.

|                |           |            |              |                                |                                 |                                 |                                      |            |           |            |           |            |           |            |                                |                                 |                                 |  |                                      |  |
|----------------|-----------|------------|--------------|--------------------------------|---------------------------------|---------------------------------|--------------------------------------|------------|-----------|------------|-----------|------------|-----------|------------|--------------------------------|---------------------------------|---------------------------------|--|--------------------------------------|--|
| Operating mode | 1, 2, 4   |            |              |                                |                                 |                                 | 7                                    |            |           |            |           |            |           |            |                                |                                 |                                 |  |                                      |  |
| EXPE           | —         |            |              |                                |                                 |                                 | 0                                    |            |           | 1          |           |            |           |            |                                |                                 |                                 |  |                                      |  |
| Area 4         | —         |            | Normal space |                                | DRAM space                      |                                 | Syn-chronous DRAM <sup>*</sup> space |            | —         |            |           | —          |           |            | Normal space                   |                                 | DRAM space                      |  | Syn-chronous DRAM <sup>*</sup> space |  |
| CS4E           | 0         |            | 1            |                                |                                 |                                 | —                                    |            |           | 0          |           |            | 1         |            |                                |                                 |                                 |  |                                      |  |
| PH0DDR         | 0         | 1          | 0            | 1                              | —                               | —                               | 0                                    | 1          | 0         | 1          | 0         | 1          | 0         | 1          | —                              | —                               |                                 |  |                                      |  |
| Pin function   | PH0 input | PH0 output | PH0 input    | $\overline{\text{CS4}}$ output | $\overline{\text{RAS4}}$ output | $\overline{\text{WE}}^*$ output | PH0 input                            | PH0 output | PH0 input | PH0 output | PH0 input | PH0 output | PH0 input | PH0 output | $\overline{\text{CS4}}$ output | $\overline{\text{RAS4}}$ output | $\overline{\text{WE}}^*$ output |  |                                      |  |

Note: \* Not used in the H8S/2378 0.18 $\mu\text{m}$  F-ZTAT Group, H8S/2377, H8S/2375, and H8S/2373.



## Section 11 16-Bit Timer Pulse Unit (TPU)

This LSI has an on-chip 16-bit timer pulse unit (TPU) that comprises six 16-bit timer channels. The function list of the 16-bit timer unit and its block diagram are shown in table 11.1 and figure 11.1, respectively.

### 11.1 Features

- Maximum 16-pulse input/output
- Selection of 8 counter input clocks for each channel
- The following operations can be set for each channel:
  - Waveform output at compare match
  - Input capture function
  - Counter clear operation
  - Synchronous operations:
    - Multiple timer counters (TCNT) can be written to simultaneously
    - Simultaneous clearing by compare match and input capture possible
    - Register simultaneous input/output possible by counter synchronous operation
  - Maximum of 15-phase PWM output possible by combination with synchronous operation
- Buffer operation settable for channels 0 and 3
- Phase counting mode settable independently for each of channels 1, 2, 4, and 5
- Cascaded operation
- Fast access via internal 16-bit bus
- 26 interrupt sources
- Automatic transfer of register data
- Programmable pulse generator (PPG) output trigger can be generated
- A/D converter conversion start trigger can be generated
- Module stop mode can be set

Table 11.1 TPU Functions

| Item                                   | Channel 0                                      | Channel 1                                      | Channel 2                                      | Channel 3                                      | Channel 4                                      | Channel 5                                      |
|--|--|--|--|--|--|--|
| Count clock                            | $\phi/1$                                       | $\phi/1$                                       | $\phi/1$                                       | $\phi/1$                                       | $\phi/1$                                       | $\phi/1$                                       |
|  | $\phi/4$                                       | $\phi/4$                                       | $\phi/4$                                       | $\phi/4$                                       | $\phi/4$                                       | $\phi/4$                                       |
|  | $\phi/16$                                      | $\phi/16$                                      | $\phi/16$                                      | $\phi/16$                                      | $\phi/16$                                      | $\phi/16$                                      |
|  | $\phi/64$                                      | $\phi/64$                                      | $\phi/64$                                      | $\phi/64$                                      | $\phi/64$                                      | $\phi/64$                                      |
|  | TCLKA  | $\phi/256$                                     | $\phi/1024$                                    | $\phi/256$                                     | $\phi/1024$                                    | $\phi/256$                                     |
|  | TCLKB  | TCLKA  | TCLKA  | $\phi/1024$                                    | TCLKA  | TCLKA  |
|  | TCLKC  | TCLKB  | TCLKB  | $\phi/4096$                                    | TCLKC  | TCLKC  |
|  | TCLKD  |  | TCLKC  | TCLKA  |  | TCLKD  |
| General registers<br>(TGR)             | TGRA_0   | TGRA_1   | TGRA_2   | TGRA_3   | TGRA_4   | TGRA_5   |
|  | TGRB_0   | TGRB_1   | TGRB_2   | TGRB_3   | TGRB_4   | TGRB_5   |
| General registers/<br>buffer registers | TGRC_0   | —  | —  | TGRC_3   | —  | —  |
|  | TGRD_0   |  |  | TGRD_3   |  |  |
| I/O pins                               | TIOCA0   | TIOCA1   | TIOCA2   | TIOCA3   | TIOCA4   | TIOCA5   |
|  | TIOCB0   | TIOCB1   | TIOCB2   | TIOCB3   | TIOCB4   | TIOCB5   |
|  | TIOCC0   |  |  | TIOCC3   |  |  |
|  | TIOCD0   |  |  | TIOCD3   |  |  |
| Counter clear<br>function              | TGR<br>compare<br>match or<br>input<br>capture | TGR<br>compare<br>match or<br>input<br>capture | TGR<br>compare<br>match or<br>input<br>capture | TGR<br>compare<br>match or<br>input<br>capture | TGR<br>compare<br>match or<br>input<br>capture | TGR<br>compare<br>match or<br>input<br>capture |
| Compare<br>match<br>output             | 0 output                                       | ○  | ○  | ○  | ○  | ○  |
|  | 1 output                                       | ○  | ○  | ○  | ○  | ○  |
|  | Toggle<br>output                               | ○  | ○  | ○  | ○  | ○  |
| Input capture<br>function              | ○  | ○  | ○  | ○  | ○  | ○  |
| Synchronous<br>operation               | ○  | ○  | ○  | ○  | ○  | ○  |
| PWM mode                               | ○  | ○  | ○  | ○  | ○  | ○  |
| Phase counting<br>mode                 | —  | ○  | ○  | —  | ○  | ○  |
| Buffer operation                       | ○  | —  | —  | ○  | —  | —  |

| Item                  | Channel 0   | Channel 1  | Channel 2  | Channel 3   | Channel 4  | Channel 5  |
|-----------------------|---|--|--|---|--|--|
| DTC activation        | TGR<br>compare<br>match or<br>input capture   | TGR<br>compare<br>match or<br>input capture  | TGR<br>compare<br>match or<br>input capture  | TGR<br>compare<br>match or<br>input capture   | TGR<br>compare<br>match or<br>input capture  | TGR<br>compare<br>match or<br>input capture  |
| DMAC activation       | TGRA<br>compare<br>match or<br>input capture  | TGRA<br>compare<br>match or<br>input capture   | TGRA<br>compare<br>match or<br>input capture   | TGRA<br>compare<br>match or<br>input capture  | TGRA<br>compare<br>match or<br>input capture   | TGRA<br>compare<br>match or<br>input capture   |
| A/D converter trigger | TGRA<br>compare<br>match or<br>input capture  | TGRA<br>compare<br>match or<br>input capture   | TGRA<br>compare<br>match or<br>input capture   | TGRA<br>compare<br>match or<br>input capture  | TGRA<br>compare<br>match or<br>input capture   | TGRA<br>compare<br>match or<br>input capture   |
| PPG trigger           | TGRA/<br>TGRB<br>compare<br>match or<br>input capture   | TGRA/<br>TGRB<br>compare<br>match or<br>input capture  | TGRA/<br>TGRB<br>compare<br>match or<br>input capture  | TGRA/<br>TGRB<br>compare<br>match or<br>input capture   | —  | —  |
| Interrupt sources     | 5 sources<br>• Compare match or input capture 0A<br>• Compare match or input capture 0B<br>• Compare match or input capture 0C<br>• Compare match or input capture 0D<br>• Overflow | 4 sources<br>• Compare match or input capture 1A<br>• Compare match or input capture 1B<br>• Overflow<br>• Underflow | 4 sources<br>• Compare match or input capture 2A<br>• Compare match or input capture 2B<br>• Overflow<br>• Underflow | 5 sources<br>• Compare match or input capture 3A<br>• Compare match or input capture 3B<br>• Compare match or input capture 3C<br>• Compare match or input capture 3D<br>• Overflow | 4 sources<br>• Compare match or input capture 4A<br>• Compare match or input capture 4B<br>• Overflow<br>• Underflow | 4 sources<br>• Compare match or input capture 5A<br>• Compare match or input capture 5B<br>• Overflow<br>• Underflow |

Legend:

○: Possible

—: Not possible

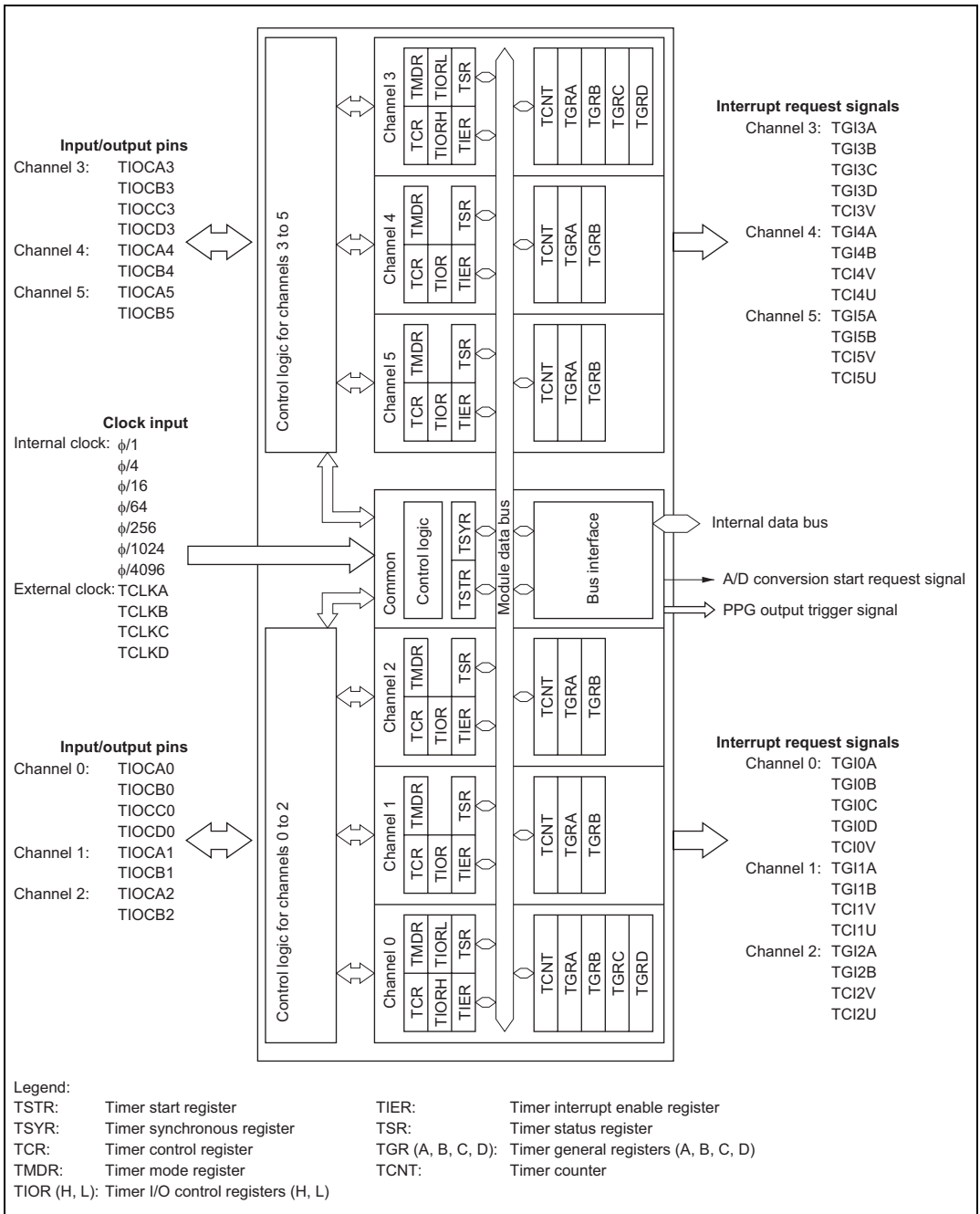


Figure 11.1 Block Diagram of TPU

## 11.2 Input/Output Pins

**Table 11.2 Pin Configuration**

| Channel | Symbol | I/O   | Function  |
|---------|--------|-------|---|
| All     | TCLKA  | Input | External clock A input pin<br>(Channel 1 and 5 phase counting mode A phase input) |
|         | TCLKB  | Input | External clock B input pin<br>(Channel 1 and 5 phase counting mode B phase input) |
|         | TCLKC  | Input | External clock C input pin<br>(Channel 2 and 4 phase counting mode A phase input) |
|         | TCLKD  | Input | External clock D input pin<br>(Channel 2 and 4 phase counting mode B phase input) |
| 0       | TIOCA0 | I/O   | TGRA_0 input capture input/output compare output/PWM output pin                   |
|         | TIOCB0 | I/O   | TGRB_0 input capture input/output compare output/PWM output pin                   |
|         | TIOCC0 | I/O   | TGRC_0 input capture input/output compare output/PWM output pin                   |
|         | TIOCD0 | I/O   | TGRD_0 input capture input/output compare output/PWM output pin                   |
| 1       | TIOCA1 | I/O   | TGRA_1 input capture input/output compare output/PWM output pin                   |
|         | TIOCB1 | I/O   | TGRB_1 input capture input/output compare output/PWM output pin                   |
| 2       | TIOCA2 | I/O   | TGRA_2 input capture input/output compare output/PWM output pin                   |
|         | TIOCB2 | I/O   | TGRB_2 input capture input/output compare output/PWM output pin                   |
| 3       | TIOCA3 | I/O   | TGRA_3 input capture input/output compare output/PWM output pin                   |
|         | TIOCB3 | I/O   | TGRB_3 input capture input/output compare output/PWM output pin                   |
|         | TIOCC3 | I/O   | TGRC_3 input capture input/output compare output/PWM output pin                   |
|         | TIOCD3 | I/O   | TGRD_3 input capture input/output compare output/PWM output pin                   |
| 4       | TIOCA4 | I/O   | TGRA_4 input capture input/output compare output/PWM output pin                   |
|         | TIOCB4 | I/O   | TGRB_4 input capture input/output compare output/PWM output pin                   |
| 5       | TIOCA5 | I/O   | TGRA_5 input capture input/output compare output/PWM output pin                   |
|         | TIOCB5 | I/O   | TGRB_5 input capture input/output compare output/PWM output pin                   |

## 11.3 Register Descriptions

The TPU has the following registers in each channel.

- Timer control register\_0 (TCR\_0)
- Timer mode register\_0 (TMDR\_0)
- Timer I/O control register H\_0 (TIORH\_0)
- Timer I/O control register L\_0 (TIORL\_0)
- Timer interrupt enable register\_0 (TIER\_0)
- Timer status register\_0 (TSR\_0)
- Timer counter\_0 (TCNT\_0)
- Timer general register A\_0 (TGRA\_0)
- Timer general register B\_0 (TGRB\_0)
- Timer general register C\_0 (TGRC\_0)
- Timer general register D\_0 (TGRD\_0)
- Timer control register\_1 (TCR\_1)
- Timer mode register\_1 (TMDR\_1)
- Timer I/O control register \_1 (TIOR\_1)
- Timer interrupt enable register\_1 (TIER\_1)
- Timer status register\_1 (TSR\_1)
- Timer counter\_1 (TCNT\_1)
- Timer general register A\_1 (TGRA\_1)
- Timer general register B\_1 (TGRB\_1)
- Timer control register\_2 (TCR\_2)
- Timer mode register\_2 (TMDR\_2)
- Timer I/O control register\_2 (TIOR\_2)
- Timer interrupt enable register\_2 (TIER\_2)
- Timer status register\_2 (TSR\_2)
- Timer counter\_2 (TCNT\_2)
- Timer general register A\_2 (TGRA\_2)
- Timer general register B\_2 (TGRB\_2)
- Timer control register\_3 (TCR\_3)
- Timer mode register\_3 (TMDR\_3)
- Timer I/O control register H\_3 (TIORH\_3)
- Timer I/O control register L\_3 (TIORL\_3)

- Timer interrupt enable register\_3 (TIER\_3)
- Timer status register\_3 (TSR\_3)
- Timer counter\_3 (TCNT\_3)
- Timer general register A\_3 (TGRA\_3)
- Timer general register B\_3 (TGRB\_3)
- Timer general register C\_3 (TGRC\_3)
- Timer general register D\_3 (TGRD\_3)
- Timer control register\_4 (TCR\_4)
- Timer mode register\_4 (TMDR\_4)
- Timer I/O control register\_4 (TIOR\_4)
- Timer interrupt enable register\_4 (TIER\_4)
- Timer status register\_4 (TSR\_4)
- Timer counter\_4 (TCNT\_4)
- Timer general register A\_4 (TGRA\_4)
- Timer general register B\_4 (TGRB\_4)
- Timer control register\_5 (TCR\_5)
- Timer mode register\_5 (TMDR\_5)
- Timer I/O control register\_5 (TIOR\_5)
- Timer interrupt enable register\_5 (TIER\_5)
- Timer status register\_5 (TSR\_5)
- Timer counter\_5 (TCNT\_5)
- Timer general register A\_5 (TGRA\_5)
- Timer general register B\_5 (TGRB\_5)

### Common Registers

- Timer start register (TSTR)
- Timer synchronous register (TSYR)

### 11.3.1 Timer Control Register (TCR)

The TCR registers control the TCNT operation for each channel. The TPU has a total of six TCR registers, one for each channel. TCR register settings should be made only when TCNT operation is stopped.

| Bit | Bit Name | Initial Value | R/W | Description  |
|-----|----------|---------------|-----|--|
| 7   | CCLR2    | 0             | R/W | Counter Clear 2 to 0   |
| 6   | CCLR1    | 0             | R/W | These bits select the TCNT counter clearing source. See tables 11.3 and 11.4 for details.  |
| 5   | CCLR0    | 0             | R/W |  |
| 4   | CKEG1    | 0             | R/W | Clock Edge 1 and 0   |
| 3   | CKEG0    | 0             | R/W | <p>These bits select the input clock edge. When the input clock is counted using both edges, the input clock period is halved (e.g. <math>\phi/4</math> both edges = <math>\phi/2</math> rising edge). If phase counting mode is used on channels 1, 2, 4, and 5, this setting is ignored and the phase counting mode setting has priority. Internal clock edge selection is valid when the input clock is <math>\phi/4</math> or slower. This setting is ignored if the input clock is <math>\phi/1</math>, or when overflow/underflow of another channel is selected.</p> <p>00: Count at rising edge<br/>           01: Count at falling edge<br/>           1x: Count at both edges<br/>           Legend: x: Don't care</p> |
| 2   | TPSC2    | 0             | R/W | Time Prescaler 2 to 0  |
| 1   | TPSC1    | 0             | R/W | These bits select the TCNT counter clock. The clock source can be selected independently for each channel. See tables 11.5 to 11.10 for details.   |
| 0   | TPSC0    | 0             | R/W |  |



**Table 11.3 CCLR2 to CCLR0 (Channels 0 and 3)**

| Channel | Bit 7<br>CCLR2 | Bit 6<br>CCLR1 | Bit 5<br>CCLR0 | Description  |
|---------|----------------|----------------|----------------|--|
| 0, 3    | 0              | 0              | 0              | TCNT clearing disabled   |
|         |                |                | 1              | TCNT cleared by TGRA compare match/input capture   |
|         |                |                | 0              | TCNT cleared by TGRB compare match/input capture   |
|         |                |                | 1              | TCNT cleared by counter clearing for another channel performing synchronous clearing/synchronous operation*1 |
| 1       | 0              | 0              | 0              | TCNT clearing disabled   |
|         |                |                | 1              | TCNT cleared by TGRC compare match/input capture*2   |
|         |                |                | 0              | TCNT cleared by TGRD compare match/input capture*2   |
|         |                |                | 1              | TCNT cleared by counter clearing for another channel performing synchronous clearing/synchronous operation*1 |

Notes: 1. Synchronous operation setting is performed by setting the SYNC bit in TSYR to 1.  
 2. When TGRC or TGRD is used as a buffer register, TCNT is not cleared because the buffer register setting has priority, and compare match/input capture does not occur.

**Table 11.4 CCLR2 to CCLR0 (Channels 1, 2, 4, and 5)**

| Channel    | Bit 7<br>Reserved*2 | Bit 6<br>CCLR1 | Bit 5<br>CCLR0 | Description  |
|------------|---------------------|----------------|----------------|--|
| 1, 2, 4, 5 | 0                   | 0              | 0              | TCNT clearing disabled   |
|            |                     |                | 1              | TCNT cleared by TGRA compare match/input capture   |
|            |                     |                | 0              | TCNT cleared by TGRB compare match/input capture   |
|            |                     |                | 1              | TCNT cleared by counter clearing for another channel performing synchronous clearing/synchronous operation*1 |

Notes: 1. Synchronous operation setting is performed by setting the SYNC bit in TSYR to 1.  
 2. Bit 7 is reserved in channels 1, 2, 4, and 5. It is always read as 0 and cannot be modified.

Table 11.5 TPSC2 to TPSC0 (Channel 0)

| Channel | Bit 2<br>TPSC2 | Bit 1<br>TPSC1 | Bit 0<br>TPSC0 | Description                               |
|---------|----------------|----------------|----------------|---|
| 0       | 0              | 0              | 0              | Internal clock: counts on $\phi/1$        |
|         |                |                | 1              | Internal clock: counts on $\phi/4$        |
|         |                | 1              | 0              | Internal clock: counts on $\phi/16$       |
|         |                |                | 1              | Internal clock: counts on $\phi/64$       |
|         | 1              | 0              | 0              | External clock: counts on TCLKA pin input |
|         |                |                | 1              | External clock: counts on TCLKB pin input |
|         |                | 1              | 0              | External clock: counts on TCLKC pin input |
|         |                |                | 1              | External clock: counts on TCLKD pin input |

Table 11.6 TPSC2 to TPSC0 (Channel 1)

| Channel | Bit 2<br>TPSC2 | Bit 1<br>TPSC1 | Bit 0<br>TPSC0 | Description                               |
|---------|----------------|----------------|----------------|---|
| 1       | 0              | 0              | 0              | Internal clock: counts on $\phi/1$        |
|         |                |                | 1              | Internal clock: counts on $\phi/4$        |
|         |                | 1              | 0              | Internal clock: counts on $\phi/16$       |
|         |                |                | 1              | Internal clock: counts on $\phi/64$       |
|         | 1              | 0              | 0              | External clock: counts on TCLKA pin input |
|         |                |                | 1              | External clock: counts on TCLKB pin input |
|         |                | 1              | 0              | Internal clock: counts on $\phi/256$      |
|         |                |                | 1              | Counts on TCNT2 overflow/underflow        |

Note: This setting is ignored when channel 1 is in phase counting mode.

**Table 11.7 TPSC2 to TPSC0 (Channel 2)**

| Channel | Bit 2<br>TPSC2 | Bit 1<br>TPSC1 | Bit 0<br>TPSC0 | Description                               |
|---------|----------------|----------------|----------------|---|
| 2       | 0              | 0              | 0              | Internal clock: counts on $\phi/1$        |
|         |                |                | 1              | Internal clock: counts on $\phi/4$        |
|         |                | 1              | 0              | Internal clock: counts on $\phi/16$       |
|         |                |                | 1              | Internal clock: counts on $\phi/64$       |
|         | 1              | 0              | 0              | External clock: counts on TCLKA pin input |
|         |                |                | 1              | External clock: counts on TCLKB pin input |
|         |                | 1              | 0              | External clock: counts on TCLKC pin input |
|         |                |                | 1              | Internal clock: counts on $\phi/1024$     |

Note: This setting is ignored when channel 2 is in phase counting mode.

**Table 11.8 TPSC2 to TPSC0 (Channel 3)**

| Channel | Bit 2<br>TPSC2 | Bit 1<br>TPSC1 | Bit 0<br>TPSC0 | Description                               |
|---------|----------------|----------------|----------------|---|
| 3       | 0              | 0              | 0              | Internal clock: counts on $\phi/1$        |
|         |                |                | 1              | Internal clock: counts on $\phi/4$        |
|         |                | 1              | 0              | Internal clock: counts on $\phi/16$       |
|         |                |                | 1              | Internal clock: counts on $\phi/64$       |
|         | 1              | 0              | 0              | External clock: counts on TCLKA pin input |
|         |                |                | 1              | Internal clock: counts on $\phi/1024$     |
|         |                | 1              | 0              | Internal clock: counts on $\phi/256$      |
|         |                |                | 1              | Internal clock: counts on $\phi/4096$     |

**Table 11.9 TPSC2 to TPSC0 (Channel 4)**

| Channel | Bit 2<br>TPSC2 | Bit 1<br>TPSC1 | Bit 0<br>TPSC0 | Description                               |
|---------|----------------|----------------|----------------|---|
| 4       | 0              | 0              | 0              | Internal clock: counts on $\phi/1$        |
|         |                |                | 1              | Internal clock: counts on $\phi/4$        |
|         |                | 1              | 0              | Internal clock: counts on $\phi/16$       |
|         |                |                | 1              | Internal clock: counts on $\phi/64$       |
|         | 1              | 0              | 0              | External clock: counts on TCLKA pin input |
|         |                |                | 1              | External clock: counts on TCLKC pin input |
|         |                | 1              | 0              | Internal clock: counts on $\phi/1024$     |
|         |                |                | 1              | Counts on TCNT5 overflow/underflow        |

Note: This setting is ignored when channel 4 is in phase counting mode.

**Table 11.10 TPSC2 to TPSC0 (Channel 5)**

| Channel | Bit 2<br>TPSC2 | Bit 1<br>TPSC1 | Bit 0<br>TPSC0 | Description                               |
|---------|----------------|----------------|----------------|---|
| 5       | 0              | 0              | 0              | Internal clock: counts on $\phi/1$        |
|         |                |                | 1              | Internal clock: counts on $\phi/4$        |
|         |                | 1              | 0              | Internal clock: counts on $\phi/16$       |
|         |                |                | 1              | Internal clock: counts on $\phi/64$       |
|         | 1              | 0              | 0              | External clock: counts on TCLKA pin input |
|         |                |                | 1              | External clock: counts on TCLKC pin input |
|         |                | 1              | 0              | Internal clock: counts on $\phi/256$      |
|         |                |                | 1              | External clock: counts on TCLKD pin input |

Note: This setting is ignored when channel 5 is in phase counting mode.

### 11.3.2 Timer Mode Register (TMDR)

TMDR registers are used to set the operating mode for each channel. The TPU has six TMDR registers, one for each channel. TMDR register settings should be made only when TCNT operation is stopped.

| Bit  | Bit Name | Initial Value | R/W | Description   |
|------|----------|---------------|-----|---|
| 7, 6 | —        | All 1         | —   | Reserved<br>These bits are always read as 1 and cannot be modified.   |
| 5    | BFB      | 0             | R/W | Buffer Operation B<br>Specifies whether TGRB is to operate in the normal way, or TGRB and TGRD are to be used together for buffer operation. When TGRD is used as a buffer register, TGRD input capture/output compare is not generated.<br>In channels 1, 2, 4, and 5, which have no TGRD, bit 5 is reserved. It is always read as 0 and cannot be modified.<br>0: TGRB operates normally<br>1: TGRB and TGRD used together for buffer operation |
| 4    | BFA      | 0             | R/W | Buffer Operation A<br>Specifies whether TGRA is to operate in the normal way, or TGRA and TGRC are to be used together for buffer operation. When TGRC is used as a buffer register, TGRC input capture/output compare is not generated.<br>In channels 1, 2, 4, and 5, which have no TGRC, bit 4 is reserved. It is always read as 0 and cannot be modified.<br>0: TGRA operates normally<br>1: TGRA and TGRC used together for buffer operation |
| 3    | MD3      | 0             | R/W | Modes 3 to 0  |
| 2    | MD2      | 0             | R/W | These bits are used to set the timer operating mode.<br>MD3 is a reserved bit. The write value should always be 0. See table 11.11 for details.   |
| 1    | MD1      | 0             | R/W |   |
| 0    | MD0      | 0             | R/W |   |

Table 11.11 MD3 to MD0

| Bit 3<br>MD3*1 | Bit 2<br>MD2*2 | Bit 1<br>MD1 | Bit 0<br>MD0 | Description           |                       |
|----------------|----------------|--------------|--------------|-----------------------|-----------------------|
| 0              | 0              | 0            | 0            | Normal operation      |                       |
|                |                |              | 1            | Reserved              |                       |
|                | 1              | 0            | 1            | 0                     | PWM mode 1            |
|                |                |              |              | 1                     | PWM mode 2            |
|                |                |              | 0            | 0                     | Phase counting mode 1 |
|                |                |              |              | 1                     | Phase counting mode 2 |
|                |                | 1            | 0            | Phase counting mode 3 |                       |
|                |                |              | 1            | Phase counting mode 4 |                       |
| 1              | x              | x            | x            | —                     |                       |

Legend: x: Don't care

Notes: 1. MD3 is a reserved bit. In a write, it should always be written with 0.

2. Phase counting mode cannot be set for channels 0 and 3. In this case, 0 should always be written to MD2.

### 11.3.3 Timer I/O Control Register (TIOR)

TIOR registers control the TGR registers. The TPU has eight TIOR registers, two each for channels 0 and 3, and one each for channels 1, 2, 4, and 5. Care is required since TIOR is affected by the TMDR setting.

The initial output specified by TIOR is valid when the counter is stopped (the CST bit in TSTR is cleared to 0). Note also that, in PWM mode 2, the output at the point at which the counter is cleared to 0 is specified.

When TGRC or TGRD is designated for buffer operation, this setting is invalid and the register operates as a buffer register.

**TIORH\_0, TIOR\_1, TIOR\_2, TIORH\_3, TIOR\_4, TIOR\_5**

| Bit | Bit Name | Initial Value | R/W | Description   |
|-----|----------|---------------|-----|---|
| 7   | IOB3     | 0             | R/W | I/O Control B3 to B0  |
| 6   | IOB2     | 0             | R/W | Specify the function of TGRB.<br>For details, see tables 11.12, 11.14, 11.15, 11.16,<br>11.18, and 11.19. |
| 5   | IOB1     | 0             | R/W |   |
| 4   | IOB0     | 0             | R/W |   |
| 3   | IOA3     | 0             | R/W | I/O Control A3 to A0  |
| 2   | IOA2     | 0             | R/W | Specify the function of TGRA.<br>For details, see tables 11.20, 11.22, 11.23, 11.24,<br>11.26, and 11.27. |
| 1   | IOA1     | 0             | R/W |   |
| 0   | IOA0     | 0             | R/W |   |

**TIORL\_0, TIORL\_3**

| Bit | Bit Name | Initial Value | R/W | Description   |
|-----|----------|---------------|-----|---|
| 7   | IOD3     | 0             | R/W | I/O Control D3 to D0  |
| 6   | IOD2     | 0             | R/W | Specify the function of TGRD.<br>For details, see tables 11.13 and 11.17. |
| 5   | IOD1     | 0             | R/W |   |
| 4   | IOD0     | 0             | R/W |   |
| 3   | IOC3     | 0             | R/W | I/O Control C3 to C0  |
| 2   | IOC2     | 0             | R/W | Specify the function of TGRC.<br>For details, see tables 11.21 and 11.25  |
| 1   | IOC1     | 0             | R/W |   |
| 0   | IOC0     | 0             | R/W |   |

Table 11.12 TIORH\_0

| Bit 7<br>IOB3 | Bit 6<br>IOB2 | Bit 5<br>IOB1 | Bit 4<br>IOB0                | Description  |  |
|---------------|---------------|---------------|------------------------------|--|--|
|               |               |               |                              | TGRB_0<br>Function   | TIOCB0 Pin Function  |
| 0             | 0             | 0             | 0                            | Output<br>compare<br>register                                      | Output disabled  |
|               |               |               | 1                            |  | Initial output is 0 output<br>0 output at compare match  |
|               |               | 1             | 0                            |  | Initial output is 0 output<br>1 output at compare match  |
|               |               |               | 1                            |  | Initial output is 0 output<br>Toggle output at compare match                                   |
|               | 1             | 0             | 0                            |  | Output disabled  |
|               |               |               | 1                            |  | Initial output is 1 output<br>0 output at compare match  |
|               |               | 1             | 0                            |  | Initial output is 1 output<br>1 output at compare match  |
|               |               |               | 1                            |  | Initial output is 1 output<br>Toggle output at compare match                                   |
| 1             | 0             | 0             | Input<br>capture<br>register | Capture input source is TIOCB0 pin<br>Input capture at rising edge |  |
|               |               |               |                              | 1  | Capture input source is TIOCB0 pin<br>Input capture at falling edge                            |
|               |               | 1             |                              | ×  | Capture input source is TIOCB0 pin<br>Input capture at both edges                              |
|               | 1             | ×             |                              | ×  | Capture input source is channel 1/count clock<br>Input capture at TCNT_1 count- up/count-down* |

Legend: ×: Don't care

Note: \* When bits TPSC2 to TPSC0 in TCR\_1 are set to B'000 and  $\phi/1$  is used as the TCNT\_1 count clock, this setting is invalid and input capture is not generated.



Table 11.13 TIORL\_0

|               |               |               |   | Description  |  |
|---------------|---------------|---------------|---|--|--|
| Bit 7<br>IOD3 | Bit 6<br>IOD2 | Bit 5<br>IOD1 | Bit 4<br>IOD0                                 | TGRD_0<br>Function   | TIOCD0 Pin Function  |
| 0             | 0             | 0             | 0   | Output<br>compare<br>register*2                              | Output disabled  |
|               |               |               | 1   |  | Initial output is 0 output<br>0 output at compare match      |
|               |               | 1             | 0   |  | Initial output is 0 output<br>1 output at compare match      |
|               |               |               | 1   |  | Initial output is 0 output<br>Toggle output at compare match |
|               | 1             | 0             | 0   | Output disabled  |  |
|               |               |               | 1   | Initial output is 1 output<br>0 output at compare match      |  |
|               |               | 1             | 0   | Initial output is 1 output<br>1 output at compare match      |  |
|               |               |               | 1   | Initial output is 1 output<br>Toggle output at compare match |  |
| 1             | 0             | 0             | Input<br>capture<br>register*2                | Capture input source is TIOCD0 pin                           |  |
|               |               |               |   | 1  | Input capture at rising edge                                 |
|               |               | 1             |   | ×  | Capture input source is TIOCD0 pin                           |
|               | ×             |               |   |  | Input capture at falling edge                                |
|               | 1             |               |   | ×  | Capture input source is TIOCD0 pin                           |
|               | 1             | ×             |   | ×  | Capture input source is channel 1/count clock                |
|               |               |               | Input capture at TCNT_1 count-up/count-down*1 |  |  |

Legend: ×: Don't care

- Notes: 1. When bits TPSC2 to TPSC0 in TCR\_1 are set to B'000 and  $\phi/1$  is used as the TCNT\_1 count clock, this setting is invalid and input capture is not generated.
2. When the BFB bit in TMDR\_0 is set to 1 and TGRD\_0 is used as a buffer register, this setting is invalid and input capture/output compare is not generated.

Table 11.14 TIOR\_1

| Bit 7<br>IOB3 | Bit 6<br>IOB2 | Bit 5<br>IOB1 | Bit 4<br>IOB0  | Description  |   |  |   |
|---------------|---------------|---------------|--|--|---|--|---|
|               |               |               |  | TGRB_1<br>Function   | TIOCB1 Pin Function                                     |  |   |
| 0             | 0             | 0             | 0  | Output<br>compare<br>register  | Output disabled   |  |   |
|               |               |               | 1  |  | Initial output is 0 output<br>0 output at compare match |  |   |
|               |               |               | 1  |  | Initial output is 0 output<br>1 output at compare match |  |   |
|               |               | 0             | Initial output is 0 output<br>Toggle output at compare match |  |   |  |   |
|               |               | 1             | Output disabled  |  |   |  |   |
|               |               | 1             | Initial output is 1 output<br>0 output at compare match      |  |   |  |   |
|               | 1             | 0             | 0  | 0  | Input<br>capture<br>register                            | Initial output is 1 output<br>1 output at compare match      |   |
|               |               |               |  | 1  |   | Initial output is 1 output<br>Toggle output at compare match |   |
|               |               |               |  | 1  |   | Initial output is 1 output<br>Toggle output at compare match |   |
|               |               | 1             | ×  | ×  |   | 0  | Capture input source is TIOCB1 pin<br>Input capture at rising edge  |
|               |               |               |  |  |   | 1  | Capture input source is TIOCB1 pin<br>Input capture at falling edge |
|               |               |               |  |  |   | ×  | Capture input source is TIOCB1 pin<br>Input capture at both edges   |
| 1             | ×             | ×             | ×  | TGRC_0 compare match/input capture<br>Input capture at generation of TGRC_0 compare<br>match/input capture |   |  |   |

Legend: ×: Don't care

Table 11.15 TIOR\_2

| Bit 7<br>IOB3 | Bit 6<br>IOB2 | Bit 5<br>IOB1 | Bit 4<br>IOB0 | Description                   |   |
|---------------|---------------|---------------|---------------|-------------------------------|---|
|               |               |               |               | TGRB_2<br>Function            | TIOCB2 Pin Function   |
| 0             | 0             | 0             | 0             | Output<br>compare<br>register | Output disabled   |
|               |               |               | 1             |                               | Initial output is 0 output<br>0 output at compare match             |
|               |               | 1             | 0             |                               | Initial output is 0 output<br>1 output at compare match             |
|               |               |               | 1             |                               | Initial output is 0 output<br>Toggle output at compare match        |
|               | 1             | 0             | 0             |                               | Output disabled   |
|               |               |               | 1             |                               | Initial output is 1 output<br>0 output at compare match             |
|               |               | 1             | 0             |                               | Initial output is 1 output<br>1 output at compare match             |
|               |               |               | 1             |                               | Initial output is 1 output<br>Toggle output at compare match        |
| 1             | ×             | 0             | 0             | Input<br>capture<br>register  | Capture input source is TIOCB2 pin<br>Input capture at rising edge  |
|               |               |               | 1             |                               | Capture input source is TIOCB2 pin<br>Input capture at falling edge |
|               | 1             | ×             | 0             |                               | Capture input source is TIOCB2 pin<br>Input capture at both edges   |
|               |               |               | 1             |                               |   |

Legend: ×: Don't care

Table 11.16 TIORH\_3

| Bit 7<br>IOB3 | Bit 6<br>IOB2 | Bit 5<br>IOB1 | Bit 4<br>IOB0 | Description                   |  |   |
|---------------|---------------|---------------|---------------|-------------------------------|--|---|
|               |               |               |               | TGRB_3<br>Function            | TIOCB3 Pin Function  |   |
| 0             | 0             | 0             | 0             | Output<br>compare<br>register | Output disabled  |   |
|               |               |               | 1             |                               | Initial output is 0 output<br>0 output at compare match            |   |
|               |               |               | 1             |                               | Initial output is 0 output<br>1 output at compare match            |   |
|               |               | 1             | 0             |                               | Initial output is 0 output<br>Toggle output at compare match       |   |
|               |               |               | 1             |                               | Output disabled  |   |
|               |               |               | 1             |                               | Initial output is 1 output<br>0 output at compare match            |   |
|               | 1             | 0             | 0             | Input<br>capture<br>register  | Initial output is 1 output<br>1 output at compare match            |   |
|               |               |               | 1             |                               | Initial output is 1 output<br>Toggle output at compare match       |   |
|               |               |               | 1             |                               | Capture input source is TIOCB3 pin<br>Input capture at rising edge |   |
|               |               | 1             | 0             |                               | 0  | Capture input source is TIOCB3 pin<br>Input capture at falling edge                           |
|               |               |               |               |                               | 1  | Capture input source is TIOCB3 pin<br>Input capture at both edges                             |
|               |               |               | 1             |                               | 1  | Capture input source is channel 4/count clock<br>Input capture at TCNT_4 count-up/count-down* |

Legend: x: Don't care

Note: \* When bits TPSC2 to TPSC0 in TCR\_4 are set to B'000 and  $\phi/1$  is used as the TCNT\_4 count clock, this setting is invalid and input capture is not generated.

Table 11.17 TIORL\_3

|               |               |               |  | Description  |   |   |
|---------------|---------------|---------------|--|--|---|---|
| Bit 7<br>IOD3 | Bit 6<br>IOD2 | Bit 5<br>IOD1 | Bit 4<br>IOD0  | TGRD_3<br>Function   | TIOCD3 Pin Function   |   |
| 0             | 0             | 0             | 0  | Output<br>compare<br>register*2  | Output disabled   |   |
|               |               |               | 1  |  | Initial output is 0 output<br>0 output at compare match           |   |
|               |               |               | 0  |  | Initial output is 0 output<br>1 output at compare match           |   |
|               |               | 1             | Initial output is 0 output<br>Toggle output at compare match |  |   |   |
|               |               | 1             | 0  |  | 0   | Output disabled   |
|               |               |               |  |  | 1   | Initial output is 1 output<br>0 output at compare match             |
|               | 0             |               |  | Initial output is 1 output<br>1 output at compare match  |   |   |
|               | 1             | 0             | 1  | 0  | Initial output is 1 output<br>Toggle output at compare match      |   |
|               |               |               |  | 1  | Initial output is 1 output<br>Toggle output at compare match      |   |
|               |               |               |  | 0  | Initial output is 1 output<br>Toggle output at compare match      |   |
|               |               | 1             | x  | x  | 0   | Capture input source is TIOCD3 pin<br>Input capture at rising edge  |
|               |               |               |  |  | 1   | Capture input source is TIOCD3 pin<br>Input capture at falling edge |
| x             |               |               |  |  | Capture input source is TIOCD3 pin<br>Input capture at both edges |   |
| 1             | x             | x             | 0  | Capture input source is channel 4/count clock<br>Input capture at TCNT_4 count-up/count-down*1 |   |   |
|               |               |               | 1  | Capture input source is channel 4/count clock<br>Input capture at TCNT_4 count-up/count-down*1 |   |   |

Legend: x: Don't care

- Notes: 1. When bits TPSC2 to TPSC0 in TCR\_4 are set to B'000 and  $\phi/1$  is used as the TCNT\_4 count clock, this setting is invalid and input capture is not generated.
2. When the BFB bit in TMDR\_3 is set to 1 and TGRD\_3 is used as a buffer register, this setting is invalid and input capture/output compare is not generated.

Table 11.18 TIOR\_4

| Bit 7<br>IOB3 | Bit 6<br>IOB2 | Bit 5<br>IOB1 | Bit 4<br>IOB0  | Description                   |  |   |   |  |
|---------------|---------------|---------------|--|-------------------------------|--|---|---|--|
|               |               |               |  | TGRB_4<br>Function            | TIOCB4 Pin Function  |   |   |  |
| 0             | 0             | 0             | 0  | Output<br>compare<br>register | Output disabled  |   |   |  |
|               |               |               | 1  |                               | Initial output is 0 output<br>0 output at compare match            |   |   |  |
|               |               |               | 1  |                               | Initial output is 0 output<br>1 output at compare match            |   |   |  |
|               |               | 0             | Initial output is 0 output<br>Toggle output at compare match |                               |  |   |   |  |
|               |               | 1             | Initial output is 0 output<br>Toggle output at compare match |                               |  |   |   |  |
|               |               | 1             | Initial output is 0 output<br>Toggle output at compare match |                               |  |   |   |  |
|               | 1             | 0             | 0  | 0                             | Output disabled  |   |   |  |
|               |               |               |  | 1                             | Initial output is 1 output<br>0 output at compare match            |   |   |  |
|               |               |               |  | 1                             | Initial output is 1 output<br>1 output at compare match            |   |   |  |
|               |               | 1             | 0  | 0                             | 0  | Initial output is 1 output<br>Toggle output at compare match        |   |  |
|               |               |               |  |                               | 1  | Initial output is 1 output<br>Toggle output at compare match        |   |  |
|               |               |               |  |                               | 1  | Initial output is 1 output<br>Toggle output at compare match        |   |  |
| 1             | 0             | 0             | 0  | Input<br>capture<br>register  | Capture input source is TIOCB4 pin<br>Input capture at rising edge |   |   |  |
|               |               |               |  |                               | 1  | Capture input source is TIOCB4 pin<br>Input capture at falling edge |   |  |
|               |               |               |  |                               | 1  | Capture input source is TIOCB4 pin<br>Input capture at both edges   |   |  |
|               |               | 1             | ×  |                               | ×  | ×   | Capture input source is TGRC_3 compare<br>match/input capture |  |
|               |               |               |  |                               |  |   | ×   | Input capture at generation of TGRC_3 compare<br>match/input capture |
|               |               |               |  |                               |  |   | ×   | Input capture at generation of TGRC_3 compare<br>match/input capture |

Legend: ×: Don't care

Table 11.19 TIOR\_5

| Bit 7<br>IOB3 | Bit 6<br>IOB2 | Bit 5<br>IOB1 | Bit 4<br>IOB0 | Description                   |   |
|---------------|---------------|---------------|---------------|-------------------------------|---|
|               |               |               |               | TGRB_5<br>Function            | TIOCB5 Pin Function   |
| 0             | 0             | 0             | 0             | Output<br>compare<br>register | Output disabled   |
|               |               |               | 1             |                               | Initial output is 0 output<br>0 output at compare match             |
|               |               | 1             | 0             |                               | Initial output is 0 output<br>1 output at compare match             |
|               |               |               | 1             |                               | Initial output is 0 output<br>Toggle output at compare match        |
|               | 1             | 0             | 0             |                               | Output disabled   |
|               |               |               | 1             |                               | Initial output is 1 output<br>0 output at compare match             |
|               |               | 1             | 0             |                               | Initial output is 1 output<br>1 output at compare match             |
|               |               |               | 1             |                               | Initial output is 1 output<br>Toggle output at compare match        |
| 1             | ×             | 0             | 0             | Input<br>capture<br>register  | Capture input source is TIOCB5 pin<br>Input capture at rising edge  |
|               |               |               | 1             |                               | Capture input source is TIOCB5 pin<br>Input capture at falling edge |
|               | 1             | ×             | 0             |                               | Capture input source is TIOCB5 pin<br>Input capture at both edges   |
|               |               |               | 1             |                               |   |

Legend: ×: Don't care

Table 11.20 TIORH\_0

| Bit 3<br>IOA3 | Bit 2<br>IOA2 | Bit 1<br>IOA1 | Bit 0<br>IOA0                | Description  |  |
|---------------|---------------|---------------|------------------------------|--|--|
|               |               |               |                              | TGRA_0<br>Function   | TIOCA0 Pin Function  |
| 0             | 0             | 0             | 0                            | Output<br>compare<br>register                                      | Output disabled  |
|               |               |               | 1                            |  | Initial output is 0 output<br>0 output at compare match                                      |
|               |               | 1             | 0                            |  | Initial output is 0 output<br>1 output at compare match                                      |
|               |               |               | 1                            |  | Initial output is 0 output<br>Toggle output at compare match                                 |
|               | 1             | 0             | 0                            |  | Output disabled  |
|               |               |               | 1                            |  | Initial output is 1 output<br>0 output at compare match                                      |
|               |               | 1             | 0                            |  | Initial output is 1 output<br>1 output at compare match                                      |
|               |               |               | 1                            |  | Initial output is 1 output<br>Toggle output at compare match                                 |
| 1             | 0             | 0             | Input<br>capture<br>register | Capture input source is TIOCA0 pin<br>Input capture at rising edge |  |
|               |               |               |                              | 1  | Capture input source is TIOCA0 pin<br>Input capture at falling edge                          |
|               |               | 1             |                              | ×  | Capture input source is TIOCA0 pin<br>Input capture at both edges                            |
|               | 1             | ×             |                              | ×  | Capture input source is channel 1/count clock<br>Input capture at TCNT_1 count-up/count-down |

Legend: ×: Don't care



Table 11.21 TIORL\_0

| Bit 3<br>IOC3 | Bit 2<br>IOC2 | Bit 1<br>IOC1 | Bit 0<br>IOC0 | Description  |  |   |
|---------------|---------------|---------------|---------------|--|--|---|
|               |               |               |               | TGRC_0<br>Function   | TIOCC0 Pin Function  |   |
| 0             | 0             | 0             | 0             | Output<br>compare<br>register*   | Output disabled  |   |
|               |               |               | 1             |  | Initial output is 0 output<br>0 output at compare match      |   |
|               |               |               | 1             |  | Initial output is 0 output<br>1 output at compare match      |   |
|               |               | 1             | 0             |  | Initial output is 0 output<br>Toggle output at compare match |   |
|               |               |               | 1             |  | Output disabled  |   |
|               |               |               | 1             |  | Initial output is 1 output<br>0 output at compare match      |   |
|               | 1             | 0             | 0             | 0  | Initial output is 1 output<br>1 output at compare match      |   |
|               |               |               |               | 1  | Initial output is 1 output<br>Toggle output at compare match |   |
|               |               |               |               | 1  | Initial output is 1 output<br>Toggle output at compare match |   |
|               |               | 1             | 1             | 0  | 0  | Capture input source is TIOCC0 pin<br>Input capture at rising edge  |
|               |               |               |               |  | 1  | Capture input source is TIOCC0 pin<br>Input capture at falling edge |
|               |               |               |               |  | ×  | Capture input source is TIOCC0 pin<br>Input capture at both edges   |
| 1             | ×             | ×             | ×             | Capture input source is channel 1/count clock<br>Input capture at TCNT_1 count-up/count-down |  |   |

Legend: ×: Don't care

Note: \* When the BFA bit in TMDR\_0 is set to 1 and TGRC\_0 is used as a buffer register, this setting is invalid and input capture/output compare is not generated.

Table 11.22 TIOR\_1

| Bit 3<br>IOA3 | Bit 2<br>IOA2 | Bit 1<br>IOA1 | Bit 0<br>IOA0                | Description  |   |
|---------------|---------------|---------------|------------------------------|--|---|
|               |               |               |                              | TGRA_1<br>Function   | TIOCA1 Pin Function   |
| 0             | 0             | 0             | 0                            | Output<br>compare<br>register  | Output disabled   |
|               |               |               | 1                            |  | Initial output is 0 output<br>0 output at compare match             |
|               |               | 1             | 0                            |  | Initial output is 0 output<br>1 output at compare match             |
|               |               |               | 1                            |  | Initial output is 0 output<br>Toggle output at compare match        |
|               | 1             | 0             | 0                            | Output disabled  |   |
|               |               |               | 1                            | Initial output is 1 output<br>0 output at compare match                        |   |
|               |               | 1             | 0                            | Initial output is 1 output<br>1 output at compare match                        |   |
|               |               |               | 1                            | Initial output is 1 output<br>Toggle output at compare match                   |   |
| 1             | 0             | 0             | Input<br>capture<br>register | Capture input source is TIOCA1 pin<br>Input capture at rising edge             |   |
|               |               |               |                              | 1  | Capture input source is TIOCA1 pin<br>Input capture at falling edge |
|               |               | 1             |                              | ×  | Capture input source is TIOCA1 pin<br>Input capture at both edges   |
|               | 1             | ×             | ×                            | Capture input source is TGRA_0 compare<br>match/input capture                  |   |
|               |               |               |                              | Input capture at generation of channel 0/TGRA_0<br>compare match/input capture |   |
|               |               |               |                              |  |   |

Legend: ×: Don't care

Table 11.23 TIOR\_2

| Bit 3<br>IOA3 | Bit 2<br>IOA2 | Bit 1<br>IOA1 | Bit 0<br>IOA0 | Description                   |   |
|---------------|---------------|---------------|---------------|-------------------------------|---|
|               |               |               |               | TGRA_2<br>Function            | TIOCA2 Pin Function   |
| 0             | 0             | 0             | 0             | Output<br>compare<br>register | Output disabled   |
|               |               |               | 1             |                               | Initial output is 0 output<br>0 output at compare match             |
|               |               | 1             | 0             |                               | Initial output is 0 output<br>1 output at compare match             |
|               |               |               | 1             |                               | Initial output is 0 output<br>Toggle output at compare match        |
|               | 1             | 0             | 0             |                               | Output disabled   |
|               |               |               | 1             |                               | Initial output is 1 output<br>0 output at compare match             |
|               |               | 1             | 0             |                               | Initial output is 1 output<br>1 output at compare match             |
|               |               |               | 1             |                               | Initial output is 1 output<br>Toggle output at compare match        |
| 1             | ×             | 0             | 0             | Input<br>capture<br>register  | Capture input source is TIOCA2 pin<br>Input capture at rising edge  |
|               |               |               | 1             |                               | Capture input source is TIOCA2 pin<br>Input capture at falling edge |
|               | 1             | ×             | 0             |                               | Capture input source is TIOCA2 pin<br>Input capture at both edges   |
|               |               |               | 1             |                               | Capture input source is TIOCA2 pin<br>Input capture at both edges   |

Legend: ×: Don't care

Table 11.24 TIORH\_3

| Bit 3<br>IOA3 | Bit 2<br>IOA2 | Bit 1<br>IOA1 | Bit 0<br>IOA0                | Description  |  |
|---------------|---------------|---------------|------------------------------|--|--|
|               |               |               |                              | TGRA_3<br>Function   | TIOCA3 Pin Function  |
| 0             | 0             | 0             | 0                            | Output<br>compare<br>register                                      | Output disabled  |
|               |               |               | 1                            |  | Initial output is 0 output<br>0 output at compare match                                      |
|               |               | 1             | 0                            |  | Initial output is 0 output<br>1 output at compare match                                      |
|               |               |               | 1                            |  | Initial output is 0 output<br>Toggle output at compare match                                 |
|               | 1             | 0             | 0                            |  | Output disabled  |
|               |               |               | 1                            |  | Initial output is 1 output<br>0 output at compare match                                      |
|               |               | 1             | 0                            |  | Initial output is 1 output<br>1 output at compare match                                      |
|               |               |               | 1                            |  | Initial output is 1 output<br>Toggle output at compare match                                 |
| 1             | 0             | 0             | Input<br>capture<br>register | Capture input source is TIOCA3 pin<br>Input capture at rising edge |  |
|               |               |               |                              | 1  | Capture input source is TIOCA3 pin<br>Input capture at falling edge                          |
|               |               | 1             |                              | ×  | Capture input source is TIOCA3 pin<br>Input capture at both edges                            |
|               | 1             | ×             |                              | ×  | Capture input source is channel 4/count clock<br>Input capture at TCNT_4 count-up/count-down |

Legend: ×: Don't care

Table 11.25 TIORL\_3

| Bit 3<br>IOC3 | Bit 2<br>IOC2 | Bit 1<br>IOC1 | Bit 0<br>IOC0                 | Description  |   |
|---------------|---------------|---------------|-------------------------------|--|---|
|               |               |               |                               | TGRC_3<br>Function   | TIOCC3 Pin Function   |
| 0             | 0             | 0             | 0                             | Output<br>compare<br>register*   | Output disabled   |
|               |               |               | 1                             |  | Initial output is 0 output<br>0 output at compare match             |
|               |               | 1             | 0                             |  | Initial output is 0 output<br>1 output at compare match             |
|               |               |               | 1                             |  | Initial output is 0 output<br>Toggle output at compare match        |
|               | 1             | 0             | 0                             | Output disabled  |   |
|               |               |               | 1                             | Initial output is 1 output<br>0 output at compare match                                      |   |
|               |               | 1             | 0                             | Initial output is 1 output<br>1 output at compare match                                      |   |
|               |               |               | 1                             | Initial output is 1 output<br>Toggle output at compare match                                 |   |
| 1             | 0             | 0             | Input<br>capture<br>register* | Capture input source is TIOCC3 pin<br>Input capture at rising edge                           |   |
|               |               |               |                               | 1  | Capture input source is TIOCC3 pin<br>Input capture at falling edge |
|               |               | 1             |                               | ×  | Capture input source is TIOCC3 pin<br>Input capture at both edges   |
|               | 1             | ×             | ×                             | Capture input source is channel 4/count clock<br>Input capture at TCNT_4 count-up/count-down |   |

Legend: ×: Don't care

Note: \* When the BFA bit in TMDR\_3 is set to 1 and TGRC\_3 is used as a buffer register, this setting is invalid and input capture/output compare is not generated.

Table 11.26 TIOR\_4

| Bit 3<br>IOA3 | Bit 2<br>IOA2 | Bit 1<br>IOA1 | Bit 0<br>IOA0 | Description                   |  |   |
|---------------|---------------|---------------|---------------|-------------------------------|--|---|
|               |               |               |               | TGRA_4<br>Function            | TIOCA4 Pin Function  |   |
| 0             | 0             | 0             | 0             | Output<br>compare<br>register | Output disabled  |   |
|               |               |               | 1             |                               | Initial output is 0 output<br>0 output at compare match            |   |
|               |               |               | 1             |                               | Initial output is 0 output<br>1 output at compare match            |   |
|               |               | 1             | 0             |                               | Initial output is 0 output<br>Toggle output at compare match       |   |
|               |               |               | 1             |                               | Output disabled  |   |
|               |               |               | 1             |                               | Initial output is 1 output<br>0 output at compare match            |   |
|               | 1             | 0             | 0             | Input<br>capture<br>register  | Initial output is 1 output<br>1 output at compare match            |   |
|               |               |               | 1             |                               | Initial output is 1 output<br>Toggle output at compare match       |   |
|               |               |               | 1             |                               | Capture input source is TIOCA4 pin<br>Input capture at rising edge |   |
|               |               | 1             | ×             |                               | 0  | Capture input source is TIOCA4 pin<br>Input capture at falling edge   |
|               |               |               |               |                               | 1  | Capture input source is TIOCA4 pin<br>Input capture at both edges   |
|               |               |               |               |                               | 1  | Capture input source is TGRA_3 compare<br>match/input capture<br>Input capture at generation of TGRA_3 compare<br>match/input capture |

Legend: ×: Don't care

Table 11.27 TIOR\_5

| Bit 3<br>IOA3 | Bit 2<br>IOA2 | Bit 1<br>IOA1 | Bit 0<br>IOA0 | Description                   |  |   |
|---------------|---------------|---------------|---------------|-------------------------------|--|---|
|               |               |               |               | TGRA_5<br>Function            | TIOCA5 Pin Function  |   |
| 0             | 0             | 0             | 0             | Output<br>compare<br>register | Output disabled  |   |
|               |               |               | 1             |                               | Initial output is 0 output<br>0 output at compare match            |   |
|               |               |               | 1             |                               | Initial output is 0 output<br>1 output at compare match            |   |
|               |               | 1             | 0             |                               | Initial output is 0 output<br>Toggle output at compare match       |   |
|               |               |               | 1             |                               | Output disabled  |   |
|               |               |               | 1             |                               | Initial output is 1 output<br>0 output at compare match            |   |
|               | 1             | 0             | 0             | Input<br>capture<br>register  | Initial output is 1 output<br>1 output at compare match            |   |
|               |               |               | 1             |                               | Initial output is 1 output<br>Toggle output at compare match       |   |
|               |               |               | 1             |                               | Input capture source is TIOCA5 pin<br>Input capture at rising edge |   |
|               |               | 1             | 0             |                               | 0  | Input capture source is TIOCA5 pin<br>Input capture at falling edge |
|               |               |               |               |                               | 1  | Input capture source is TIOCA5 pin<br>Input capture at both edges   |
|               |               |               |               |                               | ×  | Input capture source is TIOCA5 pin<br>Input capture at both edges   |

Legend: ×: Don't care

### 11.3.4 Timer Interrupt Enable Register (TIER)

TIER registers control enabling or disabling of interrupt requests for each channel. The TPU has six TIER registers, one for each channel.

| Bit | Bit Name | Initial value | R/W | Description   |
|-----|----------|---------------|-----|---|
| 7   | TTGE     | 0             | R/W | <p>A/D Conversion Start Request Enable</p> <p>Enables or disables generation of A/D conversion start requests by TGRA input capture/compare match.</p> <p>0: A/D conversion start request generation disabled<br/>1: A/D conversion start request generation enabled</p>  |
| 6   | —        | 1             | —   | <p>Reserved</p> <p>This bit is always read as 1 and cannot be modified.</p>   |
| 5   | TCIEU    | 0             | R/W | <p>Underflow Interrupt Enable</p> <p>Enables or disables interrupt requests (TCIU) by the TCFU flag when the TCFU flag in TSR is set to 1 in channels 1, 2, 4, and 5.</p> <p>In channels 0 and 3, bit 5 is reserved. It is always read as 0 and cannot be modified.</p> <p>0: Interrupt requests (TCIU) by TCFU disabled<br/>1: Interrupt requests (TCIU) by TCFU enabled</p>   |
| 4   | TCIEV    | 0             | R/W | <p>Overflow Interrupt Enable</p> <p>Enables or disables interrupt requests (TCIV) by the TCFV flag when the TCFV flag in TSR is set to 1.</p> <p>0: Interrupt requests (TCIV) by TCFV disabled<br/>1: Interrupt requests (TCIV) by TCFV enabled</p>   |
| 3   | TGIED    | 0             | R/W | <p>TGR Interrupt Enable D</p> <p>Enables or disables interrupt requests (TGID) by the TGFD bit when the TGFD bit in TSR is set to 1 in channels 0 and 3.</p> <p>In channels 1, 2, 4, and 5, bit 3 is reserved. It is always read as 0 and cannot be modified.</p> <p>0: Interrupt requests (TGID) by TGFD bit disabled<br/>1: Interrupt requests (TGID) by TGFD bit enabled</p> |



| Bit | Bit Name | Initial value | R/W | Description  |
|-----|----------|---------------|-----|--|
| 2   | TGIEC    | 0             | R/W | <p>TGR Interrupt Enable C</p> <p>Enables or disables interrupt requests (TGIC) by the TGFC bit when the TGFC bit in TSR is set to 1 in channels 0 and 3.</p> <p>In channels 1, 2, 4, and 5, bit 2 is reserved. It is always read as 0 and cannot be modified.</p> <p>0: Interrupt requests (TGIC) by TGFC bit disabled</p> <p>1: Interrupt requests (TGIC) by TGFC bit enabled</p> |
| 1   | TGIEB    | 0             | R/W | <p>TGR Interrupt Enable B</p> <p>Enables or disables interrupt requests (TGIB) by the TGFB bit when the TGFB bit in TSR is set to 1.</p> <p>0: Interrupt requests (TGIB) by TGFB bit disabled</p> <p>1: Interrupt requests (TGIB) by TGFB bit enabled</p>  |
| 0   | TGIEA    | 0             | R/W | <p>TGR Interrupt Enable A</p> <p>Enables or disables interrupt requests (TGIA) by the TGFA bit when the TGFA bit in TSR is set to 1.</p> <p>0: Interrupt requests (TGIA) by TGFA bit disabled</p> <p>1: Interrupt requests (TGIA) by TGFA bit enabled</p>  |

### 11.3.5 Timer Status Register (TSR)

TSR registers indicate the status of each channel. The TPU has six TSR registers, one for each channel.

| Bit | Bit Name | Initial value | R/W    | Description   |
|-----|----------|---------------|--------|---|
| 7   | TCFD     | 1             | R      | Count Direction Flag<br>Status flag that shows the direction in which TCNT counts in channels 1, 2, 4, and 5.<br>In channels 0 and 3, bit 7 is reserved. It is always read as 1 and cannot be modified.<br>0: TCNT counts down<br>1: TCNT counts up   |
| 6   | —        | 1             | —      | Reserved<br>This bit is always read as 1 and cannot be modified.  |
| 5   | TCFU     | 0             | R/(W)* | Underflow Flag<br>Status flag that indicates that TCNT underflow has occurred when channels 1, 2, 4, and 5 are set to phase counting mode.<br>In channels 0 and 3, bit 5 is reserved. It is always read as 0 and cannot be modified.<br>[Setting condition]<br>When the TCNT value underflows (changes from H'0000 to H'FFFF)<br>[Clearing condition]<br>When 0 is written to TCFU after reading TCFU = 1 |
| 4   | TCFV     | 0             | R/(W)* | Overflow Flag<br>Status flag that indicates that TCNT overflow has occurred.<br>[Setting condition]<br>When the TCNT value overflows (changes from H'FFFF to H'0000)<br>[Clearing condition]<br>When 0 is written to TCFV after reading TCFV = 1  |

| Bit | Bit Name | Initial value | R/W    | Description  |
|-----|----------|---------------|--------|--|
| 3   | TGFD     | 0             | R/(W)* | <p>Input Capture/Output Compare Flag D</p> <p>Status flag that indicates the occurrence of TGRD input capture or compare match in channels 0 and 3.</p> <p>In channels 1, 2, 4, and 5, bit 3 is reserved. It is always read as 0 and cannot be modified.</p> <p>[Setting conditions]</p> <ul style="list-style-type: none"> <li>When TCNT = TGRD while TGRD is functioning as output compare register</li> <li>When TCNT value is transferred to TGRD by input capture signal while TGRD is functioning as input capture register</li> </ul> <p>[Clearing conditions]</p> <ul style="list-style-type: none"> <li>When DTC is activated by TGID interrupt while DISEL bit of MRB in DTC is 0</li> <li>When 0 is written to TGFD after reading TGFD = 1</li> </ul> |
| 2   | TGFC     | 0             | R/(W)* | <p>Input Capture/Output Compare Flag C</p> <p>Status flag that indicates the occurrence of TGRC input capture or compare match in channels 0 and 3.</p> <p>In channels 1, 2, 4, and 5, bit 2 is reserved. It is always read as 0 and cannot be modified.</p> <p>[Setting conditions]</p> <ul style="list-style-type: none"> <li>When TCNT = TGRC while TGRC is functioning as output compare register</li> <li>When TCNT value is transferred to TGRC by input capture signal while TGRC is functioning as input capture register</li> </ul> <p>[Clearing conditions]</p> <ul style="list-style-type: none"> <li>When DTC is activated by TGIC interrupt while DISEL bit of MRB in DTC is 0</li> <li>When 0 is written to TGFC after reading TGFC = 1</li> </ul> |

| Bit | Bit Name | Initial value | R/W    | Description  |
|-----|----------|---------------|--------|--|
| 1   | TGFB     | 0             | R/(W)* | <p>Input Capture/Output Compare Flag B</p> <p>Status flag that indicates the occurrence of TGRB input capture or compare match.</p> <p>[Setting conditions]</p> <ul style="list-style-type: none"> <li>• When TCNT = TGRB while TGRB is functioning as output compare register</li> <li>• When TCNT value is transferred to TGRB by input capture signal while TGRB is functioning as input capture register</li> </ul> <p>[Clearing conditions]</p> <ul style="list-style-type: none"> <li>• When DTC is activated by TGIB interrupt while DISEL bit of MRB in DTC is 0</li> <li>• When 0 is written to TGFB after reading TGFB = 1</li> </ul>  |
| 0   | TGFA     | 0             | R/(W)* | <p>Input Capture/Output Compare Flag A</p> <p>Status flag that indicates the occurrence of TGRA input capture or compare match.</p> <p>[Setting conditions]</p> <p>When TCNT = TGRA while TGRA is functioning as output compare register</p> <p>When TCNT value is transferred to TGRA by input capture signal while TGRA is functioning as input capture register</p> <p>[Clearing conditions]</p> <ul style="list-style-type: none"> <li>• When DTC is activated by TGIA interrupt while DISEL bit of MRB in DTC is 0</li> <li>• When DMAC is activated by TGIA interrupt while DTE bit of DMABCR in DTC is 0</li> <li>• When 0 is written to TGFA after reading TGFA = 1</li> </ul> |

Note: \* Only 0 can be written, for flag clearing.

### 11.3.6 Timer Counter (TCNT)

The TCNT registers are 16-bit readable/writable counters. The TPU has six TCNT counters, one for each channel.

The TCNT counters are initialized to H'0000 by a reset, or in hardware standby mode.

The TCNT counters cannot be accessed in 8-bit units; they must always be accessed as a 16-bit unit.

### 11.3.7 Timer General Register (TGR)

The TGR registers are 16-bit readable/writable registers with a dual function as output compare and input capture registers. The TPU has 16 TGR registers, four each for channels 0 and 3 and two each for channels 1, 2, 4, and 5. TGRC and TGRD for channels 0 and 3 can also be designated for operation as buffer registers. The TGR registers cannot be accessed in 8-bit units; they must always be accessed as a 16-bit unit. TGR buffer register combinations are TGRA–TGRC and TGRB–TGRD.

### 11.3.8 Timer Start Register (TSTR)

TSTR selects operation/stoppage for channels 0 to 5. When setting the operating mode in TMDR or setting the count clock in TCR, first stop the TCNT counter.

| Bit  | Bit Name | Initial value | R/W | Description  |
|------|----------|---------------|-----|--|
| 7, 6 | —        | All 0         | —   | Reserved<br>The write value should always be 0.  |
| 5    | CST5     | 0             | R/W | Counter Start 5 to 0   |
| 4    | CST4     | 0             | R/W | These bits select operation or stoppage for TCNT.<br>If 0 is written to the CST bit during operation with the TIOC pin designated for output, the counter stops but the TIOC pin output compare output level is retained.<br>If TIOR is written to when the CST bit is cleared to 0, the pin output level will be changed to the set initial output value.<br>0: TCNT_5 to TCNT_0 count operation is stopped<br>1: TCNT_5 to TCNT_0 performs count operation |
| 3    | CST3     | 0             | R/W |  |
| 2    | CST2     | 0             | R/W |  |
| 1    | CST1     | 0             | R/W |  |
| 0    | CST0     | 0             | R/W |  |

### 11.3.9 Timer Synchronous Register (TSYR)

TSYR selects independent operation or synchronous operation for the TCNT counters of channels 0 to 5. A channel performs synchronous operation when the corresponding bit in TSYR is set to 1.

| Bit  | Bit Name | Initial value | R/W | Description   |
|------|----------|---------------|-----|---|
| 7, 6 | —        | —             | R/W | Reserved<br>The write value should always be 0.   |
| 5    | SYNC5    | 0             | R/W | Timer Synchronization 5 to 0  |
| 4    | SYNC4    | 0             | R/W | These bits select whether operation is independent of or synchronized with other channels.  |
| 3    | SYNC3    | 0             | R/W |   |
| 2    | SYNC2    | 0             | R/W | When synchronous operation is selected, synchronous presetting of multiple channels, and synchronous clearing through counter clearing on another channel are possible.<br><br>To set synchronous operation, the SYNC bits for at least two channels must be set to 1. To set synchronous clearing, in addition to the SYNC bit, the TCNT clearing source must also be set by means of bits CCLR2 to CCLR0 in TCR.<br><br>0: TCNT_5 to TCNT_0 operates independently (TCNT presetting /clearing is unrelated to other channels)<br><br>1: TCNT_5 to TCNT_0 performs synchronous operation (TCNT synchronous presetting/ synchronous clearing is possible) |
| 1    | SYNC1    | 0             | R/W |   |
| 0    | SYNC0    | 0             | R/W |   |

## 11.4 Operation

### 11.4.1 Basic Functions

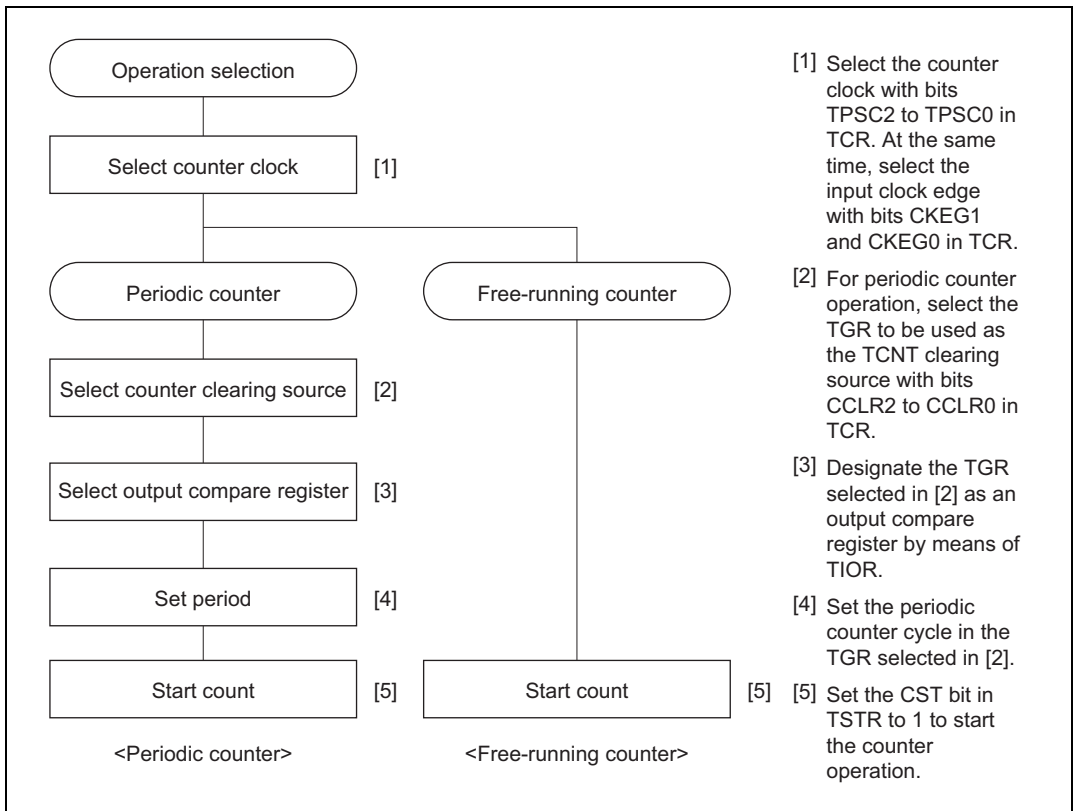
Each channel has a TCNT and TGR register. TCNT performs up-counting, and is also capable of free-running operation, periodic counting, and external event counting.

Each TGR can be used as an input capture register or output compare register.

**Counter Operation:** When one of bits CST0 to CST5 is set to 1 in TSTR, the TCNT counter for the corresponding channel starts counting. TCNT can operate as a free-running counter, periodic counter, and so on.

#### 1. Example of count operation setting procedure

Figure 11.2 shows an example of the count operation setting procedure.

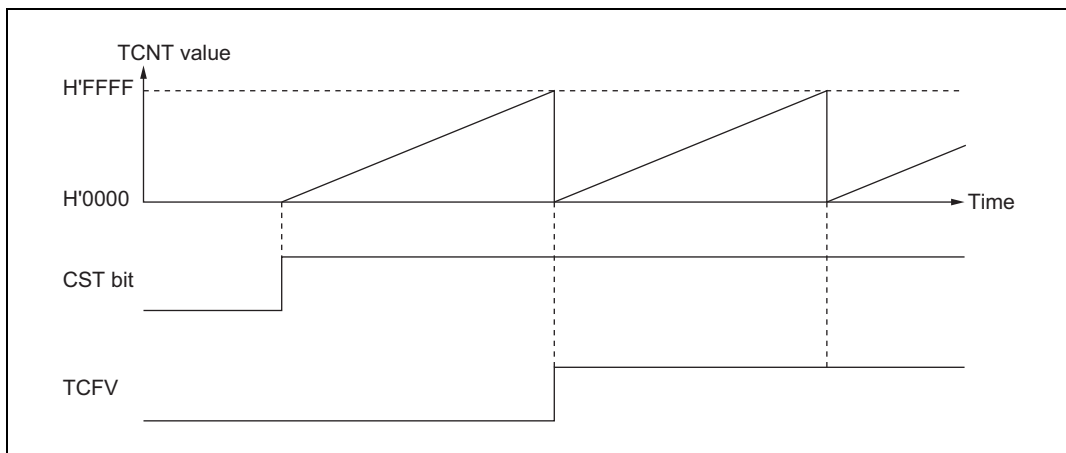


**Figure 11.2 Example of Counter Operation Setting Procedure**

## 2. Free-running count operation and periodic count operation

Immediately after a reset, the TPU's TCNT counters are all designated as free-running counters. When the relevant bit in TSTR is set to 1 the corresponding TCNT counter starts up-count operation as a free-running counter. When TCNT overflows (changes from H'FFFF to H'0000), the TCFV bit in TSR is set to 1. If the value of the corresponding TCIEV bit in TIER is 1 at this point, the TPU requests an interrupt. After overflow, TCNT starts counting up again from H'0000.

Figure 11.3 illustrates free-running counter operation.



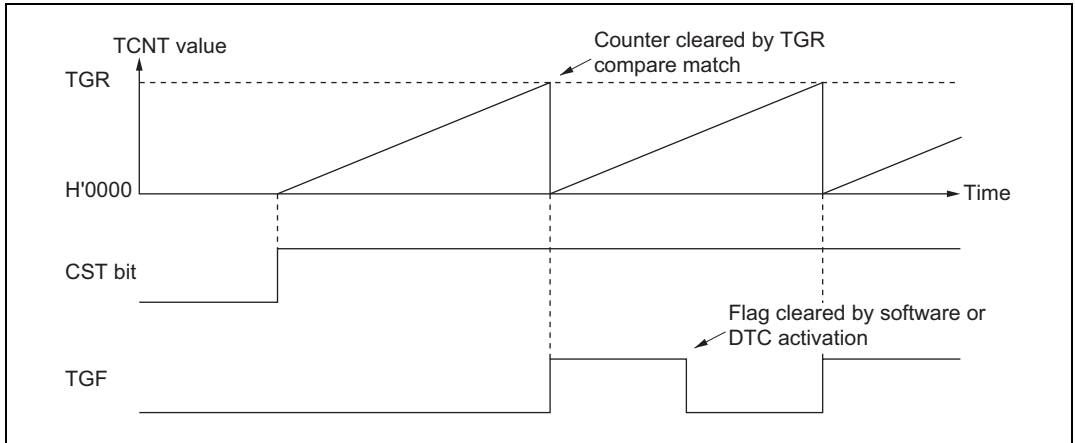
**Figure 11.3 Free-Running Counter Operation**

When compare match is selected as the TCNT clearing source, the TCNT counter for the relevant channel performs periodic count operation. The TGR register for setting the period is designated as an output compare register, and counter clearing by compare match is selected by means of bits CCLR2 to CCLR0 in TCR. After the settings have been made, TCNT starts count-up operation as a periodic counter when the corresponding bit in TSTR is set to 1. When the count value matches the value in TGR, the TGF bit in TSR is set to 1 and TCNT is cleared to H'0000.

If the value of the corresponding TGIE bit in TIER is 1 at this point, the TPU requests an interrupt. After a compare match, TCNT starts counting up again from H'0000.

Figure 11.4 illustrates periodic counter operation.

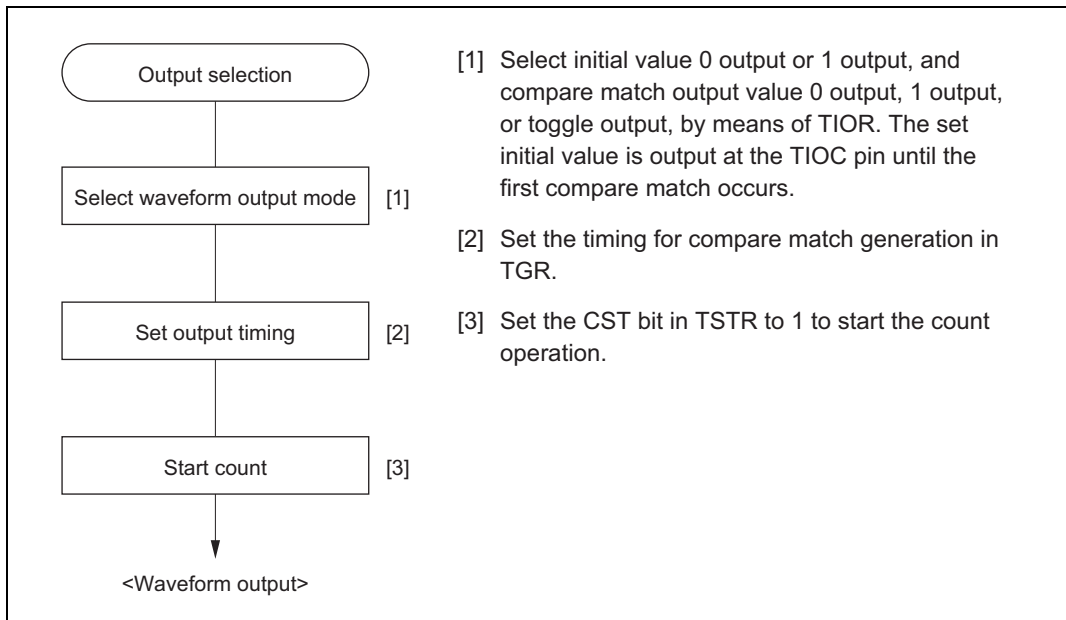


**Figure 11.4 Periodic Counter Operation**

**Waveform Output by Compare Match:** The TPU can perform 0, 1, or toggle output from the corresponding output pin using a compare match.

1. Example of setting procedure for waveform output by compare match

Figure 11.5 shows an example of the setting procedure for waveform output by a compare match.

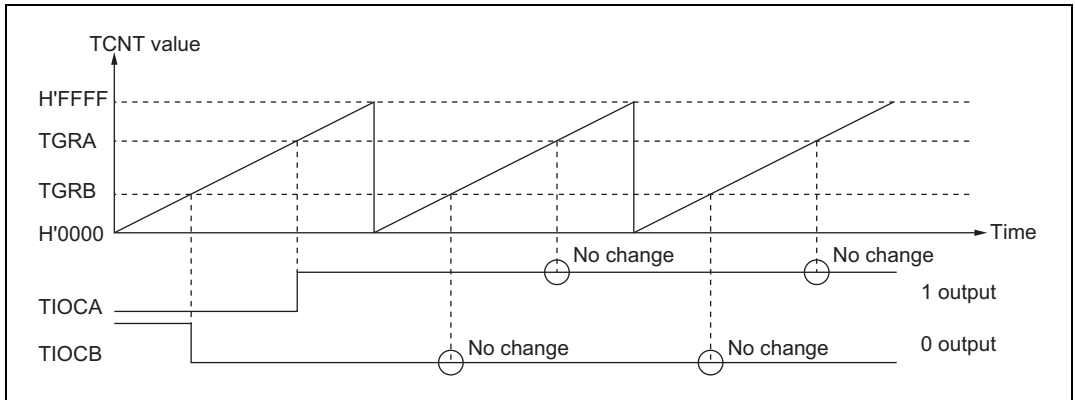


**Figure 11.5 Example of Setting Procedure for Waveform Output by Compare Match**

## 2. Examples of waveform output operation

Figure 11.6 shows an example of 0 output/1 output.

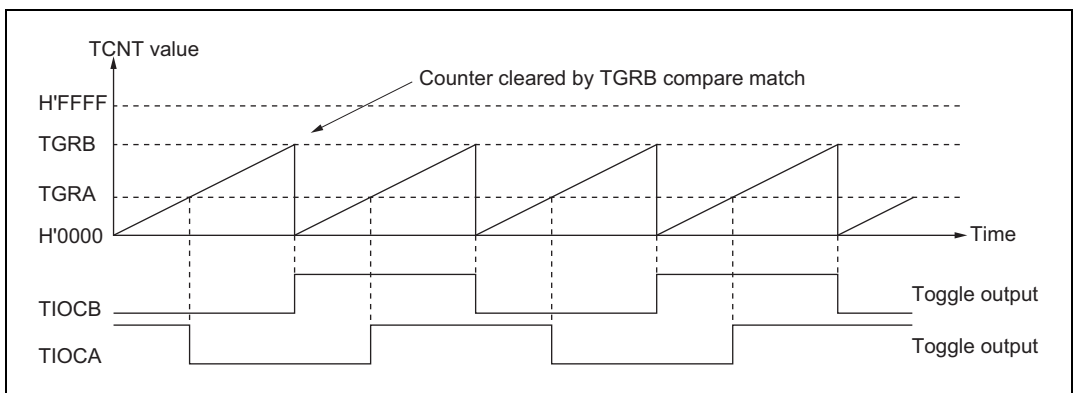
In this example, TCNT has been designated as a free-running counter, and settings have been made so that 1 is output by compare match A, and 0 is output by compare match B. When the set level and the pin level match, the pin level does not change.



**Figure 11.6 Example of 0 Output/1 Output Operation**

Figure 11.7 shows an example of toggle output.

In this example TCNT has been designated as a periodic counter (with counter clearing performed by compare match B), and settings have been made so that output is toggled by both compare match A and compare match B.



**Figure 11.7 Example of Toggle Output Operation**

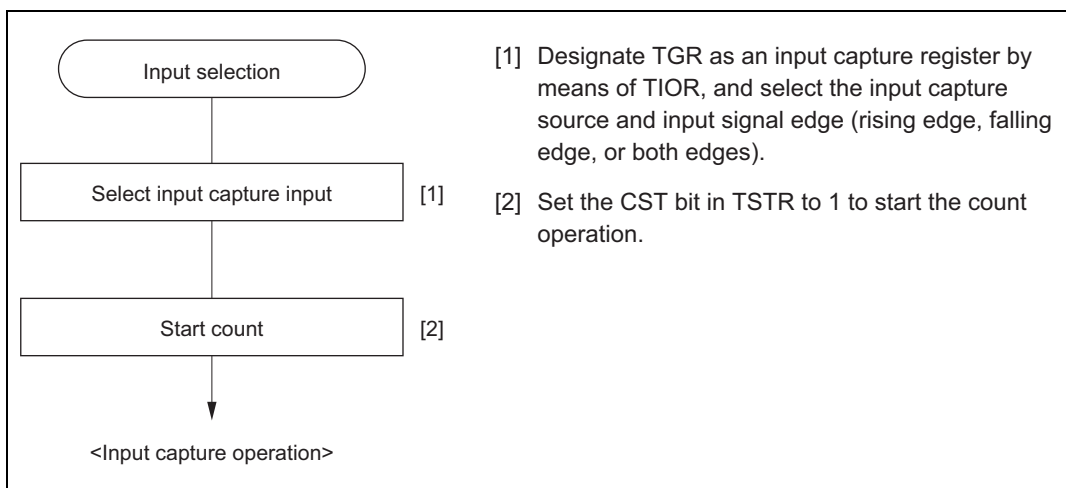
**Input Capture Function:** The TCNT value can be transferred to TGR on detection of the TIOC pin input edge.

Rising edge, falling edge, or both edges can be selected as the detection edge. For channels 0, 1, 3, and 4, it is also possible to specify another channel's counter input clock or compare match signal as the input capture source.

**Note:** When another channel's counter input clock is used as the input capture input for channels 0 and 3,  $\phi/1$  should not be selected as the counter input clock used for input capture input. Input capture will not be generated if  $\phi/1$  is selected.

#### 1. Example of setting procedure for input capture operation

Figure 11.8 shows an example of the setting procedure for input capture operation.

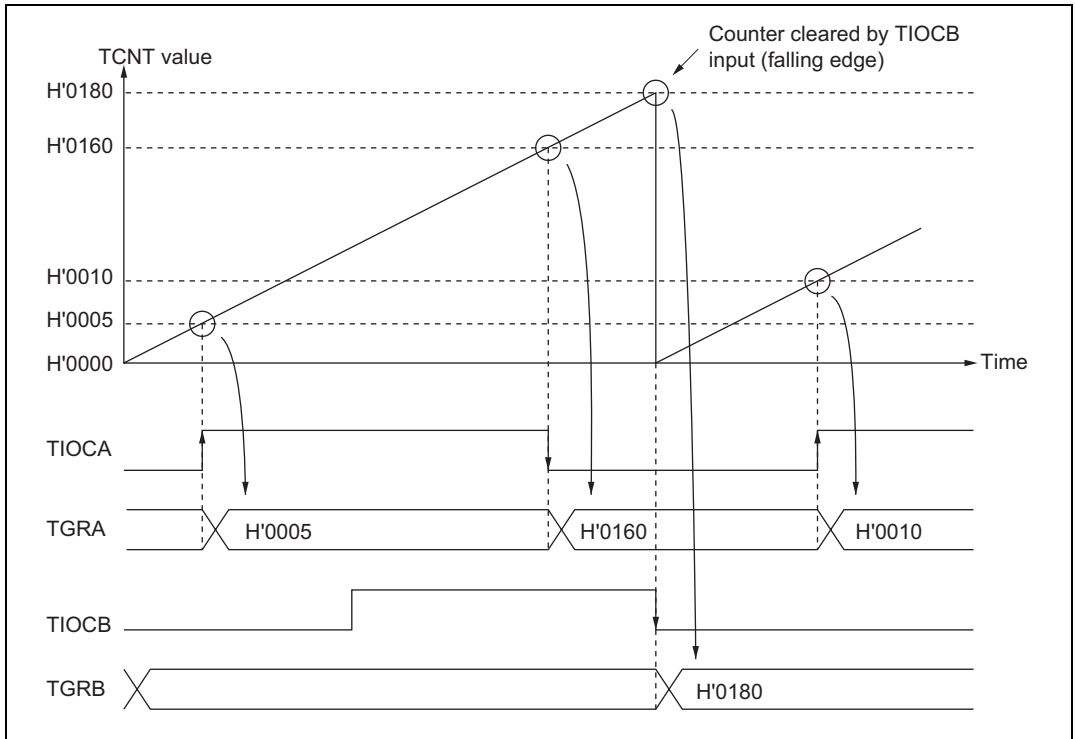


**Figure 11.8 Example of Setting Procedure for Input Capture Operation**

## 2. Example of input capture operation

Figure 11.9 shows an example of input capture operation.

In this example both rising and falling edges have been selected as the TIOCA pin input capture input edge, falling edge has been selected as the TIOCB pin input capture input edge, and counter clearing by TGRB input capture has been designated for TCNT.



**Figure 11.9 Example of Input Capture Operation**

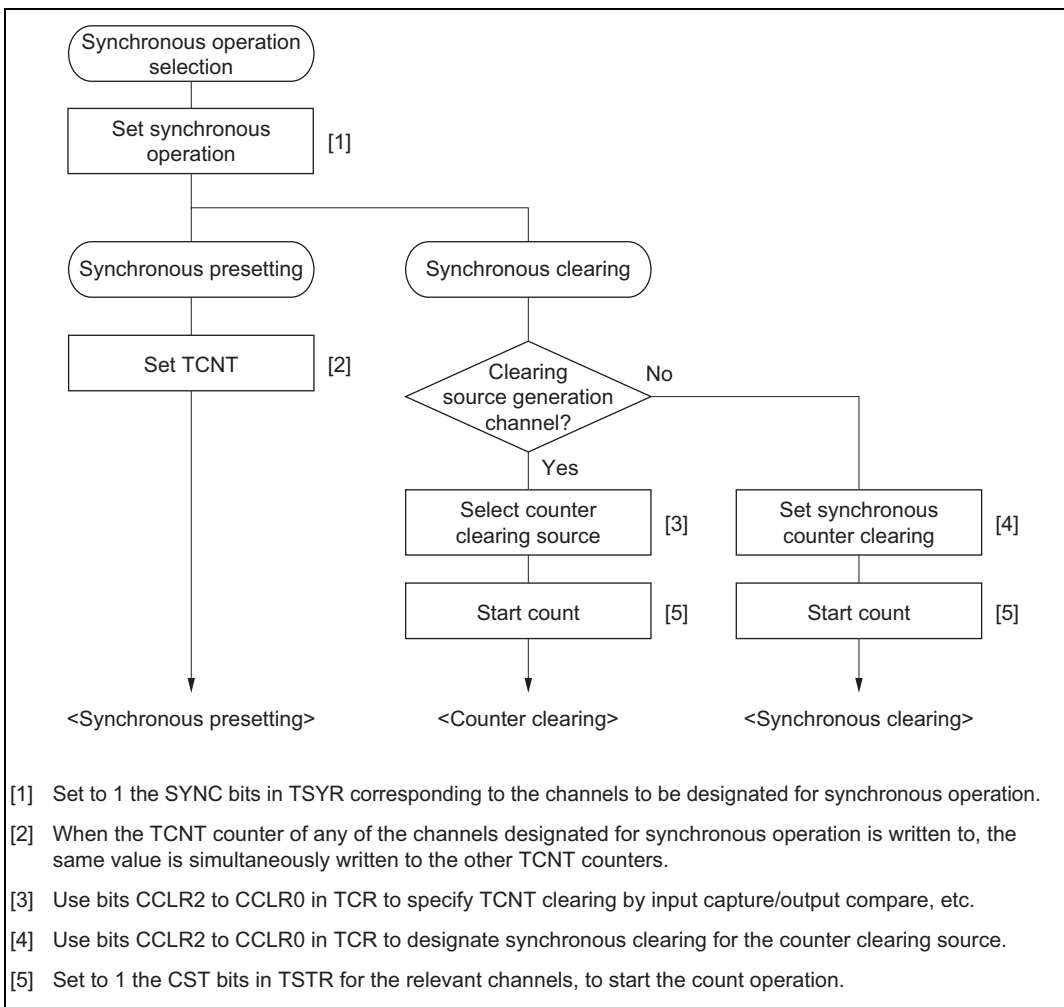
### 11.4.2 Synchronous Operation

In synchronous operation, the values in multiple TCNT counters can be rewritten simultaneously (synchronous presetting). Also, multiple of TCNT counters can be cleared simultaneously (synchronous clearing) by making the appropriate setting in TCR.

Synchronous operation enables TGR to be incremented with respect to a single time base.

Channels 0 to 5 can all be designated for synchronous operation.

**Example of Synchronous Operation Setting Procedure:** Figure 11.10 shows an example of the synchronous operation setting procedure.



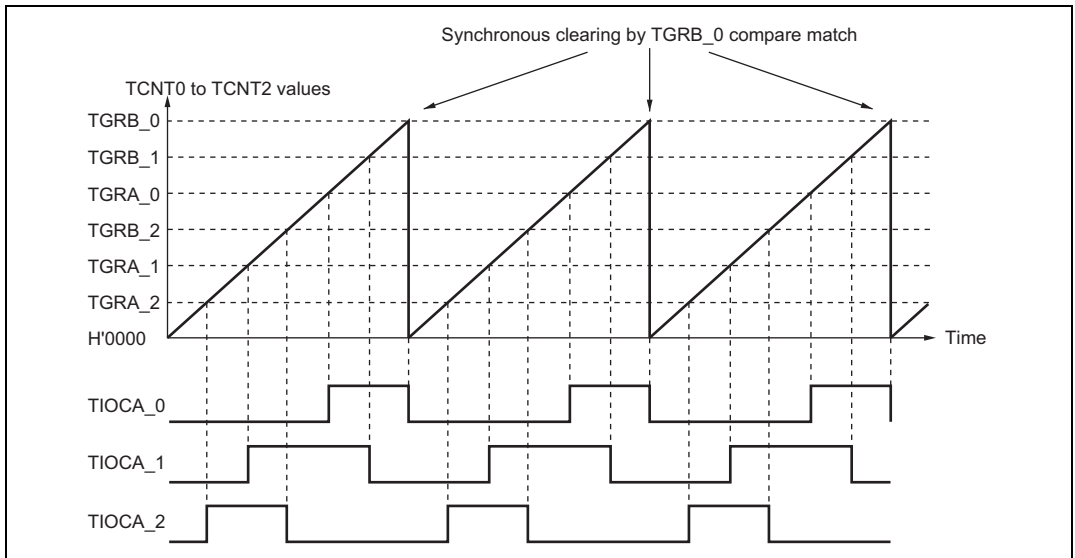
**Figure 11.10 Example of Synchronous Operation Setting Procedure**

**Example of Synchronous Operation:** Figure 11.11 shows an example of synchronous operation.

In this example, synchronous operation and PWM mode 1 have been designated for channels 0 to 2, TGRB\_0 compare match has been set as the channel 0 counter clearing source, and synchronous clearing has been set for the channel 1 and 2 counter clearing source.

Three-phase PWM waveforms are output from pins TIOCA0, TIOCA1, and TIOCA2. At this time, synchronous presetting, and synchronous clearing by TGRB\_0 compare match, is performed for channel 0 to 2 TCNT counters, and the data set in TGRB\_0 is used as the PWM cycle.

For details on PWM modes, see section 11.4.5, PWM Modes.



**Figure 11.11 Example of Synchronous Operation**

### 11.4.3 Buffer Operation

Buffer operation, provided for channels 0 and 3, enables TGRC and TGRD to be used as buffer registers.

Buffer operation differs depending on whether TGR has been designated as an input capture register or a compare match register.

Table 11.28 shows the register combinations used in buffer operation.

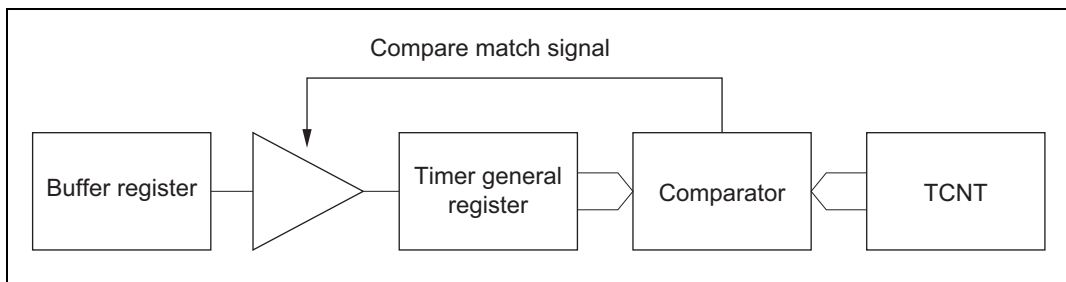
**Table 11.28 Register Combinations in Buffer Operation**

| Channel | Timer General Register | Buffer Register |
|---------|------------------------|-----------------|
| 0       | TGRA_0                 | TGRC_0          |
|         | TGRB_0                 | TGRD_0          |
| 3       | TGRA_3                 | TGRC_3          |
|         | TGRB_3                 | TGRD_3          |

- When TGR is an output compare register

When a compare match occurs, the value in the buffer register for the corresponding channel is transferred to the timer general register.

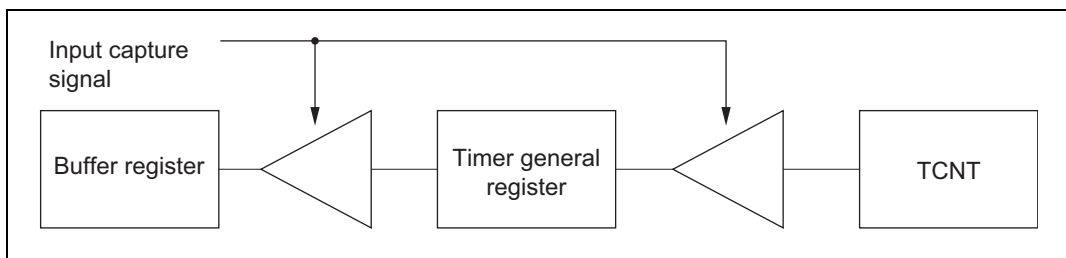
This operation is illustrated in figure 11.12.

**Figure 11.12 Compare Match Buffer Operation**

- When TGR is an input capture register

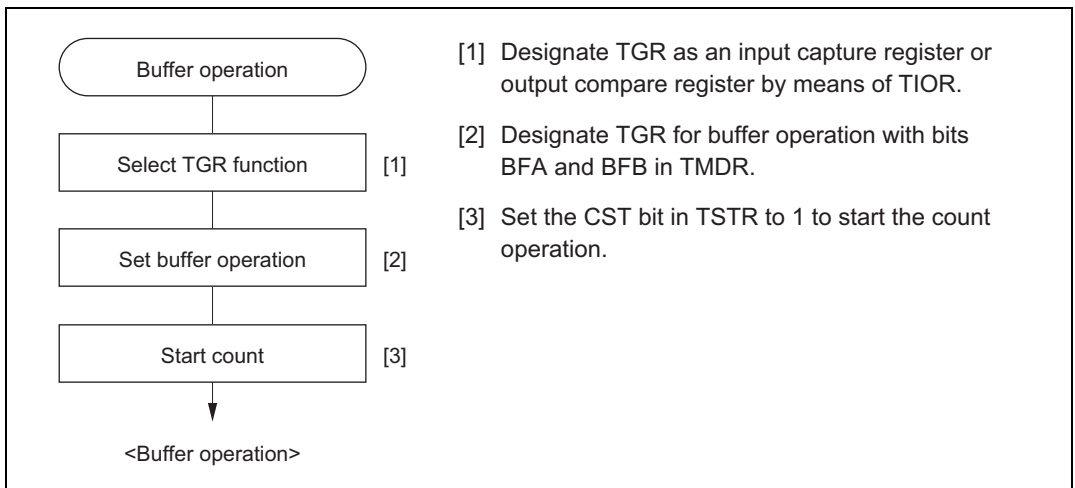
When input capture occurs, the value in TCNT is transferred to TGR and the value previously held in the timer general register is transferred to the buffer register.

This operation is illustrated in figure 11.13.

**Figure 11.13 Input Capture Buffer Operation**



**Example of Buffer Operation Setting Procedure:** Figure 11.14 shows an example of the buffer operation setting procedure.



**Figure 11.14 Example of Buffer Operation Setting Procedure**

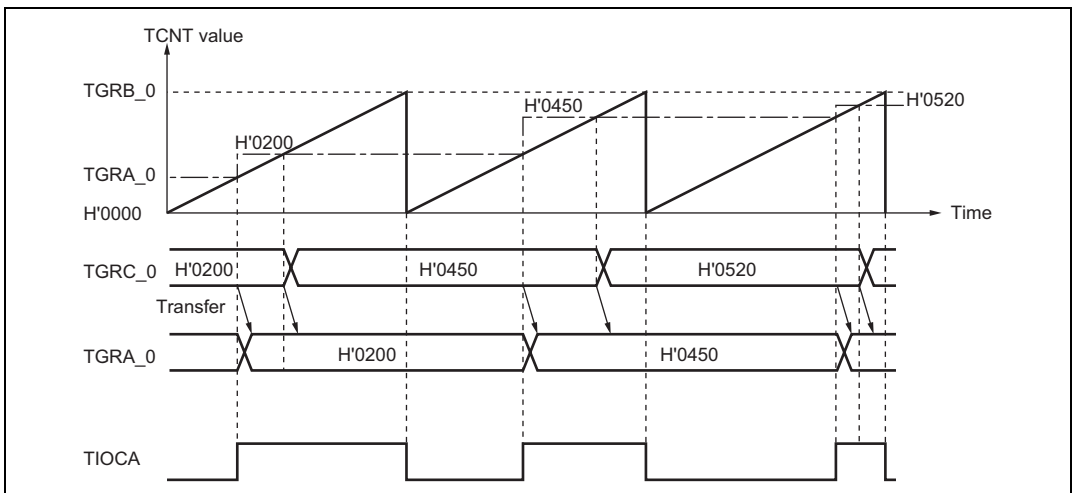
**Examples of Buffer Operation:**

## 1. When TGR is an output compare register

Figure 11.15 shows an operation example in which PWM mode 1 has been designated for channel 0, and buffer operation has been designated for TGRA and TGRC. The settings used in this example are TCNT clearing by compare match B, 1 output at compare match A, and 0 output at compare match B.

As buffer operation has been set, when compare match A occurs the output changes and the value in buffer register TGRC is simultaneously transferred to timer general register TGRA. This operation is repeated each time compare match A occurs.

For details on PWM modes, see section 11.4.5, PWM Modes.



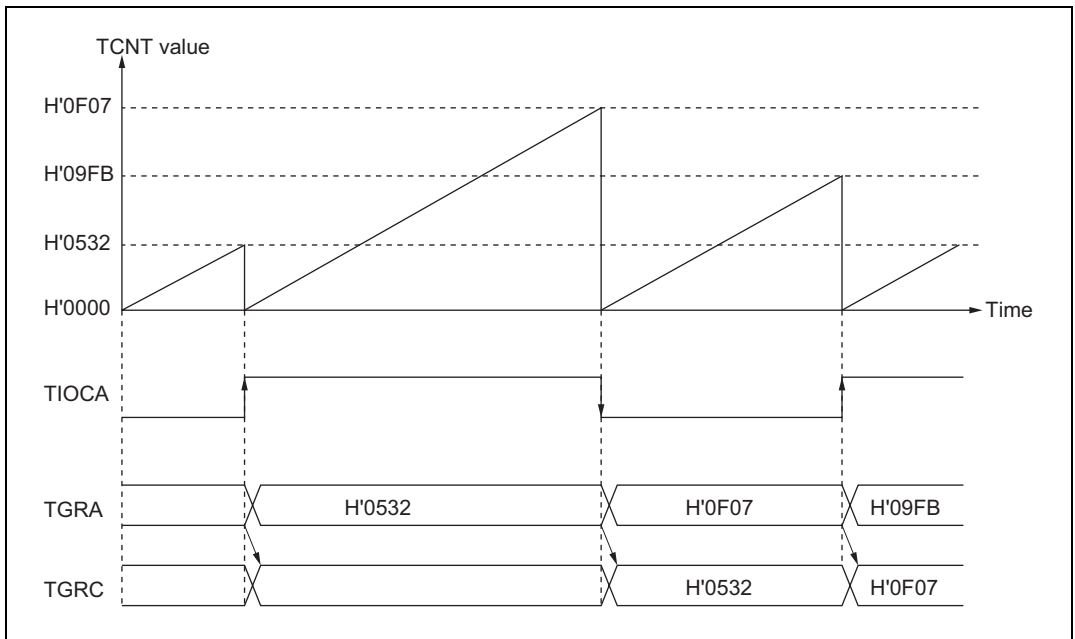
**Figure 11.15 Example of Buffer Operation (1)**

## 2. When TGR is an input capture register

Figure 11.16 shows an operation example in which TGRA has been designated as an input capture register, and buffer operation has been designated for TGRA and TGRC.

Counter clearing by TGRA input capture has been set for TCNT, and both rising and falling edges have been selected as the TIOCA pin input capture input edge.

As buffer operation has been set, when the TCNT value is stored in TGRA upon occurrence of input capture A, the value previously stored in TGRA is simultaneously transferred to TGRC.



**Figure 11.16 Example of Buffer Operation (2)**

### 11.4.4 Cascaded Operation

In cascaded operation, two 16-bit counters for different channels are used together as a 32-bit counter.

This function works by counting the channel 1 (channel 4) counter clock at overflow/underflow of TCNT\_2 (TCNT\_5) as set in bits TPSC2 to TPSC0 in TCR.

Underflow occurs only when the lower 16-bit TCNT is in phase-counting mode.

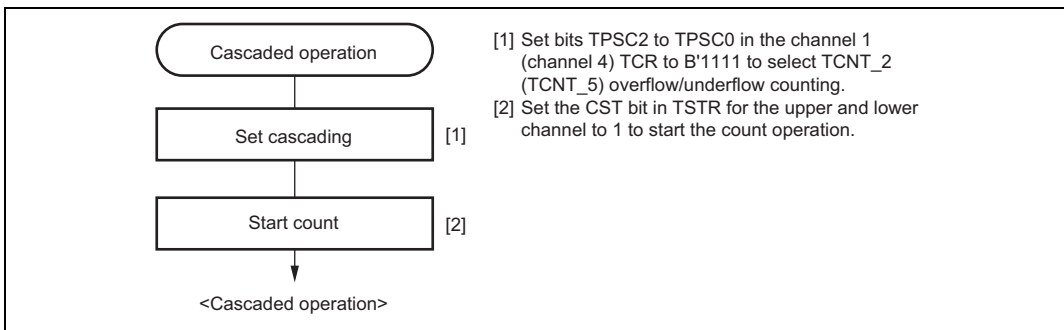
Table 11.29 shows the register combinations used in cascaded operation.

Note: When phase counting mode is set for channel 1 or 4, the counter clock setting is invalid and the counter operates independently in phase counting mode.

**Table 11.29 Cascaded Combinations**

| Combination      | Upper 16 Bits | Lower 16 Bits |
|------------------|---------------|---------------|
| Channels 1 and 2 | TCNT_1        | TCNT_2        |
| Channels 4 and 5 | TCNT_4        | TCNT_5        |

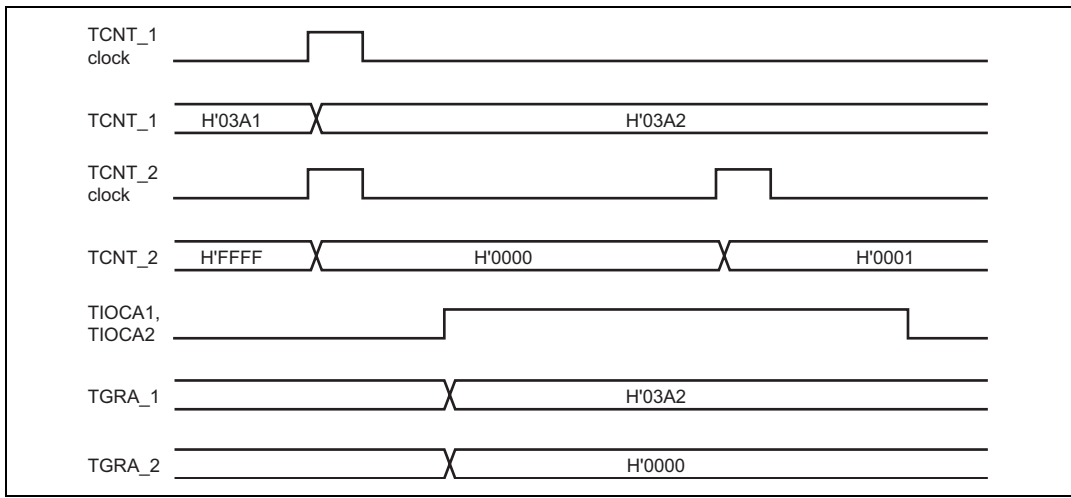
**Example of Cascaded Operation Setting Procedure:** Figure 11.17 shows an example of the setting procedure for cascaded operation.



**Figure 11.17 Cascaded Operation Setting Procedure**

**Examples of Cascaded Operation:** Figure 11.18 illustrates the operation when counting upon TCNT\_2 overflow/underflow has been set for TCNT\_1, TGRA\_1 and TGRA\_2 have been designated as input capture registers, and the TIOC pin rising edge has been selected.

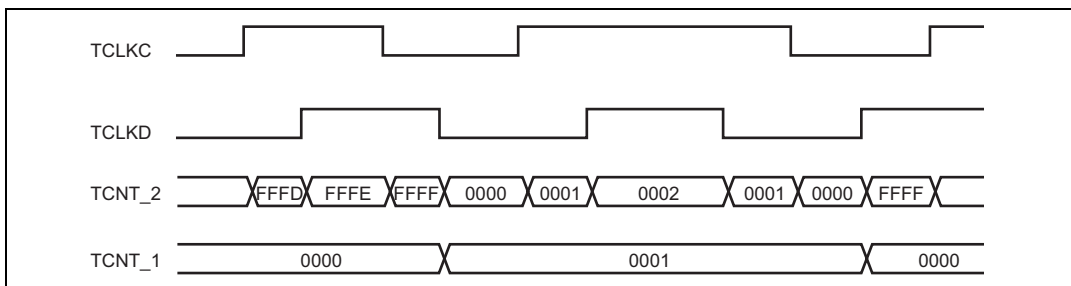
When a rising edge is input to the TIOCA1 and TIOCA2 pins simultaneously, the upper 16 bits of the 32-bit data are transferred to TGRA\_1, and the lower 16 bits to TGRA\_2.



**Figure 11.18 Example of Cascaded Operation (1)**

Figure 11.19 illustrates the operation when counting upon TCNT\_2 overflow/underflow has been set for TCNT\_1, and phase counting mode has been designated for channel 2.

TCNT\_1 is incremented by TCNT\_2 overflow and decremented by TCNT\_2 underflow.



**Figure 11.19 Example of Cascaded Operation (2)**

### 11.4.5 PWM Modes

In PWM mode, PWM waveforms are output from the output pins. 0, 1, or toggle output can be selected as the output level in response to compare match of each TGR.

Settings of TGR registers can output a PWM waveform in the range of 0-% to 100-% duty cycle.

Designating TGR compare match as the counter clearing source enables the cycle to be set in that register. All channels can be designated for PWM mode independently. Synchronous operation is also possible.

There are two PWM modes, as described below.

- PWM mode 1

PWM output is generated from the TIOCA and TIOCC pins by pairing TGRA with TGRB and TGRC with TGRD. The outputs specified by bits IOA3 to IOA0 and IOC3 to IOC0 in TIOR are output from the TIOCA and TIOCC pins at compare matches A and C, respectively. The outputs specified by bits IOB3 to IOB0 and IOD3 to IOD0 in TIOR are output at compare matches B and D, respectively. The initial output value is the value set in TGRA or TGRC. If the set values of paired TGRs are identical, the output value does not change when a compare match occurs.

In PWM mode 1, a maximum 8-phase PWM output is possible.

- PWM mode 2

PWM output is generated using one TGR as the cycle register and the others as duty cycle registers. The output specified in TIOR is performed by means of compare matches. Upon counter clearing by a synchronization register compare match, the output value of each pin is the initial value set in TIOR. If the set values of the cycle and duty cycle registers are identical, the output value does not change when a compare match occurs.

In PWM mode 2, a maximum 15-phase PWM output is possible by combined use with synchronous operation.

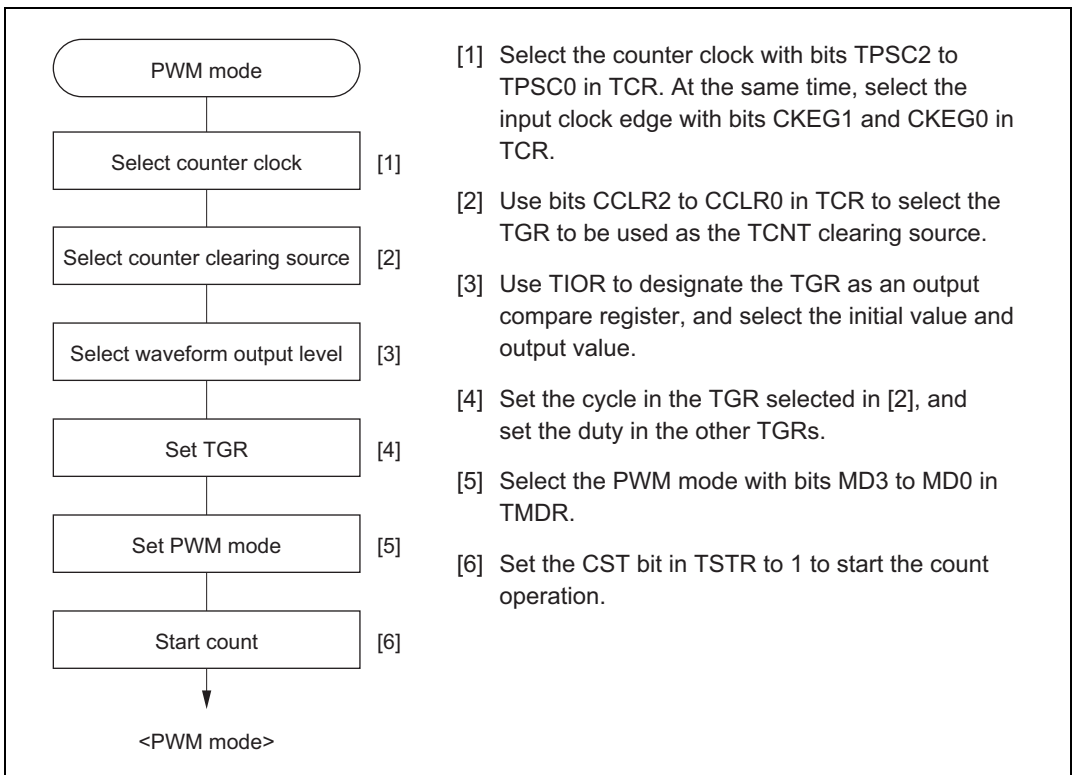
The correspondence between PWM output pins and registers is shown in table 11.30.

Table 11.30 PWM Output Registers and Output Pins

| Channel | Registers | Output Pins |            |
|---------|-----------|-------------|------------|
|         |           | PWM Mode 1  | PWM Mode 2 |
| 0       | TGRA_0    | TIOCA0      | TIOCA0     |
|         | TGRB_0    |             | TIOCB0     |
|         | TGRC_0    | TIOCC0      | TIOCC0     |
|         | TGRD_0    |             | TIOCD0     |
| 1       | TGRA_1    | TIOCA1      | TIOCA1     |
|         | TGRB_1    |             | TIOCB1     |
| 2       | TGRA_2    | TIOCA2      | TIOCA2     |
|         | TGRB_2    |             | TIOCB2     |
| 3       | TGRA_3    | TIOCA3      | TIOCA3     |
|         | TGRB_3    |             | TIOCB3     |
|         | TGRC_3    | TIOCC3      | TIOCC3     |
|         | TGRD_3    |             | TIOCD3     |
| 4       | TGRA_4    | TIOCA4      | TIOCA4     |
|         | TGRB_4    |             | TIOCB4     |
| 5       | TGRA_5    | TIOCA5      | TIOCA5     |
|         | TGRB_5    |             | TIOCB5     |

Note: In PWM mode 2, PWM output is not possible for the TGR register in which the cycle is set.

**Example of PWM Mode Setting Procedure:** Figure 11.20 shows an example of the PWM mode setting procedure.



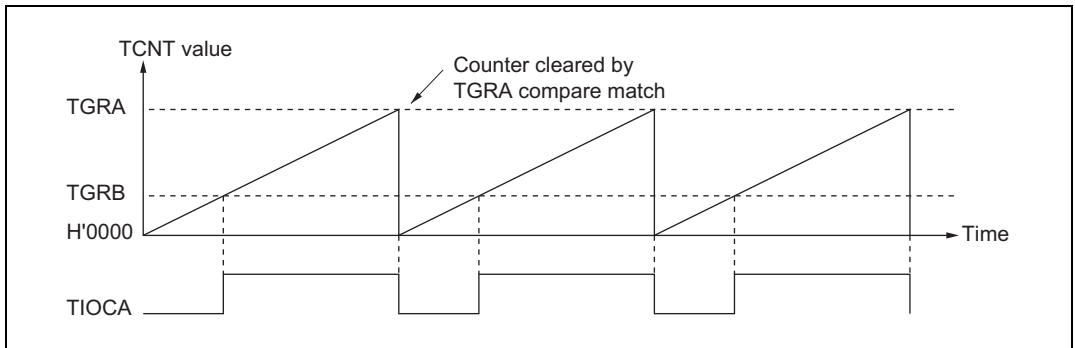
**Figure 11.20 Example of PWM Mode Setting Procedure**

**Examples of PWM Mode Operation:** Figure 11.21 shows an example of PWM mode 1 operation.

In this example, TGRA compare match is set as the TCNT clearing source, 0 is set for the TGRA initial output value and output value, and 1 is set as the TGRB output value.

In this case, the value set in TGRA is used as the cycle, and the values set in TGRB registers as the duty cycle.



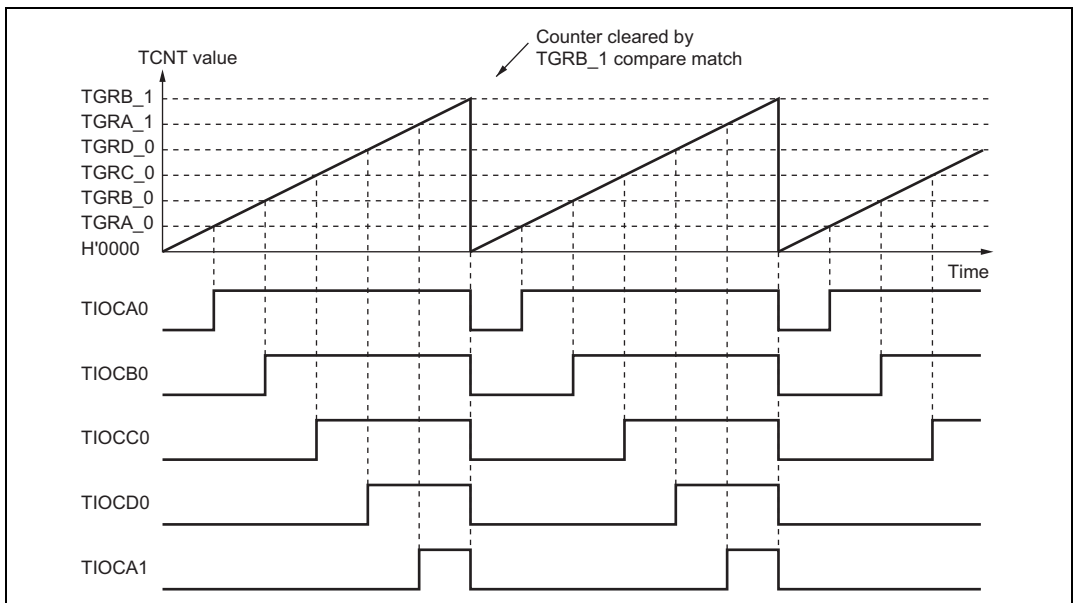


**Figure 11.21 Example of PWM Mode Operation (1)**

Figure 11.22 shows an example of PWM mode 2 operation.

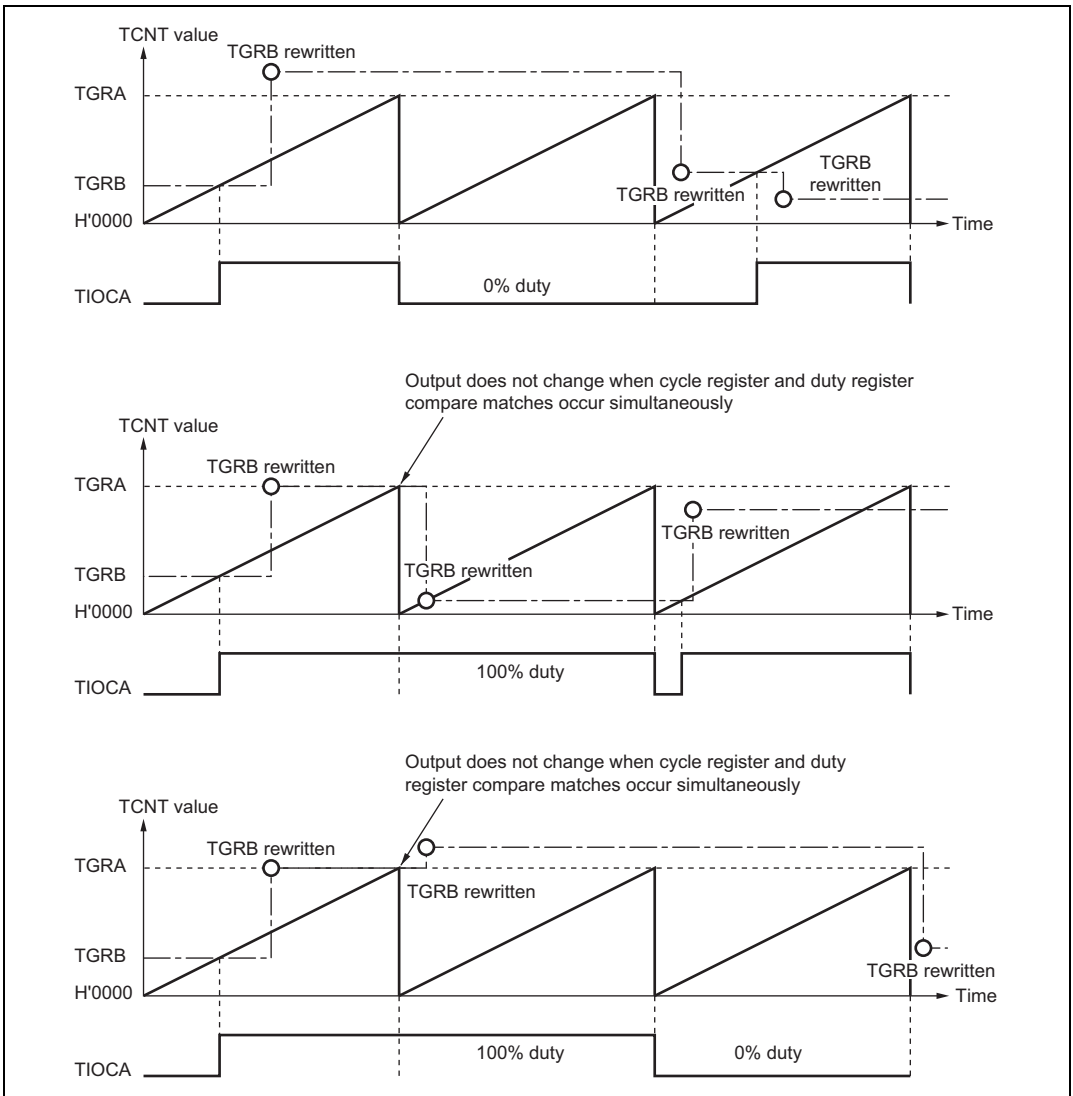
In this example, synchronous operation is designated for channels 0 and 1, TGRB\_1 compare match is set as the TCNT clearing source, and 0 is set for the initial output value and 1 for the output value of the other TGR registers (TGRA\_0 to TGRD\_0, TGRA\_1), to output a 5-phase PWM waveform.

In this case, the value set in TGRB\_1 is used as the cycle, and the values set in the other TGRs as the duty cycle.



**Figure 11.22 Example of PWM Mode Operation (2)**

Figure 11.23 shows examples of PWM waveform output with 0% duty cycle and 100% duty cycle in PWM mode.



**Figure 11.23 Example of PWM Mode Operation (3)**

### 11.4.6 Phase Counting Mode

In phase counting mode, the phase difference between two external clock inputs is detected and TCNT is incremented/decremented accordingly. This mode can be set for channels 1, 2, 4, and 5.

When phase counting mode is set, an external clock is selected as the counter input clock and TCNT operates as an up/down-counter regardless of the setting of bits TPSC2 to TPSC0 and bits CKEG1 and CKEG0 in TCR. However, the functions of bits CCLR1 and CCLR0 in TCR, and of TIOR, TIER, and TGR are valid, and input capture/compare match and interrupt functions can be used.

This can be used for two-phase encoder pulse input.

When overflow occurs while TCNT is counting up, the TCFV flag in TSR is set; when underflow occurs while TCNT is counting down, the TCFU flag is set.

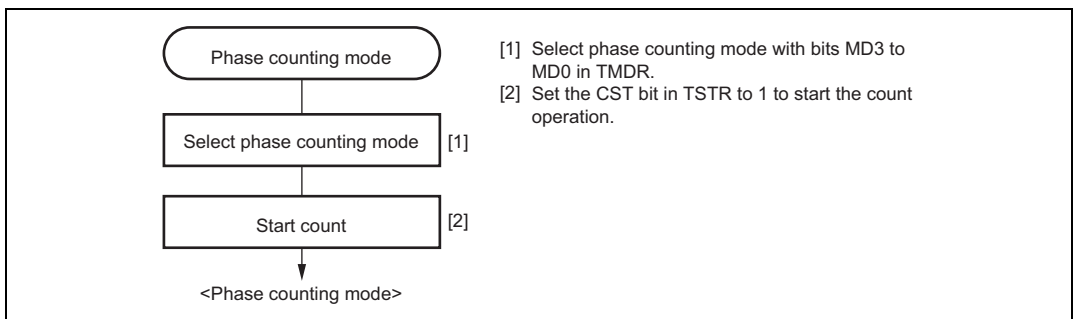
The TCFD bit in TSR is the count direction flag. Reading the TCFD flag provides an indication of whether TCNT is counting up or down.

Table 11.31 shows the correspondence between external clock pins and channels.

**Table 11.31 Clock Input Pins in Phase Counting Mode**

| Channels  | External Clock Pins |         |
|---|---------------------|---------|
|   | A-Phase             | B-Phase |
| When channel 1 or 5 is set to phase counting mode | TCLKA               | TCLKB   |
| When channel 2 or 4 is set to phase counting mode | TCLKC               | TCLKD   |

**Example of Phase Counting Mode Setting Procedure:** Figure 11.24 shows an example of the phase counting mode setting procedure.

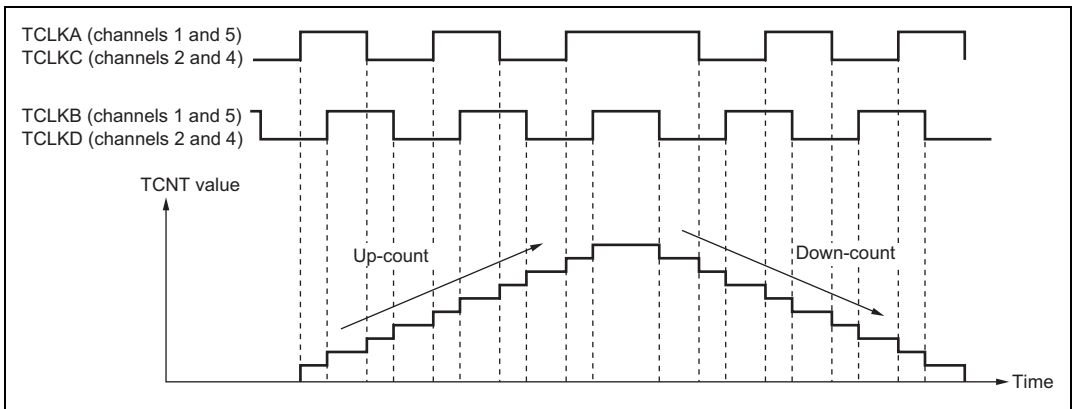


**Figure 11.24 Example of Phase Counting Mode Setting Procedure**

**Examples of Phase Counting Mode Operation:** In phase counting mode, TCNT counts up or down according to the phase difference between two external clocks. There are four modes, according to the count conditions.

### 1. Phase counting mode 1

Figure 11.25 shows an example of phase counting mode 1 operation, and table 11.32 summarizes the TCNT up/down-count conditions.



**Figure 11.25 Example of Phase Counting Mode 1 Operation**

**Table 11.32 Up/Down-Count Conditions in Phase Counting Mode 1**

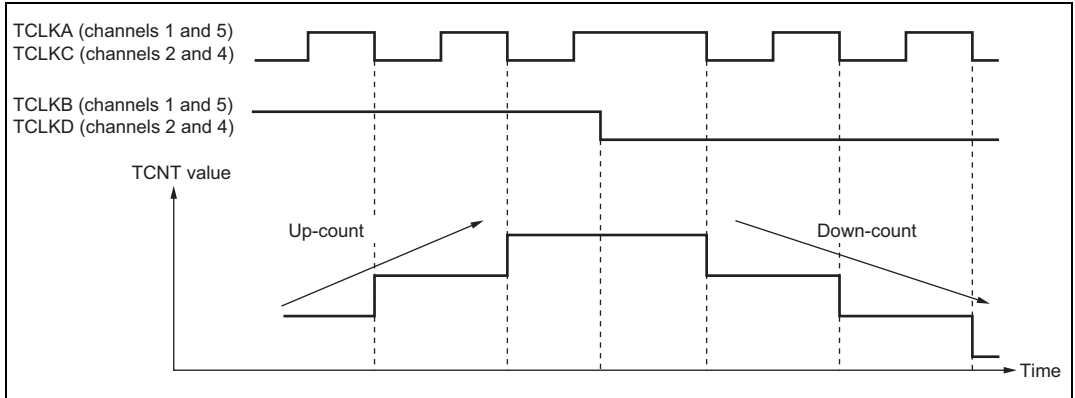
| TCLKA (Channels 1 and 5)<br>TCLKC (Channels 2 and 4) | TCLKB (Channels 1 and 5)<br>TCLKD (Channels 2 and 4) | Operation  |
|--|--|------------|
| High level   |  | Up-count   |
| Low level  |  |            |
|  | Low level  | Down-count |
|  | High level   |            |
| High level   |  | Down-count |
| Low level  |  |            |
|  | High level   | Up-count   |
|  | Low level  |            |

Legend:

: Rising edge  
 : Falling edge

## 2. Phase counting mode 2

Figure 11.26 shows an example of phase counting mode 2 operation, and table 11.33 summarizes the TCNT up/down-count conditions.



**Figure 11.26 Example of Phase Counting Mode 2 Operation**

**Table 11.33 Up/Down-Count Conditions in Phase Counting Mode 2**

| TCLKA (Channels 1 and 5)<br>TCLKC (Channels 2 and 4) | TCLKB (Channels 1 and 5)<br>TCLKD (Channels 2 and 4) | Operation  |
|--|--|------------|
| High level   |  | Don't care |
| Low level  |  | Don't care |
|  | Low level  | Don't care |
|  | High level   | Up-count   |
| High level   |  | Don't care |
| Low level  |  | Don't care |
|  | High level   | Don't care |
|  | Low level  | Down-count |

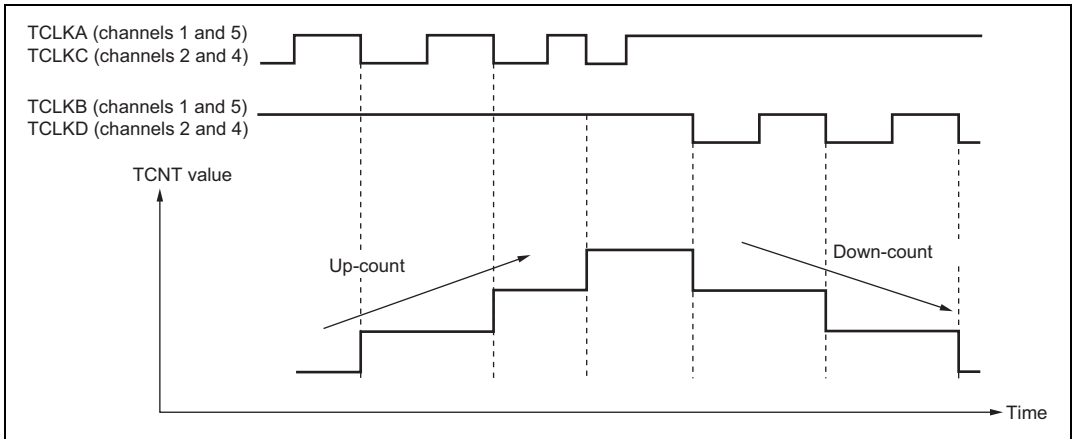
Legend:

: Rising edge

: Falling edge

## 3. Phase counting mode 3

Figure 11.27 shows an example of phase counting mode 3 operation, and table 11.34 summarizes the TCNT up/down-count conditions.



**Figure 11.27 Example of Phase Counting Mode 3 Operation**

**Table 11.34 Up/Down-Count Conditions in Phase Counting Mode 3**

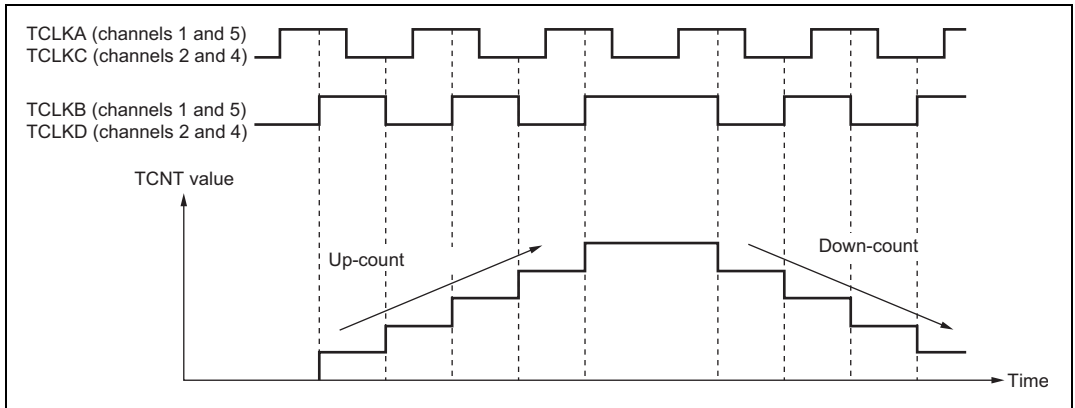
| TCLKA (Channels 1 and 5)<br>TCLKC (Channels 2 and 4) | TCLKB (Channels 1 and 5)<br>TCLKD (Channels 2 and 4) | Operation  |
|--|--|------------|
| High level   |  | Don't care |
| Low level  |  | Don't care |
|  | Low level  | Don't care |
|  | High level   | Up-count   |
| High level   |  | Down-count |
| Low level  |  | Don't care |
|  | High level   | Don't care |
|  | Low level  | Don't care |

Legend:

: Rising edge  
 : Falling edge

## 4. Phase counting mode 4

Figure 11.28 shows an example of phase counting mode 4 operation, and table 11.35 summarizes the TCNT up/down-count conditions.



**Figure 11.28 Example of Phase Counting Mode 4 Operation**

**Table 11.35 Up/Down-Count Conditions in Phase Counting Mode 4**

| TCLKA (Channels 1 and 5)<br>TCLKC (Channels 2 and 4) | TCLKB (Channels 1 and 5)<br>TCLKD (Channels 2 and 4) | Operation  |
|--|--|------------|
| High level   |  | Up-count   |
| Low level  |  | Up-count   |
|  | Low level  | Don't care |
|  | High level   | Don't care |
| High level   |  | Down-count |
| Low level  |  | Down-count |
|  | High level   | Don't care |
|  | Low level  | Don't care |

Legend:

: Rising edge  
 : Falling edge

**Phase Counting Mode Application Example:** Figure 11.29 shows an example in which phase counting mode is designated for channel 1, and channel 1 is coupled with channel 0 to input servo motor 2-phase encoder pulses in order to detect the position or speed.

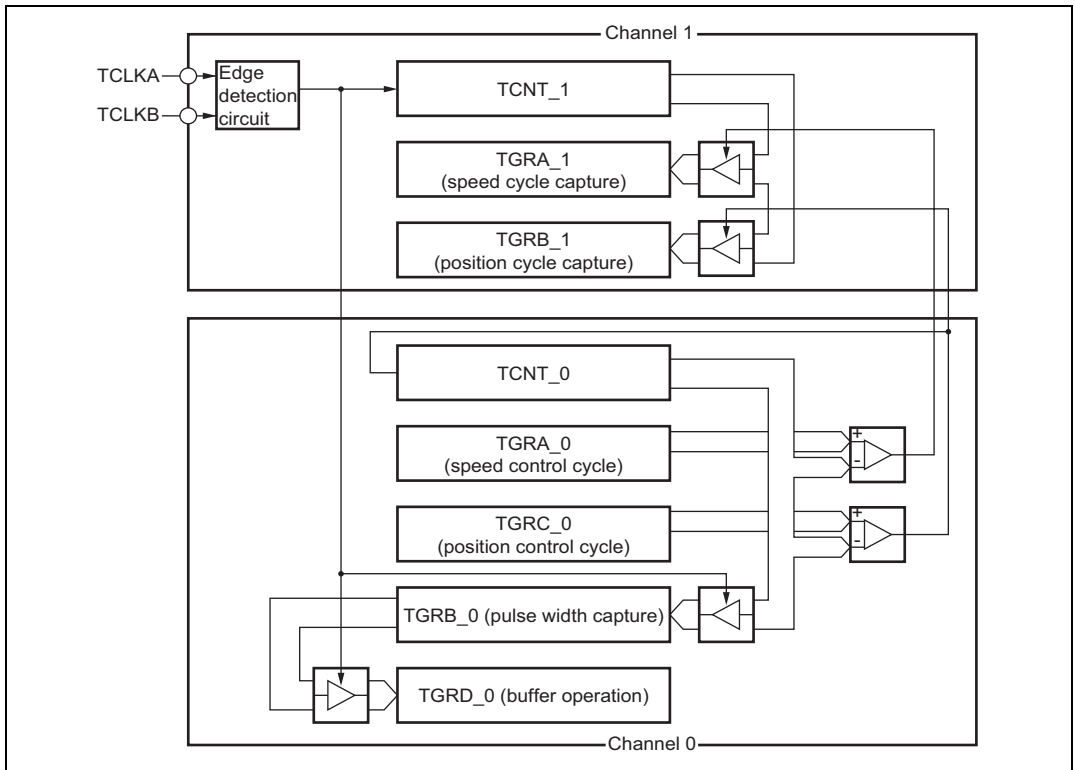
Channel 1 is set to phase counting mode 1, and the encoder pulse A-phase and B-phase are input to TCLKA and TCLKB.

Channel 0 operates with TCNT counter clearing by TGRC\_0 compare match; TGRA\_0 and TGRC\_0 are used for the compare match function, and are set with the speed control cycle and position control cycle. TGRB\_0 is used for input capture, with TGRB\_0 and TGRD\_0 operating in buffer mode. The channel 1 counter input clock is designated as the TGRB\_0 input capture source, and detection of the pulse width of 2-phase encoder 4-multiplication pulses is performed.

TGRA\_1 and TGRB\_1 for channel 1 are designated for input capture, channel 0 TGRA\_0 and TGRC\_0 compare matches are selected as the input capture source, and the up/down-counter values for the control cycles are stored.

This procedure enables accurate position/speed detection to be achieved.





**Figure 11.29 Phase Counting Mode Application Example**

## 11.5 Interrupt Sources

There are three kinds of TPU interrupt source: TGR input capture/compare match, TCNT overflow, and TCNT underflow. Each interrupt source has its own status flag and enable/disable bit, allowing generation of interrupt request signals to be enabled or disabled individually.

When an interrupt request is generated, the corresponding status flag in TSR is set to 1. If the corresponding enable/disable bit in TIER is set to 1 at this time, an interrupt is requested. The interrupt request is cleared by clearing the status flag to 0.

Relative channel priorities can be changed by the interrupt controller, but the priority order within a channel is fixed. For details, see section 5, Interrupt Controller.

Table 11.36 lists the TPU interrupt sources.

**Table 11.36 TPU Interrupts**

| Channel | Name  | Interrupt Source                   | Interrupt Flag | DTC Activation | DMAC Activation |
|---------|-------|------------------------------------|----------------|----------------|-----------------|
| 0       | TGI0A | TGRA_0 input capture/compare match | TGFA_0         | Possible       | Possible        |
|         | TGI0B | TGRB_0 input capture/compare match | TGFB_0         | Possible       | Not possible    |
|         | TGI0C | TGRC_0 input capture/compare match | TGFC_0         | Possible       | Not possible    |
|         | TGI0D | TGRD_0 input capture/compare match | TGFD_0         | Possible       | Not possible    |
|         | TGI0E | TCNT_0 overflow                    | TCFV_0         | Not possible   | Not possible    |
| 1       | TGI1A | TGRA_1 input capture/compare match | TGFA_1         | Possible       | Possible        |
|         | TGI1B | TGRB_1 input capture/compare match | TGFB_1         | Possible       | Not possible    |
|         | TCI1V | TCNT_1 overflow                    | TCFV_1         | Not possible   | Not possible    |
|         | TCI1U | TCNT_1 underflow                   | TCFU_1         | Not possible   | Not possible    |
| 2       | TGI2A | TGRA_2 input capture/compare match | TGFA_2         | Possible       | Possible        |
|         | TGI2B | TGRB_2 input capture/compare match | TGFB_2         | Possible       | Not possible    |
|         | TCI2V | TCNT_2 overflow                    | TCFV_2         | Not possible   | Not possible    |
|         | TCI2U | TCNT_2 underflow                   | TCFU_2         | Not possible   | Not possible    |
| 3       | TGI3A | TGRA_3 input capture/compare match | TGFA_3         | Possible       | Possible        |
|         | TGI3B | TGRB_3 input capture/compare match | TGFB_3         | Possible       | Not possible    |
|         | TGI3C | TGRC_3 input capture/compare match | TGFC_3         | Possible       | Not possible    |
|         | TGI3D | TGRD_3 input capture/compare match | TGFD_3         | Possible       | Not possible    |
|         | TCI3V | TCNT_3 overflow                    | TCFV_3         | Not possible   | Not possible    |
| 4       | TGI4A | TGRA_4 input capture/compare match | TGFA_4         | Possible       | Possible        |
|         | TGI4B | TGRB_4 input capture/compare match | TGFB_4         | Possible       | Not possible    |
|         | TCI4V | TCNT_4 overflow                    | TCFV_4         | Not possible   | Not possible    |
|         | TCI4U | TCNT_4 underflow                   | TCFU_4         | Not possible   | Not possible    |
| 5       | TGI5A | TGRA_5 input capture/compare match | TGFA_5         | Possible       | Possible        |
|         | TGI5B | TGRB_5 input capture/compare match | TGFB_5         | Possible       | Not possible    |
|         | TCI5V | TCNT_5 overflow                    | TCFV_5         | Not possible   | Not possible    |
|         | TCI5U | TCNT_5 underflow                   | TCFU_5         | Not possible   | Not possible    |

Note: This table shows the initial state immediately after a reset. The relative channel priorities can be changed by the interrupt controller.

**Input Capture/Compare Match Interrupt:** An interrupt is requested if the TGIE bit in TIER is set to 1 when the TGF flag in TSR is set to 1 by the occurrence of a TGR input capture/compare match on a particular channel. The interrupt request is cleared by clearing the TGF flag to 0. The TPU has 16 input capture/compare match interrupts, four each for channels 0 and 3, and two each for channels 1, 2, 4, and 5.

**Overflow Interrupt:** An interrupt is requested if the TCIEV bit in TIER is set to 1 when the TCFV flag in TSR is set to 1 by the occurrence of TCNT overflow on a channel. The interrupt request is cleared by clearing the TCFV flag to 0. The TPU has six overflow interrupts, one for each channel.

**Underflow Interrupt:** An interrupt is requested if the TCIEU bit in TIER is set to 1 when the TCFU flag in TSR is set to 1 by the occurrence of TCNT underflow on a channel. The interrupt request is cleared by clearing the TCFU flag to 0. The TPU has four underflow interrupts, one each for channels 1, 2, 4, and 5.

## 11.6 DTC Activation

The DTC can be activated by the TGR input capture/compare match interrupt for a channel. For details, see section 9, Data Transfer Controller (DTC).

A total of 16 TPU input capture/compare match interrupts can be used as DTC activation sources, four each for channels 0 and 3, and two each for channels 1, 2, 4, and 5.

## 11.7 DMAC Activation

The DMAC can be activated by the TGRA input capture/compare match interrupt for a channel. For details, see section 7, DMA Controller (DMAC).

In the TPU, a total of six TGRA input capture/compare match interrupts can be used as DMAC activation sources, one for each channel.

## 11.8 A/D Converter Activation

The A/D converter can be activated by the TGRA input capture/compare match for a channel.

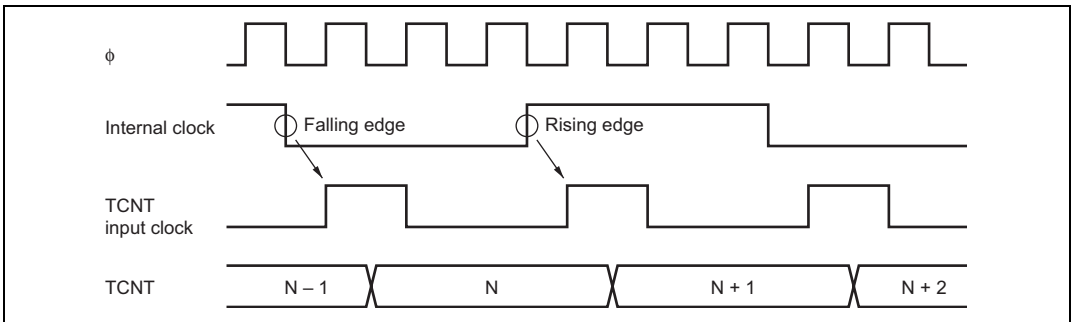
If the TTGE bit in TIER is set to 1 when the TGFA flag in TSR is set to 1 by the occurrence of a TGRA input capture/compare match on a particular channel, a request to start A/D conversion is sent to the A/D converter. If the TPU conversion start trigger has been selected on the A/D converter side at this time, A/D conversion is started.

In the TPU, a total of six TGRA input capture/compare match interrupts can be used as A/D converter conversion start sources, one for each channel.

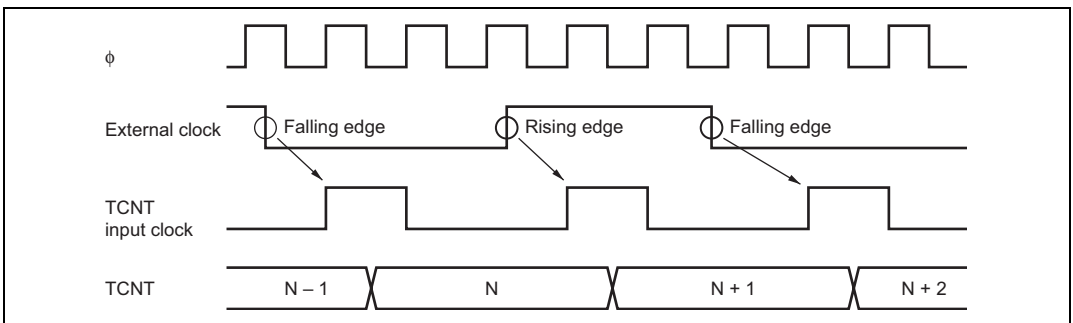
## 11.9 Operation Timing

### 11.9.1 Input/Output Timing

**TCNT Count Timing:** Figure 11.30 shows TCNT count timing in internal clock operation, and figure 11.31 shows TCNT count timing in external clock operation.



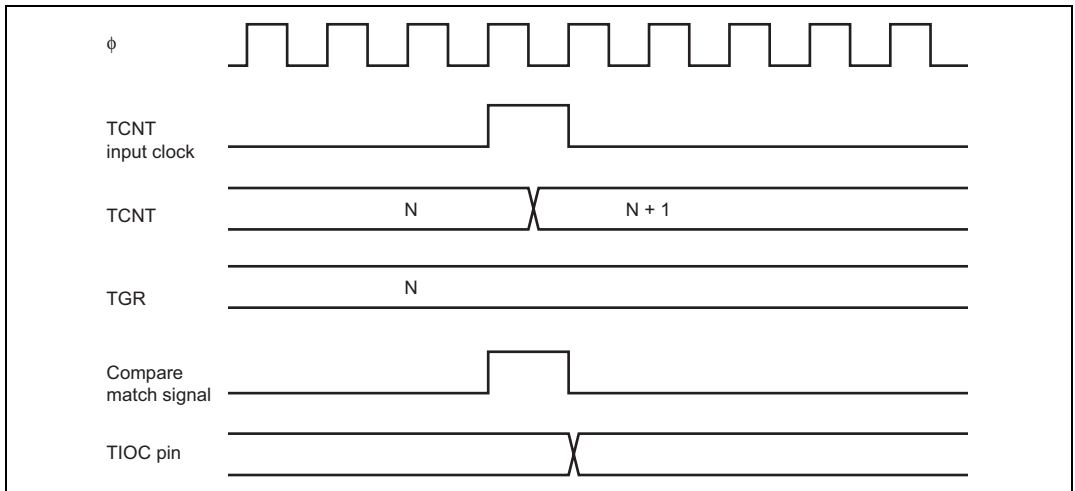
**Figure 11.30 Count Timing in Internal Clock Operation**



**Figure 11.31 Count Timing in External Clock Operation**

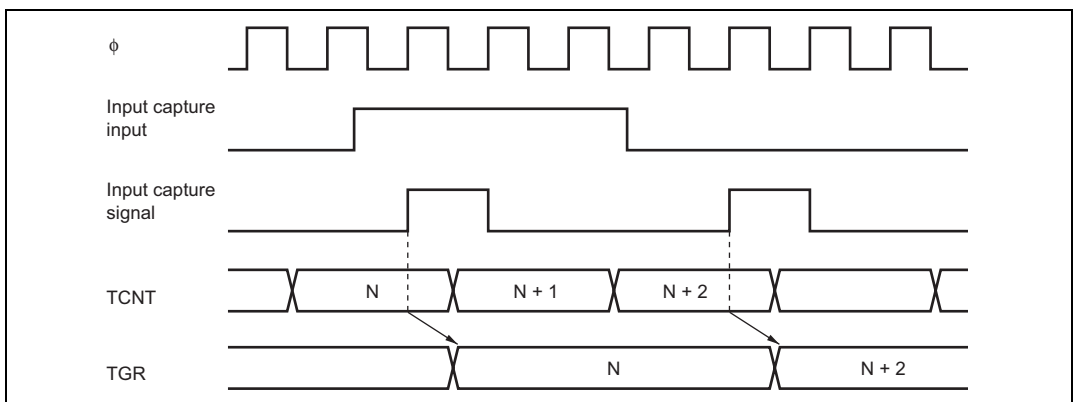
**Output Compare Output Timing:** A compare match signal is generated in the final state in which TCNT and TGR match (the point at which the count value matched by TCNT is updated). When a compare match signal is generated, the output value set in TIOR is output at the output compare output pin. After a match between TCNT and TGR, the compare match signal is not generated until the (TIOC pin) TCNT input clock is generated.

Figure 11.32 shows output compare output timing.



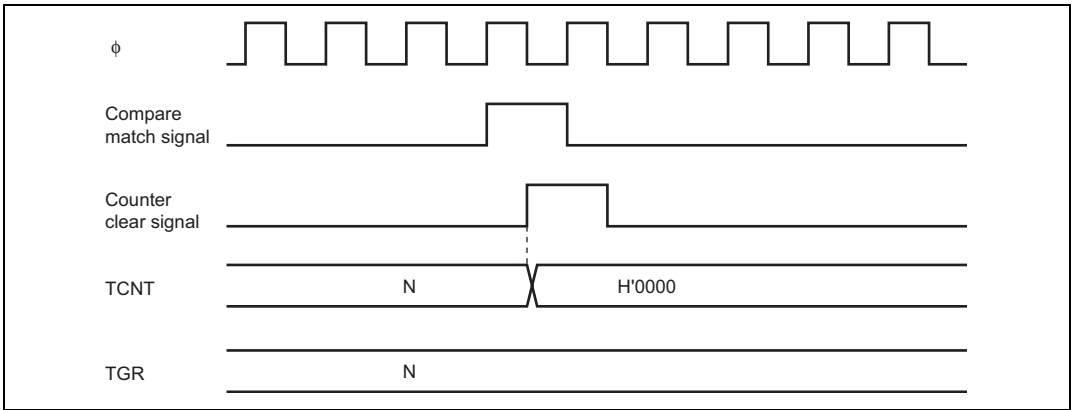
**Figure 11.32 Output Compare Output Timing**

**Input Capture Signal Timing:** Figure 11.33 shows input capture signal timing.

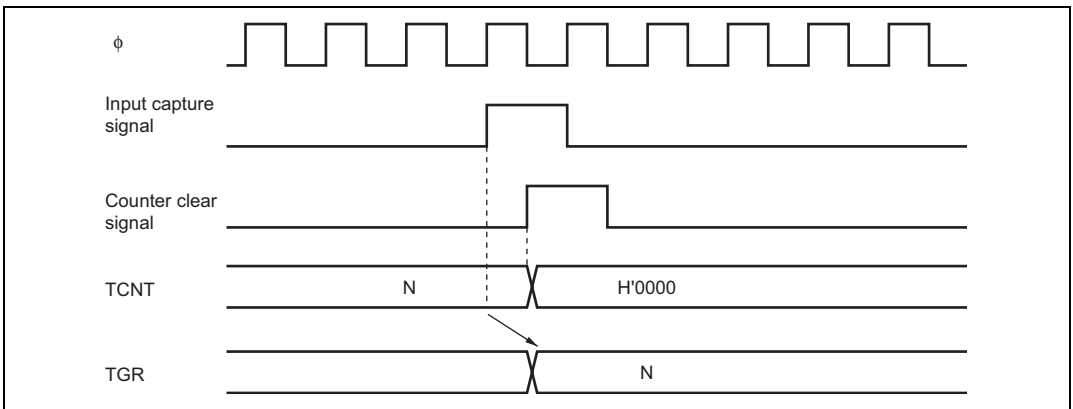


**Figure 11.33 Input Capture Input Signal Timing**

**Timing for Counter Clearing by Compare Match/Input Capture:** Figure 11.34 shows the timing when counter clearing by compare match occurrence is specified, and figure 11.35 shows the timing when counter clearing by input capture occurrence is specified.

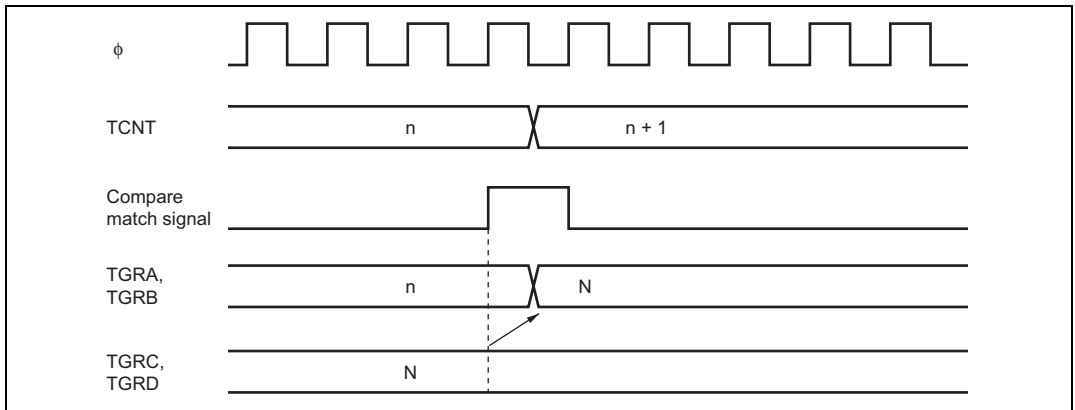


**Figure 11.34 Counter Clear Timing (Compare Match)**

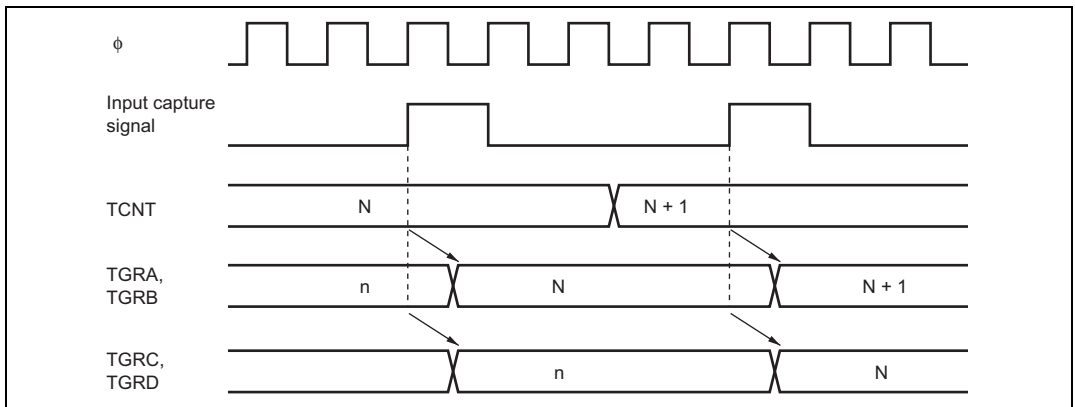


**Figure 11.35 Counter Clear Timing (Input Capture)**

**Buffer Operation Timing:** Figures 11.36 and 11.37 show the timings in buffer operation.



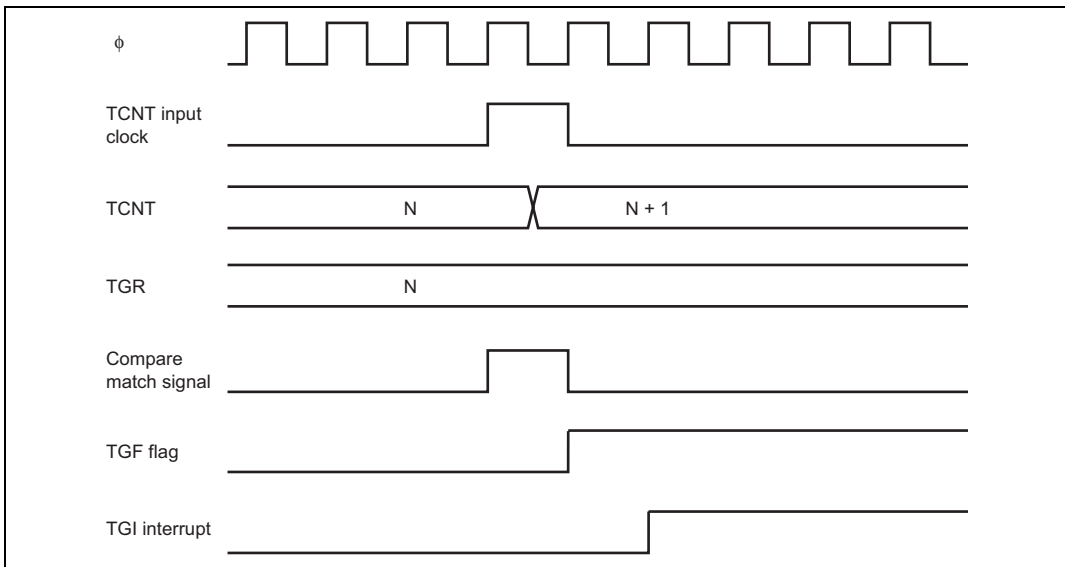
**Figure 11.36 Buffer Operation Timing (Compare Match)**



**Figure 11.37 Buffer Operation Timing (Input Capture)**

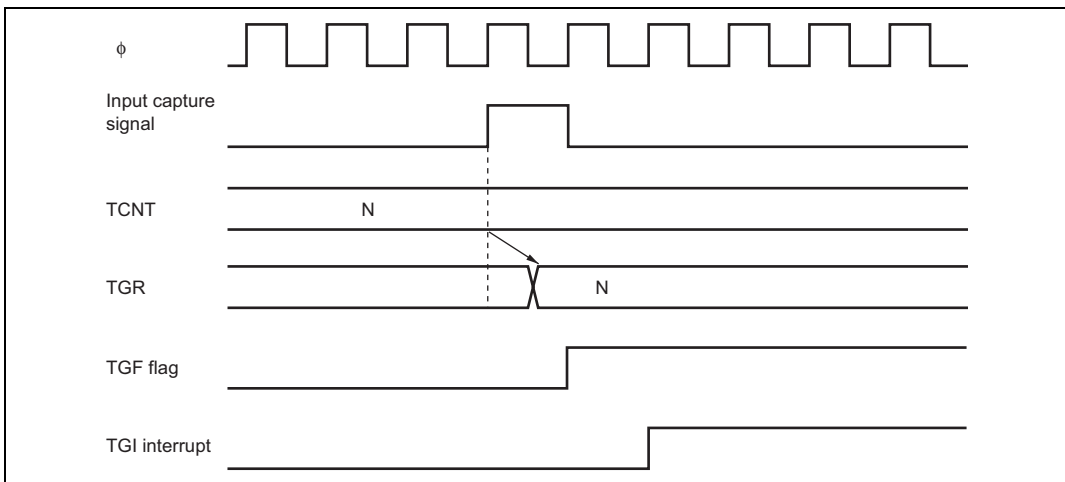
## 11.9.2 Interrupt Signal Timing

**TGF Flag Setting Timing in Case of Compare Match:** Figure 11.38 shows the timing for setting of the TGF flag in TSR by compare match occurrence, and the TGI interrupt request signal timing.



**Figure 11.38 TGI Interrupt Timing (Compare Match)**

**TGF Flag Setting Timing in Case of Input Capture:** Figure 11.39 shows the timing for setting of the TGF flag in TSR by input capture occurrence, and the TGI interrupt request signal timing.

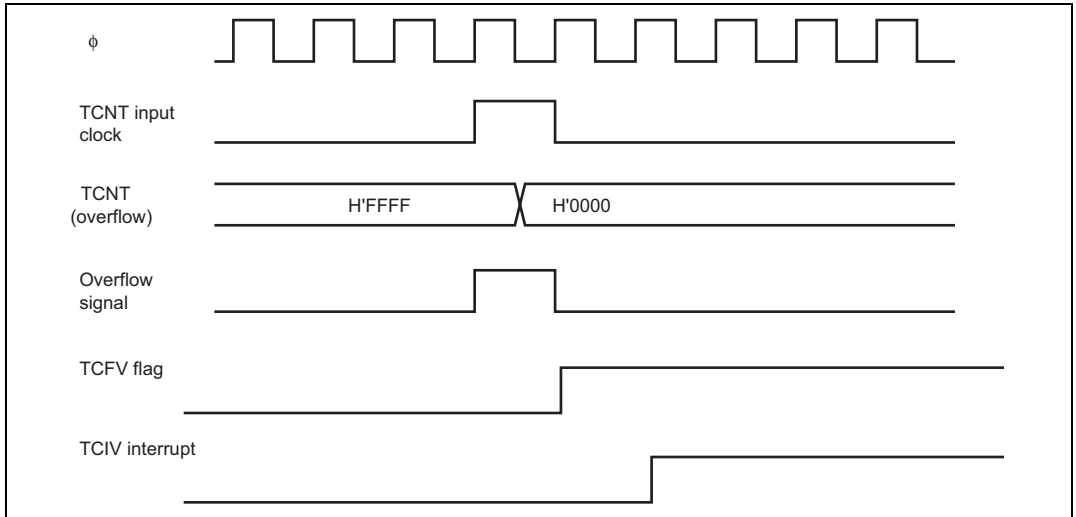


**Figure 11.39 TGI Interrupt Timing (Input Capture)**

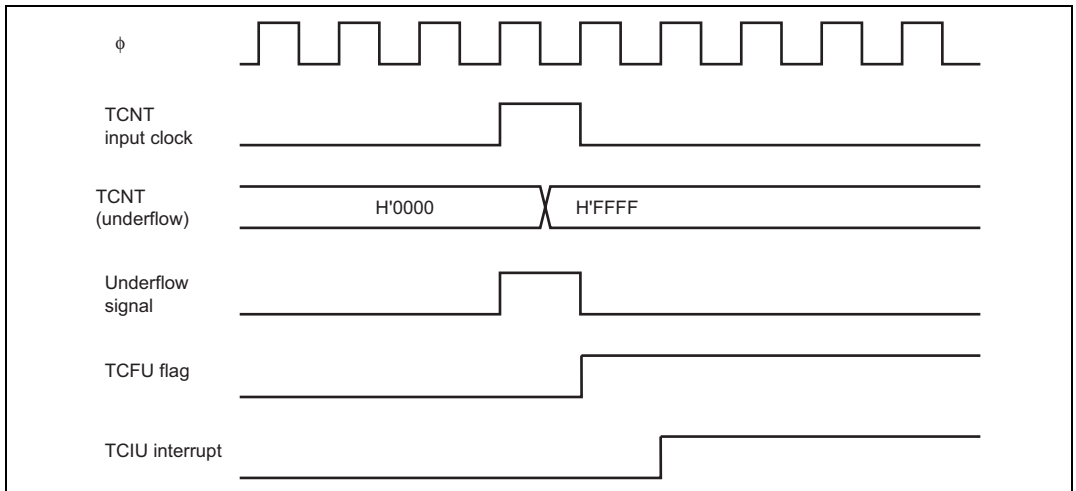


**TCFV Flag/TCFU Flag Setting Timing:** Figure 11.40 shows the timing for setting of the TCFV flag in TSR by overflow occurrence, and the TCIV interrupt request signal timing.

Figure 11.41 shows the timing for setting of the TCFU flag in TSR by underflow occurrence, and the TCIU interrupt request signal timing.

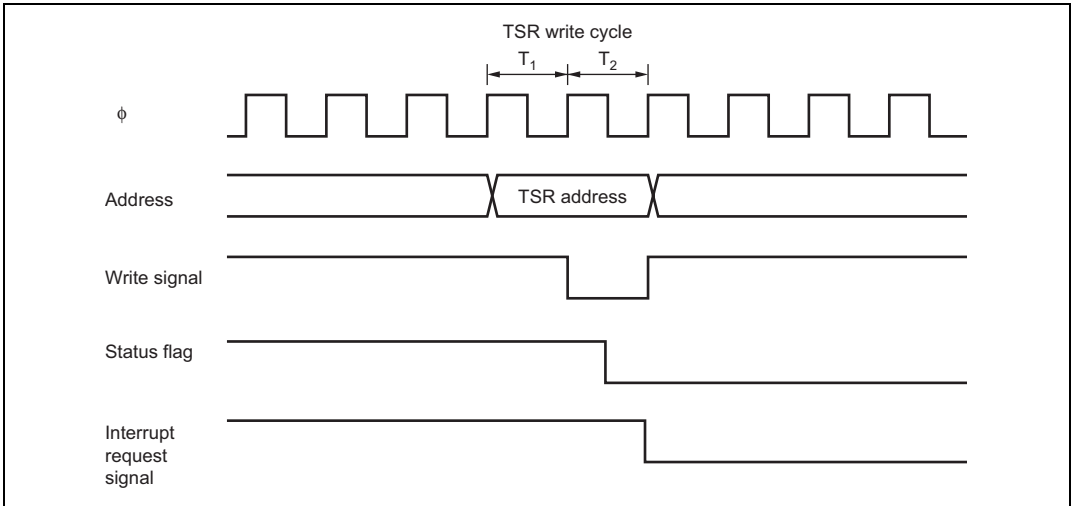


**Figure 11.40 TCIV Interrupt Setting Timing**

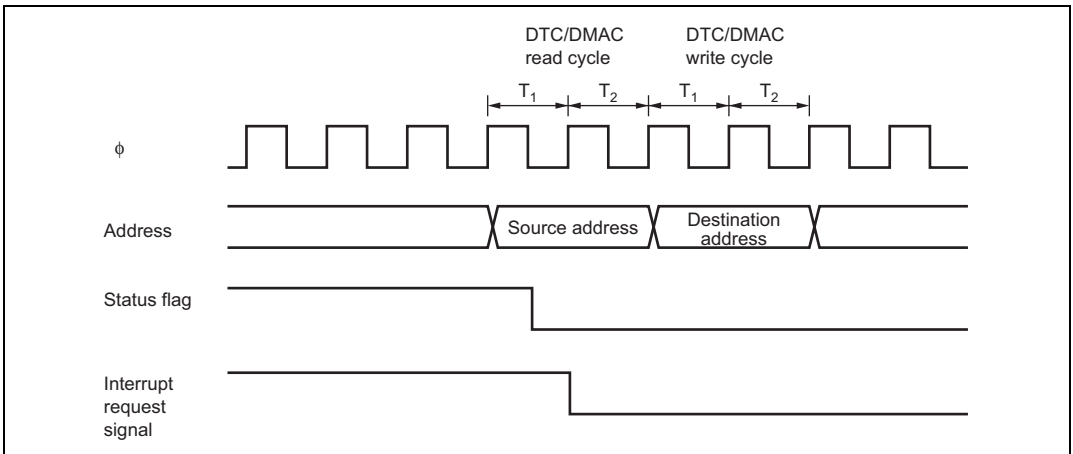


**Figure 11.41 TCIU Interrupt Setting Timing**

**Status Flag Clearing Timing:** After a status flag is read as 1 by the CPU, it is cleared by writing 0 to it. When the DTC or DMAC is activated, the flag is cleared automatically. Figure 11.42 shows the timing for status flag clearing by the CPU, and figure 11.43 shows the timing for status flag clearing by the DTC or DMAC.



**Figure 11.42 Timing for Status Flag Clearing by CPU**



**Figure 11.43 Timing for Status Flag Clearing by DTC/DMAC Activation**

## 11.10 Usage Notes

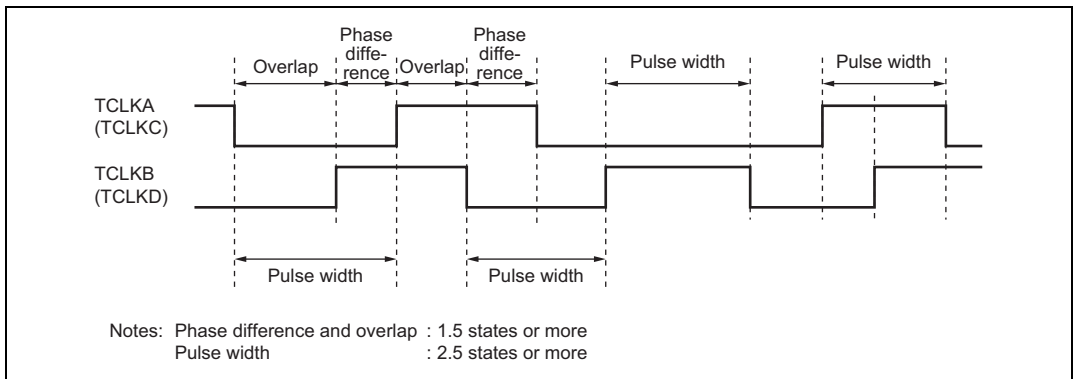
### 11.10.1 Module Stop Mode Setting

TPU operation can be disabled or enabled using the module stop control register. The initial setting is for TPU operation to be halted. Register access is enabled by clearing module stop mode. For details, refer to section 24, Power-Down Modes.

### 11.10.2 Input Clock Restrictions

The input clock pulse width must be at least 1.5 states in the case of single-edge detection, and at least 2.5 states in the case of both-edge detection. The TPU will not operate properly with a narrower pulse width.

In phase counting mode, the phase difference and overlap between the two input clocks must be at least 1.5 states, and the pulse width must be at least 2.5 states. Figure 11.44 shows the input clock conditions in phase counting mode.



**Figure 11.44 Phase Difference, Overlap, and Pulse Width in Phase Counting Mode**

### 11.10.3 Caution on Cycle Setting

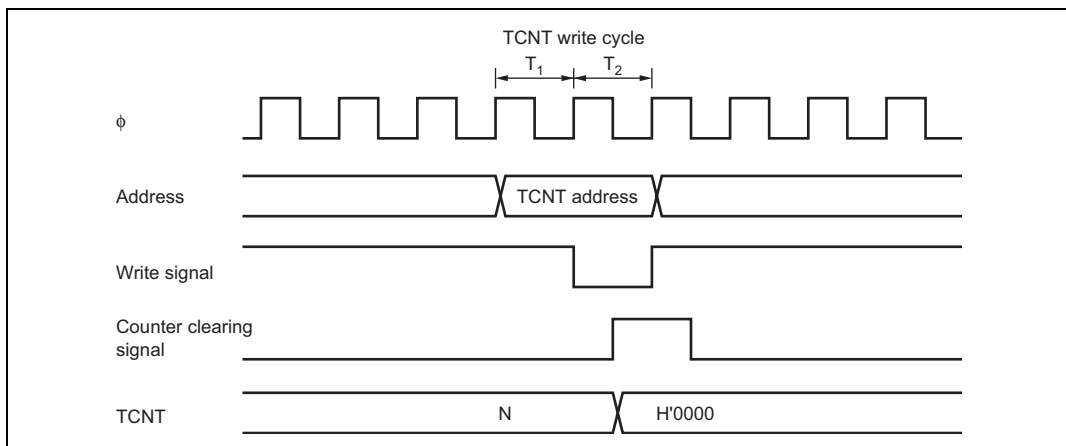
When counter clearing by compare match is set, TCNT is cleared in the final state in which it matches the TGR value (the point at which the count value matched by TCNT is updated). Consequently, the actual counter frequency is given by the following formula:

$$f = \frac{\phi}{(N + 1)}$$

Where f: Counter frequency  
 $\phi$ : Operating frequency  
 N: TGR set value

### 11.10.4 Contention between TCNT Write and Clear Operations

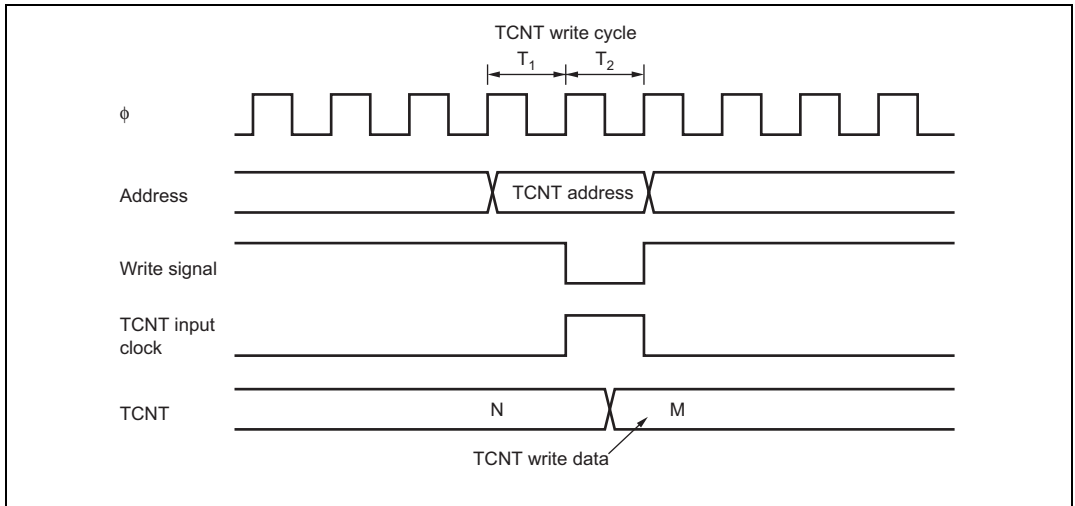
If the counter clearing signal is generated in the  $T_2$  state of a TCNT write cycle, TCNT clearing takes precedence and the TCNT write is not performed. Figure 11.45 shows the timing in this case.



**Figure 11.45 Contention between TCNT Write and Clear Operations**

### 11.10.5 Contention between TCNT Write and Increment Operations

If incrementing occurs in the  $T_2$  state of a TCNT write cycle, the TCNT write takes precedence and TCNT is not incremented. Figure 11.46 shows the timing in this case.

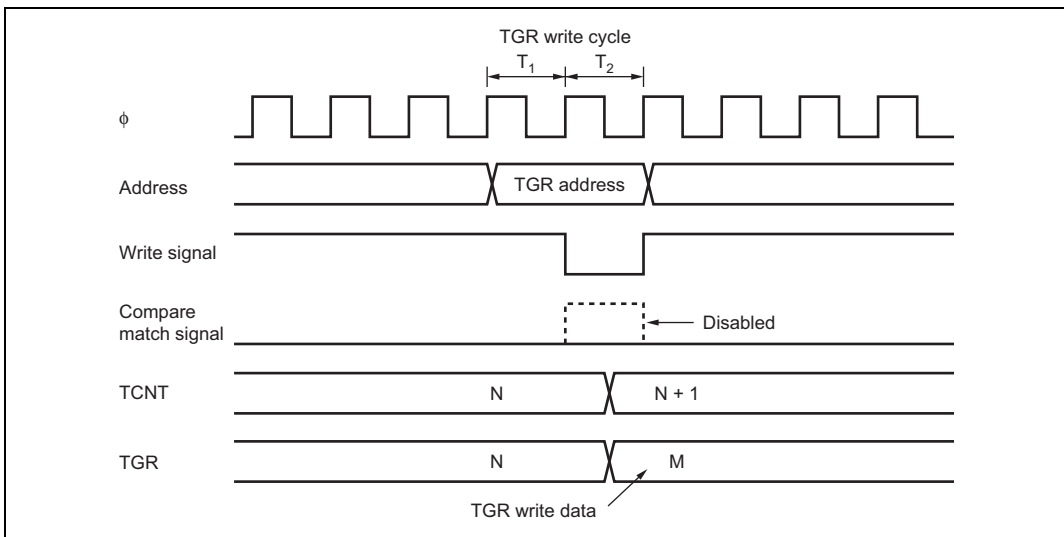


**Figure 11.46** Contention between TCNT Write and Increment Operations

### 11.10.6 Contention between TGR Write and Compare Match

If a compare match occurs in the  $T_2$  state of a TGR write cycle, the TGR write takes precedence and the compare match signal is disabled. A compare match also does not occur when the same value as before is written.

Figure 11.47 shows the timing in this case.

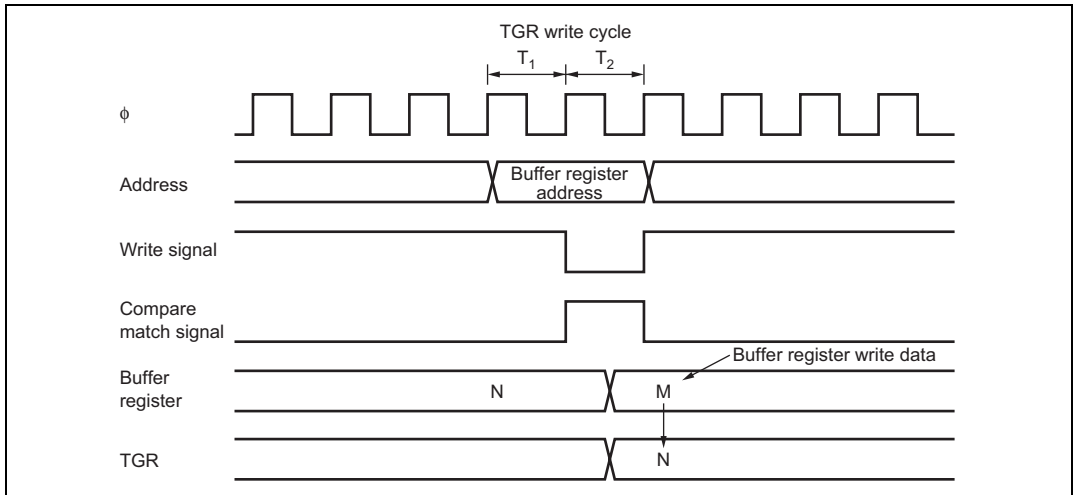


**Figure 11.47 Contention between TGR Write and Compare Match**

### 11.10.7 Contention between Buffer Register Write and Compare Match

If a compare match occurs in the  $T_2$  state of a TGR write cycle, the data transferred to TGR by the buffer operation will be the data prior to the write.

Figure 11.48 shows the timing in this case.

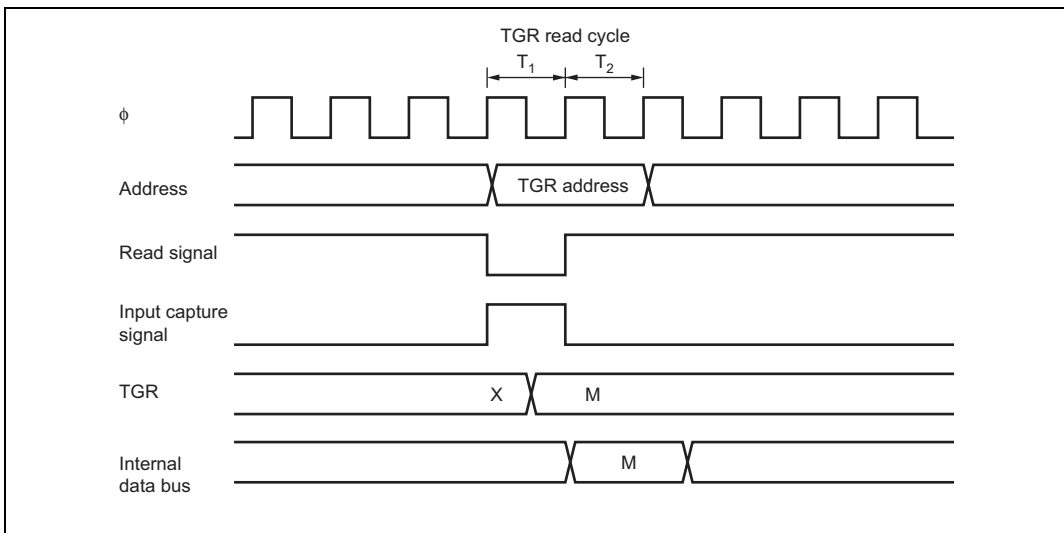


**Figure 11.48 Contention between Buffer Register Write and Compare Match**

### 11.10.8 Contention between TGR Read and Input Capture

If the input capture signal is generated in the  $T_1$  state of a TGR read cycle, the data that is read will be the data after input capture transfer.

Figure 11.49 shows the timing in this case.



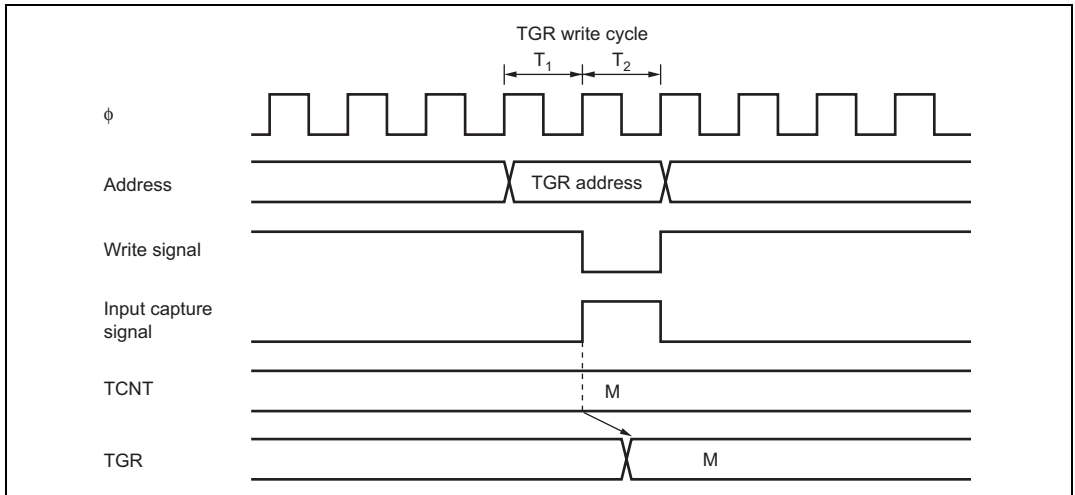
**Figure 11.49 Contention between TGR Read and Input Capture**



### 11.10.9 Contention between TGR Write and Input Capture

If the input capture signal is generated in the  $T_2$  state of a TGR write cycle, the input capture operation takes precedence and the write to TGR is not performed.

Figure 11.50 shows the timing in this case.

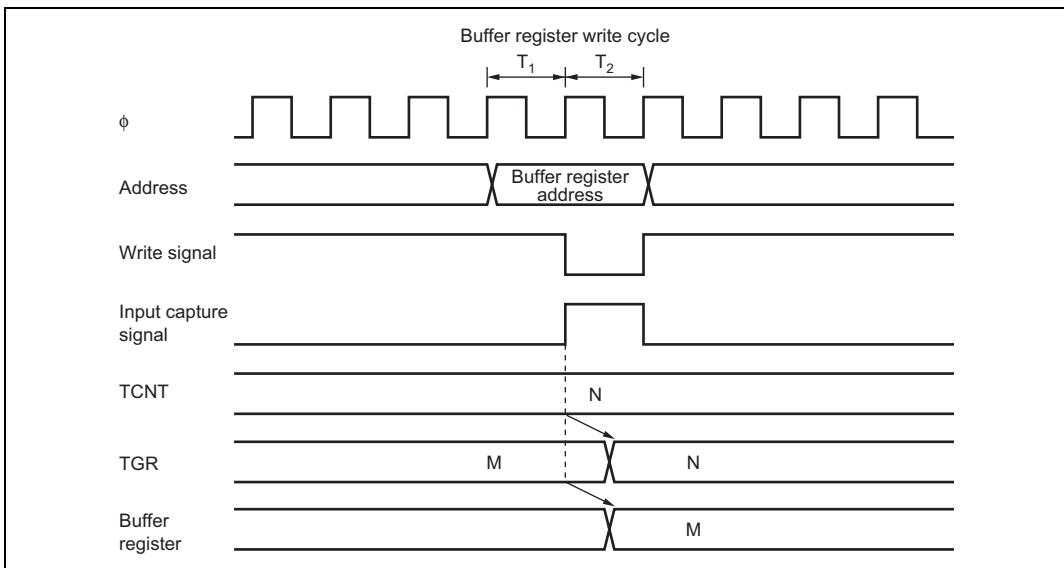


**Figure 11.50 Contention between TGR Write and Input Capture**

### 11.10.10 Contention between Buffer Register Write and Input Capture

If the input capture signal is generated in the  $T_2$  state of a buffer register write cycle, the buffer operation takes precedence and the write to the buffer register is not performed.

Figure 11.51 shows the timing in this case.

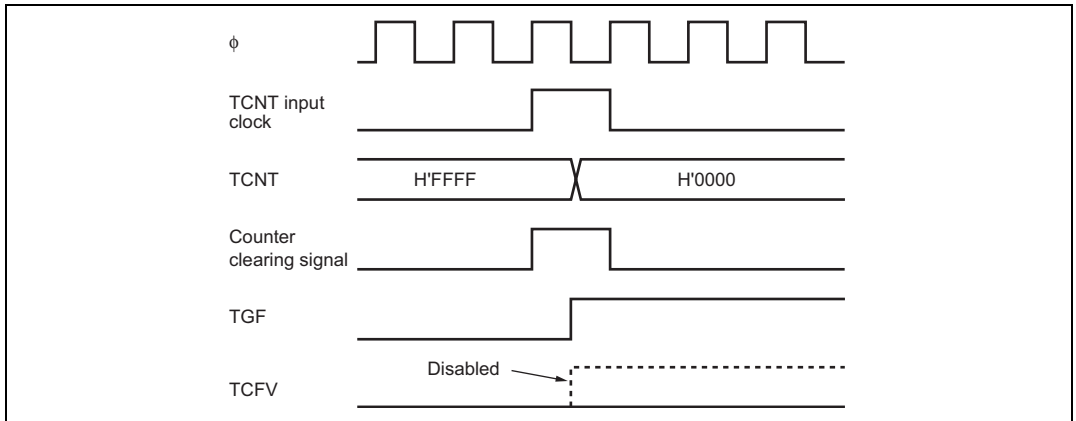


**Figure 11.51** Contention between Buffer Register Write and Input Capture

### 11.10.11 Contention between Overflow/Underflow and Counter Clearing

If overflow/underflow and counter clearing occur simultaneously, the TCFV/TCFU flag in TSR is not set and TCNT clearing takes precedence.

Figure 11.52 shows the operation timing when a TGR compare match is specified as the clearing source, and H'FFFF is set in TGR.

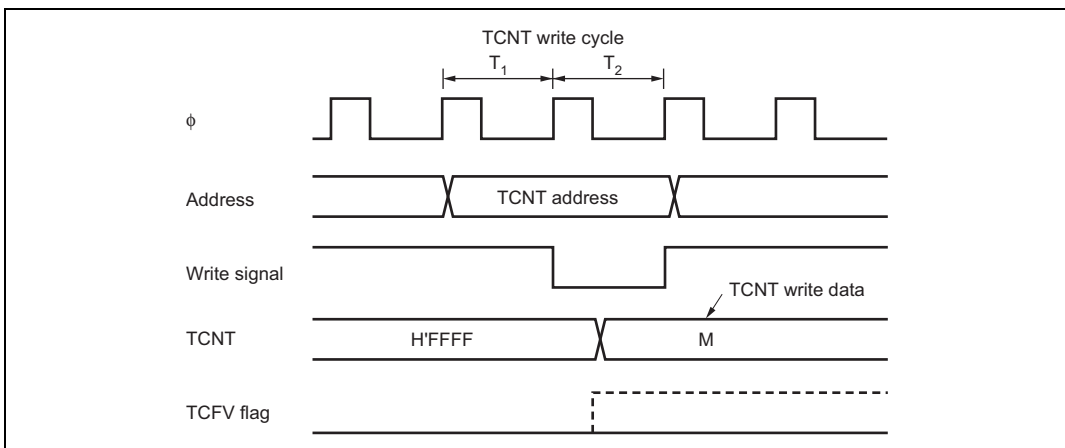


**Figure 11.52 Contention between Overflow and Counter Clearing**

### 11.10.12 Contention between TCNT Write and Overflow/Underflow

If there is an up-count or down-count in the  $T_2$  state of a TCNT write cycle, when overflow/underflow occurs, the TCNT write takes precedence and the TCFV/TCFU flag in TSR is not set.

Figure 11.53 shows the operation timing when there is contention between TCNT write and overflow.



**Figure 11.53 Contention between TCNT Write and Overflow**

### **11.10.13 Multiplexing of I/O Pins**

In this LSI, the TCLKA input pin is multiplexed with the TIOCC0 I/O pin, the TCLKB input pin with the TIOCD0 I/O pin, the TCLKC input pin with the TIOCB1 I/O pin, and the TCLKD input pin with the TIOCB2 I/O pin. When an external clock is input, compare match output should not be performed from a multiplexed pin.

### **11.10.14 Interrupts and Module Stop Mode**

If module stop mode is entered when an interrupt has been requested, it will not be possible to clear the CPU interrupt source or the DMAC or DTC activation source. Interrupts should therefore be disabled before entering module stop mode.



## Section 12 Programmable Pulse Generator (PPG)

The programmable pulse generator (PPG) provides pulse outputs by using the 16-bit timer pulse unit (TPU) as a time base. The PPG pulse outputs are divided into 4-bit groups (groups 3 to 0) that can operate both simultaneously and independently. The block diagram of PPG is shown in figure 12.1.

### 12.1 Features

- 16-bit output data
- Four output groups
- Selectable output trigger signals
- Non-overlap mode
- Can operate together with the data transfer controller (DTC) and the DMA controller (DMAC)
- Settable inverted output
- Module stop mode can be set

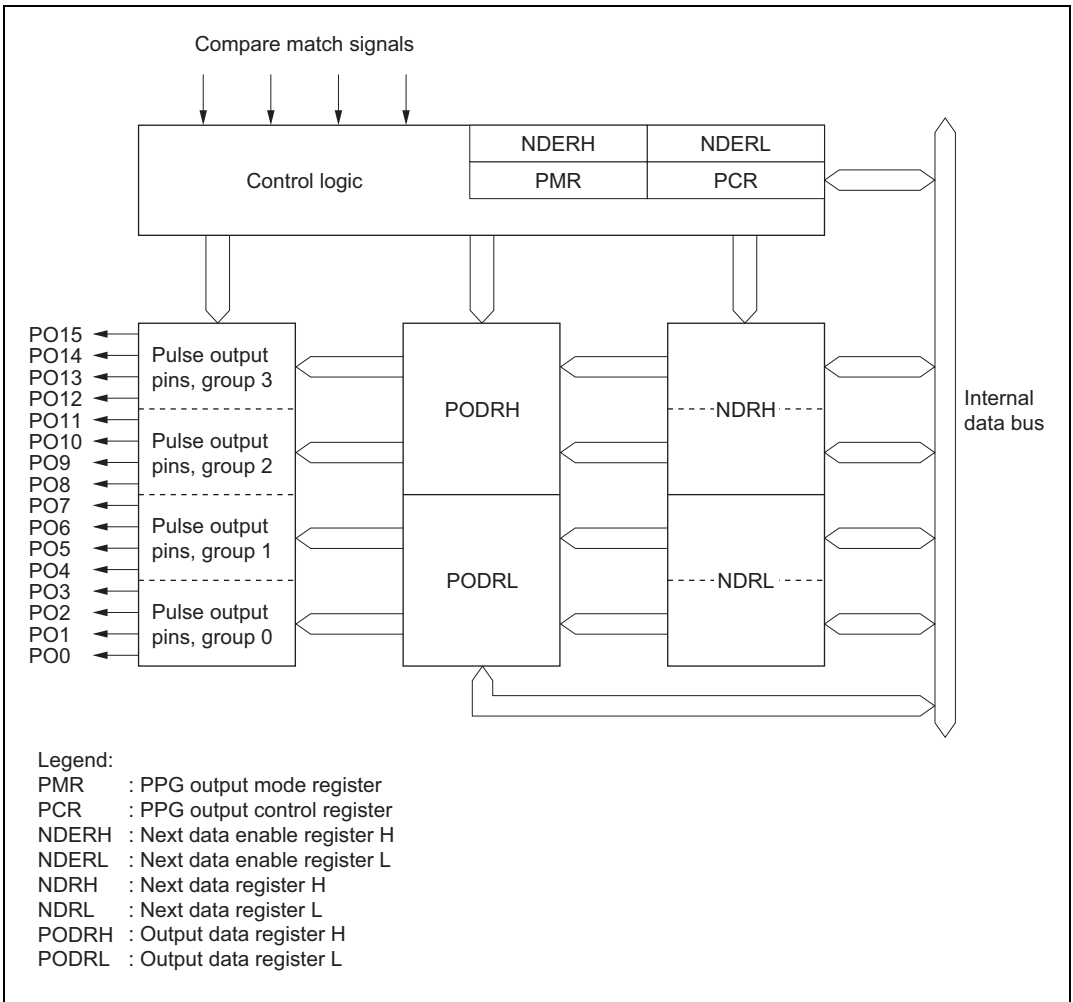


Figure 12.1 Block Diagram of PPG



## 12.2 Input/Output Pins

Table 12.1 shows the PPG pin configuration.

**Table 12.1 Pin Configuration**

| Pin Name | I/O    | Function             |
|----------|--------|----------------------|
| PO15     | Output | Group 3 pulse output |
| PO14     | Output |                      |
| PO13     | Output |                      |
| PO12     | Output | Group 2 pulse output |
| PO11     | Output |                      |
| PO10     | Output |                      |
| PO9      | Output |                      |
| PO8      | Output |                      |
| PO7      | Output | Group 1 pulse output |
| PO6      | Output |                      |
| PO5      | Output |                      |
| PO4      | Output | Group 0 pulse output |
| PO3      | Output |                      |
| PO2      | Output |                      |
| PO1      | Output |                      |
| PO0      | Output |                      |

## 12.3 Register Descriptions

The PPG has the following registers.

- Next data enable register H (NDERH)
- Next data enable register L (NDERL)
- Output data register H (PODRH)
- Output data register L (PODRL)
- Next data register H (NDRH)
- Next data register L (NDRL)
- PPG output control register (PCR)
- PPG output mode register (PMR)

### 12.3.1 Next Data Enable Registers H, L (NDERH, NDERL)

NDERH, NDERL enable or disable pulse output on a bit-by-bit basis. For outputting pulse by the PPG, set the corresponding DDR to 1.

#### NDERH

| Bit | Bit Name | Initial Value | R/W | Description   |
|-----|----------|---------------|-----|---|
| 7   | NDER15   | 0             | R/W | Next Data Enable 15 to 8  |
| 6   | NDER14   | 0             | R/W | When a bit is set to 1, the value in the corresponding NDRH bit is transferred to the PODRH bit by the selected output trigger. Values are not transferred from NDRH to PODRH for cleared bits. |
| 5   | NDER13   | 0             | R/W |   |
| 4   | NDER12   | 0             | R/W |   |
| 3   | NDER11   | 0             | R/W |   |
| 2   | NDER10   | 0             | R/W |   |
| 1   | NDER9    | 0             | R/W |   |
| 0   | NDER8    | 0             | R/W |   |

#### NDERL

| Bit | Bit Name | Initial Value | R/W | Description   |
|-----|----------|---------------|-----|---|
| 7   | NDER7    | 0             | R/W | Next Data Enable 7 to 0   |
| 6   | NDER6    | 0             | R/W | When a bit is set to 1, the value in the corresponding NDRL bit is transferred to the PODRL bit by the selected output trigger. Values are not transferred from NDRL to PODRL for cleared bits. |
| 5   | NDER5    | 0             | R/W |   |
| 4   | NDER4    | 0             | R/W |   |
| 3   | NDER3    | 0             | R/W |   |
| 2   | NDER2    | 0             | R/W |   |
| 1   | NDER1    | 0             | R/W |   |
| 0   | NDER0    | 0             | R/W |   |

### 12.3.2 Output Data Registers H, L (PODRH, PODRL)

PODRH and PODRL store output data for use in pulse output. A bit that has been set for pulse output by NDER is read-only and cannot be modified.

#### PODRH

| Bit | Bit Name | Initial Value | R/W | Description  |
|-----|----------|---------------|-----|--|
| 7   | POD15    | 0             | R/W | Output Data Register 15 to 8   |
| 6   | POD14    | 0             | R/W | For bits which have been set to pulse output by NDERH, the output trigger transfers NDRH values to this register during PPG operation. While NDERH is set to 1, the CPU cannot write to this register. While NDERH is cleared, the initial output value of the pulse can be set. |
| 5   | POD13    | 0             | R/W |  |
| 4   | POD12    | 0             | R/W |  |
| 3   | POD11    | 0             | R/W |  |
| 2   | POD10    | 0             | R/W |  |
| 1   | POD9     | 0             | R/W |  |
| 0   | POD8     | 0             | R/W |  |

#### PODRL

| Bit | Bit Name | Initial Value | R/W | Description  |
|-----|----------|---------------|-----|--|
| 7   | POD7     | 0             | R/W | Output Data Register 7 to 0  |
| 6   | POD6     | 0             | R/W | For bits which have been set to pulse output by NDERL, the output trigger transfers NDRL values to this register during PPG operation. While NDERL is set to 1, the CPU cannot write to this register. While NDERL is cleared, the initial output value of the pulse can be set. |
| 5   | POD5     | 0             | R/W |  |
| 4   | POD4     | 0             | R/W |  |
| 3   | POD3     | 0             | R/W |  |
| 2   | POD2     | 0             | R/W |  |
| 1   | POD1     | 0             | R/W |  |
| 0   | POD0     | 0             | R/W |  |

### 12.3.3 Next Data Registers H, L (NDRH, NDRL)

NDRH, NDRL store the next data for pulse output. The NDR addresses differ depending on whether pulse output groups have the same output trigger or different output triggers.

**NDRH**

If pulse output groups 2 and 3 have the same output trigger, all eight bits are mapped to the same address and can be accessed at one time, as shown below.

| Bit | Bit Name | Initial Value | R/W | Description   |
|-----|----------|---------------|-----|---|
| 7   | NDR15    | 0             | R/W | Next Data Register 15 to 8  |
| 6   | NDR14    | 0             | R/W | The register contents are transferred to the corresponding PODRH bits by the output trigger specified with PCR. |
| 5   | NDR13    | 0             | R/W |   |
| 4   | NDR12    | 0             | R/W |   |
| 3   | NDR11    | 0             | R/W |   |
| 2   | NDR10    | 0             | R/W |   |
| 1   | NDR9     | 0             | R/W |   |
| 0   | NDR8     | 0             | R/W |   |

If pulse output groups 2 and 3 have different output triggers, upper 4 bits and lower 4 bits are mapped to the different addresses as shown below.

| Bit          | Bit Name | Initial Value | R/W | Description   |
|--------------|----------|---------------|-----|---|
| 7            | NDR15    | 0             | R/W | Next Data Register 15 to 12   |
| 6            | NDR14    | 0             | R/W | The register contents are transferred to the corresponding PODRH bits by the output trigger specified with PCR. |
| 5            | NDR13    | 0             | R/W |   |
| 4            | NDR12    | 0             | R/W |   |
| 3<br>to<br>0 | —        | All 1         | —   |   |

| Bit          | Bit Name | Initial Value | R/W | Description   |
|--------------|----------|---------------|-----|---|
| 7<br>to<br>4 | —        | All 1         | —   | Reserved<br>1 is always read and write is disabled.   |
| 3            | NDR11    | 0             | R/W | Next Data Register 11 to 8  |
| 2            | NDR10    | 0             | R/W | The register contents are transferred to the corresponding PODRH bits by the output trigger specified with PCR. |
| 1            | NDR9     | 0             | R/W |   |
| 0            | NDR8     | 0             | R/W |   |

**NDRL**

If pulse output groups 0 and 1 have the same output trigger, all eight bits are mapped to the same address and can be accessed at one time, as shown below.

| Bit | Bit Name | Initial Value | R/W | Description   |
|-----|----------|---------------|-----|---|
| 7   | NDR7     | 0             | R/W | Next Data Register 7 to 0   |
| 6   | NDR6     | 0             | R/W | The register contents are transferred to the corresponding PODRL bits by the output trigger specified with PCR. |
| 5   | NDR5     | 0             | R/W |   |
| 4   | NDR4     | 0             | R/W |   |
| 3   | NDR3     | 0             | R/W |   |
| 2   | NDR2     | 0             | R/W |   |
| 1   | NDR1     | 0             | R/W |   |
| 0   | NDR0     | 0             | R/W |   |

If pulse output groups 0 and 1 have different output triggers, upper 4 bits and lower 4 bits are mapped to the different addresses as shown below.

| Bit          | Bit Name | Initial Value | R/W | Description   |
|--------------|----------|---------------|-----|---|
| 7            | NDR7     | 0             | R/W | Next Data Register 7 to 4   |
| 6            | NDR6     | 0             | R/W | The register contents are transferred to the corresponding PODRL bits by the output trigger specified with PCR. |
| 5            | NDR5     | 0             | R/W |   |
| 4            | NDR4     | 0             | R/W |   |
| 3<br>to<br>0 | —        | All 1         | —   |   |

| Bit          | Bit Name | Initial Value | R/W | Description   |
|--------------|----------|---------------|-----|---|
| 7<br>to<br>4 | —        | All 1         | —   | Reserved<br>1 is always read and write is disabled.   |
| 3            | NDR3     | 0             | R/W | Next Data Register 3 to 0   |
| 2            | NDR2     | 0             | R/W | The register contents are transferred to the corresponding PODRL bits by the output trigger specified with PCR. |
| 1            | NDR1     | 0             | R/W |   |
| 0            | NDR0     | 0             | R/W |   |

### 12.3.4 PPG Output Control Register (PCR)

PCR selects output trigger signals on a group-by-group basis. For details on output trigger selection, refer to section 12.3.5, PPG Output Mode Register (PMR).

| Bit | Bit Name | Initial Value | R/W | Description  |
|-----|----------|---------------|-----|--|
| 7   | G3CMS1   | 1             | R/W | Group 3 Compare Match Select 1 and 0   |
| 6   | G3CMS0   | 1             | R/W | Select output trigger of pulse output group 3.<br>00: Compare match in TPU channel 0<br>01: Compare match in TPU channel 1<br>10: Compare match in TPU channel 2<br>11: Compare match in TPU channel 3 |
| 5   | G2CMS1   | 1             | R/W | Group 2 Compare Match Select 1 and 0   |
| 4   | G2CMS0   | 1             | R/W | Select output trigger of pulse output group 2.<br>00: Compare match in TPU channel 0<br>01: Compare match in TPU channel 1<br>10: Compare match in TPU channel 2<br>11: Compare match in TPU channel 3 |
| 3   | G1CMS1   | 1             | R/W | Group 1 Compare Match Select 1 and 0   |
| 2   | G1CMS0   | 1             | R/W | Select output trigger of pulse output group 1.<br>00: Compare match in TPU channel 0<br>01: Compare match in TPU channel 1<br>10: Compare match in TPU channel 2<br>11: Compare match in TPU channel 3 |
| 1   | G0CMS1   | 1             | R/W | Group 0 Compare Match Select 1 and 0   |
| 0   | G0CMS0   | 1             | R/W | Select output trigger of pulse output group 0.<br>00: Compare match in TPU channel 0<br>01: Compare match in TPU channel 1<br>10: Compare match in TPU channel 2<br>11: Compare match in TPU channel 3 |

### 12.3.5 PPG Output Mode Register (PMR)

PMR selects the pulse output mode of the PPG for each group. If inverted output is selected, a low-level pulse is output when PODRH is 1 and a high-level pulse is output when PODRH is 0. If non-overlapping operation is selected, PPG updates its output values at compare match A or B of the TPU that becomes the output trigger. For details, refer to section 12.4.4, Non-Overlapping Pulse Output.

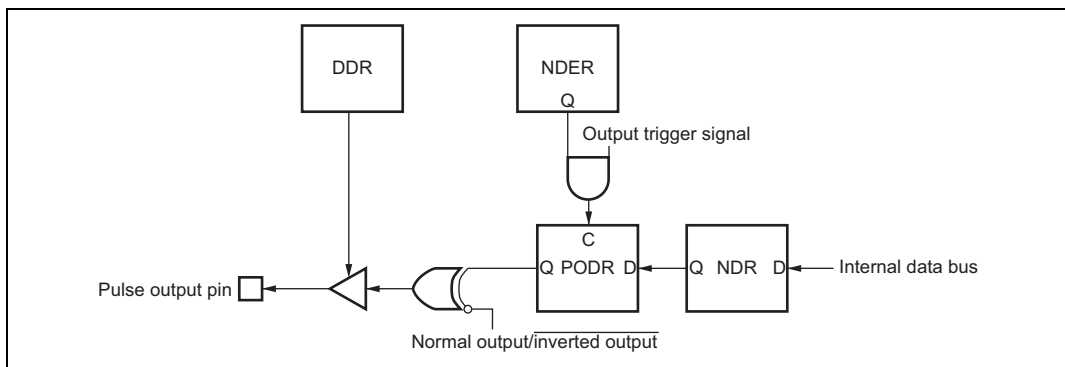
| Bit | Bit Name | Initial Value | R/W | Description   |
|-----|----------|---------------|-----|---|
| 7   | G3INV    | 1             | R/W | Group 3 Inversion<br>Selects direct output or inverted output for pulse output group 3.<br>0: Inverted output<br>1: Direct output |
| 6   | G2INV    | 1             | R/W | Group 2 Inversion<br>Selects direct output or inverted output for pulse output group 2.<br>0: Inverted output<br>1: Direct output |
| 5   | G1INV    | 1             | R/W | Group 1 Inversion<br>Selects direct output or inverted output for pulse output group 1.<br>0: Inverted output<br>1: Direct output |
| 4   | G0INV    | 1             | R/W | Group 0 Inversion<br>Selects direct output or inverted output for pulse output group 0.<br>0: Inverted output<br>1: Direct output |

| Bit | Bit Name | Initial Value | R/W | Description   |
|-----|----------|---------------|-----|---|
| 3   | G3NOV    | 0             | R/W | <p>Group 3 Non-Overlap</p> <p>Selects normal or non-overlapping operation for pulse output group 3.</p> <p>0: Normal operation (output values updated at compare match A in the selected TPU channel)</p> <p>1: Non-overlapping operation (output values updated at compare match A or B in the selected TPU channel)</p> |
| 2   | G2NOV    | 0             | R/W | <p>Group 2 Non-Overlap</p> <p>Selects normal or non-overlapping operation for pulse output group 2.</p> <p>0: Normal operation (output values updated at compare match A in the selected TPU channel)</p> <p>1: Non-overlapping operation (output values updated at compare match A or B in the selected TPU channel)</p> |
| 1   | G1NOV    | 0             | R/W | <p>Group 1 Non-Overlap</p> <p>Selects normal or non-overlapping operation for pulse output group 1.</p> <p>0: Normal operation (output values updated at compare match A in the selected TPU channel)</p> <p>1: Non-overlapping operation (output values updated at compare match A or B in the selected TPU channel)</p> |
| 0   | G0NOV    | 0             | R/W | <p>Group 0 Non-Overlap</p> <p>Selects normal or non-overlapping operation for pulse output group 0.</p> <p>0: Normal operation (output values updated at compare match A in the selected TPU channel)</p> <p>1: Non-overlapping operation (output values updated at compare match A or B in the selected TPU channel)</p> |



## 12.4 Operation

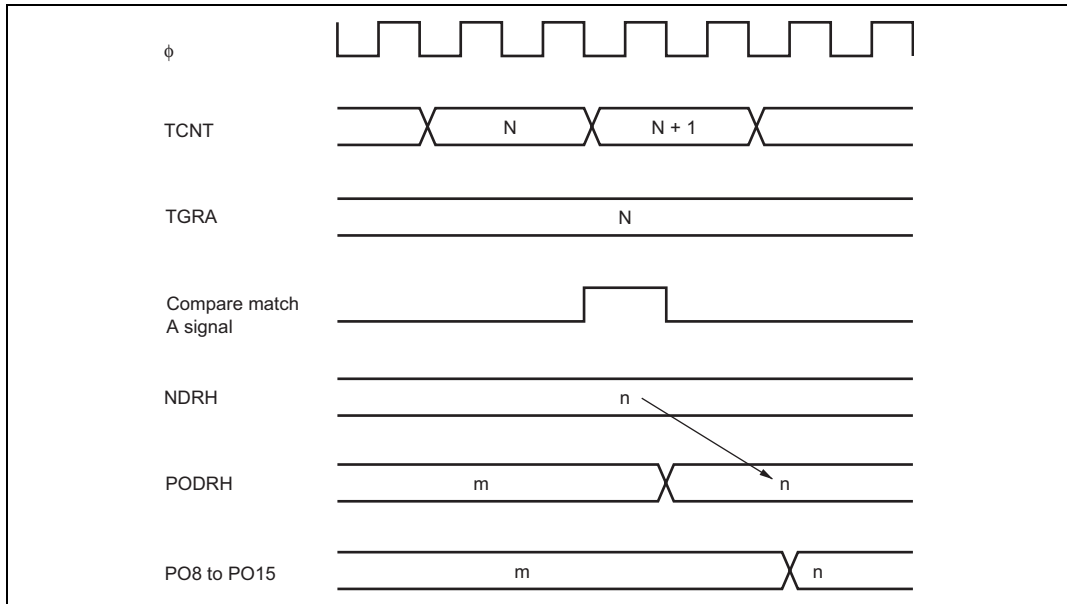
Figure 12.2 shows an overview diagram of the PPG. PPG pulse output is enabled when the corresponding bits in P1DDR, P2DDR, and NDER are set to 1. An initial output value is determined by its corresponding PODR initial setting. When the compare match event specified by PCR occurs, the corresponding NDR bit contents are transferred to PODR to update the output values. Sequential output of data of up to 16 bits is possible by writing new output data to NDR before the next compare match.



**Figure 12.2 Overview Diagram of PPG**

### 12.4.1 Output Timing

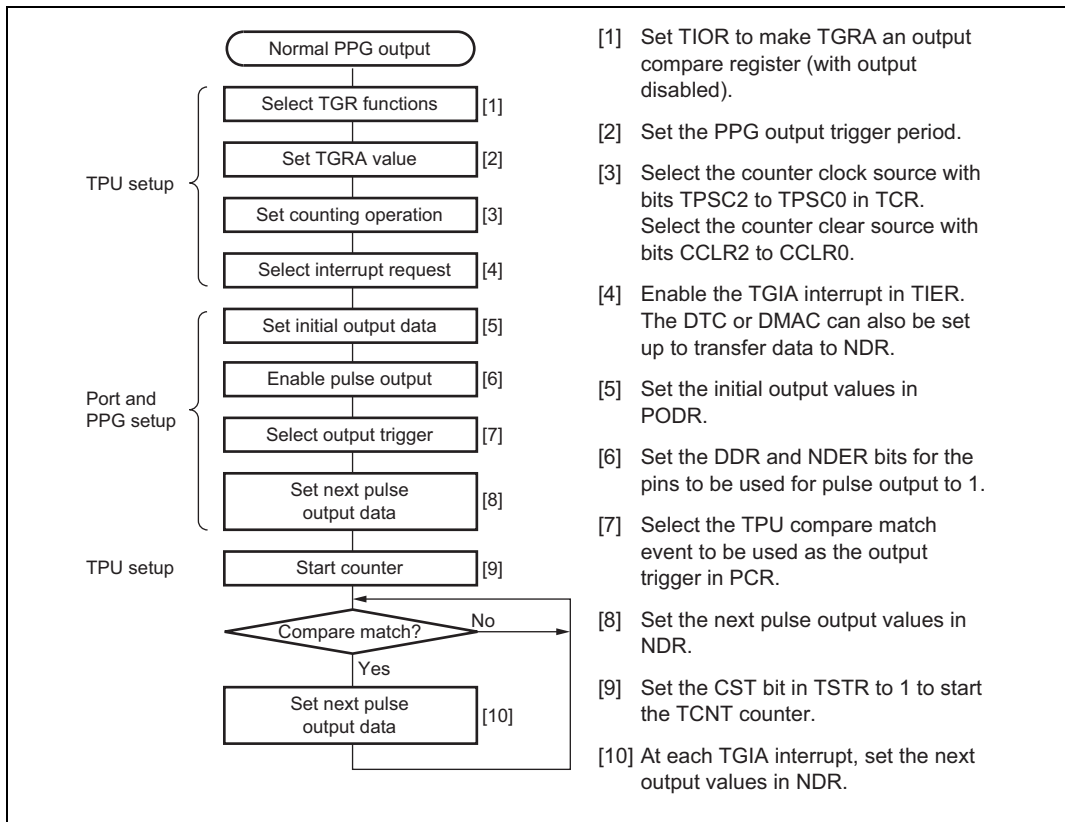
If pulse output is enabled, NDR contents are transferred to PODR and output when the specified compare match event occurs. Figure 12.3 shows the timing of these operations for the case of normal output in groups 2 and 3, triggered by compare match A.



**Figure 12.3 Timing of Transfer and Output of NDR Contents (Example)**

## 12.4.2 Sample Setup Procedure for Normal Pulse Output

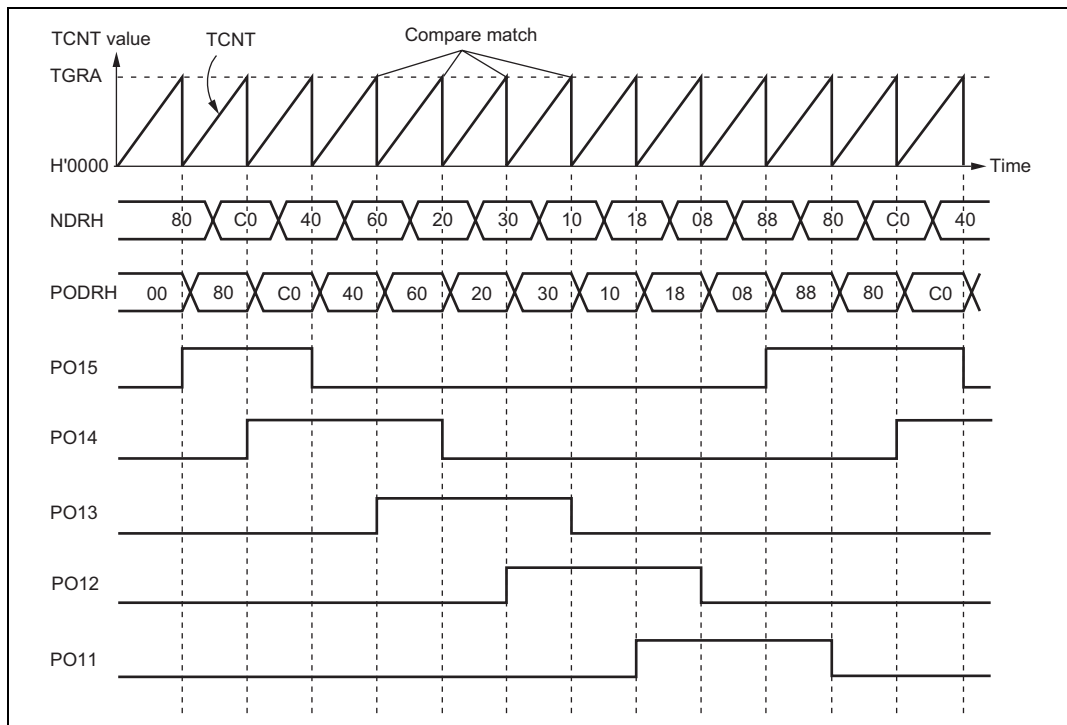
Figure 12.4 shows a sample procedure for setting up normal pulse output.



**Figure 12.4 Setup Procedure for Normal Pulse Output (Example)**

### 12.4.3 Example of Normal Pulse Output (Example of Five-Phase Pulse Output)

Figure 12.5 shows an example in which pulse output is used for cyclic five-phase pulse output.



**Figure 12.5 Normal Pulse Output Example (Five-Phase Pulse Output)**

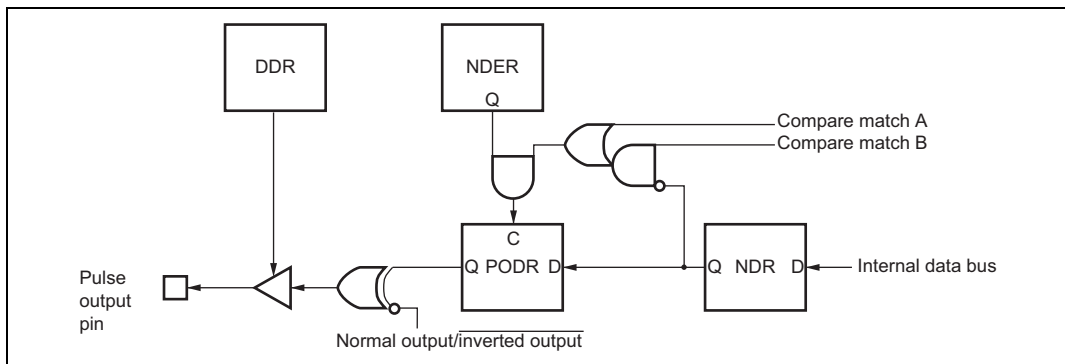
1. Set up TGRA in TPU which is used as the output trigger to be an output compare register. Set a cycle in TGRA so the counter will be cleared by compare match A. Set the TGIEA bit in TIER to 1 to enable the compare match/input capture A (TGIA) interrupt.
2. Write H'F8 in PADDR and NDRH, and set the G3CMS1, G3CMS0, G2CMS1, and G2CMS0 bits in PCR to select compare match in the TPU channel set up in the previous step to be the output trigger. Write output data H'80 in NDRH.
3. The timer counter in the TPU channel starts. When compare match A occurs, the NDRH contents are transferred to PODRH and output. The TGIA interrupt handling routine writes the next output data (H'C0) in NDRH.
4. Five-phase pulse output (one or two phases active at a time) can be obtained subsequently by writing H'40, H'60, H'20, H'30, H'10, H'18, H'08, H'88... at successive TGIA interrupts.  
If the DTC or DMAC is set for activation by the TGIA interrupt, pulse output can be obtained without imposing a load on the CPU.

### 12.4.4 Non-Overlapping Pulse Output

During non-overlapping operation, transfer from NDR to PODR is performed as follows:

- NDR bits are always transferred to PODR bits at compare match A.
- At compare match B, NDR bits are transferred only if their value is 0. Bits are not transferred if their value is 1.

Figure 12.6 illustrates the non-overlapping pulse output operation.



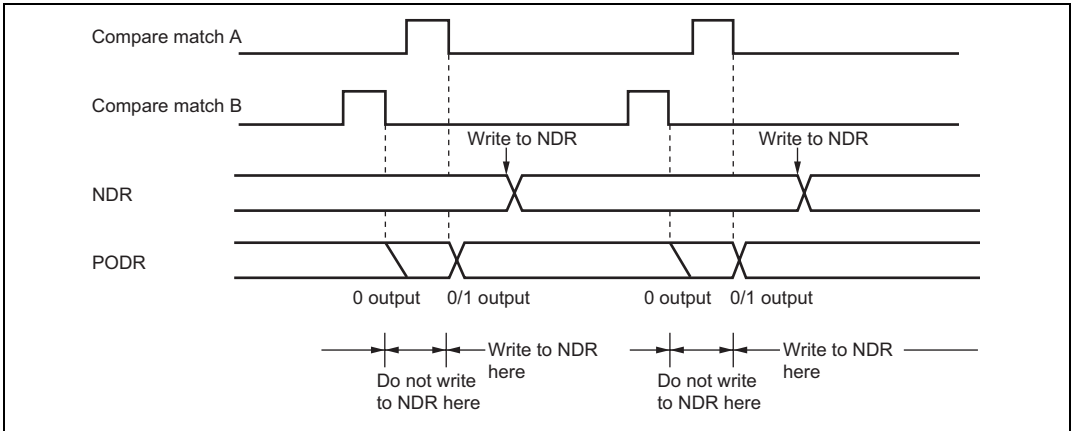
**Figure 12.6 Non-Overlapping Pulse Output**

Therefore, 0 data can be transferred ahead of 1 data by making compare match B occur before compare match A.

The NDR contents should not be altered during the interval from compare match B to compare match A (the non-overlap margin).

This can be accomplished by having the TGIA interrupt handling routine write the next data in NDR, or by having the TGIA interrupt activate the DTC or DMAC. Note, however, that the next data must be written before the next compare match B occurs.

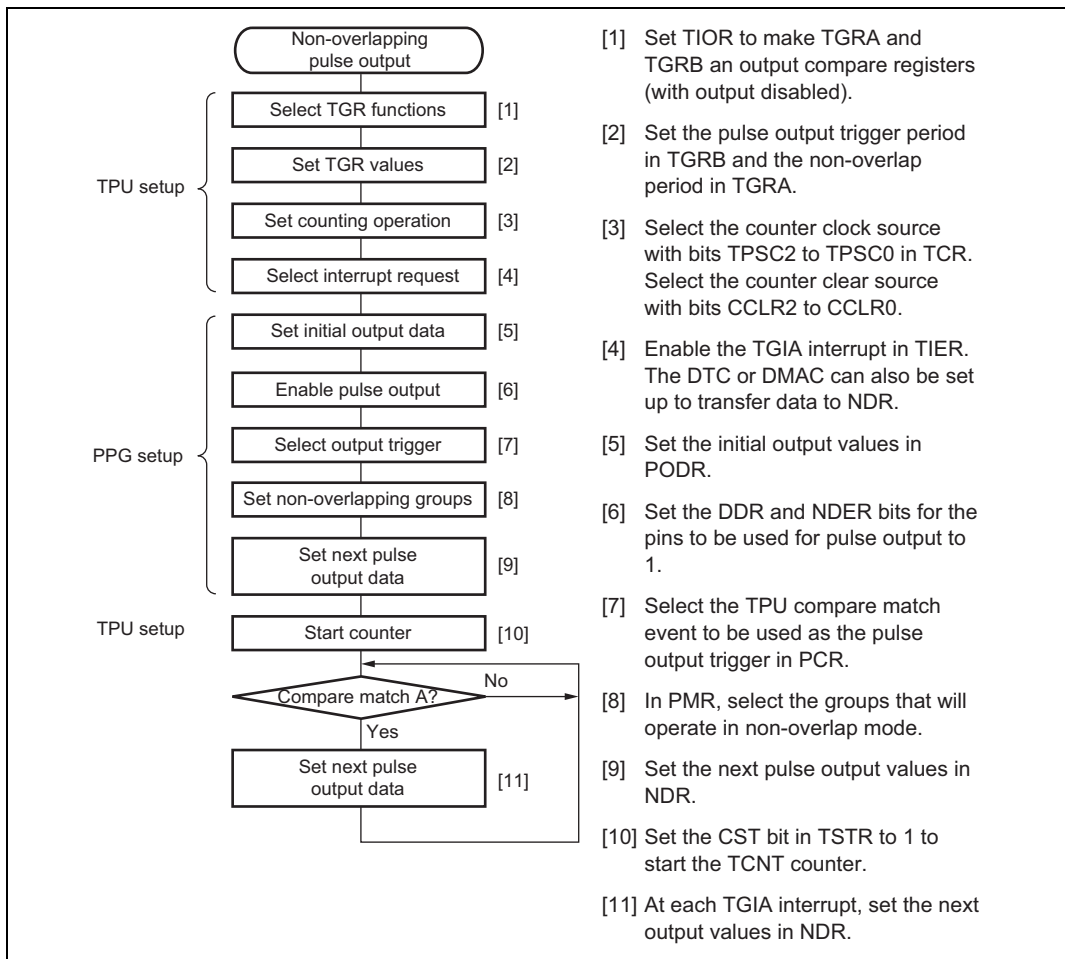
Figure 12.7 shows the timing of this operation.



**Figure 12.7 Non-Overlapping Operation and NDR Write Timing**

### 12.4.5 Sample Setup Procedure for Non-Overlapping Pulse Output

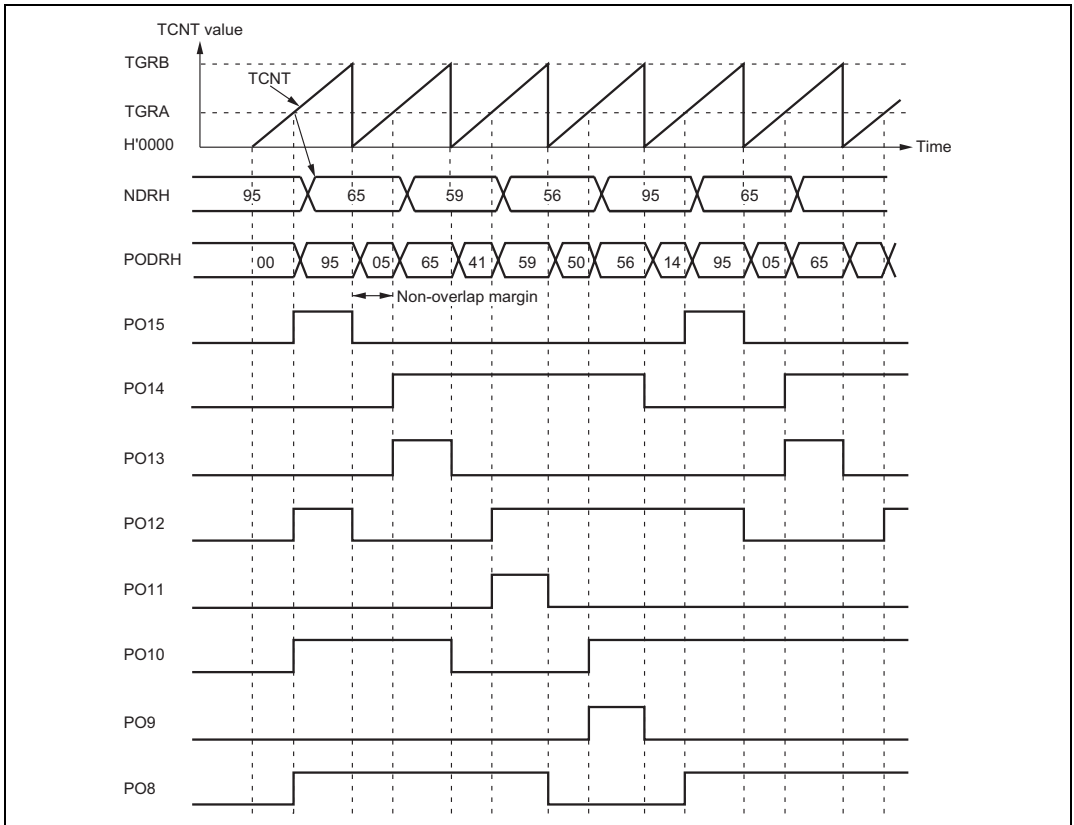
Figure 12.8 shows a sample procedure for setting up non-overlapping pulse output.



**Figure 12.8 Setup Procedure for Non-Overlapping Pulse Output (Example)**

### 12.4.6 Example of Non-Overlapping Pulse Output (Example of Four-Phase Complementary Non-Overlapping Output)

Figure 12.9 shows an example in which pulse output is used for four-phase complementary non-overlapping pulse output.



**Figure 12.9 Non-Overlapping Pulse Output Example (Four-Phase Complementary)**

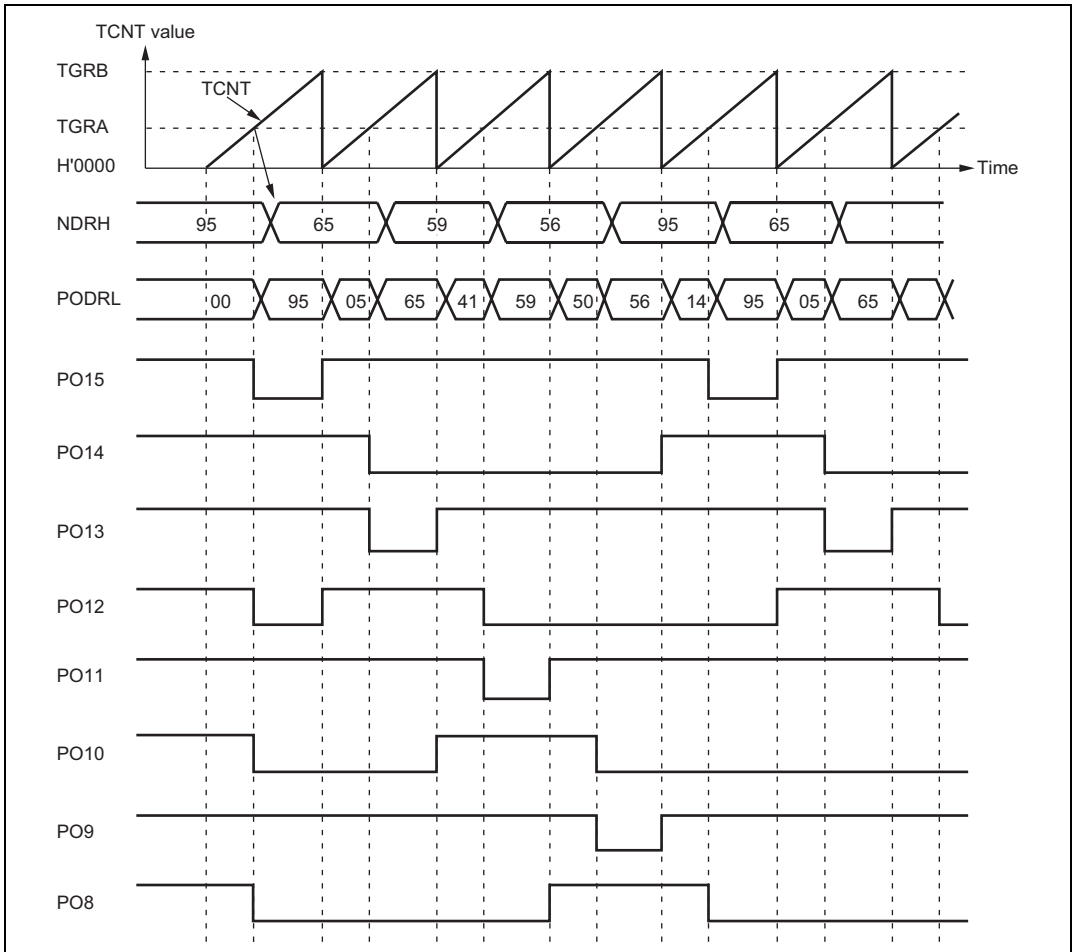


1. Set up the TPU channel to be used as the output trigger channel so that TGRA and TGRB are output compare registers. Set the trigger period in TGRB and the non-overlap margin in TGRA, and set the counter to be cleared by compare match B. Set the TGIEA bit in TIER to 1 to enable the TGIA interrupt.
2. Write H'FF in P1DDR and NDERH, and set the G3CMS1, G3CMS0, G2CMS1, and G2CMS0 bits in PCR to select compare match in the TPU channel set up in the previous step to be the output trigger. Set the G3NOV and G2NOV bits in PMR to 1 to select non-overlapping output. Write output data H'95 in NDRH.
3. The timer counter in the TPU channel starts. When a compare match with TGRB occurs, outputs change from 1 to 0. When a compare match with TGRA occurs, outputs change from 0 to 1 (the change from 0 to 1 is delayed by the value set in TGRA). The TGIA interrupt handling routine writes the next output data (H'65) in NDRH.
4. Four-phase complementary non-overlapping pulse output can be obtained subsequently by writing H'59, H'56, H'95... at successive TGIA interrupts.  
If the DTC or DMAC is set for activation by the TGIA interrupt, pulse output can be obtained without imposing a load on the CPU.

### 12.4.7 Inverted Pulse Output

If the G3INV, G2INV, G1INV, and G0INV bits in PMR are cleared to 0, values that are the inverse of the PODR contents can be output.

Figure 12.10 shows the outputs when G3INV and G2INV are cleared to 0, in addition to the settings of figure 12.9.

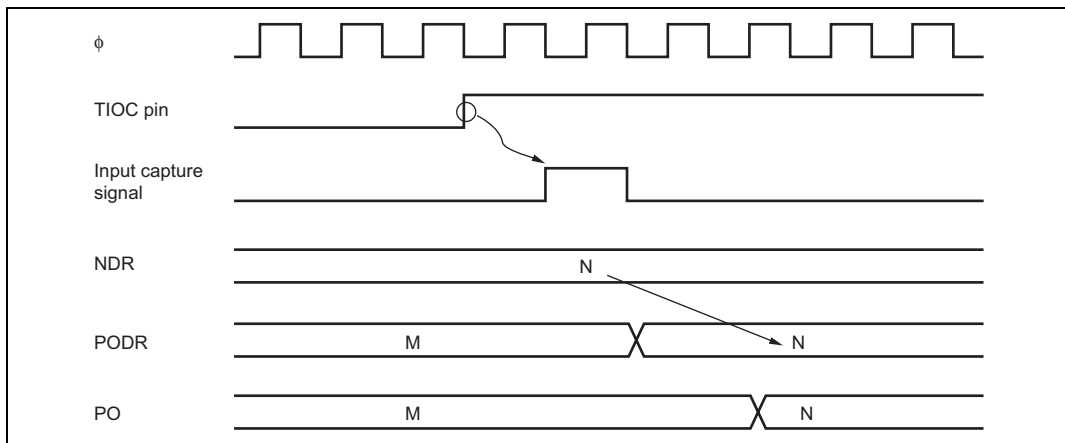


**Figure 12.10 Inverted Pulse Output (Example)**

## 12.4.8 Pulse Output Triggered by Input Capture

Pulse output can be triggered by TPU input capture as well as by compare match. If TGRA functions as an input capture register in the TPU channel selected by PCR, pulse output will be triggered by the input capture signal.

Figure 12.11 shows the timing of this output.



**Figure 12.11 Pulse Output Triggered by Input Capture (Example)**

## 12.5 Usage Notes

### 12.5.1 Module Stop Mode Setting

PPG operation can be disabled or enabled using the module stop control register. The initial value is for PPG operation to be halted. Register access is enabled by clearing module stop mode. For details, refer to section 24, Power-Down Modes.

### 12.5.2 Operation of Pulse Output Pins

Pins PO0 to PO15 are also used for other peripheral functions such as the TPU. When output by another peripheral function is enabled, the corresponding pins cannot be used for pulse output. Note, however, that data transfer from NDR bits to PODR bits takes place, regardless of the usage of the pins.

Pin functions should be changed only under conditions in which the output trigger event will not occur.



## Section 13 8-Bit Timers (TMR)

This LSI has an on-chip 8-bit timer module with two channels operating on the basis of an 8-bit counter. The 8-bit timer module can be used to count external events and be used as a multifunction timer in a variety of applications, such as generation of counter reset, interrupt requests, and pulse output with an arbitrary duty cycle using a compare-match signal with two registers.

### 13.1 Features

- Selection of four clock sources

The counters can be driven by one of three internal clock signals ( $\phi/8$ ,  $\phi/64$ , or  $\phi/8192$ ) or an external clock input

- Selection of three ways to clear the counters

The counters can be cleared on compare match A or B, or by an external reset signal

- Timer output control by a combination of two compare match signals

The timer output signal in each channel is controlled by a combination of two independent compare match signals, enabling the timer to generate output waveforms with an arbitrary duty cycle or PWM output

- Provision for cascading of two channels (TMR\_0 and TMR\_1)

Operation as a 16-bit timer is possible, using TMR\_0 for the upper 8 bits and TMR\_1 for the lower 8 bits (16-bit count mode)

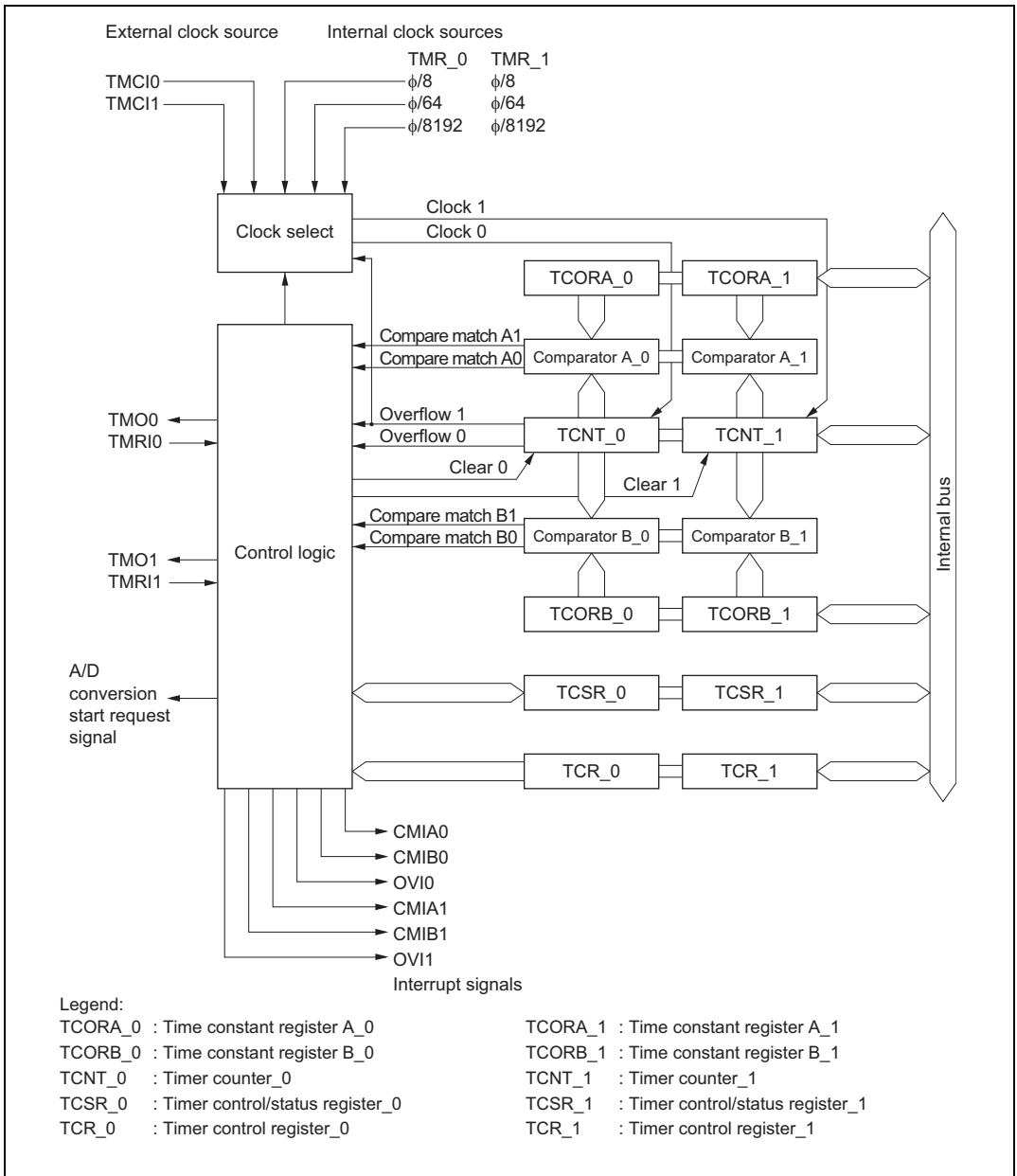
TMR\_1 can be used to count TMR\_0 compare matches (compare match count mode)

- Three independent interrupts

Compare match A and B and overflow interrupts can be requested independently

- A/D converter conversion start trigger can be generated

Figure 13.1 shows a block diagram of the 8-bit timer module (TMR\_0 and TMR\_1).

**Figure 13.1 Block Diagram of 8-Bit Timer Module**

## 13.2 Input/Output Pins

Table 13.1 shows the pin configuration of the 8-bit timer module.

**Table 13.1 Pin Configuration**

| Channel | Name                  | Symbol | I/O    | Function                          |
|---------|-----------------------|--------|--------|-----------------------------------|
| 0       | Timer output pin      | TMO0   | Output | Outputs at compare match          |
|         | Timer clock input pin | TMC10  | Input  | Inputs external clock for counter |
|         | Timer reset input pin | TMRI0  | Input  | Inputs external reset to counter  |
| 1       | Timer output pin      | TMO1   | Output | Outputs at compare match          |
|         | Timer clock input pin | TMC11  | Input  | Inputs external clock for counter |
|         | Timer reset input pin | TMRI1  | Input  | Inputs external reset to counter  |

## 13.3 Register Descriptions

The 8-bit timer module has the following registers. For details on the module stop control register, refer to section 24.1.2, Module Stop Control Registers H and L (MSTPCRH, MSTPCRL).

- Timer counter\_0 (TCNT\_0)
- Time constant register A\_0 (TCORA\_0)
- Time constant register B\_0 (TCORB\_0)
- Timer control register\_0 (TCR\_0)
- Timer control/status register\_0 (TCSR\_0)
- Timer counter\_1 (TCNT\_1)
- Time constant register A\_1 (TCORA\_1)
- Time constant register B\_1 (TCORB\_1)
- Timer control register\_1 (TCR\_1)
- Timer control/status register\_1 (TCSR\_1)

### 13.3.1 Timer Counter (TCNT)

TCNT is 8-bit up-counter. TCNT\_0 and TCNT\_1 comprise a single 16-bit register so they can be accessed together by a word transfer instruction. Bits CKS2 to CKS0 in TCR are used to select a clock. TCNT can be cleared by an external reset input or by a compare match signal A or B. Which signal is to be used for clearing is selected by bits CCLR1 and CCLR0 in TCR. When TCNT overflows from H'FF to H'00, OVF in TCSR is set to 1. TCNT is initialized to H'00.

### 13.3.2 Time Constant Register A (TCORA)

TCORA is 8-bit readable/writable register. TCORA\_0 and TCORA\_1 comprise a single 16-bit register so they can be accessed together by a word transfer instruction.

The value in TCORA is continually compared with the value in TCNT. When a match is detected, the corresponding CMFA flag in TCSR is set to 1. Note, however, that comparison is disabled during the T<sub>2</sub> state of a TCORA write cycle.

The timer output from the TMO pin can be freely controlled by this compare match signal (compare match A) and the settings of bits OS1 and OS0 in TCSR.

TCORA is initialized to H'FF.

### 13.3.3 Time Constant Register B (TCORB)

TCORB is 8-bit readable/writable register. TCORB\_0 and TCORB\_1 comprise a single 16-bit register so they can be accessed together by a word transfer instruction.

TCORB is continually compared with the value in TCNT. When a match is detected, the corresponding CMFB flag in TCSR is set to 1. Note, however, that comparison is disabled during the T<sub>2</sub> state of a TCOBR write cycle.

The timer output from the TMO pin can be freely controlled by this compare match signal (compare match B) and the settings of bits OS3 and OS2 in TCSR.

TCORB is initialized to H'FF.



### 13.3.4 Timer Control Register (TCR)

TCR selects the clock source and the time at which TCNT is cleared, and controls interrupts.

| Bit | Bit Name | Initial Value | R/W | Description   |
|-----|----------|---------------|-----|---|
| 7   | CMIEB    | 0             | R/W | Compare Match Interrupt Enable B<br>Selects whether CMFB interrupt requests (CMIB) are enabled or disabled when the CMFB flag in TCSR is set to 1.<br>0: CMFB interrupt requests (CMIB) are disabled<br>1: CMFB interrupt requests (CMIB) are enabled |
| 6   | CMIEA    | 0             | R/W | Compare Match Interrupt Enable A<br>Selects whether CMFA interrupt requests (CMIA) are enabled or disabled when the CMFA flag in TCSR is set to 1.<br>0: CMFA interrupt requests (CMIA) are disabled<br>1: CMFA interrupt requests (CMIA) are enabled |
| 5   | OVIE     | 0             | R/W | Timer Overflow Interrupt Enable<br>Selects whether OVF interrupt requests (OVI) are enabled or disabled when the OVF flag in TCSR is set to 1.<br>0: OVF interrupt requests (OVI) are disabled<br>1: OVF interrupt requests (OVI) are enabled         |
| 4   | CCLR1    | 0             | R/W | Counter Clear 1 and 0<br>These bits select the method by which TCNT is cleared.<br>00: Clearing is disabled<br>01: Clear by compare match A<br>10: Clear by compare match B<br>11: Clear by rising edge of external reset input                       |
| 3   | CCLR0    | 0             | R/W |   |
| 2   | CKS2     | 0             | R/W | Clock Select 2 to 0   |
| 1   | CKS1     | 0             | R/W | These bits select the clock input to TCNT and count condition. See table 13.2.  |
| 0   | CKS0     | 0             | R/W |   |

Table 13.2 Clock Input to TCNT and Count Condition

| Channel | TCR           |               |               | Description  |
|---------|---------------|---------------|---------------|--|
|         | Bit 2<br>CKS2 | Bit 1<br>CKS1 | Bit 0<br>CKS0 |  |
| TMR_0   | 0             | 0             | 0             | Clock input disabled                                     |
|         |               |               | 1             | Internal clock, counted at falling edge of $\phi/8$      |
|         |               | 1             | 0             | Internal clock, counted at falling edge of $\phi/64$     |
|         |               |               | 1             | Internal clock, counted at falling edge of $\phi/8192$   |
|         | 1             | 0             | 0             | Count at TCNT_1 overflow signal*                         |
| TMR_1   | 0             | 0             | 0             | Clock input disabled                                     |
|         |               |               | 1             | Internal clock, counted at falling edge of $\phi/8$      |
|         |               | 1             | 0             | Internal clock, counted at falling edge of $\phi/64$     |
|         |               |               | 1             | Internal clock, counted at falling edge of $\phi/8192$   |
|         | 1             | 0             | 0             | Count at TCNT_0 compare match A*                         |
| All     | 1             | 0             | 1             | External clock, counted at rising edge                   |
|         |               |               | 0             | External clock, counted at falling edge                  |
|         |               | 1             | 1             | External clock, counted at both rising and falling edges |

Note: \* If the count input of TMR\_0 is the TCNT\_1 overflow signal and that of TMR\_1 is the TCNT\_0 compare match signal, no incrementing clock is generated. Do not use this setting.

### 13.3.5 Timer Control/Status Register (TCSR)

TCSR displays status flags, and controls compare match output.

TCSR\_0

| Bit | Bit Name | Initial Value | R/W    | Description   |
|-----|----------|---------------|--------|---|
| 7   | CMFB     | 0             | R/(W)* | Compare Match Flag B<br>[Setting condition] <ul style="list-style-type: none"> <li>Set when TCNT matches TCORB</li> </ul> [Clearing conditions] <ul style="list-style-type: none"> <li>Cleared by reading CMFB when CMFB = 1, then writing 0 to CMFB</li> <li>When DTC is activated by CMIB interrupt while DISEL bit of MRB in DTC is 0</li> </ul> |
| 6   | CMFA     | 0             | R/(W)* | Compare Match Flag A<br>[Setting condition] <ul style="list-style-type: none"> <li>Set when TCNT matches TCORA</li> </ul> [Clearing conditions] <ul style="list-style-type: none"> <li>Cleared by reading CMFA when CMFA = 1, then writing 0 to CMFA</li> <li>When DTC is activated by CMIA interrupt while DISEL bit of MRB in DTC is 0</li> </ul> |
| 5   | OVF      | 0             | R/(W)* | Timer Overflow Flag<br>[Setting condition] <p>Set when TCNT overflows from H'FF to H'00</p> [Clearing condition] <p>Cleared by reading OVF when OVF = 1, then writing 0 to OVF</p>  |
| 4   | ADTE     | 0             | R/W    | A/D Trigger Enable<br>Selects enabling or disabling of A/D converter start requests by compare match A.<br>0: A/D converter start requests by compare match A are disabled<br>1: A/D converter start requests by compare match A are enabled  |

| Bit | Bit Name | Initial Value | R/W | Description  |
|-----|----------|---------------|-----|--|
| 3   | OS3      | 0             | R/W | Output Select 3 and 2  |
| 2   | OS2      | 0             | R/W | These bits select a method of TMO pin output when compare match B of TCORB and TCNT occurs.<br>00: No change when compare match B occurs<br>01: 0 is output when compare match B occurs<br>10: 1 is output when compare match B occurs<br>11: Output is inverted when compare match B occurs (toggle output) |
| 1   | OS1      | 0             | R/W | Output Select 1 and 0  |
| 0   | OS0      | 0             | R/W | These bits select a method of TMO pin output when compare match A of TCORA and TCNT occurs.<br>00: No change when compare match A occurs<br>01: 0 is output when compare match A occurs<br>10: 1 is output when compare match A occurs<br>11: Output is inverted when compare match A occurs (toggle output) |

Note: \* Only 0 can be written to bits 7 to 5, to clear these flags.

## TCSR\_1

| Bit | Bit Name | Initial Value | R/W    | Description   |
|-----|----------|---------------|--------|---|
| 7   | CMFB     | 0             | R/(W)* | Compare Match Flag B<br>[Setting condition] <ul style="list-style-type: none"> <li>Set when TCNT matches TCORB</li> </ul> [Clearing conditions] <ul style="list-style-type: none"> <li>Cleared by reading CMFB when CMFB = 1, then writing 0 to CMFB</li> <li>When DTC is activated by CMIB interrupt while DISEL bit of MRB in DTC is 0</li> </ul> |
| 6   | CMFA     | 0             | R/(W)* | Compare Match Flag A<br>[Setting condition] <ul style="list-style-type: none"> <li>Set when TCNT matches TCORA</li> </ul> [Clearing conditions] <ul style="list-style-type: none"> <li>Cleared by reading CMFA when CMFA = 1, then writing 0 to CMFA</li> <li>When DTC is activated by CMIA interrupt while DISEL bit of MRB in DTC is 0</li> </ul> |
| 5   | OVF      | 0             | R/(W)* | Timer Overflow Flag<br>[Setting condition] <ul style="list-style-type: none"> <li>Set when TCNT overflows from H'FF to H'00</li> </ul> [Clearing condition] <ul style="list-style-type: none"> <li>Cleared by reading OVF when OVF = 1, then writing 0 to OVF</li> </ul>  |
| 4   | —        | 1             | R      | Reserved<br><br>This bit is always read as 1 and cannot be modified.  |

| Bit | Bit Name | Initial Value | R/W | Description  |
|-----|----------|---------------|-----|--|
| 3   | OS3      | 0             | R/W | Output Select 3 and 2  |
| 2   | OS2      | 0             | R/W | These bits select a method of TMO pin output when compare match B of TCORB and TCNT occurs.<br>00: No change when compare match B occurs<br>01: 0 is output when compare match B occurs<br>10: 1 is output when compare match B occurs<br>11: Output is inverted when compare match B occurs (toggle output) |
| 1   | OS1      | 0             | R/W | Output Select 1 and 0  |
| 0   | OS0      | 0             | R/W | These bits select a method of TMO pin output when compare match A of TCORA and TCNT occurs.<br>00: No change when compare match A occurs<br>01: 0 is output when compare match A occurs<br>10: 1 is output when compare match A occurs<br>11: Output is inverted when compare match A occurs (toggle output) |

Note: \* Only 0 can be written to bits 7 to 5, to clear these flags.

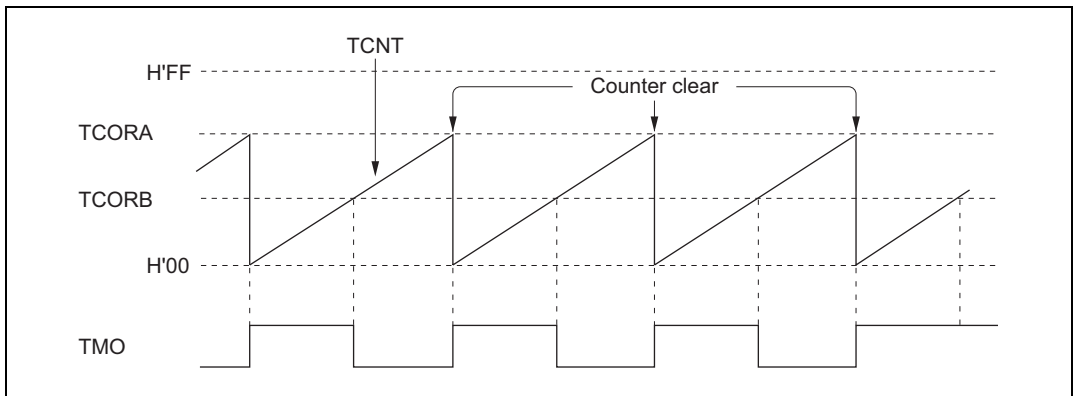
## 13.4 Operation

### 13.4.1 Pulse Output

Figure 13.2 shows an example that the 8-bit timer is used to generate a pulse output with a selected duty cycle. The control bits are set as follows:

- [1] In TCR, bit CCLR1 is cleared to 0 and bit CCLR0 is set to 1 so that the timer counter is cleared at a TCORA compare match.
- [2] In TCSR, bits OS3 to OS0 are set to B'0110, causing the output to change to 1 at a TCORA compare match and to 0 at a TCORB compare match.

With these settings, the 8-bit timer provides output of pulses at a rate determined by TCORA with a pulse width determined by TCORB. No software intervention is required.

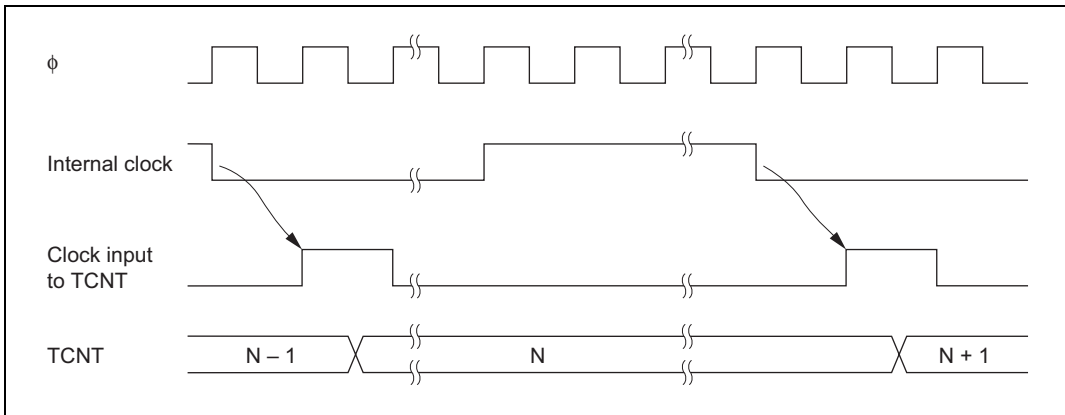


**Figure 13.2 Example of Pulse Output**

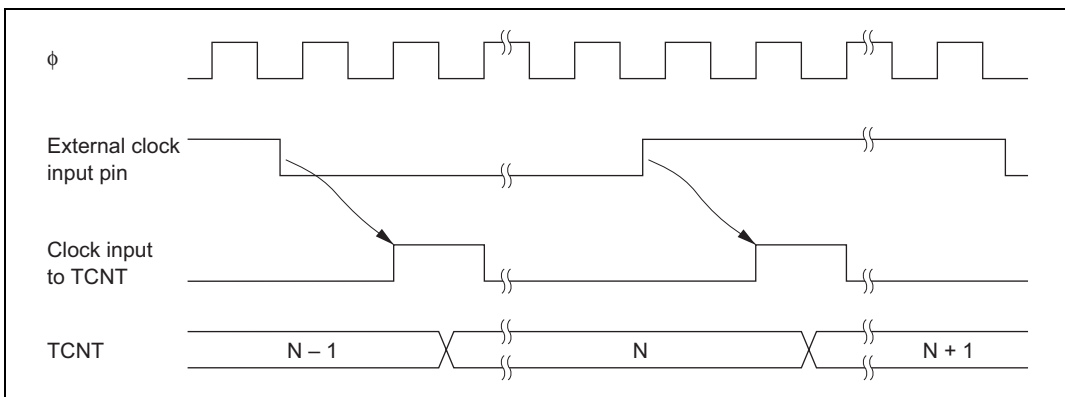
## 13.5 Operation Timing

### 13.5.1 TCNT Incrementation Timing

Figure 13.3 shows the count timing for internal clock input. Figure 13.4 shows the count timing for external clock signal. Note that the external clock pulse width must be at least 1.5 states for incrementation at a single edge, and at least 2.5 states for incrementation at both edges. The counter will not increment correctly if the pulse width is less than these values.



**Figure 13.3 Count Timing for Internal Clock Input**

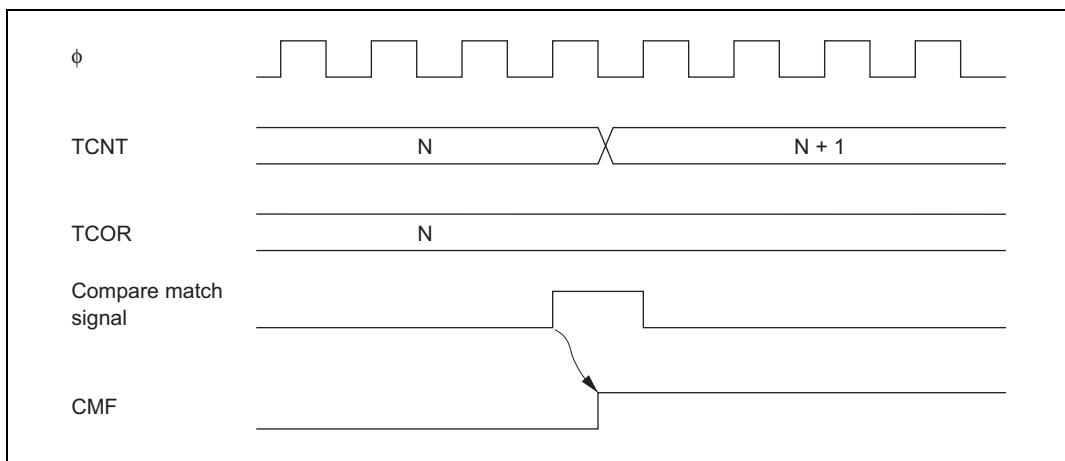


**Figure 13.4 Count Timing for External Clock Input**



### 13.5.2 Timing of CMFA and CMFB Setting when Compare-Match Occurs

The CMFA and CMFB flags in TCSR are set to 1 by a compare match signal generated when the TCOR and TCNT values match. The compare match signal is generated at the last state in which the match is true, just before the timer counter is updated. Therefore, when TCOR and TCNT match, the compare match signal is not generated until the next incrementation clock input. Figure 13.5 shows this timing.

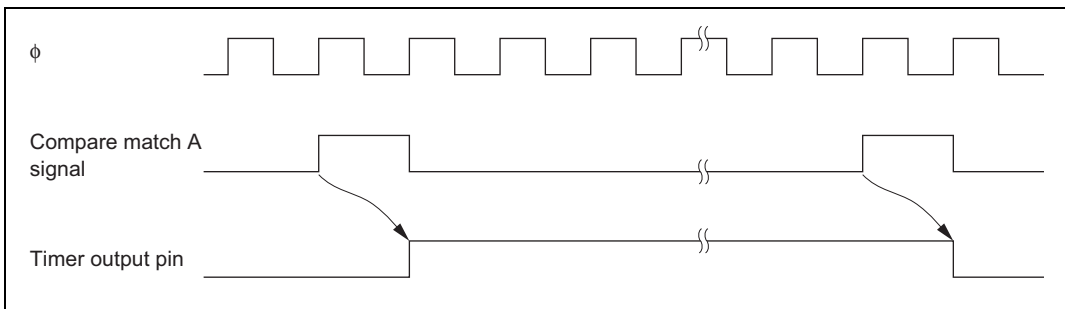


**Figure 13.5 Timing of CMF Setting**

### 13.5.3 Timing of Timer Output when Compare-Match Occurs

When compare match A or B occurs, the timer output changes as specified by bits OS3 to OS0 in TCSR.

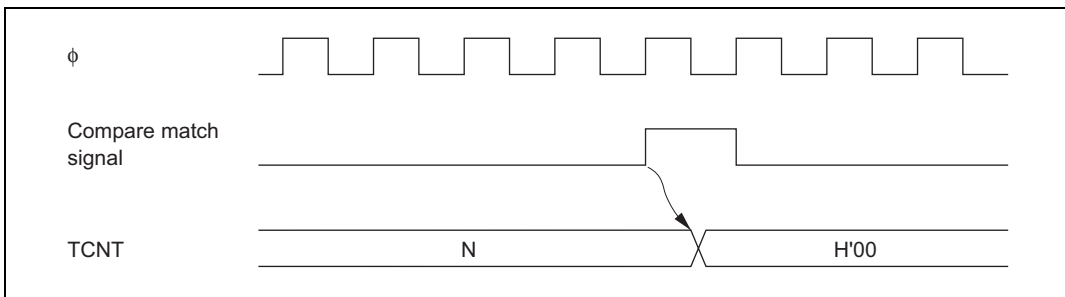
Figure 13.6 shows the timing when the output is set to toggle at compare match A.



**Figure 13.6 Timing of Timer Output**

### 13.5.4 Timing of Compare Match Clear

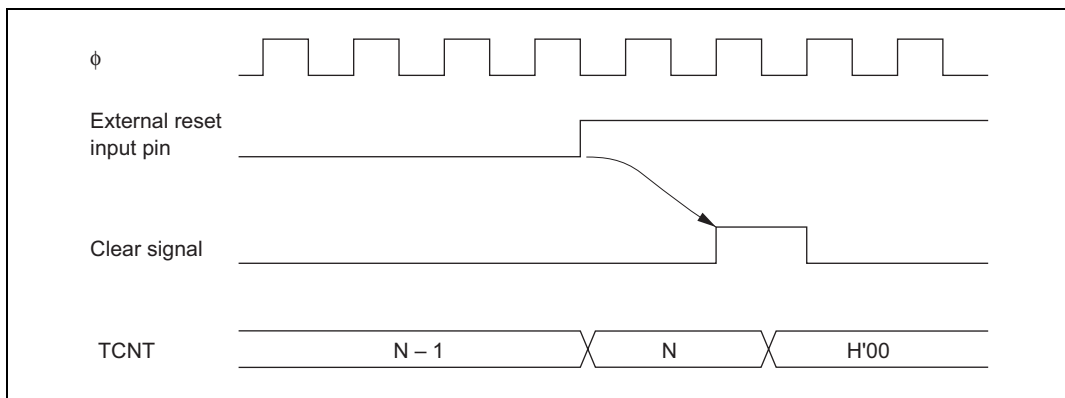
TCNT is cleared when compare match A or B occurs, depending on the setting of the CCLR1 and CCLR0 bits in TCR. Figure 13.7 shows the timing of this operation.



**Figure 13.7 Timing of Compare Match Clear**

### 13.5.5 Timing of TCNT External Reset

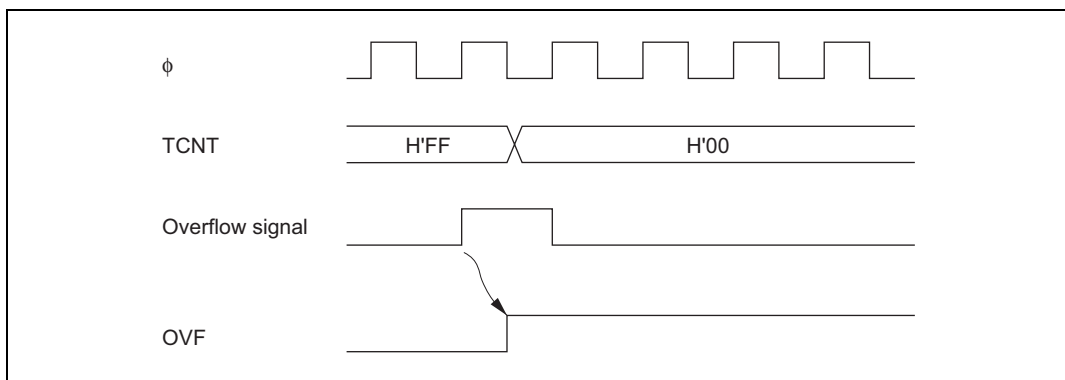
TCNT is cleared at the rising edge of an external reset input, depending on the settings of the CCLR1 and CCLR0 bits in TCR. The clear pulse width must be at least 1.5 states. Figure 13.8 shows the timing of this operation.



**Figure 13.8 Timing of Clearance by External Reset**

### 13.5.6 Timing of Overflow Flag (OVF) Setting

The OVF in TCSR is set to 1 when TCNT overflows (changes from  $H'FF$  to  $H'00$ ). Figure 13.9 shows the timing of this operation.



**Figure 13.9 Timing of OVF Setting**

## 13.6 Operation with Cascaded Connection

If bits CKS2 to CKS0 in either TCR\_0 or TCR\_1 are set to B'100, the 8-bit timers of the two channels are cascaded. With this configuration, a single 16-bit timer could be used (16-bit counter mode) or compare matches of the 8-bit channel 0 could be counted by the timer of channel 1 (compare match count mode). In this case, the timer operates as below.

### 13.6.1 16-Bit Counter Mode

When bits CKS2 to CKS0 in TCR\_0 are set to B'100, the timer functions as a single 16-bit timer with channel 0 occupying the upper 8 bits and channel 1 occupying the lower 8 bits.

[1] Setting of compare match flags

- The CMF flag in TCSR\_0 is set to 1 when a 16-bit compare match event occurs.
- The CMF flag in TCSR\_1 is set to 1 when a lower 8-bit compare match event occurs.

[2] Counter clear specification

- If the CCLR1 and CCLR0 bits in TCR\_0 have been set for counter clear at compare match, the 16-bit counters (TCNT\_0 and TCNT\_1 together) are cleared when a 16-bit compare match event occurs. The 16-bit counters (TCNT0 and TCNT1 together) are cleared even if counter clear by the TMRI0 pin has also been set.
- The settings of the CCLR1 and CCLR0 bits in TCR\_1 are ignored. The lower 8 bits cannot be cleared independently.

[3] Pin output

- Control of output from the TMO0 pin by bits OS3 to OS0 in TCSR\_0 is in accordance with the 16-bit compare match conditions.
- Control of output from the TMO1 pin by bits OS3 to OS0 in TCSR\_1 is in accordance with the lower 8-bit compare match conditions.

### 13.6.2 Compare Match Count Mode

When bits CKS2 to CKS0 in TCR\_1 are B'100, TCNT\_1 counts compare match A's for channel 0.

Channels 0 and 1 are controlled independently. Conditions such as setting of the CMF flag, generation of interrupts, output from the TMO pin, and counter clear are in accordance with the settings for each channel.

## 13.7 Interrupt Sources

### 13.7.1 Interrupt Sources and DTC Activation

There are three 8-bit timer interrupt sources: CMIA, CMIB, and OVI. Their relative priorities are shown in table 13.3. Each interrupt source is set as enabled or disabled by the corresponding interrupt enable bit in TCR or TCSR, and independent interrupt requests are sent for each to the interrupt controller. It is also possible to activate the DTC by means of CMIA and CMIB interrupts.

**Table 13.3 8-Bit Timer Interrupt Sources**

| Name  | Interrupt Source      | Interrupt Flag | DTC Activation | Priority  |
|-------|-----------------------|----------------|----------------|-----------|
| CMIA0 | TCORA_0 compare match | CMFA           | Possible       | High      |
| CMIB0 | TCORB_0 compare match | CMFB           | Possible       | ↑<br>High |
| OVI0  | TCNT_0 overflow       | OVF            | Not possible   | Low       |
| CMIA1 | TCORA_1 compare match | CMFA           | Possible       | High      |
| CMIB1 | TCORB_1 compare match | CMFB           | Possible       | ↑<br>High |
| OVI1  | TCNT_1 overflow       | OVF            | Not possible   | Low       |

### 13.7.2 A/D Converter Activation

The A/D converter can be activated only by TMR\_0 compare match A.

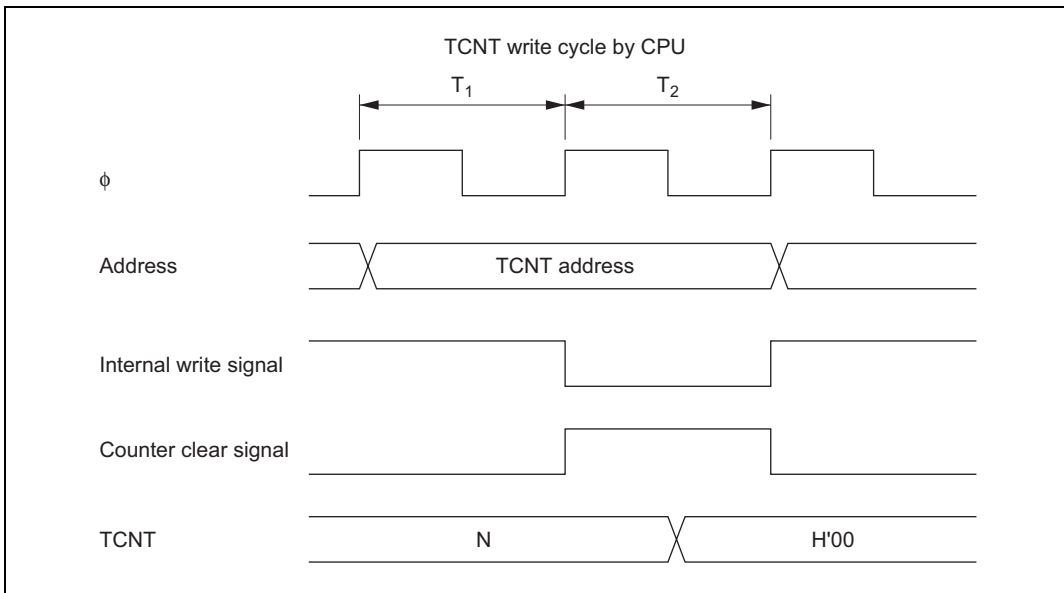
If the ADTE bit in TCSR0 is set to 1 when the CMFA flag is set to 1 by the occurrence of TMR\_0 compare match A, a request to start A/D conversion is sent to the A/D converter. If the 8-bit timer conversion start trigger has been selected on the A/D converter side at this time, A/D conversion is started.

## 13.8 Usage Notes

### 13.8.1 Contention between TCNT Write and Clear

If a timer counter clock pulse is generated during the  $T_2$  state of a TCNT write cycle, the clear takes priority, so that the counter is cleared and the write is not performed.

Figure 13.10 shows this operation.

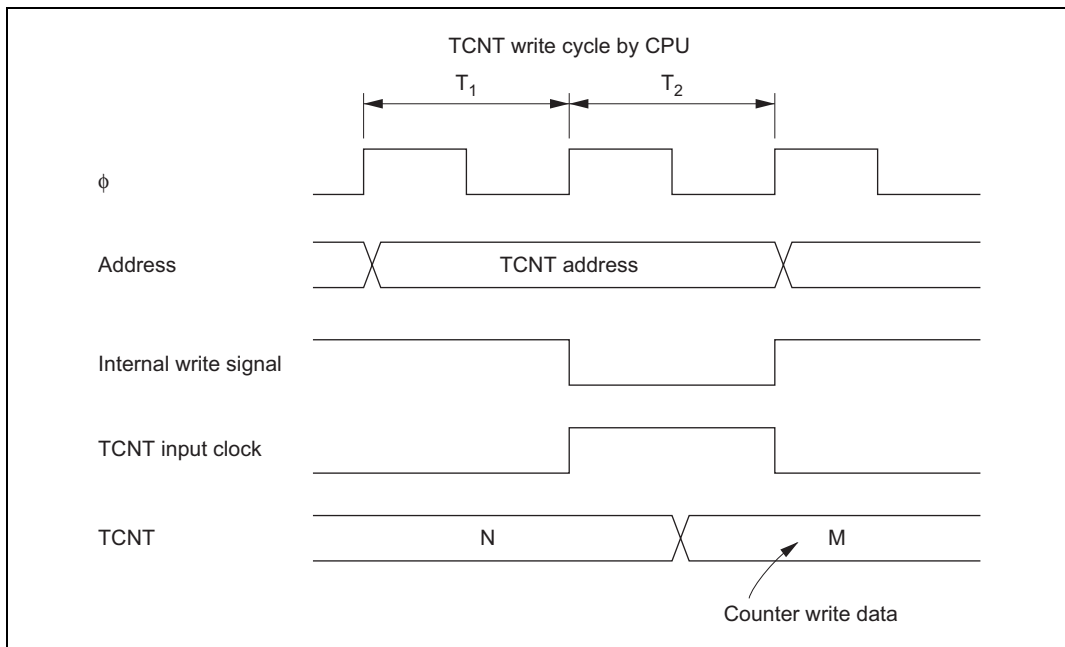


**Figure 13.10 Contention between TCNT Write and Clear**

### 13.8.2 Contention between TCNT Write and Increment

If a timer counter clock pulse is generated during the  $T_2$  state of a TCNT write cycle, the write takes priority and the counter is not incremented.

Figure 13.11 shows this operation.

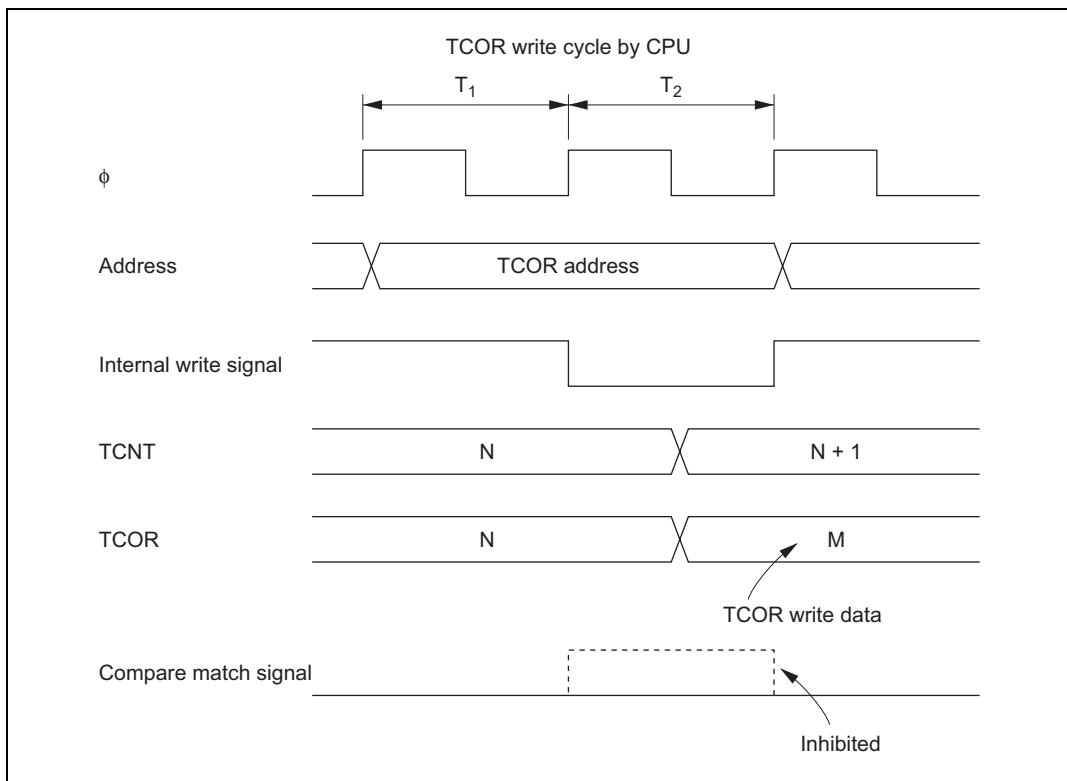


**Figure 13.11 Contention between TCNT Write and Increment**

### 13.8.3 Contention between TCOR Write and Compare Match

During the  $T_2$  state of a TCOR write cycle, the TCOR write has priority and the compare match signal is inhibited even if a compare match event occurs as shown in figure 13.12.

When using the TMR, ICR input capture is in contention with compare match in the same way as writes to the TCOR. In such cases input capture has precedence and the compare match signal is inhibited.



**Figure 13.12 Contention between TCOR Write and Compare Match**



### 13.8.4 Contention between Compare Matches A and B

If compare match events A and B occur at the same time, the 8-bit timer operates in accordance with the priorities for the output statuses set for compare match A and compare match B, as shown in table 13.4.

**Table 13.4 Timer Output Priorities**

| Output Setting | Priority |
|----------------|----------|
| Toggle output  | High     |
| 1 output       | ↑        |
| 0 output       |          |
| No change      | Low      |

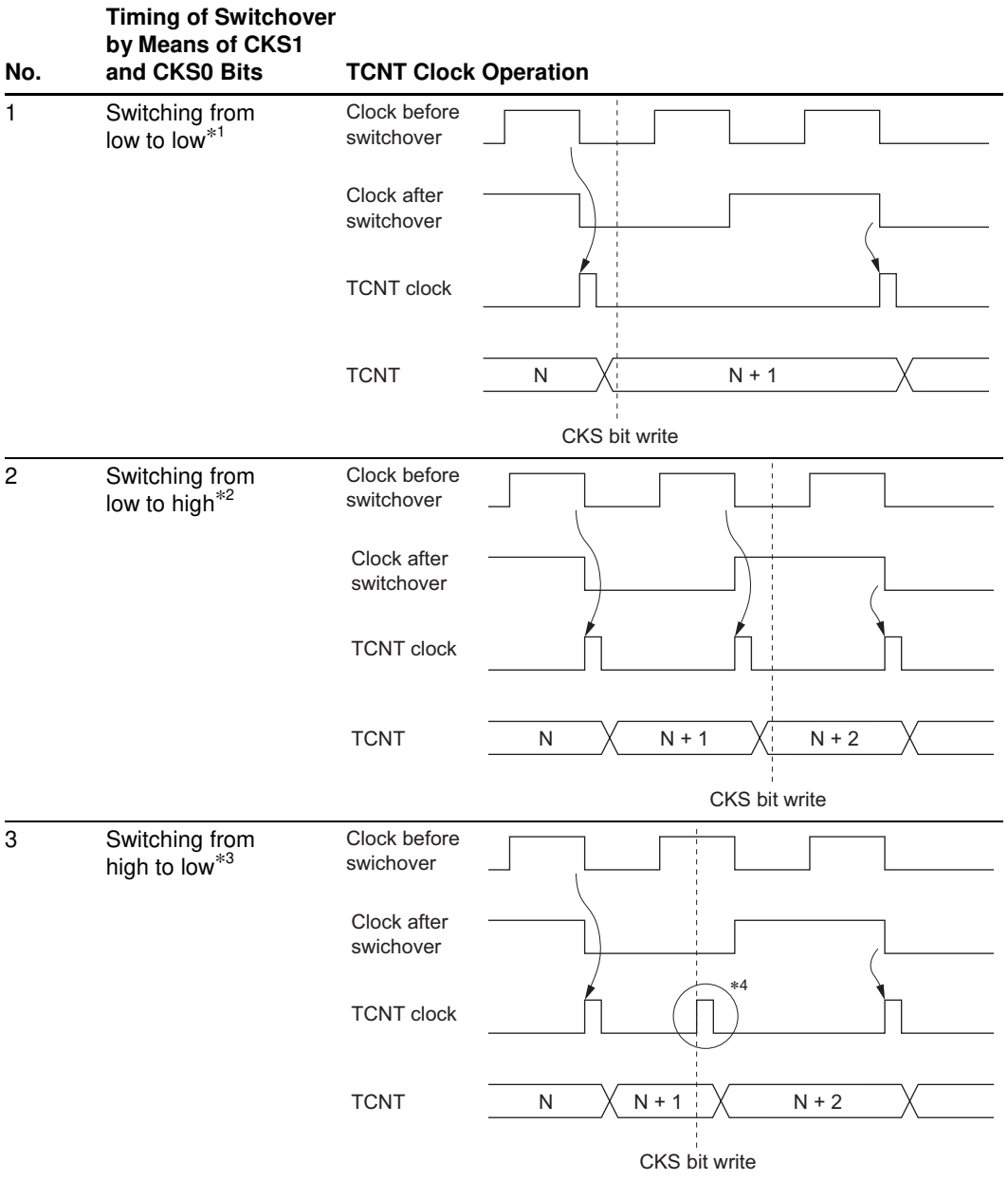
### 13.8.5 Switching of Internal Clocks and TCNT Operation

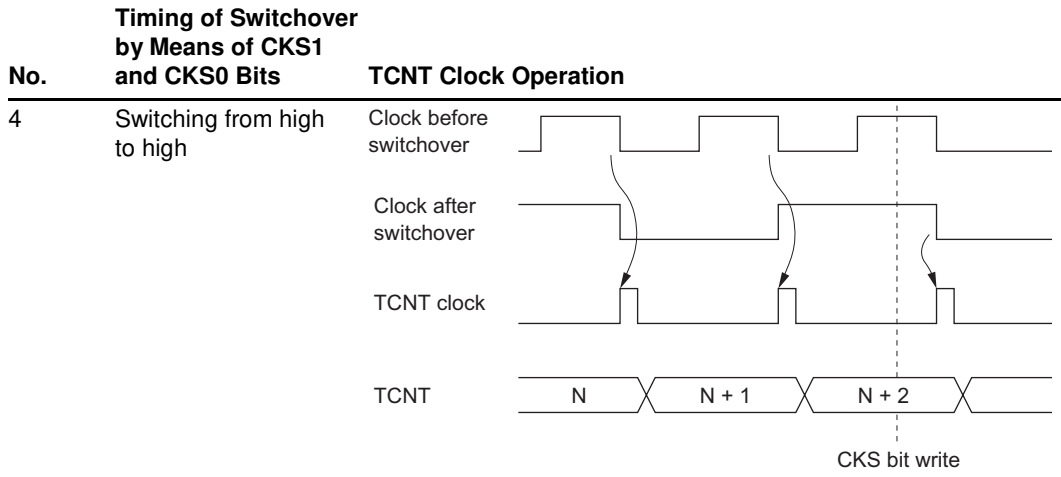
TCNT may increment erroneously when the internal clock is switched over. Table 13.5 shows the relationship between the timing at which the internal clock is switched (by writing to the CKS1 and CKS0 bits) and the TCNT operation.

When the TCNT clock is generated from an internal clock, the falling edge of the internal clock pulse is detected. If clock switching causes a change from high to low level, as shown in case 3 in table 13.5, a TCNT clock pulse is generated on the assumption that the switchover is a falling edge. This increments TCNT.

The erroneous incrementation can also happen when switching between internal and external clocks.

Table 13.5 Switching of Internal Clock and TCNT Operation





- Notes:
1. Includes switching from low to stop, and from stop to low.
  2. Includes switching from stop to high.
  3. Includes switching from high to stop.
  4. Generated on the assumption that the switchover is a falling edge; TCNT is incremented.

### 13.8.6 Mode Setting with Cascaded Connection

If 16-bit counter mode and compare match count mode are specified at the same time, input clocks for TCNT\_0 and TCNT\_1 are not generated, and the counter stops. Do not specify 16-bit counter and compare match count modes simultaneously.

### 13.8.7 Interrupts in Module Stop Mode

If module stop mode is entered when an interrupt has been requested, it will not be possible to clear the CPU interrupt source or the DTC and DMAC activation source. Interrupts should therefore be disabled before entering module stop mode.



## Section 14 Watchdog Timer (WDT)

The watchdog timer (WDT) is an 8-bit timer that outputs an overflow signal ( $\overline{\text{WDTOVF}}$ ) if a system crash prevents the CPU from writing to the timer counter, thus allowing it to overflow.

At the same time, the WDT can also generate an internal reset signal.

When this watchdog function is not needed, the WDT can be used as an interval timer. In interval timer operation, an interval timer interrupt is generated each time the counter overflows.

The block diagram of the WDT is shown in figure 14.1.

### 14.1 Features

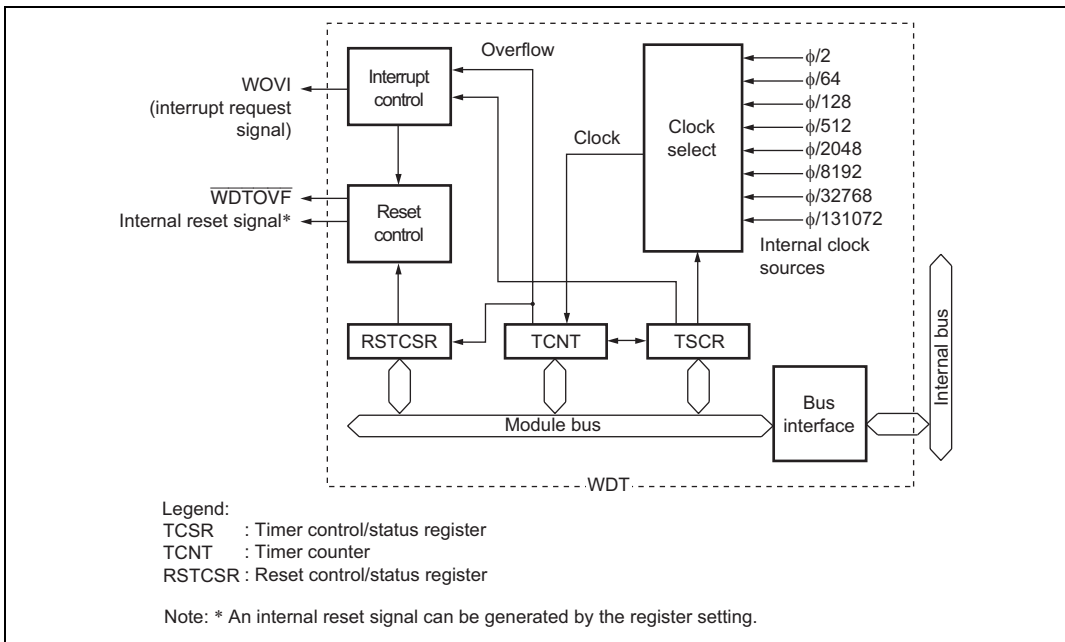
- Selectable from eight counter input clocks
- Switchable between watchdog timer mode and interval timer mode

In watchdog timer mode

- If the counter overflows, the WDT outputs  $\overline{\text{WDTOVF}}$ . It is possible to select whether or not the entire chip is reset at the same time.

In interval timer mode

- If the counter overflows, the WDT generates an interval timer interrupt (WOVI).



**Figure 14.1 Block Diagram of WDT**

## 14.2 Input/Output Pin

Table 14.1 shows the WDT pin configuration.

**Table 14.1 Pin Configuration**

| Name                    | Symbol | I/O    | Function   |
|-------------------------|--------|--------|--|
| Watchdog timer overflow | WDTOVF | Output | Outputs counter overflow signal in watchdog timer mode |

## 14.3 Register Descriptions

The WDT has the following three registers. To prevent accidental overwriting, TCSR, TCNT, and RSTCSR have to be written to in a method different from normal registers. For details, refer to section 14.6.1, Notes on Register Access.

- Timer counter (TCNT)
- Timer control/status register (TCSR)
- Reset control/status register (RSTCSR)

### 14.3.1 Timer Counter (TCNT)

TCNT is an 8-bit readable/writable up-counter. TCNT is initialized to H'00 when the TME bit in TCSR is cleared to 0.

### 14.3.2 Timer Control/Status Register (TCSR)

TCSR selects the clock source to be input to TCNT, and the timer mode.

| Bit | Bit Name | Initial Value | R/W    | Description  |
|-----|----------|---------------|--------|--|
| 7   | OVF      | 0             | R/(W)* | <p>Overflow Flag</p> <p>Indicates that TCNT has overflowed in interval timer mode. Only a write of 0 is permitted, to clear the flag.</p> <p>[Setting condition]</p> <p>When TCNT overflows in interval timer mode (changes from H'FF to H'00)</p> <p>When internal reset request generation is selected in watchdog timer mode, OVF is cleared automatically by the internal reset.</p> <p>[Clearing conditions]</p> <p>Cleared by reading TCSR when OVF = 1, then writing 0 to OVF</p> |

| Bit  | Bit Name | Initial Value | R/W | Description  |
|------|----------|---------------|-----|--|
| 6    | WT/IT    | 0             | R/W | <p>Timer Mode Select</p> <p>Selects whether the WDT is used as a watchdog timer or interval timer.</p> <p>0: Interval timer mode</p> <p>When TCNT overflows, an interval timer interrupt (WOVI) is requested.</p> <p>1: Watchdog timer mode</p> <p>When TCNT overflows, the <math>\overline{\text{WDTOVF}}</math> signal is output.</p>  |
| 5    | TME      | 0             | R/W | <p>Timer Enable</p> <p>When this bit is set to 1, TCNT starts counting. When this bit is cleared, TCNT stops counting and is initialized to H'00.</p>  |
| 4, 3 | —        | All 1         | —   | <p>Reserved</p> <p>These bits are always read as 1 and cannot be modified.</p>   |
| 2    | CKS2     | 0             | R/W | Clock Select 2 to 0  |
| 1    | CKS1     | 0             | R/W | <p>Selects the clock source to be input to TCNT. The overflow frequency for <math>\phi = 20</math> MHz is enclosed in parentheses.</p> <p>000: Clock <math>\phi/2</math> (frequency: 25.6 <math>\mu\text{s}</math>)</p> <p>001: Clock <math>\phi/64</math> (frequency: 819.2 <math>\mu\text{s}</math>)</p> <p>010: Clock <math>\phi/128</math> (frequency: 1.6 ms)</p> <p>011: Clock <math>\phi/512</math> (frequency: 6.6 ms)</p> <p>100: Clock <math>\phi/2048</math> (frequency: 26.2 ms)</p> <p>101: Clock <math>\phi/8192</math> (frequency: 104.9 ms)</p> <p>110: Clock <math>\phi/32768</math> (frequency: 419.4 ms)</p> <p>111: Clock <math>\phi/131072</math> (frequency: 1.68 s)</p> |
| 0    | CKS0     | 0             | R/W |  |

Note: \* Only a write of 0 is permitted, to clear the flag.



### 14.3.3 Reset Control/Status Register (RSTCSR)

RSTCSR controls the generation of the internal reset signal when TCNT overflows, and selects the type of internal reset signal. RSTCSR is initialized to H'1F by a reset signal from the  $\overline{\text{RES}}$  pin, but not by the WDT internal reset signal caused by overflows.

| Bit          | Bit Name | Initial Value | R/W    | Description  |
|--------------|----------|---------------|--------|--|
| 7            | WOVF     | 0             | R/(W)* | <p>Watchdog Timer Overflow Flag</p> <p>This bit is set when TCNT overflows in watchdog timer mode. This bit cannot be set in interval timer mode, and only 0 can be written.</p> <p>[Setting condition]</p> <p>Set when TCNT overflows (changed from H'FF to H'00) in watchdog timer mode</p> <p>[Clearing condition]</p> <p>Cleared by reading RSTCSR when WOVF = 1, and then writing 0 to WOVF</p> |
| 6            | RSTE     | 0             | R/W    | <p>Reset Enable</p> <p>Specifies whether or not a reset signal is generated in the chip if TCNT overflows during watchdog timer operation.</p> <p>0: Reset signal is not generated even if TCNT overflows<br/>(Though this LSI is not reset, TCNT and TCSR in WDT are reset)</p> <p>1: Reset signal is generated if TCNT overflows</p>   |
| 5            | —        | 0             | R/W    | <p>Reserved</p> <p>Can be read and written, but does not affect operation.</p>   |
| 4<br>to<br>0 | —        | All 1         | —      | <p>Reserved</p> <p>These bits are always read as 1 and cannot be modified.</p>   |

Note: \* Only a write of 0 is permitted, to clear the flag.

## 14.4 Operation

### 14.4.1 Watchdog Timer Mode

To use the WDT as a watchdog timer mode, set the  $\overline{WT/IT}$  and TME bits in TCSR to 1.

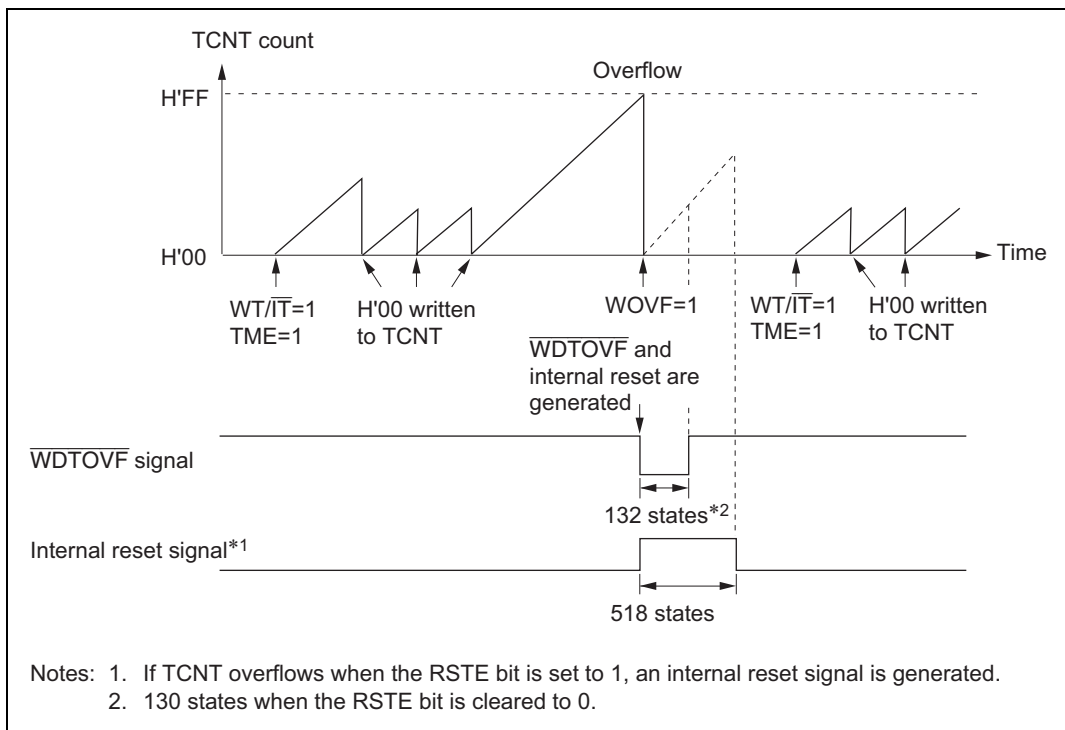
If TCNT overflows without being rewritten because of a system crash or other error, the  $\overline{WDTOVF}$  signal is output.

This ensures that TCNT does not overflow while the system is operating normally. Software must prevent TCNT overflows by rewriting the TCNT value (normally be writing H'00) before overflow occurs. This  $\overline{WDTOVF}$  signal can be used to reset the chip internally in watchdog timer mode.

If TCNT overflows when 1 is set in the RSTE bit in RSTCSR, a signal that resets this LSI internally is generated at the same time as the  $\overline{WDTOVF}$  signal. If a reset caused by a signal input to the  $\overline{RES}$  pin occurs at the same time as a reset caused by a WDT overflow, the  $\overline{RES}$  pin reset has priority and the WOVF bit in RSTCSR is cleared to 0.

The  $\overline{WDTOVF}$  signal is output for 132 states when RSTE = 1, and for 130 states when RSTE = 0. The internal reset signal is output for 518 states.

When TCNT overflows in watchdog timer mode, the WOVF bit in RSTCSR is set to 1. If TCNT overflows when 1 is set in the RSTE bit in RSTCSR, an internal reset signal is generated to the entire chip.



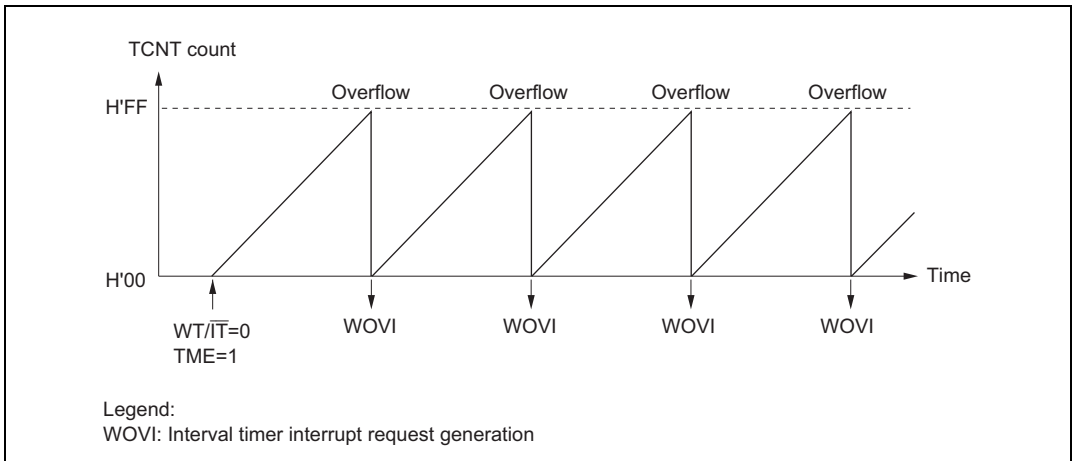
**Figure 14.2 Operation in Watchdog Timer Mode**

### 14.4.2 Interval Timer Mode

To use the WDT as an interval timer, set the  $\overline{WT/\overline{IT}}$  bit to 0 and TME bit in TCSR to 1.

When the WDT is used as an interval timer, an interval timer interrupt (WOVI) is generated each time the TCNT overflows. Therefore, an interrupt can be generated at intervals.

When the TCNT overflows in interval timer mode, an interval timer interrupt (WOVI) is requested at the same time the OVF bit in the TCSR is set to 1.



**Figure 14.3 Operation in Interval Timer Mode**

## 14.5 Interrupt Source

During interval timer mode operation, an overflow generates an interval timer interrupt (WOVI). The interval timer interrupt is requested whenever the OVF flag is set to 1 in TCSR. OVF must be cleared to 0 in the interrupt handling routine.

**Table 14.2 WDT Interrupt Source**

| Name | Interrupt Source | Interrupt Flag | DTC Activation |
|------|------------------|----------------|----------------|
| WOVI | TCNT overflow    | OVF            | Impossible     |

## 14.6 Usage Notes

### 14.6.1 Notes on Register Access

The watchdog timer's TCNT, TCSR, and RSTCSR registers differ from other registers in being more difficult to write to. The procedures for writing to and reading these registers are given below.

#### Writing to TCNT, TCSR, and RSTCSR

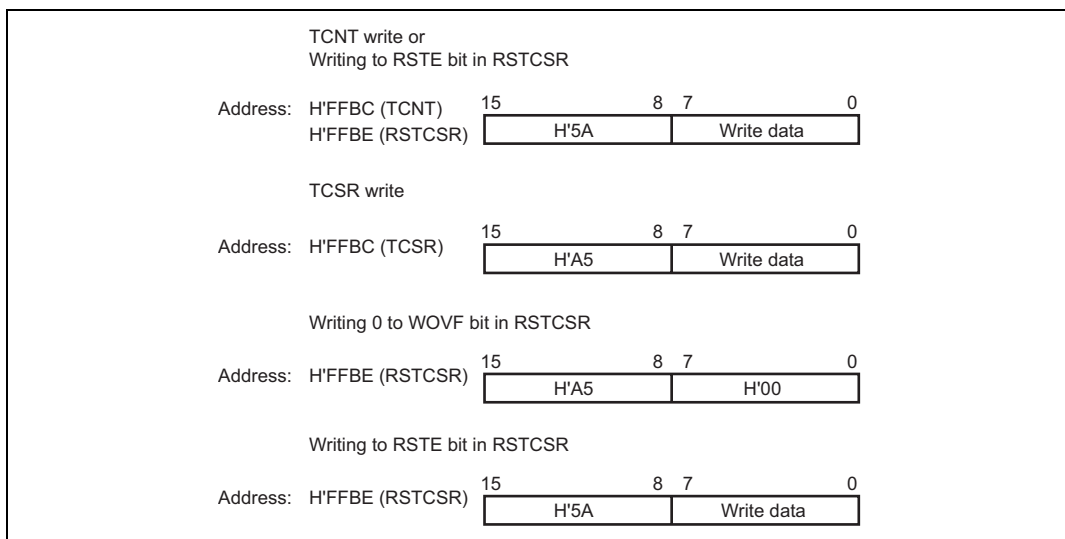
TCNT and TCSR must be written to by a word transfer instruction. They cannot be written to by a byte transfer instruction.

TCNT and TCSR both have the same write address. Therefore, satisfy the relative condition shown in figure 14.4 to write to TCNT or TCSR. The transfer instruction writes the lower byte data to TCNT or TCSR according to the satisfied condition.

To write to RSTCSR, execute a word transfer instruction for address H'FFBE. A byte transfer instruction cannot perform writing to RSTCSR.

The method of writing 0 to the WOVF bit differs from that of writing to the RSTE bit. To write 0 to the WOVF bit, satisfy the lower condition shown in figure 14.4.

If satisfied, the transfer instruction clears the WOVF bit to 0, but has no effect on the RSTE bit. To write to the RSTE bit, satisfy the above condition shown in figure 14.4. If satisfied, the transfer instruction writes the value in bit 6 of the lower byte into the RSTE bit, but has no effect on the WOVF bit.



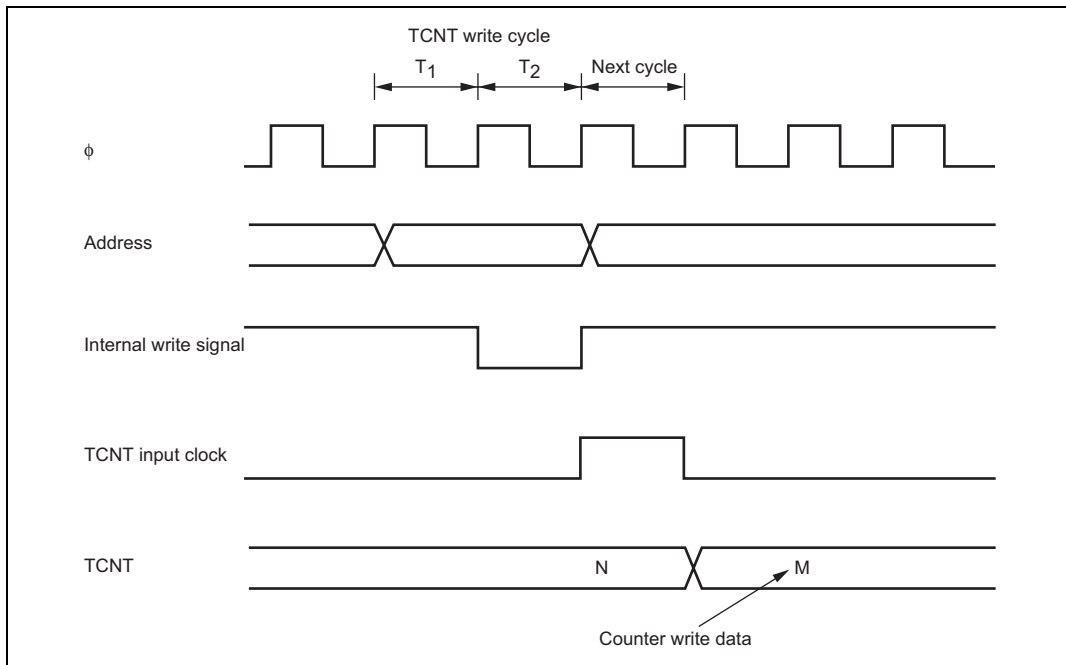
**Figure 14.4 Writing to TCNT, TCSR, and RSTCSR**

### Reading TCNT, TCSR, and RSTCSR

These registers are read in the same way as other registers. The read addresses are H'FFBC for TCSR, H'FFBD for TCNT, and H'FFBF for RSTCSR.

### 14.6.2 Contention between Timer Counter (TCNT) Write and Increment

If a timer counter clock pulse is generated during the next cycle after the  $T_2$  state of a TCNT write cycle, the write takes priority and the timer counter is not incremented. Figure 14.5 shows this operation.



**Figure 14.5 Contention between TCNT Write and Increment**

### 14.6.3 Changing Value of CKS2 to CKS0

If bits CKS2 to CKS0 in TCSR are written to while the WDT is operating, errors could occur in the incrementation. Software must stop the watchdog timer (by clearing the TME bit to 0) before changing the value of bits CKS2 to CKS0.

### 14.6.4 Switching between Watchdog Timer Mode and Interval Timer Mode

If the mode is switched from watchdog timer to interval timer, while the WDT is operating, errors could occur in the incrementation. Software must stop the watchdog timer (by clearing the TME bit to 0) before switching the mode.

### 14.6.5 Internal Reset in Watchdog Timer Mode

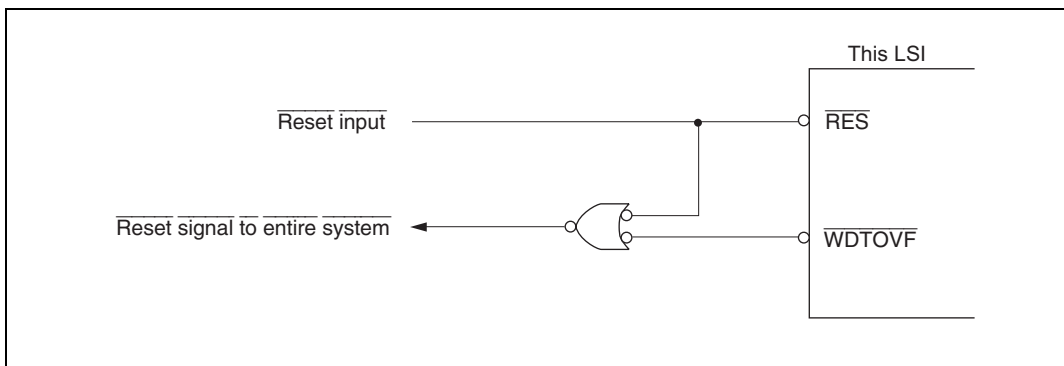
This LSI is not reset internally if TCNT overflows while the RSTE bit is cleared to 0 during watchdog timer mode operation, but TCNT and TCSR of the WDT are reset.

TCNT, TCSR, and RSTCR cannot be written to while the  $\overline{\text{WDTOVF}}$  signal is low. Also note that a read of the WOVF flag is not recognized during this period. To clear the WOVF flag, therefore, read TCSR after the  $\overline{\text{WDTOVF}}$  signal goes high, then write 0 to the WOVF flag.

### 14.6.6 System Reset by $\overline{\text{WDTOVF}}$ Signal

If the  $\overline{\text{WDTOVF}}$  output signal is input to the  $\overline{\text{RES}}$  pin, the chip will not be initialized correctly. Make sure that the  $\overline{\text{WDTOVF}}$  signal is not input logically to the  $\overline{\text{RES}}$  pin.

To reset the entire system by means of the  $\overline{\text{WDTOVF}}$  signal, use the circuit shown in figure 14.6.



**Figure 14.6** Circuit for System Reset by  $\overline{\text{WDTOVF}}$  Signal (Example)





## Section 15 Serial Communication Interface (SCI, IrDA)

This LSI has five independent serial communication interface (SCI) channels. The SCI can handle both asynchronous and clocked synchronous serial communication. Serial data communication can be carried out with standard asynchronous communication chips such as a Universal Asynchronous Receiver/Transmitter (UART) or Asynchronous Communication Interface Adapter (ACIA). A function is also provided for serial communication between processors (multiprocessor communication function) in asynchronous mode. The SCI also supports an IC card (Smart Card) interface conforming to ISO/IEC 7816-3 (Identification Card) as an asynchronous serial communication interface extension function. One of the five SCI channels (SCI\_0) can generate an IrDA communication waveform conforming to IrDA specification version 1.0.

Figure 15.1 shows a block diagram of the SCI.

### 15.1 Features

- Choice of asynchronous or clocked synchronous serial communication mode
- Full-duplex communication capability  
The transmitter and receiver are mutually independent, enabling transmission and reception to be executed simultaneously. Double-buffering is used in both the transmitter and the receiver, enabling continuous transmission and continuous reception of serial data.
- On-chip baud rate generator allows any bit rate to be selected  
External clock can be selected as a transfer clock source (except for in Smart Card interface mode).
- Choice of LSB-first or MSB-first transfer (except in the case of asynchronous mode 7-bit data)
- Four interrupt sources  
Four interrupt sources — transmit-end, transmit-data-empty, receive-data-full, and receive error — that can issue requests. The transmit-data-empty interrupt and receive data full interrupts can activate the data transfer controller (DTC) or DMA controller (DMAC).
- Module stop mode can be set

Asynchronous mode

- Data length: 7 or 8 bits
- Stop bit length: 1 or 2 bits
- Parity: Even, odd, or none
- Receive error detection: Parity, overrun, and framing errors

- Break detection: Break can be detected by reading the RxD pin level directly in case of a framing error
- Average transfer rate generator (only for H8S/2378R Group): The following transfer rate can be selected (SCI\_2 only)
  - 115.152 or 460.606 kbps at 10.667-MHz operation
  - 115.196, 460.784, or 720 kbps at 16-MHz operation
  - 720 kbps at 32-MHz operation

#### Clocked Synchronous mode

- Data length: 8 bits
- Receive error detection: Overrun errors detected

#### Smart Card Interface

- Automatic transmission of error signal (parity error) in receive mode
- Error signal detection and automatic data retransmission in transmit mode
- Direct convention and inverse convention both supported

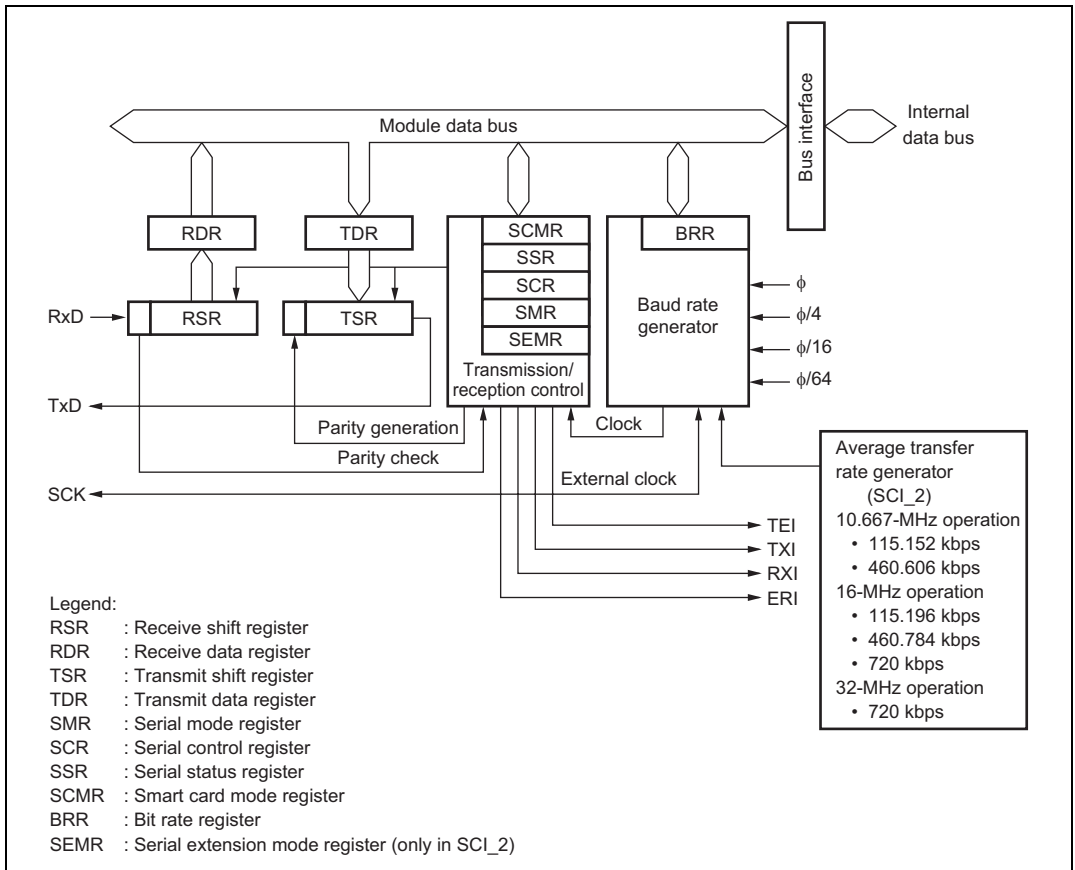


Figure 15.1 Block Diagram of SCI

## 15.2 Input/Output Pins

Table 15.1 shows the pin configuration of the serial communication interface.

**Table 15.1 Pin Configuration**

| Channel | Pin Name*  | I/O    | Function                                     |
|---------|------------|--------|--|
| 0       | SCK0       | I/O    | Channel 0 clock input/output                 |
|         | RxD0/IrRxD | Input  | Channel 0 receive data input (normal/IrDA)   |
|         | TxD0/IrTxD | Output | Channel 0 transmit data output (normal/IrDA) |
| 1       | SCK1       | I/O    | Channel 1 clock input/output                 |
|         | RxD1       | Input  | Channel 1 receive data input                 |
|         | TxD1       | Output | Channel 1 transmit data output               |
| 2       | SCK2       | I/O    | Channel 2 clock input/output                 |
|         | RxD2       | Input  | Channel 2 receive data input                 |
|         | TxD2       | Output | Channel 2 transmit data output               |
| 3       | SCK3       | I/O    | Channel 3 clock input/output                 |
|         | RxD3       | Input  | Channel 3 receive data input                 |
|         | TxD3       | Output | Channel 3 transmit data output               |
| 4       | SCK4       | I/O    | Channel 4 clock input/output                 |
|         | RxD4       | Input  | Channel 4 receive data input                 |
|         | TxD4       | Output | Channel 4 transmit data output               |

Note: \* Pin names SCK, RxD, and TxD are used in the text for all channels, omitting the channel designation.

## 15.3 Register Descriptions

The SCI has the following registers. The serial mode register (SMR), serial status register (SSR), and serial control register (SCR) are described separately for normal serial communication interface mode and Smart Card interface mode because their bit functions partially differ.

- Receive shift register\_0 (RSR\_0)
- Transmit shift register\_0 (TSR\_0)
- Receive data register\_0 (RDR\_0)
- Transmit data register\_0 (TDR\_0)
- Serial mode register\_0 (SMR\_0)
- Serial control register\_0 (SCR\_0)
- Serial status register\_0 (SSR\_0)
- Smart card mode register\_0 (SCMR\_0)
- Bit rate register\_0 (BRR\_0)
- IrDA control register\_0 (IrCR\_0)
- Receive shift register\_1 (RSR\_1)
- Transmit shift register\_1 (TSR\_1)
- Receive data register\_1 (RDR\_1)
- Transmit data register\_1 (TDR\_1)
- Serial mode register\_1 (SMR\_1)
- Serial control register\_1 (SCR\_1)
- Serial status register\_1 (SSR\_1)
- Smart card mode register\_1 (SCMR\_1)
- Bit rate register\_1 (BRR\_1)
- Receive shift register\_2 (RSR\_2)
- Transmit shift register\_2 (TSR\_2)
- Receive data register\_2 (RDR\_2)
- Transmit data register\_2 (TDR\_2)
- Serial mode register\_2 (SMR\_2)
- Serial control register\_2 (SCR\_2)
- Serial status register\_2 (SSR\_2)
- Smart card mode register\_2 (SCMR\_2)
- Bit rate register\_2 (BRR\_2)
- Serial extension mode register\_2 (SEMR\_2)
- Receive shift register\_3 (RSR\_3)

- Transmit shift register\_3 (TSR\_3)
- Receive data register\_3 (RDR\_3)
- Transmit data register\_3 (TDR\_3)
- Serial mode register\_3 (SMR\_3)
- Serial control register\_3 (SCR\_3)
- Serial status register\_3 (SSR\_3)
- Smart card mode register\_3 (SCMR\_3)
- Bit rate register\_3 (BRR\_3)
- Receive shift register\_4 (RSR\_4)
- Transmit shift register\_4 (TSR\_4)
- Receive data register\_4 (RDR\_4)
- Transmit data register\_4 (TDR\_4)
- Serial mode register\_4 (SMR\_4)
- Serial control register\_4 (SCR\_4)
- Serial status register\_4 (SSR\_4)
- Smart card mode register\_4 (SCMR\_4)
- Bit rate register\_4 (BRR\_4)

### 15.3.1 Receive Shift Register (RSR)

RSR is a shift register used to receive serial data that is input to the RxD pin and convert it into parallel data. When one byte of data has been received, it is transferred to RDR automatically. RSR cannot be directly accessed by the CPU.

### 15.3.2 Receive Data Register (RDR)

RDR is an 8-bit register that stores receive data. When the SCI has received one byte of serial data, it transfers the received serial data from RSR to RDR where it is stored. After this, RSR is receive-enabled. Since RSR and RDR function as a double buffer in this way, enables continuous receive operations to be performed. After confirming that the RDRF bit in SSR is set to 1, read RDR for only once. RDR cannot be written to by the CPU.

### 15.3.3 Transmit Data Register (TDR)

TDR is an 8-bit register that stores transmit data. When the SCI detects that TSR is empty, it transfers the transmit data written in TDR to TSR and starts transmission. The double-buffered structures of TDR and TSR enable continuous serial transmission. If the next transmit data has

already been written to TDR during serial transmission, the SCI transfers the written data to TSR to continue transmission. Although TDR can be read or written to by the CPU at all times, to achieve reliable serial transmission, write transmit data to TDR for only once after confirming that the TDRE bit in SSR is set to 1.

### 15.3.4 Transmit Shift Register (TSR)

TSR is a shift register that transmits serial data. To perform serial data transmission, the SCI first transfers transmit data from TDR to TSR, then sends the data to the TxD pin starting. TSR cannot be directly accessed by the CPU.

### 15.3.5 Serial Mode Register (SMR)

SMR is used to set the SCI's serial transfer format and select the on-chip baud rate generator clock source.

Some bit functions of SMR differ in normal serial communication interface mode and Smart Card interface mode.

Normal Serial Communication Interface Mode (When SMIF in SCMR is 0)

| Bit | Bit Name     | Initial Value | R/W | Description   |
|-----|--------------|---------------|-----|---|
| 7   | C/ $\bar{A}$ | 0             | R/W | Communication Mode<br>0: Asynchronous mode<br>1: Clocked synchronous mode   |
| 6   | CHR          | 0             | R/W | Character Length (enabled only in asynchronous mode)<br>0: Selects 8 bits as the data length.<br>1: Selects 7 bits as the data length. LSB-first is fixed and the MSB (bit 7) of TDR is not transmitted in transmission.<br>In clocked synchronous mode, a fixed data length of 8 bits is used. |

| Bit | Bit Name     | Initial Value | R/W | Description  |
|-----|--------------|---------------|-----|--|
| 5   | PE           | 0             | R/W | <p>Parity Enable (enabled only in asynchronous mode)</p> <p>When this bit is set to 1, the parity bit is added to transmit data before transmission, and the parity bit is checked in reception. For a multiprocessor format, parity bit addition and checking are not performed regardless of the PE bit setting.</p>   |
| 4   | O/ $\bar{E}$ | 0             | R/W | <p>Parity Mode (enabled only when the PE bit is 1 in asynchronous mode)</p> <p>0: Selects even parity.<br/>1: Selects odd parity.</p>  |
| 3   | STOP         | 0             | R/W | <p>Stop Bit Length (enabled only in asynchronous mode)</p> <p>Selects the stop bit length in transmission.</p> <p>0: 1 stop bit<br/>1: 2 stop bits</p> <p>In reception, only the first stop bit is checked regardless of the STOP bit setting. If the second stop bit is 0, it is treated as the start bit of the next transmit character.</p>   |
| 2   | MP           | 0             | R/W | <p>Multiprocessor Mode (enabled only in asynchronous mode)</p> <p>When this bit is set to 1, the multiprocessor communication function is enabled. The PE bit and O/<math>\bar{E}</math> bit settings are invalid in multiprocessor mode.</p>  |
| 1   | CKS1         | 0             | R/W | Clock Select 1 and 0:  |
| 0   | CKS0         | 0             | R/W | <p>These bits select the clock source for the on-chip baud rate generator.</p> <p>00: <math>\phi</math> clock (n = 0)<br/>01: <math>\phi/4</math> clock (n = 1)<br/>10: <math>\phi/16</math> clock (n = 2)<br/>11: <math>\phi/64</math> clock (n = 3)</p> <p>For the relation between the bit rate register setting and the baud rate, see section 15.3.9, Bit Rate Register (BRR). n is the decimal display of the value of n in BRR (see section 15.3.9, Bit Rate Register (BRR)).</p> |



## Smart Card Interface Mode (When SMIF in SCMR is 1)

| Bit | Bit Name     | Initial Value | R/W | Description   |
|-----|--------------|---------------|-----|---|
| 7   | GM           | 0             | R/W | <p>GSM Mode</p> <p>When this bit is set to 1, the SCI operates in GSM mode. In GSM mode, the timing of the TEND setting is advanced by 11.0 etu (Elementary time unit: the time for transfer of 1 bit), and clock output control mode addition is performed. For details, refer to section 15.7.8, Clock Output Control.</p>  |
| 6   | BLK          | 0             | R/W | <p>When this bit is set to 1, the SCI operates in block transfer mode. For details on block transfer mode, refer to section 15.7.3, Block Transfer Mode.</p>  |
| 5   | PE           | 0             | R/W | <p>Parity Enable (enabled only in asynchronous mode)</p> <p>When this bit is set to 1, the parity bit is added to transmit data before transmission, and the parity bit is checked in reception. In Smart Card interface mode, this bit must be set to 1.</p>   |
| 4   | O/ $\bar{E}$ | 0             | R/W | <p>Parity Mode (enabled only when the PE bit is 1 in asynchronous mode)</p> <p>0: Selects even parity.<br/>1: Selects odd parity.</p> <p>For details on setting this bit in Smart Card interface mode, refer to section 15.7.2, Data Format (Except for Block Transfer Mode).</p>   |
| 3   | BCP1         | 0             | R/W | Basic Clock Pulse 1 and 0   |
| 2   | BCP0         | 0             | R/W | <p>These bits select the number of basic clock periods in a 1-bit transfer interval on the Smart Card interface.</p> <p>00: 32 clock (S = 32)<br/>01: 64 clock (S = 64)<br/>10: 372 clock (S = 372)<br/>11: 256 clock (S = 256)</p> <p>For details, refer to section 15.7.4, Receive Data Sampling Timing and Reception Margin. S stands for the value of S in BRR (see section 15.3.9, Bit Rate Register (BRR)).</p> |

| Bit | Bit Name | Initial Value | R/W | Description  |
|-----|----------|---------------|-----|--|
| 1   | CKS1     | 0             | R/W | Clock Select 1 and 0:  |
| 0   | CKS0     | 0             | R/W | These bits select the clock source for the on-chip baud rate generator.<br>00: $\phi$ clock (n = 0)<br>01: $\phi/4$ clock (n = 1)<br>10: $\phi/16$ clock (n = 2)<br>11: $\phi/64$ clock (n = 3)<br>For the relation between the bit rate register setting and the baud rate, see section 15.3.9, Bit Rate Register (BRR). n is the decimal display of the value of n in BRR (see section 15.3.9, Bit Rate Register (BRR)). |

### 15.3.6 Serial Control Register (SCR)

SCR performs enabling or disabling of SCI transfer operations and interrupt requests, and selection of the transfer/receive clock source. For details on interrupt requests, refer to section 15.9, Interrupt Sources. Some bit functions of SCR differ in normal serial communication interface mode and Smart Card interface mode.

Normal Serial Communication Interface Mode (When SMIF in SCMR is 0)

| Bit | Bit Name | Initial Value | R/W | Description   |
|-----|----------|---------------|-----|---|
| 7   | TIE      | 0             | R/W | Transmit Interrupt Enable<br>When this bit is set to 1, TXI interrupt request is enabled.<br>TXI interrupt request cancellation can be performed by reading 1 from the TDRE flag, then clearing it to 0, or clearing the TIE bit to 0.  |
| 6   | RIE      | 0             | R/W | Receive Interrupt Enable<br>When this bit is set to 1, RXI and ERI interrupt requests are enabled.<br>RXI and ERI interrupt request cancellation can be performed by reading 1 from the RDRF flag, or the FER, PER, or ORER flag, then clearing the flag to 0, or by clearing the RIE bit to 0. |

| Bit | Bit Name | Initial Value | R/W | Description  |
|-----|----------|---------------|-----|--|
| 5   | TE       | 0             | R/W | <p>Transmit Enable</p> <p>When this bit is set to 1, transmission is enabled. In this state, serial transmission is started when transmit data is written to TDR and the TDRE flag in SSR is cleared to 0. SMR setting must be performed to decide the transfer format before setting the TE bit to 1.</p> <p>The TDRE flag in SSR is fixed at 1 if transmission is disabled by clearing this bit to 0.</p>  |
| 4   | RE       | 0             | R/W | <p>Receive Enable</p> <p>When this bit is set to 1, reception is enabled.</p> <p>Serial reception is started in this state when a start bit is detected in asynchronous mode or serial clock input is detected in clocked synchronous mode. SMR setting must be performed to decide the transfer format before setting the RE bit to 1.</p> <p>Clearing the RE bit to 0 does not affect the RDRF, FER, PER, and ORER flags, which retain their states.</p>   |
| 3   | MPIE     | 0             | R/W | <p>Multiprocessor Interrupt Enable (enabled only when the MP bit in SMR is 1 in asynchronous mode)</p> <p>When this bit is set to 1, receive data in which the multiprocessor bit is 0 is skipped, and setting of the RDRF, FER, and ORER status flags in SSR is prohibited. On receiving data in which the multiprocessor bit is 1, this bit is automatically cleared and normal reception is resumed. For details, refer to section 15.5, Multiprocessor Communication Function.</p> <p>When receive data including MPB = 0 in SSR is received, receive data transfer from RSR to RDR, receive error detection, and setting of the RDRF, FER, and ORER flags in SSR, is not performed. When receive data including MPB = 1 is received, the MPB bit in SSR is set to 1, the MPIE bit is cleared to 0 automatically, and generation of RXI and ERI interrupts (when the TIE and RIE bits in SCR are set to 1) and FER and ORER flag setting is enabled.</p> |

| Bit | Bit Name | Initial Value | R/W | Description   |
|-----|----------|---------------|-----|---|
| 2   | TEIE     | 0             | R/W | Transmit End Interrupt Enable<br>When this bit is set to 1, TEI interrupt request is enabled. TEI cancellation can be performed by reading 1 from the TDRE flag in SSR, then clearing it to 0 and clearing the TEND flag to 0, or by clearing the TEIE bit to 0.  |
| 1   | CKE1     | 0             | R/W | Clock Enable 1 and 0  |
| 0   | CKE0     | 0             | R/W | Selects the clock source and SCK pin function.<br>Asynchronous mode<br>00: On-chip baud rate generator<br>SCK pin functions as I/O port<br>01: On-chip baud rate generator<br>(Outputs a clock of the same frequency as the bit rate from the SCK pin.)<br>1x: External clock<br>(Inputs a clock with a frequency 16 times the bit rate from the SCK pin.)<br>Clocked synchronous mode<br>0x: Internal clock (SCK pin functions as clock output)<br>1x: External clock (SCK pin functions as clock input) |

Legend: x: Don't care

## Smart Card Interface Mode (When SMIF in SCMR is 1)

| Bit | Bit Name | Initial Value | R/W | Description   |
|-----|----------|---------------|-----|---|
| 7   | TIE      | 0             | R/W | <p>Transmit Interrupt Enable</p> <p>When this bit is set to 1, TXI interrupt request is enabled. TXI interrupt request cancellation can be performed by reading 1 from the TDRE flag, then clearing it to 0, or clearing the TIE bit to 0.</p>  |
| 6   | RIE      | 0             | R/W | <p>Receive Interrupt Enable</p> <p>When this bit is set to 1, RXI and ERI interrupt requests are enabled.</p> <p>RXI and ERI interrupt request cancellation can be performed by reading 1 from the RDRF flag, or the FER, PER, or ORER flag, then clearing the flag to 0, or by clearing the RIE bit to 0.</p>  |
| 5   | TE       | 0             | R/W | <p>Transmit Enable</p> <p>When this bit is set to 1, transmission is enabled. In this state, serial transmission is started when transmit data is written to TDR and the TDRE flag in SSR is cleared to 0. SMR setting must be performed to decide the transfer format before setting the TE bit to 1.</p> <p>The TDRE flag in SSR is fixed at 1 if transmission is disabled by clearing this bit to 0.</p>   |
| 4   | RE       | 0             | R/W | <p>Receive Enable</p> <p>When this bit is set to 1, reception is enabled. Serial reception is started in this state when a start bit is detected in asynchronous mode or serial clock input is detected in clocked synchronous mode. SMR setting must be performed to decide the transfer format before setting the RE bit to 1.</p> <p>Clearing the RE bit to 0 does not affect the RDRF, FER, PER, and ORER flags, which retain their states.</p> |
| 3   | MPIE     | 0             | R/W | <p>Multiprocessor Interrupt Enable (enabled only when the MP bit in SMR is 1 in asynchronous mode)</p> <p>Write 0 to this bit in Smart Card interface mode.</p>   |

| Bit | Bit Name | Initial Value | R/W | Description   |
|-----|----------|---------------|-----|---|
| 2   | TEIE     | 0             | R/W | Transmit End Interrupt Enable<br>Write 0 to this bit in Smart Card interface mode.  |
| 1   | CKE1     | 0             | R/W | Clock Enable 1 and 0  |
| 0   | CKE0     | 0             | R/W | Enables or disables clock output from the SCK pin. The clock output can be dynamically switched in GSM mode. For details, refer to section 15.7.8, Clock Output Control.<br><br>When the GM bit in SMR is 0:<br>00: Output disabled (SCK pin can be used as an I/O port pin)<br>01: Clock output<br>1x: Reserved<br><br>When the GM bit in SMR is 1:<br>00: Output fixed low<br>01: Clock output<br>10: Output fixed high<br>11: Clock output |

---

Legend: x: Don't care

### 15.3.7 Serial Status Register (SSR)

SSR is a register containing status flags of the SCI and multiprocessor bits for transfer. 1 cannot be written to flags TDRE, RDRF, ORER, PER, and FER; they can only be cleared. Some bit functions of SSR differ in normal serial communication interface mode and Smart Card interface mode.

Normal Serial Communication Interface Mode (When SMIF in SCMR is 0)

| Bit | Bit Name | Initial Value | R/W    | Description  |
|-----|----------|---------------|--------|--|
| 7   | TDRE     | 1             | R/(W)* | <p>Transmit Data Register Empty</p> <p>Indicates whether TDR contains transmit data.</p> <p>[Setting conditions]</p> <ul style="list-style-type: none"> <li>• When the TE bit in SCR is 0</li> <li>• When data is transferred from TDR to TSR, and data writing to TDR is enabled.</li> </ul> <p>[Clearing conditions]</p> <ul style="list-style-type: none"> <li>• When 0 is written to TDRE after reading TDRE = 1</li> <li>• When the DMAC or DTC is activated by a TXI interrupt request and transfers data to TDR</li> </ul>  |
| 6   | RDRF     | 0             | R/(W)* | <p>Receive Data Register Full</p> <p>Indicates that the received data is stored in RDR.</p> <p>[Setting condition]</p> <ul style="list-style-type: none"> <li>• When serial reception ends normally and receive data is transferred from RSR to RDR</li> </ul> <p>[Clearing conditions]</p> <ul style="list-style-type: none"> <li>• When 0 is written to RDRF after reading RDRF = 1</li> <li>• When the DMAC or DTC is activated by an RXI interrupt and transferred data from RDR</li> </ul> <p>The RDRF flag is not affected and retains its previous value when the RE bit in SCR is cleared to 0. Exercise care because if reception of the next data is completed while the RDRF flag is set to 1, an overrun error occurs and receive data will be lost.</p> |

| Bit | Bit Name | Initial Value | R/W    | Description  |
|-----|----------|---------------|--------|--|
| 5   | ORER     | 0             | R/(W)* | <p>Overrun Error</p> <p>Indicates that an overrun error occurred while receiving and the reception has ended abnormally.</p> <p>[Setting condition]</p> <ul style="list-style-type: none"> <li>When the next serial reception is completed while RDRF = 1<br/>The receive data prior to the overrun error is retained in RDR, and the data received subsequently is lost. Also, subsequent serial reception cannot be continued while the ORER flag is set to 1. In clocked synchronous mode, serial transmission cannot be continued, either.</li> </ul> <p>[Clearing condition]</p> <ul style="list-style-type: none"> <li>When 0 is written to ORER after reading ORER = 1<br/>The ORER flag is not affected and retains its previous state when the RE bit in SCR is cleared to 0.</li> </ul>  |
| 4   | FER      | 0             | R/(W)* | <p>Framing Error</p> <p>Indicates that a framing error occurred while receiving in asynchronous mode and the reception has ended abnormally.</p> <p>[Setting condition]</p> <ul style="list-style-type: none"> <li>When the stop bit is 0<br/>In 2-stop-bit mode, only the first stop bit is checked for a value of 0; the second stop bit is not checked. If a framing error occurs, the receive data is transferred to RDR but the RDRF flag is not set. Also, subsequent serial reception cannot be continued while the FER flag is set to 1. In clocked synchronous mode, serial transmission cannot be continued, either.</li> </ul> <p>[Clearing condition]</p> <ul style="list-style-type: none"> <li>When 0 is written to FER after reading FER = 1<br/>The FER flag is not affected and retains its previous state when the RE bit in SCR is cleared to 0.</li> </ul> |



| Bit | Bit Name | Initial Value | R/W    | Description  |
|-----|----------|---------------|--------|--|
| 3   | PER      | 0             | R/(W)* | <p>Parity Error</p> <p>Indicates that a parity error occurred while receiving in asynchronous mode and the reception has ended abnormally.</p> <p>[Setting condition]</p> <ul style="list-style-type: none"> <li>When a parity error is detected during reception<br/>If a parity error occurs, the receive data is transferred to RDR but the RDRF flag is not set. Also, subsequent serial reception cannot be continued while the PER flag is set to 1. In clocked synchronous mode, serial transmission cannot be continued, either.</li> </ul> <p>[Clearing condition]</p> <ul style="list-style-type: none"> <li>When 0 is written to PER after reading PER = 1<br/>The PER flag is not affected and retains its previous state when the RE bit in SCR is cleared to 0.</li> </ul> |
| 2   | TEND     | 1             | R      | <p>Transmit End</p> <p>[Setting conditions]</p> <ul style="list-style-type: none"> <li>When the TE bit in SCR is 0</li> <li>When TDRE = 1 at transmission of the last bit of a 1-byte serial transmit character</li> </ul> <p>[Clearing conditions]</p> <ul style="list-style-type: none"> <li>When 0 is written to TDRE after reading TDRE = 1</li> <li>When the DMAC or DTC is activated by a TXI interrupt and writes data to TDR</li> </ul>  |
| 1   | MPB      | 0             | R      | <p>Multiprocessor Bit</p> <p>MPB stores the multiprocessor bit in the receive data. When the RE bit in SCR is cleared to 0 its previous state is retained.</p>   |
| 0   | MPBT     | 0             | R/W    | <p>Multiprocessor Bit Transfer</p> <p>MPBT sets the multiprocessor bit to be added to the transmit data.</p>   |

Note: \* Only 0 can be written, to clear the flag. Alternately, use the bit clear instruction to clear the flag.

## Smart Card Interface Mode (When SMIF in SCMR is 1)

| Bit | Bit Name | Initial Value | R/W                 | Description  |
|-----|----------|---------------|---------------------|--|
| 7   | TDRE     | 1             | R/(W)* <sup>1</sup> | <p>Transmit Data Register Empty</p> <p>Indicates whether TDR contains transmit data.</p> <p>[Setting conditions]</p> <ul style="list-style-type: none"> <li>• When the TE bit in SCR is 0</li> <li>• When data is transferred from TDR to TSR, and data writing to TDR is enabled.</li> </ul> <p>[Clearing conditions]</p> <ul style="list-style-type: none"> <li>• When 0 is written to TDRE after reading TDRE = 1</li> <li>• When the DMAC or DTC is activated by a TXI interrupt request and transfers data to TDR</li> </ul>  |
| 6   | RDRF     | 0             | R/(W)* <sup>1</sup> | <p>Receive Data Register Full</p> <p>Indicates that the received data is stored in RDR.</p> <p>[Setting condition]</p> <ul style="list-style-type: none"> <li>• When serial reception ends normally and receive data is transferred from RSR to RDR</li> </ul> <p>[Clearing conditions]</p> <ul style="list-style-type: none"> <li>• When 0 is written to RDRF after reading RDRF = 1</li> <li>• When the DMAC or DTC is activated by an RXI interrupt and transferred data from RDR</li> </ul> <p>The RDRF flag is not affected and retains its previous value when the RE bit in SCR is cleared to 0. Exercise care because if reception of the next data is completed while the RDRF flag is set to 1, an overrun error occurs and receive data will be lost.</p> |

| Bit | Bit Name | Initial Value | R/W                 | Description  |
|-----|----------|---------------|---------------------|--|
| 5   | ORER     | 0             | R/(W)* <sup>1</sup> | <p>Overrun Error</p> <p>Indicates that an overrun error occurred while receiving and the reception has ended abnormally.</p> <p>[Setting condition]</p> <p>When the next serial reception is completed while RDRF = 1</p> <p>The receive data prior to the overrun error is retained in RDR, and the data received subsequently is lost. Also, subsequent serial reception cannot be continued while the ORER flag is set to 1. In clocked synchronous mode, serial transmission cannot be continued, either.</p> <p>[Clearing condition]</p> <ul style="list-style-type: none"> <li>When 0 is written to ORER after reading ORER = 1</li> </ul> <p>The ORER flag is not affected and retains its previous state when the RE bit in SCR is cleared to 0.</p> |
| 4   | ERS      | 0             | R/(W)* <sup>1</sup> | <p>Error Signal Status</p> <p>[Setting condition]</p> <ul style="list-style-type: none"> <li>When the low level of the error signal is sampled</li> </ul> <p>[Clearing conditions]</p> <ul style="list-style-type: none"> <li>When 0 is written to ERS after reading ERS = 1</li> </ul>  |

| Bit | Bit Name | Initial Value | R/W                 | Description  |
|-----|----------|---------------|---------------------|--|
| 3   | PER      | 0             | R/(W)* <sup>1</sup> | <p>Parity Error</p> <p>Indicates that a parity error occurred while receiving in asynchronous mode and the reception has ended abnormally.</p> <p>[Setting condition]</p> <ul style="list-style-type: none"><li>When a parity error is detected during reception<br/>If a parity error occurs, the receive data is transferred to RDR but the RDRF flag is not set. Also, subsequent serial reception cannot be continued while the PER flag is set to 1. In clocked synchronous mode, serial transmission cannot be continued, either.</li></ul> <p>[Clearing condition]</p> <ul style="list-style-type: none"><li>When 0 is written to PER after reading PER = 1</li><li>The PER flag is not affected and retains its previous state when the RE bit in SCR is cleared to 0.</li></ul> |

---

| Bit | Bit Name | Initial Value | R/W | Description   |
|-----|----------|---------------|-----|---|
| 2   | TEND     | 1             | R   | <p>Transmit End</p> <p>This bit is set to 1 when no error signal has been sent back from the receiving end and the next transmit data is ready to be transferred to TDR.</p> <p>[Setting conditions]</p> <ul style="list-style-type: none"> <li>When the TE bit in SCR is 0 and the ERS bit is also 0</li> <li>If the ERS bit is 0 and the TDRE bit is 1 after the specified interval after transmission of 1-byte data</li> </ul> <p>Timing to set this bit differs according to the register settings.</p> <p>GM = 0, BLK = 0: 2.5 etu<sup>*2</sup> after transmission</p> <p>GM = 0, BLK = 1: 1.5 etu<sup>*2</sup> after transmission</p> <p>GM = 1, BLK = 0: 1.0 etu<sup>*2</sup> after transmission</p> <p>GM = 1, BLK = 1: 1.0 etu<sup>*2</sup> after transmission</p> <p>[Clearing conditions]</p> <ul style="list-style-type: none"> <li>When 0 is written to TEND after reading TEND = 1</li> <li>When the DMAC or DTC is activated by a TXI interrupt and writes data to TDR</li> </ul> |
| 1   | MPB      | 0             | R   | <p>Multiprocessor Bit</p> <p>This bit is not used in Smart Card interface mode.</p>   |
| 0   | MPBT     | 0             | R/W | <p>Multiprocessor Bit Transfer</p> <p>Write 0 to this bit in Smart Card interface mode.</p>   |

- Note:
- Only 0 can be written, to clear the flag. Alternately, use the bit clear instruction to clear the flag.
  - Elementary time unit (etu): Transfer duration for one bit

### 15.3.8 Smart Card Mode Register (SCMR)

SCMR selects Smart Card interface mode and its format.

| Bit          | Bit Name | Initial Value | R/W | Description  |
|--------------|----------|---------------|-----|--|
| 7<br>to<br>4 | —        | All 1         | —   | Reserved<br>These bits are always read as 1.   |
| 3            | SDIR     | 0             | R/W | Smart Card Data Transfer Direction<br>Selects the serial/parallel conversion format.<br>0: LSB-first in transfer<br>1: MSB-first in transfer<br>The bit setting is valid only when the transfer data format is 8 bits. For 7-bit data, LSB-first is fixed.   |
| 2            | SINV     | 0             | R/W | Smart Card Data Invert<br>Specifies inversion of the data logic level. The SINV bit does not affect the logic level of the parity bit. To invert the parity bit, invert the O/E bit in SMR.<br>0: TDR contents are transmitted as they are.<br>Receive data is stored as it is in RDR.<br>1: TDR contents are inverted before being transmitted. Receive data is stored in inverted form in RDR. |
| 1            | —        | 1             | —   | Reserved<br>This bit is always read as 1.  |
| 0            | SMIF     | 0             | R/W | Smart Card Interface Mode Select<br>This bit is set to 1 to make the SCI operate in Smart Card interface mode.<br>0: Normal asynchronous mode or clocked synchronous mode<br>1: Smart card interface mode  |

### 15.3.9 Bit Rate Register (BRR)

BRR is an 8-bit register that adjusts the bit rate. As the SCI performs baud rate generator control independently for each channel, different bit rates can be set for each channel. Table 15.2 shows the relationships between the N setting in BRR and bit rate B for normal asynchronous mode, clocked synchronous mode, and Smart Card interface mode. The initial value of BRR is H'FF, and it can be read or written to by the CPU at all times.

**Table 15.2 Relationships between N Setting in BRR and Bit Rate B**

| Mode                      | Bit Rate   | Error   |
|---------------------------|--|---|
| Asynchronous Mode         | $B = \frac{\phi \times 10^6}{64 \times 2^{2n-1} \times (N + 1)}$ | $\text{Error (\%)} = \left\{ \frac{\phi \times 10^6}{B \times 64 \times 2^{2n-1} \times (N + 1)} - 1 \right\} \times 100$ |
| Clocked Synchronous Mode  | $B = \frac{\phi \times 10^6}{8 \times 2^{2n-1} \times (N + 1)}$  |   |
| Smart Card Interface Mode | $B = \frac{\phi \times 10^6}{S \times 2^{2n+1} \times (N + 1)}$  | $\text{Error (\%)} = \left\{ \frac{\phi \times 10^6}{B \times S \times 2^{2n+1} \times (N + 1)} - 1 \right\} \times 100$  |

Note: B: Bit rate (bit/s)

N: BRR setting for baud rate generator ( $0 \leq N \leq 255$ )

$\phi$ : Operating frequency (MHz)

n and S: Determined by the SMR settings shown in the following tables.

| SMR Setting |      |   | SMR Setting |      |     |
|-------------|------|---|-------------|------|-----|
| CKS1        | CKS0 | n | BCP1        | BCP0 | S   |
| 0           | 0    | 0 | 0           | 0    | 32  |
| 0           | 1    | 1 | 0           | 1    | 64  |
| 1           | 0    | 2 | 1           | 0    | 372 |
| 1           | 1    | 3 | 1           | 1    | 256 |

Table 15.3 shows sample N settings in BRR in normal asynchronous mode. Table 15.4 shows the maximum bit rate for each frequency in normal asynchronous mode. Table 15.6 shows sample N settings in BRR in clocked synchronous mode. Table 15.8 shows sample N settings in BRR in Smart Card interface mode. In Smart Card interface mode, S (the number of basic clock periods in a 1-bit transfer interval) can be selected. For details, refer to section 15.7.4, Receive Data Sampling Timing and Reception Margin. Tables 15.5 and 15.7 show the maximum bit rates with external clock input.

Table 15.3 BRR Settings for Various Bit Rates (Asynchronous Mode)

| Bit Rate<br>(bit/s) | Operating Frequency $\phi$ (MHz) |     |           |        |     |           |    |     |           |    |     |           |
|---------------------|----------------------------------|-----|-----------|--------|-----|-----------|----|-----|-----------|----|-----|-----------|
|                     | 8                                |     |           | 9.8304 |     |           | 10 |     |           | 12 |     |           |
|                     | n                                | N   | Error (%) | n      | N   | Error (%) | n  | N   | Error (%) | n  | N   | Error (%) |
| 110                 | 2                                | 141 | 0.03      | 2      | 174 | -0.26     | 2  | 177 | -0.25     | 2  | 212 | 0.03      |
| 150                 | 2                                | 103 | 0.16      | 2      | 127 | 0.00      | 2  | 129 | 0.16      | 2  | 155 | 0.16      |
| 300                 | 1                                | 207 | 0.16      | 1      | 255 | 0.00      | 2  | 64  | 0.16      | 2  | 77  | 0.16      |
| 600                 | 1                                | 103 | 0.16      | 1      | 127 | 0.00      | 1  | 129 | 0.16      | 1  | 155 | 0.16      |
| 1200                | 0                                | 207 | 0.16      | 0      | 255 | 0.00      | 1  | 64  | 0.16      | 1  | 77  | 0.16      |
| 2400                | 0                                | 103 | 0.16      | 0      | 127 | 0.00      | 0  | 129 | 0.16      | 0  | 155 | 0.16      |
| 4800                | 0                                | 51  | 0.16      | 0      | 63  | 0.00      | 0  | 64  | 0.16      | 0  | 77  | 0.16      |
| 9600                | 0                                | 25  | 0.16      | 0      | 31  | 0.00      | 0  | 32  | -1.36     | 0  | 38  | 0.16      |
| 19200               | 0                                | 12  | 0.16      | 0      | 15  | 0.00      | 0  | 15  | 1.73      | 0  | 19  | -2.34     |
| 31250               | 0                                | 7   | 0.00      | 0      | 9   | -1.70     | 0  | 9   | 0.00      | 0  | 11  | 0.00      |
| 38400               | —                                | —   | —         | 0      | 7   | 0.00      | 0  | 7   | 1.73      | 0  | 9   | -2.34     |

| Bit Rate<br>(bit/s) | Operating Frequency $\phi$ (MHz) |     |           |    |     |           |         |     |           |    |     |           |
|---------------------|----------------------------------|-----|-----------|----|-----|-----------|---------|-----|-----------|----|-----|-----------|
|                     | 12.288                           |     |           | 14 |     |           | 14.7456 |     |           | 16 |     |           |
|                     | n                                | N   | Error (%) | n  | N   | Error (%) | n       | N   | Error (%) | n  | N   | Error (%) |
| 110                 | 2                                | 217 | 0.08      | 2  | 248 | -0.17     | 3       | 64  | 0.69      | 3  | 70  | 0.03      |
| 150                 | 2                                | 159 | 0.00      | 2  | 181 | 0.16      | 2       | 191 | 0.00      | 2  | 207 | 0.16      |
| 300                 | 2                                | 79  | 0.00      | 2  | 90  | 0.16      | 2       | 95  | 0.00      | 2  | 103 | 0.16      |
| 600                 | 1                                | 159 | 0.00      | 1  | 181 | 0.16      | 1       | 191 | 0.00      | 1  | 207 | 0.16      |
| 1200                | 1                                | 79  | 0.00      | 1  | 90  | 0.16      | 1       | 95  | 0.00      | 1  | 103 | 0.16      |
| 2400                | 0                                | 159 | 0.00      | 0  | 181 | 0.16      | 0       | 191 | 0.00      | 0  | 207 | 0.16      |
| 4800                | 0                                | 79  | 0.00      | 0  | 90  | 0.16      | 0       | 95  | 0.00      | 0  | 103 | 0.16      |
| 9600                | 0                                | 39  | 0.00      | 0  | 45  | -0.93     | 0       | 47  | 0.00      | 0  | 51  | 0.16      |
| 19200               | 0                                | 19  | 0.00      | 0  | 22  | -0.93     | 0       | 23  | 0.00      | 0  | 25  | 0.16      |
| 31250               | 0                                | 11  | 2.40      | 0  | 13  | 0.00      | 0       | 14  | -1.70     | 0  | 15  | 0.00      |
| 38400               | 0                                | 9   | 0.00      | —  | —   | —         | 0       | 11  | 0.00      | 0  | 12  | 0.16      |



Operating Frequency  $\phi$  (MHz)

| Bit Rate<br>(bit/s) | 17.2032 |     |           | 18   |     |           | 19.6608 |     |           | 20   |     |           |
|---------------------|---------|-----|-----------|------|-----|-----------|---------|-----|-----------|------|-----|-----------|
|                     | n       | N   | Error (%) | n    | N   | Error (%) | n       | N   | Error (%) | n    | N   | Error (%) |
|                     | 110     | 3   | 75        | 0.48 | 3   | 79        | -0.12   | 3   | 86        | 0.31 | 3   | 88        |
| 150                 | 2       | 223 | 0.00      | 2    | 233 | 0.16      | 2       | 255 | 0.00      | 3    | 64  | 0.16      |
| 300                 | 2       | 111 | 0.00      | 2    | 116 | 0.16      | 2       | 127 | 0.00      | 2    | 129 | 0.16      |
| 600                 | 1       | 223 | 0.00      | 1    | 233 | 0.16      | 1       | 255 | 0.00      | 2    | 64  | 0.16      |
| 1200                | 1       | 111 | 0.00      | 1    | 116 | 0.16      | 1       | 127 | 0.00      | 1    | 129 | 0.16      |
| 2400                | 0       | 223 | 0.00      | 0    | 233 | 0.16      | 0       | 255 | 0.00      | 1    | 64  | 0.16      |
| 4800                | 0       | 111 | 0.00      | 0    | 116 | 0.16      | 0       | 127 | 0.00      | 0    | 129 | 0.16      |
| 9600                | 0       | 55  | 0.00      | 0    | 58  | -0.69     | 0       | 63  | 0.00      | 0    | 64  | 0.16      |
| 19200               | 0       | 27  | 0.00      | 0    | 28  | 1.02      | 0       | 31  | 0.00      | 0    | 32  | -1.36     |
| 31250               | 0       | 16  | 1.20      | 0    | 17  | 0.00      | 0       | 19  | -1.70     | 0    | 19  | 0.00      |
| 38400               | 0       | 13  | 0.00      | 0    | 14  | -2.34     | 0       | 15  | 0.00      | 0    | 15  | 1.73      |

Operating Frequency  $\phi$  (MHz)

| Bit Rate<br>(bit/s) | 25  |     |           | 30    |     |           | 33   |     |           | 34 <sup>*1</sup> |     |           |
|---------------------|-----|-----|-----------|-------|-----|-----------|------|-----|-----------|------------------|-----|-----------|
|                     | n   | N   | Error (%) | n     | N   | Error (%) | n    | N   | Error (%) | n                | N   | Error (%) |
|                     | 110 | 3   | 110       | -0.02 | 3   | 132       | 0.13 | 3   | 145       | 0.33             | 3   | 150       |
| 150                 | 3   | 80  | 0.47      | 3     | 97  | -0.35     | 3    | 106 | 0.39      | 3                | 110 | -0.29     |
| 300                 | 2   | 162 | -0.15     | 2     | 194 | 0.16      | 2    | 214 | -0.07     | 2                | 220 | 0.16      |
| 600                 | 2   | 80  | 0.47      | 2     | 97  | -0.35     | 2    | 106 | 0.39      | 2                | 110 | -0.29     |
| 1200                | 1   | 162 | -0.15     | 1     | 194 | 0.16      | 1    | 214 | -0.07     | 1                | 220 | 0.16      |
| 2400                | 1   | 80  | 0.47      | 1     | 97  | -0.35     | 1    | 106 | 0.39      | 1                | 110 | -0.29     |
| 4800                | 0   | 162 | -0.15     | 0     | 194 | 0.16      | 0    | 214 | -0.07     | 0                | 220 | 0.16      |
| 9600                | 0   | 80  | 0.47      | 0     | 97  | -0.35     | 0    | 106 | 0.39      | 0                | 110 | -0.29     |
| 19200               | 0   | 40  | -0.76     | 0     | 48  | -0.35     | 0    | 53  | -0.54     | 0                | 54  | 0.62      |
| 31250               | 0   | 24  | 0.00      | 0     | 29  | 0.00      | 0    | 32  | 0.00      | 0                | 33  | 0.00      |
| 38400               | 0   | 19  | 1.73      | 0     | 23  | 1.73      | 0    | 26  | -0.54     | 0                | 27  | -1.18     |

| Bit Rate<br>(bit/s) | Operating<br>Frequency $\phi$ (MHz) |     | Error<br>(%) |
|---------------------|-------------------------------------|-----|--------------|
|                     | $35^{*2}$                           |     |              |
|                     | n                                   | N   |              |
| 110                 | 3                                   | 154 | 0.23         |
| 150                 | 3                                   | 113 | -0.06        |
| 300                 | 2                                   | 227 | -0.06        |
| 600                 | 2                                   | 113 | -0.06        |
| 1200                | 1                                   | 227 | -0.06        |
| 2400                | 1                                   | 113 | -0.06        |
| 4800                | 0                                   | 227 | -0.06        |
| 9600                | 0                                   | 113 | -0.06        |
| 19200               | 0                                   | 56  | -0.06        |
| 31250               | 0                                   | 34  | 0.00         |
| 38400               | 0                                   | 27  | 1.73         |

- Notes: 1. Supported on the H8S/2378 0.18 $\mu$ m F-ZTAT Group and H8S/2378R 0.18 $\mu$ m F-ZTAT Group only.  
 2. Supported on the H8S/2378 only.

**Table 15.4 Maximum Bit Rate for Each Frequency (Asynchronous Mode)**

| $\phi$ (MHz)     | Maximum Bit Rate (bit/s) | n | N |
|------------------|--------------------------|---|---|
| 8                | 250000                   | 0 | 0 |
| 9.8304           | 307200                   | 0 | 0 |
| 10               | 312500                   | 0 | 0 |
| 12               | 375000                   | 0 | 0 |
| 12.288           | 384000                   | 0 | 0 |
| 14               | 437500                   | 0 | 0 |
| 14.7456          | 460800                   | 0 | 0 |
| 16               | 500000                   | 0 | 0 |
| 17.2032          | 537600                   | 0 | 0 |
| 18               | 562500                   | 0 | 0 |
| 19.6608          | 614400                   | 0 | 0 |
| 20               | 625000                   | 0 | 0 |
| 25               | 781250                   | 0 | 0 |
| 30               | 937500                   | 0 | 0 |
| 33               | 1031250                  | 0 | 0 |
| 34* <sup>1</sup> | 1062500                  | 0 | 0 |
| 35* <sup>2</sup> | 1093750                  | 0 | 0 |

Notes: 1. Supported on the H8S/2378 0.18 $\mu$ m F-ZTAT Group and H8S/2378R 0.18 $\mu$ m F-ZTAT Group only.

2. Supported on the H8S/2378 only.

**Table 15.5 Maximum Bit Rate with External Clock Input (Asynchronous Mode)**

| $\phi$ (MHz)     | External Input Clock (MHz) | Maximum Bit Rate (bit/s) |
|------------------|----------------------------|--------------------------|
| 8                | 2.0000                     | 125000                   |
| 9.8304           | 2.4576                     | 153600                   |
| 10               | 2.5000                     | 156250                   |
| 12               | 3.0000                     | 187500                   |
| 12.288           | 3.0720                     | 192000                   |
| 14               | 3.5000                     | 218750                   |
| 14.7456          | 3.6864                     | 230400                   |
| 16               | 4.0000                     | 250000                   |
| 17.2032          | 4.3008                     | 268800                   |
| 18               | 4.5000                     | 281250                   |
| 19.6608          | 4.9152                     | 307200                   |
| 20               | 5.0000                     | 312500                   |
| 25               | 6.2500                     | 390625                   |
| 30               | 7.5000                     | 468750                   |
| 33               | 8.2500                     | 515625                   |
| 34 <sup>*1</sup> | 8.5000                     | 531250                   |
| 35 <sup>*2</sup> | 8.7500                     | 546875                   |

Notes: 1. Supported on the H8S/2378 0.18 $\mu$ m F-ZTAT Group and H8S/2378R 0.18 $\mu$ m F-ZTAT Group only.

2. Supported on the H8S/2378 only.

**Table 15.6 BRR Settings for Various Bit Rates (Clocked Synchronous Mode)**

| Bit Rate<br>(bit/s) | Operating Frequency $\phi$ (MHz) |     |    |                |    |     |    |                |    |     |    |     |    |     |                  |     |                  |     |
|---------------------|----------------------------------|-----|----|----------------|----|-----|----|----------------|----|-----|----|-----|----|-----|------------------|-----|------------------|-----|
|                     | 8                                |     | 10 |                | 16 |     | 20 |                | 25 |     | 30 |     | 33 |     | 34 <sup>*1</sup> |     | 35 <sup>*2</sup> |     |
|                     | n                                | N   | n  | N              | n  | N   | n  | N              | n  | N   | n  | N   | n  | N   | n                | N   | n                | N   |
| 110                 |                                  |     |    |                |    |     |    |                |    |     |    |     |    |     |                  |     |                  |     |
| 250                 | 3                                | 124 | —  | —              | 3  | 249 |    |                |    |     |    |     |    |     |                  |     |                  |     |
| 500                 | 2                                | 249 | —  | —              | 3  | 124 | —  | —              |    |     | 3  | 233 |    |     |                  |     |                  |     |
| 1 k                 | 2                                | 124 | —  | —              | 2  | 249 | —  | —              | 3  | 97  | 3  | 116 | 3  | 128 | 3                | 132 | 3                | 136 |
| 2.5 k               | 1                                | 199 | 1  | 249            | 2  | 99  | 2  | 124            | 2  | 155 | 2  | 187 | 2  | 205 | 2                | 212 | 2                | 218 |
| 5 k                 | 1                                | 99  | 1  | 124            | 1  | 199 | 1  | 249            | 2  | 77  | 2  | 93  | 2  | 102 | 2                | 105 | 2                | 108 |
| 10 k                | 0                                | 199 | 0  | 249            | 1  | 99  | 1  | 124            | 1  | 155 | 1  | 187 | 1  | 205 | 1                | 212 | 1                | 218 |
| 25 k                | 0                                | 79  | 0  | 99             | 0  | 159 | 0  | 199            | 0  | 249 | 1  | 74  | 1  | 82  | 1                | 84  | 1                | 87  |
| 50 k                | 0                                | 39  | 0  | 49             | 0  | 79  | 0  | 99             | 0  | 124 | 0  | 149 | 0  | 164 | 0                | 169 | 0                | 174 |
| 100 k               | 0                                | 19  | 0  | 24             | 0  | 39  | 0  | 49             | 0  | 62  | 0  | 74  | 0  | 82  | 0                | 84  | 0                | 87  |
| 250 k               | 0                                | 7   | 0  | 9              | 0  | 15  | 0  | 19             | 0  | 24  | 0  | 29  | 0  | 32  | 0                | 33  | 0                | 34  |
| 500 k               | 0                                | 3   | 0  | 4              | 0  | 7   | 0  | 9              | —  | —   | 0  | 14  | —  | —   | 0                | 16  | —                | —   |
| 1 M                 | 0                                | 1   |    |                | 0  | 3   | 0  | 4              | —  | —   | —  | —   | —  | —   |                  |     | —                | —   |
| 2.5 M               |                                  |     | 0  | 0 <sup>*</sup> |    |     | 0  | 1              | —  | —   | 0  | 2   | —  | —   |                  |     | —                | —   |
| 5 M                 |                                  |     |    |                |    |     | 0  | 0 <sup>*</sup> | —  | —   | —  | —   | —  | —   |                  |     | —                | —   |

Legend:

Blank: Cannot be set.

—: Can be set, but there will be a degree of error.

\*: Continuous transfer is not possible.

Notes: 1. Supported on the H8S/2378 0.18 $\mu$ m F-ZTAT Group and H8S/2378R 0.18 $\mu$ m F-ZTAT Group only.

2. Supported on the H8S/2378 only.

**Table 15.7 Maximum Bit Rate with External Clock Input (Clocked Synchronous Mode)**

| $\phi$ (MHz) | External Input Clock (MHz) | Maximum Bit Rate (bit/s) | $\phi$ (MHz)     | External Input Clock (MHz) | Maximum Bit Rate (bit/s) |
|--------------|----------------------------|--------------------------|------------------|----------------------------|--------------------------|
| 8            | 1.3333                     | 1333333.3                | 20               | 3.3333                     | 3333333.3                |
| 10           | 1.6667                     | 1666666.7                | 25               | 4.1667                     | 4166666.7                |
| 12           | 2.0000                     | 2000000.0                | 30               | 5.0000                     | 5000000.0                |
| 14           | 2.3333                     | 2333333.3                | 33               | 5.5000                     | 5500000.0                |
| 16           | 2.6667                     | 2666666.7                | 34* <sup>1</sup> | 5.6667                     | 5666666.7                |
| 18           | 3.0000                     | 3000000.0                | 35* <sup>2</sup> | 5.8336                     | 5833625.0                |

Notes: 1. Supported on the H8S/2378 0.18 $\mu$ m F-ZTAT Group and H8S/2378R 0.18 $\mu$ m F-ZTAT Group only.  
2. Supported on the H8S/2378 only.

**Table 15.8 Examples of Bit Rate for Various BRR Settings (Smart Card Interface Mode) (when n = 0 and S = 372)**

| Bit Rate (bit/s) | Operating Frequency $\phi$ (MHz) |   |           |         |   |           |       |   |           |         |   |           |
|------------------|----------------------------------|---|-----------|---------|---|-----------|-------|---|-----------|---------|---|-----------|
|                  | 10.00                            |   |           | 10.7136 |   |           | 13.00 |   |           | 14.2848 |   |           |
|                  | n                                | N | Error (%) | n       | N | Error (%) | n     | N | Error (%) | n       | N | Error (%) |
| 9600             | 0                                | 1 | 30.00     | 0       | 1 | 25.00     | 0     | 1 | 8.99      | 0       | 1 | 0.00      |

| Bit Rate (bit/s) | Operating Frequency $\phi$ (MHz) |   |           |       |   |           |       |   |           |       |   |           |
|------------------|----------------------------------|---|-----------|-------|---|-----------|-------|---|-----------|-------|---|-----------|
|                  | 16.00                            |   |           | 18.00 |   |           | 20.00 |   |           | 25.00 |   |           |
|                  | n                                | N | Error (%) | n     | N | Error (%) | n     | N | Error (%) | n     | N | Error (%) |
| 9600             | 0                                | 1 | 12.01     | 0     | 2 | 15.99     | 0     | 2 | 6.66      | 0     | 3 | 12.49     |

| Bit Rate (bit/s) | Operating Frequency $\phi$ (MHz) |   |           |       |   |           |                     |   |           |                     |   |           |
|------------------|----------------------------------|---|-----------|-------|---|-----------|---------------------|---|-----------|---------------------|---|-----------|
|                  | 30.00                            |   |           | 33.00 |   |           | 34.00* <sup>1</sup> |   |           | 35.00* <sup>2</sup> |   |           |
|                  | n                                | N | Error (%) | n     | N | Error (%) | n                   | N | Error (%) | n                   | N | Error (%) |
| 9600             | 0                                | 3 | 5.01      | 0     | 4 | 7.59      | 0                   | 4 | 4.79      | 0                   | 4 | 1.99      |

Notes: 1. Supported on the H8S/2378 0.18 $\mu$ m F-ZTAT Group and H8S/2378R 0.18 $\mu$ m F-ZTAT Group only.  
2. Supported on the H8S/2378 only.

**Table 15.9 Maximum Bit Rate at Various Frequencies (Smart Card Interface Mode)**  
(when S = 372)

| $\phi$ (MHz) | Maximum Bit Rate (bit/s) | n | N | $\phi$ (MHz)        | Maximum Bit Rate (bit/s) | n | N |
|--------------|--------------------------|---|---|---------------------|--------------------------|---|---|
| 10.00        | 13441                    | 0 | 0 | 20.00               | 26882                    | 0 | 0 |
| 10.7136      | 14400                    | 0 | 0 | 25.00               | 33602                    | 0 | 0 |
| 13.00        | 17473                    | 0 | 0 | 30.00               | 40323                    | 0 | 0 |
| 14.2848      | 19200                    | 0 | 0 | 33.00               | 44355                    | 0 | 0 |
| 16.00        | 21505                    | 0 | 0 | 34.00* <sup>1</sup> | 45699                    | 0 | 0 |
| 18.00        | 24194                    | 0 | 0 | 35.00* <sup>2</sup> | 47043                    | 0 | 0 |

Notes: 1. Supported on the H8S/2378 0.18 $\mu$ m F-ZTAT Group and H8S/2378R 0.18 $\mu$ m F-ZTAT Group only.

2. Supported on the H8S/2378 only.

**15.3.10 IrDA Control Register (IrCR)**

IrCR selects the function of SCI\_0.

| Bit | Bit Name | Initial Value | R/W | Description   |   |
|-----|----------|---------------|-----|---|---|
| 7   | IrE      | 0             | R/W | IrDA Enable<br>Specifies normal SCI mode or IrDA mode for SCI_0 input/output.<br>0: Pins TxD0/IrTxD and RxD0/IrRxD function as TxD0 and RxD0<br>1: Pins TxD0/IrTxD and RxD0/IrRxD function as IrTxD and IrRxD   |   |
| 6   | IrCKS2   | 0             | R/W | IrDA Clock Select 2 to 0  |   |
| 5   | IrCKS1   | 0             | R/W | Specifies the high pulse width in IrTxD output pulse encoding when the IrDA function is enabled.<br>000: Pulse width = $B \times 3/16$ (3/16 of bit rate)<br>001: Pulse width = $\phi/2$<br>010: Pulse width = $\phi/4$<br>011: Pulse width = $\phi/8$<br>100: Pulse width = $\phi/16$<br>101: Pulse width = $\phi/32$<br>110: Pulse width = $\phi/64$<br>111: Pulse width = $\phi/128$ |   |
| 4   | IrCKS0   | 0             | R/W |   |   |
| 3   | —        | All 0         | —   |   | Reserved  |
| to  |          |               |     |   | These bits are always read as 0 and cannot be modified. |
| 0   |          |               |     |   |   |



### 15.3.11 Serial Extension Mode Register (SEMR)

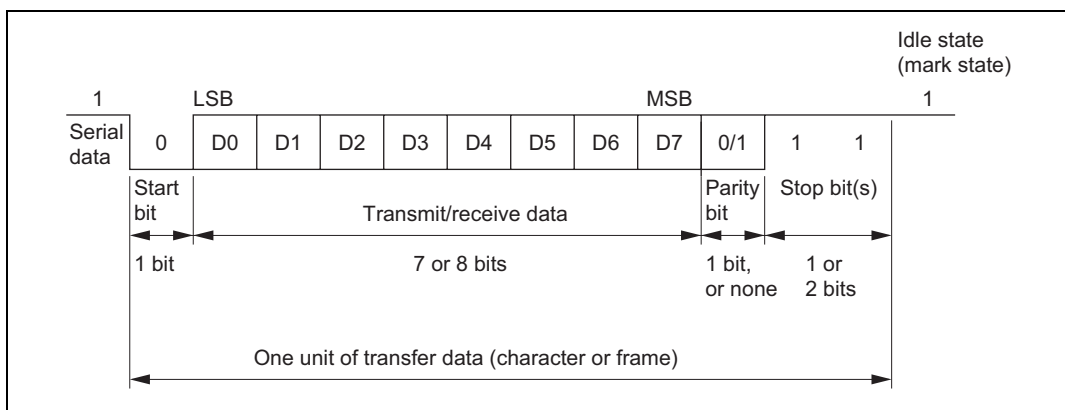
SEMR selects the clock source in asynchronous mode. The basic clock can be automatically set by selecting the average transfer rate.

| Bit          | Bit Name | Initial Value | R/W | Description   |
|--------------|----------|---------------|-----|---|
| 7<br>to<br>4 | —        | Undefined     | —   | Reserved<br>If these bits are read, an undefined value will be returned and cannot be modified.   |
| 3            | ABCS     | 0             | R/W | Asynchronous basic clock selection (valid only in asynchronous mode)<br>Selects the basic clock for 1-bit period in asynchronous mode.<br>0: Operates on a basic clock with a frequency of 16 times the transfer rate.<br>1: Operates on a basic clock with a frequency of 8 times the transfer rate. |

| Bit | Bit Name | Initial Value | R/W | Description   |
|-----|----------|---------------|-----|---|
| 2   | ACS2     | 0             | R/W | Asynchronous clock source selection (valid when<br>CKE1 = 1 in asynchronous mode)   |
| 1   | ACS1     | 0             | R/W |   |
| 0   | ACS0     | 0             | R/W |   |
|     |          |               |     | Selects the clock source for the average transfer rate.   |
|     |          |               |     | The basic clock can be automatically set by selecting the average transfer rate in spite of the value of ABCS.  |
|     |          |               |     | 000: External clock input   |
|     |          |               |     | 001: Selects 115.152 kbps which is the average transfer rate dedicated for $\phi = 10.667$ MHz. (Operates on a basic clock with a frequency of 16 times the transfer rate.) |
|     |          |               |     | 010: Selects 460.606 kbps which is the average transfer rate dedicated for $\phi = 10.667$ MHz. (Operates on a basic clock with a frequency of 8 times the transfer rate.)  |
|     |          |               |     | 011: Selects 720 kbps which is the average transfer rate dedicated for $\phi = 32$ MHz. (Operates on a basic clock with a frequency of 16 times the transfer rate.)         |
|     |          |               |     | 100: Reserved   |
|     |          |               |     | 101: Selects 115.196 kbps which is the average transfer rate dedicated for $\phi = 16$ MHz (Operates on a basic clock with a frequency of 16 times the transfer rate.)      |
|     |          |               |     | 110: Selects 460.784 kbps which is the average transfer rate dedicated for $\phi = 16$ MHz (Operates on a basic clock with a frequency of 16 times the transfer rate.)      |
|     |          |               |     | 111: Selects 720 kbps which is the average transfer rate dedicated for $\phi = 16$ MHz (Operates on a basic clock with a frequency of 8 times the transfer rate.)           |
|     |          |               |     | Note that the average transfer rate does not correspond to the frequency other than 10.667, 16, or 32 MHz.  |

## 15.4 Operation in Asynchronous Mode

Figure 15.2 shows the general format for asynchronous serial communication. One frame consists of a start bit (low level), followed by transfer data, a parity bit, and finally stop bits (high level). In asynchronous serial communication, the transmission line is usually held in the mark state (high level). The SCI monitors the transmission line, and when it goes to the space state (low level), recognizes a start bit and starts serial communication. In asynchronous serial communication, the communication line is usually held in the mark state (high level). The SCI monitors the communication line, and when it goes to the space state (low level), recognizes a start bit and starts serial communication. Inside the SCI, the transmitter and receiver are independent units, enabling full-duplex communication. Both the transmitter and the receiver also have a double-buffered structure, so that data can be read or written during transmission or reception, enabling continuous data transfer.



**Figure 15.2 Data Format in Asynchronous Communication**  
(Example with 8-Bit Data, Parity, Two Stop Bits)

### 15.4.1 Data Transfer Format

Table 15.10 shows the data transfer formats that can be used in asynchronous mode. Any of 12 transfer formats can be selected according to the SMR setting. For details on the multiprocessor bit, refer to section 15.5, Multiprocessor Communication Function.

Table 15.10 Serial Transfer Formats (Asynchronous Mode)

| SMR Settings |    |    |      | Serial Transfer Format and Frame Length |            |   |   |   |   |   |   |      |      |      |      |  |  |  |
|--------------|----|----|------|---|------------|---|---|---|---|---|---|------|------|------|------|--|--|--|
| CHR          | PE | MP | STOP | 1                                       | 2          | 3 | 4 | 5 | 6 | 7 | 8 | 9    | 10   | 11   | 12   |  |  |  |
| 0            | 0  | 0  | 0    | S                                       | 8-bit data |   |   |   |   |   |   |      | STOP |      |      |  |  |  |
| 0            | 0  | 0  | 1    | S                                       | 8-bit data |   |   |   |   |   |   |      | STOP | STOP |      |  |  |  |
| 0            | 1  | 0  | 0    | S                                       | 8-bit data |   |   |   |   |   |   |      | P    | STOP |      |  |  |  |
| 0            | 1  | 0  | 1    | S                                       | 8-bit data |   |   |   |   |   |   |      | P    | STOP | STOP |  |  |  |
| 1            | 0  | 0  | 0    | S                                       | 7-bit data |   |   |   |   |   |   | STOP |      |      |      |  |  |  |
| 1            | 0  | 0  | 1    | S                                       | 7-bit data |   |   |   |   |   |   | STOP | STOP |      |      |  |  |  |
| 1            | 1  | 0  | 0    | S                                       | 7-bit data |   |   |   |   |   |   | P    | STOP |      |      |  |  |  |
| 1            | 1  | 0  | 1    | S                                       | 7-bit data |   |   |   |   |   |   | P    | STOP | STOP |      |  |  |  |
| 0            | —  | 1  | 0    | S                                       | 8-bit data |   |   |   |   |   |   |      | MPB  | STOP |      |  |  |  |
| 0            | —  | 1  | 1    | S                                       | 8-bit data |   |   |   |   |   |   |      | MPB  | STOP | STOP |  |  |  |
| 1            | —  | 1  | 0    | S                                       | 7-bit data |   |   |   |   |   |   | MPB  | STOP |      |      |  |  |  |
| 1            | —  | 1  | 1    | S                                       | 7-bit data |   |   |   |   |   |   | MPB  | STOP | STOP |      |  |  |  |

## Legend:

S : Start bit

STOP : Stop bit

P : Parity bit

MPB : Multiprocessor bit

### 15.4.2 Receive Data Sampling Timing and Reception Margin in Asynchronous Mode

In asynchronous mode, the SCI operates on a basic clock with a frequency of 16 times the bit rate. In reception, the SCI samples the falling edge of the start bit using the basic clock, and performs internal synchronization. Receive data is latched at the middle of each bit by sampling the data at the rising edge of the 8th pulse of the basic clock as shown in figure 15.3. Thus the reception margin in asynchronous mode is given by formula (1) below.

$$M = \left\{ \left( 0.5 - \frac{1}{2N} \right) - (L - 0.5) F - \frac{|D - 0.5|}{N} (1 + F) \right\} \times 100 [\%] \quad \dots \text{Formula (1)}$$

Where M: Reception Margin

N: Ratio of bit rate to clock ( $N = 16$ )

D: Clock duty cycle ( $D = 0.5$  to  $1.0$ )

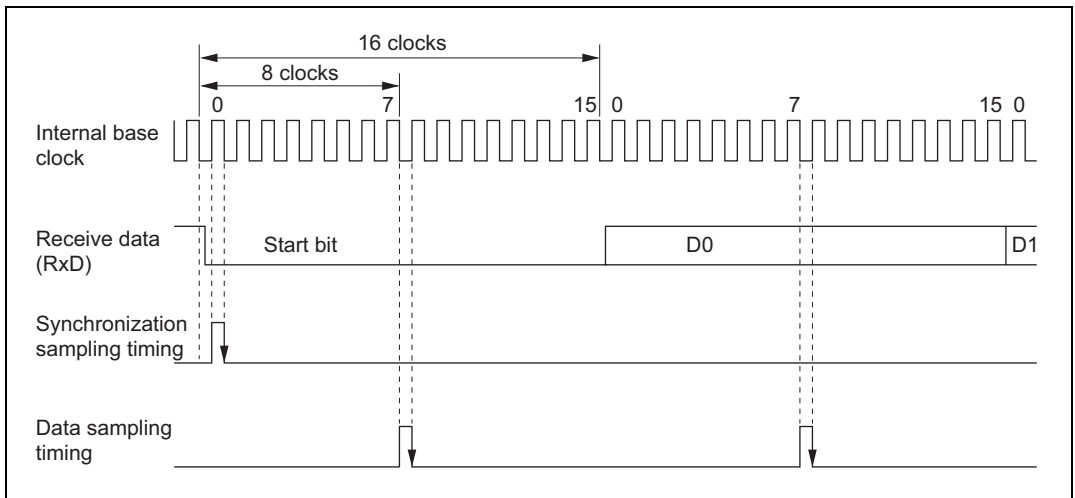
L: Frame length ( $L = 9$  to  $12$ )

F: Absolute value of clock rate deviation

Assuming values of  $F = 0$  and  $D = 0.5$  in formula (1), a reception margin is given by formula below.

$$M = \{ 0.5 - 1/(2 \times 16) \} \times 100 [\%] = 46.875\%$$

However, this is only the computed value, and a margin of 20% to 30% should be allowed in system design.

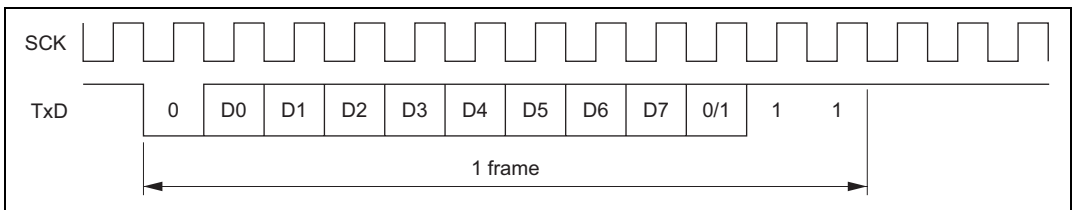


**Figure 15.3 Receive Data Sampling Timing in Asynchronous Mode**

### 15.4.3 Clock

Either an internal clock generated by the on-chip baud rate generator or an external clock input at the SCK pin can be selected as the SCI's serial clock, according to the setting of the C/A bit in SMR and the CKE1 and CKE0 bits in SCR. When an external clock is input at the SCK pin, the clock frequency should be 16 times the bit rate used.

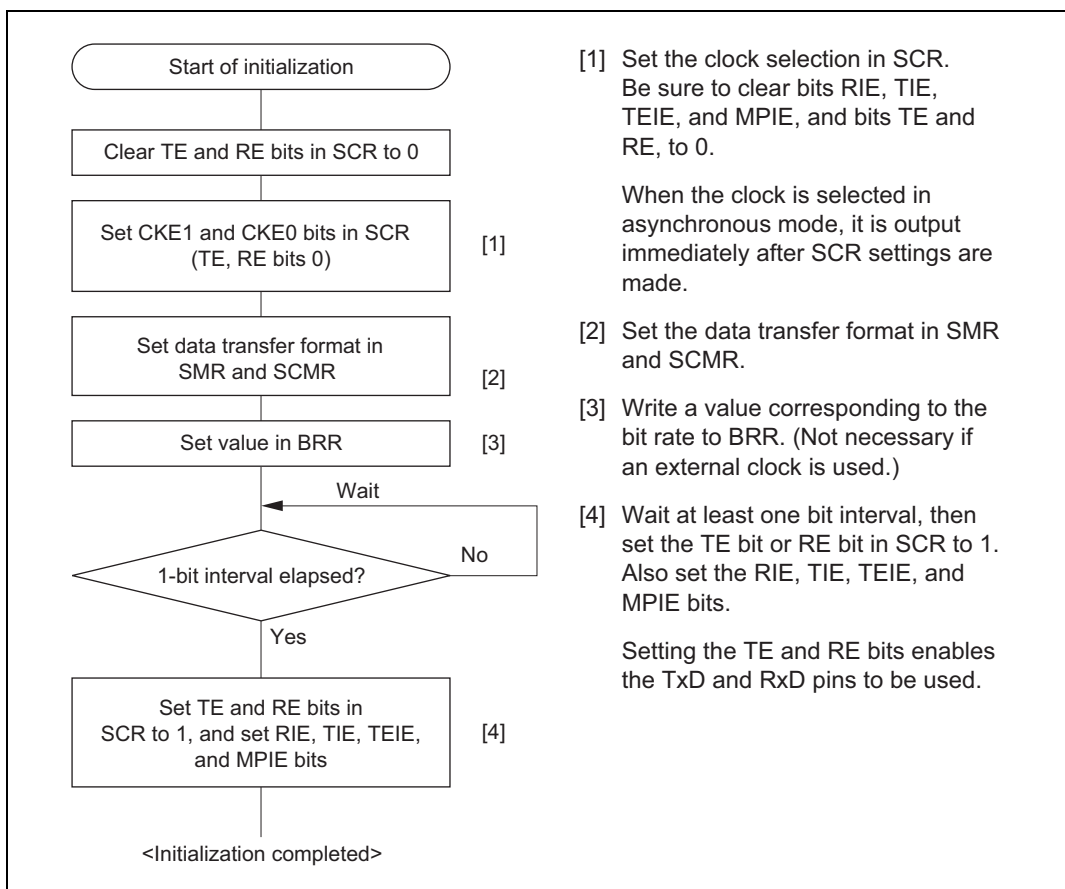
When the SCI is operated on an internal clock, the clock can be output from the SCK pin. The frequency of the clock output in this case is equal to the bit rate, and the phase is such that the rising edge of the clock is in the middle of the transmit data, as shown in figure 15.4.



**Figure 15.4 Relation between Output Clock and Transfer Data Phase (Asynchronous Mode)**

### 15.4.4 SCI Initialization (Asynchronous Mode)

Before transmitting and receiving data, you should first clear the TE and RE bits in SCR to 0, then initialize the SCI as shown in figure 15.5. Do not write to SMR, SCMR, IrCR, or SEMR while the SCI is operating. This also applies to writing the same data as the current register contents. When the operating mode, transfer format, etc., is changed, the TE and RE bits must be cleared to 0 before making the change. When the TE bit is cleared to 0, the TDRE flag is set to 1. Note that clearing the RE bit to 0 does not initialize the contents of the RDRF, PER, FER, and ORER flags, or the contents of RDR. When the external clock is used in asynchronous mode, the clock must be supplied even during initialization.



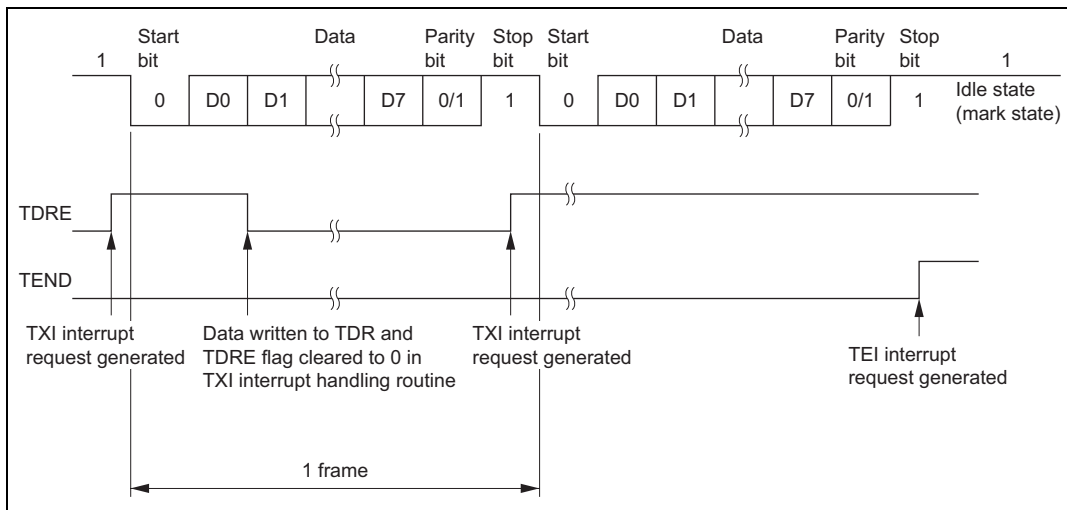
**Figure 15.5 Sample SCI Initialization Flowchart**

### 15.4.5 Data Transmission (Asynchronous Mode)

Figure 15.6 shows an example of the operation for transmission in asynchronous mode. In transmission, the SCI operates as described below.

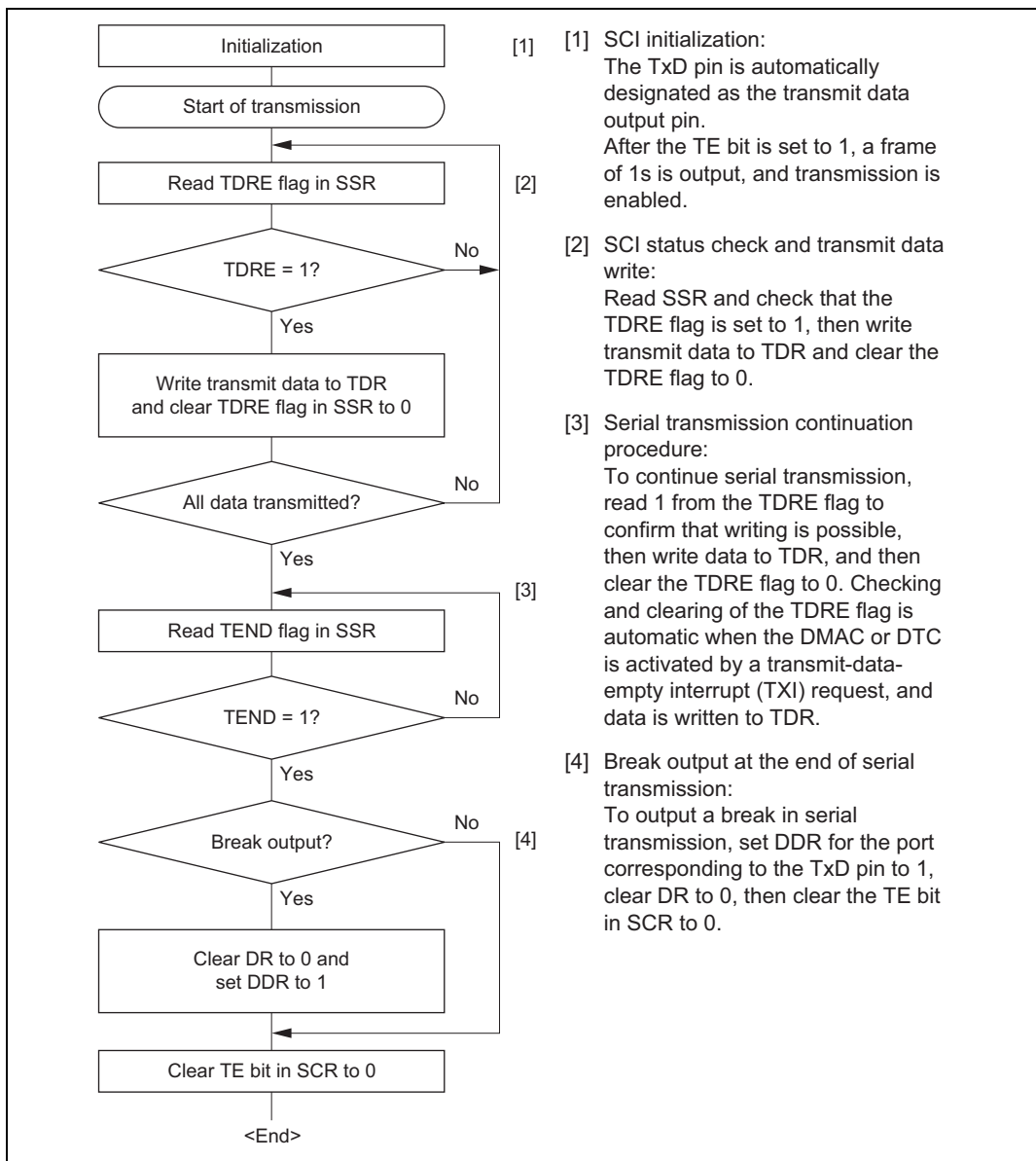
1. The SCI monitors the TDRE flag in SSR, and if it is cleared to 0, recognizes that data has been written to TDR, and transfers the data from TDR to TSR.
2. After transferring data from TDR to TSR, the SCI sets the TDRE flag to 1 and starts transmission. If the TIE bit is set to 1 at this time, a transmit data empty interrupt request (TXI) is generated. Because the TXI interrupt routine writes the next transmit data to TDR before transmission of the current transmit data has finished, continuous transmission can be enabled.
3. Data is sent from the TxDP pin in the following order: start bit, transmit data, parity bit or multiprocessor bit (may be omitted depending on the format), and stop bit.
4. The SCI checks the TDRE flag at the timing for sending the stop bit.
5. If the TDRE flag is 0, the data is transferred from TDR to TSR, the stop bit is sent, and then serial transmission of the next frame is started.
6. If the TDRE flag is 1, the TEND flag in SSR is set to 1, the stop bit is sent, and then the “mark state” is entered in which 1 is output. If the TEIE bit in SCR is set to 1 at this time, a TEI interrupt request is generated.

Figure 15.7 shows a sample flowchart for transmission in asynchronous mode.



**Figure 15.6 Example of Operation in Transmission in Asynchronous Mode  
(Example with 8-Bit Data, Parity, One Stop Bit)**



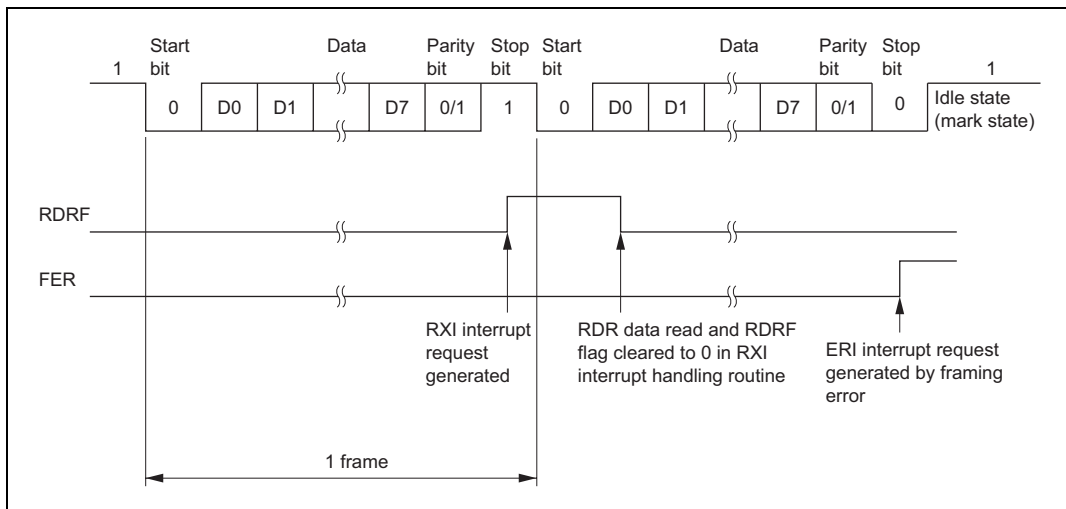


**Figure 15.7 Sample Serial Transmission Flowchart**

### 15.4.6 Serial Data Reception (Asynchronous Mode)

Figure 15.8 shows an example of the operation for reception in asynchronous mode. In serial reception, the SCI operates as described below.

1. The SCI monitors the communication line, and if a start bit is detected, performs internal synchronization, receives receive data in RSR, and checks the parity bit and stop bit.
2. If an overrun error (when reception of the next data is completed while the RDRF flag is still set to 1) occurs, the ORER bit in SSR is set to 1. If the RIE bit in SCR is set to 1 at this time, an ERI interrupt request is generated. Receive data is not transferred to RDR. The RDRF flag remains to be set to 1.
3. If a parity error is detected, the PER bit in SSR is set to 1 and receive data is transferred to RDR. If the RIE bit in SCR is set to 1 at this time, an ERI interrupt request is generated.
4. If a framing error (when the stop bit is 0) is detected, the FER bit in SSR is set to 1 and receive data is transferred to RDR. If the RIE bit in SCR is set to 1 at this time, an ERI interrupt request is generated.
5. If reception finishes successfully, the RDRF bit in SSR is set to 1, and receive data is transferred to RDR. If the RIE bit in SCR is set to 1 at this time, an RXI interrupt request is generated. Because the RXI interrupt routine reads the receive data transferred to RDR before reception of the next receive data has finished, continuous reception can be enabled.



**Figure 15.8 Example of SCI Operation in Reception  
(Example with 8-Bit Data, Parity, One Stop Bit)**

Table 15.11 shows the states of the SSR status flags and receive data handling when a receive error is detected. If a receive error is detected, the RDRF flag retains its state before receiving data. Reception cannot be resumed while a receive error flag is set to 1. Accordingly, clear the ORER, FER, PER, and RDRF bits to 0 before resuming reception. Figure 15.9 shows a sample flowchart for serial data reception.

**Table 15.11 SSR Status Flags and Receive Data Handling**

| SSR Status Flag |      |     |     | Receive Data       | Receive Error Type                           |
|-----------------|------|-----|-----|--------------------|--|
| RDRF*           | ORER | FER | PER |                    |  |
| 1               | 1    | 0   | 0   | Lost               | Overrun error                                |
| 0               | 0    | 1   | 0   | Transferred to RDR | Framing error                                |
| 0               | 0    | 0   | 1   | Transferred to RDR | Parity error                                 |
| 1               | 1    | 1   | 0   | Lost               | Overrun error + framing error                |
| 1               | 1    | 0   | 1   | Lost               | Overrun error + parity error                 |
| 0               | 0    | 1   | 1   | Transferred to RDR | Framing error + parity error                 |
| 1               | 1    | 1   | 1   | Lost               | Overrun error + framing error + parity error |

Note: \* The RDRF flag retains its state before data reception.

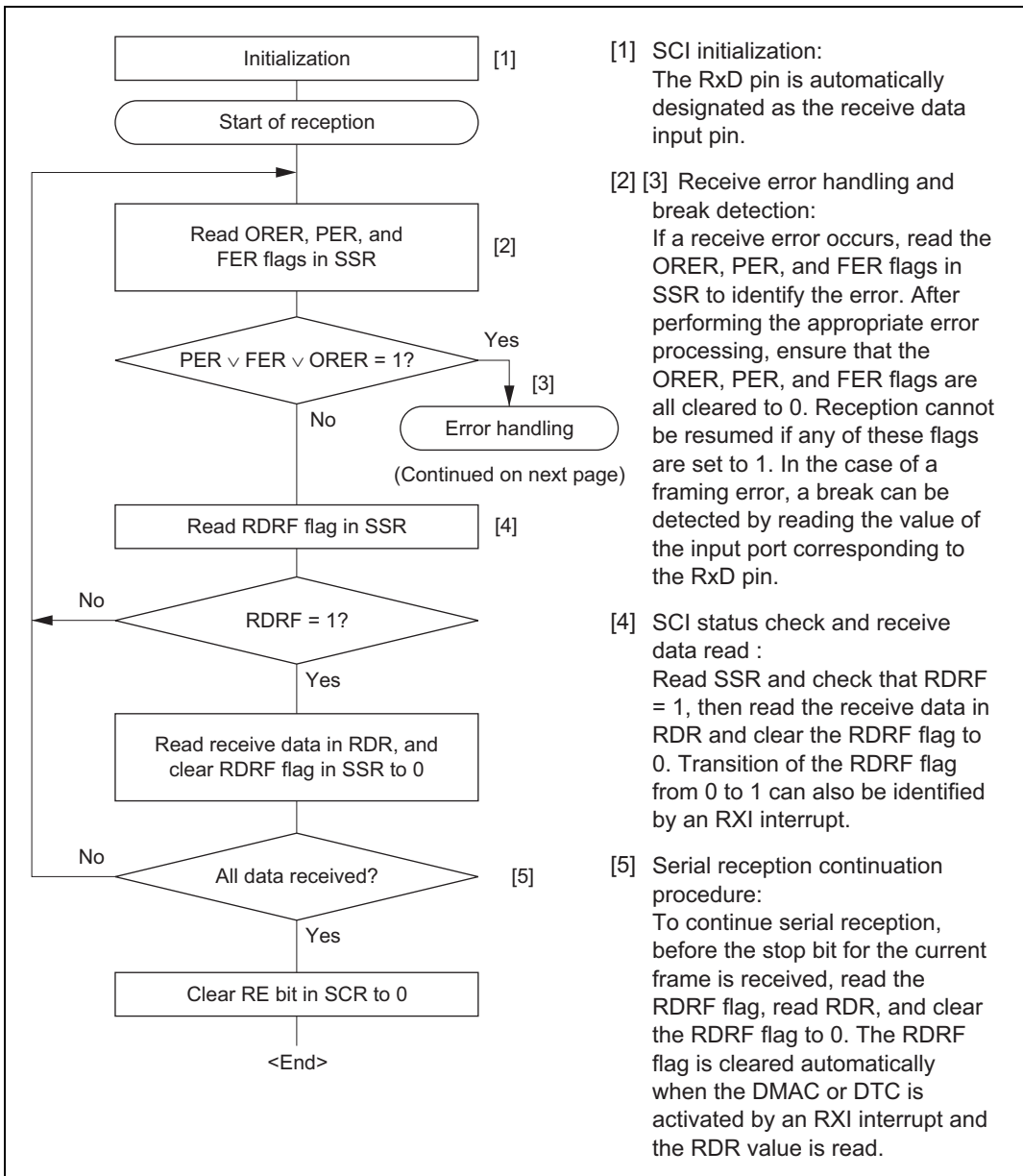


Figure 15.9 Sample Serial Reception Data Flowchart (1)

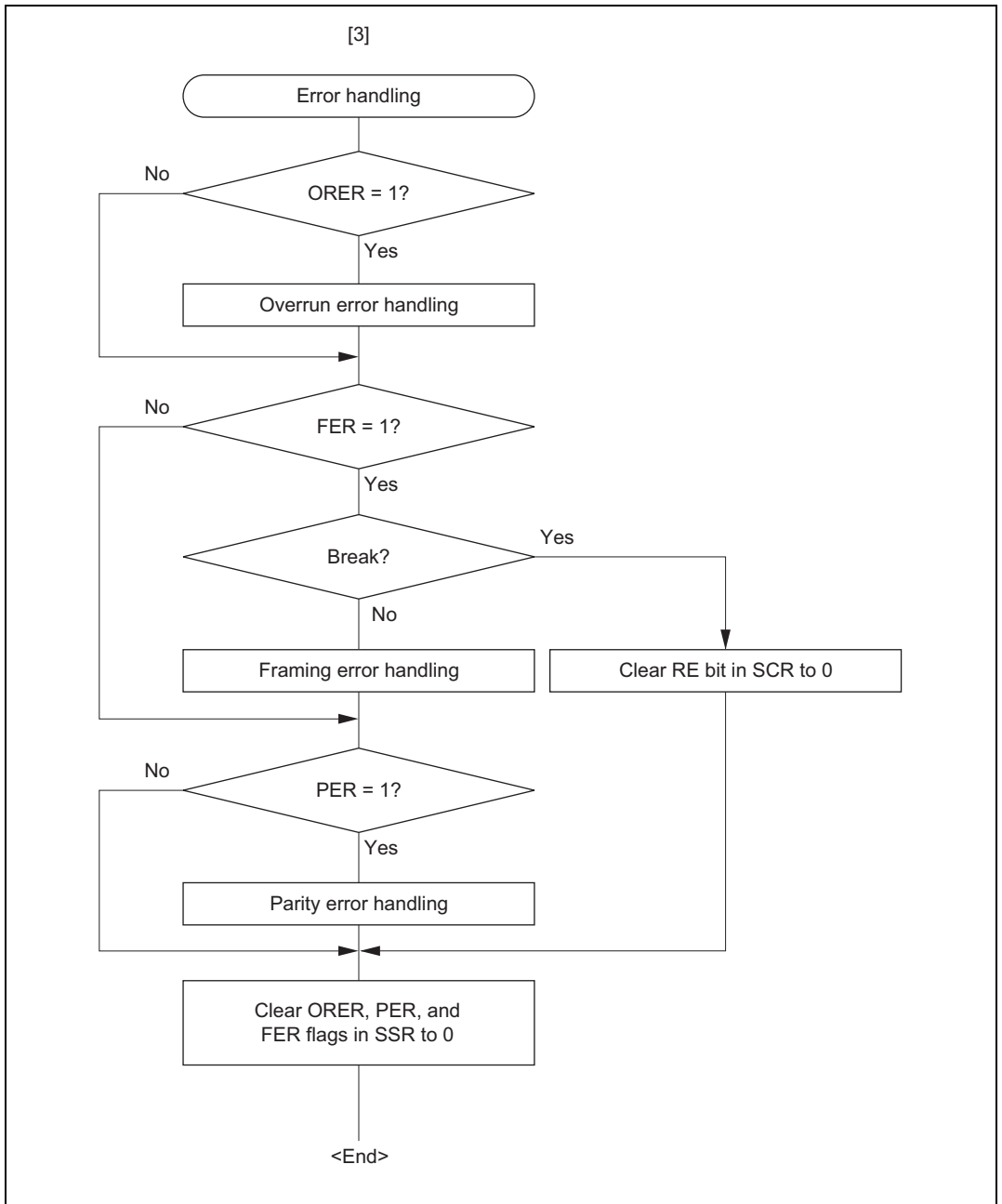


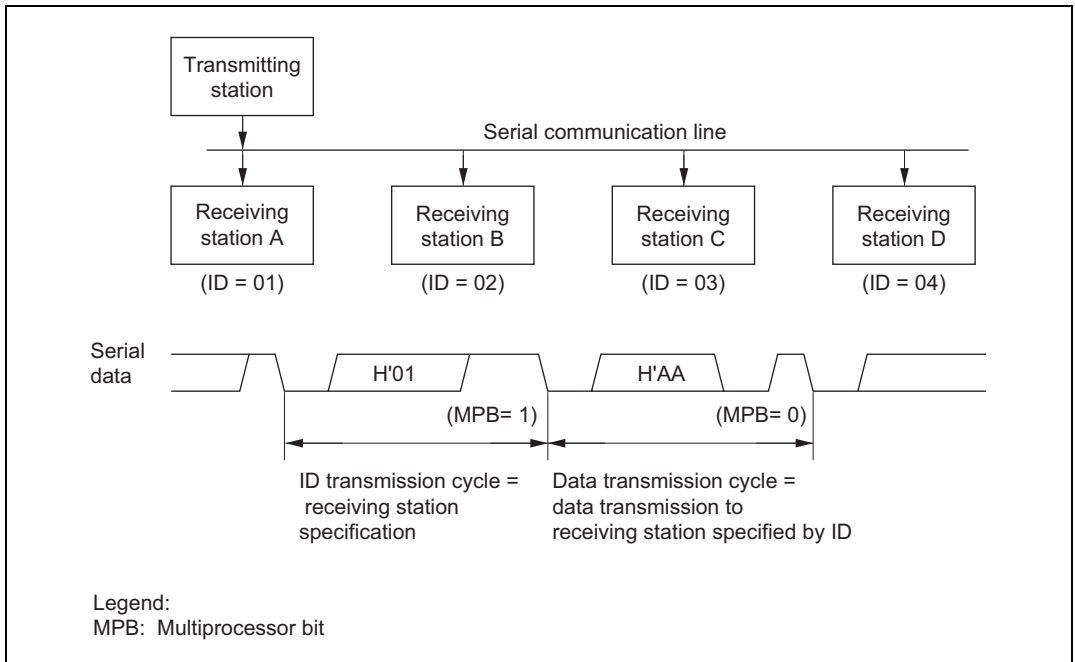
Figure 15.9 Sample Serial Reception Data Flowchart (2)

## 15.5 Multiprocessor Communication Function

Use of the multiprocessor communication function enables data transfer to be performed among a number of processors sharing communication lines by means of asynchronous serial communication using the multiprocessor format, in which a multiprocessor bit is added to the transfer data. When multiprocessor communication is carried out, each receiving station is addressed by a unique ID code. The serial communication cycle consists of two component cycles: an ID transmission cycle which specifies the receiving station, and a data transmission cycle to the specified receiving station. The multiprocessor bit is used to differentiate between the ID transmission cycle and the data transmission cycle. If the multiprocessor bit is 1, the cycle is an ID transmission cycle, and if the multiprocessor bit is 0, the cycle is a data transmission cycle. Figure 15.10 shows an example of inter-processor communication using the multiprocessor format. The transmitting station first sends communication data with a 1 multiprocessor bit added to the ID code of the receiving station. It then sends transmit data as data with a 0 multiprocessor bit added. When data with a 1 multiprocessor bit is received, the receiving station compares that data with its own ID. The station whose ID matches then receives the data sent next. Stations whose ID does not match continue to skip data until data with a 1 multiprocessor bit is again received.

The SCI uses the MPIE bit in SCR to implement this function. When the MPIE bit is set to 1, transfer of receive data from RSR to RDR, error flag detection, and setting the SSR status flags, RDRF, FER, and ORER to 1 are inhibited until data with a 1 multiprocessor bit is received. On reception of receive character with a 1 multiprocessor bit, the MPBR bit in SSR is set to 1 and the MPIE bit is automatically cleared, thus normal reception is resumed. If the RIE bit in SCR is set to 1 at this time, an RXI interrupt is generated.

When the multiprocessor format is selected, the parity bit setting is invalid. All other bit settings are the same as those in normal asynchronous mode. The clock used for multiprocessor communication is the same as that in normal asynchronous mode.



**Figure 15.10 Example of Communication Using Multiprocessor Format  
(Transmission of Data H'AA to Receiving Station A)**

### 15.5.1 Multiprocessor Serial Data Transmission

Figure 15.11 shows a sample flowchart for multiprocessor serial data transmission. For an ID transmission cycle, set the MPBT bit in SSR to 1 before transmission. For a data transmission cycle, clear the MPBT bit in SSR to 0 before transmission. All other SCI operations are the same as those in asynchronous mode.

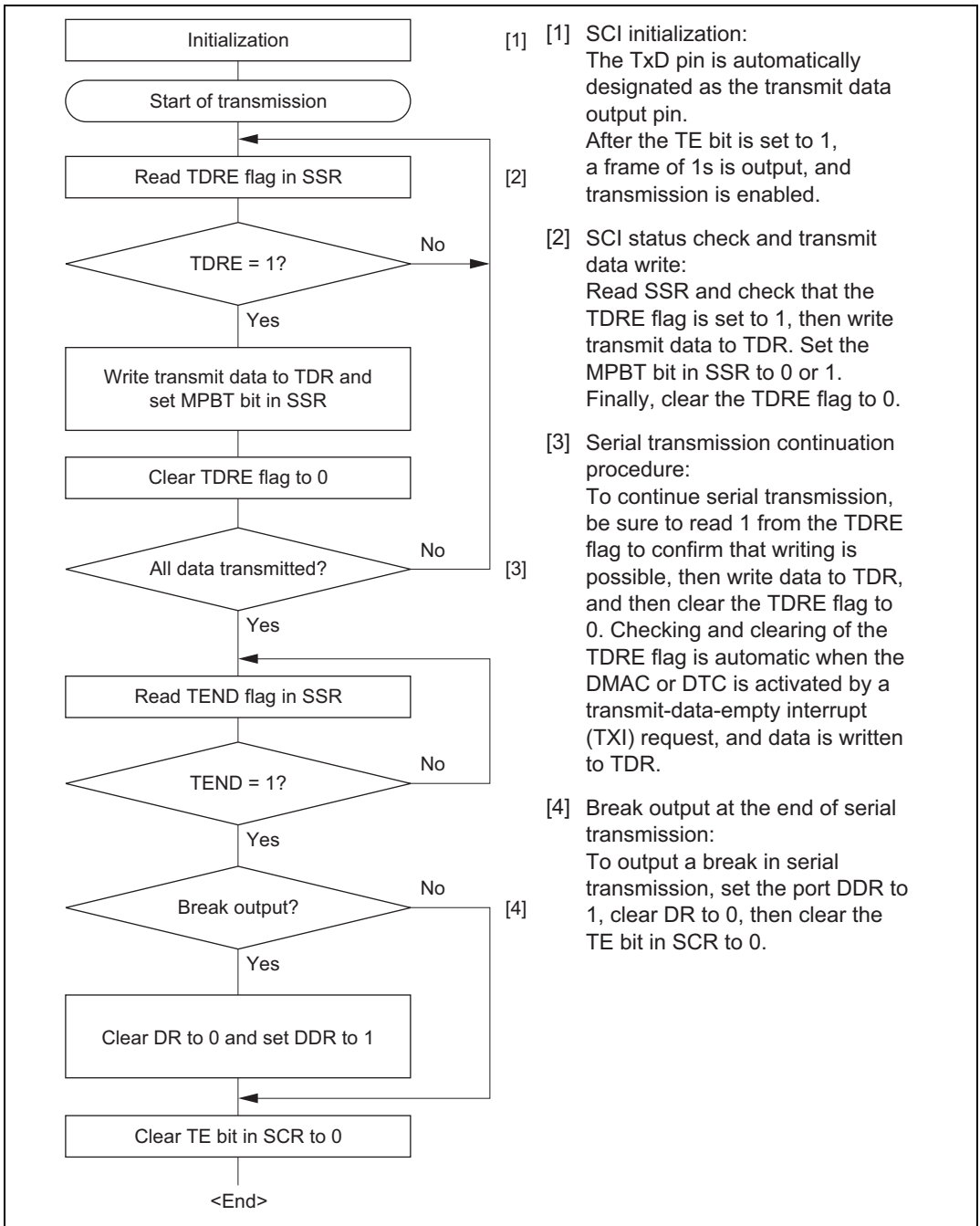
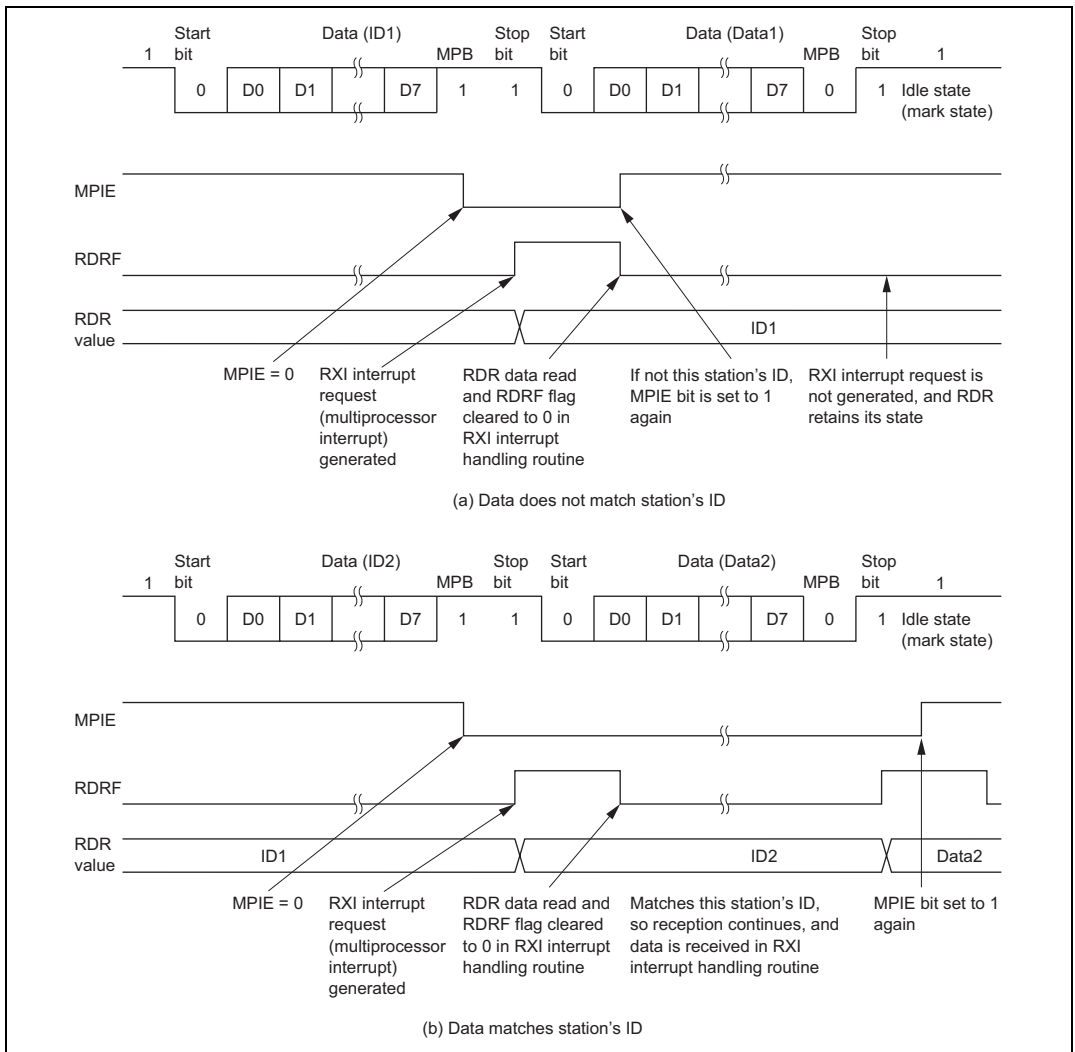


Figure 15.11 Sample Multiprocessor Serial Transmission Flowchart



## 15.5.2 Multiprocessor Serial Data Reception

Figure 15.13 shows a sample flowchart for multiprocessor serial data reception. If the MPIE bit in SCR is set to 1, data is skipped until data with a 1 multiprocessor bit is received. On receiving data with a 1 multiprocessor bit, the receive data is transferred to RDR. An RXI interrupt request is generated at this time. All other SCI operations are the same as in asynchronous mode. Figure 15.12 shows an example of SCI operation for multiprocessor format reception.



**Figure 15.12 Example of SCI Operation in Reception  
(Example with 8-Bit Data, Multiprocessor Bit, One Stop Bit)**

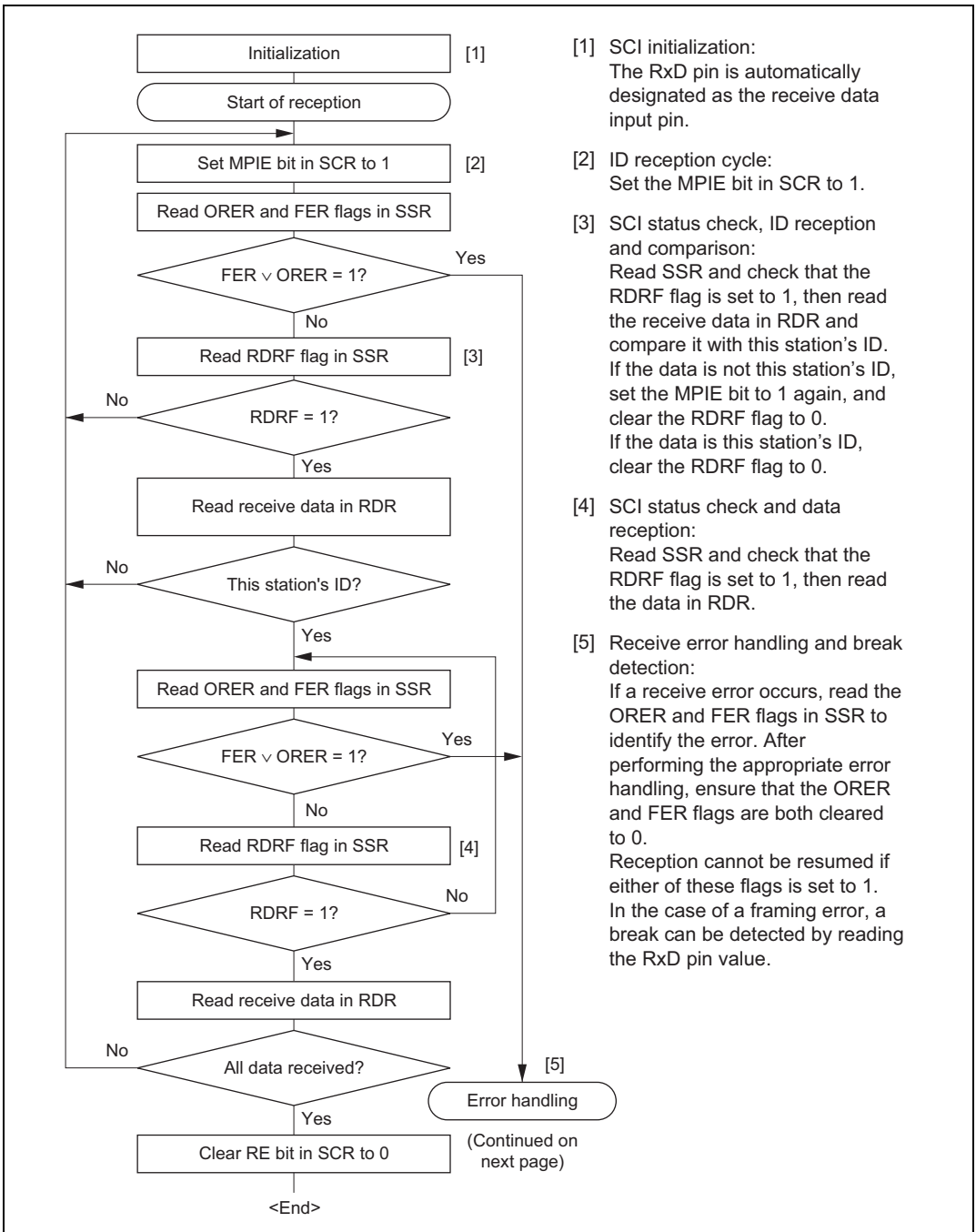
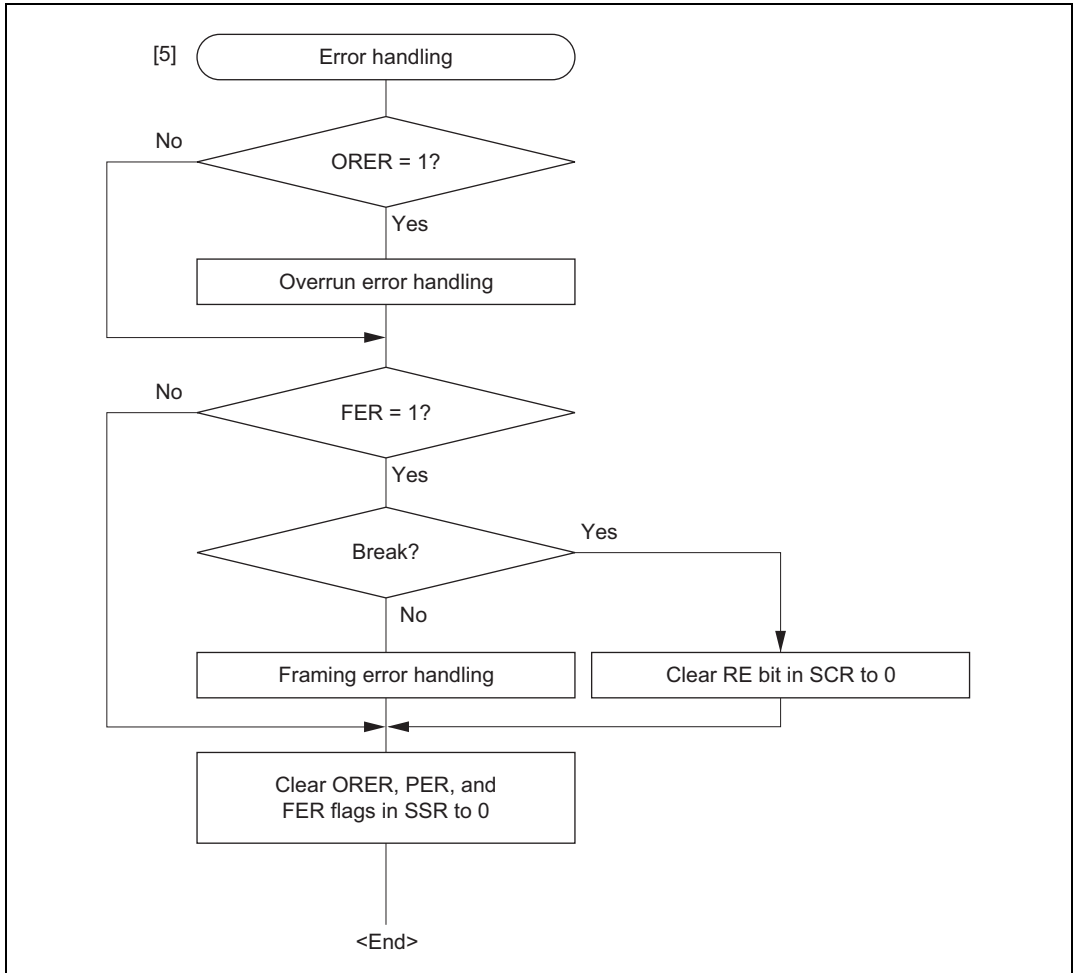


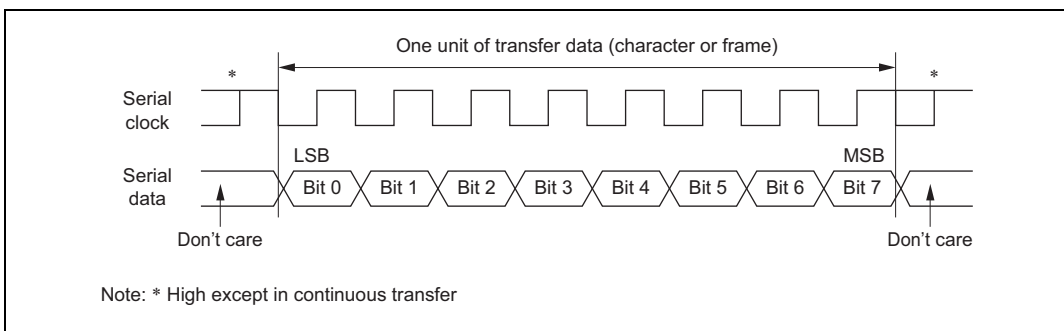
Figure 15.13 Sample Multiprocessor Serial Reception Flowchart (1)



**Figure 15.13 Sample Multiprocessor Serial Reception Flowchart (2)**

## 15.6 Operation in Clocked Synchronous Mode

Figure 15.14 shows the general format for clocked synchronous communication. In clocked synchronous mode, data is transmitted or received in synchronization with clock pulses. One character of communication data consists of 8-bit data. In clocked synchronous serial communication, data on the transmission line is output from one falling edge of the serial clock to the next. In clocked synchronous mode, the SCI receives data in synchronization with the rising edge of the serial clock. After 8-bit data is output, the transmission line holds the MSB state. In clocked synchronous mode, no parity or multiprocessor bit is added. Inside the SCI, the transmitter and receiver are independent units, enabling full-duplex communication by use of a common clock. Both the transmitter and the receiver also have a double-buffered structure, so that data can be read or written during transmission or reception, enabling continuous data transfer.



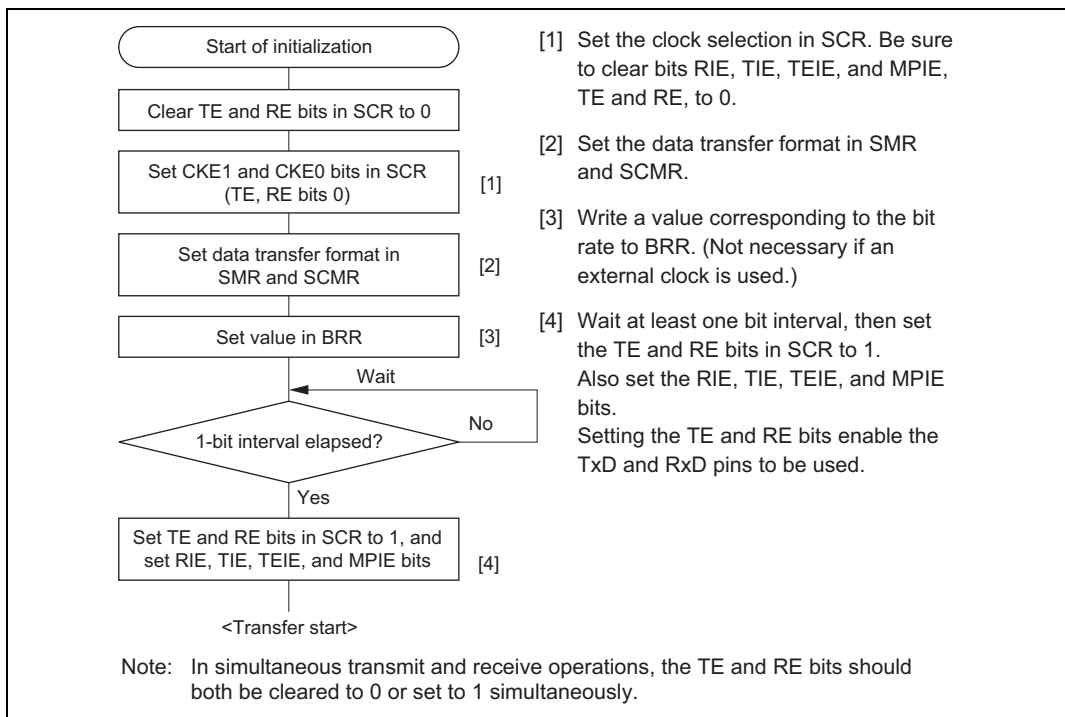
**Figure 15.14 Data Format in Clocked Synchronous Communication (For LSB-First)**

### 15.6.1 Clock

Either an internal clock generated by the on-chip baud rate generator or an external synchronization clock input at the SCK pin can be selected, according to the setting of CKE1 and CKE0 bits in SCR. When the SCI is operated on an internal clock, the serial clock is output from the SCK pin. Eight serial clock pulses are output in the transfer of one character, and when no transfer is performed the clock is fixed high.

### 15.6.2 SCI Initialization (Clocked Synchronous Mode)

Before transmitting and receiving data, you should first clear the TE and RE bits in SCR to 0, then initialize the SCI as described in a sample flowchart in figure 15.15. Do not write to SMR, SCMR, IrCR, or SEMR while the SCI is operating. This also applies to writing the same data as the current register contents. When the operating mode, transfer format, etc., is changed, the TE and RE bits must be cleared to 0 before making the change. When the TE bit is cleared to 0, the TDRE flag is set to 1. Note that clearing the RE bit to 0 does not change the contents of the RDRF, PER, FER, and ORER flags, or the contents of RDR.



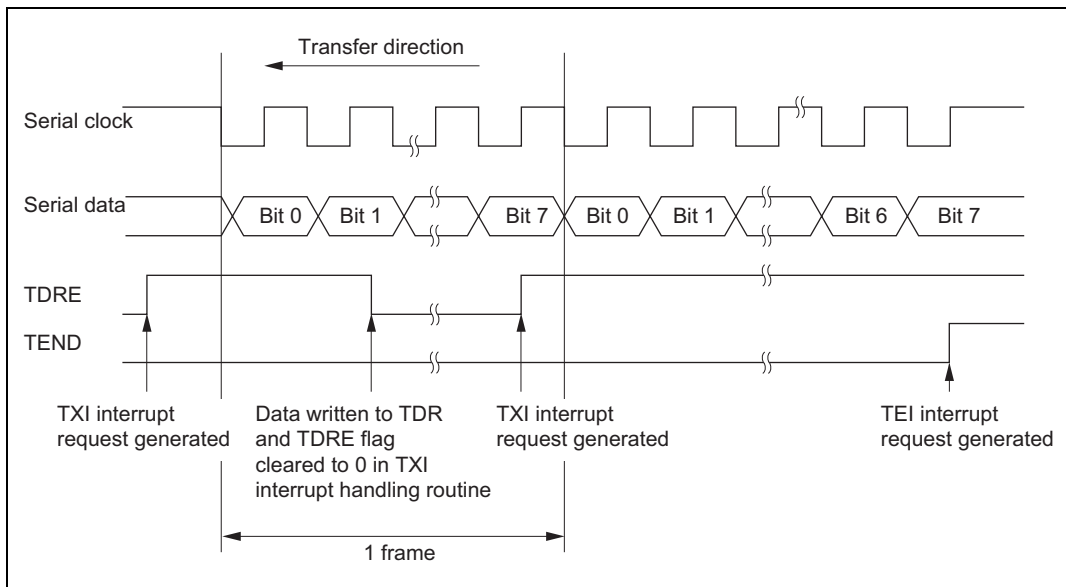
**Figure 15.15 Sample SCI Initialization Flowchart**

### 15.6.3 Serial Data Transmission (Clocked Synchronous Mode)

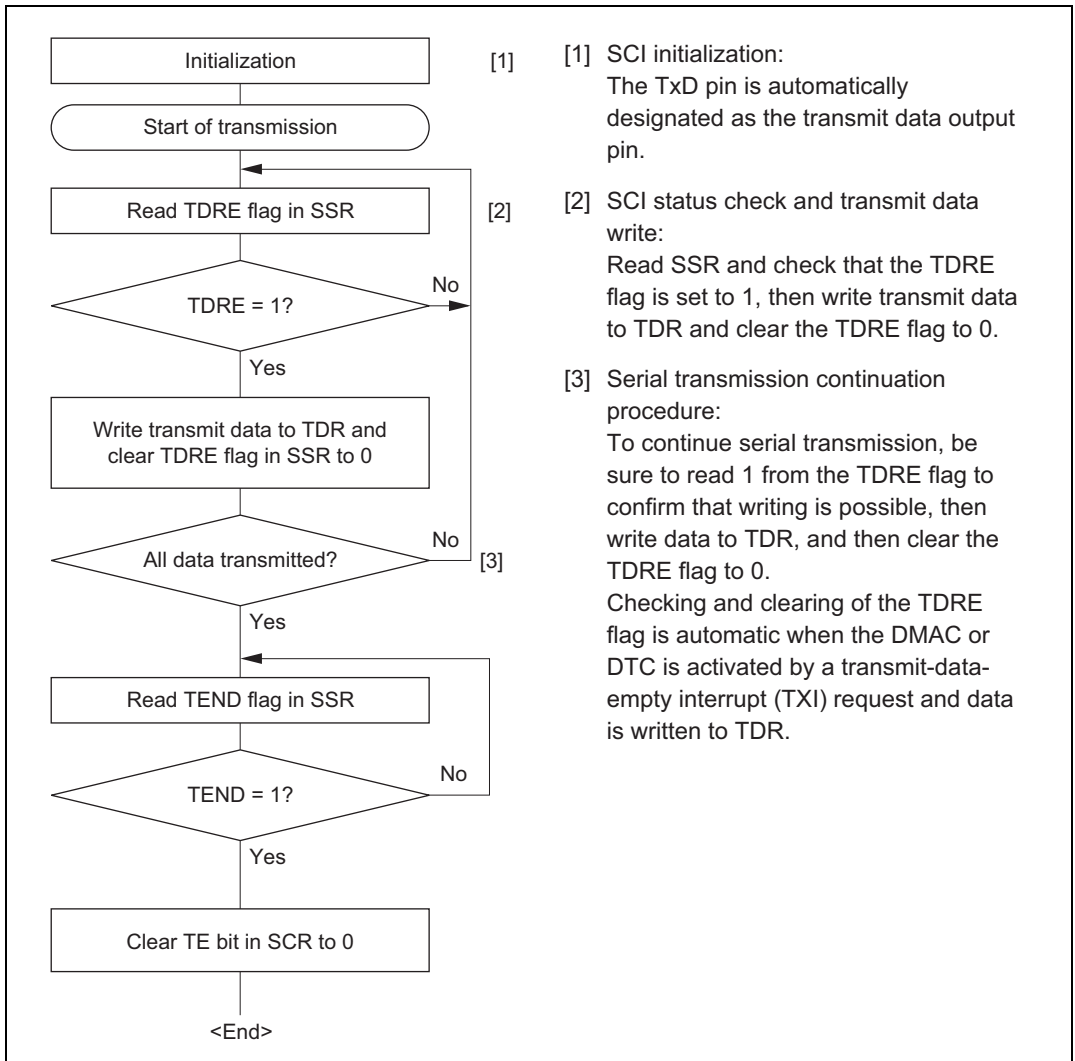
Figure 15.16 shows an example of SCI operation for transmission in clocked synchronous mode. In serial transmission, the SCI operates as described below.

1. The SCI monitors the TDRE flag in SSR, and if it is 0, recognizes that data has been written to TDR, and transfers the data from TDR to TSR.
2. After transferring data from TDR to TSR, the SCI sets the TDRE flag to 1 and starts transmission. If the TIE bit in SCR is set to 1 at this time, a TXI interrupt request is generated. Because the TXI interrupt routine writes the next transmit data to TDR before transmission of the current transmit data has finished, continuous transmission can be enabled.
3. 8-bit data is sent from the TxD pin synchronized with the output clock when output clock mode has been specified and synchronized with the input clock when use of an external clock has been specified.
4. The SCI checks the TDRE flag at the timing for sending the MSB.
5. If the TDRE flag is cleared to 0, data is transferred from TDR to TSR, and serial transmission of the next frame is started.
6. If the TDRE flag is set to 1, the TEND flag in SSR is set to 1, and the TxD pin maintains the output state of the last bit. If the TEIE bit in SCR is set to 1 at this time, a TEI interrupt request is generated. The SCK pin is fixed high.

Figure 15.17 shows a sample flowchart for serial data transmission. Even if the TDRE flag is cleared to 0, transmission will not start while a receive error flag (ORER, FER, or PER) is set to 1. Make sure to clear the receive error flags to 0 before starting transmission. Note that clearing the RE bit to 0 does not clear the receive error flags.



**Figure 15.16 Sample SCI Transmission Operation in Clocked Synchronous Mode**

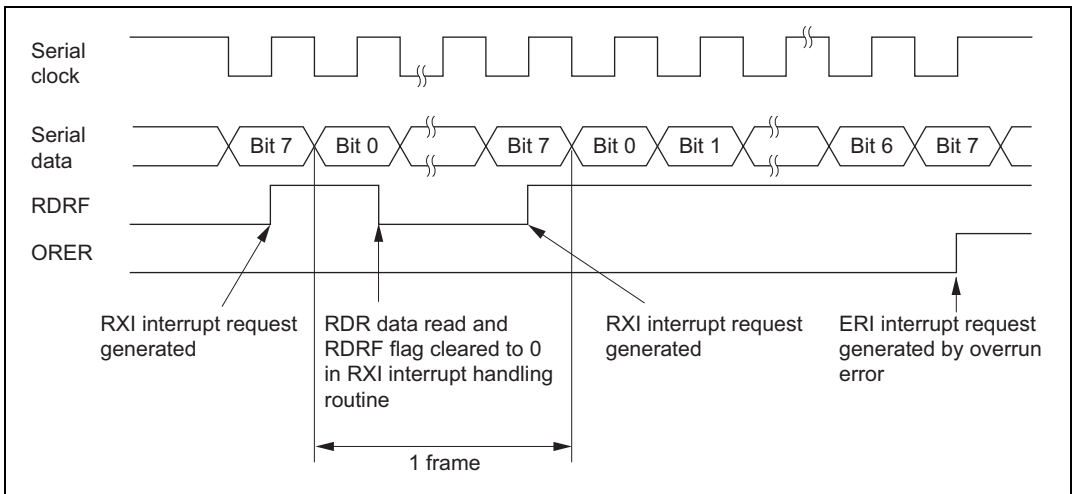


**Figure 15.17 Sample Serial Transmission Flowchart**

### 15.6.4 Serial Data Reception (Clocked Synchronous Mode)

Figure 15.18 shows an example of SCI operation for reception in clocked synchronous mode. In serial reception, the SCI operates as described below.

1. The SCI performs internal initialization in synchronization with a synchronization clock input or output, starts receiving data, and stores the received data in RSR.
2. If an overrun error (when reception of the next data is completed while the RDRF flag is still set to 1) occurs, the ORER bit in SSR is set to 1. If the RIE bit in SCR is set to 1 at this time, an ERI interrupt request is generated. Receive data is not transferred to RDR. The RDRF flag remains to be set to 1.
3. If reception finishes successfully, the RDRF bit in SSR is set to 1, and receive data is transferred to RDR. If the RIE bit in SCR is set to 1 at this time, an RXI interrupt request is generated. Because the RXI interrupt routine reads the receive data transferred to RDR before reception of the next receive data has finished, continuous reception can be enabled.



**Figure 15.18 Example of SCI Operation in Reception**

Transfer cannot be resumed while a receive error flag is set to 1. Accordingly, clear the ORER, FER, PER, and RDRF bits to 0 before resuming reception. Figure 15.19 shows a sample flowchart for serial data reception.



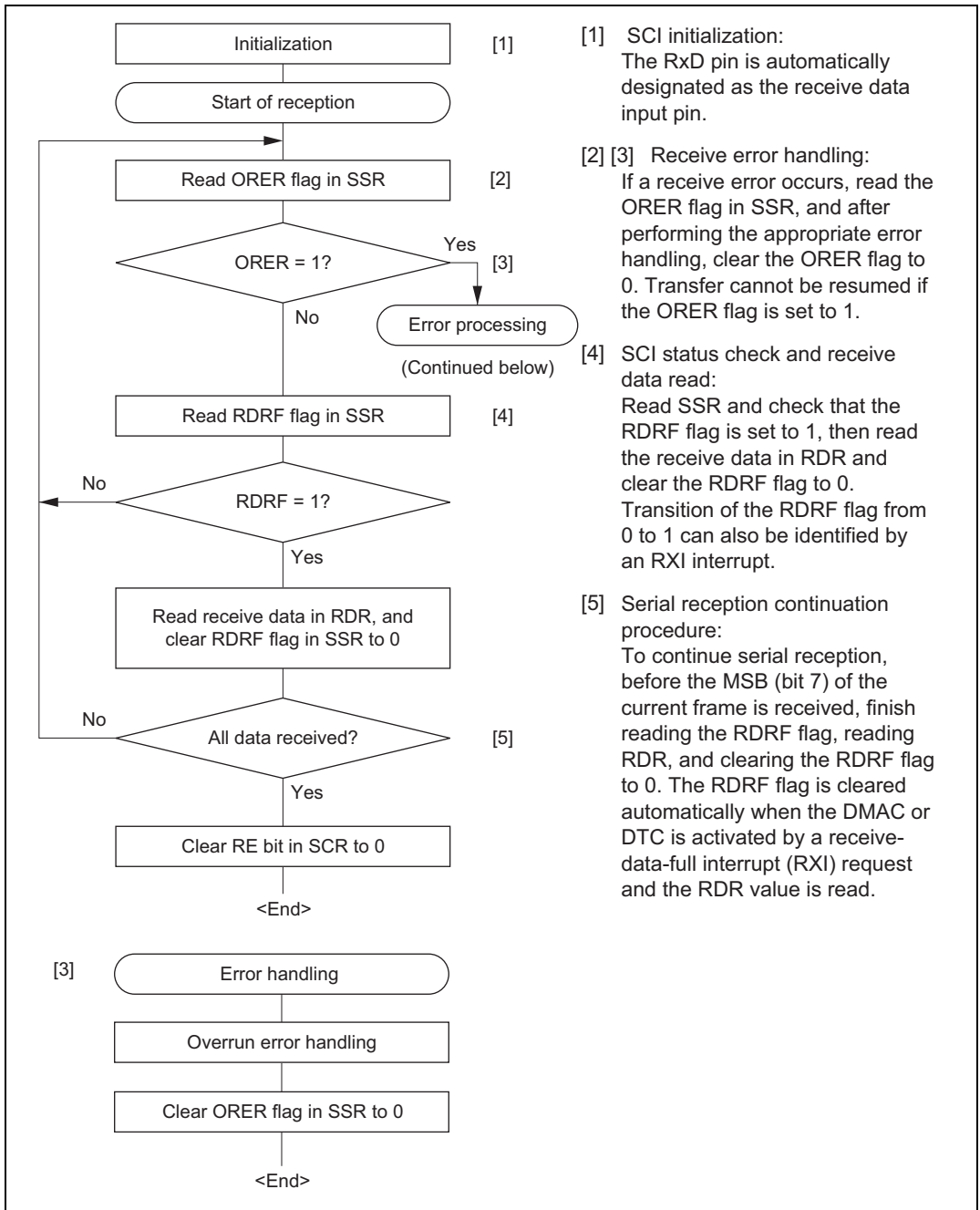
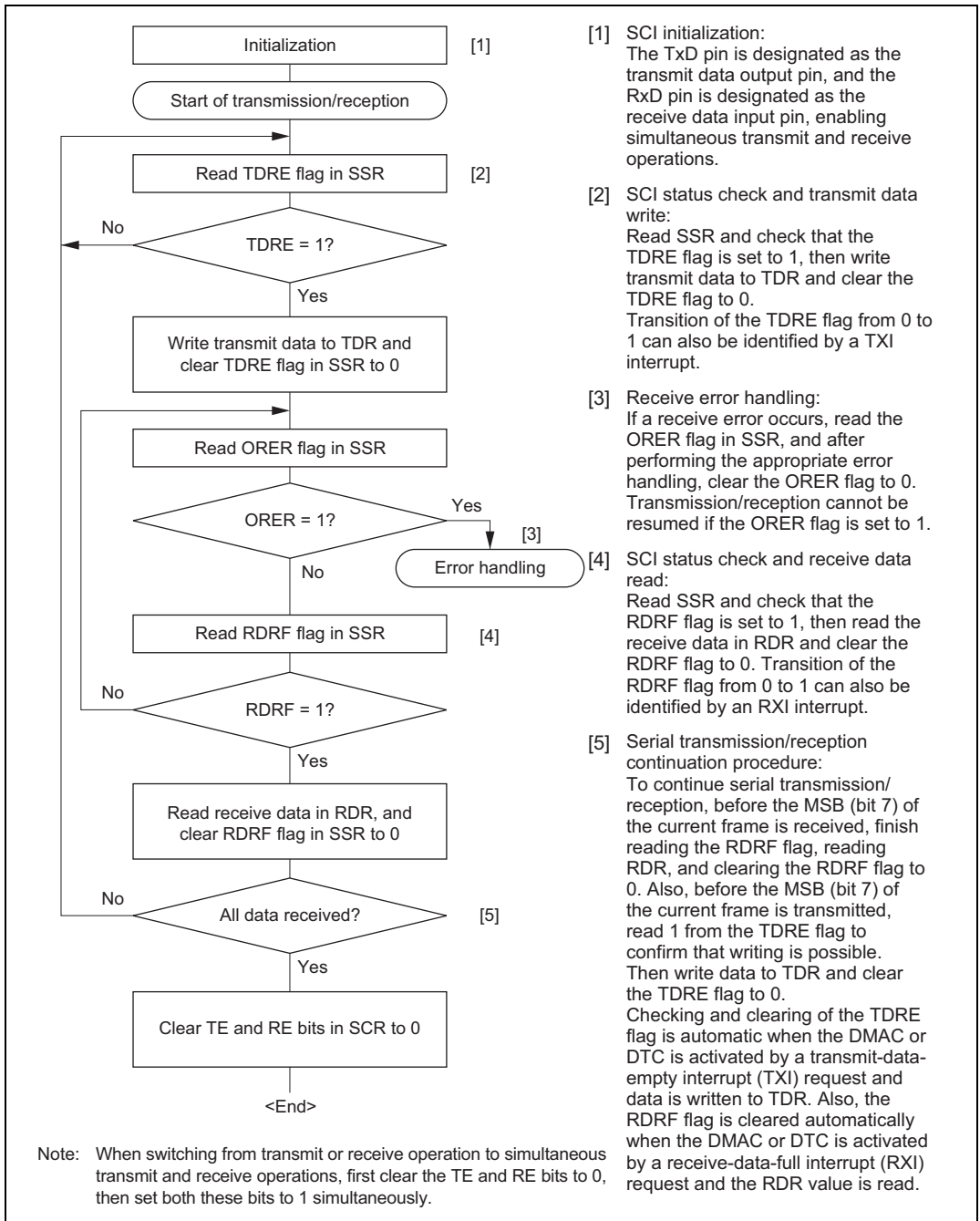


Figure 15.19 Sample Serial Reception Flowchart

### 15.6.5 Simultaneous Serial Data Transmission and Reception (Clocked Synchronous Mode)

Figure 15.20 shows a sample flowchart for simultaneous serial transmit and receive operations. The following procedure should be used for simultaneous serial data transmit and receive operations after the SCI is initialized. To switch from transmit mode to simultaneous transmit and receive mode, after checking that the SCI has finished transmission and the TDRE and TEND flags are set to 1, clear TE to 0. Then simultaneously set TE and RE to 1 with a single instruction. To switch from receive mode to simultaneous transmit and receive mode, after checking that the SCI has finished reception, clear RE to 0. Then after checking that the RDRF and receive error flags (ORER, FER, and PER) are cleared to 0, simultaneously set TE and RE to 1 with a single instruction.



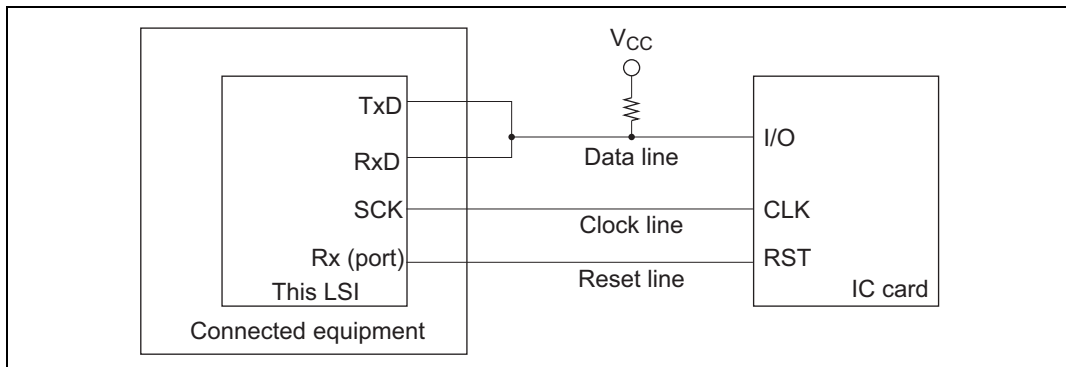
**Figure 15.20 Sample Flowchart of Simultaneous Serial Transmit and Receive Operations**

## 15.7 Operation in Smart Card Interface Mode

The SCI supports an IC card (Smart Card) interface conforming to ISO/IEC 7816-3 (Identification Card) as a serial communication interface extension function. Switching between the normal serial communication interface and the Smart Card interface is carried out by means of a register setting.

### 15.7.1 Pin Connection Example

Figure 15.21 shows an example of connection with the Smart Card. In communication with an IC card, since both transmission and reception are carried out on a single data transmission line, the TxD pin and RxD pin should be connected with the LSI pin. The data transmission line should be pulled up to the  $V_{CC}$  power supply with a resistor. If an IC card is not connected, and the TE and RE bits are both set to 1, closed transmission/reception is possible, enabling self-diagnosis to be carried out. When the clock generated on the SCI is used by an IC card, the SCK pin output is input to the CLK pin of the IC card. This LSI port output is used as the reset signal.

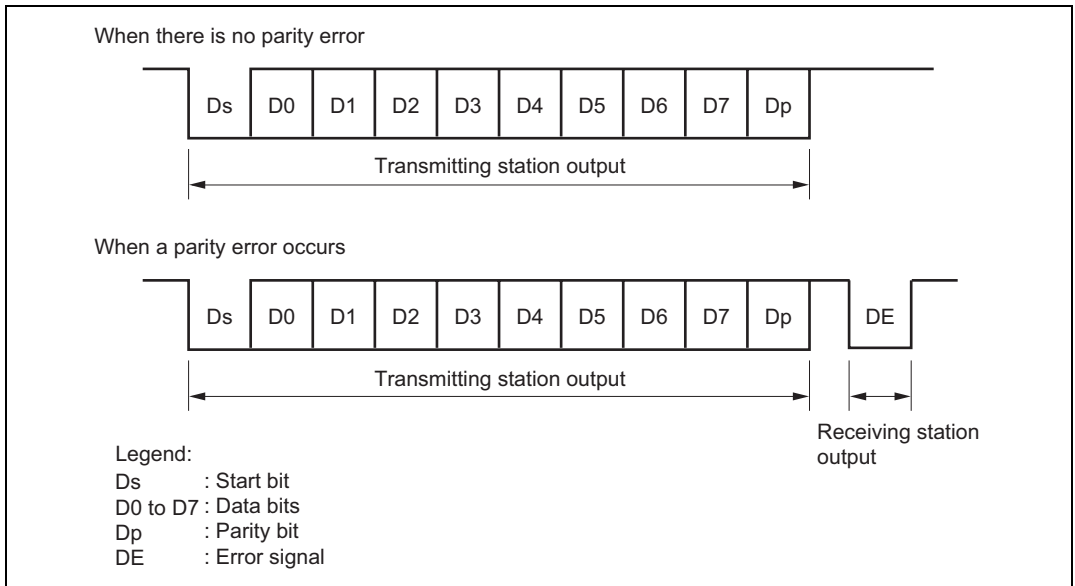


**Figure 15.21 Schematic Diagram of Smart Card Interface Pin Connections**

### 15.7.2 Data Format (Except for Block Transfer Mode)

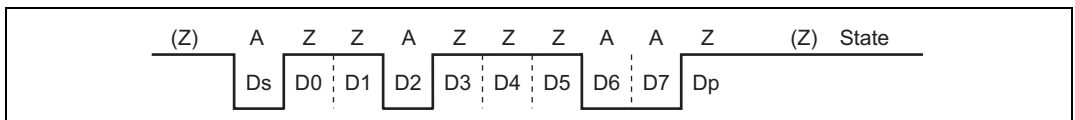
Figure 15.22 shows the transfer data format in Smart Card interface mode.

- One frame consists of 8-bit data plus a parity bit in asynchronous mode.
- In transmission, a guard time of at least 2 etu (Elementary time unit: time for transfer of 1 bit) is left between the end of the parity bit and the start of the next frame.
- If a parity error is detected during reception, a low error signal level is output for one etu period, 10.5 etu after the start bit.
- If an error signal is sampled during transmission, the same data is retransmitted automatically after the elapse of 2 etu or longer.



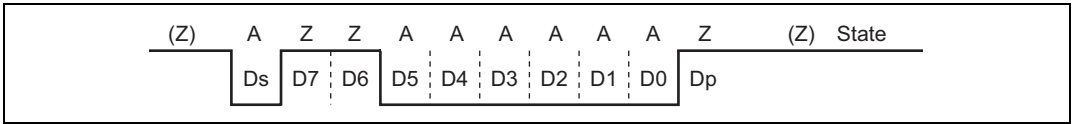
**Figure 15.22 Normal Smart Card Interface Data Format**

Data transfer with the types of IC cards (direct convention and inverse convention) are performed as described in the following.



**Figure 15.23 Direct Convention (SDIR = SINV =  $\overline{O/E}$  = 0)**

As in the above sample start character, with the direct convention type, the logic 1 level corresponds to state Z and the logic 0 level to state A, and transfer is performed in LSB-first order. The start character data above is H'3B. For the direct convention type, clear the SDIR and SINV bits in SCMR to 0. According to the Smart Card regulations, clear the  $O\bar{E}$  bit in SMR to 0 to select even parity mode.



**Figure 15.24 Inverse Convention (SDIR = SINV =  $O\bar{E}$  = 1)**

With the inverse convention type, the logic 1 level corresponds to state A and the logic 0 level to state Z, and transfer is performed in MSB-first order. The start character data above is H'3F. For the inverse convention type, set the SDIR and SINV bits in SCMR to 1. According to the Smart Card regulations, even parity mode is the logic 0 level of the parity bit, and corresponds to state Z. In this LSI, the SINV bit inverts only data bits D7 to D0. Therefore, set the  $O\bar{E}$  bit in SMR to 1 to invert the parity bit for both transmission and reception.

### 15.7.3 Block Transfer Mode

Operation in block transfer mode is the same as that in normal Smart Card interface, except for the following points.

- In reception, though the parity check is performed, no error signal is output even if an error is detected. However, the PER bit in SSR is set to 1 and must be cleared before receiving the parity bit of the next frame.
- In transmission, a guard time of at least 1 etu is left between the end of the parity bit and the start of the next frame.
- In transmission, because retransmission is not performed, the TEND flag is set to 1, 11.5 etu after transmission start.
- As with the normal Smart Card interface, the ERS flag indicates the error signal status, but since error signal transfer is not performed, this flag is always cleared to 0.

### 15.7.4 Receive Data Sampling Timing and Reception Margin

Only the internal clock generated by the on-chip baud rate generator is used as transmit/receive clock in Smart Card interface. In Smart Card interface mode, the SCI operates on a basic clock with a frequency of 32, 64, 372, or 256 times the bit rate (fixed at 16 times in normal asynchronous mode) as determined by bits BCP1 and BCP0. In reception, the SCI samples the

falling edge of the start bit using the basic clock, and performs internal synchronization. As shown in figure 15.25, by sampling receive data at the rising-edge of the 16th, 32nd, 186th, or 128th pulse of the basic clock, data can be latched at the middle of the bit. The reception margin is given by the following formula.

$$M = \left| \left( 0.5 - \frac{1}{2N} \right) - (L - 0.5) F - \frac{|D - 0.5|}{N} (1 + F) \right| \times 100 [\%]$$

Where M: Reception margin (%)

N: Ratio of bit rate to clock (N = 32, 64, 372, and 256)

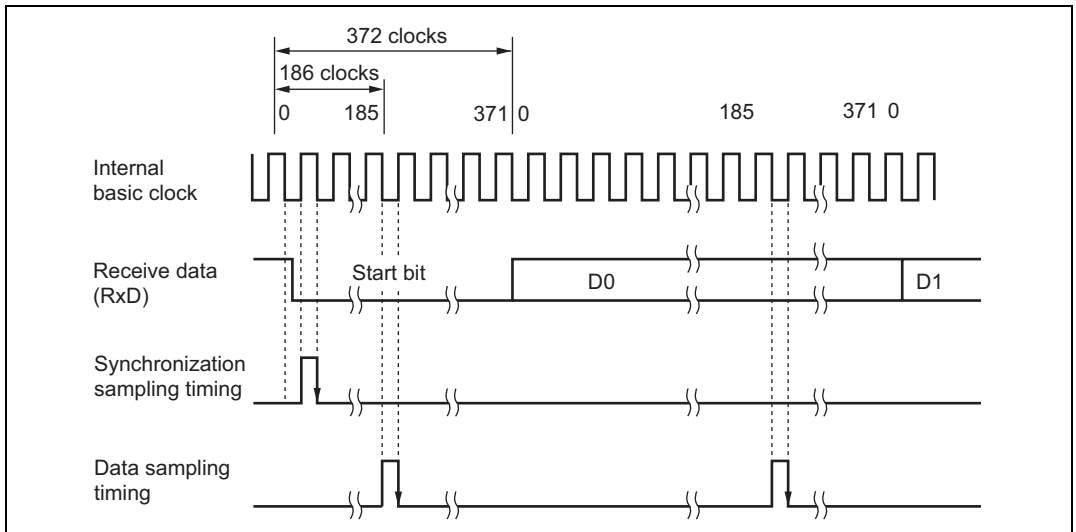
D: Clock duty cycle (D = 0 to 1.0)

L: Frame length (L = 10)

F: Absolute value of clock frequency deviation

Assuming values of F = 0, D = 0.5 and N = 372 in the above formula, the reception margin formula is as follows.

$$\begin{aligned} M &= \left( 0.5 - \frac{1}{2 \times 372} \right) \times 100\% \\ &= 49.866\% \end{aligned}$$



**Figure 15.25 Receive Data Sampling Timing in Smart Card Mode  
(Using Clock of 372 Times the Bit Rate)**

### 15.7.5 Initialization

Before transmitting and receiving data, initialize the SCI as described below. Initialization is also necessary when switching from transmit mode to receive mode, or vice versa.

1. Clear the TE and RE bits in SCR to 0.
2. Clear the error flags ERS, PER, and ORER in SSR to 0.
3. Set the GM, BLK,  $O/\bar{E}$ , BCP1, BCP0, CKS1, and CKS0 bits in SMR. Set the PE bit to 1.
4. Set the SMIF, SDIR, and SINV bits in SCMR.

When the SMIF bit is set to 1, the TxD and RxD pins are both switched from ports to SCI pins, and are placed in the high-impedance state.

5. Set the value corresponding to the bit rate in BRR.
6. Set the CKE0 and CKE1 bits in SCR. Clear the TIE, RIE, TE, RE, MPIE, and TEIE bits to 0.  
If the CKE0 bit is set to 1, the clock is output from the SCK pin.
7. Wait at least one bit interval, then set the TIE, RIE, TE, and RE bits in SCR. Do not set the TE bit and RE bit at the same time, except for self-diagnosis.

To switch from receive mode to transmit mode, after checking that the SCI has finished reception, initialize the SCI, and clear RE to 0 and set TE to 1. Whether SCI has finished reception can be checked with the RDRF, PER, or ORER flag. To switch from transmit mode to receive mode, after checking that the SCI has finished transmission, initialize the SCI, and clear TE to 0 and set RE to 1. Whether SCI has finished transmission can be checked with the TEND flag.



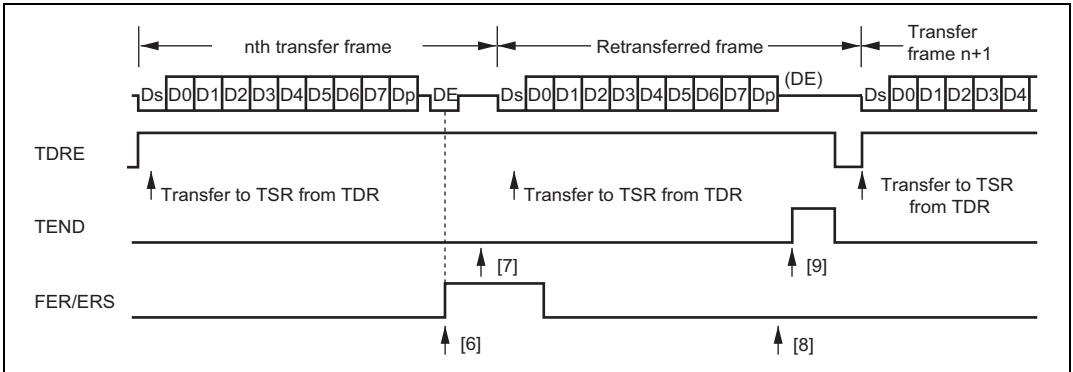
### 15.7.6 Data Transmission (Except for Block Transfer Mode)

As data transmission in Smart Card interface mode involves error signal sampling and retransmission processing, the operations are different from those in normal serial communication interface mode (except for block transfer mode). Figure 15.26 illustrates the retransfer operation when the SCI is in transmit mode.

1. If an error signal is sampled from the receiving end after transmission of one frame is completed, the ERS bit in SSR is set to 1. If the RIE bit in SCR is set at this time, an ERI interrupt request is generated. The ERS bit in SSR should be cleared to 0 before the next parity bit is sampled.
2. The TEND bit in SSR is not set for a frame for which an error signal is received. Data is retransferred from TDR to TSR, and retransmitted automatically.
3. If an error signal is not sent back from the receiving end, the ERS bit in SSR is not set.
4. Transmission of one frame, including a retransfer, is judged to have been completed, and the TEND bit in SSR is set to 1. If the TIE bit in SCR is set at this time, a TXI interrupt request is generated. Writing transmit data to TDR transfers the next transmit data.

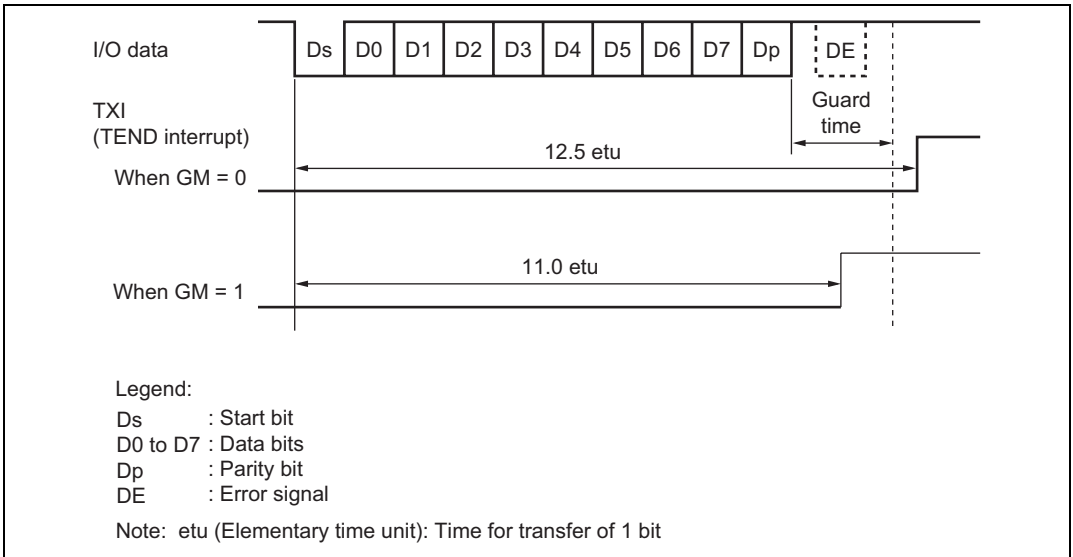
Figure 15.28 shows a flowchart for transmission. The sequence of transmit operations can be performed automatically by specifying the DTC or DMAC to be activated with a TXI interrupt source. In a transmit operation, the TDRE flag is also set to 1 at the same time as the TEND flag in SSR, and a TXI interrupt will be generated if the TIE bit in SCR has been set to 1. If the TXI request is designated beforehand as a DTC or DMAC activation source, the DTC or DMAC will be activated by the TXI request, and transfer of the transmit data will be carried out. The TDRE and TEND flags are automatically cleared to 0 when data transfer is performed by the DTC or DMAC. In the event of an error, the SCI retransmits the same data automatically. During this period, the TEND flag remains cleared to 0 and the DTC or DMAC is not activated. Therefore, the SCI and DTC or DMAC will automatically transmit the specified number of bytes in the event of an error, including retransmission. However, the ERS flag is not cleared automatically when an error occurs, and so the RIE bit should be set to 1 beforehand so that an ERI request will be generated in the event of an error, and the ERS flag will be cleared.

When performing transfer using the DTC or DMAC, it is essential to set and enable the DTC or DMAC before carrying out SCI setting. For details on the DTC or DMAC setting procedures, refer to section 9, Data Transfer Controller (DTC) or section 7, DMA Controller (DMAC).

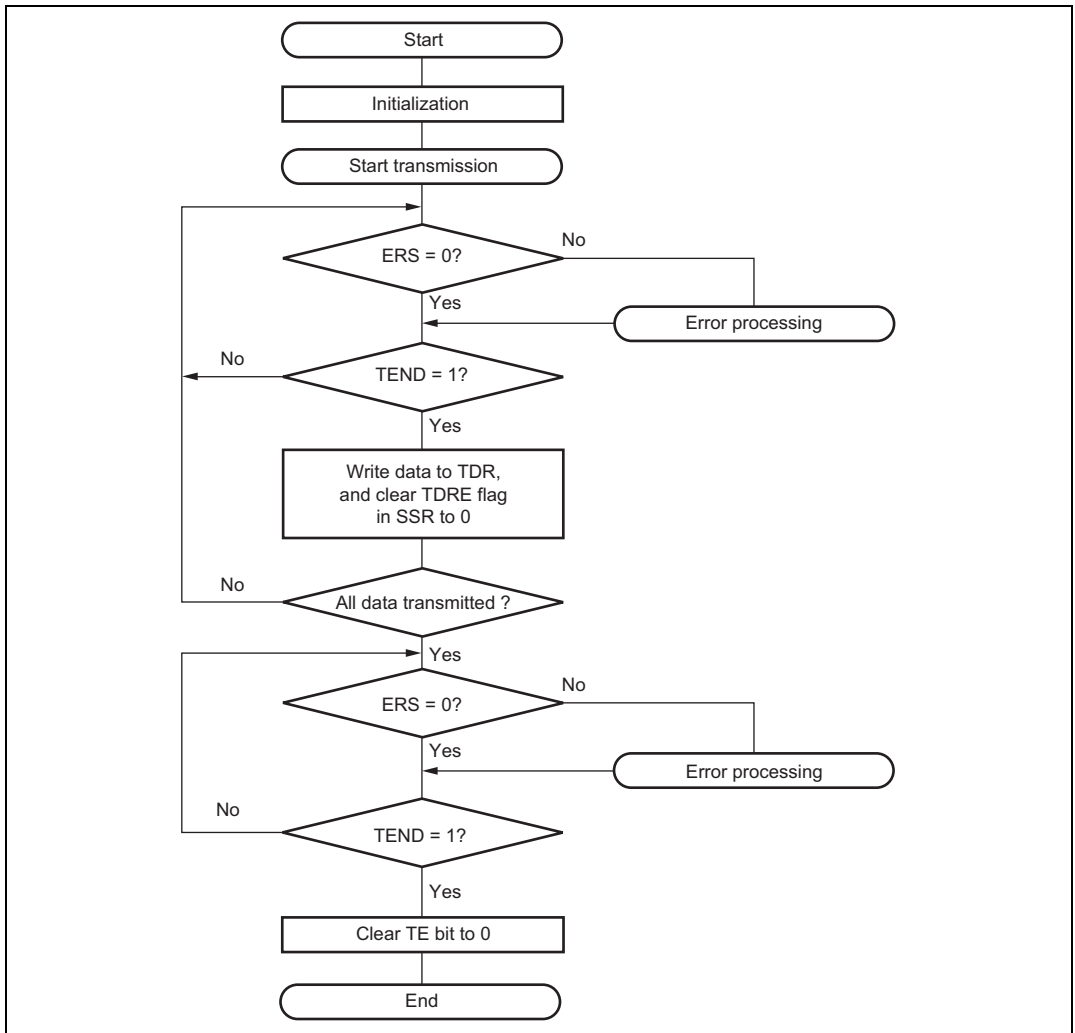


**Figure 15.26 Retransfer Operation in SCI Transmit Mode**

The timing for setting the TEND flag depends on the value of the GM bit in SMR. The TEND flag generation timing is shown in figure 15.27.



**Figure 15.27 TEND Flag Generation Timing in Transmission Operation**



**Figure 15.28 Example of Transmission Processing Flow**

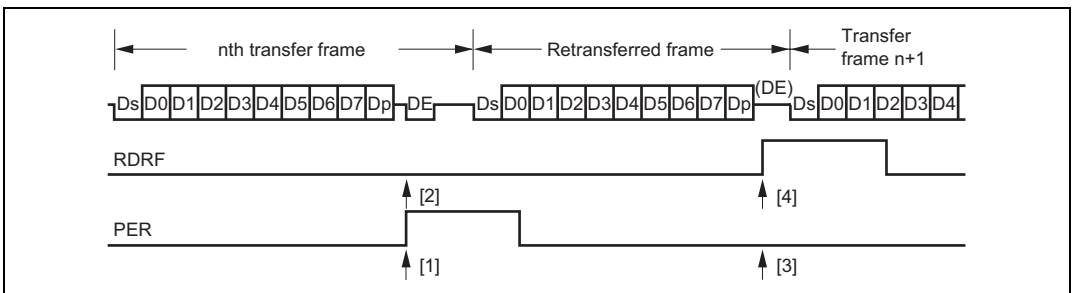
### 15.7.7 Serial Data Reception (Except for Block Transfer Mode)

Data reception in Smart Card interface mode uses the same operation procedure as for normal serial communication interface mode. Figure 15.29 illustrates the retransfer operation when the SCI is in receive mode.

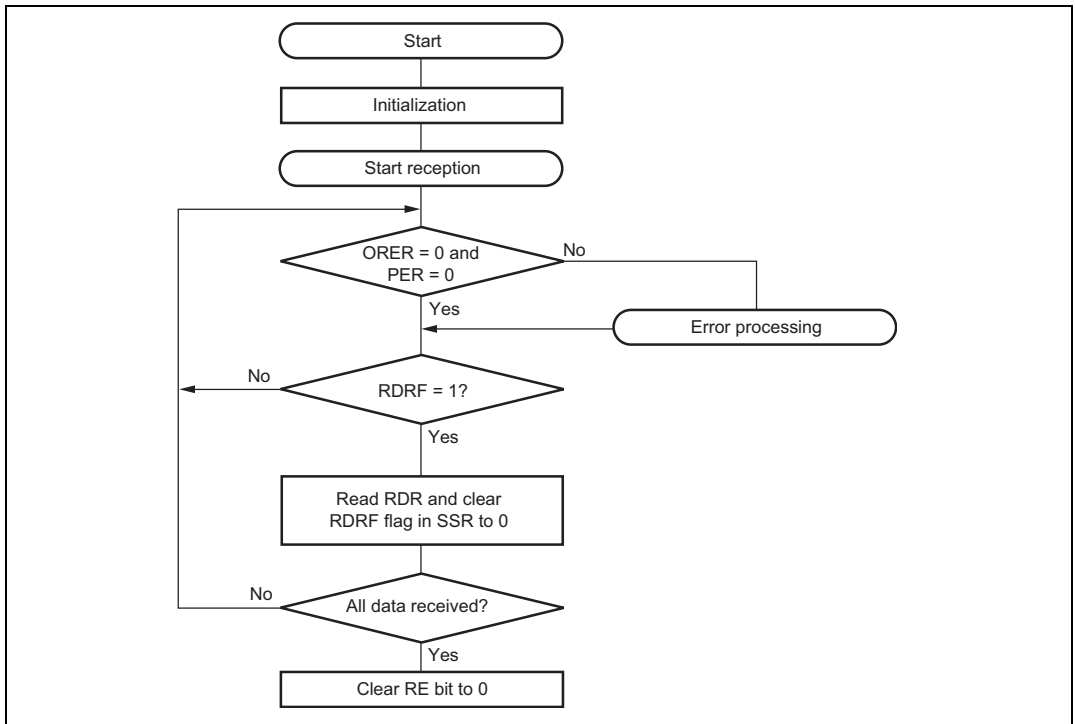
1. If an error is found when the received parity bit is checked, the PER bit in SSR is automatically set to 1. If the RIE bit in SCR is set at this time, an ERI interrupt request is generated. The PER bit in SSR should be cleared to 0 before the next parity bit is sampled.
2. The RDRF bit in SSR is not set for a frame in which an error has occurred.
3. If no error is found when the received parity bit is checked, the PER bit in SSR is not set to 1.
4. The receive operation is judged to have been completed normally, and the RDRF flag in SSR is automatically set to 1. If the RIE bit in SCR is set at this time, an RXI interrupt request is generated.

Figure 15.30 shows a flowchart for reception. The sequence of receive operations can be performed automatically by specifying the DTC or DMAC to be activated with an RXI interrupt source. In a receive operation, an RXI interrupt request is generated when the RDRF flag in SSR is set to 1. If the RXI request is designated beforehand as a DTC or DMAC activation source, the DTC or DMAC will be activated by the RXI request, and transfer of the receive data will be carried out. The RDRF flag is cleared to 0 automatically when data transfer is performed by the DTC or DMAC. If an error occurs in receive mode and the ORER or PER flag is set to 1, a transfer error interrupt (ERI) request will be generated, and so the error flag must be cleared to 0. In the event of an error, the DTC or DMAC is not activated and receive data is skipped. Therefore, receive data is transferred for only the specified number of bytes in the event of an error. Even when a parity error occurs in receive mode and the PER flag is set to 1, the data that has been received is transferred to RDR and can be read from there.

Note: For details on receive operations in block transfer mode, refer to section 15.4, Operation in Asynchronous Mode.



**Figure 15.29 Retransfer Operation in SCI Receive Mode**

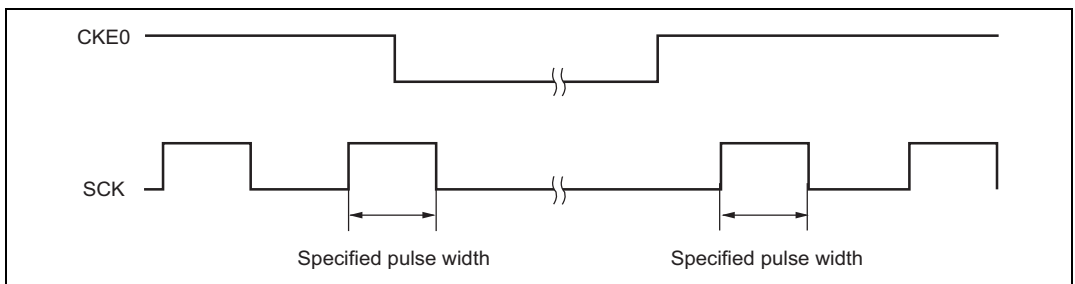


**Figure 15.30 Example of Reception Processing Flow**

### 15.7.8 Clock Output Control

When the GM bit in SMR is set to 1, the clock output level can be fixed with bits CKE1 and CKE0 in SCR. At this time, the minimum clock pulse width can be made the specified width.

Figure 15.31 shows the timing for fixing the clock output level. In this example, GM is set to 1, CKE1 is cleared to 0, and the CKE0 bit is controlled.



**Figure 15.31 Timing for Fixing Clock Output Level**

When turning on the power or switching between Smart Card interface mode and software standby mode, the following procedures should be followed in order to maintain the clock duty cycle.

**Powering On:** To secure the clock duty cycle from power-on, the following switching procedure should be followed.

1. The initial state is port input and high impedance. Use a pull-up resistor or pull-down resistor to fix the potential.
2. Fix the SCK pin to the specified output level with the CKE1 bit in SCR.
3. Set SMR and SCMR, and switch to smart card mode operation.
4. Set the CKE0 bit in SCR to 1 to start clock output.

#### When Changing from Smart Card Interface Mode to Software Standby Mode:

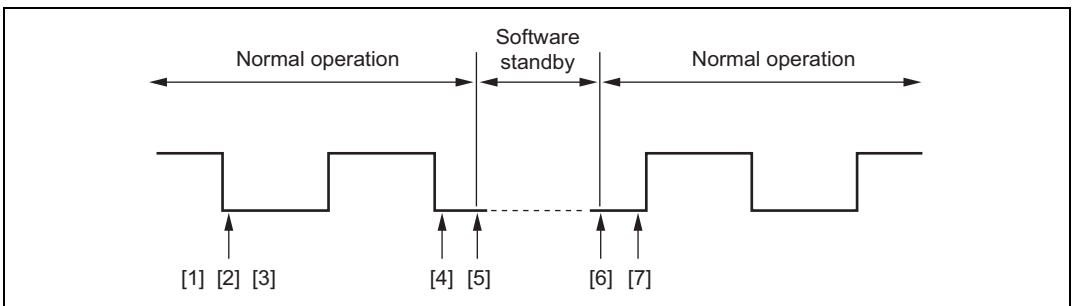
1. Set the data register (DR) and data direction register (DDR) corresponding to the SCK pin to the value for the fixed output state in software standby mode.
2. Write 0 to the TE bit and RE bit in the serial control register (SCR) to halt transmit/receive operation. At the same time, set the CKE1 bit to the value for the fixed output state in software standby mode.
3. Write 0 to the CKE0 bit in SCR to halt the clock.
4. Wait for one serial clock period.

During this interval, clock output is fixed at the specified level, with the duty cycle preserved.

5. Make the transition to the software standby state.

#### When Returning to Smart Card Interface Mode from Software Standby Mode:

1. Exit the software standby state.
2. Write 1 to the CKE0 bit in SCR and output the clock. Signal generation is started with the normal duty cycle.



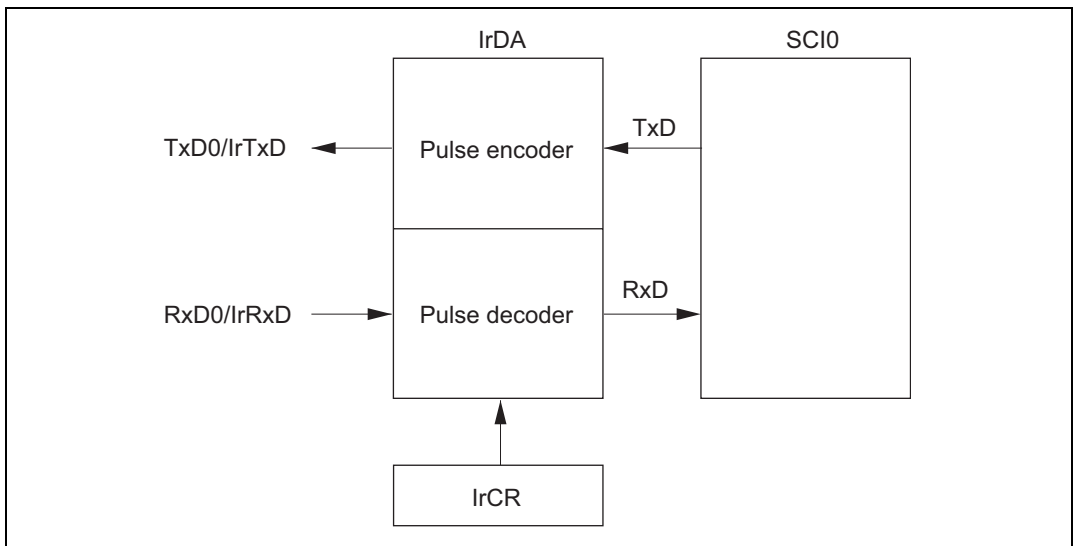
**Figure 15.32 Clock Halt and Restart Procedure**

## 15.8 IrDA Operation

When the IrDA function is enabled with bit IrE in IrCR, the SCI\_0 TxD0 and RxD0 signals are subjected to waveform encoding/decoding conforming to IrDA specification version 1.0 (IrTxD and IrRxD pins). By connecting these pins to an infrared transceiver/receiver, it is possible to implement infrared transmission/reception conforming to the IrDA specification version 1.0 system.

In the IrDA specification version 1.0 system, communication is started at a transfer rate of 9600 bps, and subsequently the transfer rate can be varied as necessary. As the IrDA interface in this LSI does not include a function for varying the transfer rate automatically, the transfer rate setting must be changed by software.

Figure 15.33 shows a block diagram of the IrDA function.



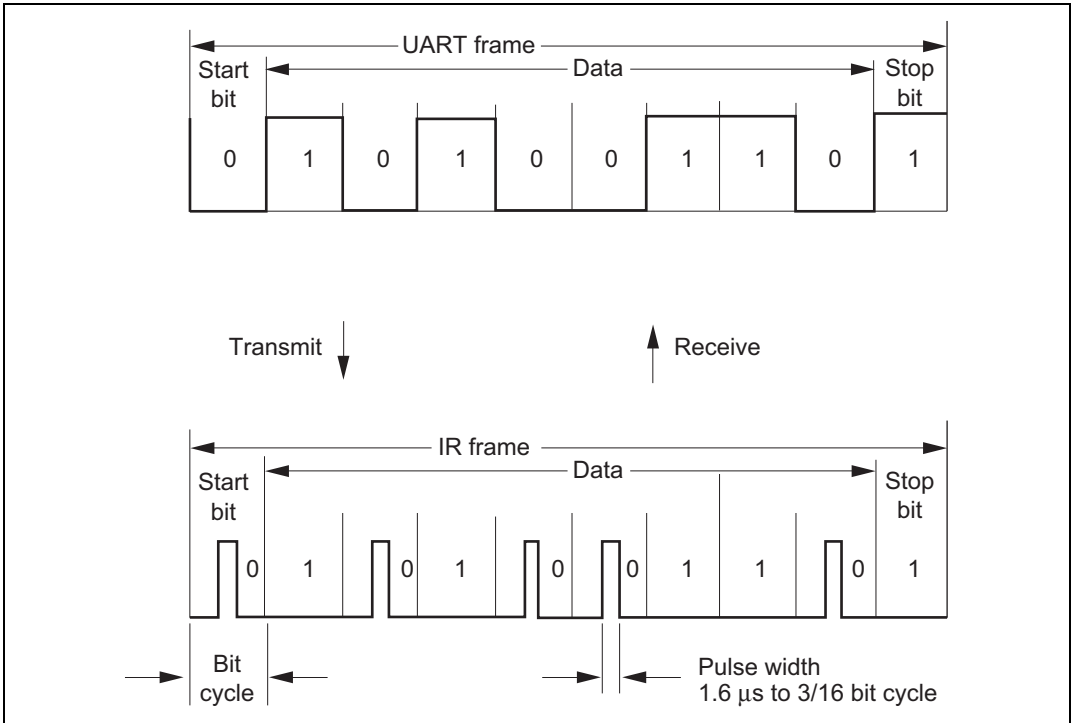
**Figure 15.33 Block Diagram of IrDA**

**Transmission:** In transmission, the output signal (UART frame) from the SCI is converted to an IR frame by the IrDA interface (see figure 15.34).

When the serial data is 0, a high pulse of 3/16 the bit rate (interval equivalent to the width of one bit) is output (initial value). The high-level pulse can be varied according to the setting of bits IrCKS2 to IrCKS0 in IrCR.

In the specification, the high pulse width is fixed at a minimum of 1.41  $\mu\text{s}$ , and a maximum of  $(3/16 + 2.5\%) \times \text{bit rate}$  or  $(3/16 \times \text{bit rate}) + 1.08 \mu\text{s}$ . When system clock  $\phi$  is 20 MHz, 1.6  $\mu\text{s}$  can be set for a high pulse width with a minimum value of 1.41  $\mu\text{s}$ .

When the serial data is 1, no pulse is output.



**Figure 15.34 IrDA Transmit/Receive Operations**

**Reception:** In reception, IR frame data is converted to a UART frame by the IrDA interface, and input to the SCI.

When a high pulse is detected, 0 data is output, and if there is no pulse during a one-bit interval, 1 data is output. Note that a pulse shorter than the minimum pulse width of 1.41  $\mu\text{s}$  will be identified as a 0 signal.

**High Pulse Width Selection:** Table 15.12 shows possible settings for bits IrCKS2 to IrCKS0 (minimum pulse width), and operating frequencies of this LSI and bit rates, for making the pulse width shorter than 3/16 times the bit rate in transmission.



Table 15.12 Settings of Bits IrCKS2 to IrCKS0

| Operating<br>Frequency<br>$\phi$ (MHz) | Bit Rate (bps) (Above)/Bit Period $\times$ 3/16 ( $\mu$ s) (Below) |       |       |       |       |        |
|--|--|-------|-------|-------|-------|--------|
|  | 2400   | 9600  | 19200 | 38400 | 57600 | 115200 |
|  | 78.13  | 19.53 | 9.77  | 4.88  | 3.26  | 1.63   |
| 8                                      | 100  | 100   | 100   | 100   | 100   | 100    |
| 9.8304                                 | 100  | 100   | 100   | 100   | 100   | 100    |
| 10                                     | 100  | 100   | 100   | 100   | 100   | 100    |
| 12                                     | 101  | 101   | 101   | 101   | 101   | 101    |
| 12.288                                 | 101  | 101   | 101   | 101   | 101   | 101    |
| 14                                     | 101  | 101   | 101   | 101   | 101   | 101    |
| 14.7456                                | 101  | 101   | 101   | 101   | 101   | 101    |
| 16                                     | 101  | 101   | 101   | 101   | 101   | 101    |
| 16.9344                                | 101  | 101   | 101   | 101   | 101   | 101    |
| 17.2032                                | 101  | 101   | 101   | 101   | 101   | 101    |
| 18                                     | 101  | 101   | 101   | 101   | 101   | 101    |
| 19.6608                                | 101  | 101   | 101   | 101   | 101   | 101    |
| 20                                     | 101  | 101   | 101   | 101   | 101   | 101    |
| 25                                     | 110  | 110   | 110   | 110   | 110   | —      |
| 30                                     | 110  | 110   | 110   | 110   | 110   | —      |
| 33                                     | 110  | 110   | 110   | 110   | 110   | —      |
| 34* <sup>1</sup>                       | 110  | 110   | 110   | 110   | 110   | —      |
| 35* <sup>2</sup>                       | 110  | 110   | 110   | 110   | 110   | —      |

Legend:

—: A bit rate setting cannot be made on the SCI side.

Notes: 1. Supported on the H8S/2378 0.18 $\mu$ m F-ZTAT Group and H8S/2378R 0.18 $\mu$ m F-ZTAT Group only.

2. Supported on the H8S/2378 only.

## 15.9 Interrupt Sources

### 15.9.1 Interrupts in Normal Serial Communication Interface Mode

Table 15.13 shows the interrupt sources in normal serial communication interface mode. A different interrupt vector is assigned to each interrupt source, and individual interrupt sources can be enabled or disabled using the enable bits in SCR.

When the TDRE flag in SSR is set to 1, a TXI interrupt request is generated. When the TEND flag in SSR is set to 1, a TEI interrupt request is generated. A TXI interrupt can activate the DTC or DMAC to perform data transfer. The TDRE flag is cleared to 0 automatically when data transfer is performed by the DTC or DMAC.

When the RDRF flag in SSR is set to 1, an RXI interrupt request is generated. When the ORER, PER, or FER flag in SSR is set to 1, an ERI interrupt request is generated. An RXI interrupt request can activate the DTC or DMAC to perform data transfer. The RDRF flag is cleared to 0 automatically when data transfer is performed by the DTC or DMAC.

A TEI interrupt is generated when the TEND flag is set to 1 while the TEIE bit is set to 1. If a TEI interrupt and a TXI interrupt are generated simultaneously, the TXI interrupt has priority for acceptance. However, note that if the TDRE and TEND flags are cleared simultaneously by the TXI interrupt routine, the SCI cannot branch to the TEI interrupt routine later.

Table 15.13 SCI Interrupt Sources

| Channel | Name | Interrupt Source    | Interrupt Flag | DTC<br>Activation | DMAC<br>Activation | Priority  |
|---------|------|---------------------|----------------|-------------------|--------------------|-----------|
| 0       | ERI0 | Receive Error       | ORER, FER, PER | Not possible      | Not possible       | High<br>↑ |
|         | RX10 | Receive Data Full   | RDRF           | Possible          | Possible           |           |
|         | TX10 | Transmit Data Empty | TDRE           | Possible          | Possible           |           |
|         | TE10 | Transmission End    | TEND           | Not possible      | Not possible       |           |
| 1       | ERI1 | Receive Error       | ORER, FER, PER | Not possible      | Not possible       |           |
|         | RX11 | Receive Data Full   | RDRF           | Possible          | Possible           |           |
|         | TX11 | Transmit Data Empty | TDRE           | Possible          | Possible           |           |
|         | TE11 | Transmission End    | TEND           | Not possible      | Not possible       |           |
| 2       | ERI2 | Receive Error       | ORER, FER, PER | Not possible      | Not possible       |           |
|         | RX12 | Receive Data Full   | RDRF           | Possible          | Not possible       |           |
|         | TX12 | Transmit Data Empty | TDRE           | Possible          | Not possible       |           |
|         | TE12 | Transmission End    | TEND           | Not possible      | Not possible       |           |
| 3       | ERI3 | Receive Error       | ORER, FER, PER | Not possible      | Not possible       |           |
|         | RX13 | Receive Data Full   | RDRF           | Possible          | Not possible       |           |
|         | TX13 | Transmit Data Empty | TDRE           | Possible          | Not possible       |           |
|         | TE13 | Transmission End    | TEND           | Not possible      | Not possible       |           |
| 4       | ERI4 | Receive Error       | ORER, FER, PER | Not possible      | Not possible       | Low       |
|         | RX14 | Receive Data Full   | RDRF           | Possible          | Not possible       |           |
|         | TX14 | Transmit Data Empty | TDRE           | Possible          | Not possible       |           |
|         | TE14 | Transmission End    | TEND           | Not possible      | Not possible       |           |

## 15.9.2 Interrupts in Smart Card Interface Mode

Table 15.14 shows the interrupt sources in Smart Card interface mode. The transmit end interrupt (TEI) request cannot be used in this mode.

**Table 15.14 Interrupt Sources**

| Channel | Name | Interrupt Source         | Interrupt Flag | DTC<br>Activation | DMAC<br>Activation | Priority |
|---------|------|--------------------------|----------------|-------------------|--------------------|----------|
| 0       | ERI0 | Receive Error, detection | ORER, PER, ERS | Not possible      | Not possible       | High     |
|         | RXI0 | Receive Data Full        | RDRF           | Possible          | Possible           |          |
|         | TXI0 | Transmit Data Empty      | TEND           | Possible          | Possible           |          |
| 1       | ERI1 | Receive Error, detection | ORER, PER, ERS | Not possible      | Not possible       | ↑        |
|         | RXI1 | Receive Data Full        | RDRF           | Possible          | Possible           |          |
|         | TXI1 | Transmit Data Empty      | TEND           | Possible          | Possible           |          |
| 2       | ERI2 | Receive Error, detection | ORER, PER, ERS | Not possible      | Not possible       | ↑        |
|         | RXI2 | Receive Data Full        | RDRF           | Possible          | Not possible       |          |
|         | TXI2 | Transmit Data Empty      | TEND           | Possible          | Not possible       |          |
| 3       | ERI3 | Receive Error, detection | ORER, PER, ERS | Not possible      | Not possible       | ↑        |
|         | RXI3 | Receive Data Full        | RDRF           | Possible          | Not possible       |          |
|         | TXI3 | Transmit Data Empty      | TEND           | Possible          | Not possible       |          |
| 4       | ERI4 | Receive Error, detection | ORER, PER, ERS | Not possible      | Not possible       | ↑        |
|         | RXI4 | Receive Data Full        | RDRF           | Possible          | Not possible       |          |
|         | TXI4 | Transmit Data Empty      | TEND           | Possible          | Not possible       |          |

In Smart Card interface mode, as in normal serial communication interface mode, transfer can be carried out using the DTC or DMAC. In transmit operations, the TDRE flag is also set to 1 at the same time as the TEND flag in SSR, and a TXI interrupt is generated. If the TXI request is designated beforehand as a DTC or DMAC activation source, the DTC or DMAC will be activated by the TXI request, and transfer of the transmit data will be carried out. The TDRE and TEND flags are automatically cleared to 0 when data transfer is performed by the DTC or DMAC. In the event of an error, the SCI retransmits the same data automatically. During this period, the TEND flag remains cleared to 0 and the DTC or DMAC is not activated. Therefore, the SCI and DTC or DMAC will automatically transmit the specified number of bytes in the event of an error, including retransmission. However, the ERS flag is not cleared automatically when an error occurs, and so the RIE bit should be set to 1 beforehand so that an ERI request will be generated in the event of an error, and the ERS flag will be cleared.

When performing transfer using the DTC or DMAC, it is essential to set and enable the DTC or DMAC before carrying out SCI setting. For details on the DTC or DMAC setting procedures, refer to section 9, Data Transfer Controller (DTC) or section 7, DMA Controller (DMAC).

In receive operations, an RXI interrupt request is generated when the RDRF flag in SSR is set to 1. If the RXI request is designated beforehand as a DTC or DMAC activation source, the DTC or DMAC will be activated by the RXI request, and transfer of the receive data will be carried out. The RDRF flag is cleared to 0 automatically when data transfer is performed by the DTC or DMAC. If an error occurs, an error flag is set but the RDRF flag is not. Consequently, the DTC or DMAC is not activated, but instead, an ERI interrupt request is sent to the CPU. Therefore, the error flag should be cleared.

## 15.10 Usage Notes

### 15.10.1 Module Stop Mode Setting

SCI operation can be disabled or enabled using the module stop control register. The initial setting is for SCI operation to be halted. Register access is enabled by clearing module stop mode. For details, refer to section 24, Power-Down Modes.

### 15.10.2 Break Detection and Processing

When framing error detection is performed, a break can be detected by reading the RxD pin value directly. In a break, the input from the RxD pin becomes all 0s, and so the FER flag is set, and the PER flag may also be set. Note that, since the SCI continues the receive operation after receiving a break, even if the FER flag is cleared to 0, it will be set to 1 again.

### 15.10.3 Mark State and Break Sending

When TE is 0, the TxD pin is used as an I/O port whose direction (input or output) and level are determined by DR and DDR. This can be used to set the TxD pin to mark state or send a break during serial data transmission. To maintain the communication line at mark state until TE is set to 1, set both DDR and DR to 1. Since TE is cleared to 0 at this point, the TxD pin becomes an I/O port, and 1 is output from the TxD pin. To send a break during serial transmission, first set DDR to 1 and clear DR to 0, and then clear TE to 0. When TE is cleared to 0, the transmitter is initialized regardless of the current transmission state, the TxD pin becomes an I/O port, and 0 is output from the TxD pin.

### 15.10.4 Receive Error Flags and Transmit Operations (Clocked Synchronous Mode Only)

Transmission cannot be started when a receive error flag (ORER, PER, or FER) is set to 1, even if the TDRE flag is cleared to 0. Be sure to clear the receive error flags to 0 before starting transmission. Note also that receive error flags cannot be cleared to 0 even if the RE bit is cleared to 0.

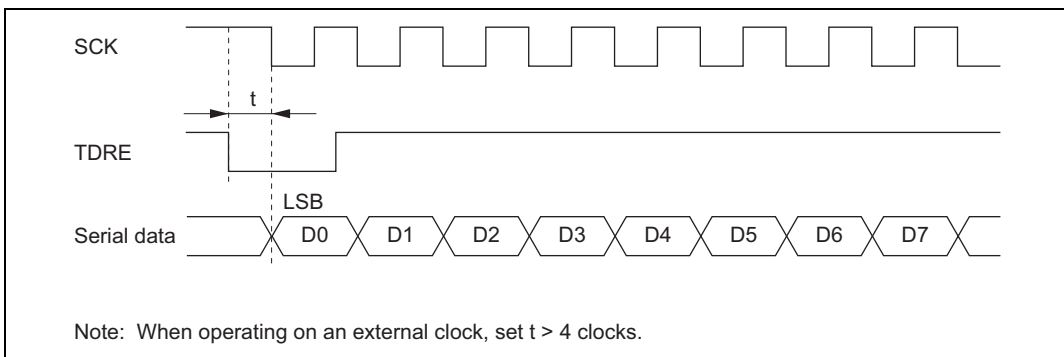
### 15.10.5 Relation between Writes to TDR and the TDRE Flag

The TDRE flag in SSR is a status flag that indicates that transmit data has been transferred from TDR to TSR. When the SCI transfers data from TDR to TSR, the TDRE flag is set to 1.

Data can be written to TDR regardless of the state of the TDRE flag. However, if new data is written to TDR when the TDRE flag is cleared to 0, the data stored in TDR will be lost since it has not yet been transferred to TSR. It is therefore essential to check that the TDRE flag is set to 1 before writing transmit data to TDR.

### 15.10.6 Restrictions on Use of DMAC or DTC

- When an external clock source is used as the serial clock, the transmit clock should not be input until at least 5  $\phi$  clock cycles after TDR is updated by the DMAC or DTC. Misoperation may occur if the transmit clock is input within 4  $\phi$  clocks after TDR is updated. (Figure 15.35)
- When RDR is read by the DMAC or DTC, be sure to set the activation source to the relevant SCI receive-data-full interrupt (RXI).



**Figure 15.35 Example of Synchronous Transmission Using DTC**

### 15.10.7 Operation in Case of Mode Transition

- Transmission

Operation should be stopped (by clearing TE, TIE, and TEIE to 0) before making a module stop mode or software standby mode transition. TSR, TDR, and SSR are reset. The output pin states in module stop mode or software standby mode depend on the port settings, and become high-level output after the relevant mode is cleared. If a transition is made during transmission, the data being transmitted will be undefined.

When transmitting without changing the transmit mode after the relevant mode is cleared, transmission can be started by setting TE to 1 again, and performing the following sequence: SSR read → TDR write → TDRE clearance. To transmit with a different transmit mode after clearing the relevant mode, the procedure must be started again from initialization.

Figure 15.36 shows a sample flowchart for mode transition during transmission. Port pin states during mode transition are shown in figures 15.37 and 15.38.

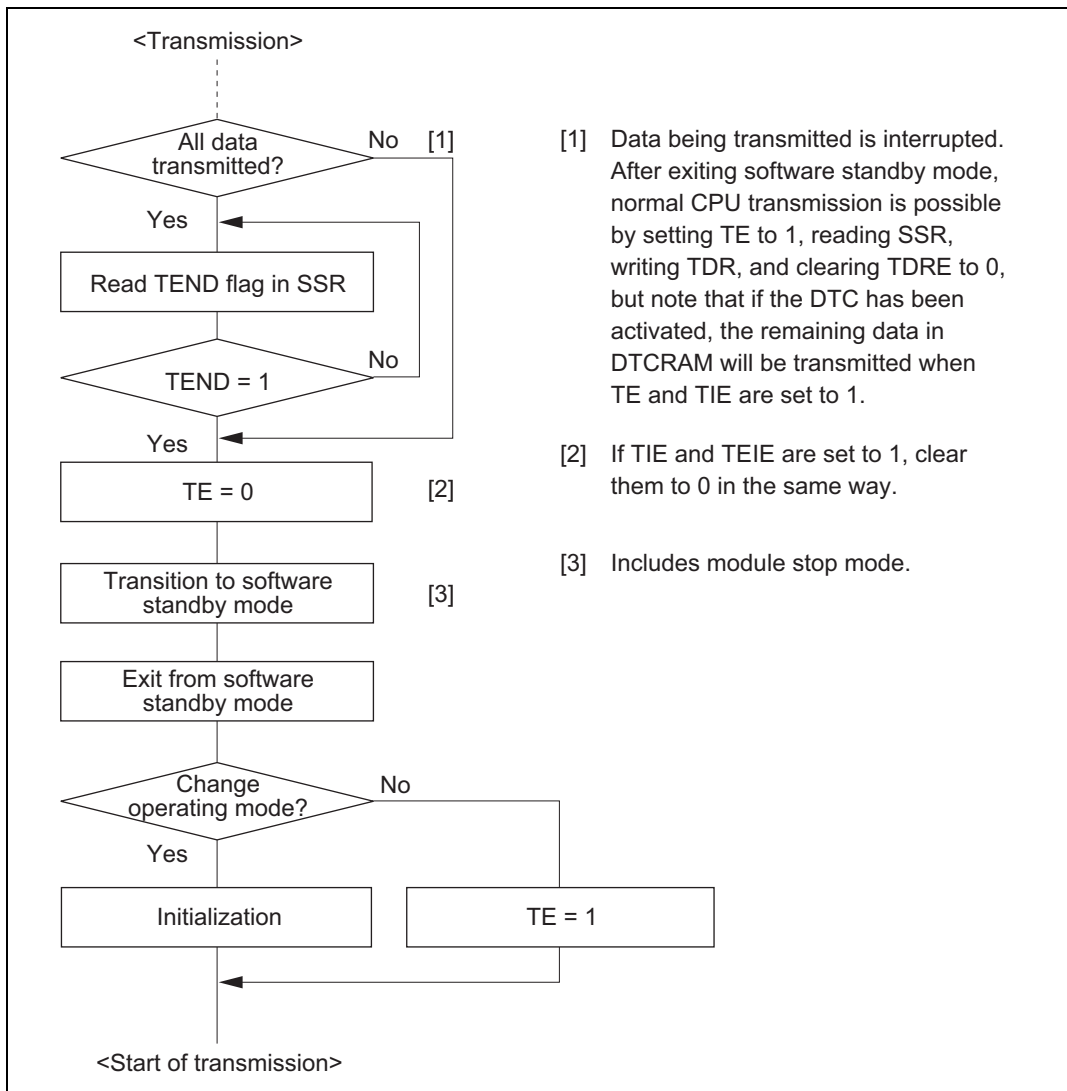
Operation should also be stopped (by clearing TE, TIE, and TEIE to 0) before making a transition from transmission by DTC transfer to module stop mode or software standby mode transition. To perform transmission with the DTC after the relevant mode is cleared, setting TE and TIE to 1 will set the TXI flag and start DTC transmission.

- Reception

Receive operation should be stopped (by clearing RE to 0) before making a module stop mode or software standby mode transition. RSR, RDR, and SSR are reset. If a transition is made during reception, the data being received will be invalid.

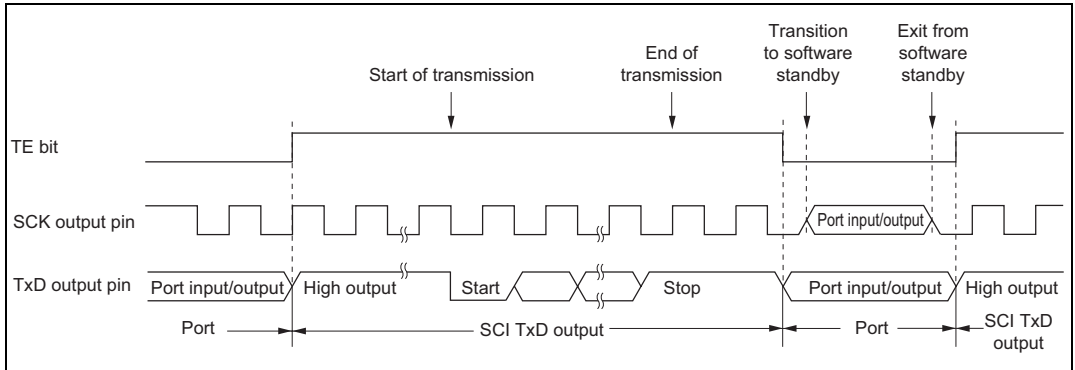
To continue receiving without changing the reception mode after the relevant mode is cleared, set RE to 1 before starting reception. To receive with a different receive mode, the procedure must be started again from initialization.

Figure 15.39 shows a sample flowchart for mode transition during reception.

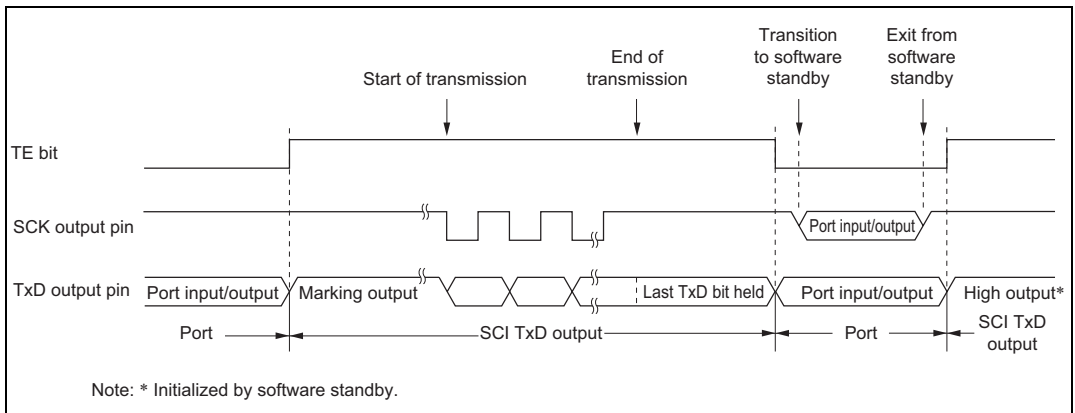


**Figure 15.36 Sample Flowchart for Mode Transition during Transmission**

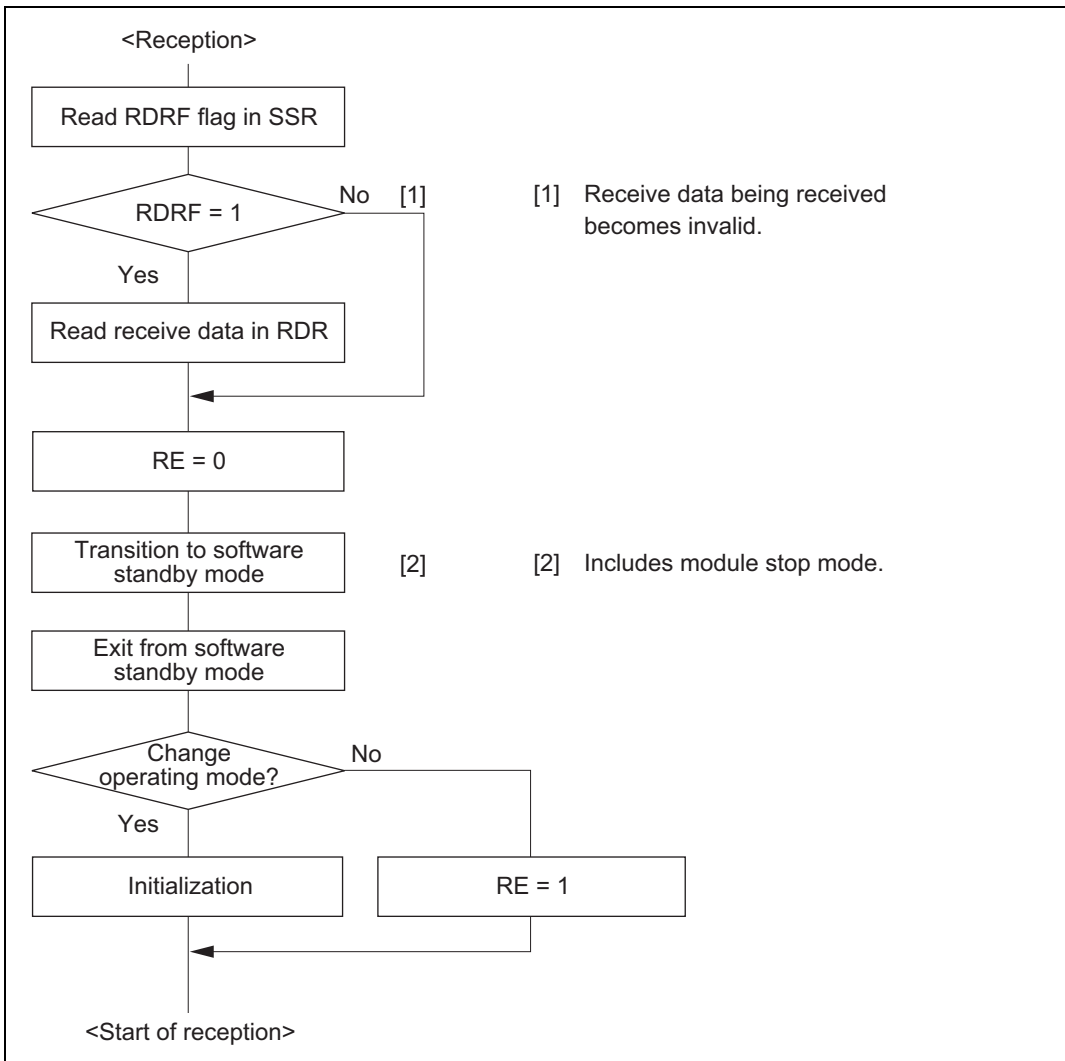




**Figure 15.37 Port Pin States during Mode Transition  
(Internal Clock, Asynchronous Transmission)**



**Figure 15.38 Port Pin States during Mode Transition  
(Internal Clock, Synchronous Transmission)**



**Figure 15.39 Sample Flowchart for Mode Transition during Reception**

## Section 16 I<sup>2</sup>C Bus Interface 2 (IIC2) (Option)

An I<sup>2</sup>C bus interface is an option. When using the optional functions, take notice of the following item:

1. For the masked ROM version, W is added to the model name of the product that uses optional functions.

For example: HD6432375WFQ

This LSI has a two-channel I<sup>2</sup>C bus interface.

The I<sup>2</sup>C bus interface conforms to and provides a subset of the NXP Semiconductors I<sup>2</sup>C bus (inter-IC bus) interface (Rev. 03) standard and fast mode functions. The register configuration that controls the I<sup>2</sup>C bus differs partly from the NXP Semiconductors configuration, however.

Figure 16.1 shows a block diagram of the I<sup>2</sup>C bus interface 2.

Figure 16.2 shows an example of I/O pin connections to external circuits.

### 16.1 Features

- Continuous transmission/reception

Since the shift register, transmit data register, and receive data register are independent from each other, the continuous transmission/reception can be performed.

- Start and stop conditions generated automatically in master mode
- Selection of acknowledge output levels when receiving
- Automatic loading of acknowledge bit when transmitting
- Bit synchronization/wait function

In master mode, the state of SCL is monitored per bit, and the timing is synchronized automatically

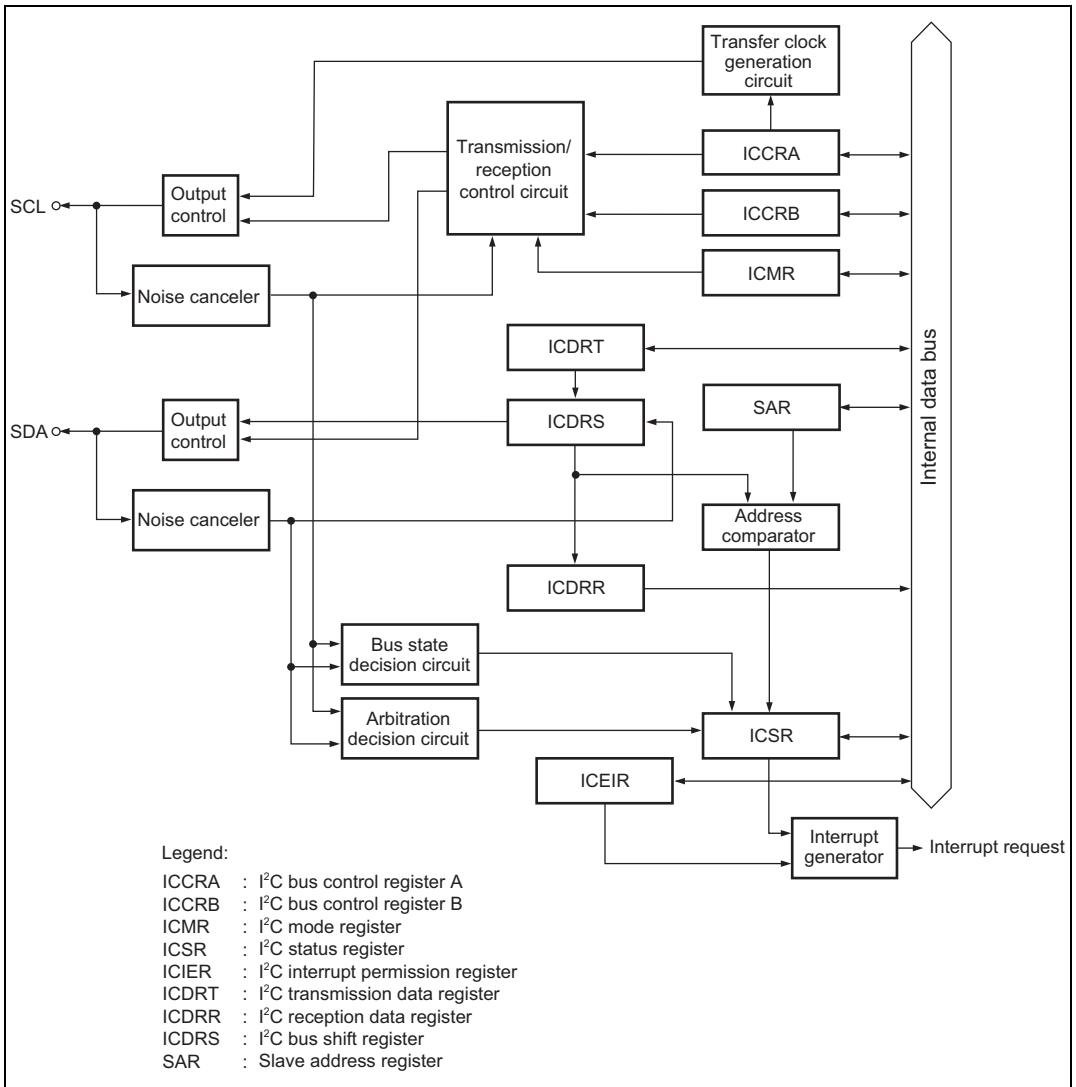
If transmission/reception is not yet possible, set the SCL to low until preparations are completed.

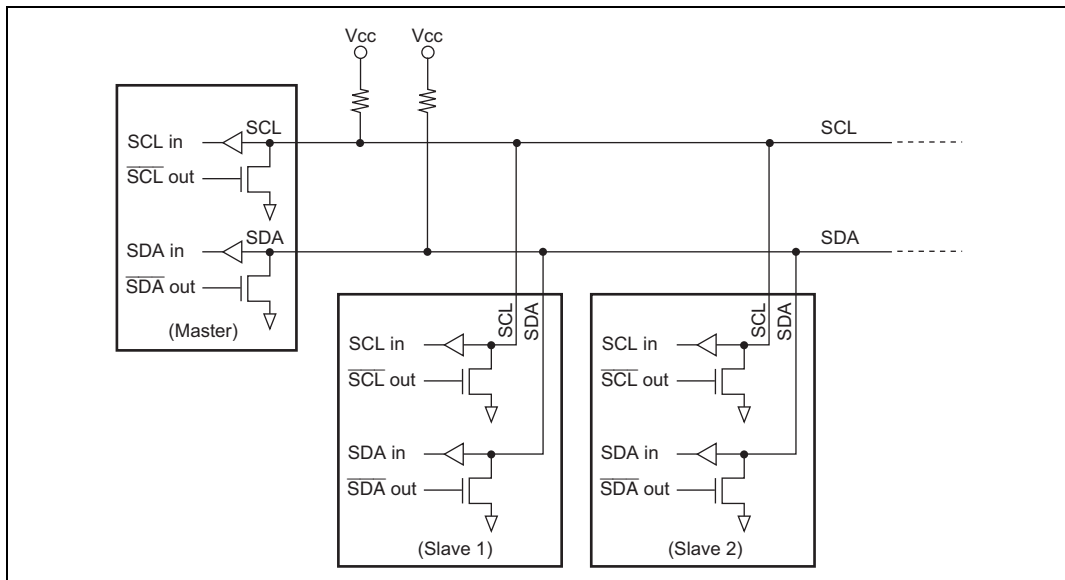
- Six interrupt sources

Transmit-data-empty (including slave-address match), transmit-end, receive-data-full (including slave-address match), arbitration lost, NACK detection, and stop condition detection

- Direct bus drive

Two pins, SCL and SDA pins function as NMOS open-drain outputs.

Figure 16.1 Block Diagram of I<sup>2</sup>C Bus Interface 2



**Figure 16.2 External Circuit Connections of I/O Pins**

## 16.2 Input/Output Pins

Table 16.1 shows the pin configuration of the I<sup>2</sup>C bus interface 2.

**Table 16.1 Pin Configuration**

| Name         | Abbreviation | I/O | Function                         |
|--------------|--------------|-----|----------------------------------|
| Serial clock | SCL0         | I/O | IIC2_0 serial clock input/output |
| Serial data  | SDA0         | I/O | IIC2_0 serial data input/output  |
| Serial clock | SCL1         | I/O | IIC2_1 serial clock input/output |
| Serial data  | SDA1         | I/O | IIC2_1 serial data input/output  |

Note: The pin symbols are represented as SCL and SDA; channel numbers are omitted in this manual.

## 16.3 Register Descriptions

The I<sup>2</sup>C bus interface has the following registers.

- I<sup>2</sup>C bus control register A\_0 (ICCRA\_0)
- I<sup>2</sup>C bus control register B\_0 (ICCRB\_0)
- I<sup>2</sup>C bus mode register\_0 (ICMR\_0)
- I<sup>2</sup>C bus interrupt enable register\_0 (ICIER\_0)
- I<sup>2</sup>C bus status register\_0 (ICSR\_0)
- I<sup>2</sup>C bus slave address register\_0 (SAR\_0)
- I<sup>2</sup>C bus transmit data register\_0 (ICDRT\_0)
- I<sup>2</sup>C bus receive data register\_0 (ICDRR\_0)
- I<sup>2</sup>C bus shift register\_0 (ICDRS\_0)
- I<sup>2</sup>C bus control register A\_1 (ICCRA\_1)
- I<sup>2</sup>C bus control register B\_1 (ICCRB\_1)
- I<sup>2</sup>C bus mode register\_1 (ICMR\_1)
- I<sup>2</sup>C bus interrupt enable register\_1 (ICIER\_1)
- I<sup>2</sup>C bus status register\_1 (ICSR\_1)
- I<sup>2</sup>C bus slave address register\_1 (SAR\_1)
- I<sup>2</sup>C bus transmit data register\_1 (ICDRT\_1)
- I<sup>2</sup>C bus receive data register\_1 (ICDRR\_1)
- I<sup>2</sup>C bus shift register\_1 (ICDRS\_1)

### 16.3.1 I<sup>2</sup>C Bus Control Register A (ICCRA)

ICCRA is an 8-bit readable/writable register that enables or disables the I<sup>2</sup>C bus interface, controls transmission or reception, and selects master or slave mode, transmission or reception, and transfer clock frequency in master mode.

| Bit | Bit Name | Initial Value | R/W | Description  |
|-----|----------|---------------|-----|--|
| 7   | ICE      | 0             | R/W | I <sup>2</sup> C Bus Interface Enable<br>0: This module is halted.<br>1: This bit is enabled for transfer operations. (SCL and SDA pins are bus drive state.)  |
| 6   | RCVD     | 0             | R/W | Reception Disable<br>This bit enables or disables the next operation when TRS is 0 and ICDRR is read.<br>0: Enables next reception<br>1: Disables next reception   |
| 5   | MST      | 0             | R/W | Master/Slave Select  |
| 4   | TRS      | 0             | R/W | Transmit/Receive Select<br>When arbitration is lost in master mode, MST and TRS are both reset by hardware, causing a transition to slave receive mode. Modification of the TRS bit should be made between transfer frames. In addition, TRS is set to 1 automatically in slave receive mode if the seventh bit of the start condition matches the slave address set in SAR and the eighth bit is set to 1.<br>Operating modes are described below according to MST and TRS combination.<br>00: Slave receive mode<br>01: Slave transmit mode<br>10: Master receive mode<br>11: Master transmit mode |
| 3   | CKS3     | 0             | R/W | Transfer clock select 3 to 0   |
| 2   | CKS2     | 0             | R/W | In the master mode, these bits should be set according to the necessary transfer rate (see table 16.2). In the slave mode, they are used to secure the data setup time in transmit mode. The data setup time is 10 t <sub>cyc</sub> if CKS3 is cleared to 0 and 20 t <sub>cyc</sub> if CKS3 is set to 1.   |
| 1   | CKS1     | 0             | R/W |  |
| 0   | CKS0     | 0             | R/W |  |

Table 16.2 Transfer Rate

| Bit 3           | Bit 2           | Bit 1 | Bit 0 | Transfer Rate |                   |                    |                       |                       |                        |                                  |                                  |
|-----------------|-----------------|-------|-------|---------------|-------------------|--------------------|-----------------------|-----------------------|------------------------|----------------------------------|----------------------------------|
| CKS3            | CKS2            | CKS1  | CKS0  | Clock         | $\phi =$<br>8 MHz | $\phi =$<br>10 MHz | $\phi =$<br>20 MHz    | $\phi =$<br>25 MHz    | $\phi =$<br>33 MHz     | $\phi =$<br>34 MHz <sup>*1</sup> | $\phi =$<br>35 MHz <sup>*2</sup> |
| 0 <sup>*4</sup> | 0 <sup>*4</sup> | 0     | 0     | $\phi/28$     | 286 kHz           | 357 kHz            | 714 kHz <sup>*3</sup> | 893 kHz <sup>*3</sup> | 1179 kHz <sup>*3</sup> | 1214 kHz <sup>*3</sup>           | 1250 kHz <sup>*3</sup>           |
|                 |                 |       | 1     | $\phi/40$     | 200 kHz           | 250 kHz            | 500 kHz <sup>*3</sup> | 625 kHz <sup>*3</sup> | 825 kHz <sup>*3</sup>  | 850 kHz <sup>*3</sup>            | 875 kHz <sup>*3</sup>            |
|                 |                 | 1     | 0     | $\phi/48$     | 167 kHz           | 208 kHz            | 417 kHz <sup>*3</sup> | 521 kHz <sup>*3</sup> | 688 kHz <sup>*3</sup>  | 708 kHz <sup>*3</sup>            | 729 kHz <sup>*3</sup>            |
|                 |                 |       | 1     | $\phi/64$     | 125 kHz           | 156 kHz            | 313 kHz               | 391 kHz               | 516 kHz <sup>*3</sup>  | 531 kHz <sup>*3</sup>            | 547 kHz <sup>*3</sup>            |
|                 | 1               | 0     | 0     | $\phi/168$    | 47.6 kHz          | 59.5 kHz           | 119 kHz               | 149 kHz               | 196 kHz                | 202 kHz                          | 208 kHz                          |
|                 |                 |       | 1     | $\phi/100$    | 80.0 kHz          | 100 kHz            | 200 kHz               | 250 kHz               | 330 kHz                | 340 kHz                          | 350 kHz                          |
|                 |                 | 1     | 0     | $\phi/112$    | 71.4 kHz          | 89.3 kHz           | 179 kHz               | 223 kHz               | 295 kHz                | 304 kHz                          | 313 kHz                          |
|                 |                 |       | 1     | $\phi/128$    | 62.5 kHz          | 78.1 kHz           | 156 kHz               | 195 kHz               | 258 kHz                | 266 kHz                          | 273 kHz                          |
| 1               | 0               | 0     | 0     | $\phi/56$     | 143 kHz           | 179 kHz            | 357 kHz               | 446 kHz               | 589 kHz                | 607 kHz                          | 625 kHz                          |
|                 |                 |       | 1     | $\phi/80$     | 100 kHz           | 125 kHz            | 250 kHz               | 313 kHz               | 413 kHz                | 425 kHz                          | 438 kHz                          |
|                 |                 | 1     | 0     | $\phi/96$     | 83.3 kHz          | 104 kHz            | 208 kHz               | 260 kHz               | 344 kHz                | 354 kHz                          | 365 kHz                          |
|                 |                 |       | 1     | $\phi/128$    | 62.5 kHz          | 78.1 kHz           | 156 kHz               | 195 kHz               | 258 kHz                | 266 kHz                          | 273 kHz                          |
|                 | 1               | 0     | 0     | $\phi/336$    | 23.8 kHz          | 29.8 kHz           | 59.5 kHz              | 74.4 kHz              | 98.2 kHz               | 101 kHz                          | 104 kHz                          |
|                 |                 |       | 1     | $\phi/200$    | 40.0 kHz          | 50.0 kHz           | 100 kHz               | 125 kHz               | 165 kHz                | 170 kHz                          | 175 kHz                          |
|                 |                 | 1     | 0     | $\phi/224$    | 35.7 kHz          | 44.6 kHz           | 89.3 kHz              | 112 kHz               | 147 kHz                | 152 kHz                          | 156 kHz                          |
|                 |                 |       | 1     | $\phi/256$    | 31.3 kHz          | 39.1 kHz           | 78.1 kHz              | 97.7 kHz              | 129 kHz                | 133 kHz                          | 137 kHz                          |

- Notes: 1. Supported on the H8S/2378 0.18 $\mu$ m F-ZTAT Group and H8S/2378R 0.18 $\mu$ m F-ZTAT Group only.
2. Supported on the H8S/2378 only.
3. I<sup>2</sup>C bus interface specification (standard mode: max. 100 kHz, fast mode: max. 400 kHz).
4. Due to load conditions, etc., it may not be possible to attain the specified transfer rate when CKS3 and CKS2 are both cleared to 0 (bit period: 7.5 tcyc) and the operating frequency is 20 MHz or higher. Use a bit period other than 7.5 tcyc when the operating frequency exceeds 20 MHz.



### 16.3.2 I<sup>2</sup>C Bus Control Register B (ICCRB)

ICCRB is an 8-bit readable/writable register that issues start/stop conditions, manipulates the SDA pin, monitors the SCL pin, and controls reset in I<sup>2</sup>C control.

| Bit | Bit Name | Initial Value | R/W | Description   |
|-----|----------|---------------|-----|---|
| 7   | BBSY     | 0             | R/W | <p>Bus Busy</p> <p>This bit enables to confirm whether the I<sup>2</sup>C bus is occupied or released and to issue start and stop conditions in master mode. This bit is set to 1 when the SDA level changes from high to low under the condition of SCL = high, assuming that the start condition has been issued. This bit is cleared to 0 when the SDA level changes from low to high under the condition of SCL = high, assuming that the stop condition has been issued. Write 1 to BBSY and 0 to SCP to issue a start condition. Follow this procedure when also re-transmitting a start condition. Write 0 to BBSY and 0 to SCP to issue a stop condition. To issue a start/stop condition, use the MOV instruction.</p> |
| 6   | SCP      | 1             | W   | <p>Start Condition/Stop Condition Prohibit</p> <p>The SCP bit controls the issue of start/stop conditions in master mode.</p> <p>To issue a start condition, write 1 in BBSY and 0 in SCP. A retransmit start condition is issued in the same way. To issue a stop condition, write 0 in BBSY and 0 in SCP. This bit is always read as 1. If 1 is written, the data is not stored.</p>  |
| 5   | SDAO     | 1             | R/W | <p>Monitors the output level of SDA.</p> <p>0: When reading, SDA pin outputs low.</p> <p>1: When reading, SDA pin outputs high.</p> <p>The write value must always be 1.</p>  |
| 4   | —        | 1             | R/W | <p>Reserved</p> <p>The write value must always be 1.</p>  |
| 3   | SCLO     | 1             | R   | <p>This bit monitors SCL output level. When reading and SCLO is 1, SCL pin outputs high. When reading and SCLO is 0, SCL pin outputs low.</p>   |
| 2   | —        | 1             | —   | <p>Reserved</p> <p>This bit is always read as 1.</p>  |

| Bit | Bit Name | Initial Value | R/W | Description  |
|-----|----------|---------------|-----|--|
| 1   | IICRST   | 0             | R/W | IIC control part reset<br>This bit resets control parts except for I <sup>2</sup> C registers. If this bit is set to 1 when hang-up is occurred because of communication failure during I <sup>2</sup> C operation, I <sup>2</sup> C control part can be reset without setting ports and initializing registers. |
| 0   | —        | 1             | —   | Reserved<br>This bit is always read as 1.  |

### 16.3.3 I<sup>2</sup>C Bus Mode Register (ICMR)

ICMR controls the master mode wait and selects the number of transfer bits.

| Bit  | Bit Name | Initial Value | R/W | Description   |
|------|----------|---------------|-----|---|
| 7    | MLS      | 0             | R/W | MSB-First/LSB-First Select<br>0: MSB-first<br>1: LSB-first  |
| 6    | WAIT     | 0             | R/W | Wait Insertion Bit<br>This bit selects whether to insert a wait after data transfer except for the acknowledge bit. When WAIT is set to 1, after the fall of the clock for the final data bit, low period is extended for two transfer clocks. If WAIT is cleared to 0, data and acknowledge bits are transferred consecutively with no wait inserted.<br>The setting of this bit is invalid in slave mode. |
| 5, 4 | —        | All 1         | —   | Reserved<br>These bits are always read as 1.  |
| 3    | BCWP     | 1             | R/W | BC Write Protect<br>This bit controls the BC2 to BC0 modifications. When modifying BC2 to BC0, this bit should be cleared to 0 and use the MOV instruction.<br>0: When writing, values of BC2 to BC0 are set.<br>1: When reading, 1 is always read.<br>When writing, settings of BC2 to BC0 are invalid.  |

| Bit | Bit Name | Initial Value | R/W | Description   |
|-----|----------|---------------|-----|---|
| 2   | BC2      | 0             | R/W | Bit Counter 2 to 0  |
| 1   | BC1      | 0             | R/W | <p>These bits specify the number of bits to be transferred next. When read, the remaining number of transfer bits is indicated. The data is transferred with one addition acknowledge bit. Bit BC2 to BC0 settings should be made during an interval between transfer frames. If bits BC2 to BC0 are set to a value other than 000, the setting should be made while the SCL line is low. The value returns to 000 at the end of a data transfer, including the acknowledge bit. With the clock synchronous serial format, these bits should not be modified.</p> <p>000: 9<br/> 001: 2<br/> 010: 3<br/> 011: 4<br/> 100: 5<br/> 101: 6<br/> 110: 7<br/> 111: 8</p> |
| 0   | BC0      | 0             | R/W |   |

### 16.3.4 I<sup>2</sup>C Bus Interrupt Enable Register (ICIER)

ICIER is an 8-bit readable/writable register that enables or disables interrupt sources and acknowledge bits, sets acknowledge bits to be transferred, and confirms acknowledge bits to be received.

| Bit | Bit Name | Initial Value | R/W | Description  |
|-----|----------|---------------|-----|--|
| 7   | TIE      | 0             | R/W | <p>Transmit Interrupt Enable</p> <p>When the TDRE bit in ICSR is set to 1, this bit enables or disables the transmit data empty interrupt (TXI).</p> <p>0: Transmit data empty interrupt request (TXI) is disabled.</p> <p>1: Transmit data empty interrupt request (TXI) is enabled.</p>  |
| 6   | TEIE     | 0             | R/W | <p>Transmit End Interrupt Enable</p> <p>This bit enables or disables the transmit end interrupt (TEI) at the rising of the ninth clock while the TDRE bit in ICSR is 1. TEI can be canceled by clearing the TEND bit or the TEIE bit to 0.</p> <p>0: Transmit end interrupt request (TEI) is disabled.</p> <p>1: Transmit end interrupt request (TEI) is enabled.</p>                                      |
| 5   | RIE      | 0             | R/W | <p>Receive interrupt enable</p> <p>This bit enables or disables the receive data full interrupt request (RXI) when a received data is transferred from ICDRS to ICRRR and the RDRF bit in ICSR is set to 1. RXI can be canceled by clearing the RDRF or RIE bit to 0.</p> <p>0: Receive data full interrupt request (RXI) is disabled.</p> <p>1: Receive data full interrupt request (RXI) is enabled.</p> |

| Bit | Bit Name | Initial Value | R/W | Description   |
|-----|----------|---------------|-----|---|
| 4   | NAKIE    | 0             | R/W | <p>NACK receive interrupt enable</p> <p>This bit enables or disables the NACK receive interrupt request (NAKI) when the NACKF and AL bits in ICSR are set to 1. NAKI can be canceled by clearing the NACKF, AL, or NAKIE bit to 0.</p> <p>0: NACK receive interrupt request (NAKI) is disabled.</p> <p>1: NACK receive interrupt request (NAKI) is enabled.</p> |
| 3   | STIE     | 0             | R/W | <p>Stop condition detection interrupt enable</p> <p>0: Stop condition detection interrupt request (STPI) is disabled.</p> <p>1: Stop condition detection interrupt request (STPI) is enabled.</p>   |
| 2   | ACKE     | 0             | R/W | <p>Acknowledge Bit Judgement Select</p> <p>0: The value of the acknowledge bit is ignored, and continuous transfer is performed.</p> <p>1: If the acknowledge bit is 1, continuous transfer is interrupted.</p>   |
| 1   | ACKBR    | 0             | R   | <p>Receive acknowledge</p> <p>In transmit mode, this bit stores the acknowledge data that are returned by the receive device. This bit cannot be modified.</p> <p>0: Receive acknowledge = 0</p> <p>1: Receive acknowledge = 1</p>  |
| 0   | ACKBT    | 0             | R/W | <p>Transmit acknowledge</p> <p>In receive mode, this bit specifies the bit to be sent at the acknowledge timing.</p> <p>0: 0 is sent at the acknowledge timing.</p> <p>1: 1 is sent at the acknowledge timing.</p>  |

### 16.3.5 I<sup>2</sup>C Bus Status Register (ICSR)

ICSR is an 8-bit readable/writable register that performs confirmation of interrupt request flags and status.

| Bit | Bit Name | Initial Value | R/W | Description   |
|-----|----------|---------------|-----|---|
| 7   | TDRE     | 0             | R/W | Transmit Data Register Empty<br>[Setting condition] <ul style="list-style-type: none"> <li>• When data is transferred from ICDRT to ICDRS and ICDRT becomes empty</li> <li>• When TRS has been set</li> <li>• When a transition from the receive mode to the transmit mode has been made in the slave mode</li> </ul> [Clearing conditions] <ul style="list-style-type: none"> <li>• When 0 is written in TDRE after reading TDRE = 1</li> <li>• When data is written in ICDRT</li> </ul> |
| 6   | TEND     | 0             | R/W | Transmit end<br>[Setting conditions] <ul style="list-style-type: none"> <li>• When the ninth clock of SCL is rose while the TDRE flag is 1</li> </ul> [Clearing conditions] <ul style="list-style-type: none"> <li>• When 0 is written in TEND after reading TEND = 1</li> <li>• When data is written in ICDRT</li> </ul>   |
| 5   | RDRF     | 0             | R/W | Receive Data Register Full<br>[Setting condition] <ul style="list-style-type: none"> <li>• When a received data is transferred from ICDRS to ICDRR</li> </ul> [Clearing conditions] <ul style="list-style-type: none"> <li>• When 0 is written in RDRF after reading RDRF = 1</li> <li>• When data is read from ICDRR</li> </ul>  |

| Bit | Bit Name | Initial Value | R/W | Description   |
|-----|----------|---------------|-----|---|
| 4   | NACKF    | 0             | R/W | <p>No acknowledge detection flag</p> <p>[Setting condition]</p> <ul style="list-style-type: none"> <li>When no acknowledge is detected from the receive device in transmission while the ACKE bit in ICIER is 1</li> </ul> <p>[Clearing condition]</p> <ul style="list-style-type: none"> <li>When 0 is written in NACKF after reading NACKF = 1</li> </ul>   |
| 3   | STOP     | 0             | R/W | <p>Stop condition detection flag</p> <p>[Setting condition]</p> <ul style="list-style-type: none"> <li>In master mode, when a stop condition is detected after frame transfer</li> <li>In slave mode, when a stop condition is detected after the general call address or the first byte slave address, next to detection of start condition, accords with the address set in SAR</li> </ul> <p>[Clearing condition]</p> <ul style="list-style-type: none"> <li>When 0 is written in STOP after reading STOP = 1</li> </ul>   |
| 2   | AL       | 0             | R/W | <p>Arbitration Lost Flag</p> <p>This flag indicates that arbitration was lost in master mode.</p> <p>When two or more master devices attempt to seize the bus at nearly the same time, if the I<sup>2</sup>C bus interface detects data differing from the data it sent, it sets AL to 1 to indicate that the bus has been taken by another master.</p> <p>[Setting conditions]</p> <ul style="list-style-type: none"> <li>If the internal SDA and SDA pin disagree at the rise of SCL in master transmit mode</li> <li>When the internal SDA high in master mode while a start condition is detected</li> </ul> <p>[Clearing condition]</p> <ul style="list-style-type: none"> <li>When 0 is written in AL/OVE after reading AL/OVE=1</li> </ul> |

| Bit | Bit Name | Initial Value | R/W | Description   |
|-----|----------|---------------|-----|---|
| 1   | AAS      | 0             | R/W | <p>Slave Address Recognition Flag</p> <p>In slave receive mode, this flag is set to 1 if the first frame following a start condition matches bits SVA6 to SVA0 in SAR.</p> <p>[Setting condition]</p> <ul style="list-style-type: none"> <li>• When the slave address is detected in slave receive mode</li> <li>• When the general call address is detected in slave receive mode.</li> </ul> <p>[Clearing condition]</p> <ul style="list-style-type: none"> <li>• When 0 is written in AAS after reading AAS=1</li> </ul> |
| 0   | ADZ      | 0             | R/W | <p>General Call Address Recognition Flag</p> <p>This bit is valid in slave receive mode.</p> <p>[Setting condition]</p> <ul style="list-style-type: none"> <li>• When the general call address is detected in slave receive mode</li> </ul> <p>[Clearing conditions]</p> <ul style="list-style-type: none"> <li>• When 0 is written in ADZ after reading ADZ=1</li> </ul>   |

### 16.3.6 Slave address register (SAR)

SAR is an 8-bit readable/writable register that sets slave address. When the chip is in slave mode, if the upper 7 bits of SAR match the upper 7 bits of the first frame received after a start condition, the chip operates as the slave device.

| Bit    | Bit Name     | Initial Value | R/W | Description   |
|--------|--------------|---------------|-----|---|
| 7 to 1 | SVA6 to SVA0 | All 0         | R/W | <p>Slave Address 6 to 0</p> <p>These bits set a unique address in bits SVA6 to SVA0, differing from the addresses of other slave devices connected to the I<sup>2</sup>C bus.</p> |
| 0      | —            | 0             | R/W | <p>Reserved</p> <p>This bit is readable/writable. The write value must always be 0.</p>   |



### 16.3.7 I<sup>2</sup>C Bus Transmit Data Register (ICDRT)

ICDRT is an 8-bit readable/writable register that stores the transmit data. When ICDRT detects the space in the I<sup>2</sup>C bus shift register (ICDRS), it transfers the transmit data which is written in ICDRT to ICDRS and starts transferring data. If the next transfer data is written to ICDRT during transferring data of ICDRS, continuous transfer is possible. The initial value of ICDRT is H'FF.

### 16.3.8 I<sup>2</sup>C Bus Receive Data Register (ICDRR)

ICDRR is an 8-bit register that stores the receive data. When data of one byte is received, ICDRR transfers the received data from ICDRS to ICDRR and the next data can be received. ICDRR is a receive-only register, therefore the CPU cannot be written to this register. The initial value of ICDRR is H'FF.

### 16.3.9 I<sup>2</sup>C Bus Shift Register (ICDRS)

ICDRS is a register that is used to transfer/receive data. In transmission, data is transferred from ICDRT to ICDRS and the data is sent from the SDA pin. In reception, data is transferred from ICDRS to ICDRR after data of one byte is received. This register cannot be read from the CPU.

## 16.4 Operation

### 16.4.1 I<sup>2</sup>C Bus Format

Figure 16.3 shows the I<sup>2</sup>C bus formats. Figure 16.4 shows the I<sup>2</sup>C bus timing. The first frame following a start condition always consists of 8 bits.

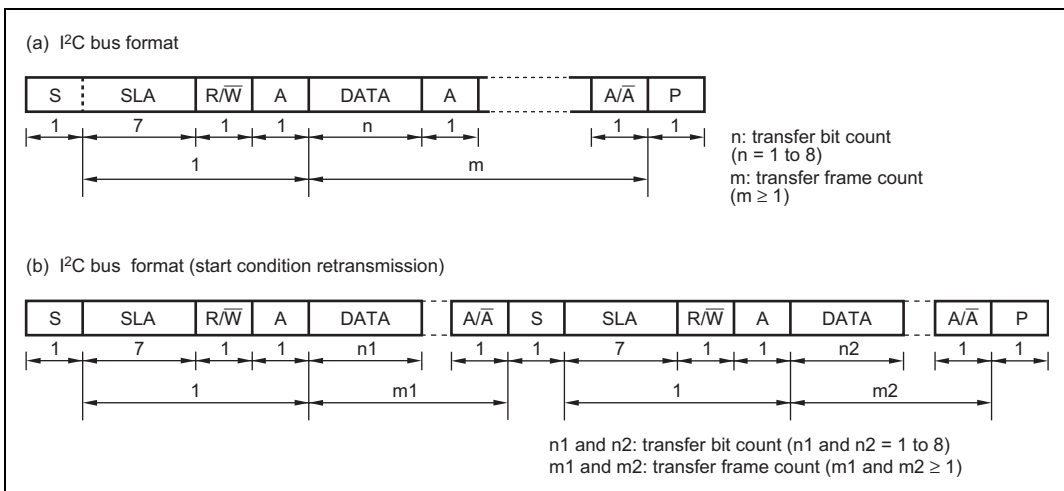


Figure 16.3 I<sup>2</sup>C Bus Formats

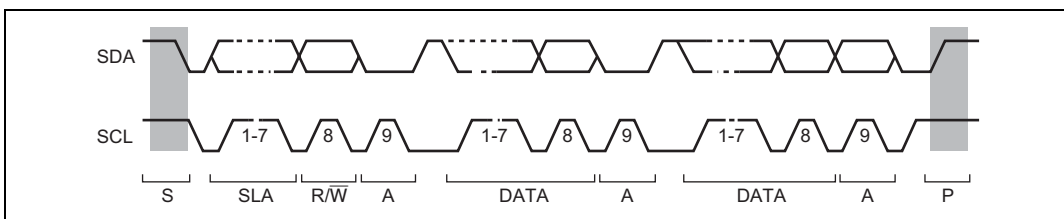


Figure 16.4 I<sup>2</sup>C Bus Timing

**Legend:**

S: Start condition. The master device drives SDA from high to low while SCL is high.

SLA: Slave address

$\overline{R/W}$ : Indicates the direction of data transfer: from the slave device to the master device when  $\overline{R/W}$  is 1, or from the master device to the slave device when  $\overline{R/W}$  is 0.

A: Acknowledge. The receiving device drives SDA to low.

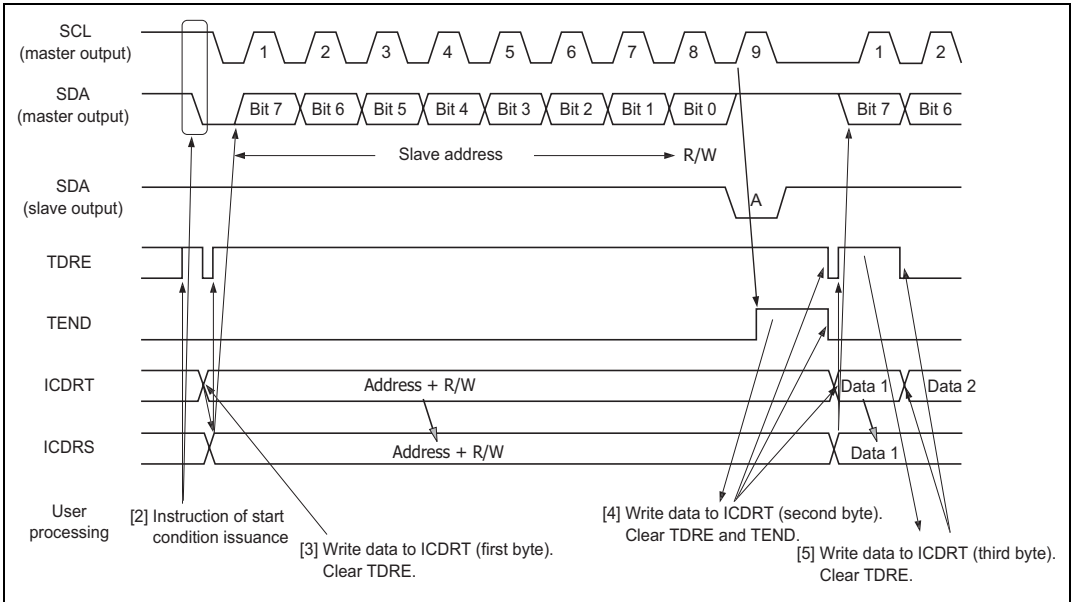
DATA: Transferred data

P: Stop condition. The master device drives SDA from low to high while SCL is high.

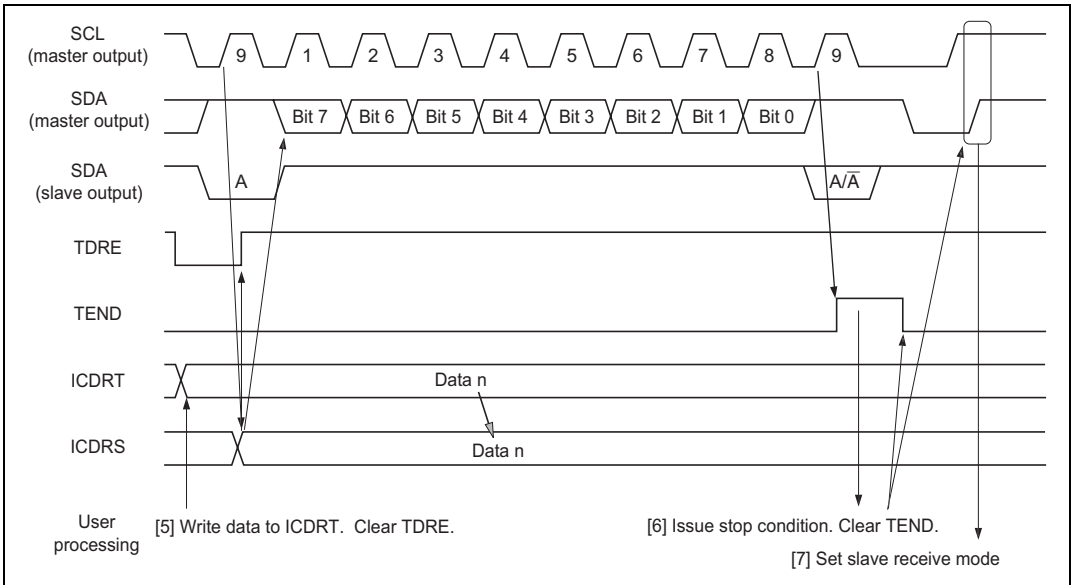
**16.4.2 Master Transmit Operation**

In I<sup>2</sup>C bus format master transmit mode, the master device outputs the transmit clock and transmit data, and the slave device returns an acknowledge signal. The transmission procedure and operations in master transmit mode are described below.

1. Set the ICE bit in ICCRA to 1. Set the WAIT bit in ICMR and the CKS3 to CKS0 bits in ICCR1 to 1. (Initial setting)
2. Read the BBSY flag in ICCRB to confirm that the bus is free. Set the MST and TRS bits in ICCRA to select master transmit mode. Then, write 1 to BBSY and 0 to SCP using MOV instruction. (Start condition issued) This generates the start condition.
3. After confirming that TDRE in ICSR has been set, write the transmit data (the first byte data show the slave address and  $\overline{R/W}$ ) to ICDRT. After this, when TDRE is cleared to 0, data is transferred from ICDRT to ICDRS. TDRE is set again.
4. When transmission of one byte data is completed while TDRE is 1, TEND in ICSR is set to 1 at the rise of the 9th transmit clock pulse. Read the ACKBR bit in ICIER, and confirm that the slave device has been selected. Then, write second byte data to ICDRT, and clear TDRE and TEND. When ACKBR is 1, the slave device has not been acknowledged, so issue the stop condition. To issue the stop condition, write 0 to BBSY and SCP using MOV instruction. SCL is fixed low until the transmit data is prepared or the stop condition is issued.
5. The transmit data after the second byte is written to ICDRT every time TDRE is set, thus clearing TDRE.
6. Write the number of bytes to be transmitted to ICDRT. Wait until TEND is set (the end of last byte data transmission) while TDRE is 1, or wait for NACK (NACKF in ICSR = 1) from the receive device while ACKE in ICIER is 1. Then, issue the stop condition to clear TEND or NACKF.
7. When the STOP bit in ICSR is set to 1, the operation returns to the slave receive mode.



**Figure 16.5 Master Transmit Mode Operation Timing 1**

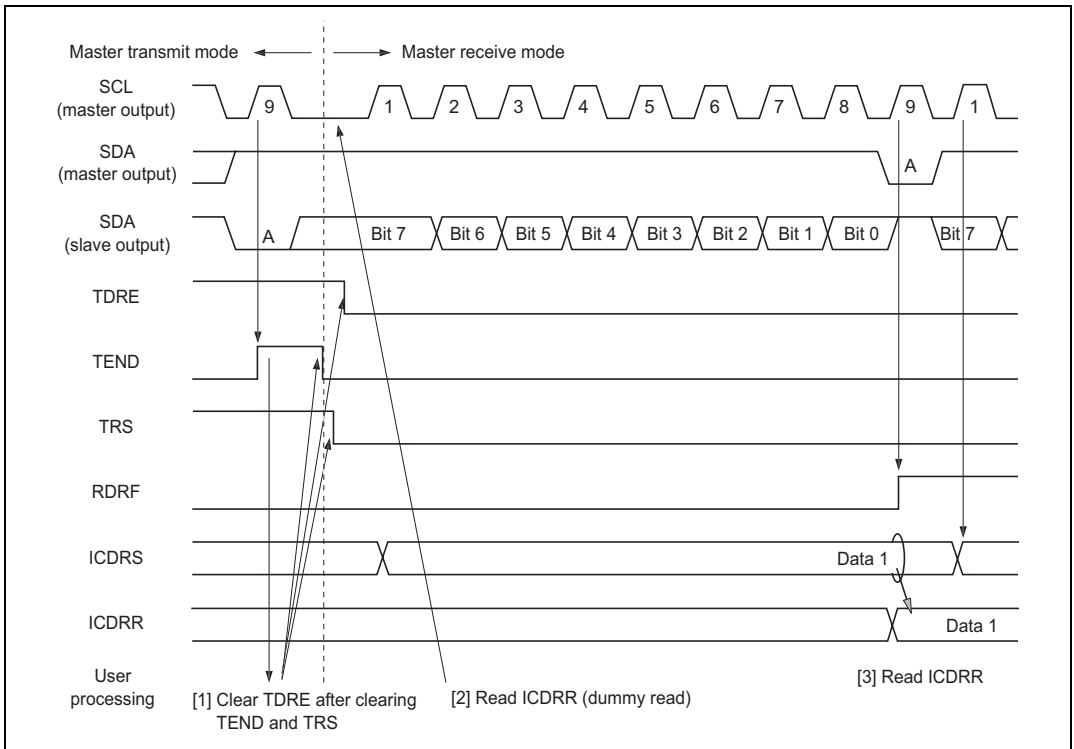


**Figure 16.6 Master Transmit Mode Operation Timing 2**

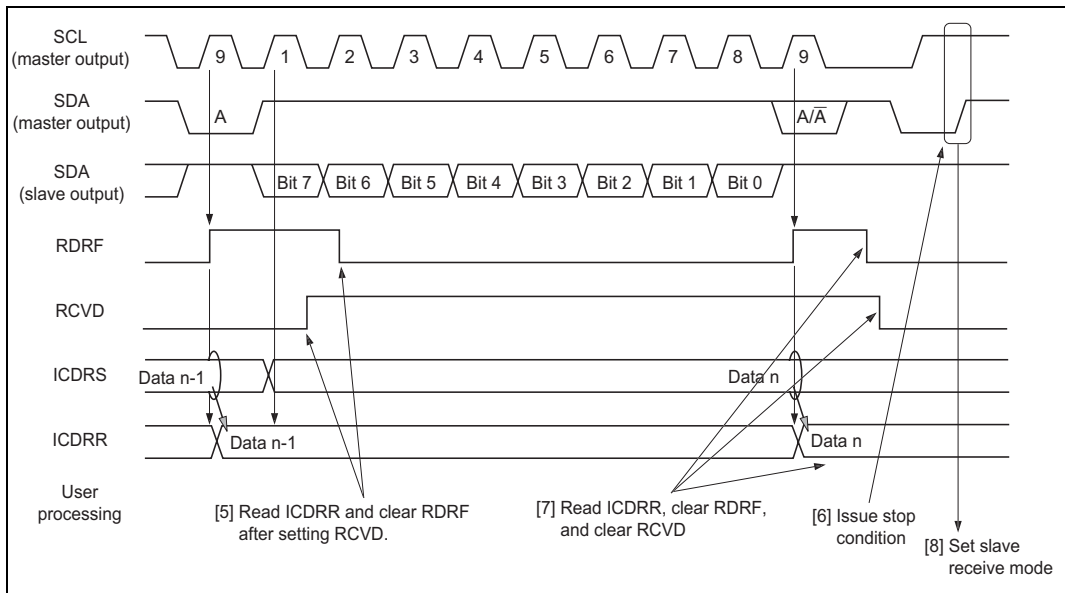
### 16.4.3 Master Receive Operation

In master receive mode, the master device outputs the receive clock, receives data from the slave device, and returns an acknowledge signal. The reception procedure and operations in master receive mode are shown below.

1. Clear the TEND bit in ICSR to 0, then clear the TRS bit in ICCRA to 0 to switch from master transmit mode to master receive mode. Then, clear the TDRE bit to 0.
2. When ICDRR is read (dummy data read), reception is started, and the receive clock is output, and data received, in synchronization with the internal clock. The master device outputs the level specified by ACKBT in ICIER to SDA, at the 9th receive clock pulse.
3. After the reception of first frame data is completed, the RDRF bit in ICST is set to 1 at the rise of 9th receive clock pulse. At this time, the received data is read by reading ICDRR.
4. The continuous reception is performed by reading ICDRR and clearing RDRF to 0 every time RDRF is set. If 8th receive clock pulse falls after reading ICDRR by the other processing while RDRF is 1, SCL is fixed low until ICDRR is read.
5. If next frame is the last receive data, set the RCVD bit in ICCR1 to 1 before reading ICDRR. This enables the issuance of the stop condition after the next reception.
6. When the RDRF bit is set to 1 at rise of the 9th receive clock pulse, read ICDRR. Then, clear RCVD.
7. When the STOP bit in ICSR is set to 1, read ICDRR and clear RDRF to 0. Then clear the RCVD bit to 0.
8. The operation returns to the slave receive mode.



**Figure 16.7 Master Receive Mode Operation Timing 1**



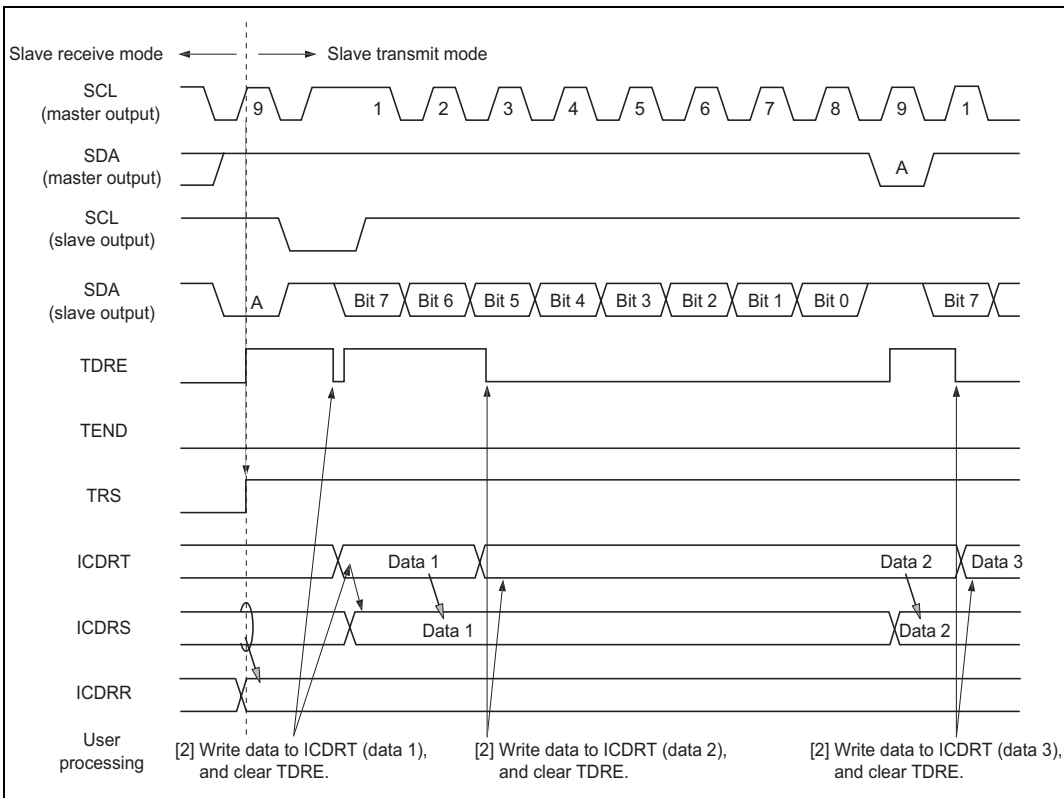
**Figure 16.8 Master Receive Mode Operation Timing 2**

#### 16.4.4 Slave Transmit Operation

In slave transmit mode, the slave device outputs the transmit data, while the master device outputs the receive clock and returns an acknowledge signal.

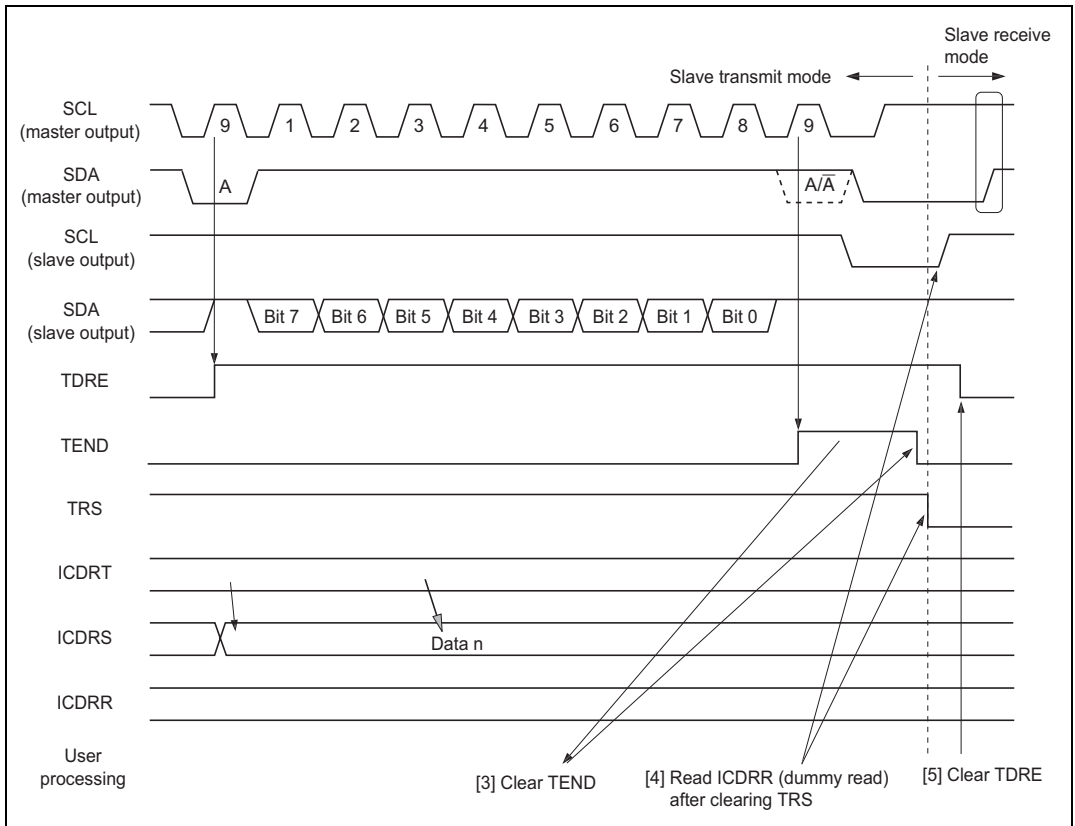
The transmission procedure and operations in slave transmit mode are described below.

1. Set the ICE bit in ICCRA to 1. Set the MLS and WAIT bits in ICMR and the CKS3 to CKS0 bits in ICCRA to 1. (Initial setting) Set the MST and TRS bits in ICCRA to select slave receive mode, and wait until the slave address matches.
2. When the slave address matches in the first frame following detection of the start condition, the slave device outputs the level specified by ACKBT in ICIER to SDA, at the rise of the 9th clock pulse. At this time, if the 8th bit data ( $\overline{R/W}$ ) is 1, the TRS in ICCRA and TDRE in ICSR are set to 1, and the mode changes to slave transmit mode automatically. The continuous transmission is performed by clearing TDRE after writing transmit data to ICDRT every time TDRE is set.
3. If TDRE is set after writing last transmit data to ICDRT, wait until TEND in ICSR is set to 1, with TDRE = 1. When TEND is set, clear TEND.
4. Clear TRS for the end processing, and read ICDRR (dummy read). SCL is free.
5. Clear TDRE.



**Figure 16.9 Slave Transmit Mode Operation Timing 1**



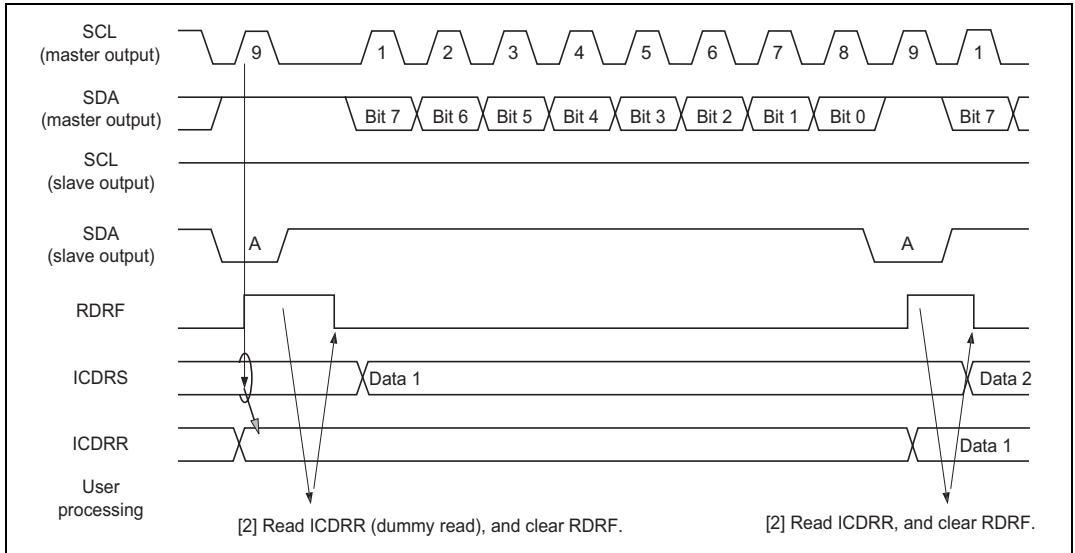


**Figure 16.10 Slave Transmit Mode Operation Timing 2**

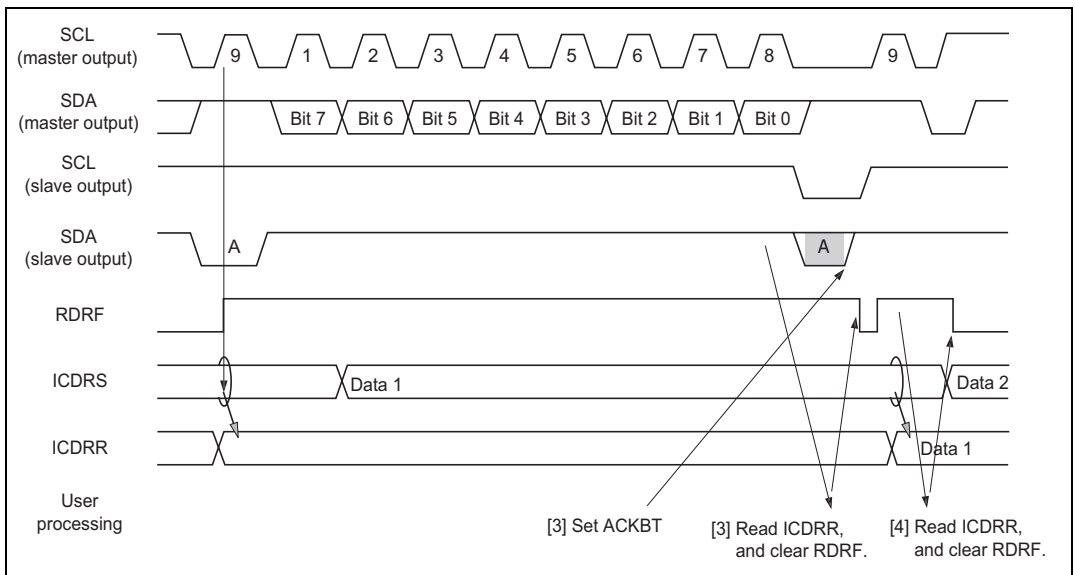
### 16.4.5 Slave Receive Operation

In slave receive mode, the master device outputs the transmit clock and transmit data, and the slave device returns an acknowledge signal. The reception procedure and operations in slave receive mode are described below.

1. Set the ICE bit in ICCRA to 1. Set the MLS and WAIT bits in ICMR and the CKS3 to CKS0 bits in ICCRA to 1. (Initial setting) Set the MST and TRS bits in ICCRA to select slave receive mode, and wait until the slave address matches.
2. When the slave address matches in the first frame following detection of the start condition, the slave device outputs the level specified by ACKBT in ICIER to SDA, at the rise of the 9th clock pulse. At the same time, RDRF in ICSR is set to read ICDRR (dummy read) and RDRF is cleared. (Since the read data show the slave address and  $\overline{R/\overline{W}}$ , it is not used.)
3. Clear RDRF after reading ICDRR every time RDRF is set. If 8th receive clock pulse falls while RDRF is 1, SCL is fixed low until ICDRR is read. The change of the acknowledge before reading ICDRR, to be returned to the master device, is reflected to the next transmit frame.
4. The last byte data is read by reading ICDRR.



**Figure 16.11 Slave Receive Mode Operation Timing 1**

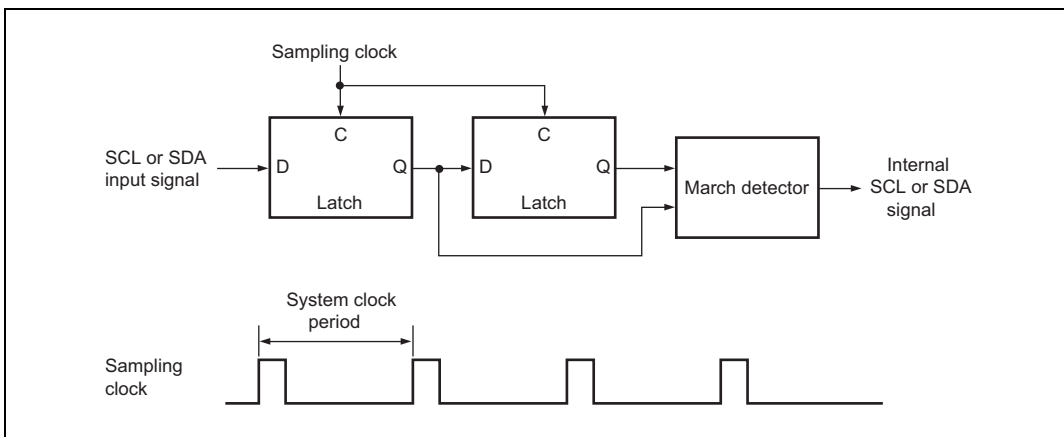


**Figure 16.12 Slave Receive Mode Operation Timing 2**

### 16.4.6 Noise Canceler

The logic levels at the SCL and SDA pins are routed through noise cancelers before being latched internally. Figure 16.13 shows a block diagram of the noise canceler circuit.

The noise canceler consists of two cascaded latches and a match detector. The SCL (or SDA) input signal is sampled on the system clock, but is not passed forward to the next circuit unless the outputs of both latches agree. If they do not agree, the previous value is held.



**Figure 16.13 Block Diagram of Noise Canceler**

### 16.4.7 Example of Use

Flowcharts in respective modes that use the I<sup>2</sup>C bus interface are shown in figures 16.14 to 16.17.

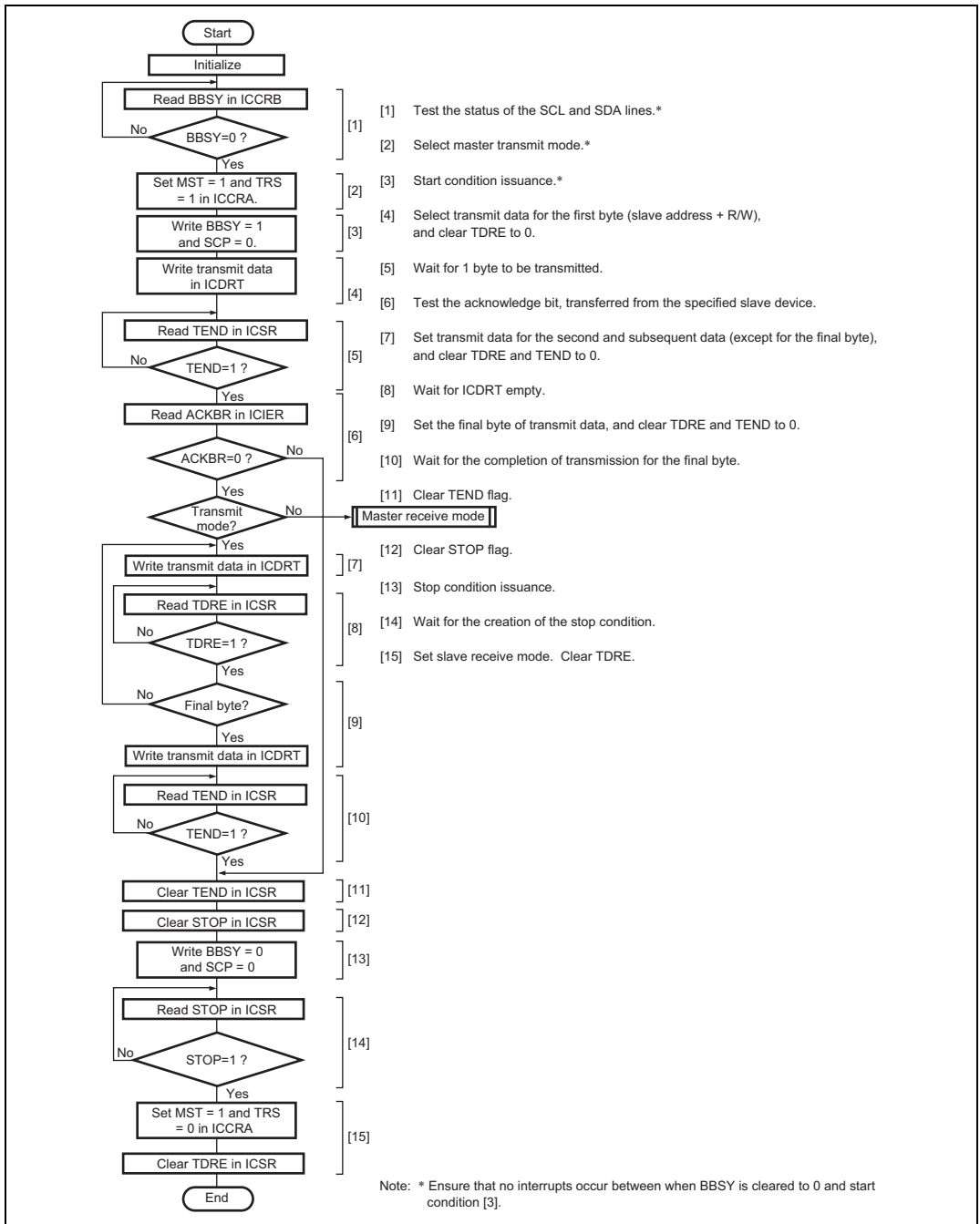
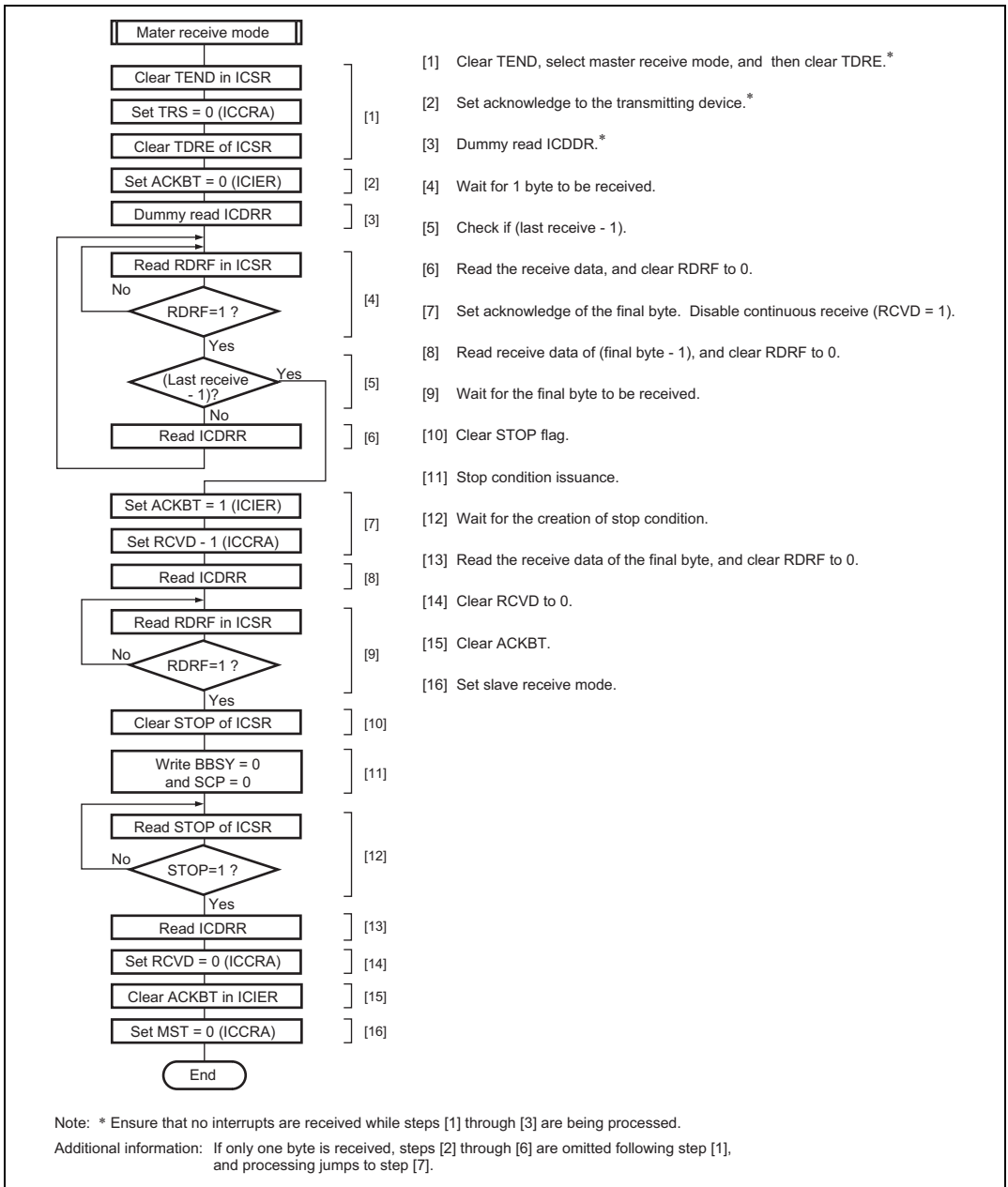
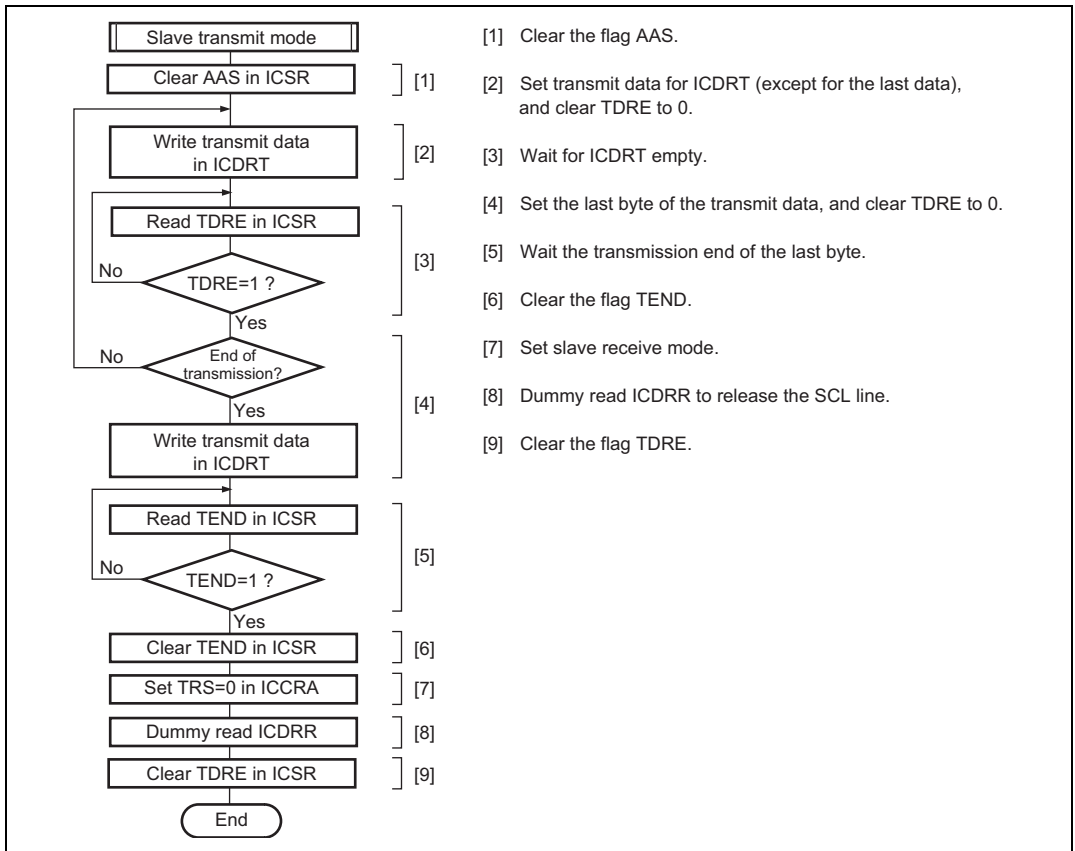


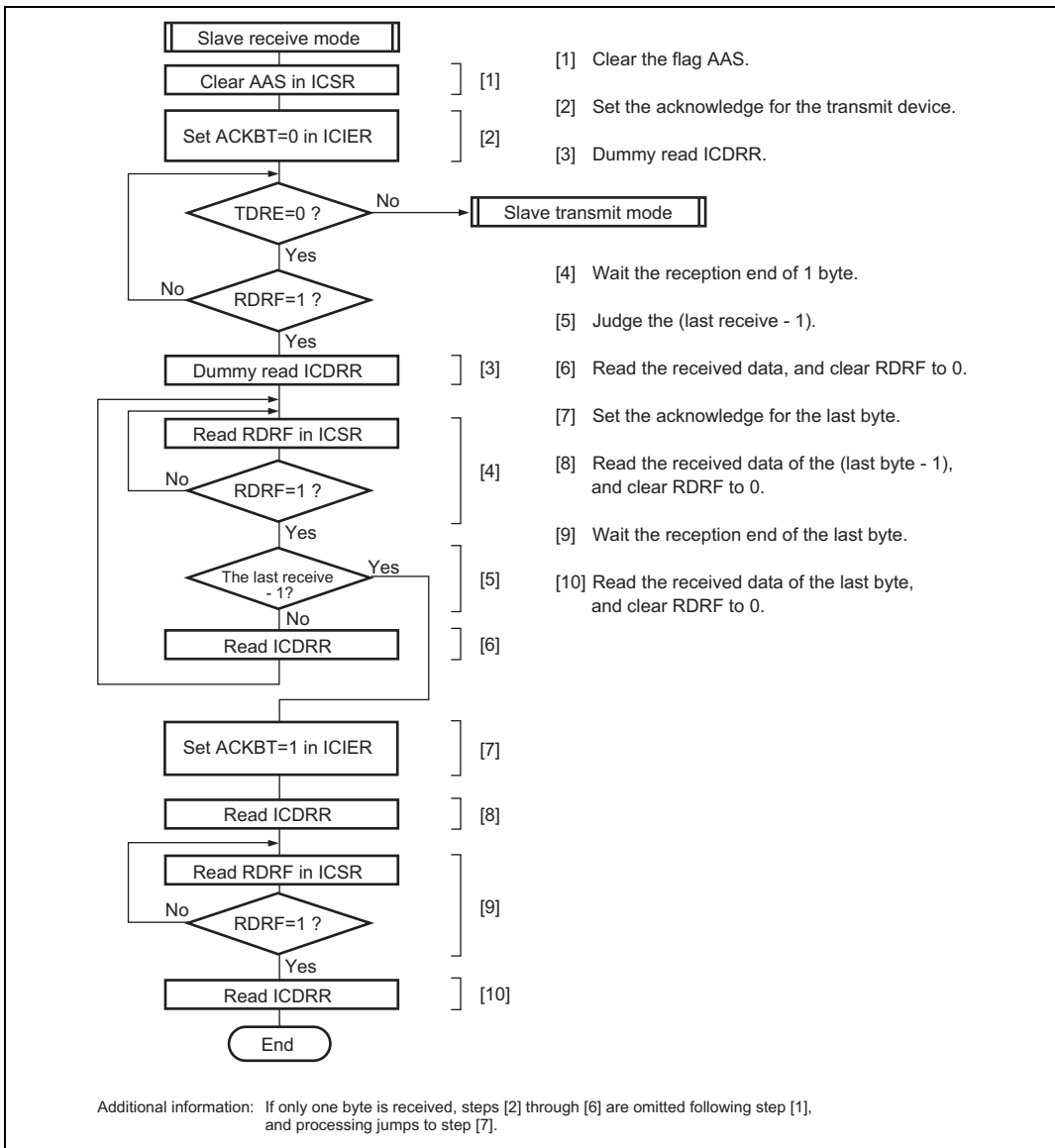
Figure 16.14 Sample Flowchart for Master Transmit Mode



**Figure 16.15 Sample Flowchart for Master Receive Mode**



**Figure 16.16 Sample Flowchart for Slave Transmit Mode**



**Figure 16.17 Sample Flowchart for Slave Receive Mode**



## 16.5 Interrupt Request

There are six interrupt requests in this module; transmit data empty, transmit end, receive data full, NACK detection, STOP recognition, and arbitration lost. Table 16.3 shows the contents of each interrupt request.

**Table 16.3 Interrupt Requests**

| Interrupt Request   | Abbreviation | Interrupt Condition                    |
|---------------------|--------------|--|
| Transmit Data Empty | TXI          | $(TDRE=1) \cdot (TIE=1)$               |
| Transmit End        | TEI          | $(TEND=1) \cdot (TEIE=1)$              |
| Receive Data Full   | RXI          | $(RDRF=1) \cdot (RIE=1)$               |
| STOP Recognition    | STPI         | $(STOP=1) \cdot (STIE=1)$              |
| NACK Detection      | NAKI         | $\{(NACKF=1)+(AL=1)\} \cdot (NAKIE=1)$ |
| Arbitration Lost    |              |  |

Interrupt exception handling is performed when the interrupt conditions listed in table 16.3 are set to 1 and the CPU is ready to accept interrupts. During exception handling, the interrupt sources should be cleared. Note, however, that TDRE and TEND are automatically cleared by writing transmit data to ICDRT, and RDRF is automatically cleared by reading data from ICDRR. In particular, if TDRE is set at the same time transmit data is written to ICDRT, and then TDRE is cleared again, an extra byte of data may be transmitted.

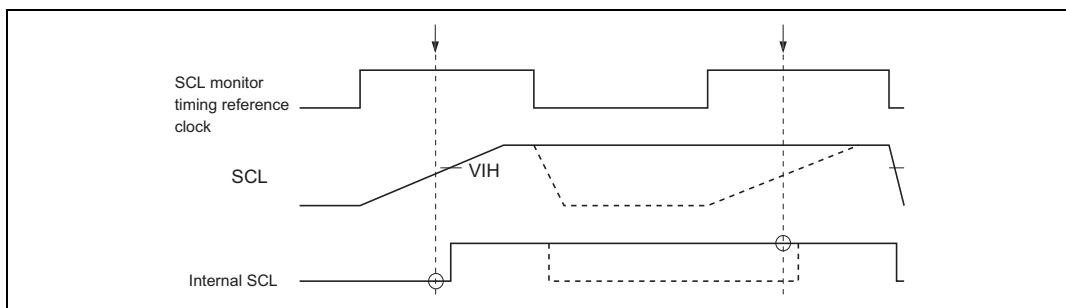
## 16.6 Bit Synchronous Circuit

In master mode,

- When SCL is driven to low by the slave device
- When the rising speed of SCL is lower by the load of the SCL line (load capacitance or pull-up resistance)

This module has a possibility that high level period may be short in the two states described above. Therefore it monitors SCL and communicates by bit with synchronization.

Figure 16.18 shows the timing of the bit synchronous circuit and table 16.4 shows the time when SCL output changes from low to Hi-Z then SCL is monitored.



**Figure 16.18 Timing of the Bit Synchronous Circuit**

**Table 16.4 Time for monitoring SCL**

| CKS3 | CKS2 | Time for monitoring SCL |
|------|------|-------------------------|
| 0    | 0    | 7.5 tcyc                |
|      | 1    | 19.5 tcyc               |
| 1    | 0    | 17.5 tcyc               |
|      | 1    | 41.5 tcyc               |

## 16.7 Usage Notes

- (1) Issue (retransmit) the start/stop conditions after the fall of the ninth clock is confirmed.  
Check SCLO in the I<sup>2</sup>C control register B (IICRB) to confirm the fall of the ninth clock.  
When the start/stop conditions are issued (retransmitted) at the specific timing under the following condition (i) or (ii), such conditions may not be output successfully. This does not occur in other cases.
  - (i) When the rising of SCL falls behind the time specified in section 16.6, Bit Synchronous Circuit, by the load of the SCL bus (load capacitance or pull-up resistance)
  - (ii) When the bit synchronous circuit is activated by extending the low period of eighth and ninth clocks, that is driven by the slave device
- (2) Control WAIT in the I<sup>2</sup>C bus mode register (ICMR) to be set to 0.  
When WAIT is set to 1, and SCL is driven low for two or more transfer clocks by the slave device at the eighth and ninth clocks, the high period of ninth clock may be shortened. This does not occur in other cases.
- (3) I<sup>2</sup>C bus interface 2 (IIC2) master receive mode  
When operating in master receive mode with RDRF set to 1, SCL is driven low at the falling edge of the eighth clock cycle. However, when ICDRR is read near the falling edge of the eighth clock cycle, SCL is only fixed low for one clock cycle at the eighth clock cycle of the next receive data, after which SCL is no longer fixed and the ninth clock cycle is output, even if ICDRR is not read. This causes the receive data to overflow.  
The following methods can be used to prevent this from occurring.
  - In master receive mode, complete processing to read ICDRR before the rising edge of the eighth clock cycle.
  - In master receive mode, set RCVD to 1 and perform communication processing one byte at a time.
- (4) Limitations on transfer rate setting values when using I<sup>2</sup>C bus interface 2 (IIC2) in multi-master mode  
When operating in multi-master mode and the IIC transfer rate setting of the MCU is slower than that of another master device, an SCL of an unanticipated width may be output occasionally. To prevent this, set the transfer rate to a value 1/1.8 or greater than the fastest transfer rate among the other master devices. For example, if the fastest transfer rate setting among the other master devices is 400 kbps, set the IIC transfer rate of the MCU to 223 kbps (400/1.8) or higher.
- (5) Limitations on use of bit manipulation instructions to set MST and TRS when using I<sup>2</sup>C bus interface 2 (IIC2) in multi-master mode

When bit manipulation instructions are used to set MST and TRS in succession to specify master transmit while operating in multi-master mode, an arbitration lost may occur, during execution of the bit manipulation instruction to set TRS, with timing that results in a contradictory state in which AL in ICSR is set to 1 and master transmit mode (MST = 1, TRS = 1) is selected as well.

The following methods can be used to prevent this from occurring.

- When operating in multi-master mode, always use the MOV instruction to set MST and TRS.
- When an arbitration lost occurs, confirm that MST and TRS are both cleared to 0. If the settings are other than MST = 0, TRS = 0, clear MST and TRS to 0.

## Section 17 A/D Converter

This LSI includes a successive approximation type 10-bit A/D converter that allows up to sixteen analog input channels to be selected. The block diagram of A/D converter is shown in figure 17.1.

### 17.1 Features

- 10-bit resolution
- Sixteen input channels
- Conversion time: 7.4  $\mu$ s per channel (at 35-MHz operation)
- Two kinds of operating modes
  - Single mode: Single-channel A/D conversion
  - Scan mode: Continuous A/D conversion on 1 to 4 channels, or 1 to 8 channels
- Eight data registers
  - Conversion results are held in a 16-bit data register for each channel
- Sample and hold function
- Three kinds of conversion start
  - Conversion can be started by software, 16-bit timer pulse unit (TPU), conversion start trigger by 8-bit timer (TMR), or external trigger signal.
- Interrupt request
  - A/D conversion end interrupt (ADI) request can be generated
- Module stop mode can be set

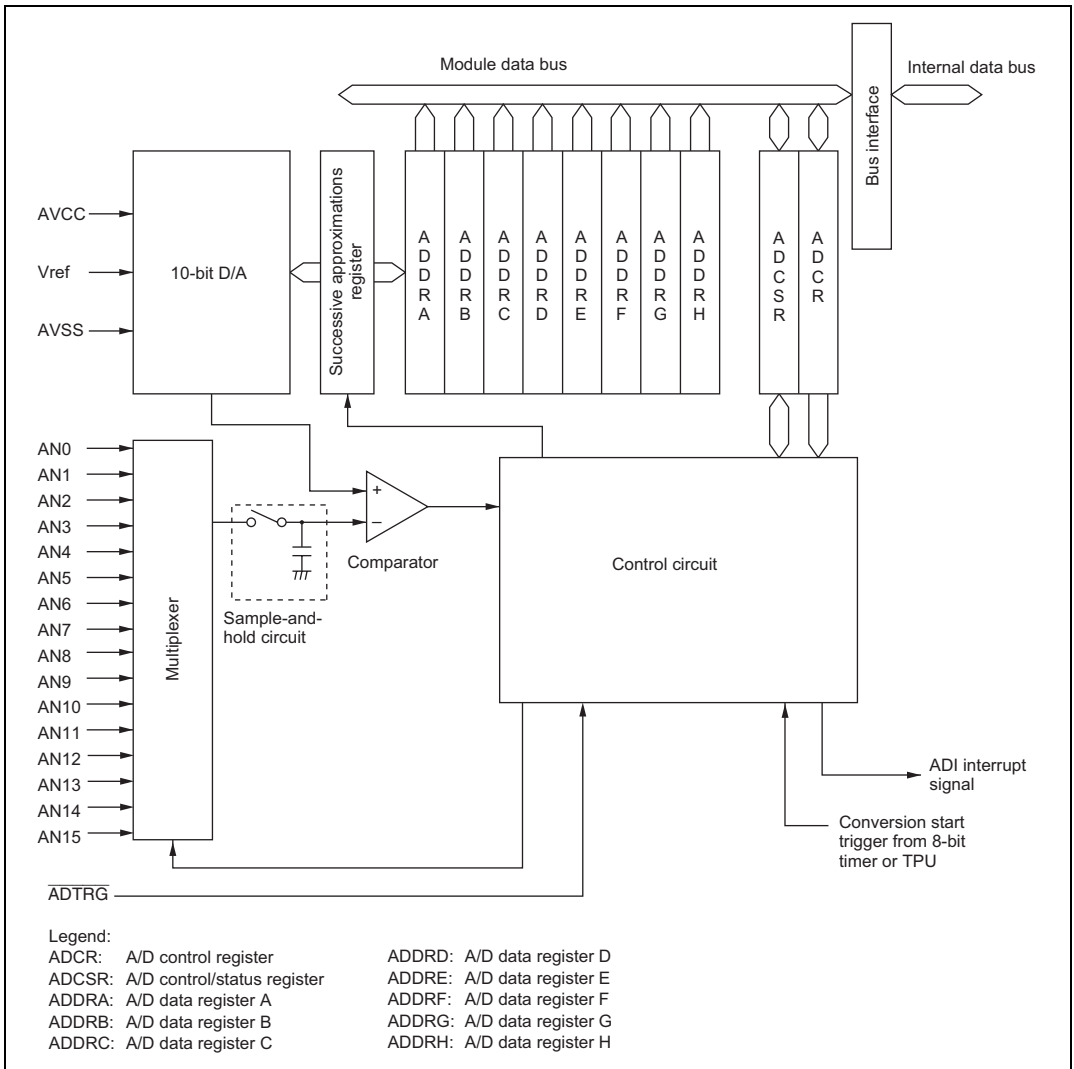


Figure 17.1 Block Diagram of A/D Converter

## 17.2 Input/Output Pins

Table 17.1 shows the pin configuration of the A/D converter.

The  $AV_{CC}$  and  $AV_{SS}$  pins are the power supply pins for the analog block in the A/D converter. The  $V_{ref}$  pin is the A/D conversion reference voltage pin.

The sixteen analog input pins are divided into two channel sets: channel set 0 (AN0 to AN7) and channel set 1 (AN8 to AN15).

**Table 17.1 Pin Configuration**

| Pin Name                       | Symbol             | I/O   | Function                         |
|--------------------------------|--------------------|-------|----------------------------------|
| Analog power supply pin        | $AV_{CC}$          | Input | Analog block power supply        |
| Analog ground pin              | $AV_{SS}$          | Input | Analog block ground              |
| Reference voltage pin          | $V_{ref}$          | Input | A/D conversion reference voltage |
| Analog input pin 0             | AN0                | Input | Channel set 0 analog inputs      |
| Analog input pin 1             | AN1                | Input |                                  |
| Analog input pin 2             | AN2                | Input |                                  |
| Analog input pin 3             | AN3                | Input |                                  |
| Analog input pin 4             | AN4                | Input |                                  |
| Analog input pin 5             | AN5                | Input |                                  |
| Analog input pin 6             | AN6                | Input |                                  |
| Analog input pin 7             | AN7                | Input |                                  |
| Analog input pin 8             | AN12               | Input | Channel set 1 analog inputs      |
| Analog input pin 9             | AN13               | Input |                                  |
| Analog input pin 10            | AN14               | Input |                                  |
| Analog input pin 11            | AN15               | Input |                                  |
| Analog input pin 12            | AN12               | Input |                                  |
| Analog input pin 13            | AN13               | Input |                                  |
| Analog input pin 14            | AN14               | Input |                                  |
| Analog input pin 15            | AN15               | Input |                                  |
| A/D external trigger input pin | $\overline{ADTRG}$ | Input |                                  |

## 17.3 Register Description

The A/D converter has the following registers.

- A/D data register A (ADDRA)
- A/D data register B (ADDRB)
- A/D data register C (ADDRC)
- A/D data register D (ADDRD)
- A/D data register E (ADDRE)
- A/D data register F (ADDRF)
- A/D data register G (ADDRG)
- A/D data register H (ADDRH)
- A/D control/status register (ADCSR)
- A/D control register (ADCR)

### 17.3.1 A/D Data Registers A to H (ADDRA to ADDRH)

There are eight 16-bit read-only ADDR registers, ADDRA to ADDRH, used to store the results of A/D conversion. The ADDR registers, which store a conversion result for each channel, are shown in table 17.2.

The converted 10-bit data is stored to bits 15 to 6. The lower 6-bit data is always read as 0.

The data bus between the CPU and the A/D converter is 16-bit width. The data can be read directly from the CPU.

**Table 17.2 Analog Input Channels and Corresponding ADDR Registers**

| Analog Input Channel    |                         | A/D Data Register which Stores Conversion Result |
|-------------------------|-------------------------|--|
| Channel Set 0 (CH3 = 0) | Channel Set 1 (CH3 = 1) |  |
| AN0                     | AN8                     | ADDRA  |
| AN1                     | AN9                     | ADDRB  |
| AN2                     | AN10                    | ADDRC  |
| AN3                     | AN11                    | ADDRD  |
| AN4                     | AN12                    | ADDRE  |
| AN5                     | AN13                    | ADDRF  |
| AN6                     | AN14                    | ADDRG  |
| AN7                     | AN15                    | ADDRH  |



### 17.3.2 A/D Control/Status Register (ADCSR)

ADCSR controls A/D conversion operations.

| Bit | Bit Name | Initial Value | R/W    | Description  |
|-----|----------|---------------|--------|--|
| 7   | ADF      | 0             | R/(W)* | <p>A/D End Flag</p> <p>A status flag that indicates the end of A/D conversion.</p> <p>[Setting conditions]</p> <ul style="list-style-type: none"> <li>• When A/D conversion ends in single mode</li> <li>• When A/D conversion ends on all specified channels in scan mode</li> </ul> <p>[Clearing conditions]</p> <ul style="list-style-type: none"> <li>• When 0 is written after reading ADF = 1</li> <li>• When the DTC or DMAC is activated by an ADI interrupt and ADDR is read</li> </ul>   |
| 6   | ADIE     | 0             | R/W    | <p>A/D Interrupt Enable</p> <p>A/D conversion end interrupt (ADI) request enabled when 1 is set</p>  |
| 5   | ADST     | 0             | R/W    | <p>A/D Start</p> <p>Clearing this bit to 0 stops A/D conversion, and the A/D converter enters wait state. When this bit is set to 1 by software, TPU (trigger), TMR (trigger), or the ADTRG pin, A/D conversion starts. This bit remains set to 1 during A/D conversion. In single mode, cleared to 0 automatically when conversion on the specified channel ends. In scan mode, conversion continues sequentially on the specified channels until this bit is cleared to 0 by a reset, a transition to hardware standby mode or software.</p> |
| 4   | —        | 0             | —      | <p>Reserved</p> <p>This bit is always read as 0 and cannot be modified.</p>  |

| Bit | Bit Name | Initial Value | R/W | Description   |
|-----|----------|---------------|-----|---|
| 3   | CH3      | 0             | R/W | Channel select 3 to 0   |
| 2   | CH2      | 0             | R/W | Selects analog input together with bits SCANE and SCANS in ADCR.  |
| 1   | CH1      | 0             | R/W |   |
| 0   | CH0      | 0             | R/W | Set the input channel when conversion is stopped (ADST = 0).<br>When SCANE = 0 and SCANS = ×<br>0000: AN0                    1000: AN8<br>0001: AN1                    1001: AN9<br>0010: AN2                    1010: AN10<br>0011: AN3                    1011: AN11<br>0100: AN4                    1100: AN12<br>0101: AN5                    1101: AN13<br>0110: AN6                    1110: AN14<br>0111: AN7                    1111: AN15<br>When SCANE = 1 and SCANS = 0<br>0000: AN0                    1000: AN8<br>0001: AN0 and AN1        1001: AN8 and AN9<br>0010: AN0 to AN2         1010: AN8 to AN10<br>0011: AN0 to AN3         1011: AN8 to AN11<br>0100: AN4                    1100: AN12<br>0101: AN4 and AN5        1101: AN12 and AN13<br>0110: AN4 to AN6         1110: AN12 to AN14<br>0111: AN4 to AN7         1111: AN12 to AN15<br>When SCANE = 1 and SCANS = 1<br>0000: AN0                    1000: AN8<br>0001: AN0 and AN1        1001: AN8 and AN9<br>0010: AN0 to AN2         1010: AN8 to AN10<br>0011: AN0 to AN3         1011: AN8 to AN11<br>0100: AN0 to AN4         1100: AN8 to AN12<br>0101: AN0 to AN5         1101: AN8 to AN13<br>0110: AN0 to AN6         1110: AN8 to AN14<br>0111: AN0 to AN7         1111: AN8 to AN15 |

Legend: ×: Don't care.

Note: \* Only 0 can be written in bit 7, to clear the flag.

### 17.3.3 A/D Control Register (ADCR)

ADCR enables A/D conversion start by an external trigger input.

| Bit  | Bit Name | Initial Value | R/W | Description  |
|------|----------|---------------|-----|--|
| 7    | TRGS1    | 0             | R/W | Timer Trigger Select 1 and 0   |
| 6    | TRGS0    | 0             | R/W | These bits select enabling or disabling of the start of A/D conversion by a trigger signal.<br>00: A/D conversion start by external trigger is disabled<br>01: A/D conversion start by external trigger (TPU) is enabled<br>10: A/D conversion start by external trigger (TMR) is enabled<br>11: A/D conversion start by external trigger pin (ADTRG) is enabled |
| 5    | SCANE    | 0             | R/W | Scan Mode  |
| 4    | SCANS    | 0             | R/W | Selects single mode or scan mode as the A/D conversion operating mode.<br>0x: Single mode<br>10: Scan mode. A/D conversion is performed continuously for channels 1 to 4<br>11: Scan mode. A/D conversion is performed continuously for channels 1 to 8.   |
| 3    | CKS1     | 0             | R/W | Clock Select 1 to 0  |
| 2    | CKS0     | 0             | R/W | Sets the A/D conversion time.<br>Only set bits CKS1 and CKS0 while conversion is stopped (ADST = 0).<br>00: A/D conversion time = 530 states (max)<br>01: A/D conversion time = 266 states (max)<br>10: A/D conversion time = 134 states (max)<br>11: A/D conversion time = 68 states (max)  |
| 1, 0 | —        | All 0         | —   | Reserved<br>These bits are always read as 0 and cannot be modified.  |

Legend: x: Don't care.

## 17.4 Operation

The A/D converter operates by successive approximation with 10-bit resolution. It has two operating modes: single mode and scan mode. When changing the operating mode or analog input channel, to prevent incorrect operation, first clear the bit ADST to 0 in ADCSR to halt A/D conversion. The ADST bit can be set at the same time as the operating mode or analog input channel is changed.

### 17.4.1 Single Mode

In single mode, A/D conversion is to be performed only once on the specified single channel. Operations are as follows.

1. A/D conversion is started when the ADST bit in ADCSR is set to 1, according to the software or external trigger input.
2. When A/D conversion is completed, the result is transferred to the corresponding A/D data register to the channel.
3. On completion of conversion, the ADF bit in ADCSR is set to 1. If the ADIE bit is set to 1 at this time, an ADI interrupt request is generated.
4. The ADST bit remains set to 1 during A/D conversion, and is automatically cleared to 0 when conversion ends. When the ADST bit is cleared to 0 during A/D conversion, A/D conversion stops and the A/D converter enters wait state.

### 17.4.2 Scan Mode

In scan mode, A/D conversion is to be performed sequentially on the specified channels: maximum four channels or maximum eight channels. Operations are as follows.

1. When the ADST bit in ADCSR is set to 1 by a software, TPU or external trigger input, A/D conversion starts on the first channel in the group.  
The consecutive A/D conversion on maximum four channels (SCANE and SCANS = 10) or on maximum eight channels (SCANE and SCANS = 11) can be selected. When the consecutive A/D conversion is performed on the four channels, the A/D conversion starts on AN0 when CH3 and CH2 = 00, AN4 when CH3 and CH2 = 01, AN8 when CH3 and CH2 = 10, or AN12 when CH3 and CH2 = 11. When the consecutive A/D conversion is performed on the eight channels, the A/D conversion starts on AN0 when SH3 = 0 and on AN8 when SH3 = 1.
2. When A/D conversion for each channel is completed, the result is sequentially transferred to the corresponding A/D data register to each channel.

3. When conversion of all the selected channels is completed, the ADF bit in ADCSR is set to 1. If the ADIE bit is set to 1 at this time, an ADI interrupt is requested. Conversion of the first channel in the group starts again.
4. The ADST bit is not cleared automatically, and steps [2] to [3] are repeated as long as the ADST bit remains set to 1. When the ADST bit is cleared to 0, A/D conversion stops and the A/D converter enters wait state. If the ADST bit is later set to 1, A/D conversion starts again from the first channel in the group.

### 17.4.3 Input Sampling and A/D Conversion Time

The A/D converter has a built-in sample-and-hold circuit. The A/D converter samples the analog input when A/D conversion start delay time ( $t_D$ ) passes after the ADST bit is set to 1, then starts conversion. Figure 17.2 shows the A/D conversion timing. Table 17.3 indicates the A/D conversion time.

As indicated in figure 17.2, the A/D conversion time ( $t_{CONV}$ ) includes  $t_D$  and the input sampling time ( $t_{SPL}$ ). The length of  $t_D$  varies depending on the timing of the write access to ADCSR. The total conversion time therefore varies within the ranges indicated in tables 17.3.

In scan mode, the values given in tables 17.3 apply to the first conversion time. The values given in tables 17.4 apply to the second and subsequent conversions.

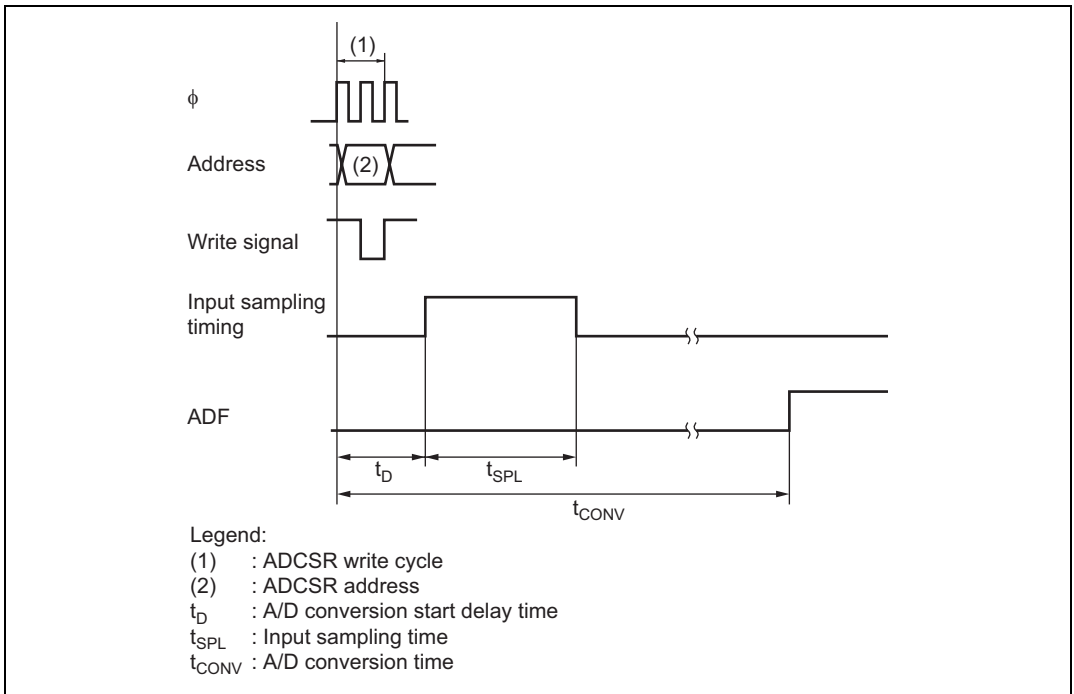


Figure 17.2 A/D Conversion Timing

Table 17.3 A/D Conversion Time (Single Mode)

| Item                            | Symbol     | CKS1 = 0 |     |     |          |     |     | CKS1 = 1 |     |     |          |     |     |
|---------------------------------|------------|----------|-----|-----|----------|-----|-----|----------|-----|-----|----------|-----|-----|
|                                 |            | CKS0 = 0 |     |     | CKS0 = 1 |     |     | CKS0 = 0 |     |     | CKS0 = 1 |     |     |
|                                 |            | Min      | Typ | Max | Min      | Typ | Max | Min      | Typ | Max | Min      | Typ | Max |
| A/D conversion start delay time | $t_D$      | 18       | —   | 33  | 10       | —   | 17  | 6        | —   | 9   | 4        | —   | 5   |
| Input sampling time             | $t_{SPL}$  | —        | 127 | —   | —        | 63  | —   | —        | 31  | —   | —        | 15  | —   |
| A/D conversion time             | $t_{CONV}$ | 515      | —   | 530 | 259      | —   | 266 | 131      | —   | 134 | 67       | —   | 68  |

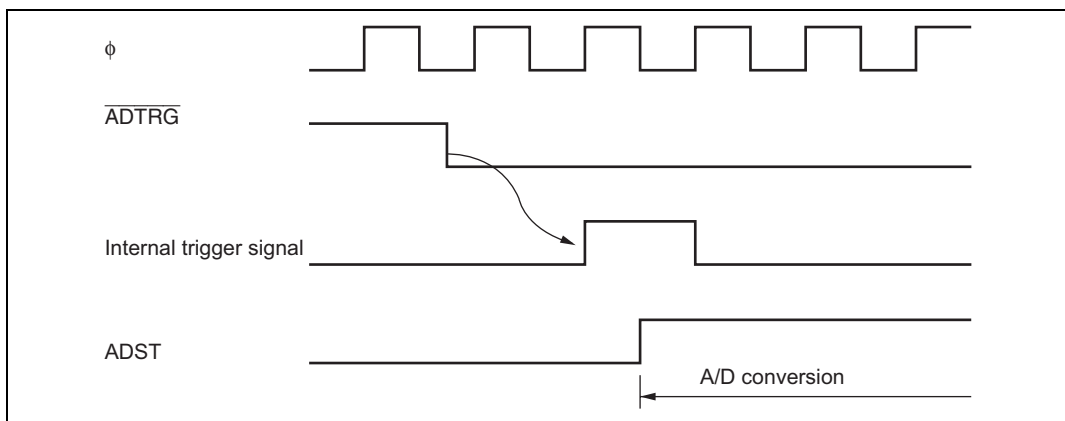
Note: Values in the table are the number of states.

**Table 17.4 A/D Conversion Time (Scan Mode)**

| CKS1 | CKS0 | Conversion Time (State) |
|------|------|-------------------------|
| 0    | 0    | 512 (Fixed)             |
|      | 1    | 256 (Fixed)             |
| 1    | 0    | 128 (Fixed)             |
|      | 1    | 64 (Fixed)              |

### 17.4.4 External Trigger Input Timing

A/D conversion can be externally triggered. When the TRGS1 and TRGS0 bits are set to 11 in ADCR, external trigger input is enabled at the  $\overline{\text{ADTRG}}$  pin. A falling edge at the  $\overline{\text{ADTRG}}$  pin sets the ADST bit to 1 in ADCSR, starting A/D conversion. Other operations, in both single and scan modes, are the same as when the bit ADST has been set to 1 by software. Figure 17.3 shows the timing.

**Figure 17.3 External Trigger Input Timing**

## 17.5 Interrupt Source

The A/D converter generates an A/D conversion end interrupt (ADI) at the end of A/D conversion. Setting the ADIE bit to 1 enables an ADI interrupt requests while the bit ADF in ADCSR is set to 1 after A/D conversion is completed. The DTC or DMAC can be activated by an ADI interrupt. Having the converted data read by the DTC or DMAC in response to an ADI interrupt enables continuous conversion to be achieved without imposing a load on software.

**Table 17.5 A/D Converter Interrupt Source**

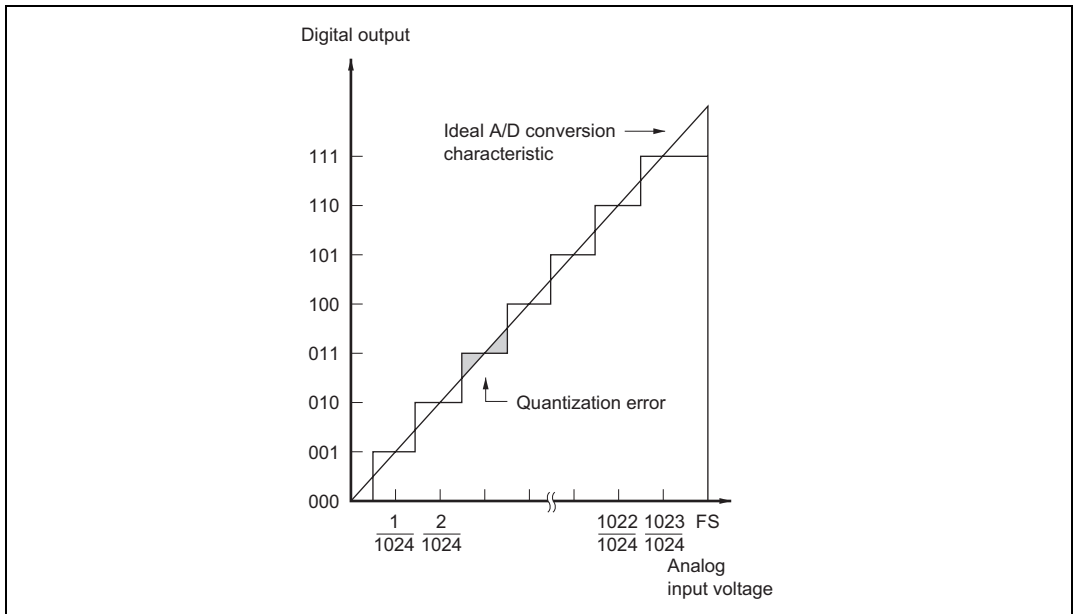
| Name | Interrupt Source  | Interrupt Flag | DTC Activation | DMAC Activation |
|------|-------------------|----------------|----------------|-----------------|
| ADI  | End of conversion | ADF            | Possible       | Possible        |

## 17.6 A/D Conversion Accuracy Definitions

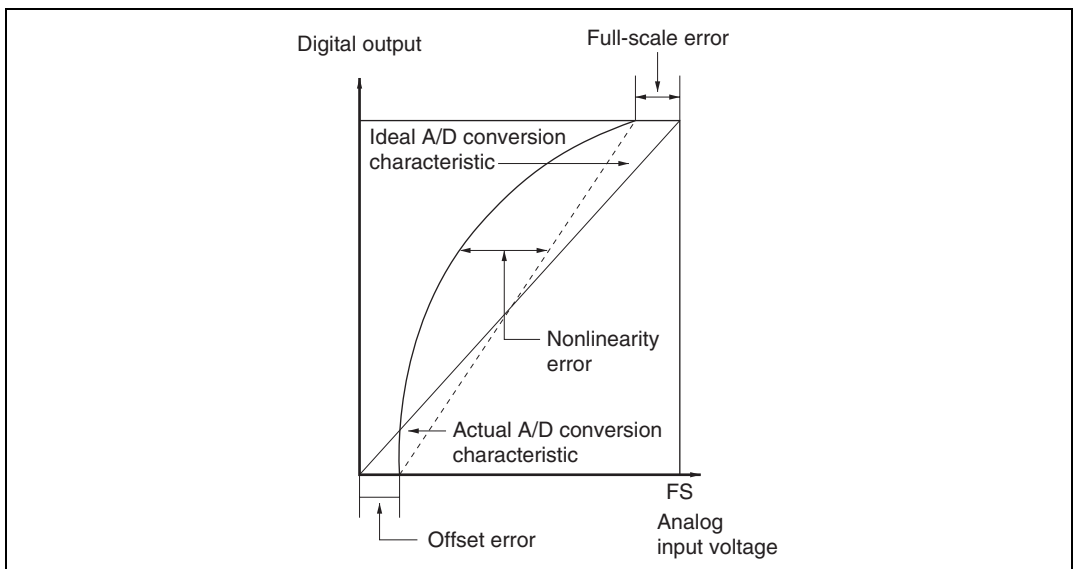
This LSI's A/D conversion accuracy definitions are given below.

- Resolution  
The number of A/D converter digital output codes
- Quantization error  
The deviation inherent in the A/D converter, given by 1/2 LSB (see figure 17.4).
- Offset error  
The deviation of the analog input voltage value from the ideal A/D conversion characteristic when the digital output changes from the minimum voltage value B'0000000000 (H'000) to B'0000000001 (H'001) (see figure 17.5).
- Full-scale error  
The deviation of the analog input voltage value from the ideal A/D conversion characteristic when the digital output changes from B'1111111110 (H'3FE) to B'1111111111 (H'3FF) (see figure 17.5).
- Nonlinearity error  
The error with respect to the ideal A/D conversion characteristic between the zero voltage and the full-scale voltage. Does not include the offset error, full-scale error, or quantization error (see figure 17.5).
- Absolute precision  
The deviation between the digital value and the analog input value. Includes the offset error, full-scale error, quantization error, and nonlinearity error.





**Figure 17.4 A/D Conversion Accuracy Definitions**



**Figure 17.5 A/D Conversion Accuracy Definitions**

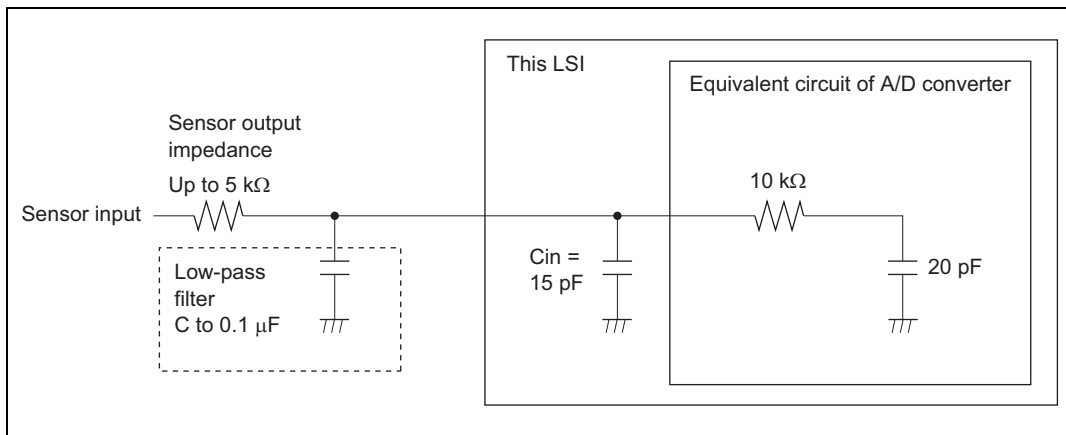
## 17.7 Usage Notes

### 17.7.1 Module Stop Mode Setting

Operation of the A/D converter can be disabled or enabled using the module stop control register. The initial setting is for operation of the A/D converter to be halted. Register access is enabled by clearing module stop mode. For details, refer to section 24, Power-Down Modes.

### 17.7.2 Permissible Signal Source Impedance

This LSI's analog input is designed so that conversion precision is guaranteed for an input signal for which the signal source impedance is  $5\text{ k}\Omega$  or less. This specification is provided to enable the A/D converter's sample-and-hold circuit input capacitance to be charged within the sampling time; if the sensor output impedance exceeds  $5\text{ k}\Omega$ , charging may be insufficient and it may not be possible to guarantee the A/D conversion accuracy. However, if a large capacitance is provided externally for conversion in single mode, the input load will essentially comprise only the internal input resistance of  $10\text{ k}\Omega$ , and the signal source impedance is ignored. However, since a low-pass filter effect is obtained in this case, it may not be possible to follow an analog signal with a large differential coefficient (e.g.,  $5\text{ mV}/\mu\text{s}$  or greater) (see figure 17.6). When converting a high-speed analog signal or conversion in scan mode, a low-impedance buffer should be inserted.



**Figure 17.6 Example of Analog Input Circuit**

### 17.7.3 Influences on Absolute Precision

Adding capacitance results in coupling with GND, and therefore noise in GND may adversely affect absolute precision. Be sure to make the connection to an electrically stable GND such as AVss.

Care is also required to insure that filter circuits do not communicate with digital signals on the mounting board, so acting as antennas.

### 17.7.4 Setting Range of Analog Power Supply and Other Pins

If conditions shown below are not met, the reliability of the device may be adversely affected.

- Analog input voltage range

The voltage applied to analog input pin ANn during A/D conversion should be in the range  $AV_{ss} \leq AV_n \leq V_{ref}$ .

- Relation between AVcc, AVss and Vcc, Vss

As the relationship between AVcc, AVss and Vcc, Vss, set  $AV_{cc} \geq V_{cc}$  and  $AV_{ss} = V_{ss}$ . If the A/D converter is not used, the AVcc and AVss pins must not be left open.

- Vref setting range

The reference voltage at the Vref pin should be set in the range  $V_{ref} \leq AV_{cc}$ .

### 17.7.5 Notes on Board Design

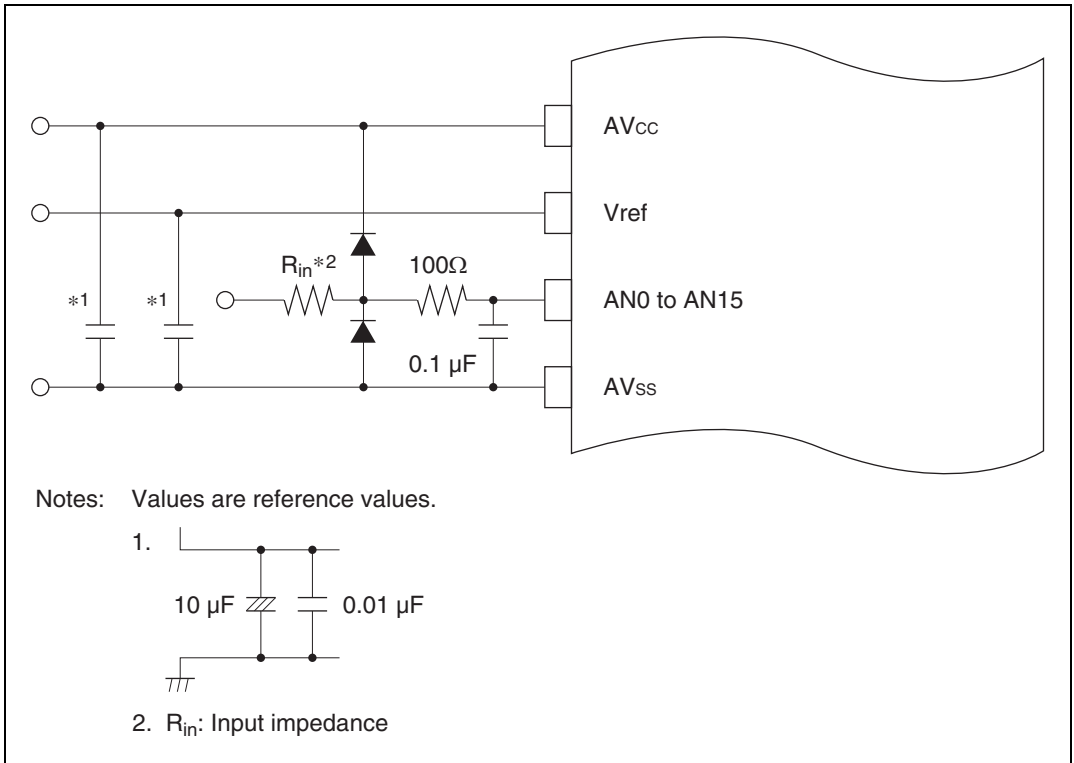
In board design, digital circuitry and analog circuitry should be as mutually isolated as possible, and layout in which digital circuit signal lines and analog circuit signal lines cross or are in close proximity should be avoided as far as possible. Failure to do so may result in incorrect operation of the analog circuitry due to inductance, adversely affecting A/D conversion values.

Also, digital circuitry must be isolated from the analog input signals (AN0 to AN15), analog reference power supply (Vref), and analog power supply (AVcc) by the analog ground (AVss). Also, the analog ground (AVss) should be connected at one point to a stable digital ground (Vss) on the board.

### 17.7.6 Notes on Noise Countermeasures

A protection circuit connected to prevent damage due to an abnormal voltage such as an excessive surge at the analog input pins (AN0 to AN15) should be connected between AVcc and AVss as shown in figure 17.7. Also, the bypass capacitors connected to AVcc and the filter capacitor connected to AN0 to AN15 must be connected to AVss.

If a filter capacitor is connected, the input currents at the analog input pins (AN0 to AN15) are averaged, and so an error may arise. Also, when A/D conversion is performed frequently, as in scan mode, if the current charged and discharged by the capacitance of the sample-and-hold circuit in the A/D converter exceeds the current input via the input impedance ( $R_{in}$ ), an error will arise in the analog input pin voltage. Careful consideration is therefore required when deciding the circuit constants.



**Figure 17.7 Example of Analog Input Protection Circuit**

**Table 17.6 Analog Pin Specifications**

| Item                                | Min | Max | Unit       |
|-------------------------------------|-----|-----|------------|
| Analog input capacitance            | —   | 20  | pF         |
| Permissible signal source impedance | —   | 10  | k $\Omega$ |

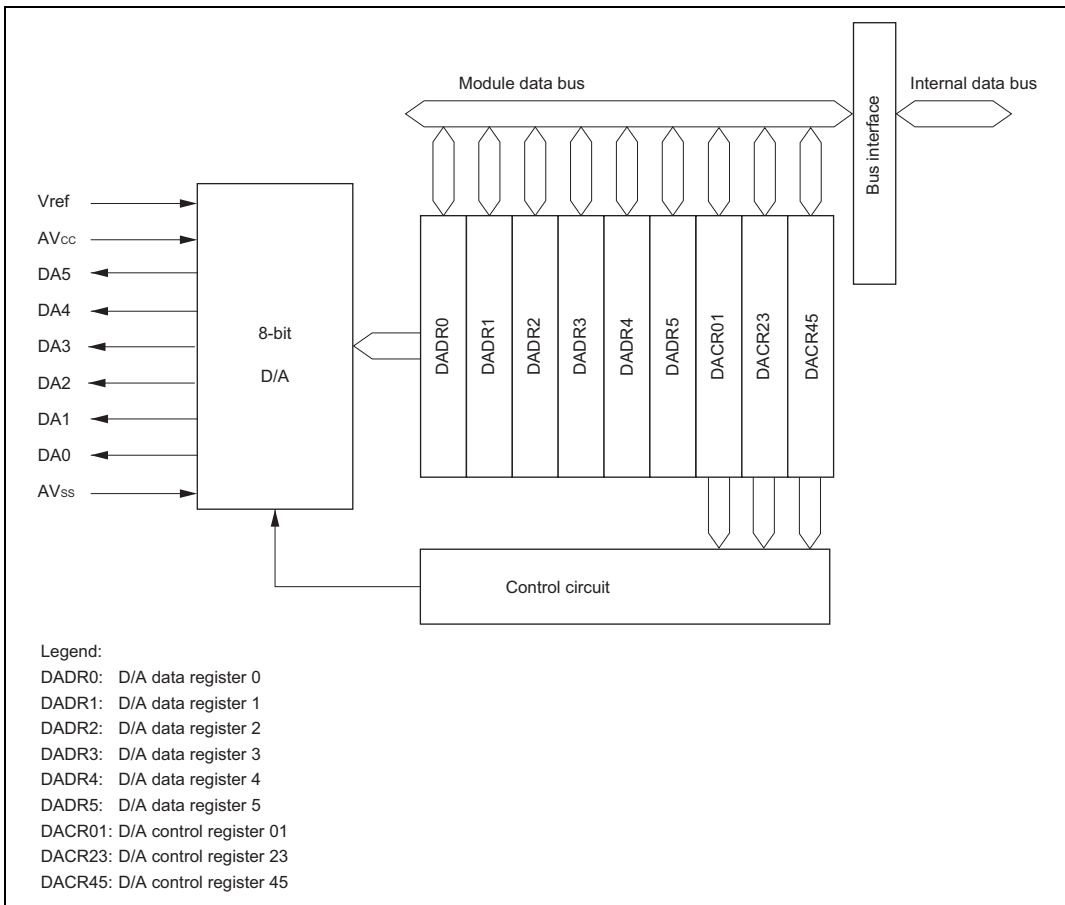
---

## Section 18 D/A Converter

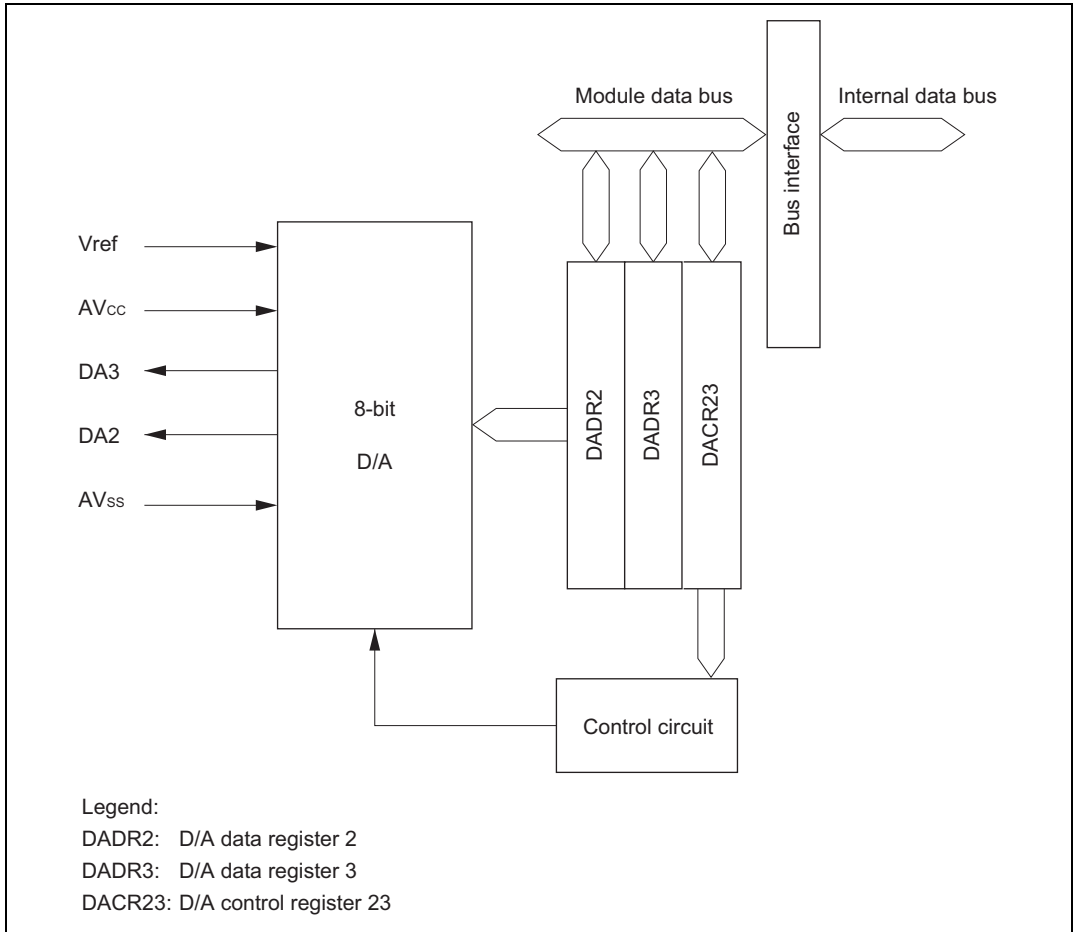
### 18.1 Features

D/A converter features are listed below.

- 8-bit resolution
- Output channels:
  - Six channels for the H8S/2378 0.18 $\mu$ m F-ZTAT Group, H8S/2378R 0.18 $\mu$ m F-ZTAT Group, H8S/2377, and H8S/2377R
  - Two channels for the H8S/2375, H8S/2375R, H8S/2373, and H8S/2373R
- Maximum conversion time of 10  $\mu$ s (with 20 pF load)
- Output voltage of 0 V to Vref
- D/A output hold function in software standby mode
- Setting the module stop mode



**Figure 18.1 Block Diagram of D/A Converter for H8S/2378 0.18µm F-ZTAT Group, H8S/2378R 0.18µm F-ZTAT Group, H8S/2377, and H8S/2377R**



**Figure 18.2 Block Diagram of D/A Converter for H8S/2375, H8S/2375R, H8S/2373, and H8S/2373R**

## 18.2 Input/Output Pins

Table 18.1 shows the pin configuration of the D/A converter.

**Table 18.1 Pin Configuration**

| Pin Name              | Symbol    | I/O    | Function                           |
|-----------------------|-----------|--------|------------------------------------|
| Analog power pin      | $AV_{CC}$ | Input  | Analog power                       |
| Analog ground pin     | $AV_{SS}$ | Input  | Analog ground                      |
| Reference voltage pin | $V_{ref}$ | Input  | Reference voltage of D/A converter |
| Analog output pin 0*  | DA0       | Output | Channel 0 analog output            |
| Analog output pin 1*  | DA1       | Output | Channel 1 analog output            |
| Analog output pin 2   | DA2       | Output | Channel 2 analog output            |
| Analog output pin 3   | DA3       | Output | Channel 3 analog output            |
| Analog output pin 4*  | DA4       | Output | Channel 4 analog output            |
| Analog output pin 5*  | DA5       | Output | Channel 5 analog output            |

Note: \* Not available for the H8S/2375, H8S/2375R, H8S/2373, and H8S/2373R.



## 18.3 Register Descriptions

The D/A converter has the following registers.

- D/A data register 0 (DADR0)\*
- D/A data register 1 (DADR1)\*
- D/A data register 2 (DADR2)
- D/A data register 3 (DADR3)
- D/A data register 4 (DADR4)\*
- D/A data register 5 (DADR5)\*
- D/A control register 01 (DACR01)\*
- D/A control register 23 (DACR23)
- D/A control register 45 (DACR45)\*

Note: \* Not supported by the H8S/2375, H8S/2375R, H8S/2373, and H8S/2373R.

### 18.3.1 D/A Data Registers 0 to 5 (DADR0 to DADR5)

DADR0 to DADR5 are 8-bit readable/writable registers that store data for conversion.

Whenever output is enabled, the values in DADR are converted and output to the analog output pins.

When the H8S/2375, H8S/2375R, H8S/2373, or H8S/2373R is in use, the registers which are not supported must not be accessed.

### 18.3.2 D/A Control Registers 01, 23, and 45 (DACR01, DACR23, DACR45)

DACR01, DACR23, and DACR45 control the operation of the D/A converter. DACR01, DACR23, and DACR45 control the operation of channels 0 and 1, channels 2 and 3, and channels 4 and 5, respectively.

- DACR01 (Available only for the H8S/2377, H8S/2377R, H8S/2378 0.18 $\mu$ m F-ZTAT Group, and H8S/2378R 0.18 $\mu$ m F-ZTAT Group)

| Bit    | Bit Name | Initial Value | R/W | Description  |
|--------|----------|---------------|-----|--|
| 7      | DAOE1    | 0             | R/W | D/A Output Enable 1<br>Controls D/A conversion and analog output.<br>0: Analog output (DA1) is disabled<br>1: Channel 1 D/A conversion is enabled; analog output (DA1) is enabled  |
| 6      | DAOE0    | 0             | R/W | D/A Output Enable 0<br>Controls D/A conversion and analog output.<br>0: Analog output (DA0) is disabled<br>1: Channel 0 D/A conversion is enabled; analog output (DA0) is enabled  |
| 5      | DAE      | 0             | R/W | D/A Enable<br>Used together with the DAOE0 and DAOE1 bits to control D/A conversion. When the DAE bit is cleared to 0, channel 0 and 1 D/A conversions are controlled independently. When the DAE bit is set to 1, channel 0 and 1 D/A conversions are controlled together.<br>Output of conversion results is always controlled independently by the DAOE0 and DAOE1 bits. For details, see table 18.2. |
| 4 to 0 | —        | All 1         | —   | Reserved<br>These bits are always read as 1 and cannot be modified.  |

**Table 18.2 Control of D/A Conversion**

| Bit 5<br>DAE | Bit 7<br>DAOE1 | Bit 6<br>DAOE0 | Description  |
|--------------|----------------|----------------|--|
| 0            | 0              | 0              | D/A conversion disabled  |
|              |                | 1              | Channel 0 D/A conversion enabled, channel1 D/A conversion disabled |
|              | 1              | 0              | Channel 1 D/A conversion enabled, channel0 D/A conversion disabled |
|              |                | 1              | Channel 0 and 1 D/A conversions enabled                            |
| 1            | 0              | 0              | D/A conversion disabled  |
|              |                | 1              | Channel 0 and 1 D/A conversions enabled                            |
|              | 1              | 0              |  |
|              |                | 1              |  |

- DACR23

| Bit    | Bit Name | Initial Value | R/W | Description  |
|--------|----------|---------------|-----|--|
| 7      | DAOE3    | 0             | R/W | D/A Output Enable 3<br>Controls D/A conversion and analog output.<br>0: Analog output (DA3) is disabled<br>1: Channel 3 D/A conversion is enabled; analog output (DA3) is enabled  |
| 6      | DAOE2    | 0             | R/W | D/A Output Enable 2<br>Controls D/A conversion and analog output.<br>0: Analog output (DA2) is disabled<br>1: Channel 2 D/A conversion is enabled; analog output (DA2) is enabled  |
| 5      | DAE      | 0             | R/W | D/A Enable<br>Used together with the DAOE2 and DAOE3 bits to control D/A conversion. When the DAE bit is cleared to 0, channel 2 and 3 D/A conversions are controlled independently. When the DAE bit is set to 1, channel 2 and 3 D/A conversions are controlled together.<br>Output of conversion results is always controlled independently by the DAOE2 and DAOE3 bits. For details, see table 18.3. |
| 4 to 0 | —        | All 1         | —   | Reserved<br>These bits are always read as 1 and cannot be modified.  |

**Table 18.3 Control of D/A Conversion**

| Bit 5<br>DAE | Bit 7<br>DAOE3 | Bit 6<br>DAOE2 | Description  |
|--------------|----------------|----------------|--|
| 0            | 0              | 0              | D/A conversion disabled  |
|              |                | 1              | Channel 2 D/A conversion enabled, channel3 D/A conversion disabled |
|              | 1              | 0              | Channel 3 D/A conversion enabled, channel2 D/A conversion disabled |
|              |                | 1              | Channel 2 and 3 D/A conversions enabled                            |
| 1            | 0              | 0              | D/A conversion disabled  |
|              |                | 1              | Channel 2 and 3 D/A conversions enabled                            |
|              | 1              | 0              |  |
|              |                | 1              |  |

- DACR45 (Available only for the H8S/2377, H8S/2377R, H8S/2378 0.18 $\mu$ m F-ZTAT Group, and H8S/2378R 0.18 $\mu$ m F-ZTAT Group)

| Bit    | Bit Name | Initial Value | R/W | Description  |
|--------|----------|---------------|-----|--|
| 7      | DAOE4    | 0             | R/W | D/A Output Enable 5<br>Controls D/A conversion and analog output.<br>0: Analog output (DA5) is disabled<br>1: Channel 5 D/A conversion is enabled; analog output (DA5) is enabled  |
| 6      | DAOE5    | 0             | R/W | D/A Output Enable 4<br>Controls D/A conversion and analog output.<br>0: Analog output (DA4) is disabled<br>1: Channel 4 D/A conversion is enabled; analog output (DA4) is enabled  |
| 5      | DAE      | 0             | R/W | D/A Enable<br>Used together with the DAOE4 and DAOE5 bits to control D/A conversion. When the DAE bit is cleared to 0, channel 4 and 5 D/A conversions are controlled independently. When the DAE bit is set to 1, channel 4 and 5 D/A conversions are controlled together.<br>Output of conversion results is always controlled independently by the DAOE4 and DAOE5 bits. For details, see table 18.4. |
| 4 to 0 | —        | All 1         | —   | Reserved<br>These bits are always read as 1 and cannot be modified.  |

**Table 18.4 Control of D/A Conversion**

| Bit 5<br>DAE | Bit 7<br>DAOE5 | Bit 6<br>DAOE4 | Description  |
|--------------|----------------|----------------|--|
| 0            | 0              | 0              | D/A conversion disabled  |
|              |                | 1              | Channel 4 D/A conversion enabled, channel5 D/A conversion disabled |
|              | 1              | 0              | Channel 5 D/A conversion enabled, channel4 D/A conversion disabled |
|              |                | 1              | Channel 4 and 5 D/A conversions enabled                            |
| 1            | 0              | 0              | D/A conversion disabled  |
|              |                | 1              | Channel 4 and 5 D/A conversions enabled                            |
|              | 1              | 0              |  |
|              |                | 1              |  |

## 18.4 Operation

The D/A converter includes D/A conversion circuits for six channels\*<sup>1</sup>, each of which can operate independently.

When DAOE bit in DACR01\*<sup>2</sup>, DACR23, or DACR45\*<sup>3</sup> is set to 1, D/A conversion is enabled and the conversion result is output.

The operation example concerns D/A conversion on channel 2. Figure 18.4 shows the timing of this operation.

[1] Write the conversion data to DADR2.

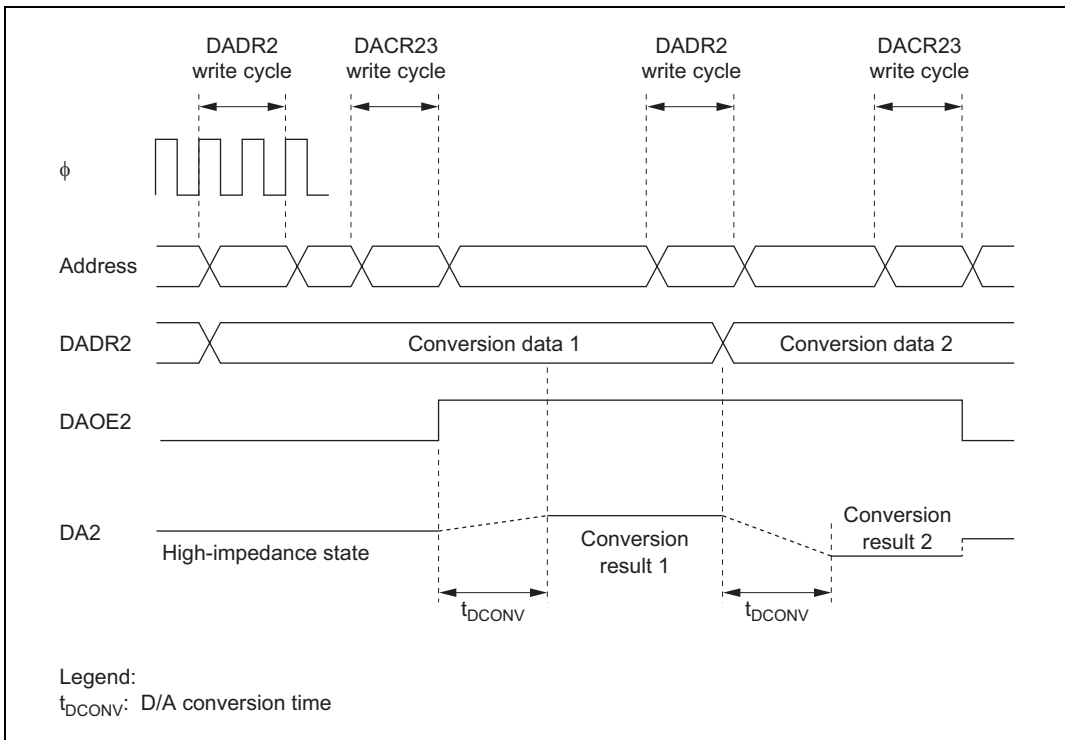
[2] Set the DAOE2 bit in DACR23 to 1. D/A conversion is started. The conversion result is output from the analog output pin DA2 after the conversion time  $t_{\text{DCONV}}$  has elapsed. The conversion result is continued to output until DADR2 is written to again or the DAOE2 bit is cleared to 0. The output value is expressed by the following formula:

$$\frac{\text{DADR contents}}{256} \times V_{\text{ref}}$$

[3] If DADR2 is written to again, the conversion is immediately started. The conversion result is output after the conversion time  $t_{\text{DCONV}}$  has elapsed.

[4] If the DAOE2 bit is cleared to 0, analog output is disabled.

- Notes:
1. Two channels are available for the H8S/2375, H8S/2375R, H8S/2373, and H8S/2373R.
  2. Not supported by the H8S/2375, H8S/2375R, H8S/2373, and H8S/2373R.
  3. Not supported by the H8S/2375, H8S/2375R, H8S/2373, and H8S/2373R.



**Figure 18.3 Example of D/A Converter Operation**

## 18.5 Usage Notes

### 18.5.1 Setting for Module Stop Mode

It is possible to enable/disable the D/A converter operation using the module stop control register, the D/A converter does not operate by the initial value of the register. The register can be accessed by releasing the module stop mode. For details, see section 24, Power-Down Modes.

### 18.5.2 D/A Output Hold Function in Software Standby Mode

If D/A conversion is enabled and this LSI enters software standby mode, D/A output is held and analog power supply current remains at the same level during D/A conversion. When the analog power supply current is required to go low in software standby mode, bits DAOE and DAE should be cleared to 0, and D/A output should be disabled.

## Section 19 RAM

This LSI has an on-chip high-speed static RAM. The RAM is connected to the CPU by a 16-bit data bus, enabling one-state access by the CPU to both byte data and word data.

The on-chip RAM can be enabled or disabled by means of the RAME bit in the system control register (SYSCR). For details on the system control register (SYSCR), refer to section 3.2.2, System Control Register (SYSCR).

| Part No.  |            | ROM Type             | RAM Capacity | RAM Address          |
|-----------|------------|----------------------|--------------|----------------------|
| H8S/2378  | HD64F2378B | Flash memory version | 32 kbytes    | H'FF4000 to H'FFBFFF |
| H8S/2378R | HD64F2378R |                      |              |                      |
| H8S/2377  | HD64F2377  |                      | 24 kbytes    | H'FF6000 to H'FFBFFF |
| H8S/2377R | HD64F2377R |                      |              |                      |
| H8S/2374  | HD64F2374  |                      | 32 kbytes    | H'FF4000 to H'FFBFFF |
| H8S/2374R | HD64F2374R |                      |              |                      |
| H8S/2372  | HD64F2372  |                      |              |                      |
| H8S/2372R | HD64F2372R |                      |              |                      |
| H8S/2371  | HD64F2371  |                      | 24 kbytes    | H'FF6000 to H'FFBFFF |
| H8S/2371R | HD64F2371R |                      |              |                      |
| H8S/2370  | HD64F2370  |                      | 16 kbytes    | H'FF8000 to H'FFBFFF |
| H8S/2370R | HD64F2370R |                      |              |                      |
| H8S/2375  | HD6432375  | Masked ROM version   | 16 kbytes    | H'FF8000 to H'FFBFFF |
| H8S/2375R | HD6432375R |                      |              |                      |
| H8S/2373  | HD6412373  | ROMless version      | 16 kbytes    | H'FF8000 to H'FFBFFF |
| H8S/2373R | HD6412373R |                      |              |                      |





## Section 20 Flash Memory (0.35- $\mu$ m F-ZTAT Version)

The features of the flash memory included in the flash memory version are summarized below. The block diagram of the flash memory is shown in figure 20.1.

### 20.1 Features

- Size

| Product Classification |            | ROM Size   | ROM Address                              |
|------------------------|------------|------------|--|
| H8S/2377               | HD64F2377  | 384 kbytes | H'000000 to H'05FFFF (Modes 3, 4, and 7) |
| H8S/2377R              | HD64F2377R |            |  |

- Programming/erase methods

The flash memory is programmed 128 bytes at a time. Erase is performed in single-block units. The flash memory of 384 kbytes is configured as follows: 64 kbytes  $\times$  5 blocks, 32 kbytes  $\times$  1 block, and 4 kbytes  $\times$  8 blocks. To erase the entire flash memory, each block must be erased in turn.

- Reprogramming capability

The flash memory can be reprogrammed up to 100 times.

- Two on-board programming modes

Boot mode

User program mode

On-board programming/erasing can be done in boot mode in which the on-chip boot program is started for erase or programming of the entire flash memory. In normal user program mode, individual blocks can be erased or programmed.

- Programmer mode

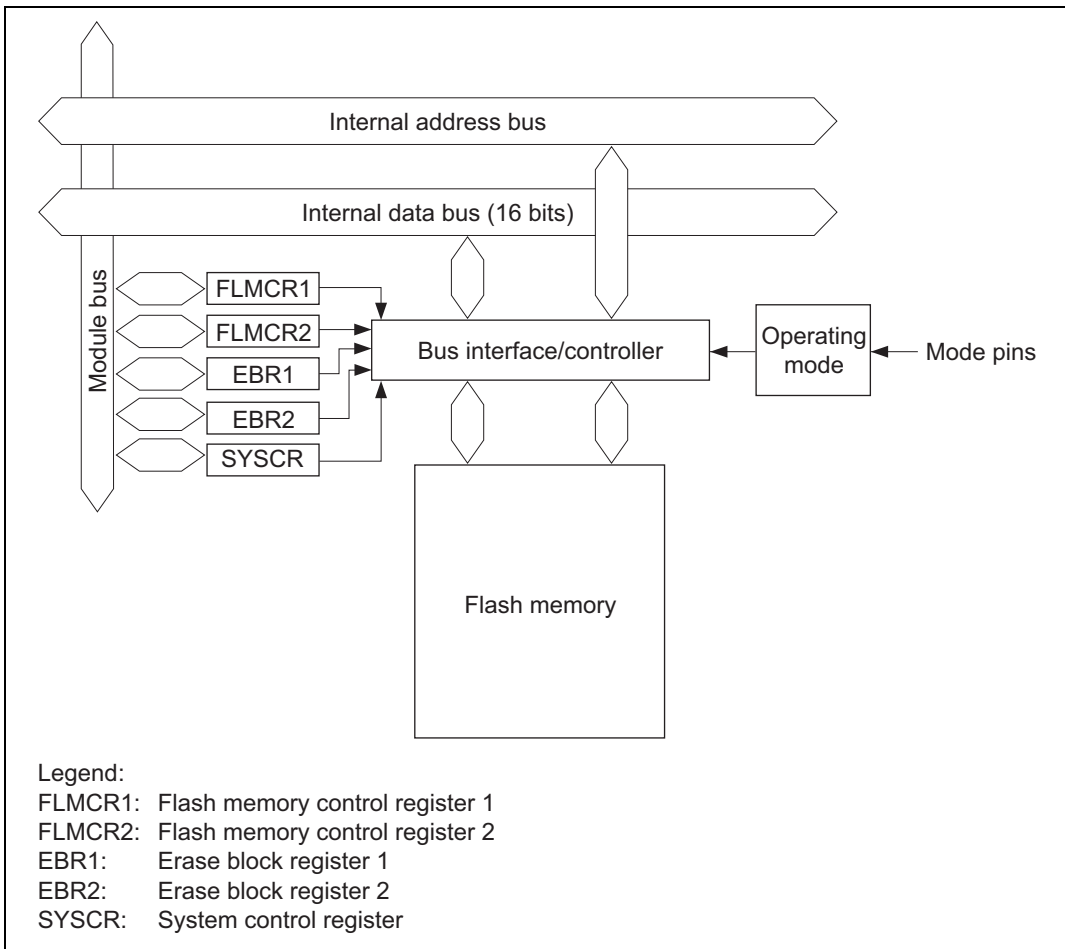
Flash memory can be programmed/erased in programmer mode, using a PROM programmer, as well as in on-board programming mode.

- Automatic bit rate adjustment

With data transfer in boot mode, the bit rate of this LSI can be automatically adjusted to match the transfer bit rate of the host.

- Programming/erasing protection

There are three protect modes, hardware, software, and error protect, which allow protected status to be designated for flash memory program/erase operations.



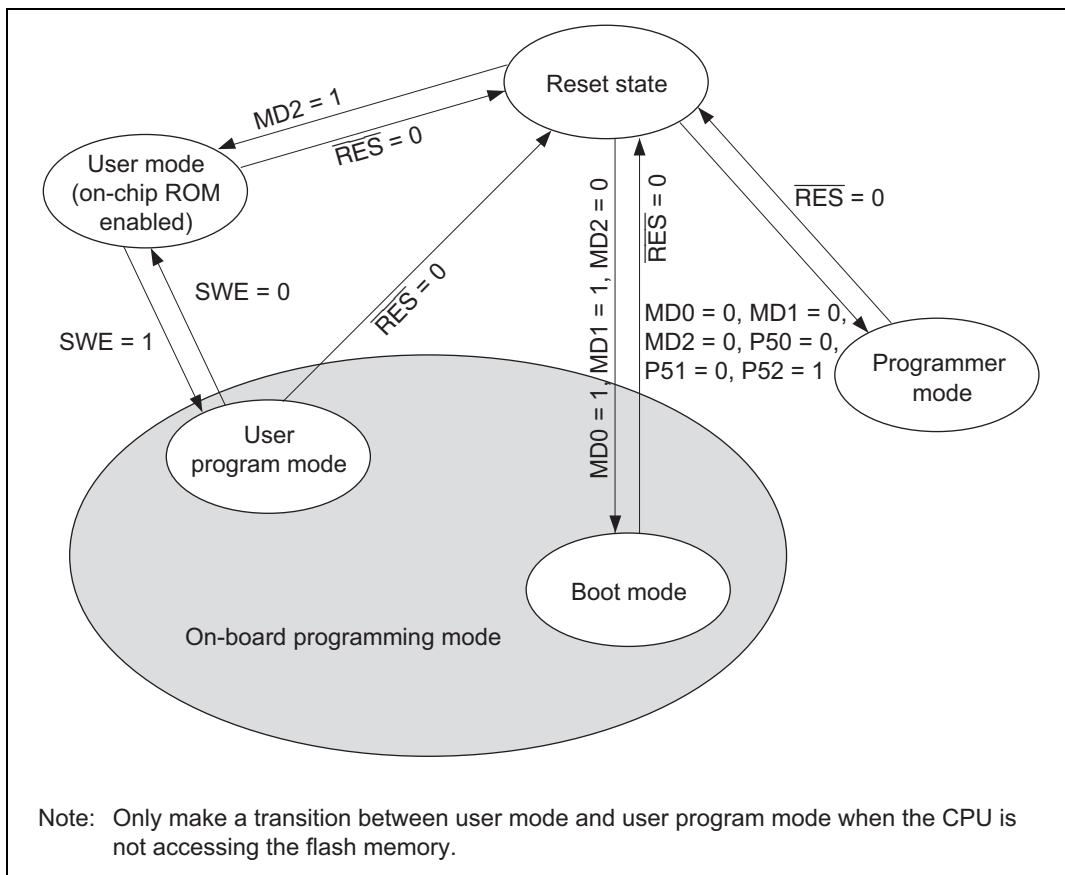
**Figure 20.1 Block Diagram of Flash Memory**

## 20.2 Mode Transitions

When the mode pins are set in the reset state and a reset-start is executed, this LSI enters an operating mode as shown in figure 20.2. In user mode, flash memory can be read but not programmed or erased.

The boot, user program and programmer modes are provided as modes to write and erase the flash memory.

The differences between boot mode and user program mode are shown in table 20.1. Figure 20.3 shows boot mode. Figure 20.4 shows user program mode.



**Figure 20.2 Flash Memory State Transitions**

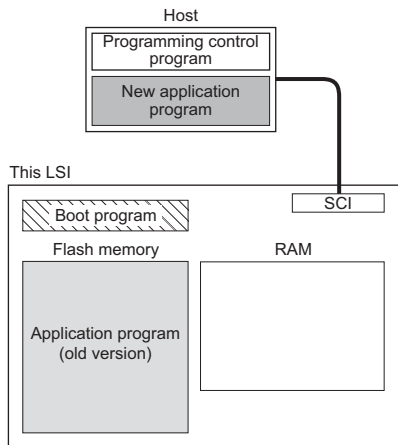
**Table 20.1 Differences between Boot Mode and User Program Mode**

|                              | <b>Boot Mode</b>       | <b>User Program Mode</b>                  |
|------------------------------|------------------------|---|
| Total erase                  | Yes                    | Yes                                       |
| Block erase                  | No                     | Yes                                       |
| Programming control program* | Program/program-verify | Erase/erase-verify/program/program-verify |

Note: \* To be provided by the user, in accordance with the recommended algorithm.

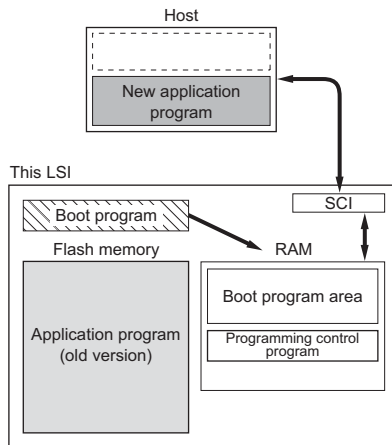
## 1. Initial state

The old program version or data remains written in the flash memory. The user should prepare the programming control program and new application program beforehand in the host.



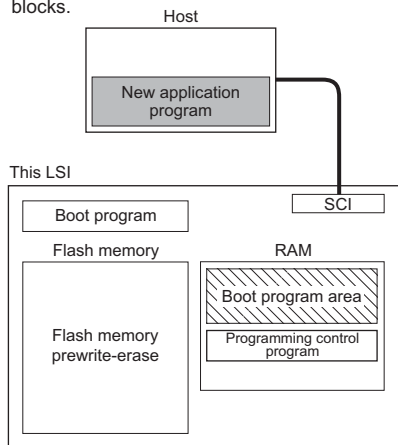
## 2. Programming control program transfer

When boot mode is entered, the boot program in the chip (originally incorporated in the chip) is started and the programming control program in the host is transferred to RAM via SCI communication. The boot program required for flash memory erasing is automatically transferred to the RAM boot program area.



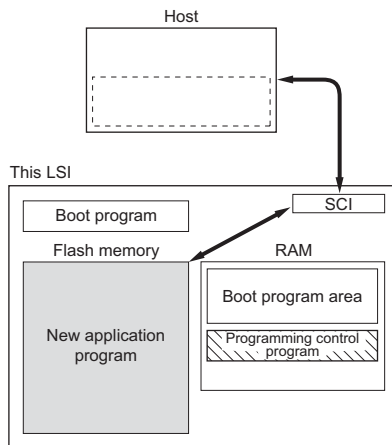
## 3. Flash memory initialization


The erase program in the boot program area (in RAM) is executed, and the flash memory is initialized (to H'FF). In boot mode, entire flash memory erasure is performed, without regard to blocks.



## 4. Writing new application program

The programming control program transferred from the host to RAM is executed, and the new application program in the host is written into the flash memory.

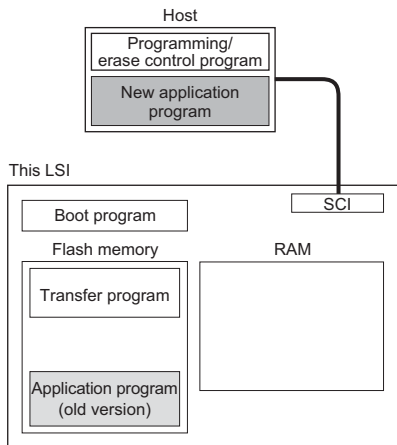


 Program execution state

**Figure 20.3 Boot Mode**

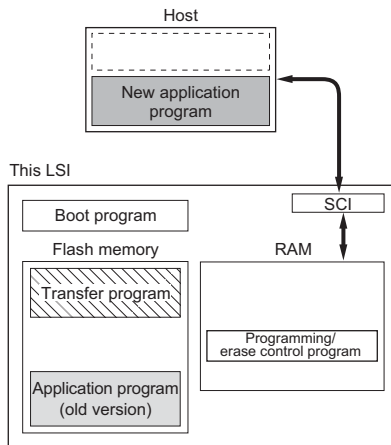
## 1. Initial state

(1) the program that will transfer the programming/ erase control program to on-chip RAM should be written into the flash memory by the user beforehand. (2) The programming/erase control program should be prepared in the host or in the flash memory.



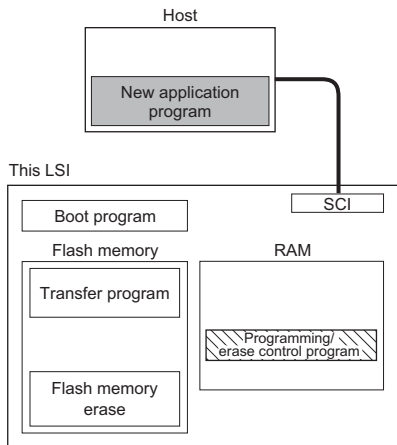
## 2. Programming/erase control program transfer

When user program mode is entered, user software confirms this fact, executes the transfer program in the flash memory, and transfers the programming/erase control program to RAM.



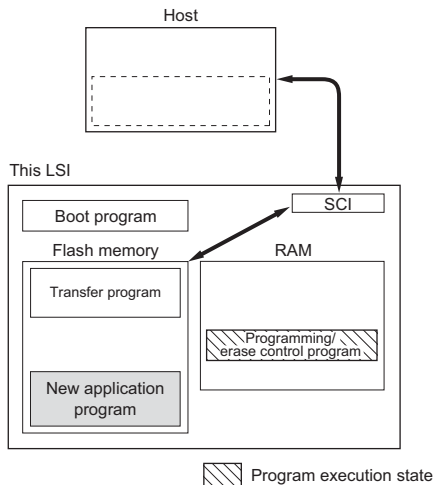
## 3. Flash memory initialization

The programming/erase program in RAM is executed, and the flash memory is initialized (to H'FF). Erasing can be performed in block units, but not in byte units.



## 4. Writing new application program

Next, the new application program in the host is written into the erased flash memory blocks. Do not write to unerased blocks.



**Figure 20.4 User Program Mode**

### 20.3 Block Configuration

Figure 20.5 shows the block configuration of 384-kbyte flash memory. The thick lines indicate erasing units, the narrow lines indicate programming units, and the values are addresses. The 384-kbyte flash memory is divided into 64 kbytes (5 blocks), 32 kbytes (1 block), and 4 kbytes (8 blocks). Erasing is performed in these divided units. Programming is performed in 128-byte units starting from an address whose lower eight bits are H'00 or H'80.

|                                 |          |          |          |                                 |          |
|---------------------------------|----------|----------|----------|---------------------------------|----------|
| EB0<br>Erase unit<br>4 kbytes   | H'000000 | H'000001 | H'000002 | ← Programming unit: 128 bytes → | H'00007F |
|                                 |          |          |          |                                 | H'000FFF |
|                                 |          |          |          |                                 |          |
| EB1<br>Erase unit<br>4 kbytes   | H'001000 | H'001001 | H'001002 | ← Programming unit: 128 bytes → | H'00107F |
|                                 |          |          |          |                                 | H'001FFF |
|                                 |          |          |          |                                 |          |
| EB2<br>Erase unit<br>4 kbytes   | H'002000 | H'002001 | H'002002 | ← Programming unit: 128 bytes → | H'00207F |
|                                 |          |          |          |                                 | H'002FFF |
|                                 |          |          |          |                                 |          |
| EB3<br>Erase unit<br>4 kbytes   | H'003000 | H'003001 | H'003002 | ← Programming unit: 128 bytes → | H'00307F |
|                                 |          |          |          |                                 | H'003FFF |
|                                 |          |          |          |                                 |          |
| EB4<br>Erase unit<br>4 kbytes   | H'004000 | H'004001 | H'004002 | ← Programming unit: 128 bytes → | H'00407F |
|                                 |          |          |          |                                 |          |
|                                 |          |          |          |                                 |          |
| EB7<br>Erase unit<br>4 kbytes   | H'007000 | H'007001 | H'007002 | ← Programming unit: 128 bytes → | H'00707F |
|                                 |          |          |          |                                 | H'007FFF |
|                                 |          |          |          |                                 |          |
| EB8<br>Erase unit<br>32 kbytes  | H'008000 | H'008001 | H'008002 | ← Programming unit: 128 bytes → | H'00807F |
|                                 |          |          |          |                                 | H'00FFFF |
|                                 |          |          |          |                                 |          |
| EB9<br>Erase unit<br>64 kbytes  | H'010000 | H'010001 | H'010002 | ← Programming unit: 128 bytes → | H'01007F |
|                                 |          |          |          |                                 | H'01FFFF |
|                                 |          |          |          |                                 |          |
| EB10<br>Erase unit<br>64 kbytes | H'020000 | H'020001 | H'020002 | ← Programming unit: 128 bytes → | H'02007F |
|                                 |          |          |          |                                 | H'02FFFF |
|                                 |          |          |          |                                 |          |
| EB11<br>Erase unit<br>64 kbytes | H'030000 | H'030001 | H'030002 | ← Programming unit: 128 bytes → | H'03007F |
|                                 |          |          |          |                                 | H'03FFFF |
|                                 |          |          |          |                                 |          |
| EB12<br>Erase unit<br>64 kbytes | H'040000 | H'040001 | H'040002 | ← Programming unit: 128 bytes → | H'04007F |
|                                 |          |          |          |                                 | H'04FFFF |
|                                 |          |          |          |                                 |          |
| EB13<br>Erase unit<br>64 kbytes | H'050000 | H'050001 | H'050002 | ← Programming unit: 128 bytes → | H'05007F |
|                                 |          |          |          |                                 | H'05FFFF |
|                                 |          |          |          |                                 |          |

Figure 20.5 384-kbyte Flash Memory Block Configuration (Modes 3, 4, and 7)

## 20.4 Input/Output Pins

Table 20.2 shows the pin configuration of the flash memory.

**Table 20.2 Pin Configuration**

| Pin Name                | I/O    | Function                               |
|-------------------------|--------|--|
| $\overline{\text{RES}}$ | Input  | Reset                                  |
| MD2                     | Input  | Sets this LSI's operating mode         |
| MD1                     | Input  | Sets this LSI's operating mode         |
| MD0                     | Input  | Sets this LSI's operating mode         |
| P52                     | Input  | Sets operating mode in programmer mode |
| P51                     | Input  | Sets operating mode in programmer mode |
| P50                     | Input  | Sets operating mode in programmer mode |
| TxD1                    | Output | Serial transmit data output            |
| RxD1                    | Input  | Serial receive data input              |

## 20.5 Register Descriptions

The flash memory has the following registers. For details on the system control register, refer to section 3.2.2, System Control Register (SYSCR).

- Flash memory control register 1 (FLMCR1)
- Flash memory control register 2 (FLMCR2)
- Erase block register 1 (EBR1)
- Erase block register 2 (EBR2)

### 20.5.1 Flash Memory Control Register 1 (FLMCR1)

FLMCR1 is a register that makes the flash memory transit to program mode, program-verify mode, erase mode, or erase-verify mode. For details on register setting, refer to section 20.7, Flash Memory Programming/Erasing.



| Bit | Bit Name | Initial Value | R/W | Description  |
|-----|----------|---------------|-----|--|
| 7   | —        | 0/1           | R   | This bit is reserved. This bit is always read as 0 in modes 1 and 2. This bit is always read as 1 in modes 3 to 7.   |
| 6   | SWE      | 0             | R/W | Software Write Enable<br>When this bit is set to 1, flash memory programming/erasing is enabled. When this bit is cleared to 0, other FLMCR1 register bits and all EBR1 and EBR2 bits cannot be set. |
| 5   | ESU      | 0             | R/W | Erase Setup<br>When this bit is set to 1 while SWE = 1, the flash memory transits to the erase setup state. When it is cleared to 0, the erase setup state is cancelled.                             |
| 4   | PSU      | 0             | R/W | Program Setup<br>When this bit is set to 1 while SWE = 1, the flash memory transits to the program setup state. When it is cleared to 0, the program setup state is cancelled.                       |
| 3   | EV       | 0             | R/W | Erase-Verify<br>When this bit is set to 1 while SWE = 1, the flash memory transits to erase-verify mode. When it is cleared to 0, erase-verify mode is cancelled.                                    |
| 2   | PV       | 0             | R/W | Program-Verify<br>When this bit is set to 1 while SWE = 1, the flash memory transits to program-verify mode. When it is cleared to 0, program-verify mode is cancelled.                              |
| 1   | E        | 0             | R/W | Erase<br>When this bit is set to 1 while SWE = 1, and ESU = 1, the flash memory transits to erase mode. When it is cleared to 0, erase mode is cancelled.  |
| 0   | P        | 0             | R/W | Program<br>When this bit is set to 1 while SWE = 1, and PSU = 1, the flash memory transits to program mode. When it is cleared to 0, program mode is cancelled.                                      |

### 20.5.2 Flash Memory Control Register 2 (FLMCR2)

FLMCR2 is a register that displays the state of flash memory programming/erasing. When the SWE bit in FLMCR1 is cleared to 0, FLMCR2 is initialized to H'00. FLMCR2 is a read-only register, and should not be written to.

| Bit          | Bit Name | Initial Value | R/W | Description  |
|--------------|----------|---------------|-----|--|
| 7            | FLER     | 0             | R   | Indicates that an error has occurred during an operation on flash memory (programming or erasing). When FLER is set to 1, flash memory goes to the error-protection state.<br>See section 20.8.3, Error Protection, for details. |
| 6<br>to<br>0 | —        | All 0         | R   | Reserved<br>These bits are always read as 0.   |

---

### 20.5.3 Erase Block Register 1 (EBR1)

EBR1 specifies the flash memory erase area block. EBR1 is initialized to H'00 when the SWE bit in FLMCR1 is 0. Set only one bit in EBR1 and EBR2 together (do not set more than one bit at the same time). Setting more than one bit will automatically clear all EBR1 and EBR2 bits to 0. For details, see table 20.3.

| Bit | Bit Name | Initial Value | R/W | Description  |
|-----|----------|---------------|-----|--|
| 7   | EB7      | 0             | R/W | When this bit is set to 1, 4 kbytes of EB7 are to be erased. |
| 6   | EB6      | 0             | R/W | When this bit is set to 1, 4 kbytes of EB6 are to be erased. |
| 5   | EB5      | 0             | R/W | When this bit is set to 1, 4 kbytes of EB5 are to be erased. |
| 4   | EB4      | 0             | R/W | When this bit is set to 1, 4 kbytes of EB4 are to be erased. |
| 3   | EB3      | 0             | R/W | When this bit is set to 1, 4 kbyte of EB3 is to be erased.   |
| 2   | EB2      | 0             | R/W | When this bit is set to 1, 4 kbyte of EB2 is to be erased.   |
| 1   | EB1      | 0             | R/W | When this bit is set to 1, 4 kbyte of EB1 is to be erased.   |
| 0   | EB0      | 0             | R/W | When this bit is set to 1, 4 kbyte of EB0 is to be erased.   |

### 20.5.4 Erase Block Register 2 (EBR2)

EBR2 specifies the flash memory erase area block. EBR2 is initialized to H'00 when the SWE bit in FLMCR1 is 0. Set only one bit in EBR2 and EBR1 together (do not set more than one bit at the same time). Setting more than one bit will automatically clear all EBR1 and EBR2 bits to 0. For details, see table 20.3.

| Bit  | Bit Name | Initial Value | R/W        | Description  |
|------|----------|---------------|------------|--|
| 7, 6 | —        | All 0         | R/W<br>R/W | Reserved<br>The initial value should not be modified.          |
| 5    | EB13     | 0             | R/W        | When this bit is set to 1, 64 kbytes of EB13 are to be erased. |
| 4    | EB12     | 0             | R/W        | When this bit is set to 1, 64 kbytes of EB12 are to be erased. |
| 3    | EB11     | 0             | R/W        | When this bit is set to 1, 64 kbytes of EB11 are to be erased. |
| 2    | EB10     | 0             | R/W        | When this bit is set to 1, 64 kbytes of EB10 are to be erased. |
| 1    | EB9      | 0             | R/W        | When this bit is set to 1, 64 kbytes of EB9 are to be erased.  |
| 0    | EB8      | 0             | R/W        | When this bit is set to 1, 32 kbytes of EB8 are to be erased.  |

**Table 20.3 Erase Blocks**

| <b>Block (Size)</b> | <b>Address</b>           |
|---------------------|--------------------------|
|                     | <b>Modes 3, 4, and 7</b> |
| EB0 (4 kbytes)      | H'000000 to H'000FFF     |
| EB1 (4 kbytes)      | H'001000 to H'001FFF     |
| EB2 (4 kbytes)      | H'002000 to H'002FFF     |
| EB3 (4 kbytes)      | H'003000 to H'003FFF     |
| EB4 (4 kbytes)      | H'004000 to H'004FFF     |
| EB5 (4 kbytes)      | H'005000 to H'005FFF     |
| EB6 (4 kbytes)      | H'006000 to H'006FFF     |
| EB7 (4 kbytes)      | H'007000 to H'007FFF     |
| EB8 (32 kbytes)     | H'008000 to H'00FFFF     |
| EB9 (64 kbytes)     | H'010000 to H'01FFFF     |
| EB10 (64 kbytes)    | H'020000 to H'02FFFF     |
| EB11 (64 kbytes)    | H'030000 to H'03FFFF     |
| EB12 (64 kbytes)    | H'040000 to H'04FFFF     |
| EB13 (64 kbytes)    | H'050000 to H'05FFFF     |

## 20.6 On-Board Programming Modes

In an on-board programming mode, programming, erasing, and verification for the on-chip flash memory can be performed. There are two on-board programming modes: boot mode and user program mode. Table 20.4 shows how to select boot mode. User program mode can be selected by setting the control bits by software. For a diagram that shows mode transitions of flash memory, see figure 20.2.

**Table 20.4 Setting On-Board Programming Mode**

|           | <b>Mode Setting</b>   | <b>MD2</b> | <b>MD1</b> | <b>MD0</b> |
|-----------|---|------------|------------|------------|
| Boot mode | Single-chip activation expanded mode with on-chip ROM enabled | 0          | 1          | 1          |

### 20.6.1 Boot Mode

When this LSI enters boot mode, the embedded boot program is started. The boot program transfers the programming control program from the externally connected host to the on-chip RAM via the SCI\_1. When the flash memory is all erased, the programming control program is executed.

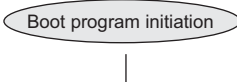
Table 20.5 shows the boot mode operations between reset end and branching to the programming control program.

1. When the boot program is initiated, the SCI\_1 should be set to asynchronous mode, the chip measures the low-level period of asynchronous SCI communication data (H'00) transmitted continuously from the host. The chip then calculates the bit rate of transmission from the host, and adjusts the SCI\_1 bit rate to match that of the host. The transfer format is 8-bit data, 1 stop bit, and no parity. The reset should end with the RxD pin high. The RxD and TxD pins should be pulled up on the board if necessary. After the reset ends, it takes approximately 100 states before the chip is ready to measure the low-level period.
2. After matching the bit rates, the chip transmits one H'00 byte to the host to indicate the end of bit rate adjustment. The host should confirm that this adjustment end indication (H'00) has been received normally, and transmit one H'55 byte to the chip. If reception could not be performed normally, initiate boot mode again by a reset. Depending on the host's transfer bit rate and system clock frequency of this LSI, there will be a discrepancy between the bit rates of the host and the chip. To operate the SCI properly, set the host's transfer bit rate and system clock frequency of this LSI within the ranges listed in table 20.6.

3. When boot mode is used, the flash memory programming control program must be prepared in the host beforehand. Prepare a programming control program in accordance with the description in section 20.7, Flash Memory Programming/Erasing.
4. Before branching to the programming control program, the chip terminates transfer operations by the SCI\_1 (by clearing the RE and TE bits in SCR to 0), but the adjusted bit rate value remains set in BRR. Therefore, the programming control program can still use it for transfer of program data or verify data with the host. The TxD pin is high. The contents of the CPU general registers are undefined immediately after branching to the programming control program. These registers must be initialized at the beginning of the programming control program, since the stack pointer (SP), in particular, is used implicitly in subroutine calls, etc.
5. In boot mode, if flash memory contains data (all data is not 1), all blocks of flash memory are erased. Boot mode is used for the initial programming in the on-board state or for a forcible return when a program that is to be initiated in user program mode was accidentally erased and could not be executed in user program mode.

- Notes:
1. In boot mode, a part of the on-chip RAM area (H'FF8000 to H'FF87FF) is used by the boot program. Addresses H'FF8800 to H'FFBFFF is the area to which the programming control program is transferred from the host. The boot program area cannot be used until the execution state in boot mode switches to the programming control program.
  2. Boot mode can be cleared by a reset. Release the reset by setting the MD pins, after waiting at least 20 states since driving the reset pin low. Boot mode is also cleared when the WDT overflow reset occurs.
  3. Do not change the MD pin input levels in boot mode.
  4. All interrupts are disabled during programming or erasing of the flash memory.

Table 20.5 Boot Mode Operation

| Item   | Host Operation  | Communication Contents   | LSI Operation  |
|--|---|--|--|
|  | Processing Contents   |  | Processing Contents  |
| Boot mode initiation                                       |   |  | Branches to boot program at reset-start.<br><br>  |
| Bit rate adjustment  | Continuously transmits data H'00 at specified bit rate.<br>↓<br>Transmits data H'55 when data H'00 is received error-free.<br>↓<br>H'AA reception   | H'00, H'00 ··· H'00<br><br>← H'00<br>H'55 →<br>← H'AA                | <ul style="list-style-type: none"> <li>Measures low-level period of receive data H'00.</li> <li>Calculates bit rate and sets BRR in SCI_1.</li> <li>Transmits data H'00 to host as adjustment end indication.</li> </ul> Transmits data H'AA to host when data H'55 is received. |
| Transfer of number of bytes of programming control program | Transmits number of bytes (N) of programming control program to be transferred as 2-byte data (low-order byte following high-order byte)<br>↓<br>Transmits 1-byte of programming control program (repeated for N times) | ← Upper bytes, lower bytes<br>Echoback →<br><br>H'XX →<br>← Echoback | Echobacks the 2-byte data received to host.<br>↓<br>Echobacks received data to host and also transfers it to RAM. (repeated for N times)   |
| Flash memory erase   | ↓<br>H'AA reception.  | ← H'FF<br>← H'AA   | Checks flash memory data, erases all flash memory blocks in case of written data existing, and transmits data H'AA to host. (If erase could not be done, transmits data H'FF to host and aborts operation.)  |
|  |   |  | ↓<br>Branches to programming control program transferred to on-chip RAM and starts execution.  |

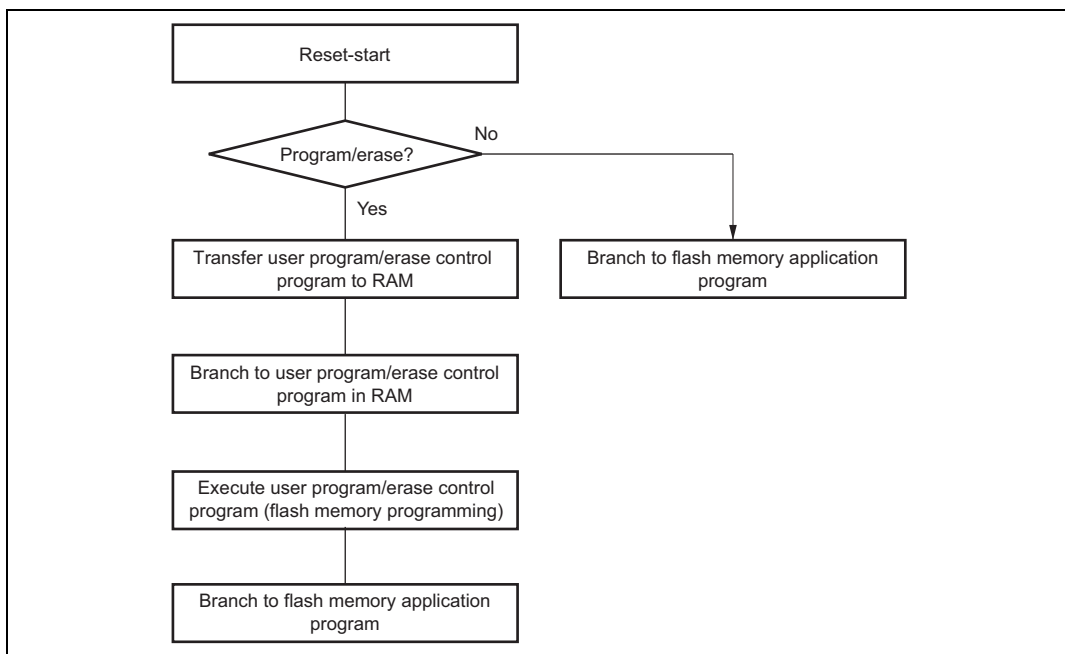


**Table 20.6 System Clock Frequencies for which Automatic Adjustment of LSI Bit Rate Is Possible**

| Host Bit Rate | System Clock Frequency Range of LSI |
|---------------|-------------------------------------|
| 19,200 bps    | 8 to 25 MHz                         |
| 9,600 bps     | 8 to 25 MHz                         |

### 20.6.2 User Program Mode

On-board programming/erasing of an individual flash memory block can also be performed in user program mode by branching to a user program/erase program. The user must set branching conditions and provide on-board means of supplying programming data. The flash memory must contain the program/erase program or a program which provides the program/erase program from external memory. Because the flash memory itself cannot be read during programming/erasing, transfer the program/erase program to on-chip RAM, as like in boot mode. Figure 20.6 shows a sample procedure for programming/erasing in user program mode. Prepare a program/erase program in accordance with the description in section 20.7, Flash Memory Programming/Erasing.

**Figure 20.6 Programming/Erasing Flowchart Example in User Program Mode**

## 20.7 Flash Memory Programming/Erasing

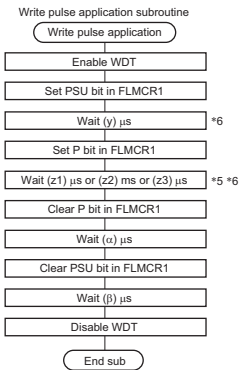
A software method, using the CPU, is employed to program and erase flash memory in the on-board programming modes. Depending on the FLMCR1 and FLMCR2 setting, the flash memory operates in one of the following four modes: program mode, erase mode, program-verify mode, and erase-verify mode. The programming control program in boot mode and the user program/erase program in user mode use these operating modes in combination to perform programming/erasing. Flash memory programming and erasing should be performed in accordance with the descriptions in section 20.7.1, Program/Program-Verify and section 20.7.2, Erase/Erase-Verify, respectively.

### 20.7.1 Program/Program-Verify

When programming data or programs to the flash memory, the program/program-verify flowchart shown in figure 20.7 should be followed. Performing programming operations according to this flowchart will enable data or programs to be programmed to the flash memory without subjecting the chip to voltage stress or sacrificing program data reliability.

1. Programming must be done to an empty address. Do not reprogram an address to which programming has already been performed.
2. Programming should be carried out 128 bytes at a time. A 128-byte data transfer must be performed even if programming fewer than 128 bytes. In this case, H'FF data must be written to the extra addresses.
3. Prepare the following data storage areas in RAM: a 128-byte programming data area, a 128-byte reprogramming data area, and a 128-byte additional-programming data area. Perform reprogramming data computation and additional programming data computation according to figure 20.9.
4. Consecutively transfer 128 bytes of data in byte units from the programming data area, reprogramming data area, or additional-programming data area to the flash memory. The program address and 128-byte data are latched in the flash memory. The lower 8 bits of the start address in the flash memory destination area must be H'00 or H'80.
5. The time during which the P bit is set to 1 is the programming time. Figure 20.7 shows the allowable programming times.
6. The watchdog timer (WDT) is set to prevent overprogramming due to program runaway, etc. Set a value greater than  $(y + z2 + \alpha + \beta)$   $\mu$ s as the WDT overflow period.
7. For a dummy write to a verify address, write 1-byte data H'FF to an address whose lower 2 bits are B'00. Verify data can be read in words from the address to which a dummy write was performed.
8. The maximum number of repetitions of the program/program-verify sequence to the same bit (N) must not be exceeded.

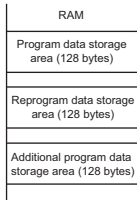
Perform programming in the erased state. Do not perform additional programming on previously programmed addresses.



Note 7: Write Pulse Width

| Number of Writes (n) | Write Time (z) $\mu$ s |
|----------------------|------------------------|
| 1                    | z1                     |
| 2                    | z1                     |
| 3                    | z1                     |
| 4                    | z1                     |
| 5                    | z1                     |
| 6                    | z1                     |
| 7                    | z2                     |
| 8                    | z2                     |
| 9                    | z2                     |
| 10                   | z2                     |
| 11                   | z2                     |
| 12                   | z2                     |
| 13                   | z2                     |
| ...                  | ...                    |
| 998                  | z2                     |
| 999                  | z2                     |
| 1000                 | z2                     |

Note: Use a z3  $\mu$ s write pulse for additional programming.



- Notes:
1. Data transfer is performed by byte transfer. The lower 8 bits of the first address written to must be H'00 or H'80. A 128-byte data transfer must be performed even if writing fewer than 128 bytes; in this case, H'FF data must be written to the extra addresses.
  2. Verify data is read in 16-bit (W) units.
  3. The reprogram data is given by the operation of the following tables (comparison between stored data in the program data area and verify data). Programming is executed for the bits of reprogram data 0 in the next reprogram loop. Even bits for which programming has been completed will be subjected to additional programming if they fail the subsequent verify operation.
  4. A 128-byte areas for storing program data, reprogram data, and additional program data must be provided in the RAM. The contents of the reprogram and additional program data are modified as programming proceeds.
  5. A write pulse of (z1) or (z2)  $\mu$ s should be applied according to the progress of the programming operation. See Note 7 for the pulse widths. When writing of additional-programming data is executed, a (z3)  $\mu$ s write pulse should be applied. Reprogram data 'X' means reprogram data when the write pulse is applied.
  6. For the values of x, y, z1, z2, z3, a,  $\beta$ ,  $\gamma$ ,  $\epsilon$ ,  $\eta$ ,  $\theta$ , and N, see section 26.1.6, Flash Memory Characteristics.

Program Data Operation Chart

| Original Data (D) | Verify Data (V) | Reprogram Data (X) | Comments                          |
|-------------------|-----------------|--------------------|-----------------------------------|
| 0                 | 0               | 1                  | Programming completed             |
| 0                 | 1               | 0                  | Programming incomplete; reprogram |
| 1                 | 0               | 1                  | Still in erased state; no action  |
|                   | 1               |                    |                                   |

Additional Program Data Operation Chart

| Reprogram Data (X) | Verify Data (V) | Additional Program Data (Y) | Comments                            |
|--------------------|-----------------|-----------------------------|-------------------------------------|
| 0                  | 0               | 0                           | Additional programming executed     |
| 0                  | 1               | 1                           | Additional programming not executed |
| 1                  | 0               |                             | Additional programming not executed |
|                    | 1               |                             | Additional programming not executed |

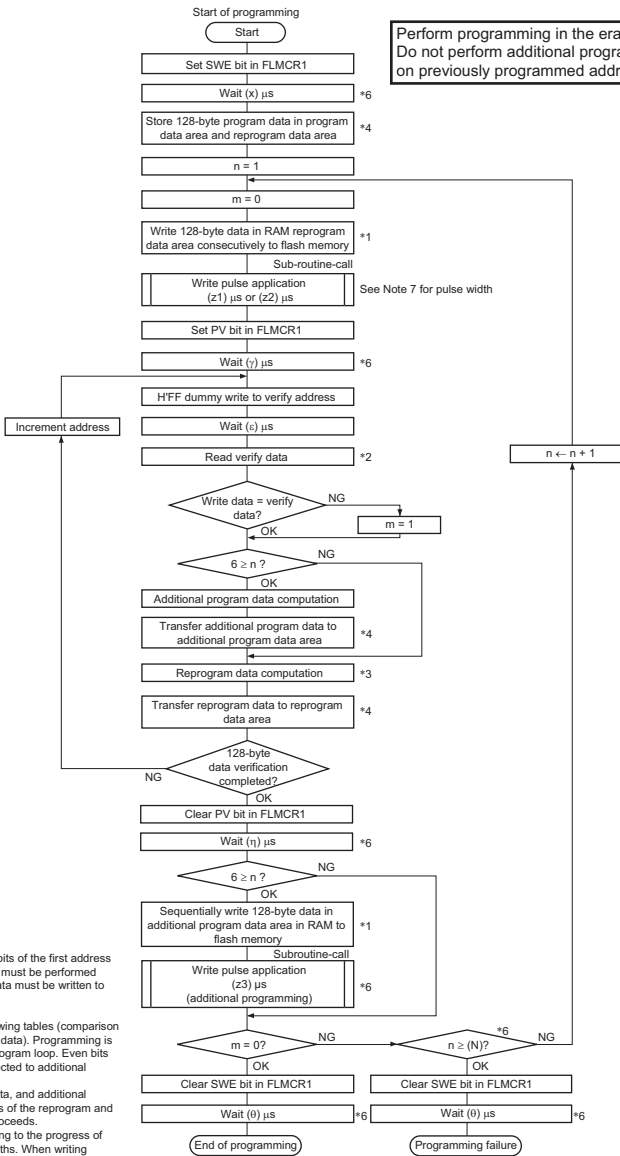


Figure 20.7 Program/Program-Verify Flowchart

### 20.7.2 Erase/Erase-Verify

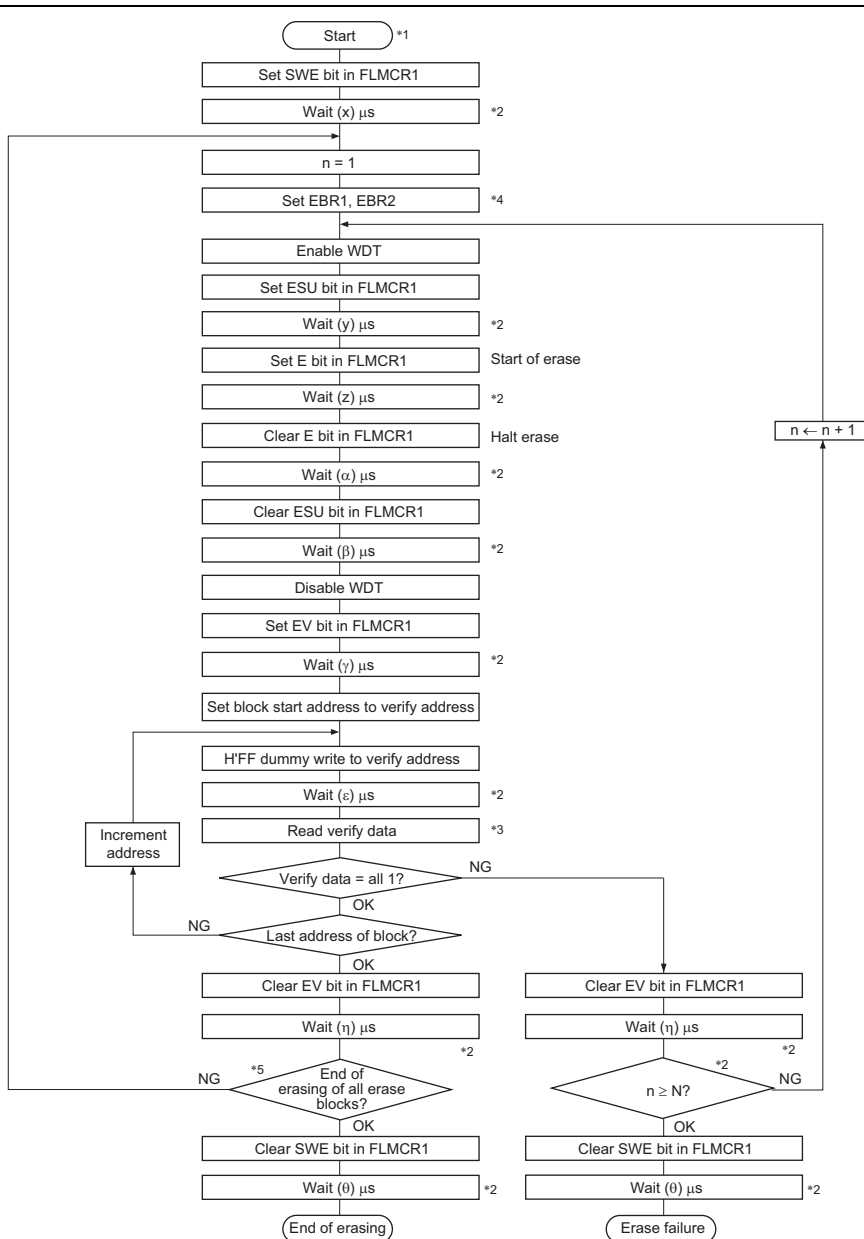
When erasing flash memory, the erase/erase-verify flowchart shown in figure 20.8 should be followed.

1. Prewriting (setting erase block data to all 0s) is not necessary.
2. Erasing is performed in block units. Make only a single-bit specification in the erase block registers (EBR1 and EBR2). To erase multiple blocks, each block must be erased in turn.
3. The time during which the E bit is set to 1 is the flash memory erase time.
4. The watchdog timer (WDT) is set to prevent overprogramming due to program runaway, etc. Set a value greater than  $(y + z + \alpha + \beta)$  ms as the WDT overflow period.
5. For a dummy write to a verify address, write 1-byte data H'FF to an address whose lower two bits are B'00. Verify data can be read in longwords from the address to which a dummy write was performed.
6. If the read data is not erased, set erase mode again, and repeat the erase/erase-verify sequence as before. The maximum number of repetitions of the erase/erase-verify sequence (N) must not be exceeded.

### 20.7.3 Interrupt Handling when Programming/Erasing Flash Memory

All interrupts, including NMI input, are disabled when flash memory is being programmed or erased, and while the boot program is executing in boot mode. There are three reasons for this:

1. Interrupt during programming or erasing might cause a violation of the programming or erasing algorithm, with the result that normal operation could not be assured.
2. If the interrupt exception handling is started when the vector address has not been programmed yet or the flash memory is being programmed or erased, the vector would not be read correctly, possibly resulting in CPU runaway.
3. If an interrupt occurred during boot program execution, it would not be possible to execute the normal boot mode sequence.



- Notes:
1. Prewriting (setting erase block data to all 0) is not necessary.
  2. The values of  $x$ ,  $y$ ,  $z$ ,  $\alpha$ ,  $\beta$ ,  $\gamma$ ,  $\epsilon$ ,  $\eta$ ,  $\theta$ , and  $N$  are shown in section 26.1.6, Flash Memory Characteristics.
  3. Verify data is read in 16-bit (W) units.
  4. Set only one bit in EBR1 or EBR2. More than one bit cannot be set.
  5. Erasing is performed in block units. To erase a number of blocks, the individual blocks must be erased sequentially.

**Figure 20.8 Erase/Erase-Verify Flowchart**

## 20.8 Program/Erase Protection

There are three kinds of flash memory program/erase protection: hardware protection, software protection, and error protection.

### 20.8.1 Hardware Protection

Hardware protection refers to a state in which programming/erasing of flash memory is forcibly disabled or aborted because of a transition to reset (including an overflow reset by the WDT) or standby mode. Flash memory control register 1 (FLMCR1), flash memory control register 2 (FLMCR2), erase block register 1 (EBR1), and erase block register 2 (EBR2) are initialized. In a reset via the  $\overline{\text{RES}}$  pin, the reset state is not entered unless the  $\overline{\text{RES}}$  pin is held low until oscillation stabilizes after powering on. In the case of a reset during operation, hold the  $\overline{\text{RES}}$  pin low for the  $\overline{\text{RES}}$  pulse width specified in the AC Characteristics section.

### 20.8.2 Software Protection

Protection can be implemented against programming/erasing of all flash memory blocks by clearing the SWE bit in FLMCR1 to 0 by software (these operations must be executed in the on-chip RAM or external memory). When protection is in effect, setting the P or E bit in FLMCR1 does not cause a transition to program mode or erase mode. By setting the erase block register 1 (EBR1) and erase block register 2 (EBR2), erase protection can be set for individual blocks. When EBR1 and EBR2 are set to H'00, erase protection is set for all blocks.

### 20.8.3 Error Protection

In error protection, an error is detected when the CPU's runaway occurs during flash memory programming/erasing, or operation is not performed in accordance with the program/erase algorithm, and the program/erase operation is forcibly aborted. Aborting the program/erase operation prevents damage to the flash memory due to overprogramming or overerasing.

When the following errors are detected during programming/erasing of flash memory, the FLER bit in FLMCR2 is set to 1, and the error protection state is entered.

- When flash memory is read during programming/erasing (including a vector read or instruction fetch)
- When an exception handling (excluding a reset) is started during programming/erasing
- When a SLEEP instruction is executed during programming/erasing
- When the CPU releases the bus during programming/erasing

The FLMCR1, FLMCR2, EBR1, and EBR2 settings are retained, but program mode or erase mode is forcibly aborted at the point at which the error occurred. Program mode or erase mode cannot be re-entered by re-setting the P or E bit. However, since PV and EV bit setting is enabled, and a transition can be made to verify mode. The error protection state can be canceled by a reset or in hardware standby mode.

## 20.9 Programmer Mode

In programmer mode, a PROM programmer can perform programming/erasing via a socket adapter, just like for a discrete flash memory. Use a PROM programmer which supports the Renesas 512-kbyte flash memory on-chip MCU device type (FZTAT512V3A). A 12-MHz input clock is needed.

## 20.10 Power-Down States for Flash Memory

In user mode, the flash memory will operate in either of the following states:

- Normal operating mode  
The flash memory can be read.
- Standby mode  
All flash memory circuits are halted.

Table 20.7 shows the correspondence between the operating modes of this LSI and the flash memory. When the flash memory returns to normal operation from a standby state, a power supply circuit stabilization period is needed. When the flash memory returns to its normal operating state, bits STS3 to STS0 in SBYCR must be set to provide a wait time of at least 100  $\mu$ s, even when the external clock is being used.

**Table 20.7 Flash Memory Operating States**

| Operating Mode | Flash Memory Operating State |
|----------------|------------------------------|
| Active mode    | Normal operating state       |
| Sleep mode     | Normal operating state       |
| Standby mode   | Standby state                |

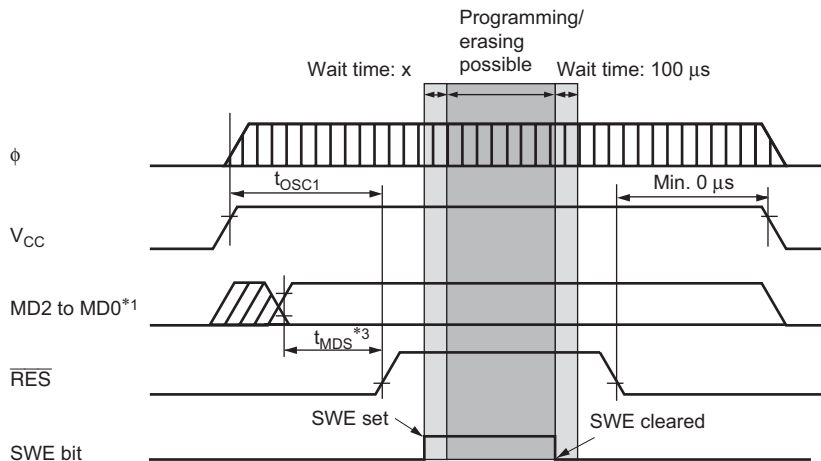
## 20.11 Usage Notes

Precautions concerning the use of on-board programming mode and programmer mode are summarized below.

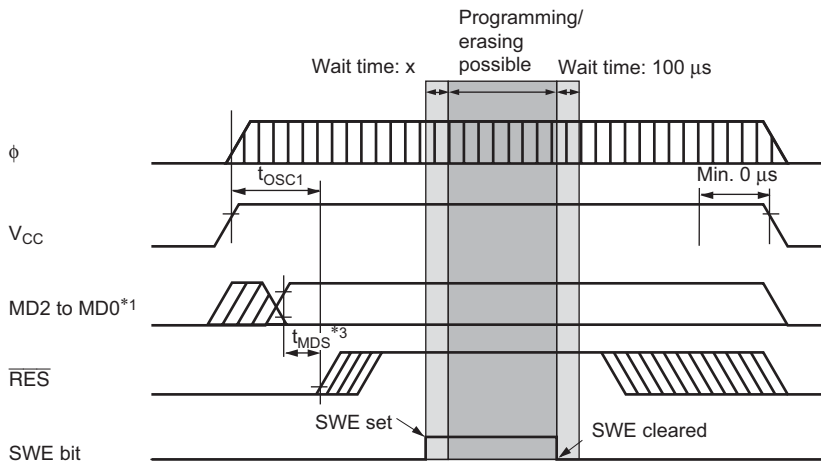
1. Use the specified voltages and timing for programming and erasing.  
Applied voltages in excess of the rating can permanently damage the device. Use a PROM programmer that supports the Renesas microcomputer device type with 512-kbyte on-chip flash memory (FZTAT512V3A).  
Do not select the HN27C4096 setting for the PROM programmer, and only use the specified socket adapter.
2. Reset the flash memory before turning on/off the power.  
When applying or disconnecting Vcc power, fix the  $\overline{\text{RES}}$  pin low and place the flash memory in the hardware protection state. The power-on and power-off timing requirements should also be satisfied in the event of a power failure and subsequent recovery.
3. Use the recommended algorithm when programming and erasing flash memory.  
The recommended algorithm enables programming and erasing to be carried out without subjecting the device to voltage stress or sacrificing program data reliability. When setting the P or E bit in FLMCR1, the watchdog timer should be set beforehand as a precaution against program runaway, etc.
4. Do not set or clear the SWE bit during execution of a program in flash memory.  
Wait for at least 100  $\mu$ s after clearing the SWE bit before executing a program or reading data in flash memory.  
When the SWE bit is set, data in flash memory can be rewritten. When the SWE bit is set to 1, data in flash memory can be read only in program-verify/erase-verify mode. Access flash memory only for verify operations (verification during programming/erasing). Also, do not clear the SWE bit during programming, erasing, or verifying. Similarly, the SWE bit must be cleared before executing a program or reading data from flash memory.  
However, the RAM area overlapping flash memory space can be read and written to regardless of whether the SWE bit is set or cleared.
5. Do not use interrupts while flash memory is being programmed or erased.  
All interrupt requests, including NMI, should be disabled during programming/erasing the flash memory to give priority to program/erase operations.



6. Do not perform additional programming. Erase the memory before reprogramming.  
In on-board programming, perform only one programming operation on a 128-byte programming unit block. In programmer mode, too, perform only one programming operation on a 128-byte programming unit block. Programming should be carried out with the entire programming unit block erased.
7. Before programming, check that the chip is correctly mounted in the PROM programmer.  
Overcurrent damage to the device can result if the index marks on the PROM programmer socket, socket adapter, and chip are not correctly aligned.
8. Do not touch the socket adapter or chip during programming.  
Touching either of these can cause contact faults and write errors.
9. Apply the reset signal after the SWE, bit is cleared during its operation.  
The reset signal is applied at least 100  $\mu$ s after the SWE bit has been cleared.



(1) Boot Mode

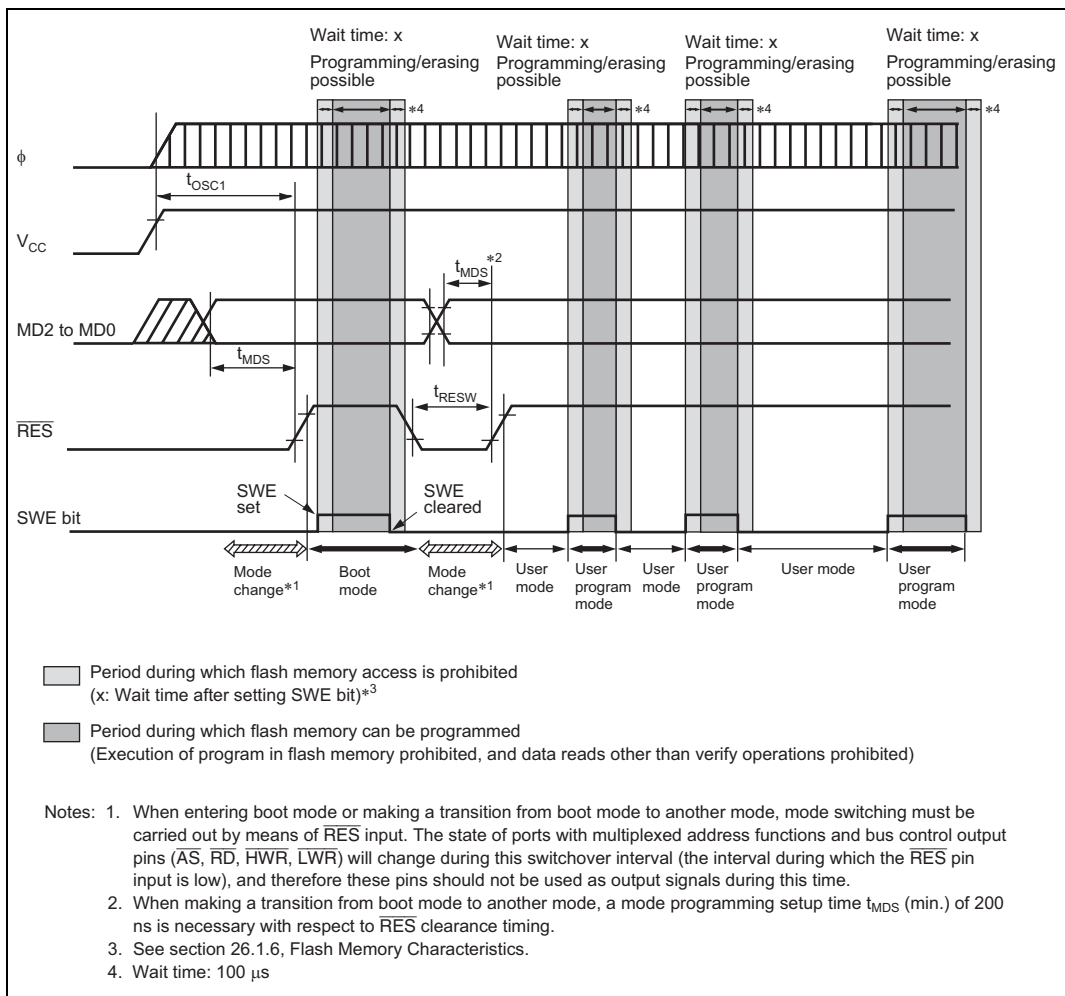


(2) User Program Mode

- Period during which flash memory access is prohibited (x: Wait time after setting SWE bit)\*2
- Period during which flash memory can be programmed (Execution of program in flash memory prohibited, and data reads other than verify operations prohibited)

Notes: 1. Except when switching modes, the level of the mode pins (MD2 to MD0) must be fixed until power-off by pulling the pins up or down.  
 2. See section 26.1.6, Flash Memory Characteristics.  
 3. Mode programming setup time  $t_{\text{MDS}}$  (min.) = 200 ns

**Figure 20.9 Power-On/Off Timing**



**Figure 20.10 Mode Transition Timing**  
**(Example: Boot Mode  $\rightarrow$  User Mode  $\leftrightarrow$  User Program Mode)**



## Section 21 Flash Memory (0.18- $\mu$ m F-ZTAT Version)

The flash memory has the following features. Figure 21.1 shows a block diagram of the flash memory.

### 21.1 Features

- Size

| Product Classification |            | ROM Size   | ROM Address                                  |
|------------------------|------------|------------|--|
| H8S/2378               | HD64F2378B | 512 kbytes | H'000000 to H'07FFFF<br>(Modes 3 to 5 and 7) |
| H8S/2378R              | HD64F2378R |            |  |
| H8S/2374               | HD64F2374  | 384 kbytes | H'000000 to H'05FFFF<br>(Modes 3 to 5 and 7) |
| H8S/2374R              | HD64F2374R |            |  |
| H8S/2372               | HD64F2372  | 256 kbytes | H'000000 to H'03FFFF<br>(Modes 3 to 5 and 7) |
| H8S/2372R              | HD64F2372R |            |  |
| H8S/2371               | HD64F2371  |            |  |
| H8S/2371R              | HD64F2371R |            |  |
| H8S/2370               | HD64F2370  |            |  |
| H8S/2370R              | HD64F2370R |            |  |

- Two flash-memory MATs according to LSI initiation mode

The on-chip flash memory has two memory spaces in the same address space (hereafter referred to as memory MATs). The mode setting in the initiation determines which memory MAT is initiated first. The MAT can be switched by using the bank-switching method after initiation.

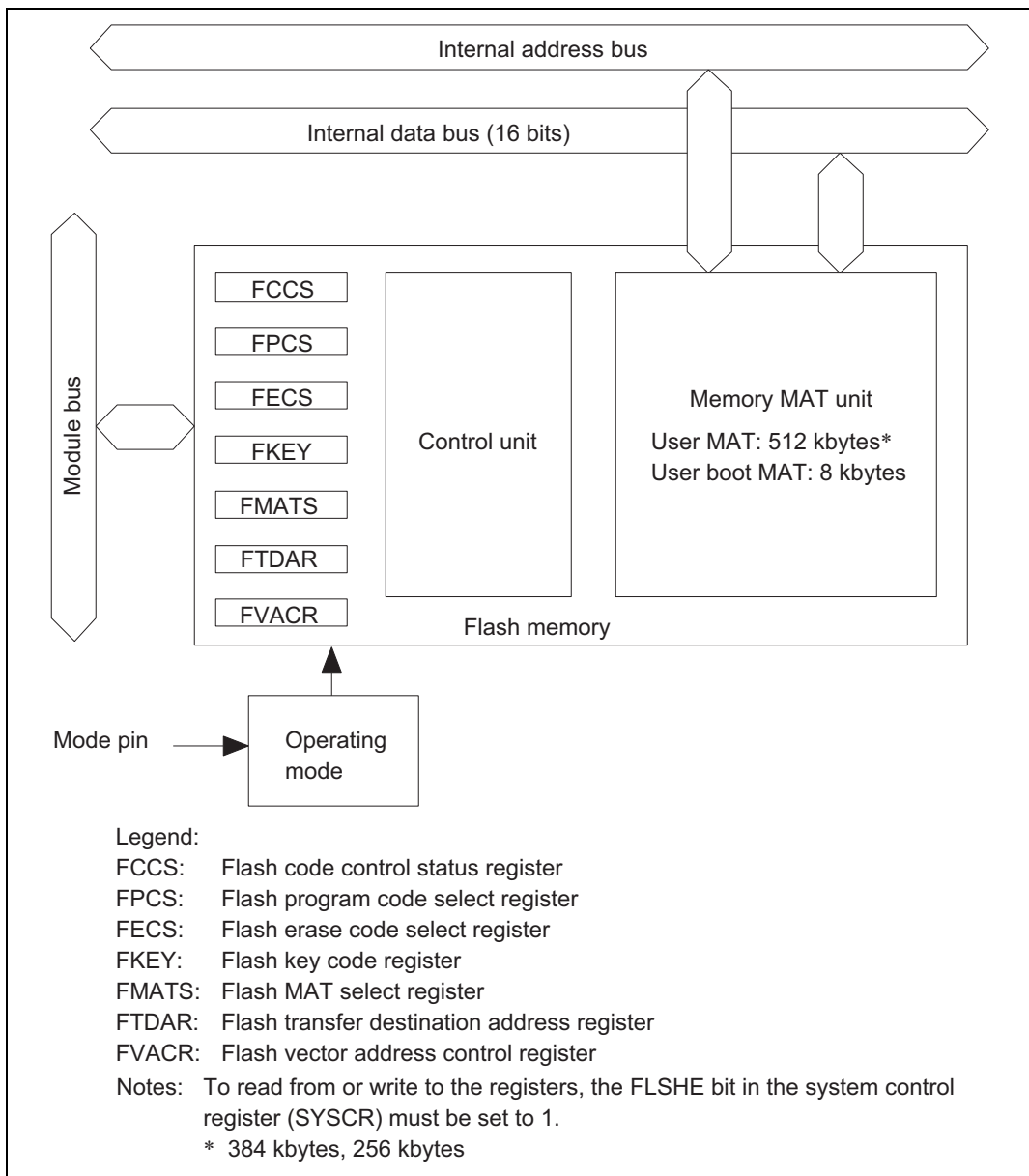
— The user memory MAT is initiated at a power-on reset in user mode: 256 kbytes/  
384 kbytes/512 kbytes

— The user boot memory MAT is initiated at a power-on reset in user boot mode: 8 kbytes

- Programming/erasing interface by the download of on-chip program

This LSI has a dedicated programming/erasing program. After downloading this program to the on-chip RAM, programming/erasing can be performed by setting the argument parameter. The user branch is also supported.

- Programming/erasing time  
The flash memory programming time is 1 ms (typ) in 128-byte simultaneous programming and 8  $\mu$ s per byte. The erasing time is 750 ms (typ) per 64-kbyte block.
  - User branch  
The program processing is performed in 128-byte units. It consists the program pulse application, verify read, and several other steps. Erasing is performed in one divided-block units and consists of several steps. The user processing routine can be executed between the steps, this setting for which is called the use branch addition.
- Number of programming  
The number of flash memory programming can be up to 100 times.
- Three on-board programming modes and one off-board programming mode
  - Boot mode  
This mode is a program mode that uses an on-chip SCI interface. The user MAT and user boot MAT can be programmed. This mode can automatically adjust the bit rate between host and this LSI.
  - User program mode  
The user MAT can be programmed by using the optional interface.
  - User boot mode  
The user boot program of the optional interface can be made and the user MAT can be programmed.
- One off-board programming mode
  - PROM mode  
This mode uses the PROM programmer. The user MAT and user boot MAT can be programmed.
- Programming/erase protection  
There are three types of flash memory programming/erase protection that may be selected: hardware protection, software protection, and error protection.

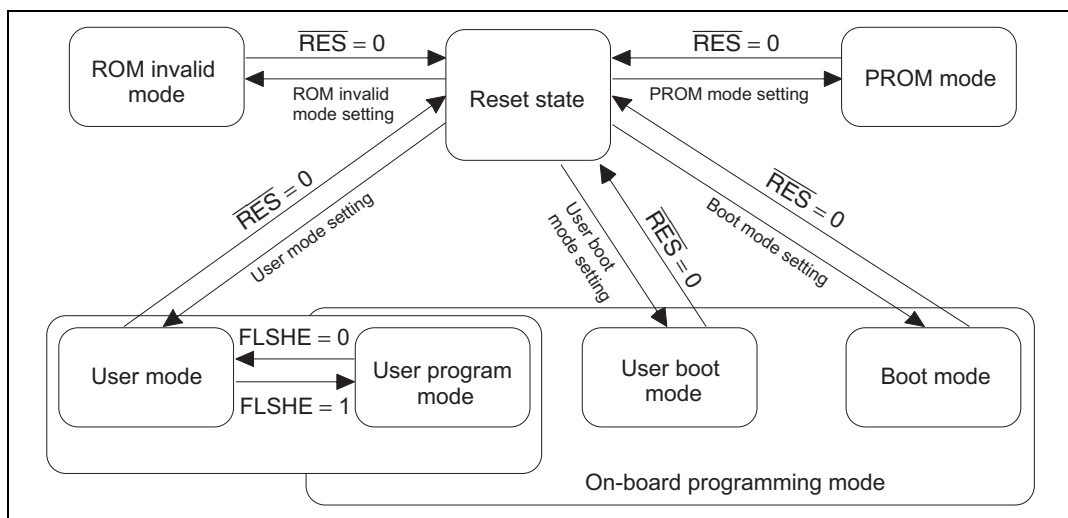


**Figure 21.1 Block Diagram of Flash Memory**

### 21.1.1 Operating Mode

When the mode pins are set in the reset state and a reset start is performed, the MCU transitions to an operating mode as shown in figure 21.2.

- Flash memory cannot be read, programmed, or erased in ROM invalid mode.
- Flash memory can be read in user mode, but cannot be programmed or erased.
- Flash memory can be read, programmed, or erased on the board only in user program mode, user boot mode, and boot mode.
- Flash memory can be read, programmed, or erased by means of the PROM programmer in PROM mode.



**Figure 21.2 Mode Transition of Flash Memory**



### 21.1.2 Mode Comparison

The comparison table of programming and erasing related items about boot mode, user program mode, user boot mode, and PROM mode is shown in table 21.1.

**Table 21.1 Comparison of Programming Modes**

|                                 | <b>Boot mode</b>                | <b>User program mode</b>     | <b>User boot mode</b>           | <b>PROM mode</b>          |
|---------------------------------|---------------------------------|------------------------------|---------------------------------|---------------------------|
| Programming/erasing environment | On-board programming            | On-board programming         | On-board programming            | Off-board programming     |
| Programming/erasing enable MAT  | User MAT<br>User boot MAT       | User MAT                     | User MAT                        | User MAT<br>User boot MAT |
| All erasure                     | ○ (Automatic)                   | ○                            | ○                               | ○ (Automatic)             |
| Block division erasure          | ○*1                             | ○                            | ○                               | ×                         |
| Program data transfer           | From host via SCI               | From optional device via RAM | From optional device via RAM    | Via programmer            |
| Reset initiation MAT            | Embedded program storage MAT    | User MAT                     | User boot MAT*2                 | —                         |
| Transition to user mode         | Changing mode setting and reset | Changing FLSHE bit           | Changing mode setting and reset | —                         |

Notes: 1. All-erasure is performed. After that, the specified block can be erased.

2. Firstly, the reset vector is fetched from the embedded program storage MAT. After the flash memory related registers are checked, the reset vector is fetched from the user boot MAT.

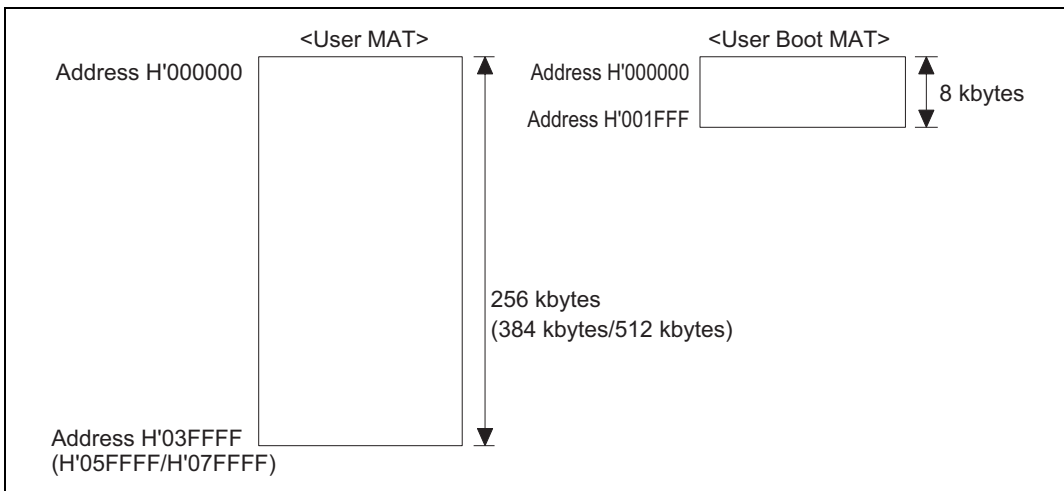
- The user boot MAT can be programmed or erased only in boot mode and PROM mode.
- The user MAT and user boot MAT are erased in boot mode. Then, the user MAT and user boot MAT can be programmed by means of the command method. However, the contents of the MAT cannot be read until this state.  
Only user boot MAT is programmed and the user MAT is programmed in user boot mode or only user MAT is programmed because user boot mode is not used.
- The boot operation of the optional interface can be performed by the mode pin setting different from user program mode in user boot mode.

### 21.1.3 Flash MAT Configuration

This LSI's flash memory is configured by the 256-kbyte/384-kbyte/512-kbyte user MAT and 8-kbyte user boot MAT.

The start address is allocated to the same address in the user MAT and user boot MAT. Therefore, when the program execution or data access is performed between two MATs, the MAT must be switched by using FMATS.

The user MAT or user boot MAT can be read in all modes if it is in ROM valid mode. However, the user boot MAT can be programmed only in boot mode and PROM mode.

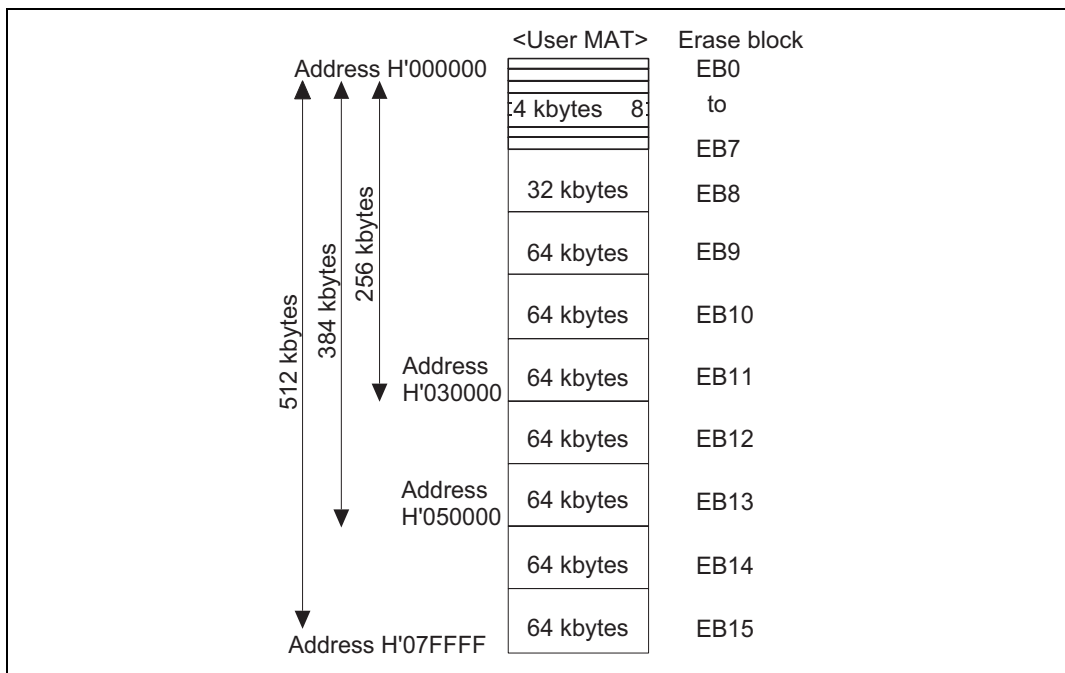


**Figure 21.3 Flash Memory Configuration**

The size of the user MAT is different from that of the user boot MAT. An address which exceeds the size of the 8-kbyte user boot MAT should not be accessed. If the attempt is made, data is read as undefined value.

### 21.1.4 Block Division

The user MAT is divided into 64 kbytes (seven blocks), 32 kbytes (one block), and 4 kbytes (eight blocks) as shown in figure 21.4. The user MAT can be erased in this divided-block units and the erase-block number of EB0 to EB15 is specified when erasing.

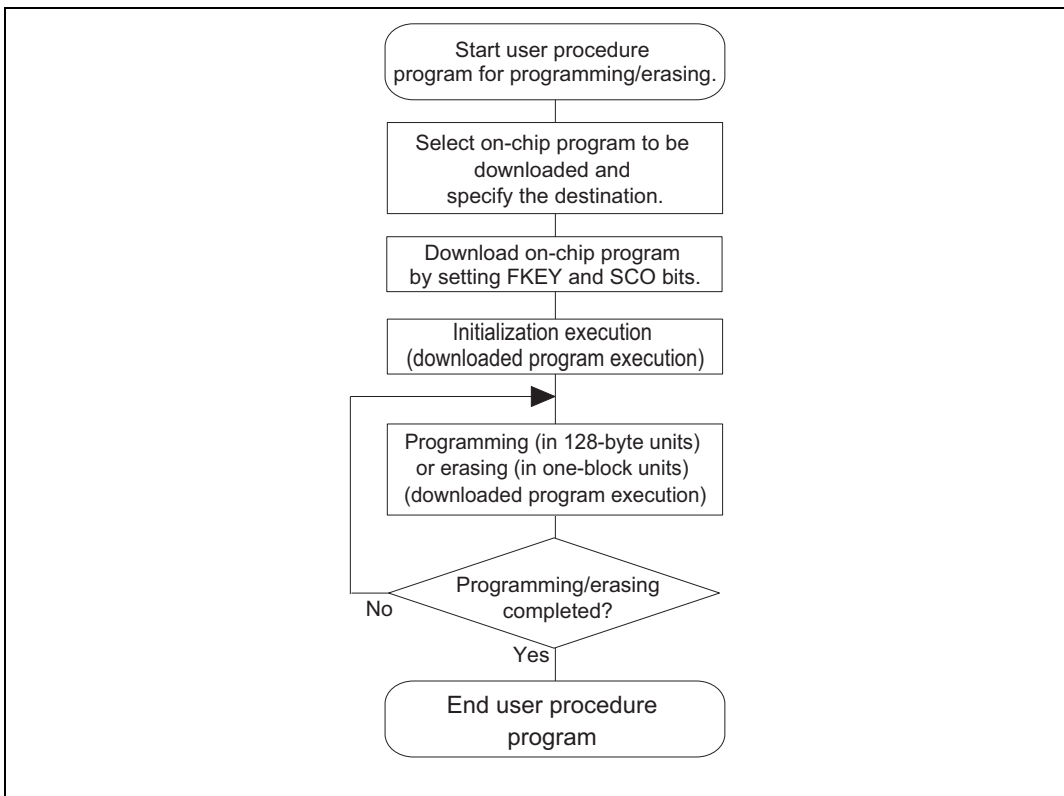


**Figure 21.4 Block Division of User MAT**

### 21.1.5 Programming/Erasing Interface

Programming/erasing is executed by downloading the on-chip program to the on-chip RAM and specifying the program address/data and erase block by using the interface register/parameter.

The procedure program is made by the user in user program mode and user boot mode. An overview of the procedure is given as follows. For details, see section 21.4.2, User Program Mode.



**Figure 21.5 Overview of User Procedure Program**

#### 1. Selection of on-chip program to be downloaded

For programming/erasing execution, the FLSHE bit must be set to 1 to transition to user program mode.

This LSI has programming/erasing programs which can be downloaded to the on-chip RAM. The on-chip program to be downloaded is selected by setting the corresponding bits in the programming/erasing interface register. The address of the programming destination is specified by the FTDAR.

## 2. Download of on-chip program

The on-chip program is automatically downloaded by setting the SCO bit in the flash key register (FKEY) and the flash control register (FCCS) of the programming/erasing interface register.

The flash memory is replaced to the embedded program storage area when downloading. Since the flash memory cannot be read when programming/erasing, the procedure program, which is working from download to completion of programming/erasing, must be executed in the space other than the flash memory to be programmed/erased (for example, on-chip RAM).

Since the result of download is returned to the programming/erasing interface parameter, whether the normal download is executed or not can be confirmed.

## 3. Initialization of programming/erasing

The operating frequency is set before execution of programming/erasing. This setting is performed by using the programming/erasing interface parameter.

## 4. Programming/erasing execution

The program data/programming destination address is specified in 128-byte units when programming.

The block to be erased is specified in erase-block units when erasing.

These specifications are set by using the programming/erasing interface parameter and the on-chip program is initiated. The on-chip program is executed by using the JSR or BSR instruction and performing the subroutine call of the specified address in the on-chip RAM. The execution result is returned to the programming/erasing interface parameter.

The area to be programmed must be erased in advance when programming flash memory. All interrupts are prohibited during programming and erasing. Interrupts must be masked within the user system.

## 5. When programming/erasing is executed consecutively

When the processing is not ended by the 128-byte programming or one-block erasure, the program address/data and erase-block number must be updated and consecutive programming/erasing is required.

Since the downloaded on-chip program is left in the on-chip RAM after the processing, download and initialization are not required when the same processing is executed consecutively.

## 21.2 Input/Output Pins

Table 21.2 shows the flash memory pin configuration.

**Table 21.2 Pin Configuration**

| Pin Name      | Abbreviation            | Input/Output | Function  |
|---------------|-------------------------|--------------|---|
| Reset         | $\overline{\text{RES}}$ | Input        | Reset   |
| Mode 2        | MD2                     | Input        | Sets operating mode of this LSI                 |
| Mode 1        | MD1                     | Input        | Sets operating mode of this LSI                 |
| Mode 0        | MD0                     | Input        | Sets operating mode of this LSI                 |
| Port 52       | P52                     | Input        | Sets operating mode of programmer mode          |
| Port 51       | P51                     | Input        | Sets operating mode of programmer mode          |
| Port 50       | P50                     | Input        | Sets operating mode of programmer mode          |
| Transmit data | TxD1                    | Output       | Serial transmit data output (used in boot mode) |
| Receive data  | RxD1                    | Input        | Serial receive data input (used in boot mode)   |

Note: For the pin configuration in PROM mode, see section 21.7, Programmer Mode.

## 21.3 Register Descriptions

The registers/parameters which control flash memory are shown as follows.

- Flash code control status register (FCCS)
- Flash program code select register (FPCS)
- Flash erase code select register (FECS)
- Flash key code register (FKEY)
- Flash MAT select register (FMATS)
- Flash transfer destination address register (FTDAR)
- Download pass and fail result (DPFP)
- Flash pass and fail result (FPFR)
- Flash multipurpose address area (FMPAR)
- Flash multipurpose data destination area (FMPDR)
- Flash erase Block select (FEBS)
- Flash program and erase frequency control (FPEFEQ)
- Flash vector address control register (FVACR)

There are several operating modes for accessing flash memory, for example, read mode/program mode.

There are two memory MATs: user MAT and user boot MAT. The dedicated registers/parameters are allocated for each operating mode and MAT selection. The correspondence of operating modes and registers/parameters for use is shown in table 21.3.

**Table 21.3 Register/Parameter and Target Mode**

|  |        | Download | Initiali-<br>zation | Program-<br>ming | Erase           | Read            |
|--|--------|----------|---------------------|------------------|-----------------|-----------------|
| Programming/erasing<br>interface register  | FCCS   | ○        | —                   | —                | —               | —               |
|  | FPCS   | ○        | —                   | —                | —               | —               |
|  | FECS   | ○        | —                   | —                | —               | —               |
|  | FKEY   | ○        | —                   | ○                | ○               | —               |
|  | FMATS  | —        | —                   | ○ <sup>*1</sup>  | ○ <sup>*1</sup> | ○ <sup>*2</sup> |
|  | FTDAR  | ○        | —                   | —                | —               | —               |
| Programming/erasing<br>interface parameter | DPFR   | ○        | —                   | —                | —               | —               |
|  | FPFR   | —        | ○                   | ○                | ○               | —               |
|  | FPEFEQ | —        | ○                   | —                | —               | —               |
|  | FUBRA  | —        | ○                   | —                | —               | —               |
|  | FMPAR  | —        | —                   | ○                | —               | —               |
|  | FMPDR  | —        | —                   | ○                | —               | —               |
|  | FEBS   | —        | —                   | —                | ○               | —               |

Notes: 1. The setting is required when programming or erasing user MAT in user boot mode.

2. The setting may be required according to the combination of initiation mode and read target MAT.

### 21.3.1 Programming/Erasing Interface Register

The programming/erasing interface registers are as described below. They are all 8-bit registers that can be accessed in byte. Except for the FLER bit in FCCS, these registers are initialized at a power-on reset, in hardware standby mode, or in software standby mode. The FLER bit is not initialized in software standby mode.

- Flash Code Control and Status Register (FCCS)

FCCS is used to request monitoring of flash memory programming/erase errors or downloading of on-chip programs.



| Bit  | Bit Name | Initial Value | R/W | Description   |
|------|----------|---------------|-----|---|
| 7    | —        | 1             | R   | Reserved<br>This bit is always read as 0. The write value should always be 1.   |
| 6, 5 | —        | All 0         | R   | Reserved<br>These bits are always read as 0. The write value should always be 0.  |
| 4    | FLER     | 0             | R   | Flash Memory Error<br>Indicates an error occurs during programming and erasing flash memory. When FLER is set to 1, flash memory enters the error protection state. This bit is initialized at transition to a power-on reset or hardware standby mode.<br>When FLER is set to 1, high voltage is applied to the internal flash memory. To reduce the damage to flash memory, the reset must be released after the reset period of 100 $\mu$ s which is longer than normal.<br>0: Flash memory operates normally<br>Programming/erasing protection for flash memory (error protection) is invalid.<br>[Clearing condition] At a power-on reset or in hardware standby mode<br>1: Indicates an error occurs during programming/erasing flash memory.<br>Programming/erasing protection for flash memory (error protection) is valid.<br>[Setting condition] <ul style="list-style-type: none"> <li>• When an interrupt, such as NMI, occurs during programming/erasing flash memory.</li> <li>• When the flash memory is read during programming/erasing flash memory</li> <li>• When the SLEEP instruction is executed during programming/erasing flash memory</li> <li>• When a bus master other than the CPU, such as the DMAC, DTC, or BREQ, gets bus mastership during programming/erasing flash memory.</li> </ul> |

| Bit    | Bit Name | Initial Value | R/W   | Description  |
|--------|----------|---------------|-------|--|
| 3 to 1 | —        | All 0         | R     | Reserved<br>These bits are always read as 0. The write value should always be 0.   |
| 0      | SCO      | 0             | (R)/W | <p>Source Program Copy Operation</p> <p>Requests the on-chip programming/erasing program to be downloaded to the on-chip RAM.</p> <p>When this bit is set to 1, the on-chip program which is selected by FPCS/FECS is automatically downloaded in the on-chip RAM specified by FTDAR.</p> <p>In order to set this bit to 1, H'A5 must be written to FKEY, and this operation must be executed in the on-chip RAM.</p> <p>Four NOP instructions must be executed immediately after setting this bit to 1.</p> <p>Since this bit is cleared to 0 when download is completed, this bit cannot be read as 1.</p> <p>All interrupts must be disabled. This should be made in the user system.</p> <p>0: Download of the on-chip programming/erasing program to the on-chip RAM is not executed<br/>[Clear condition] When download is completed</p> <p>1: Request that the on-chip programming/erasing program is downloaded to the on-chip RAM is occurred<br/>[Set conditions] When all of the following conditions are satisfied and 1 is written to this bit</p> <ul style="list-style-type: none"> <li>• H'A5 is written to FKEY</li> <li>• During execution in the on-chip RAM</li> </ul> |

- Flash Program Code Select Register (FPCS)

FPCS selects the on-chip programming program to be downloaded.

| Bit    | Bit Name | Initial Value | R/W | Description  |
|--------|----------|---------------|-----|--|
| 7 to 1 | —        | All 0         | R   | Reserved<br>These bits are always read as 0. The write value should always be 0.   |
| 0      | PPVS     | 0             | R/W | Program Pulse Verify<br>Selects the programming program.<br>0: On-chip programming program is not selected<br>[Clear condition] When transfer is completed<br>1: On-chip programming program is selected |

- Flash Erase Code Select Register (FECS)

FECS selects download of the on-chip erasing program.

| Bit    | Bit Name | Initial Value | R/W | Description  |
|--------|----------|---------------|-----|--|
| 7 to 1 | —        | All 0         | R   | Reserved<br>These bits are always read as 0. The write value should always be 0.   |
| 0      | EPVB     | 0             | R/W | Erase Pulse Verify Block<br>Selects the erasing program.<br>0: On-chip erasing program is not selected<br>[Clear condition] When transfer is completed<br>1: On-chip erasing program is selected |

- Flash Key Code Register (FKEY)

FKEY is a register for software protection that enables download of on-chip program and programming/erasing of flash memory. Before setting the SCO bit to 1 in order to download on-chip program or executing the downloaded programming/erasing program, these processing cannot be executed if the key code is not written.

| Bit | Bit Name | Initial Value | R/W | Description   |
|-----|----------|---------------|-----|---|
| 7   | K7       | 0             | R/W | Key Code  |
| 6   | K6       | 0             | R/W | Only when H'A5 is written, writing to the SCO bit is valid. When the value other than H'A5 is written to FKEY, 1 cannot be written to the SCO bit. Therefore downloading to the on-chip RAM cannot be executed.                 |
| 5   | K5       | 0             | R/W |   |
| 4   | K4       | 0             | R/W | Only when H'5A is written, programming/erasing can be executed. Even if the on-chip programming/erasing program is executed, the flash memory cannot be programmed or erased when the value other than H'5A is written to FKEY. |
| 3   | K3       | 0             | R/W |   |
| 2   | K2       | 0             | R/W | H'A5: Writing to the SCO bit is enabled (The SCO bit cannot be set by the value other than H'A5.)<br>H'5A: Programming/erasing is enabled (The value other than H'A5 is in software protection state.)                          |
| 1   | K1       | 0             | R/W |   |
| 0   | K0       | 0             | R/W | H'00: Initial value   |

- Flash MAT Select Register (FMATS)

FMATS specifies whether user MAT or user boot MAT is selected.

| Bit | Bit Name | Initial Value | R/W | Description  |
|-----|----------|---------------|-----|--|
| 7   | MS7      | 0/1*          | R/W | <b>MAT Select</b>  |
| 6   | MS6      | 0             | R/W | These bits are in user-MAT selection state when the value other than H'AA is written and in user-boot-MAT selection state when H'AA is written.  |
| 5   | MS5      | 0/1*          | R/W |  |
| 4   | MS4      | 0             | R/W | The MAT is switched by writing the value in FMATS.   |
| 3   | MS3      | 0/1*          | R/W |  |
| 2   | MS2      | 0             | R/W | When the MAT is switched, follow section 21.6, Switching between User MAT and User Boot MAT. (The user boot MAT cannot be programmed in user programming mode if user boot MAT is selected by FMATS. The user boot MAT must be programmed in boot mode or in PROM mode.) |
| 1   | MS1      | 0/1*          | R/W |  |
| 0   | MS0      | 0             | R/W |  |
|     |          |               |     | H'AA: The user boot MAT is selected (in user-MAT selection state when the value of these bits are other than H'AA)   |
|     |          |               |     | Initial value when these bits are initiated in user boot mode.   |
|     |          |               |     | H'00: Initial value when these bits are initiated in a mode except for user boot mode (in user-MAT selection state)  |
|     |          |               |     | [Programmable condition] These bits are in the execution state in the on-chip RAM.   |

Note: \* Set to 1 when in user boot mode, otherwise set to 0.

- Flash Transfer Destination Address Register (FTDAR)

FTDAR is a register that specify the address to download an on-chip program. This register must be specified before setting the SCO bit in FCCS to 1.

| Bit | Bit Name | Initial Value | R/W | Description  |
|-----|----------|---------------|-----|--|
| 7   | TDER     | 0             | R/W | <p>Transfer Destination Address Setting Error</p> <p>This bit is set to 1 when the address specified by bits TDA6 to TDA0, which is the start address to download an on-chip program, is over the range. Whether or not the range specified by bits TDA6 to TDA0 is within the range of H'00 to H'03 is determined when an on-chip program is downloaded by setting the SCO bit in FCCS. Make sure that this bit is cleared to 0 before setting the SCO bit to 1 and the value specified by TDA6 to TDA0 is within the range of H'00 to H'03.</p> <p>0: The value specified by bits TDA6 to TDA0 is within the range.</p> <p>1: The value specified by is TDA6 to TDA0 is over the range (H'04 to H'FF) and the download is stopped.</p> |
| 6   | TDA6     | 0             | R/W | Transfer Destination Address   |
| 5   | TDA5     | 0             | R/W | <p>Specifies the start address to download an on-chip program. H'00 to H'03 can be specified meaning that the start address in the on-chip RAM space can be specified in units of 4 kbytes.</p> <p>H'00: H'FF9000 is specified as a start address to download an on-chip program.</p> <p>H'01: H'FFA000 is specified as a start address to download an on-chip program.</p> <p>H'02: H'FFB000 is specified as a start address to download an on-chip program.</p> <p>H'03: H'FF8000 is specified as a start address to download an on-chip program.</p> <p>H'04 to H'07: Setting prohibited. Specifying this value sets the TDRE bit to 1 and stops the download.</p>  |
| 4   | TDA4     | 0             | R/W |  |
| 3   | TDA3     | 0             | R/W |  |
| 2   | TDA2     | 0             | R/W |  |
| 1   | TDA1     | 0             | R/W |  |
| 0   | TDA0     | 0             | R/W |  |

### 21.3.2 Programming/Erasing Interface Parameter

The programming/erasing interface parameter specifies the operating frequency, storage place for program data, programming destination address, and erase block and exchanges the processing result for the downloaded on-chip program. This parameter uses the general registers of the CPU (ER0 and ER1) or the on-chip RAM area. The initial value is undefined at a power-on reset or in hardware standby mode.

When download, initialization, or on-chip program is executed, registers of the CPU except for ER0 and ER1 are stored. The return value of the processing result is written in ER0, ER1. Since the stack area is used for storing the registers except for ER0, ER1, the stack area must be saved at the processing start. (A maximum size of a stack area to be used is 128 bytes.)

The programming/erasing interface parameter is used in the following four items.

1. Download control
2. Initialization before programming or erasing
3. Programming
4. Erasing

These items use different parameters. The correspondence table is shown in table 21.4. The meaning of the bits in FPCR varies in each processing program: initialization, programming, or erasure. For details, see descriptions of FPCR for each process.

**Table 21.4 Parameters and Target Modes**

| Name of Parameter                           | Abbreviation | Down Load | Initializa-tion | Program-ming | Erasure | R/W | Initial Value | Alloca-tion  |
|---|--------------|-----------|-----------------|--------------|---------|-----|---------------|--------------|
| Download pass and fail result               | DPFR         | ○         | —               | —            | —       | R/W | Undefined     | On-chip RAM* |
| Flash pass and fail result                  | FPFR         | —         | ○               | ○            | ○       | R/W | Undefined     | R0L of CPU   |
| Flash programming/erasing frequency control | FPEFEQ       | —         | ○               | —            | —       | R/W | Undefined     | ER0 of CPU   |
| Flash user branch address set               | FUBRA        | —         | ○               | —            | —       | R/W | Undefined     | ER1 of CPU   |
| Flash multi-purpose address area            | FMPAR        | —         | —               | ○            | —       | R/W | Undefined     | ER1 of CPU   |
| Flash multi-purpose data destination area   | FMPDR        | —         | —               | ○            | —       | R/W | Undefined     | ER0 of CPU   |
| Flash erase block select                    | FEBS         | —         | —               | —            | ○       | R/W | Undefined     | R0L of CPU   |

Note: \* A single byte of the start address to download an on-chip program, which is specified by FTDAR.

### (1) Download Control

The on-chip program is automatically downloaded by setting the SCO bit to 1. The on-chip RAM area to be downloaded is the 128-kbyte area starting from the address specified by FTDAR.

Download control is set in the program/erase interface register, and the return value is passed using the DPFR parameter.

#### (a) Download pass/fail result parameter (DPFR: single byte of start address specified by FTDAR)

This parameter indicates the return value of the download result. The value of this parameter can be used to determine if downloading is executed or not. Since the confirmation whether the SCO bit is set to 1 is difficult, the certain determination must be performed by writing the single byte of the start address specified by FTDAR to the value other than the return value of download (for example, H'FF) before the download start (before setting the SCO bit to 1).



| Bit    | Bit Name | Initial Value | R/W | Description   |
|--------|----------|---------------|-----|---|
| 7 to 3 | —        | —             | —   | Unused<br>Return 0  |
| 2      | SS       | —             | R/W | Source Select Error Detect<br>Only one type for the on-chip program which can be downloaded can be specified. When more than two types of the program are selected, the program is not selected, or the program is selected without mapping, error is occurred.<br>0: Download program can be selected normally<br>1: Download error is occurred (multi-selection or program which is not mapped is selected) |
| 1      | FK       | —             | R/W | Flash Key Register Error Detect (FK)<br>Returns the check result whether the value of FKEY is set to H'A5.<br>0: KEY setting is normal (FKEY = H'A5)<br>1: Setting value of FKEY becomes error (FKEY = value other than H'A5)   |
| 0      | SF       | —             | R/W | Success/Fail<br>Returns the result whether download is ended normally or not. The determination result whether program that is downloaded to the on-chip RAM is read back and then transferred to the on-chip RAM is returned.<br>0: Downloading on-chip program is ended normally (no error)<br>1: Downloading on-chip program is ended abnormally (error occurs)  |

## (2) Programming/Erasing Initialization

The on-chip programming/erasing program to be downloaded includes the initialization program.

The specified period pulse must be applied when programming or erasing. The specified pulse width is made by the method in which wait loop is configured by the CPU instruction. The operating frequency of the CPU must be set.

The initial program is set as a parameter of the programming/erasing program which has downloaded these settings.

### (a) Flash programming/erasing frequency parameter (FPEFEQ: general register ER0 of CPU)

This parameter sets the operating frequency of the CPU and enables the user branch function.

| Bit      | Bit Name        | Initial Value | R/W | Description   |
|----------|-----------------|---------------|-----|---|
| 31 to 16 | FUBF15 to FUBF0 | —             | R/W | Set to H'AA55 if the user branch function is enabled by the flash user branch enable bit. Otherwise, set to H'0000.   |
| 15 to 0  | F15 to F0       | —             | R/W | <p>Frequency Set</p> <p>Set the operating frequency of the CPU. The setting value must be calculated as the following methods.</p> <ol style="list-style-type: none"> <li>The operating frequency which is shown in MHz units must be rounded in a number to three decimal places and be shown in a number of two decimal places.</li> <li>The value multiplied by 100 is converted to the binary digit and is written to the FPEFEQ parameter (general register ER0).</li> </ol> <p>For example, when the operating frequency of the CPU is 35.000 MHz, the value is as follows.</p> <ol style="list-style-type: none"> <li>The number to three decimal places of 35.000 is rounded and the value is thus 35.00.</li> <li>The formula that <math>35.00 \times 100 = 3500</math> is converted to the binary digit and B'0000,1101,1010,1100 (H'0DAC) is set to R0.</li> </ol> |

## (b) Flash user branch address setting parameter (FUBRA: general register ER1 of CPU)

This parameter sets the user branch destination address. A specified user program can be used to perform programming or erasing of processing units of predetermined size. When using the user branch function, set the flash user branch enable bits in FPEFEQ to H'AA55 in addition to the settings in this register.

| Bit     | Bit Name    | Initial Value | R/W | Description  |
|---------|-------------|---------------|-----|--|
| 31 to 0 | UA31 to UA0 | —             | —   | <p>User branch destination address</p> <p>The user branch destination should be located in a space in RAM other than that to which internal programs are transferred or the external bus space.</p> <p>Be careful not to cause program runaway by branching to an area without execution codes, and do not destroy an area to which internal programs are downloaded or a stack area. The contents of flash memory cannot be guaranteed if program runaway occurs or if download or stack areas are destroyed.</p> <p>The user branch destination processing should not initiate downloading of internal programs, initialization, programming, or erasing. Programming or erasing cannot be guaranteed when returning from the user branch destination. Also, take care not to rewrite previously prepared programming data.</p> <p>Furthermore, do not rewrite program/erase interface registers as part of the user branch destination processing.</p> <p>After user branch processing completes, use the RTS instruction to return to the program/erase program.</p> |

(c) Flash pass/fail parameter (FPFR: general register R0L of CPU)

This parameter indicates the return value of the initialization result.

| Bit    | Bit Name | Initial Value | R/W | Description  |
|--------|----------|---------------|-----|--|
| 7 to 3 | —        | —             | —   | Unused<br>Return 0   |
| 2      | BR       | —             | R/W | User Branch Error Detect (BR)<br>Returns the check result whether the specified user branch destination address is in the area other than the storage area of the programming/erasing program which has been downloaded.<br>0: User branch address setting is normal<br>1: User branch address setting is abnormal |
| 1      | FQ       | —             | R/W | Frequency Error Detect<br>Returns the check result whether the specified operating frequency of the CPU is in the range of the supported operating frequency.<br>0: Setting of operating frequency is normal<br>1: Setting of operating frequency is abnormal  |
| 0      | SF       | —             | R/W | Success/Fail<br>Indicates whether initialization is completed normally.<br>0: Initialization is ended normally (no error)<br>1: Initialization is ended abnormally (error occurs)  |

### (3) Programming Execution

When flash memory is programmed, the programming destination address on the user MAT must be passed to the programming program in which the program data is downloaded.

1. The start address of the programming destination on the user MAT must be stored in a general register ER1. This parameter is called as FMPAR (flash multipurpose address area parameter). Since the program data is always in units of 128 bytes, the lower eight bits (A7 to A0) must be H'00 or H'80 as the boundary of the programming start address on the user MAT.
2. The program data for the user MAT must be prepared in the consecutive area. The program data must be in the consecutive space which can be accessed by using the MOV.B instruction of the CPU and in other than the flash memory space.

When data to be programmed does not satisfy 128 bytes, the 128-byte program data must be prepared by filling with the dummy code H'FF.

The start address of the area in which the prepared program data is stored must be stored in a general register ER0. This parameter is called as FMPDR (flash multipurpose data destination area parameter).

For details on the program processing procedure, see section 21.4.2, User Program Mode.

(a) Flash multipurpose address area parameter (FMPAR: general register ER1 of CPU)

This parameter stores the start address of the programming destination on the user MAT.

When the address in the area other than flash memory space is set, an error occurs.

The start address of the programming destination must be at the 128-byte boundary. If this boundary condition is not satisfied, an error occurs. The error occurrence is indicated by the WA bit (bit 1) in FPFRR.

| Bit     | Bit Name      | Initial Value | R/W | Description   |
|---------|---------------|---------------|-----|---|
| 31 to 0 | MOA31 to MOA0 | —             | R/W | Store the start address of the programming destination on the user MAT. The consecutive 128-byte programming is executed starting from the specified start address of the user MAT. Therefore, the specified programming start address becomes a 128-byte boundary and MOA6 to MOA0 are always 0. |

(b) Flash multipurpose data destination parameter (FMPDR: general register ER0 of CPU):

This parameter stores the start address in the area which stores the data to be programmed in the user MAT. When the storage destination of the program data is in flash memory, an error occurs. The error occurrence is indicated by the WD bit in FPFRR.

| Bit     | Bit Name      | Initial Value | R/W | Description  |
|---------|---------------|---------------|-----|--|
| 31 to 0 | MOD31 to MOD0 | —             | R/W | Store the start address of the area which stores the program data for the user MAT. The consecutive 128-byte data is programmed to the user MAT starting from the specified start address. |

## (c) Flash pass/fail parameter (FPFR: general register R0L of CPU)

This parameter indicates the return value of the program processing result.

| Bit | Bit Name | Initial Value | R/W | Description  |
|-----|----------|---------------|-----|--|
| 7   | —        | —             | —   | Unused<br>Returns 0.   |
| 6   | MD       | —             | R/W | <p>Programming Mode Related Setting Error Detect</p> <p>Returns the check result that the error protection state is not entered. When the error protection state is entered, 1 is written to this bit. The state can be confirmed with the FLER bit in FCCS. For conditions to enter the error protection state, see section 21.5.3, Error Protection.</p> <p>0: FLER setting is normal (FLER = 0)<br/>1: Programming cannot be performed (FLER = 1)</p>   |
| 5   | EE       | —             | R/W | <p>Programming Execution Error Detect</p> <p>1 is returned to this bit when the specified data could not be written because the user MAT was not erased or when flash-memory related register settings are partially changed on returning from the user branch processing. If this bit is set to 1, there is a high possibility that the user MAT is partially rewritten. In this case, after removing the error factor, erase the user MAT.</p> <p>If FMATS is set to H'AA and the user boot MAT is selected, an error occurs when programming is performed. In this case, both the user MAT and user boot MAT are not rewritten. Programming of the user boot MAT should be performed in boot mode or PROM mode.</p> <p>0: Programming has ended normally<br/>1: Programming has ended abnormally (programming result is not guaranteed)</p> |
| 4   | FK       | —             | R/W | <p>Flash Key Register Error Detect</p> <p>Returns the check result of the value of FKEY before the start of the programming processing.</p> <p>0: FKEY setting is normal (FKEY = H'5A)<br/>1: FKEY setting is error (FKEY = value other than H'5A)</p>   |
| 3   | —        | —             | —   | Unused<br>Returns 0.   |

| Bit | Bit Name | Initial Value | R/W | Description   |
|-----|----------|---------------|-----|---|
| 2   | WD       | —             | R/W | <p>Write Data Address Detect</p> <p>When the address in the flash memory area is specified as the start address of the storage destination of the program data, an error occurs.</p> <p>0: Setting of write data address is normal<br/>1: Setting of write data address is abnormal</p>   |
| 1   | WA       | —             | R/W | <p>Write Address Error Detect</p> <p>When the following items are specified as the start address of the programming destination, an error occurs.</p> <ul style="list-style-type: none"> <li>• When the programming destination address in the area other than flash memory is specified</li> <li>• When the specified address is not a 128-byte boundary (the value of A6 to A0 is not H'0).</li> </ul> <p>0: Setting of programming destination address is normal<br/>1: Setting of programming destination address is abnormal</p> |
| 0   | SF       | —             | R/W | <p>Success/Fail</p> <p>Indicates whether the program processing is ended normally or not.</p> <p>0: Programming is ended normally (no error)<br/>1: Programming is ended abnormally (error occurs)</p>  |

#### (4) Erasure Execution

When flash memory is erased, the erase-block number on the user MAT must be passed to the erasing program which is downloaded. This is set to the FEBS parameter (general register ER0).

One block is specified from the block number 0 to 15.

For details on the erasing processing procedure, see section 21.4.2, User Program Mode.

## (a) Flash erase block select parameter (FEBS: general register ER0 of CPU)

This parameter specifies the erase-block number.

| Bit     | Bit Name     | Initial Value | R/W | Description   |
|---------|--------------|---------------|-----|---|
| 31 to 8 | —            | —             | —   | Unused<br>These bits should be cleared to H'0.  |
| 7 to 0  | EBN7 to EBN0 | —             | R/W | Erase Block Number<br>Set an erase-block number within the range from 0 to 15. H'00 corresponds to the EB0 block and H'0F corresponds to the EB15 block. An error occurs if a number outside the range from H'00 to H'0F* is set. |

Note: \* For the H8S/2372, H8S/2371, H8S/2370, H8S/2372R, H8S/2371R, and H8S/2370R choose a setting value within the range from H'00 to H'0B. For the H8S/2374 and H8S/2374R, choose a setting value within the range from H'00 to H'0D.

## (b) Flash pass/fail parameter (FPFR: general register R0L of CPU)

This parameter returns value of the erasing processing result.

| Bit | Bit Name | Initial Value | R/W | Description  |
|-----|----------|---------------|-----|--|
| 7   | —        | —             | —   | Unused<br>Return 0.  |
| 6   | MD       | —             | R/W | Programming Mode Related Setting Error Detect<br>Returns the check result of whether the error protection state is entered. The error protection state is entered, 1 is written to this bit. The error protection state can be confirmed with the FLER bit in FCCS. For conditions to enter the error protection state, see section 21.5.3, Error Protection.<br>0: FLER setting is normal (FLER = 0)<br>1: FLER = 1 and programming cannot be performed |



| Bit  | Bit Name | Initial Value | R/W | Description  |
|------|----------|---------------|-----|--|
| 5    | EE       | —             | R/W | <p>Erase Execution Error Detect</p> <p>1 is returned to this bit when the user MAT could not be erased or when flash-memory related register settings are partially changed on returning from the user branch processing. If this bit is set to 1, there is a high possibility that the user MAT is partially erased. In this case, after removing the error factor, erase the user MAT. If FMATS is set to H'AA and the user boot MAT is selected, an error occurs when erasure is performed. In this case, both the user MAT and user boot MAT are not erased. Erasing of the user boot MAT should be performed in boot mode or PROM mode.</p> <p>0: Erasure has ended normally<br/>1: Erasure has ended abnormally (erasure result is not guaranteed)</p> |
| 4    | FK       | —             | R/W | <p>Flash Key Register Error Detect</p> <p>Returns the check result of FKEY value before start of the erasing processing.</p> <p>0: FKEY setting is normal (FKEY = H'5A)<br/>1: FKEY setting is error (FKEY = value other than H'5A)</p>  |
| 3    | EB       | —             | R/W | <p>Erase Block Select Error Detect</p> <p>Returns the check result whether the specified erase-block number is in the block range of the user MAT.</p> <p>0: Setting of erase-block number is normal<br/>1: Setting of erase-block number is abnormal</p>  |
| 2, 1 | —        | —             | —   | <p>Unused</p> <p>Return 0.</p>   |
| 0    | SF       | —             | R/W | <p>Success/Fail</p> <p>Indicates whether the erasing processing is ended normally or not.</p> <p>0: Erasure is ended normally (no error)<br/>1: Erasure is ended abnormally (error occurs)</p>   |

### 21.3.3 Flash Vector Address Control Register (FVACR)

FVACR modifies the space from which the vector table data of the NMI interrupts is read. Normally the vector table data is read from the address spaces from H'00001C to H'00001F.

However, the vector table can be read from the on-chip RAM by the FVACR setting. FVACR is initialized to H'00 at a power-on reset or in hardware standby mode.

All interrupts including NMI must be prohibited in the programming/erasing processing or during downloading on-chip program. When the NMI interrupt is necessary, FVACR must be set and the interrupt exception processing routine must be set in the on-chip RAM space or in the external space.

| Bit    | Bit Name | Initial Value | R/W | Description   |
|--------|----------|---------------|-----|---|
| 7      | FVCHGE   | 0             | R/W | <p>Vector Switch Function Valid</p> <p>Selects whether the function for modifying the space from which the vector table data is read is valid or invalid. When FVCHGE = 1, the vector table data can be read from the on-chip RAM space.</p> <p>0: Function for modifying the space from which the vector table data is read is invalid (Initial value)</p> <p>1: Function for modifying the space from which the vector table data is read is valid</p>          |
| 6 to 4 | —        | All 0         | R   | <p>Reserved</p> <p>These bits are always read as 0. The write value should always be 0.</p>   |
| 3      | FVSEL3   | 0             | R/W | Interrupt Source Select   |
| 2      | FVSEL2   | 0             | R/W | <p>The vector table of the NMI interrupt processing can be in the on-chip RAM space by setting this bit.</p> <p>0000: Vector table data is in area 0 (H'00001C to H'00001F)</p> <p>0001: Setting prohibited</p> <p>001x: Setting prohibited</p> <p>01xx: Setting prohibited</p> <p>1000: Vector table data is in the on-chip RAM space (H'FFA01C to H'FFA01F)</p> <p>1001: Setting prohibited</p> <p>101x: Setting prohibited</p> <p>11xx: Setting prohibited</p> |
| 1      | FVSEL1   | 0             | R/W |   |
| 0      | FVSEL0   | 0             | R/W |   |
|        |          |               |     |   |

Legend:

x: Don't care

## 21.4 On-Board Programming Mode

When the pin is set in on-board programming mode and the reset start is executed, the on-board programming state that can program/erase the on-chip flash memory is entered. On-board programming mode has three operating modes: user programming mode, user boot mode, and boot mode.

For details of the pin setting for entering each mode, see table 21.5. User programming mode can be used by setting the control bit (FLSHE) by software. For details of the state transition of each mode for flash memory, see figure 21.2.

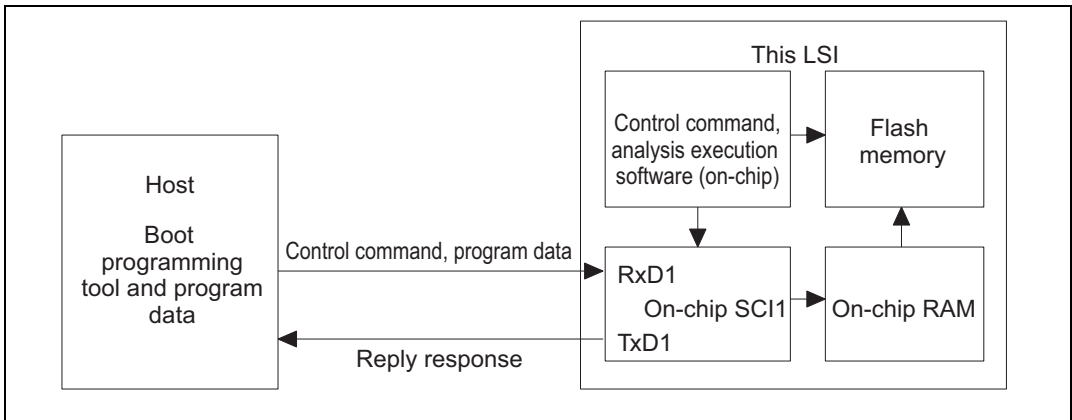
**Table 21.5 Setting On-Board Programming Mode**

| Mode Setting   |               | MD2 | MD1 | MD0 |
|----------------|---------------|-----|-----|-----|
| Boot mode      | Advanced mode | 0   | 1   | 1   |
| User boot mode | Advanced mode | 1   | 0   | 1   |

### 21.4.1 Boot Mode

Boot mode executes programming/erasing user MAT and user boot MAT by means of the control command and program data transmitted from the host using the on-chip SCI. The tool for transmitting the control command and program data must be prepared in the host. The SCI communication mode is set to asynchronous mode. When reset start is executed after this LSI's pin is set in boot mode, the boot program in the microcomputer is initiated. After the SCI bit rate is automatically adjusted, the communication with the host is executed by means of the control command method.

The system configuration diagram in boot mode is shown in figure 21.6. For details on the pin setting in boot mode, see table 21.5. The NMI and other interrupts are ignored in boot mode. However, the NMI and other interrupts should be disabled in the user system.

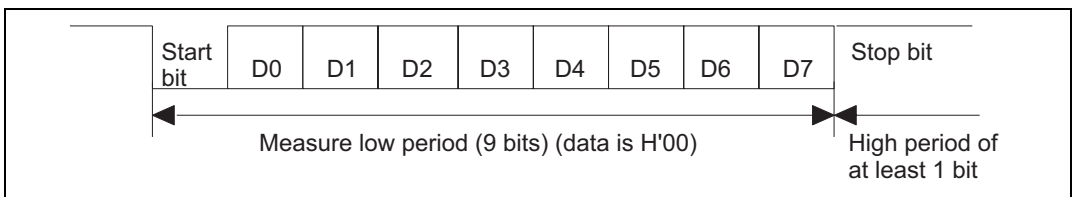


**Figure 21.6 System Configuration in Boot Mode**

### (1) SCI Interface Setting by Host

When boot mode is initiated, this LSI measures the low period of asynchronous SCI-communication data (H'00), which is transmitted consecutively by the host. The SCI transmit/receive format is set to 8-bit data, 1 stop bit, and no parity. This LSI calculates the bit rate of transmission by the host by means of the measured low period and transmits the bit adjustment end sign (1 byte of H'00) to the host. The host must confirm that this bit adjustment end sign (H'00) has been received normally and transmits 1 byte of H'55 to this LSI. When reception is not executed normally, boot mode is initiated again (reset) and the operation described above must be executed. The bit rate between the host and this LSI is not matched by the bit rate of transmission by the host and system clock frequency of this LSI. To operate the SCI normally, the transfer bit rate of the host must be set to 9,600 bps or 19,200 bps.

The system clock frequency, which can automatically adjust the transfer bit rate of the host and the bit rate of this LSI, is shown in table 21.6. Boot mode must be initiated in the range of this system clock.



**Figure 21.7 Automatic-Bit-Rate Adjustment Operation of SCI**

**Table 21.6 System Clock Frequency for Automatic-Bit-Rate Adjustment by This LSI**

| Bit Rate of Host | System Clock Frequency |
|------------------|------------------------|
| 9,600 bps        | 8 to 25 MHz            |
| 19,200 bps       | 8 to 25 MHz            |

**(2) State Transition Diagram**

The overview of the state transition diagram after boot mode is initiated is shown in figure 21.8.

## 1. Bit rate adjustment

After boot mode is initiated, the bit rate of the SCI interface is adjusted with that of the host.

## 2. Waiting for inquiry set command

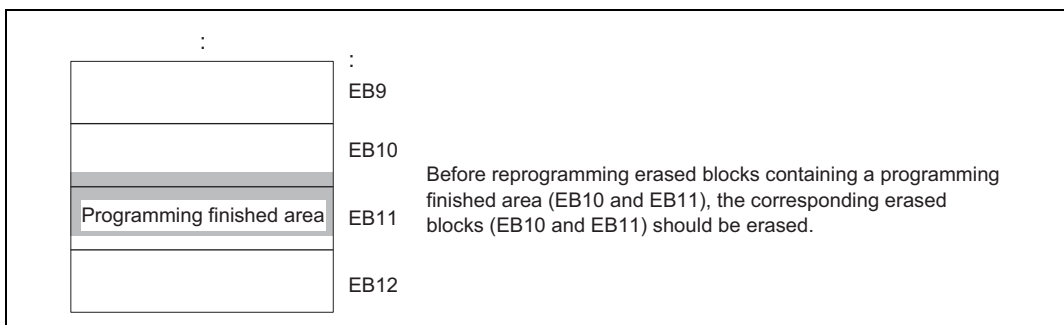
For inquiries about user-MAT size and configuration, MAT start address, and support state, the required information is transmitted to the host.

## 3. Automatic erasure of all user MAT and user boot MAT

After inquiries have finished, all user MAT and user boot MAT are automatically erased.

## 4. Waiting for programming/erasing command

— When the program preparation notice is received, the state for waiting program data is entered. The programming start address and program data must be transmitted following the programming command. When programming is finished, the programming start address must be set to H'FFFFFFF and transmitted. Then the state for waiting program data is returned to the state of programming/erasing command wait. Before reprogramming erased blocks containing a programming finished area for which the programming finished command has been issued, make sure to erase the corresponding erased blocks.



— When the erasure preparation notice is received, the state for waiting erase-block data is entered. The erase-block number must be transmitted following the erasing command.

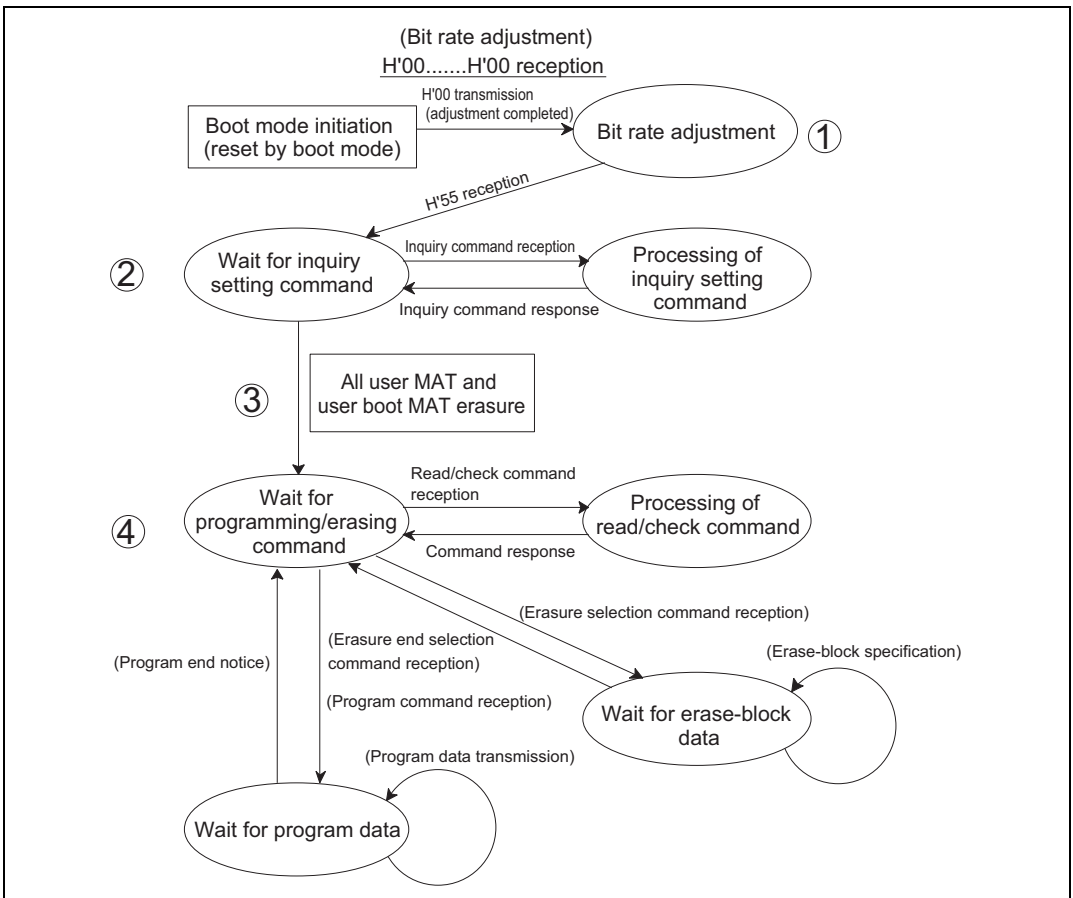
When the erasure is finished, the erase-block number must be set to H'FFF and transmitted.

Then the state for waiting erase-block data is returned to the state for waiting

programming/erasing command. The erasure must be used when the specified block is programmed without a reset start after programming is executed in boot mode. When programming can be executed by only one operation, all blocks are erased before the state for waiting programming/erasing/other command is entered. The erasing operation is not required.

- There are many commands other than programming/erasing. Examples are sum check, blank check (erasure check), and memory read of the user MAT/user boot MAT and acquisition of current status information.

Note that memory read of the user MAT/user boot MAT can only read the programmed data after all user MAT/user boot MAT has automatically been erased.



**Figure 21.8 Overview of Boot Mode State Transition Diagram**

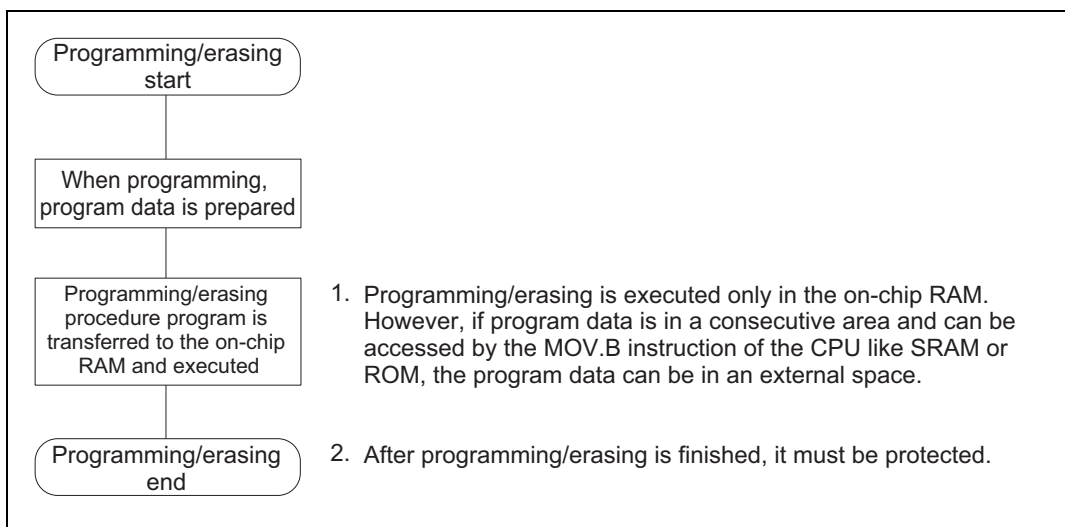
### 21.4.2 User Program Mode

The user MAT can be programmed/erased in user program mode. (The user boot MAT cannot be programmed/erased.)

Programming/erasing is executed by downloading the program in the microcomputer.

The overview flow is shown in figure 21.9.

High voltage is applied to internal flash memory during the programming/erasing processing. Therefore, transition to reset or hardware standby must not be executed. Doing so may cause damage or destroy flash memory. If reset is executed accidentally, reset must be released after the reset input period, which is longer than normal 100  $\mu$ s.

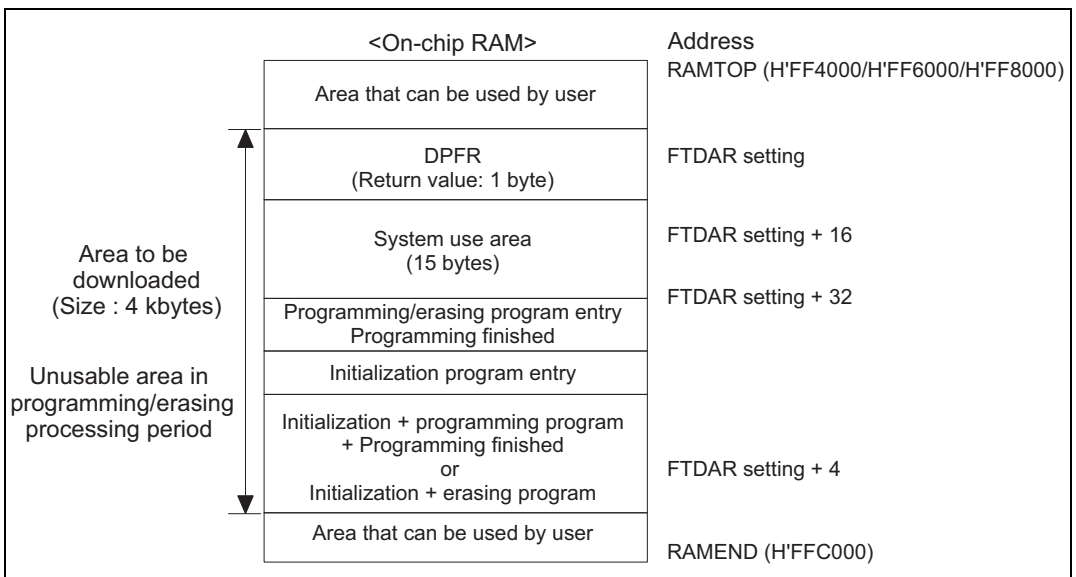


**Figure 21.9 Programming/Erasing Overview Flow**

**(1) On-Chip RAM Address Map when Programming/Erasing Is Executed**

Parts of the procedure program that are made by the user, like download request, programming/erasing procedure, and determination of the result, must be executed in the on-chip RAM. The on-chip program that is to be downloaded is all in the on-chip RAM. Note that area in the on-chip RAM must be controlled so that these parts do not overlap.

Figure 21.10 shows the program area to be downloaded.

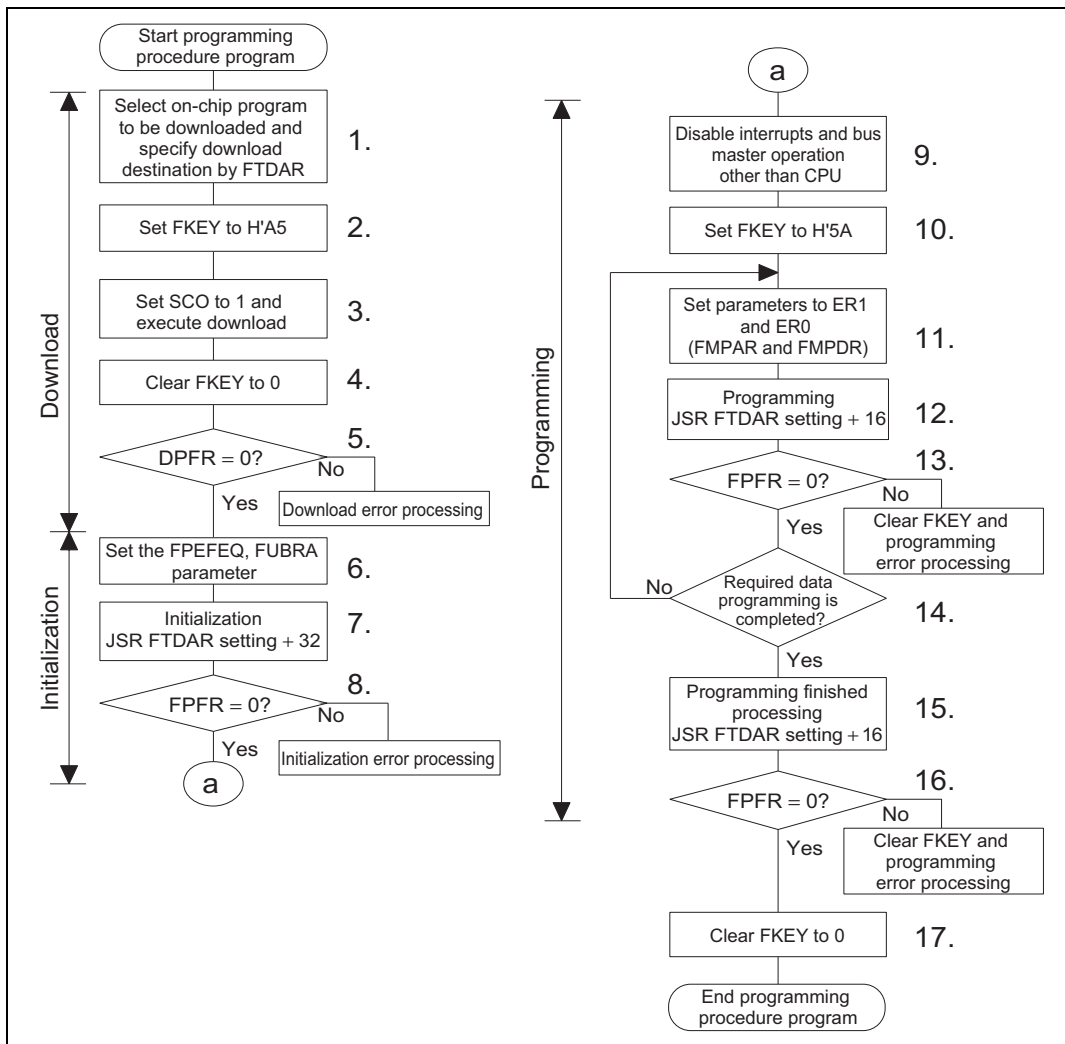


**Figure 21.10 RAM Map when Programming/Erasing Is Executed**



**(2) Programming Procedure in User Program Mode**

The procedures for download, initialization, and programming are shown in figure 21.11.



**Figure 21.11 Programming Procedure**

The procedure program must be executed in an area other than the flash memory to be programmed. Especially the part where the SCO bit in FCCS is set to 1 for downloading must be executed in the on-chip RAM.

The area that can be executed in the steps of the user procedure program (on-chip RAM, user MAT, and external space) is shown in section 21.4.4, Procedure Program and Storable Area for Programming Data.

The following description assumes the area to be programmed on the user MAT is erased and program data is prepared in the consecutive area. When erasing is not executed, erasing is executed before writing.

128-byte programming is performed in one program processing. When more than 128-byte programming is performed, programming destination address/program data parameter is updated in 128-byte units and programming is repeated.

When less than 128-byte programming is performed, data must total 128 bytes by adding the invalid data. If the dummy data to be added is H'FF, the program processing period can be shortened.

1. Select the on-chip program to be downloaded and specify a download destination  
When the PPVS bit of FPCS is set to 1, the programming program is selected. Several programming/erasing programs cannot be selected at one time. If several programs are set, download is not performed and a download error is returned to the SS bit in DPFR. The start address of a download destination is specified by FTDAR.

2. Program H'A5 in FKEY  
If H'A5 is not written to FKEY for protection, 1 cannot be written to the SCO bit for download request.

3. 1 is written to the SCO bit of FCCS and then download is executed.  
To write 1 to the SCO bit, the following conditions must be satisfied.  
— H'A5 is written to FKEY.  
— The SCO bit writing is executed in the on-chip RAM.

When the SCO bit is set to 1, download is started automatically. When the SCO bit is returned to the user procedure program, the SCO is cleared to 0. Therefore, the SCO bit cannot be confirmed to be 1 in the user procedure program.

The download result can be confirmed only by the return value of DPFR. Before the SCO bit is set to 1, incorrect determination must be prevented by setting the one byte of the start address (to be used as DPFR) specified by FTDAR to a value other than the return value (H'FF).

When download is executed, particular interrupt processing, which is accompanied by the bank switch as described below, is performed as an internal microcomputer processing. Four NOP instructions are executed immediately after the instructions that set the SCO bit to 1.

- The user-MAT space is switched to the on-chip program storage area.
- After the selection condition of the download program and the FTDAR setting are checked, the transfer processing to the on-chip RAM specified by FTDAR is executed.
- The SCO bits in FPCS, FECS, and FCCS are cleared to 0.
- The return value is set to the DPFR parameter.
- After the on-chip program storage area is returned to the user-MAT space, the user procedure program is returned.

The notes on download are as follows.

- In the download processing, the values of general registers of the CPU are held.
  - In the download processing, any interrupts are not accepted. However, interrupt requests other than the NMI are held. Therefore, when the user procedure program is returned, the NMI interrupts occur. NMI requests are discarded if the FVACR value is H'00. However, if H'88 has been written to FVACR, they are held and the interrupts are generated when processing returns to the user procedure program.
  - The sources of the interrupt requests from the on-chip module and at the falling edge of the IRQ are held during downloading. The refresh cycles for the DRAM can be inserted.
  - When the level-detection interrupt requests are to be held, interrupts must be input until the download is ended.
  - When hardware standby mode is entered during download processing, the normal download cannot be guaranteed in the on-chip RAM. Therefore, download must be executed again.
  - Since a stack area of a maximum 128-byte is used, the area must be allocated before setting the SCO bit to 1.
  - If a flash memory access by the DMAC, DTC, or  $\overline{\text{BREQ}}$  signal is requested during downloading, the operation cannot be guaranteed. Therefore, an access request by the DMAC, DTC, or  $\overline{\text{BREQ}}$  signal must not be generated.
4. FKEY is cleared to H'00 for protection.
  5. The value of the DPFR parameter must be checked and the download result must be confirmed.
    - Check the value of the DPFR parameter (one byte of start address of the download destination specified by FTDAR). If the value is H'00, download has been performed normally. If the value is not H'00, the source that caused download to fail can be investigated by the description below.
    - If the value of the DPFR parameter is the same as before downloading (e.g. H'FF), the address setting of the download destination in FTDAR may be abnormal. In this case, confirm the setting of the TDER bit (bit 7) in FTDAR.

— If the value of the DPFR parameter is different from before downloading, check the SS bit (bit 2) and the FK bit (bit 1) in the DPFR parameter to ensure that the download program selection and FKEY setting were normal, respectively.

## 6. The FPEFEQ and FUBRA parameters are set for initialization.

— The current frequency of the CPU clock is set to the FPEFEQ parameter (general register ER0).

The allowable setting range for the FPEFEQ parameter is 8 MHz to 34 MHz\*. When the frequency is set to out of this range, an error is returned to the FPFR parameter of the initialization program and initialization is not performed. For details on the frequency setting, see the description in 21.3.2 (2) (a), Flash programming/erasing frequency parameter (FPEFEQ: general register ER0 of CPU).

— Set the user branch destination address as the FUBRA parameter (general register ER1) and the user branch enable bits (FUBE15 to FUBE0) as the FPEFEQ parameter (general register ER0). Set FUBRA and FUBE15 to FUBE0 to 0 if the user branch function is not required.

Do use programmable user MAT as the user branch destination. Also, do not use an area containing a downloaded internal program as the user branch destination. After user branch processing completes, use the RTS instruction to return to programming processing.

For details, see the descriptions in 21.3.2 (2) (a), Flash programming/erasing frequency parameter (FPEFEQ: general register ER0 of CPU), and 21.3.2 (2) (b), Flash user branch address setting parameter (FUBRA: general register ER1 of CPU).

Note: \* 8 to 35 MHz in H8S/2378.

## 7. Initialization

When a programming program is downloaded, the initialization program is also downloaded to the on-chip RAM. There is an entry point of the initialization program in the area from the start address specified by FTDAR + 32 bytes of the on-chip RAM. The subroutine is called and initialization is executed by using the following steps.

|       |                |                             |
|-------|----------------|-----------------------------|
| MOV.L | DLTOP+32, ER2; | Set entry address to ER2    |
| JSR   | @ER2;          | Call initialization routine |
| NOP   |                |                             |

— The general registers other than ER0, ER1 are held in the initialization program.

— R0L is a return value of the FPFR parameter.

— Since the stack area is used in the initialization program, a stack area of a maximum 128 bytes must be allocated in RAM.

- Interrupts can be accepted during the execution of the initialization program. The program storage area and stack area in the on-chip RAM and register values must not be destroyed.
8. The return value in the initialization program, FPFR (general register R0L) is determined.
  9. All interrupts and the use of a bus master other than the CPU are prohibited.  
The specified voltage is applied for the specified time when programming or erasing. If interrupts occur or the bus mastership is moved to other than the CPU during this time, the voltage for more than the specified time will be applied and flash memory may be damaged. Therefore, interrupts, movement of bus mastership to other than the CPU (DMAC, DTC, or  $\overline{\text{BREQ}}$ ), and transition to DRAM refresh cycles are prohibited.

To prohibit the interrupt, bit 7 (I) in the condition code register (CCR) of the CPU should be set to B'1 in interrupt control mode 0 or bits 2 to 0 (I2 to I0) in the extend control register of the CPU should be set to B'111 in interrupt control mode 2. Then interrupts other than NMI are held and are not executed.

The NMI interrupts must be masked within the user system.

The interrupts that are held must be executed after all program processing.

When the bus mastership is moved to other than the CPU by the DMAC, DTC, or  $\overline{\text{BREQ}}$  signal or DRAM refresh cycles are entered, the error protection state is entered. Therefore, taking bus mastership by the DMAC, DTC, or  $\overline{\text{BREQ}}$  signal is prohibited.

10. FKEY must be set to H'5A and the user MAT must be prepared for programming.
11. The parameter which is required for programming is set.

The start address of the programming destination of the user MAT (FMPAR) is set to general register ER1. The start address of the program data area (FMPDR) is set to general register ER0.

— Example of the FMPAR setting

FMPAR specifies the programming destination address. When an address other than one in the user MAT area is specified, even if the programming program is executed, programming is not executed and an error is returned to the return value parameter FPFR. Since the unit is 128 bytes, the lower eight bits (A7 to A0) must be H'00 or H'80 as the boundary of 128 bytes.

— Example of the FMPDR setting

When the storage destination of the program data is flash memory, even if the program execution routine is executed, programming is not executed and an error is returned to the FPFR parameter. In this case, the program data must be transferred to the on-chip RAM and then programming must be executed.

## 12. Programming

There is an entry point of the programming program in the area from the start address specified by FTDAR + 16 bytes of the on-chip RAM. The subroutine is called and programming is executed by using the following steps.

|       |                 |                          |
|-------|-----------------|--------------------------|
| MOV.L | #DLTOP+16, ER2; | Set entry address to ER2 |
| JSR   | @ER2;           | Call programming routine |
| NOB   |                 |                          |

- The general registers other than ER0 and ER1 are held in the programming program.
- R0L is a return value of the FPFPR parameter.
- Since the stack area is used in the programming program, a stack area of a maximum 128 bytes must be allocated in RAM

13. The return value in the programming program, FPFPR (general register R0L) is determined.

14. Determine whether programming of the necessary data has finished.

If more than 128 bytes of data are to be programmed, specify FMPAR and FMPDR in 128-byte units, and repeat steps 12 to 14. Increment the programming destination address by 128 bytes and update the programming data pointer correctly. If an address which has already been programmed is written to again, not only will a programming error occur, but also flash memory will be damaged.

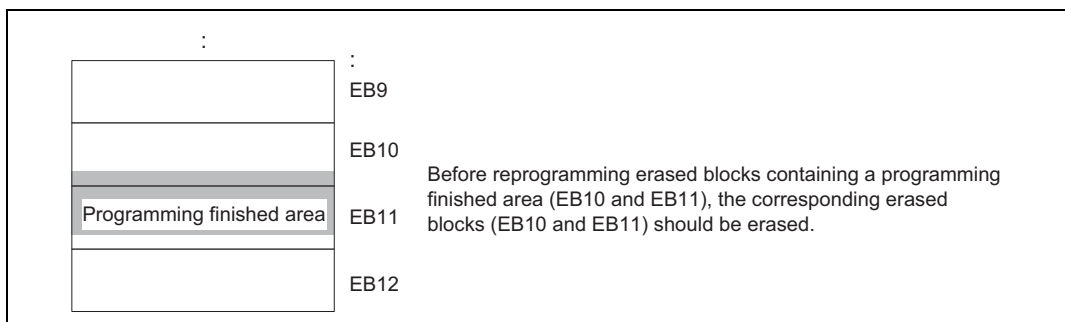
15. Execution of Programming Finished Processing

The entry point of the programming library is in the area beginning at the download destination start address specified by FTDAR plus 16 bytes. Subroutine calls should therefore be performed as follows.

|       |                    |                                   |
|-------|--------------------|-----------------------------------|
| MOV.L | #H' F0F0F0F0, ER0; |                                   |
| MOV.L | #H' 0F0F0F0F, ER2; |                                   |
| MOV.L | #DLTOP+16, ER2;    | Set entry address to ER2          |
| JSR   | @ER2;              | Call programming finished routine |

- Data is stored in a general register other than ER0, ER1 by the programming finished program.
- R0L is the return value of the FPFPR parameter.
- The programming finished program uses the stack area, so a maximum 128-byte stack area should be reserved in RAM beforehand.

- Only perform programming finished processing once per block. Even if multiple 128-byte programming operations have been performed to the same block, programming finished processing should only be carried out once. (Do not perform programming finished processing multiple times.) If it is necessary to reprogram blocks within a previously programmed area on which programming finished processing has been performed, first erase the blocks in question and then reprogram them.
- Programming finished processing should be performed on all blocks containing areas that have been programmed after initialization processing. For example, if programming finished processing is to be carried out once after programming blocks EB1 to EB3, programming finished processing should be performed individually on EB1, EB2, and EB3.
- Programming finished processing should be performed immediately after programming of the necessary data has completed. Caution is necessary because if an operation such as initialization processing, internal program downloading, rewriting an area of RAM that is a download destination, or MAT switching is performed before programming finished processing, programming will not take place correctly.



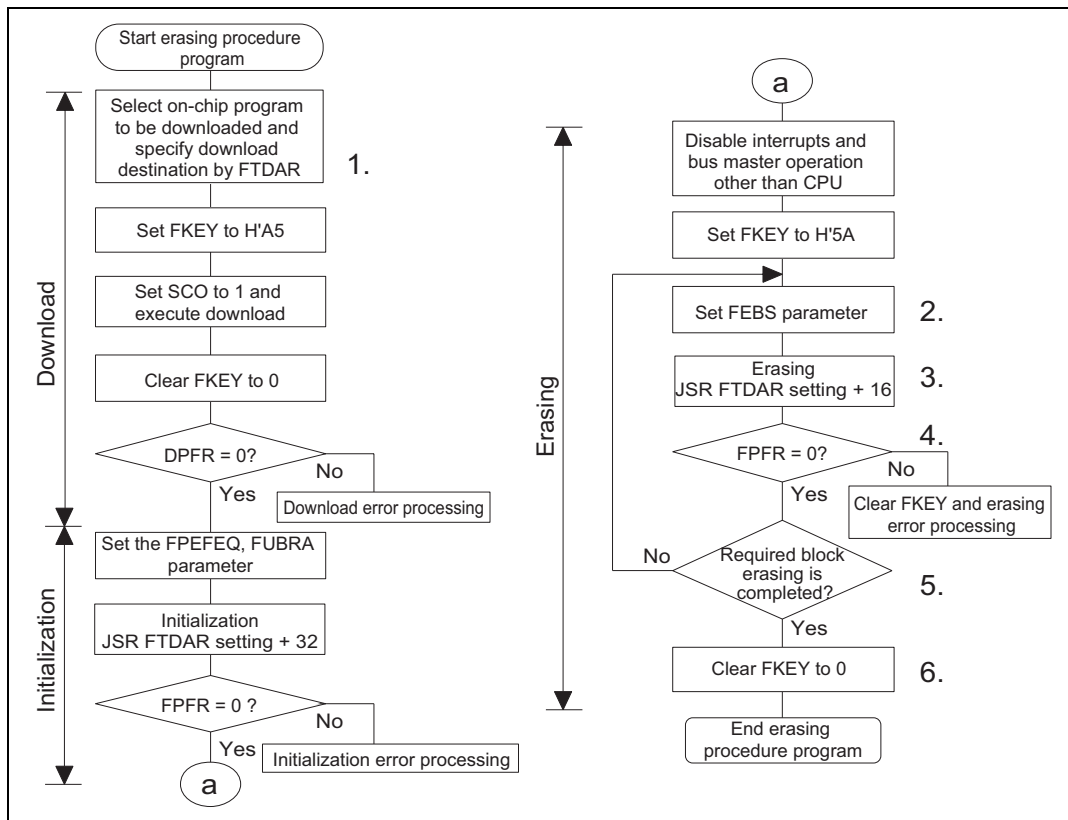
16. Determine the FPFR (general-purpose register R0L) value returned by the programming program.

17. After programming finishes, clear FKEY and specify software protection.

If this LSI is restarted by a power-on reset immediately after user MAT programming has finished, secure a reset period (period of  $\overline{\text{RES}} = 0$ ) that is at least as long as normal 100  $\mu$ s.

### (3) Erasing Procedure in User Program Mode

The procedures for download, initialization, and erasing are shown in figure 21.12.



**Figure 21.12 Erasing Procedure**

The procedure program must be executed in an area other than the user MAT to be erased. Especially the part where the SCO bit in FCCS is set to 1 for downloading must be executed in the on-chip RAM.

The area that can be executed in the steps of the user procedure program (on-chip RAM, user MAT, and external space) is shown in section 21.4.4, Procedure Program and Storable Area for Programming Data.

For the downloaded on-chip program area, refer to figure 21.10.



A single divided block is erased by one erasing processing. For block divisions, refer to figure 21.4. To erase two or more blocks, update the erase block number and perform the erasing processing for each block.

1. Select the on-chip program to be downloaded

Set the EPVB bit in FECS to 1.

Several programming/erasing programs cannot be selected at one time. If several programs are set, download is not performed and a download error is reported to the SS bit in the DPFR parameter.

Specify the start address of a download destination by FTDAR.

The procedures to be carried out after setting FKEY, e.g. download and initialization, are the same as those in the programming procedure. For details, refer to Programming Procedure in User Program Mode in section 21.4.2 (2) Programming Procedure in User Program Mode.

The procedures after setting parameters for erasing programs are as follows:

2. Set the FEBS parameter necessary for erasure

Set the erase block number of the user MAT in the flash erase block select parameter FEBS (general register ER0). If a value other than an erase block number of the user MAT is set, no block is erased even though the erasing program is executed, and an error is returned to the return value parameter FPF. R.

3. Erasure

Similar to as in programming, there is an entry point of the erasing program in the area from the start address of a download destination specified by FTDAR + 16 bytes of on-chip RAM. The subroutine is called and erasing is executed by using the following steps.

|        |                  |                          |
|--------|------------------|--------------------------|
| MOV .L | #DLTOP+16, ER2 ; | Set entry address to ER2 |
| JSR    | @ER2 ;           | Call erasing routine     |
| NO     |                  |                          |

- The general registers other than ER0, ER1 are held in the erasing program.
  - ROL is a return value of the FPF. R. parameter.
  - Since the stack area is used in the erasing program, a stack area of a maximum 128 bytes must be allocated in RAM
4. The return value in the erasing program, FPF. R. (general register ROL) is determined.

5. Determine whether erasure of the necessary blocks has completed.  
If more than one block is to be erased, update the FEBS parameter and repeat steps 3 to 5.  
Blocks that have already been erased can be erased again.
6. After erasure completes, clear FKEY and specify software protection.  
If this LSI is restarted by a power-on reset immediately after user MAT erasure has completed, secure a reset period (period of  $\overline{\text{RES}} = 0$ ) that is at least as long as normal 100  $\mu$ s.

### 21.4.3 User Boot Mode

This LSI has user boot mode which is initiated with different mode pin settings than those in user program mode or boot mode. User boot mode is a user-arbitrary boot mode, unlike boot mode that uses the on-chip SCI.

Only the user MAT can be programmed/erased in user boot mode. Programming/erasing of the user boot MAT is only enabled in boot mode or programmer mode.

#### (1) User Boot Mode Initiation

For the mode pin settings to start up user boot mode, see table 21.5.

When the reset start is executed in user boot mode, the built-in check routine runs. The user MAT and user boot MAT states are checked by this check routine.

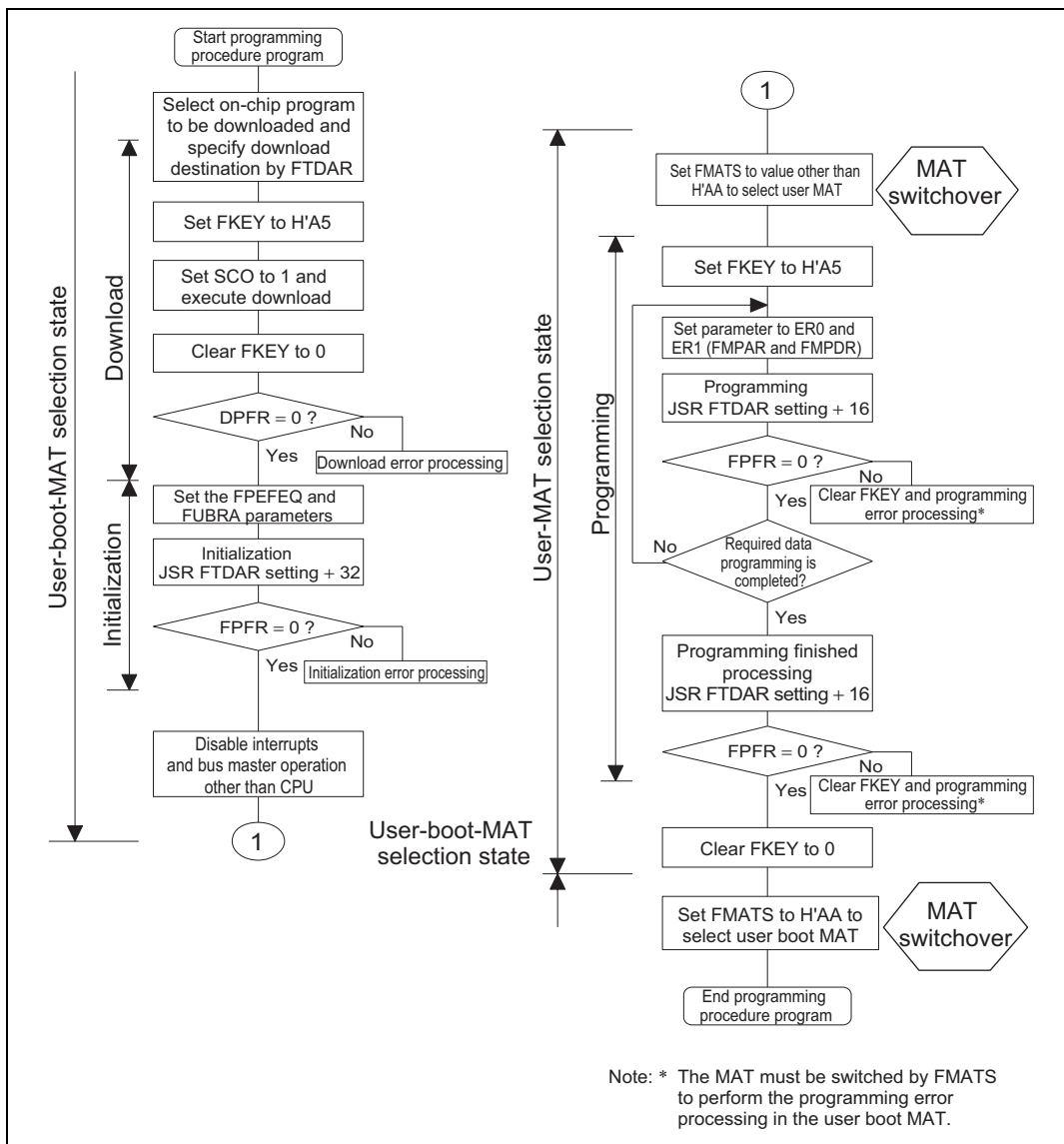
While the check routine is running, NMI and all other interrupts cannot be accepted.

Next, processing starts from the execution start address of the reset vector in the user boot MAT. At this point, H'AA is set to FMATS because the execution MAT is the user boot MAT.

#### (2) User MAT Programming in User Boot Mode

For programming the user MAT in user boot mode, additional processing made by setting FMATS are required: switching from user-boot-MAT selection state to user-MAT selection state, and switching back to user-boot-MAT selection state after programming completes.

Figure 21.13 shows the procedure for programming the user MAT in user boot mode.



**Figure 21.13 Procedure for Programming User MAT in User Boot Mode**

The difference between the programming procedures in user program mode and user boot mode is whether the MAT is switched or not as shown in figure 21.13.

In user boot mode, the user boot MAT can be seen in the flash memory space with the user MAT hidden in the background. The user MAT and user boot MAT are switched only while the user

MAT is being programmed. Because the user boot MAT is hidden while the user MAT is being programmed, the procedure program must be located in an area other than flash memory. After programming completes, switch the MATs again to return to the first state.

MAT switching is enabled by writing a specific value to FMATS. However note that while the MATs are being switched, the LSI is in an unstable state, e.g. access to a MAT is not allowed until MAT switching is completed, and if an interrupt occurs, from which MAT the interrupt vector is read is undetermined. Perform MAT switching in accordance with the description in section 21.6, Switching between User MAT and User Boot MAT.

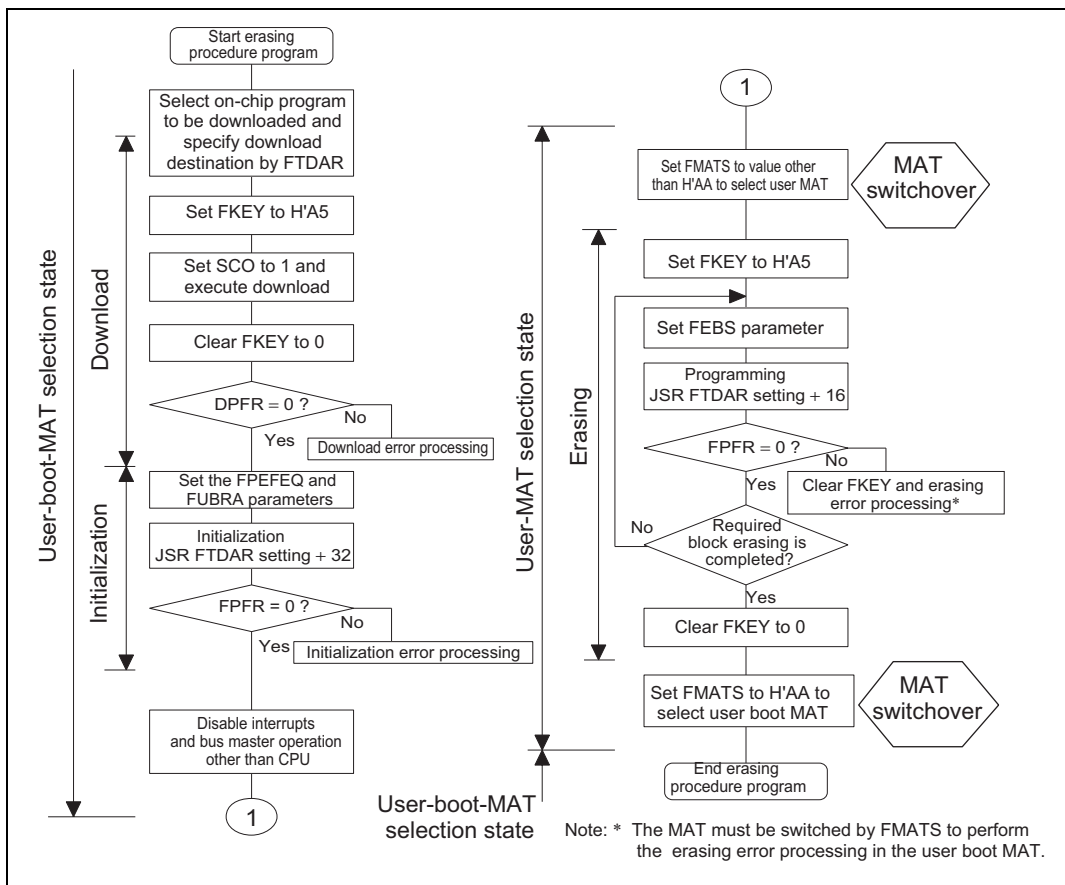
Except for MAT switching, the programming procedure is the same as that in user program mode.

The area that can be executed in the steps of the user procedure program (on-chip RAM, user MAT, and external space) is shown in section 21.4.4, Procedure Program and Storable Area for Programming Data.

### **(3) User MAT Erasing in User Boot Mode**

For erasing the user MAT in user boot mode, additional processing made by setting FMATS are required: switching from user-boot-MAT selection state to user-MAT selection state, and switching back to user-boot-MAT selection state after erasing completes.

Figure 21.14 shows the procedure for erasing the user MAT in user boot mode.



**Figure 21.14 Procedure for Erasing User MAT in User Boot Mode**

The difference between the erasing procedures in user program mode and user boot mode depends on whether the MAT is switched or not as shown in figure 21.14.

MAT switching is enabled by writing a specific value to FMATS. However note that while the MATs are being switched, the LSI is in an unstable state, e.g. access to a MAT is not allowed until MAT switching is completed, and if an interrupt occurs, from which MAT the interrupt vector is read is undetermined. Perform MAT switching in accordance with the description in section 21.6, Switching between User MAT and User Boot MAT.

Except for MAT switching, the erasing procedure is the same as that in user program mode.

The area that can be executed in the steps of the user procedure program (on-chip RAM, user MAT, and external space) is shown in section 21.4.4, Procedure Program and Storable Area for Programming Data.

#### 21.4.4 Procedure Program and Storable Area for Programming Data

In the descriptions in the previous section, the programming/erasing procedure programs and storable areas for program data are assumed to be in the on-chip RAM. However, the program and the data can be stored in and executed from other areas, such as part of flash memory which is not to be programmed or erased, or somewhere in the external address space.

##### (1) Conditions that Apply to Programming/Erasing

1. The on-chip programming/erasing program is downloaded from the address in the on-chip RAM specified by FTDAR, therefore, this area is not available for use.
2. The on-chip programming/erasing program will use the 128 bytes as a stack. So, make sure that this area is secured.
3. Download by setting the SCO bit to 1 will lead to switching of the MAT. If, therefore, this operation is used, it should be executed from the on-chip RAM.
4. The flash memory is accessible until the start of programming or erasing, that is, until the result of downloading has been determined. When in a mode in which the external address space is not accessible, such as single-chip mode, the required procedure programs, NMI handling vector and NMI handler should be transferred to the on-chip RAM before programming/erasing of the flash memory starts.
5. The flash memory is not accessible during programming/erasing operations, therefore, the operation program is downloaded to the on-chip RAM to be executed. The NMI-handling vector and programs such as that which activate the operation program, and NMI handler should thus be stored in on-chip memory other than flash memory or the external address space.
6. After programming/erasing, the flash memory should be inhibited until FKEY is cleared. The reset state ( $\overline{\text{RES}} = 0$ ) must be in place for more than 100  $\mu$ s when the LSI mode is changed to reset on completion of a programming/erasing operation.  
Transitions to the reset state, and hardware standby mode are inhibited during programming/erasing. When the reset signal is accidentally input to the chip, a longer period in the reset state than usual (100  $\mu$ s) is needed before the reset signal is released.
7. Switching of the MATs by FMATS should be needed when programming/erasing of the user boot MAT is operated in user-boot mode. The program which switches the MATs should be executed from the on-chip RAM. See section 21.6, Switching between User MAT and User

Boot MAT. Please make sure you know which MAT is selected when switching between them.

8. When the data storable area indicated by programming parameter FMPDR is within the flash memory area, an error will occur even when the data stored is normal. Therefore, the data should be transferred to the on-chip RAM to place the address that FMPDR indicates in an area other than the flash memory.

In consideration of these conditions, there are three factors; operating mode, the bank structure of the user MAT, and operations.

The areas in which the programming data can be stored for execution are shown in tables.

**Table 21.7 Executable MAT**

| Operation   | Initiated Mode    |                 |
|-------------|-------------------|-----------------|
|             | User Program Mode | User Boot Mode* |
| Programming | Table 21.8 (1)    | Table 21.8 (3)  |
| Erasing     | Table 21.8 (2)    | Table 21.8 (4)  |

Note : \* Programming/Erasing is possible to user MATs.

Table 21.8 (1) Useable Area for Programming in User Program Mode

| Item  | Storable/Executable Area |          |                                | Selected MAT |                               |
|---|--------------------------|----------|--------------------------------|--------------|-------------------------------|
|   | On-chip RAM              | User MAT | External Space (Expanded Mode) | User MAT     | Embedded Program Storage Area |
| Storage Area for Program Data                               | ○                        | ×*       | ○                              | —            | —                             |
| Operation for Selection of On-chip Program to be Downloaded | ○                        | ○        | ○                              | ○            |                               |
| Operation for Writing H'A5 to FKEY                          | ○                        | ○        | ○                              | ○            |                               |
| Execution of Writing SC0 = 1 to FCCS (Download)             | ○                        | ×        | ×                              |              | ○                             |
| Operation for FKEY Clear                                    | ○                        | ○        | ○                              | ○            |                               |
| Determination of Download Result                            | ○                        | ○        | ○                              | ○            |                               |
| Operation for Download Error                                | ○                        | ○        | ○                              | ○            |                               |
| Operation for Settings of Initial Parameter                 | ○                        | ○        | ○                              | ○            |                               |
| Execution of Initialization                                 | ○                        | ×        | ×                              | ○            |                               |
| Determination of Initialization Result                      | ○                        | ○        | ○                              | ○            |                               |
| Operation for Initialization Error                          | ○                        | ○        | ○                              | ○            |                               |
| NMI Handling Routine  | ○                        | ×        | ○                              | ○            |                               |
| Operation for Inhibit of Interrupt                          | ○                        | ○        | ○                              | ○            |                               |
| Operation for Writing H'5A to FKEY                          | ○                        | ○        | ○                              | ○            |                               |
| Operation for Settings of Program Parameter                 | ○                        | ×        | ○                              | ○            |                               |



| Item                            | Storable/Executable Area |          |                                | Selected MAT |                               |
|---------------------------------|--------------------------|----------|--------------------------------|--------------|-------------------------------|
|                                 | On-chip RAM              | User MAT | External Space (Expanded Mode) | User MAT     | Embedded Program Storage Area |
| Execution of Programming        | ○                        | ×        | ×                              | ○            |                               |
| Determination of Program Result | ○                        | ×        | ○                              | ○            |                               |
| Operation for Program Error     | ○                        | ×        | ○                              | ○            |                               |
| Operation for FKEY Clear        | ○                        | ×        | ○                              | ○            |                               |

Note: \* Transferring the data to the on-chip RAM enables this area to be used.

Table 21.8 (2) Useable Area for Erasure in User Program Mode

| Item  | Storable /Executable Area |          |                                | Selected MAT |                               |
|---|---------------------------|----------|--------------------------------|--------------|-------------------------------|
|   | On-chip RAM               | User MAT | External Space (Expanded Mode) | User MAT     | Embedded Program Storage Area |
| Operation for Selection of On-chip Program to be Downloaded | ○                         | ○        | ○                              | ○            |                               |
| Operation for Writing H'A5 to FKEY                          | ○                         | ○        | ○                              | ○            |                               |
| Execution of Writing SC0 = 1 to FCCS (Download)             | ○                         | ×        | ×                              |              | ○                             |
| Operation for FKEY Clear                                    | ○                         | ○        | ○                              | ○            |                               |
| Determination of Download Result                            | ○                         | ○        | ○                              | ○            |                               |
| Operation for Download Error                                | ○                         | ○        | ○                              | ○            |                               |
| Operation for Settings of Initial Parameter                 | ○                         | ○        | ○                              | ○            |                               |
| Execution of Initialization                                 | ○                         | ×        | ×                              | ○            |                               |
| Determination of Initialization Result                      | ○                         | ○        | ○                              | ○            |                               |
| Operation for Initialization Error                          | ○                         | ○        | ○                              | ○            |                               |
| NMI Handling Routine  | ○                         | ×        | ○                              | ○            |                               |
| Operation for Inhibit of Interrupt                          | ○                         | ○        | ○                              | ○            |                               |
| Operation for Writing H'5A to FKEY                          | ○                         | ○        | ○                              | ○            |                               |
| Operation for Settings of Erasure Parameter                 | ○                         | ×        | ○                              | ○            |                               |
| Execution of Erasure  | ○                         | ×        | ×                              | ○            |                               |
| Determination of Erasure Result                             | ○                         | ×        | ○                              | ○            |                               |

| Item                        | Storable /Executable Area |          |                                | Selected MAT |                               |
|-----------------------------|---------------------------|----------|--------------------------------|--------------|-------------------------------|
|                             | On-chip RAM               | User MAT | External Space (Expanded Mode) | User MAT     | Embedded Program Storage Area |
| Operation for Erasure Error | ○                         | ×        | ○                              | ○            |                               |
| Operation for FKEY Clear    | ○                         | ×        | ○                              | ○            |                               |

Table 21.8 (3) Useable Area for Programming in User Boot Mode

| Item  | Storable/Executable Area |                 |                                | Selected MAT |               |                               |
|---|--------------------------|-----------------|--------------------------------|--------------|---------------|-------------------------------|
|   | On-chip RAM              | User Boot MAT   | External Space (Expanded Mode) | User MAT     | User Boot MAT | Embedded Program Storage Area |
| Storage Area for Program Data                               | ○                        | × <sup>*1</sup> | ○                              | —            | —             | —                             |
| Operation for Selection of On-chip Program to be Downloaded | ○                        | ○               | ○                              |              | ○             |                               |
| Operation for Writing H'A5 to FKEY                          | ○                        | ○               | ○                              |              | ○             |                               |
| Execution of Writing SC0 = 1 to FCCS (Download)             | ○                        | ×               | ×                              |              |               | ○                             |
| Operation for FKEY Clear                                    | ○                        | ○               | ○                              |              | ○             |                               |
| Determination of Download Result                            | ○                        | ○               | ○                              |              | ○             |                               |
| Operation for Download Error                                | ○                        | ○               | ○                              |              | ○             |                               |
| Operation for Settings of Initial Parameter                 | ○                        | ○               | ○                              |              | ○             |                               |
| Execution of Initialization                                 | ○                        | ×               | ×                              |              | ○             |                               |
| Determination of Initialization Result                      | ○                        | ○               | ○                              |              | ○             |                               |
| Operation for Initialization Error                          | ○                        | ○               | ○                              |              | ○             |                               |
| NMI Handling Routine  | ○                        | ×               | ○                              |              | ○             |                               |
| Operation for Interrupt Inhibit                             | ○                        | ○               | ○                              |              | ○             |                               |
| Switching MATs by FMATS                                     | ○                        | ×               | ×                              | ○            |               |                               |
| Operation for Writing H'5A to FKEY                          | ○                        | ×               | ○                              | ○            |               |                               |

| Item  | Storable/Executable Area |               |                                | Selected MAT |               |                               |
|---|--------------------------|---------------|--------------------------------|--------------|---------------|-------------------------------|
|   | On-chip RAM              | User Boot MAT | External Space (Expanded Mode) | User MAT     | User Boot MAT | Embedded Program Storage Area |
| Operation for Settings of Program Parameter | ○                        | ×             | ○                              | ○            |               |                               |
| Execution of Programming                    | ○                        | ×             | ×                              | ○            |               |                               |
| Determination of Program Result             | ○                        | ×             | ○                              | ○            |               |                               |
| Operation for Program Error                 | ○                        | ×*2           | ○                              | ○            |               |                               |
| Operation for FKEY Clear                    | ○                        | ×             | ○                              | ○            |               |                               |
| Switching MATs by FMATS                     | ○                        | ×             | ×                              |              | ○             |                               |

Notes: 1. Transferring the data to the on-chip RAM enables this area to be used.

2. Switching FMATS by a program in the on-chip RAM enables this area to be used.

Table 21.8 (4) Useable Area for Erasure in User Boot Mode

| Item  | Storable/Executable Area |               |                                | Selected MAT |               |                               |
|---|--------------------------|---------------|--------------------------------|--------------|---------------|-------------------------------|
|   | On-chip RAM              | User Boot MAT | External Space (Expanded Mode) | User MAT     | User Boot MAT | Embedded Program Storage Area |
| Operation for Selection of On-chip Program to be Downloaded | ○                        | ○             | ○                              |              | ○             |                               |
| Operation for Writing H'A5 to FKEY                          | ○                        | ○             | ○                              |              | ○             |                               |
| Execution of Writing SC0 = 1 to FCCS (Download)             | ○                        | ×             | ×                              |              |               | ○                             |
| Operation for FKEY Clear                                    | ○                        | ○             | ○                              |              | ○             |                               |
| Determination of Download Result                            | ○                        | ○             | ○                              |              | ○             |                               |
| Operation for Download Error                                | ○                        | ○             | ○                              |              | ○             |                               |
| Operation for Settings of Initial Parameter                 | ○                        | ○             | ○                              |              | ○             |                               |
| Execution of Initialization                                 | ○                        | ×             | ×                              |              | ○             |                               |
| Determination of Initialization Result                      | ○                        | ○             | ○                              |              | ○             |                               |
| Operation for Initialization Error                          | ○                        | ○             | ○                              |              | ○             |                               |
| NMI Handling Routine  | ○                        | ×             | ○                              |              | ○             |                               |
| Operation for Interrupt Inhibit                             | ○                        | ○             | ○                              |              | ○             |                               |
| Switching MATs by FMATS                                     | ○                        | ×             | ×                              |              | ○             |                               |
| Operation for Writing H'5A to FKEY                          | ○                        | ×             | ○                              | ○            |               |                               |
| Operation for Settings of Erasure Parameter                 | ○                        | ×             | ○                              | ○            |               |                               |

| Item                            | Storable/Executable Area |               |                                | Selected MAT |               |                               |
|---------------------------------|--------------------------|---------------|--------------------------------|--------------|---------------|-------------------------------|
|                                 | On-chip RAM              | User Boot MAT | External Space (Expanded Mode) | User MAT     | User Boot MAT | Embedded Program Storage Area |
| Execution of Erasure            | ○                        | ×             | ×                              | ○            |               |                               |
| Determination of Erasure Result | ○                        | ×             | ○                              | ○            |               |                               |
| Operation for Erasure Error     | ○                        | ×*            | ○                              | ○            |               |                               |
| Operation for FKEY Clear        | ○                        | ×             | ○                              | ○            |               |                               |
| Switching MATs by FMATS         | ○                        | ×             | ×                              | ○            |               |                               |

Note: \* Switching FMATS by a program in the on-chip RAM enables this area to be used.

## 21.5 Protection

There are two kinds of flash memory program/erase protection: hardware and software protection.

### 21.5.1 Hardware Protection

Programming and erasing of flash memory is forcibly disabled or suspended by hardware protection. In this state, the downloading of a on-chip program and initialization are possible. However, an activated program for programming or erasure cannot program or erase locations in a user MAT, and the error in programming/erasing is reported in the parameter FPF $\overline{R}$ .

**Table 21.9 Hardware Protection**

| Item                     | Description   | Function to be Protected |               |
|--------------------------|---|--------------------------|---------------|
|                          |   | Download                 | Program/Erase |
| Reset/standby protection | <ul style="list-style-type: none"> <li>The program/erase interface registers are initialized in the power-on reset state (including a power-on reset by the WDT) and standby mode and the program/erase-protected state is entered.</li> <li>The reset state will not be entered by a reset using the <math>\overline{\text{RES}}</math> pin unless the RES pin is held low until oscillation has stabilized after power is initially supplied. In the case of a reset during operation, hold the RES pin low for the RES pulse width that is specified in the section on AC characteristics section. If a reset is input during programming or erasure, data values in the flash memory are not guaranteed. In this case, execute erasure and then execute program again.</li> </ul> | ○                        | ○             |



### 21.5.2 Software Protection

Software protection is set up by disabling the downloading of on-chip programs for programming and erasing or by means of a key code register.

**Table 21.10 Software Protection**

| Item                            | Description   | Function to be Protected |                   |
|---------------------------------|---|--------------------------|-------------------|
|                                 |   | Download                 | Program/<br>Erase |
| Protection by the SCO bit       | <ul style="list-style-type: none"> <li>The program/erase-protected state is entered by clearing the SCO bit in FCCS which disables the downloading of the programming/erasing programs.</li> </ul>                            | ○                        | ○                 |
| Protection by the FKEY register | <ul style="list-style-type: none"> <li>Downloading and programming/erasing are disabled unless the required key code is written in FKEY. Different key codes are used for downloading and for programming/erasing.</li> </ul> | ○                        | ○                 |

### 21.5.3 Error Protection

Error protection is a mechanism for aborting programming or erasure when an error occurs, in the form of the microcomputer entering runaway during programming/erasing of the flash memory or operations that are not according to the established procedures for programming/erasing. Aborting programming or erasure in such cases prevents damage to the flash memory due to excessive programming or erasing.

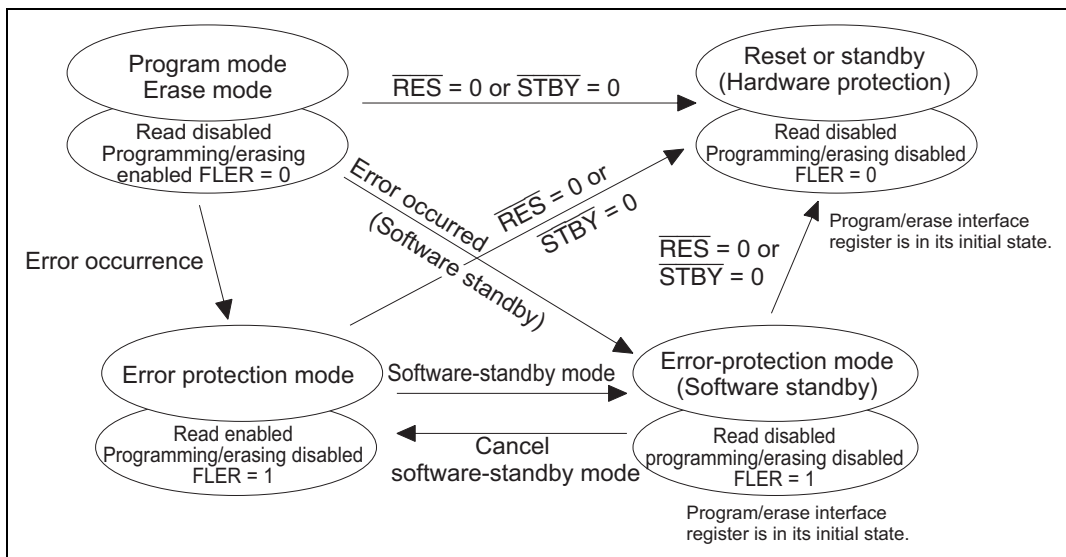
If the microcomputer malfunctions during programming/erasing of the flash memory, the FLER bit in the FCCS register is set to 1 and the error-protection state is entered, and this aborts the programming or erasure.

The FLER bit is set in the following conditions:

1. When an interrupt such as NMI occurs during programming/erasing.
2. When the flash memory is read during programming/erasing (including a vector read or an instruction fetch).
3. When a SLEEP instruction (including software-standby mode) is executed during programming/erasing.
4. When a bus master other than the CPU such as the DMAC or DTC gets bus mastership during programming/erasing.

Error protection is cancelled only by a power-on reset or by hardware-standby mode. Note that the reset should only be released after providing a reset input over a period longer than the normal 100  $\mu$ s period. Since high voltages are applied during programming/erasing of the flash memory, some voltage may remain after the error-protection state has been entered. For this reason, it is necessary to reduce the risk of damage to the flash memory by extending the reset period so that the charge is released.

The state-transition diagram in figure 21.15 shows transitions to and from the error-protection state.



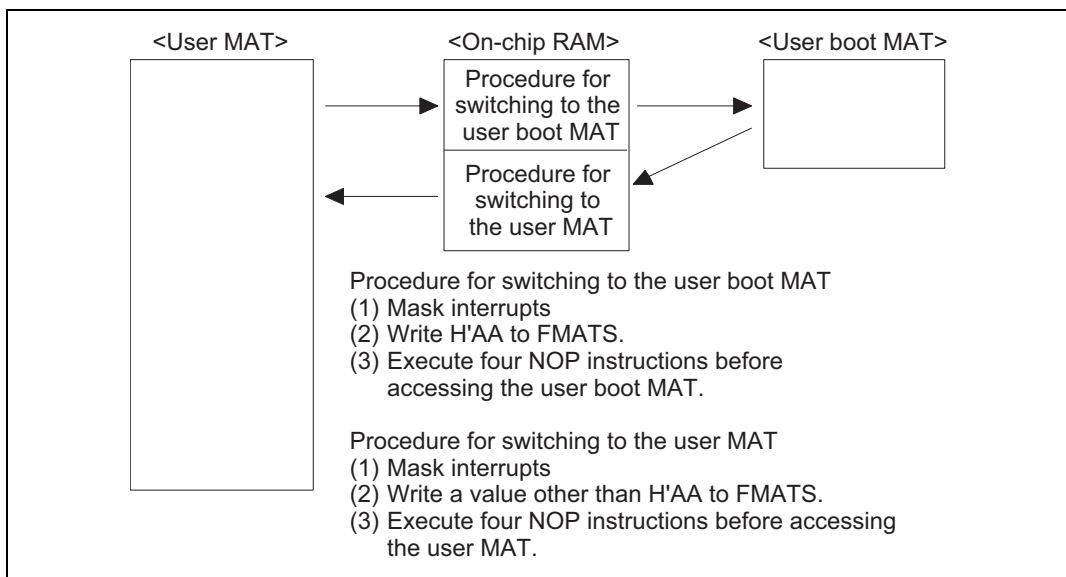
**Figure 21.15 Transitions to Error-Protection State**

## 21.6 Switching between User MAT and User Boot MAT

It is possible to alternate between the user MAT and user boot MAT. However, the following procedure is required because these MATs are allocated to address 0.

(Switching to the user boot MAT disables programming and erasing. Programming of the user boot MAT should take place in boot mode or PROM mode.)

1. MAT switching by FMATS should always be executed from the on-chip RAM.
2. To ensure that the MAT that has been switched to is accessible, execute four NOP instructions in the on-chip RAM immediately after writing to FMATS of the on-chip RAM (this prevents access to the flash memory during MAT switching).
3. If an interrupt has occurred during switching, there is no guarantee of which memory MAT is being accessed. Always mask the maskable interrupts before switching between MATs. In addition, configure the system so that NMI interrupts do not occur during MAT switching.
4. After the MATs have been switched, take care because the interrupt vector table will also have been switched. If interrupt processing is to be the same before and after MAT switching, transfer the interrupt-processing routines to the on-chip RAM, and use the settings of FVACR to place the interrupt-vector table in the on-chip RAM.
5. Memory sizes of the user MAT and user boot MAT are different. When accessing the user boot MAT, do not access addresses above the top of its 8-kbyte memory space. If access goes beyond the 8-kbyte space, the values read are undefined.



**Figure 21.16 Switching between the User MAT and User Boot MAT**

## 21.7 Programmer Mode

Along with its on-board programming mode, this LSI also has a PROM mode as a further mode for the writing and erasing of programs and data. In the PROM mode, a general-purpose PROM programmer can freely be used to write programs to the on-chip ROM. Program/erase is possible on the user MAT and user boot MAT. The PROM programmer must support Renesas microcomputers with 512-kbyte flash memory as a device type.

A status-polling system is adopted for operation in automatic program, automatic erase, and status-read modes. In the status-read mode, details of the system's internal signals are output after execution of automatic programming or automatic erasure. In the PROM mode, provide a 12-MHz input-clock signal.

## 21.8 Serial Communication Interface Specification for Boot Mode

Initiating boot mode enables the boot program to communicate with the host by using the internal SCI. The serial communication interface specification is shown below.

### (1) Status

The boot program has three states.

#### 1. Bit-Rate-Adjustment State

In this state, the boot program adjusts the bit rate to communicate with the host. Initiating boot mode enables starting of the boot program and entry to the bit-rate-adjustment state. The program receives the command from the host to adjust the bit rate. After adjusting the bit rate, the program enters the inquiry/selection state.

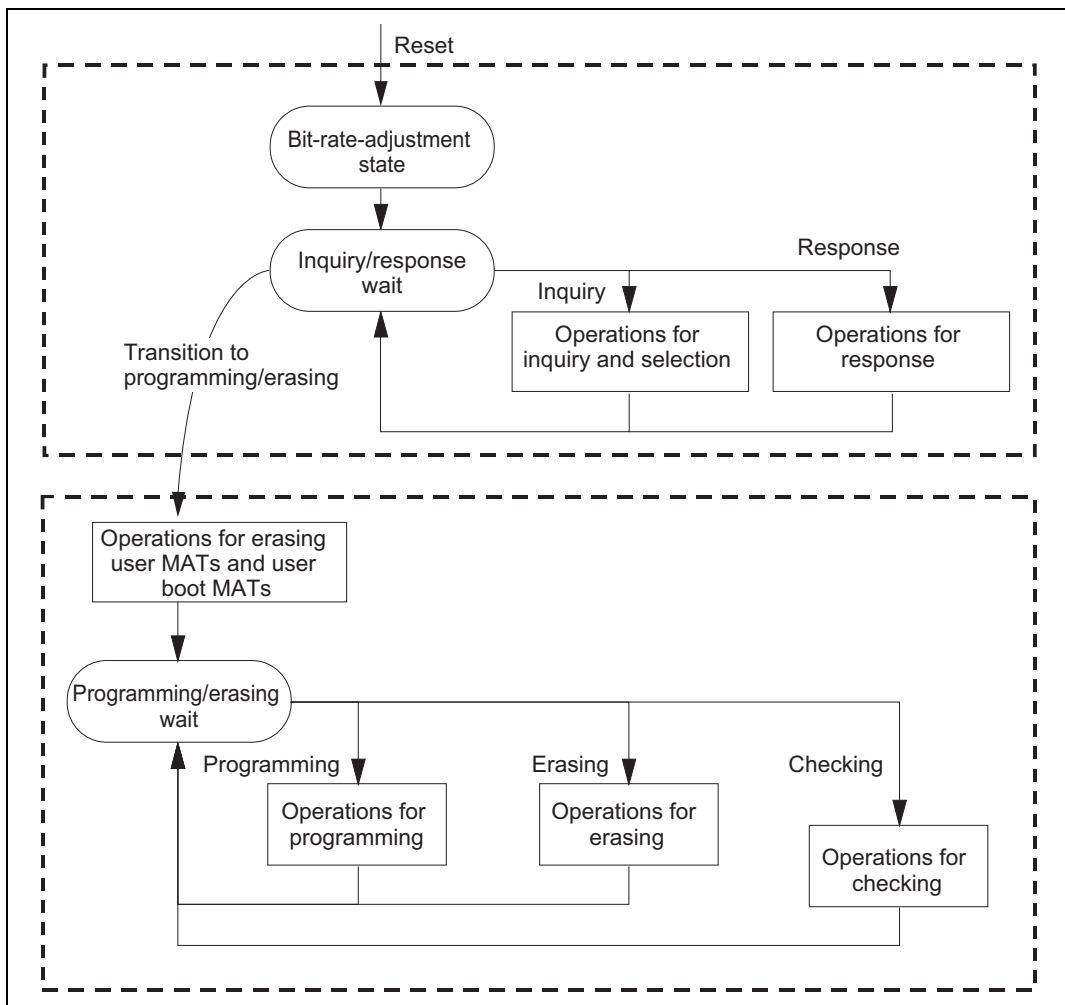
#### 2. Inquiry/Selection State

In this state, the boot program responds to inquiry commands from the host. The device name, clock mode, and bit rate are selected. After selection of these settings, the program is made to enter the programming/erasing state by the command for a transition to the programming/erasing state. The program transfers the libraries required for erasure to the RAM and erases the user MATs and user boot MATs before the transition.

#### 3. Programming/erasing state

Programming and erasure by the boot program take place in this state. The boot program is made to transfer the programming/erasing programs to the RAM by commands from the host. Sum checks and blank checks are executed by sending these commands from the host.

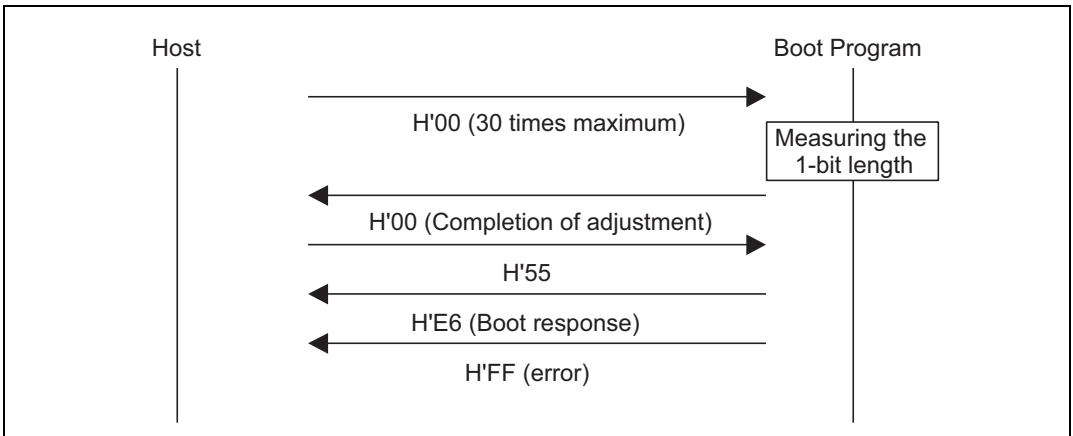
These boot program states are shown in figure 21.17.



**Figure 21.17 Boot Program States**

## (2) Bit-Rate-Adjustment State

The bit rate is calculated by measuring the period of transfer of a low-level byte (H'00) from the host. The bit rate can be changed by the command for a new bit rate selection. After the bit rate has been adjusted, the boot program enters the inquiry and selection state. The bit-rate-adjustment sequence is shown in figure 21.18.



**Figure 21.18 Bit-Rate-Adjustment Sequence**

### (3) Communications Protocol

After adjustment of the bit rate, the protocol for communications between the host and the boot program is as shown below.

#### 1. One-byte commands and one-byte responses

These commands and responses are comprised of a single byte. These are consists of the inquiries and the ACK for successful completion.

#### 2. n-byte commands or n-byte responses

These commands and responses are comprised of n bytes of data. These are selections and responses to inquiries.

The amount of programming data is not included under this heading because it is determined in another command.

#### 3. Error response

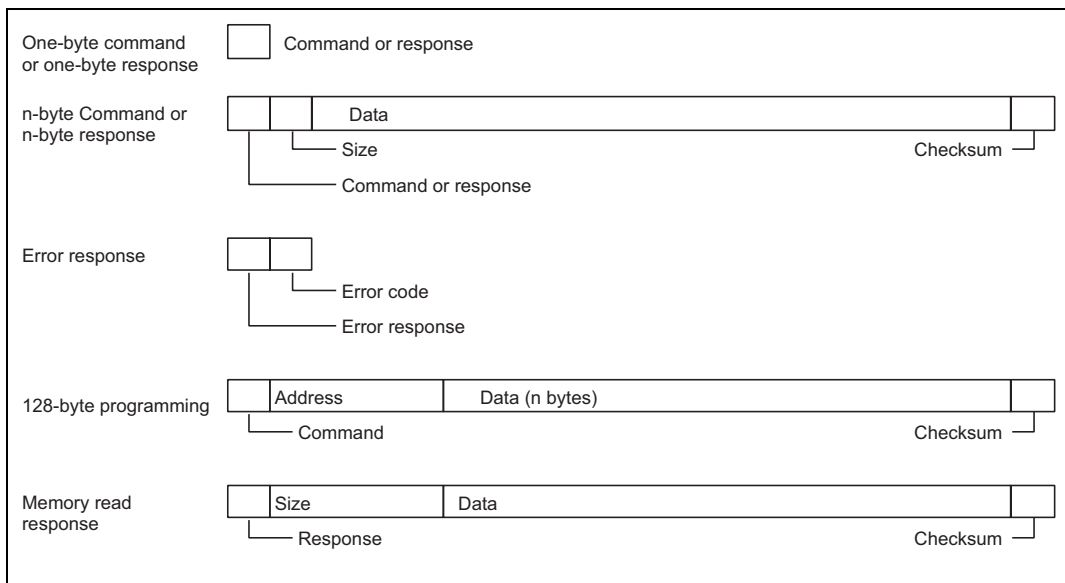
The error response is a response to inquiries. It consists of an error response and an error code and comes two bytes.

#### 4. Programming of 128 bytes

The size is not specified in commands. The size of n is indicated in response to the programming unit inquiry.

#### 5. Memory read response

This response consists of 4 bytes of data.



**Figure 21.19 Communication Protocol Format**

- **Command (one byte):** Commands including inquiries, selection, programming, erasing, and checking
- **Response (one byte):** Response to an inquiry
- **Size (one byte):** The amount of data for transmission excluding the command, amount of data, and checksum
- **Checksum (one byte):** The checksum is calculated so that the total of all values from the command byte to the SUM byte becomes H'00.
- **Data (n bytes):** Detailed data of a command or response
- **Error response (one byte):** Error response to a command
- **Error code (one byte):** Type of the error
- **Address (four bytes):** Address for programming
- **Data (n bytes):** Data to be programmed (the size is indicated in the response to the programming unit inquiry.)
- **Size (four bytes):** Four-byte response to a memory read

#### (4) Inquiry and Selection States

The boot program returns information from the flash memory in response to the host's inquiry commands and sets the device code, clock mode, and bit rate in response to the host's selection command.

Inquiry and selection commands are listed below.

**Table 21.11 Inquiry and Selection Commands**

| <b>Command</b> | <b>Command Name</b>                     | <b>Description</b>   |
|----------------|---|--|
| H'20           | Supported Device Inquiry                | Inquiry regarding device codes   |
| H'10           | Device Selection                        | Selection of device code   |
| H'21           | Clock Mode Inquiry                      | Inquiry regarding numbers of clock modes and values of each mode   |
| H'11           | Clock Mode Selection                    | Indication of the selected clock mode  |
| H'22           | Multiplication Ratio Inquiry            | Inquiry regarding the number of frequency-multiplied clock types, the number of multiplication ratios, and the values of each multiple |
| H'23           | Operating Clock Frequency Inquiry       | Inquiry regarding the maximum and minimum values of the main clock and peripheral clocks   |
| H'24           | User Boot MAT Information Inquiry       | Inquiry regarding the number of user boot MATs and the start and last addresses of each MAT  |
| H'25           | User MAT Information Inquiry            | Inquiry regarding the a number of user MATs and the start and last addresses of each MAT   |
| H'26           | Block for Erasing Information Inquiry   | Inquiry regarding the number of blocks and the start and last addresses of each block  |
| H'27           | Programming Unit Inquiry                | Inquiry regarding the unit of programming data   |
| H'3F           | New Bit Rate Selection                  | Selection of new bit rate  |
| H'40           | Transition to Programming/Erasing State | Erasing of user MAT and user boot MAT, and entry to programming/erasing state  |
| H'4F           | Boot Program Status Inquiry             | Inquiry into the operated status of the boot program   |

The selection commands, which are device selection (H'10), clock mode selection (H'11), and new bit rate selection (H'3F), should be sent from the host in that order. These commands will certainly be needed. When two or more selection commands are sent at once, the last command will be valid.



All of these commands, except for the boot program status inquiry command (H'4F), will be valid until the boot program receives the programming/erasing transition (H'40). The host can choose the needed commands out of the commands and inquiries listed above. The boot program status inquiry command (H'4F) is valid after the boot program has received the programming/erasing transition command (H'40).

#### (a) Supported Device Inquiry

The boot program will return the device codes of supported devices and the product code in response to the supported device inquiry.

Command 

|      |
|------|
| H'20 |
|------|

- Command, H'20, (one byte): Inquiry regarding supported devices

|          |                      |             |                   |              |
|----------|----------------------|-------------|-------------------|--------------|
| Response | H'30                 | Size        | Number of devices |              |
|          | Number of characters | Device code |                   | Product name |
|          | ...                  |             |                   |              |
|          | SUM                  |             |                   |              |

- Response, H'30, (one byte): Response to the supported device inquiry
- Size (one byte): Number of bytes to be transmitted, excluding the command, size, and checksum, that is, the amount of data contributed by the number of devices, characters, device codes and product names
- Number of devices (one byte): The number of device types supported by the boot program
- Number of characters (one byte): The number of characters in the device codes and boot program's name
- Device code (four bytes): ASCII code of the supporting product
- Product name (n bytes): Type name of the boot program in ASCII-coded characters
- SUM (one byte): Checksum

The checksum is calculated so that the total number of all values from the command byte to the SUM byte becomes H'00.

## (b) Device Selection

The boot program will set the supported device to the specified device code. The program will return the selected device code in response to the inquiry after this setting has been made.

|         |      |      |             |     |
|---------|------|------|-------------|-----|
| Command | H'10 | Size | Device code | SUM |
|---------|------|------|-------------|-----|

- Command, H'10, (one byte): Device selection
- Size (one byte): Amount of device-code data  
This is fixed at 4
- Device code (four bytes): Device code (ASCII code) returned in response to the supported device inquiry
- SUM (one byte): Checksum

|          |      |
|----------|------|
| Response | H'06 |
|----------|------|

- Response, H'06, (one byte): Response to the device selection command  
ACK will be returned when the device code matches.

|                |      |       |
|----------------|------|-------|
| Error response | H'90 | ERROR |
|----------------|------|-------|

- Error response, H'90, (one byte): Error response to the device selection command  
ERROR : (one byte): Error code  
H'11: Sum check error  
H'21: Device code error, that is, the device code does not match

## (c) Clock Mode Inquiry

The boot program will return the supported clock modes in response to the clock mode inquiry.

|         |      |
|---------|------|
| Command | H'21 |
|---------|------|

- Command, H'21, (one byte): Inquiry regarding clock mode

|          |      |      |      |     |     |
|----------|------|------|------|-----|-----|
| Response | H'31 | Size | Mode | ... | SUM |
|----------|------|------|------|-----|-----|

- Response, H'31, (one byte): Response to the clock-mode inquiry
- Size (one byte): Amount of data that represents modes
- Number of clock modes (one byte): The number of supported clock modes  
H'00 indicates no clock mode or the device allows to read the clock mode.
- Mode (one byte): Values of the supported clock modes (i.e. H'01 means clock mode 1.)
- SUM (one byte): Checksum

## (d) Clock Mode Selection

The boot program will set the specified clock mode. The program will return the selected clock-mode information after this setting has been made.

The clock-mode selection command should be sent after the device-selection commands.

Command 

|      |      |      |     |
|------|------|------|-----|
| H'11 | Size | Mode | SUM |
|------|------|------|-----|

- Command, H'11, (one byte): Selection of clock mode
- Size (one byte): Amount of data that represents the modes
- Mode (one byte): A clock mode returned in reply to the supported clock mode inquiry.
- SUM (one byte): Checksum

Response 

|      |
|------|
| H'06 |
|------|

- Response, H'06, (one byte): Response to the clock mode selection command  
ACK will be returned when the clock mode matches.

Error Response 

|      |       |
|------|-------|
| H'91 | ERROR |
|------|-------|

- Error response, H'91, (one byte): Error response to the clock mode selection command
- ERROR, (one byte): Error code
  - H'11: Checksum error
  - H'22: Clock mode error, that is, the clock mode does not match.

Even if the clock mode numbers are H'00 and H'01 by a clock mode inquiry, the clock mode must be selected using these respective values.

## (e) Multiplication Ratio Inquiry

The boot program will return the supported multiplication and division ratios.

Command H'22

- Command, H'22, (one byte): Inquiry regarding multiplication ratio

|          |                                 |                      |                 |  |  |  |  |  |
|----------|---------------------------------|----------------------|-----------------|--|--|--|--|--|
| Response | H'32                            | Size                 | Number of types |  |  |  |  |  |
|          | Number of multiplication ratios | Multiplication ratio | ...             |  |  |  |  |  |
|          | ...                             |                      |                 |  |  |  |  |  |
|          | SUM                             |                      |                 |  |  |  |  |  |

- Response, H'32, (one byte): Response to the multiplication ratio inquiry
- Size (one byte): The amount of data that represents the number of clock sources and multiplication ratios and the multiplication ratios
- Number of types (one byte): The number of supported multiplied clock types (e.g. when there are two multiplied clock types, which are the main and peripheral clocks, the number of types will be H'02.)
- Number of multiplication ratios (one byte): The number of multiplication ratios for each type (e.g. the number of multiplication ratios to which the main clock can be set and the peripheral clock can be set.)

- Multiplication ratio (one byte)

Multiplication ratio: The value of the multiplication ratio (e.g. when the clock-frequency multiplier is four, the value of multiplication ratio will be H'04.)

Division ratio: Not supported by the H8S/2378 0.18 $\mu$ m F-ZTAT Group and H8S/2378R 0.18 $\mu$ m F-ZTAT Group.

The number of multiplication ratios returned is the same as the number of multiplication ratios and as many groups of data are returned as there are types.

- SUM (one byte): Checksum

## (f) Operating Clock Frequency Inquiry

The boot program will return the number of operating clock frequencies, and the maximum and minimum values.

Command 

|      |
|------|
| H'23 |
|------|

- Command, H'23, (one byte): Inquiry regarding operating clock frequencies

|          |  |      |  |
|----------|--|------|--|
| Response | H'33                                       | Size | Number of operating clock frequencies      |
|          | Minimum value of operating clock frequency |      | Maximum value of operating clock frequency |
|          | ...  |      |  |
|          | SUM  |      |  |

- Response, H'33, (one byte): Response to operating clock frequency inquiry
- Size (one byte): The number of bytes that represents the minimum values, maximum values, and the number of frequencies.
- Number of operating clock frequencies (one byte): The number of supported operating clock frequency types  
(e.g. when there are two operating clock frequency types, which are the main and peripheral clocks, the number of types will be H'02.)
- Minimum value of operating clock frequency (two bytes): The minimum value of the multiplied or divided clock frequency.  
The minimum and maximum values represent the values in MHz, valid to the hundredths place of MHz, and multiplied by 100. (e.g. when the value is 64 MHz, it will be D'6400 and H'1900.)
- Maximum value (two bytes): Maximum value among the multiplied or divided clock frequencies.  
There are as many pairs of minimum and maximum values as there are operating clock frequencies.
- SUM (one byte): Checksum

## (g) User Boot MAT Information Inquiry

The boot program will return the number of user boot MATs and their addresses.

Command 

|      |
|------|
| H'24 |
|------|

- Command, H'24, (one byte): Inquiry regarding user boot MAT information

|          |                    |      |                 |                   |
|----------|--------------------|------|-----------------|-------------------|
| Response | H'34               | Size | Number of areas |                   |
|          | Area-start address |      |                 | Area-last address |
|          | ...                |      |                 |                   |
|          | SUM                |      |                 |                   |

- Response, H'34, (one byte): Response to user boot MAT information inquiry
- Size (one byte): The number of bytes that represents the number of areas, area-start addresses, and area-last address
- Number of Areas (one byte): The number of consecutive user boot MAT areas  
When user boot MAT areas are consecutive, the number of areas returned is H'01.
- Area-start address (four byte): Start address of the area
- Area-last address (four byte): Last address of the area  
There are as many groups of data representing the start and last addresses as there are areas.
- SUM (one byte): Checksum

## (h) User MAT Information Inquiry

The boot program will return the number of user MATs and their addresses.

Command 

|      |
|------|
| H'25 |
|------|

- Command, H'25, (one byte): Inquiry regarding user MAT information

|          |                    |      |                 |                   |
|----------|--------------------|------|-----------------|-------------------|
| Response | H'35               | Size | Number of areas |                   |
|          | Start address area |      |                 | Last address area |
|          | ...                |      |                 |                   |
|          | SUM                |      |                 |                   |

- Response, H'35, (one byte): Response to the user MAT information inquiry
- Size (one byte): The number of bytes that represents the number of areas, area-start address and area-last address
- Number of areas (one byte): The number of consecutive user MAT areas  
When the user MAT areas are consecutive, the number of areas is H'01.
- Area-start address (four byte): Start address of the area

- Area-last address (four byte): Last address of the area  
There are as many groups of data representing the start and last addresses as there are areas.
- SUM (one byte): Checksum

## (i) Erased Block Information Inquiry

The boot program will return the number of erased blocks and their addresses.

Command 

|      |
|------|
| H'26 |
|------|

- Command, H'26, (two bytes): Inquiry regarding erased block information

|          |                     |      |                  |                    |
|----------|---------------------|------|------------------|--------------------|
| Response | H'36                | Size | Number of blocks |                    |
|          | Block start address |      |                  | Block last address |
|          | ...                 |      |                  |                    |
|          | SUM                 |      |                  |                    |

- Response, H'36, (one byte): Response to the number of erased blocks and addresses
- Size (three byte): The number of bytes that represents the number of blocks, block-start addresses, and block-last addresses.
- Number of blocks (one byte): The number of erased blocks
- Block start address (four bytes): Start address of a block
- Block last Address (four bytes): Last address of a block  
There are as many groups of data representing the start and last addresses as there are areas.
- SUM (one byte): Checksum

## (j) Programming Unit Inquiry

The boot program will return the programming unit used to program data.

Command 

|      |
|------|
| H'27 |
|------|

- Command, H'27, (one byte): Inquiry regarding programming unit

|          |      |      |                  |     |
|----------|------|------|------------------|-----|
| Response | H'37 | Size | Programming unit | SUM |
|----------|------|------|------------------|-----|

- Response, H'37, (one byte): Response to programming unit inquiry
- Size (one byte): The number of bytes that indicate the programming unit, which is fixed to 2
- Programming unit (two bytes): A unit for programming  
This is the unit for reception of programming.
- SUM (one byte): Checksum

## (k) New Bit-Rate Selection

The boot program will set a new bit rate and return the new bit rate.

This selection should be sent after sending the clock mode selection command.

|         |                                 |                        |                        |                 |
|---------|---------------------------------|------------------------|------------------------|-----------------|
| Command | H'3F                            | Size                   | Bit rate               | Input frequency |
|         | Number of multiplication ratios | Multiplication ratio 1 | Multiplication ratio 2 |                 |
|         | SUM                             |                        |                        |                 |

- Command, H'3F, (one byte): Selection of new bit rate
- Size (one byte): The number of bytes that represents the bit rate, input frequency, number of multiplication ratios, and multiplication ratio
- Bit rate (two bytes): New bit rate  
One hundredth of the value (e.g. when the value is 19,200 bps, the bit rate is H'00C0, which is D'192.)
- Input frequency (two bytes): Frequency of the clock input to the boot program  
This is valid to the hundredths place and represents the value in MHz multiplied by 100. (e.g. when the value is 64 MHz, the input frequency is H'1900 (= D'6400).)
- Number of multiplication ratios (one byte): The number of multiplication ratios to which the device can be set.
- Multiplication ratio 1 (one byte): The value of multiplication or division ratios for the main operating frequency  
Multiplication ratio (one byte): The value of the multiplication ratio (e.g. when the clock frequency is multiplied by four, the multiplication ratio will be H'04.)  
Division ratio: The inverse of the division ratio, as a negative number (e.g. when the clock frequency is divided by two, the value of division ratio will be H'FE. H'FE = D'-2)
- Multiplication ratio 2 (one byte): The value of multiplication or division ratios for the peripheral frequency  
Multiplication ratio (one byte): The value of the multiplication ratio (e.g. when the clock frequency is multiplied by four, the multiplication ratio will be H'04.)  
(Division ratio: The inverse of the division ratio, as a negative number (E.g. when the clock is divided by two, the value of division ratio will be H'FE. H'FE = D'-2)
- SUM (one byte): Checksum

Response 

|      |
|------|
| H'06 |
|------|

- Response, H'06, (one byte): Response to selection of a new bit rate  
When it is possible to set the bit rate, the response will be ACK.



Error Response 

|      |       |
|------|-------|
| H'BF | ERROR |
|------|-------|

- Error response, H'BF, (one byte): Error response to selection of new bit rate
- ERROR: (one byte): Error code
  - H'11: Sum checking error
  - H'24: Bit-rate selection error
    - The rate is not available.
  - H'25: Error in input frequency
    - This input frequency is not within the specified range.
  - H'26: Multiplication-ratio error
    - The ratio does not match an available ratio.
  - H'27: Operating frequency error
    - The frequency is not within the specified range.

### (5) Received Data Check

The methods for checking of received data are listed below.

#### 1. Input frequency

The received value of the input frequency is checked to ensure that it is within the range of minimum to maximum frequencies which matches the clock modes of the specified device. When the value is out of this range, an input-frequency error is generated.

#### 2. Multiplication ratio

The received value of the multiplication ratio or division ratio is checked to ensure that it matches the clock modes of the specified device. When the value is out of this range, an input-frequency error is generated.

#### 3. Operating frequency error

Operating frequency is calculated from the received value of the input frequency and the multiplication or division ratio. The input frequency is input to the LSI and the LSI is operated at the operating frequency. The expression is given below.

Operating frequency = Input frequency  $\times$  Multiplication ratio, or

Operating frequency = Input frequency  $\div$  Division ratio

The calculated operating frequency should be checked to ensure that it is within the range of minimum to maximum frequencies which are available with the clock modes of the specified device. When it is out of this range, an operating frequency error is generated.

## 4. Bit rate

To facilitate error checking, the value (n) of clock select (CKS) in the serial mode register (SMR), and the value(N) in the bit rate register (BRR), which are found from the peripheral operating clock frequency ( $\phi$ ) and bit rate (B), are used to calculate the error rate to ensure that it is less than 4%. If the error is more than 4%, a bit rate error is generated. The error is calculated using the following expression:

$$\text{Error (\%)} = \left\{ \left[ \frac{\phi \times 10^6}{(N + 1) \times B \times 64 \times 2^{(2 \times n - 1)}} \right] - 1 \right\} \times 100$$

When the new bit rate is selectable, the rate will be set in the register after sending ACK in response. The host will send an ACK with the new bit rate for confirmation and the boot program will response with that rate.

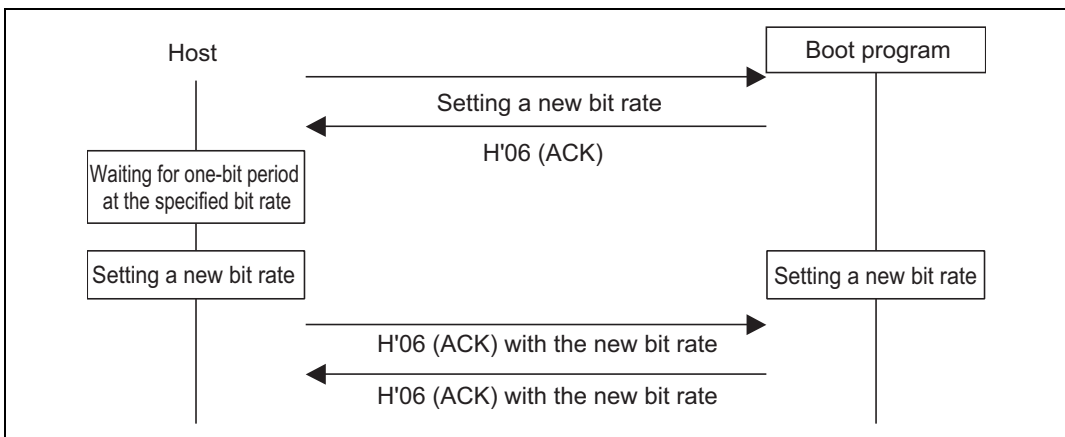
Confirmation H'06

- Confirmation, H'06, (one byte): Confirmation of a new bit rate

Response H'06

- Response, H'06, (one byte): Response to confirmation of a new bit rate

The sequence of new bit-rate selection is shown in figure 21.20.



**Figure 21.20 New Bit-Rate Selection Sequence**

## (6) Transition to Programming/Erasing State

The boot program will transfer the erasing program, and erase the user MATs and user boot MATs in that order. On completion of this erasure, ACK will be returned and will enter the programming/erasing state.

The host should select the device code, clock mode, and new bit rate with device selection, clock-mode selection, and new bit-rate selection commands, and then send the command for the transition to programming/erasing state. These procedure should be carried out before sending of the programming selection command or program data.

Command 

|      |
|------|
| H'40 |
|------|

- Command, H'40, (one byte): Transition to programming/erasing state

Response 

|      |
|------|
| H'06 |
|------|

- Response, H'06, (one byte): Response to transition to programming/erasing state  
The boot program will send ACK when the user MAT and user boot MAT have been erased by the transferred erasing program.

Error Response 

|      |      |
|------|------|
| H'C0 | H'51 |
|------|------|

- Error response, H'C0, (one byte): Error response for user boot MAT blank check
- Error code, H'51, (one byte): Erasing error  
An error occurred and erasure was not completed.

## (7) Command Error

A command error will occur when a command is undefined, the order of commands is incorrect, or a command is unacceptable. Issuing a clock-mode selection command before a device selection or an inquiry command after the transition to programming/erasing state command, are examples.

Error Response 

|      |      |
|------|------|
| H'80 | H'xx |
|------|------|

- Error response, H'80, (one byte): Command error
- Command, H'xx, (one byte): Received command

## (8) Command Order

The order for commands in the inquiry selection state is shown below.

1. A supported device inquiry (H'20) should be made to inquire about the supported devices.
2. The device should be selected from among those described by the returned information and set with a device-selection (H'10) command.
3. A clock-mode inquiry (H'21) should be made to inquire about the supported clock modes.
4. The clock mode should be selected from among those described by the returned information and set.
5. After selection of the device and clock mode, inquiries for other required information should be made, such as the multiplication-ratio inquiry (H'22) or operating frequency inquiry (H'23), which are needed for a new bit-rate selection.
6. A new bit rate should be selected with the new bit-rate selection (H'3F) command, according to the returned information on multiplication ratios and operating frequencies.
7. After selection of the device and clock mode, the information of the user boot MAT and user MAT should be made to inquire about the user boot MATs information inquiry (H'24), user MATs information inquiry (H'25), erased block information inquiry (H'26), and programming unit inquiry (H'27).
8. After making inquiries and selecting a new bit rate, issue the transition to programming/erasing state command (H'40). The boot program will then enter the programming/erasing state.

## (9) Programming/Erasing State

A programming selection command makes the boot program select the programming method, an 128-byte programming command makes it program the memory with data, and an erasing selection command and block erasing command make it erase the block. The programming/erasing commands are listed below.

**Table 21.12 Programming/Erasing Command**

| Command | Command Name                        | Description  |
|---------|-------------------------------------|--|
| H'42    | User boot MAT programming selection | Transfers the user boot MAT programming program            |
| H'43    | User MAT programming selection      | Transfers the user MAT programming program                 |
| H'50    | 128-byte programming                | Programs 128 bytes of data                                 |
| H'48    | Erasing selection                   | Transfers the erasing program                              |
| H'58    | Block erasing                       | Erases a block of data                                     |
| H'52    | Memory read                         | Reads the contents of memory                               |
| H'4A    | User boot MAT sum check             | Checks the checksum of the user boot MAT                   |
| H'4B    | User MAT sum check                  | Checks the checksum of the user MAT                        |
| H'4C    | User boot MAT blank check           | Checks the blank data of the user boot MAT                 |
| H'4D    | User MAT blank check                | Checks the blank data of the user MAT                      |
| H'4C    | User boot MAT blank check           | Checks whether the contents of the user boot MAT are blank |
| H'4D    | User MAT blank check                | Checks whether the contents of the user MAT are blank      |
| H'4F    | Boot program status inquiry         | Inquires into the boot program's status                    |

- Programming

Programming is executed by a programming-selection command and an 128-byte programming command.

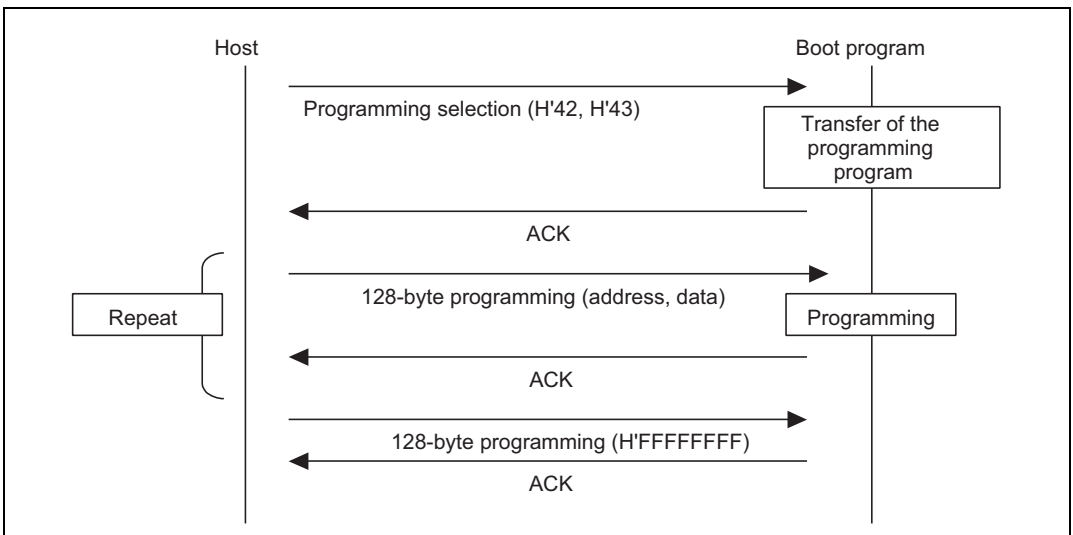
Firstly, the host should send the programming-selection command and select the programming method and programming MATs. There are two programming selection commands, and selection is according to the area and method for programming.

1. User boot MAT programming selection
2. User MAT programming selection

After issuing the programming selection command, the host should send the 128-byte programming command. The 128-byte programming command that follows the selection command represents the data programmed according to the method specified by the selection command. When more than 128-byte data is programmed, 128-byte commands should repeatedly be executed. Sending an 128-byte programming command with H'FFFFFFFF as the address will stop the programming. On completion of programming, the boot program will wait for selection of programming or erasing.

Where the sequence of programming operations that is executed includes programming with another method or of another MAT, the procedure must be repeated from the programming selection command.

The sequence for programming-selection and 128-byte programming commands is shown in figure 21.21.



**Figure 21.21 Programming Sequence**

(a) User boot MAT programming selection

The boot program will transfer a programming program. The data is programmed to the user boot MATs by the transferred programming program.

Command H'42

- Command, H'42, (one byte): User boot-program programming selection

Response 

|      |
|------|
| H'06 |
|------|

- Response, H'06, (one byte): Response to user boot-program programming selection  
When the programming program has been transferred, the boot program will return ACK.

Error Response 

|      |       |
|------|-------|
| H'C2 | ERROR |
|------|-------|

- Error response : H'C2 (1 byte): Error response to user boot MAT programming selection
- ERROR : (1 byte): Error code  
H'54 : Selection processing error (transfer error occurs and processing is not completed)
- User-program programming selection

The boot program will transfer a program for programming. The data is programmed to the user MATs by the transferred program for programming.

Command 

|      |
|------|
| H'43 |
|------|

- Command, H'43, (one byte): User-program programming selection

Response 

|      |
|------|
| H'06 |
|------|

- Response, H'06, (one byte): Response to user-program programming selection  
When the programming program has been transferred, the boot program will return ACK.

Error Response 

|      |       |
|------|-------|
| H'C3 | ERROR |
|------|-------|

- Error response : H'C3 (1 byte): Error response to user MAT programming selection
- ERROR : (1 byte): Error code  
H'54 : Selection processing error (transfer error occurs and processing is not completed)

## (b) 128-byte programming

The boot program will use the programming program transferred by the programming selection to program the user boot MATs or user MATs in response to 128-byte programming.

|         |      |         |  |  |  |  |  |  |
|---------|------|---------|--|--|--|--|--|--|
| Command | H'50 | Address |  |  |  |  |  |  |
|         | Data | ...     |  |  |  |  |  |  |
|         | ...  |         |  |  |  |  |  |  |
|         | SUM  |         |  |  |  |  |  |  |

- Command, H'50, (one byte): 128-byte programming
- Programming Address (four bytes): Start address for programming  
Multiple of the size specified in response to the programming unit inquiry  
(i.e. H'00, H'01, H'00, H'00 : H'00010000)

- Programming Data (128 bytes): Data to be programmed  
The size is specified in the response to the programming unit inquiry.
- SUM (one byte): Checksum

Response 

|      |
|------|
| H'06 |
|------|

- Response, H'06, (one byte): Response to 128-byte programming  
On completion of programming, the boot program will return ACK.

Error Response 

|      |       |
|------|-------|
| H'D0 | ERROR |
|------|-------|

- Error response, H'D0, (one byte): Error response for 128-byte programming
- ERROR: (one byte): Error code
  - H'11: Checksum Error
  - H'2A: Address error  
The address is not within the specified MAT.
  - H'53: Programming error  
A programming error has occurred and programming cannot be continued.

The specified address should match the unit for programming of data. For example, when the programming is in 128-byte units, the lower byte of the address should be H'00 or H'80. When there are less than 128 bytes of data to be programmed, the host should fill the rest with H'FF.

Sending the 128-byte programming command with the address of H'FFFFFFFF will stop the programming operation. The boot program will interpret this as the end of the programming and wait for selection of programming or erasing.

Command 

|      |         |     |
|------|---------|-----|
| H'50 | Address | SUM |
|------|---------|-----|

- Command, H'50, (one byte): 128-byte programming
- Programming Address (four bytes): End code is H'FF, H'FF, H'FF, H'FF.
- SUM (one byte): Checksum

Response 

|      |
|------|
| H'06 |
|------|

- Response, H'06, (one byte): Response to 128-byte programming  
On completion of programming, the boot program will return ACK.

Error Response 

|      |       |
|------|-------|
| H'D0 | ERROR |
|------|-------|

- Error Response, H'D0, (one byte): Error response for 128-byte programming



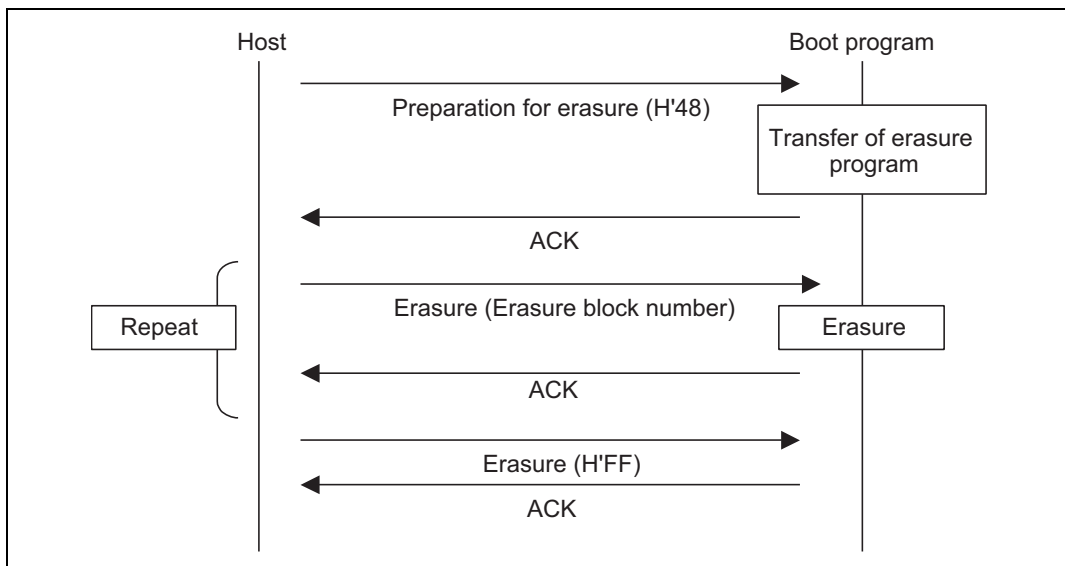
- ERROR: (one byte): Error code
  - H'11: Checksum error
  - H'53: Programming error
 An error has occurred in programming and programming cannot be continued.

## (10) Erasure

Erasure is performed with the erasure selection and block erasure command.

Firstly, erasure is selected by the erasure selection command and the boot program then erases the specified block. The command should be repeatedly executed if two or more blocks are to be erased. Sending a block-erasure command from the host with the block number H'FF will stop the erasure operating. On completion of erasing, the boot program will wait for selection of programming or erasing.

The sequences of the issuing of erasure selection commands and the erasure of data are shown in figure 21.22.



**Figure 21.22 Erasure Sequence**

### (a) Erasure Selection

The boot program will transfer the erasure program. User MAT data is erased by the transferred erasure program.

Command 

|      |
|------|
| H'48 |
|------|

- Command, H'48, (one byte): Erasure selection

Response 

|      |
|------|
| H'06 |
|------|

- Response, H'06, (one byte): Response for erasure selection  
After the erasure program has been transferred, the boot program will return ACK.

Error Response 

|      |       |
|------|-------|
| H'C8 | ERROR |
|------|-------|

- Error Response, H'C8, (one byte): Error response to erasure selection
- ERROR: (one byte): Error code  
H'54: Selection processing error (transfer error occurs and processing is not completed)

### (b) Block Erasure

The boot program will erase the contents of the specified block.

Command 

|      |      |              |     |
|------|------|--------------|-----|
| H'58 | Size | Block number | SUM |
|------|------|--------------|-----|

- Command, H'58, (one byte): Erasure
- Size (one byte): The number of bytes that represents the erasure block number  
This is fixed to 1.
- Block number (one byte): Number of the block to be erased
- SUM (one byte): Checksum

Response 

|      |
|------|
| H'06 |
|------|

- Response, H'06, (one byte): Response to Erasure  
After erasure has been completed, the boot program will return ACK.

Error Response 

|      |       |
|------|-------|
| H'D8 | ERROR |
|------|-------|

- Error Response, H'D8, (one byte): Response to Erasure
- ERROR (one byte): Error code
  - H'11: Sum check error
  - H'29: Block number error  
Block number is incorrect.
  - H'51: Erasure error  
An error has occurred during erasure.

On receiving block number H'FF, the boot program will stop erasure and wait for a selection command.

|         |      |      |              |     |
|---------|------|------|--------------|-----|
| Command | H'58 | Size | Block number | SUM |
|---------|------|------|--------------|-----|

- Command, H'58, (one byte): Erasure
- Size, (one byte): The number of bytes that represents the block number  
This is fixed to 1.
- Block number (one byte): H'FF  
Stop code for erasure
- SUM (one byte): Checksum

|          |      |
|----------|------|
| Response | H'06 |
|----------|------|

- Response, H'06, (one byte): Response to end of erasure (ACK)  
When erasure is to be performed after the block number H'FF has been sent, the procedure should be executed from the erasure selection command.

### (11) Memory read

The boot program will return the data in the specified address.

|         |           |      |      |              |  |
|---------|-----------|------|------|--------------|--|
| Command | H'52      | Size | Area | Read address |  |
|         | Read size |      |      | SUM          |  |

- Command: H'52 (1 byte): Memory read
- Size (1 byte): Amount of data that represents the area, read address, and read size (fixed at 9)
- Area (1 byte)  
H'00: User boot MAT  
H'01: User MAT  
An address error occurs when the area setting is incorrect.
- Read address (4 bytes): Start address to be read from
- Read size (4 bytes): Size of data to be read
- SUM (1 byte): Checksum

|          |      |           |  |  |  |  |  |  |  |  |
|----------|------|-----------|--|--|--|--|--|--|--|--|
| Response | H'52 | Read size |  |  |  |  |  |  |  |  |
|          | Data | ...       |  |  |  |  |  |  |  |  |
|          | SUM  |           |  |  |  |  |  |  |  |  |

- Response: H'52 (1 byte): Response to memory read
- Read size (4 bytes): Size of data to be read
- Data (n bytes): Data for the read size from the read address
- SUM (1 byte): Checksum

Error Response 

|      |       |
|------|-------|
| H'D2 | ERROR |
|------|-------|

- Error response: H'D2 (1 byte): Error response to memory read
- ERROR: (1 byte): Error code
  - H'11: Sum check error
  - H'2A: Address error
    - The read address is not in the MAT.
  - H'2B: Size error
    - The read size exceeds the MAT.

## (12) User-Boot Program Sum Check

The boot program will return the byte-by-byte total of the contents of the bytes of the user-boot program, as a four-byte value.

Command 

|      |
|------|
| H'4A |
|------|

- Command, H'4A, (one byte): Sum check for user-boot program

Response 

|      |      |                               |     |
|------|------|-------------------------------|-----|
| H'5A | Size | Checksum of user boot program | SUM |
|------|------|-------------------------------|-----|

- Response, H'5A, (one byte): Response to the sum check of user-boot program
- Size (one byte): The number of bytes that represents the checksum  
This is fixed to 4.
- Checksum of user boot program (four bytes): Checksum of user boot MATs  
The total of the data is obtained in byte units.
- SUM (one byte): Sum check for data being transmitted

## (13) User-Program Sum Check

The boot program will return the byte-by-byte total of the contents of the bytes of the user program.

Command 

|      |
|------|
| H'4B |
|------|

- Command, H'4B, (one byte): Sum check for user program

Response 

|      |      |                          |     |
|------|------|--------------------------|-----|
| H'5B | Size | Checksum of user program | SUM |
|------|------|--------------------------|-----|

- Response, H'5B, (one byte): Response to the sum check of the user program
- Size (one byte): The number of bytes that represents the checksum  
This is fixed to 4.
- Checksum of user boot program (four bytes): Checksum of user MATs  
The total of the data is obtained in byte units.
- SUM (one byte): Sum check for data being transmitted

#### (14) User Boot MAT Blank Check

The boot program will check whether or not all user boot MATs are blank and return the result.

Command 

|      |
|------|
| H'4C |
|------|

- Command, H'4C, (one byte): Blank check for user boot MAT

Response 

|      |
|------|
| H'06 |
|------|

- Response, H'06, (one byte): Response to the blank check of user boot MAT  
If all user MATs are blank (H'FF), the boot program will return ACK.

Error Response 

|      |      |
|------|------|
| H'CC | H'52 |
|------|------|

- Error Response, H'CC, (one byte): Response to blank check for user boot MAT
- Error Code, H'52, (one byte): Erasure has not been completed.

#### (15) User MAT Blank Check

The boot program will check whether or not all user MATs are blank and return the result.

Command 

|      |
|------|
| H'4D |
|------|

- Command, H'4D, (one byte): Blank check for user MATs

Response 

|      |
|------|
| H'06 |
|------|

- Response, H'06, (one byte): Response to the blank check for user boot MATs  
If the contents of all user MATs are blank (H'FF), the boot program will return ACK.

Error Response 

|      |      |
|------|------|
| H'CD | H'52 |
|------|------|

- Error Response, H'CD, (one byte): Error response to the blank check of user MATs.
- Error code, H'52, (one byte): Erasure has not been completed.

**(16) Boot Program State Inquiry**

The boot program will return indications of its present state and error condition. This inquiry can be made in the inquiry/selection state or the programming/erasing state.

Command 

|      |
|------|
| H'4F |
|------|

- Command, H'4F, (one byte): Inquiry regarding boot program's state

Response 

|      |      |        |       |     |
|------|------|--------|-------|-----|
| H'5F | Size | Status | ERROR | SUM |
|------|------|--------|-------|-----|

- Response, H'5F, (one byte): Response to boot program state inquiry
- Size (one byte): The number of bytes. This is fixed to 2.
- Status (one byte): State of the boot program

**Table 21.13 Status Code**

| <b>Code</b> | <b>Description</b>  |
|-------------|---|
| H'11        | Device Selection Wait   |
| H'12        | Clock Mode Selection Wait   |
| H'13        | Bit Rate Selection Wait   |
| H'1F        | Programming/Erasing State Transition Wait (Bit rate selection is completed) |
| H'31        | Programming State for Erasure   |
| H'3F        | Programming/Erasing Selection Wait (Erasure is completed)                   |
| H'4F        | Programming Data Receive Wait   |
| H'5F        | Erasure Block Specification Wait (Erasure is completed)                     |

- **ERROR** (one byte): Error status  
     ERROR = 0 indicates normal operation.  
     ERROR = 1 indicates error has occurred.

**Table 21.14 Error Code**

| <b>Code</b> | <b>Description</b>                     |
|-------------|--|
| H'00        | No Error                               |
| H'11        | Sum Check Error                        |
| H'12        | Program Size Error                     |
| H'21        | Device Code Mismatch Error             |
| H'22        | Clock Mode Mismatch Error              |
| H'24        | Bit Rate Selection Error               |
| H'25        | Input Frequency Error                  |
| H'26        | Multiplication Ratio Error             |
| H'27        | Operating Frequency Error              |
| H'29        | Block Number Error                     |
| H'2A        | Address Error                          |
| H'2B        | Data Length Error                      |
| H'51        | Erase Error                            |
| H'52        | Erase Incomplete Error                 |
| H'53        | Programming Error                      |
| H'54        | Selection Processing Error             |
| H'80        | Command Error                          |
| H'FF        | Bit-Rate-Adjustment Confirmation Error |

- **SUM** (one byte): Sum check  
     This command is accepted during programming/erasing operation, however, response time will be longer.

## 21.9 Usage Notes

### 1. Download time of on-chip program

The programming program that includes the initialization routine and the erasing program that includes the initialization routine are each 4 kbytes or less. Accordingly, when the CPU clock frequency is 35 MHz, the download for each program takes approximately 60  $\mu$ s at maximum.

### 2. Write to flash-memory related registers by DMAC

While an instruction in on-chip RAM is being executed, the DMAC can write to the SCO bit in FCCS that is used for a download request or FMATS that is used for MAT switching. Make sure that these registers are not accidentally written to, otherwise an on-chip program may be downloaded and damage RAM or a MAT switchover may occur and the CPU get out of control. Do not use DMAC to program FLASH related registers.

### 3. Compatibility with programming/erasing program of conventional F-ZTAT H8 microcomputer

A programming/erasing program for flash memory used in the conventional F-ZTAT H8 microcomputer which does not support download of the on-chip program by a SCO transfer request cannot run in this LSI. Be sure to download the on-chip program to execute programming/erasing of flash memory in this LSI.

### 4. Monitoring runaway by WDT

Unlike the conventional F-ZTAT H8 microcomputer, no countermeasures are available for a runaway by WDT during programming/erasing by the downloaded on-chip program. Prepare countermeasures (e.g. use of the periodic timer interrupts) for WDT while taking the programming/erasing time into consideration as required.

### 5. Notes on supplying power

When the power is supplied, the reset signal must be a low level and the external-input clock must be supplied.

### 6. User branch processing intervals

The user branch processing interval differs for programming and erasing operations. Table 21.15 shows the maximum start intervals when the CPU clock frequency is 35 MHz.

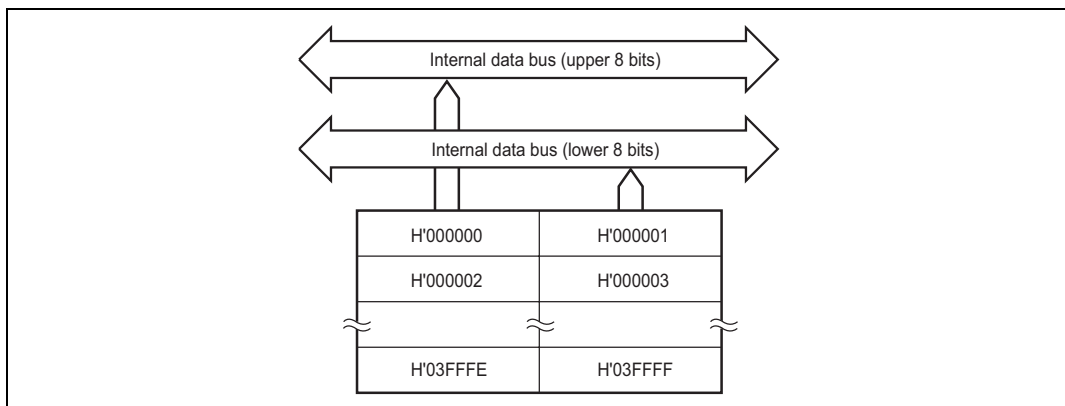
**Table 21.15 User Branch Processing Start Intervals**

|                       | <b>Maximum Interval</b> |
|-----------------------|-------------------------|
| Programming operation | 1 ms                    |
| Erasing operation     | 30 ms                   |



## Section 22 Masked ROM

The H8S/2375 and H8S/2375R have 256 kbytes of masked ROM. The on-chip ROM is connected to the CPU, data transfer controller (DTC), and DMA controller (DMAC) with a 16-bit data bus. The on-chip ROM can be accessed by the CPU, DTC, and DMAC in 8 or 16-bit units. The data in the on-chip ROM can always be accessed in one state.



**Figure 22.1 Block Diagram of 256-kbyte Masked ROM (HD6432375)**

The on-chip ROM is enabled or disabled according to the operating mode. The operating mode is selected by the mode setting pins MD2 to MD0 as shown in table 3.1. Select mode 4 or 7 when the on-chip ROM is used, and mode 1 or 2 when the on-chip ROM is not used. The on-chip ROM is allocated in area 0.

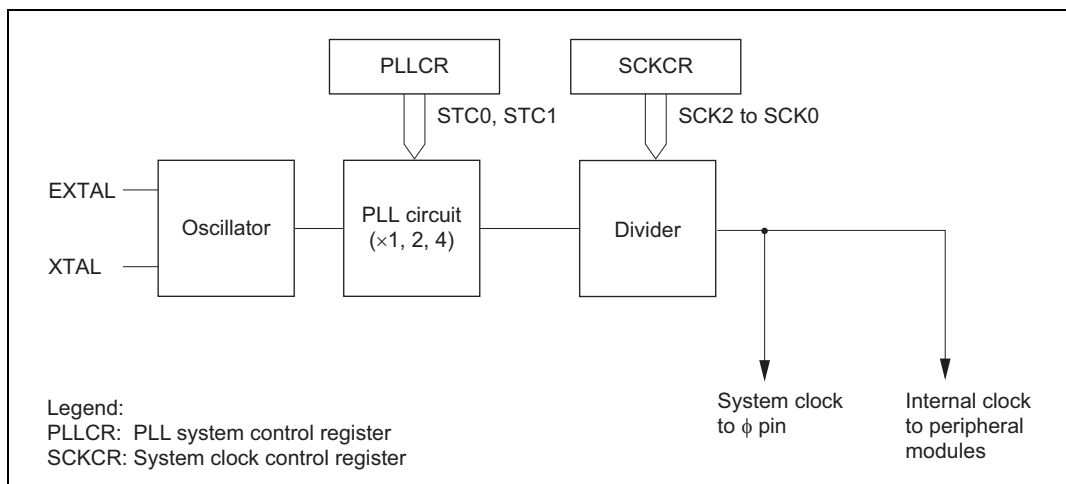


## Section 23 Clock Pulse Generator

This LSI has an on-chip clock pulse generator (CPG) that generates the system clock ( $\phi$ ) and internal clocks.

The clock pulse generator consists of an oscillator circuit, PLL circuit, and divider.

Figure 23.1 shows a block diagram of the clock pulse generator.



**Figure 23.1 Block Diagram of Clock Pulse Generator**

The frequency can be changed by means of the PLL circuit. Frequency changes are made by software by means of settings in the PLL control register (PLLCR) and the system clock control register (SCKCR).

### 23.1 Register Descriptions

The clock pulse generator has the following registers.

- System clock control register (SCKCR)
- PLL control register (PLLCR)

#### 23.1.1 System Clock Control Register (SCKCR)

SCKCR controls  $\phi$  clock output and selects operation when the frequency multiplication factor used by the PLL circuit is changed, and the division ratio used by the divider.

| Bit  | Bit Name | Initial Value | R/W | Description   |
|------|----------|---------------|-----|---|
| 7    | PSTOP    | 0             | R/W | <p><math>\phi</math> Clock Output Disable</p> <p>Controls <math>\phi</math> output.</p> <p>Normal Operation</p> <p>0: <math>\phi</math> output</p> <p>1: Fixed high</p> <p>Sleep Mode</p> <p>0: <math>\phi</math> output</p> <p>1: Fixed high</p> <p>Software Standby Mode</p> <p>0: Fixed high</p> <p>1: Fixed high</p> <p>Hardware Standby Mode</p> <p>0: High impedance</p> <p>1: High impedance</p> <p>All module clock stop mode</p> <p>0: <math>\phi</math> output</p> <p>1: Fixed high</p> |
| 6    | —        | 0             | R/W | <p>Reserved</p> <p>The initial value should not be changed.</p>   |
| 5, 4 | —        | All 0         | R/W | <p>Reserved</p> <p>These bits can be read from or written to. However, the write value should always be 0.</p>  |
| 3    | STCS     | 0             | R/W | <p>Frequency Multiplication Factor Switching Mode Select</p> <p>Selects the operation when the PLL circuit frequency multiplication factor is changed.</p> <p>0: Specified multiplication factor is valid after transition to software standby mode</p> <p>1: Specified multiplication factor is valid immediately after STC1 and STC0 bits are rewritten</p>   |

| Bit | Bit Name | Initial Value | R/W | Description   |
|-----|----------|---------------|-----|---|
| 2   | SCK2     | 0             | R/W | System Clock Select 2 to 0  |
| 1   | SCK1     | 0             | R/W | Select the division ratio.  |
| 0   | SCK0     | 0             | R/W | 000: 1/1<br>001: 1/2<br>010: 1/4<br>011: 1/8<br>100: Setting prohibited<br>101: Setting prohibited<br>11x: Setting prohibited |

Legend:

x: Don't care

### 23.1.2 PLL Control Register (PLLCR)

PLLCR sets the frequency multiplication factor used by the PLL circuit.

| Bit          | Bit Name | Initial Value | R/W | Description  |
|--------------|----------|---------------|-----|--|
| 7<br>to<br>4 | —        | All 0         | —   | Reserved<br>These bits are always read as 0 and cannot be modified.  |
| 3            | —        | 0             | R/W | Reserved<br>This bit can be read from or written to. However, the write value should always be 0.  |
| 2            | —        | 0             | —   | Reserved<br>This bit is always read as 0 and cannot be modified.   |
| 1            | STC1     | 0             | R/W | Frequency Multiplication Factor  |
| 0            | STC0     | 0             | R/W | The STC bits specify the frequency multiplication factor used by the PLL circuit.<br>00: × 1<br>01: × 2<br>10: × 4<br>11: Setting prohibited |

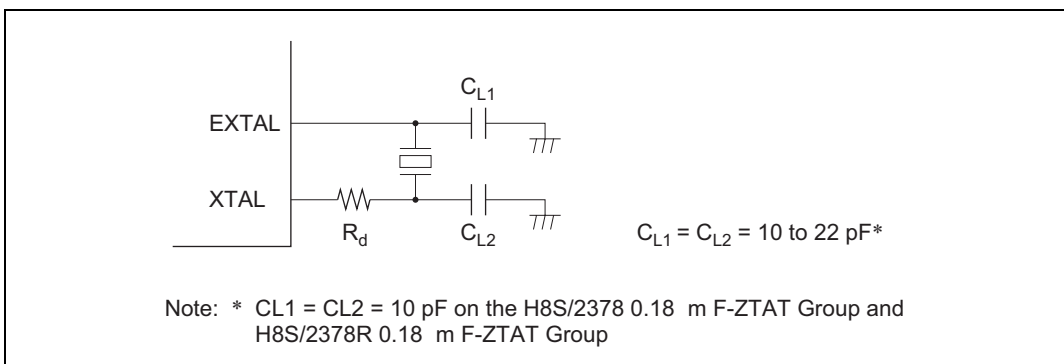
## 23.2 Oscillator

Clock pulses can be supplied by connecting a crystal resonator, or by input of an external clock.

### 23.2.1 Connecting a Crystal Resonator

A crystal resonator can be connected as shown in the example in figure 23.2. Select the damping resistance  $R_d$  according to table 23.1. An AT-cut parallel-resonance type should be used.

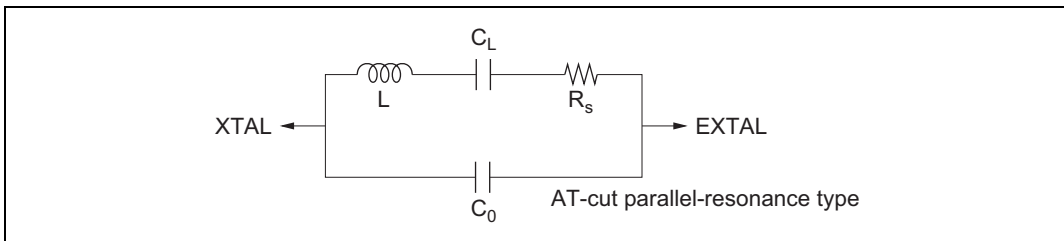
Figure 23.3 shows the equivalent circuit of the crystal resonator. Use a crystal resonator that has the characteristics shown in table 23.2. When a crystal resonator is used, the range of its frequencies is from 8 to 25 MHz.



**Figure 23.2 Connection of Crystal Resonator (Example)**

**Table 23.1 Damping Resistance Value**

| Frequency (MHz)    | 8   | 12 | 16 | 20 | 25 |
|--------------------|-----|----|----|----|----|
| $R_d$ ( $\Omega$ ) | 200 | 0  | 0  | 0  | 0  |



**Figure 23.3 Crystal Resonator Equivalent Circuit**

**Table 23.2 Crystal Resonator Characteristics**

| Frequency (MHz)        | 8  | 12 | 16 | 20 | 25 |
|------------------------|----|----|----|----|----|
| $R_S$ max ( $\Omega$ ) | 80 | 60 | 50 | 40 | 40 |
| $C_0$ max (pF)         | 7  | 7  | 7  | 7  | 7  |

### 23.2.2 External Clock Input

An external clock signal can be input as shown in the examples in figure 23.4. If the XTAL pin is left open, make sure that parasitic capacitance is no more than 10 pF. When the counter clock is input to the XTAL pin, make sure that the external clock is held high in standby mode.

Table 23.3 shows the input conditions for the external clock. When an external clock is used, the range of its frequencies is from 8 to 25 MHz.

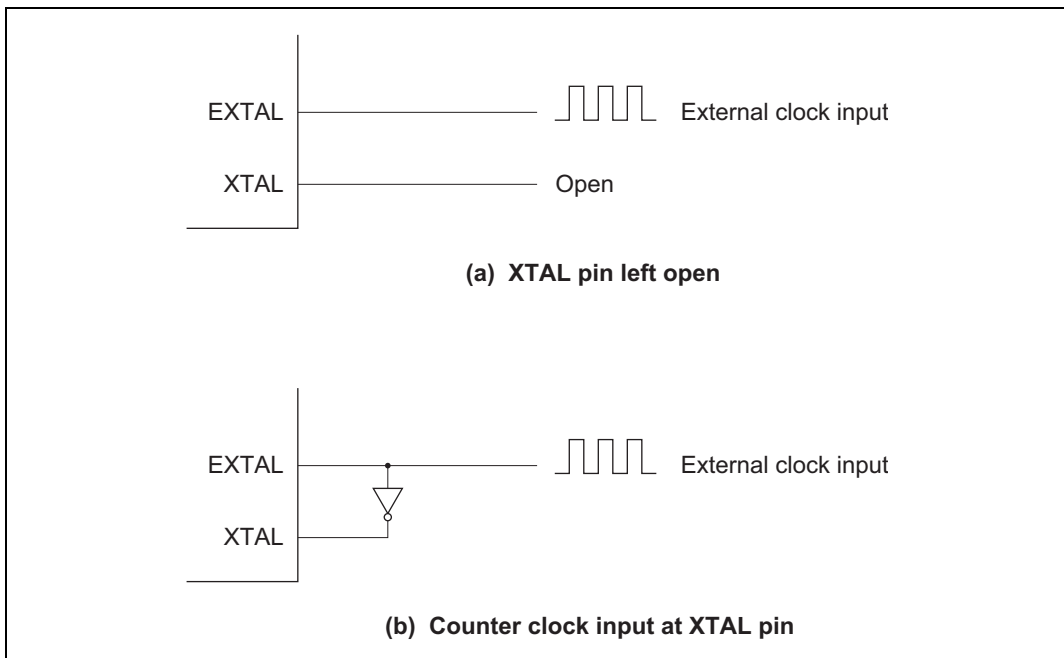
**Figure 23.4 External Clock Input (Examples)**

Table 23.3 External Clock Input Conditions

| Item                                  | Symbol    | $V_{CC} = 3.0\text{ V to }3.6\text{ V}$ |     | Unit      | Test Conditions |
|---------------------------------------|-----------|---|-----|-----------|-----------------|
|                                       |           | Min                                     | Max |           |                 |
| External clock input low pulse width  | $t_{EXL}$ | 15                                      | —   | ns        | Figure 23.5     |
| External clock input high pulse width | $t_{EXH}$ | 15                                      | —   | ns        |                 |
| External clock rise time              | $t_{EXr}$ | —                                       | 5   | ns        |                 |
| External clock fall time              | $t_{EXf}$ | —                                       | 5   | ns        |                 |
| Clock low pulse width                 | $t_{CL}$  | 0.4                                     | 0.6 | $t_{cyc}$ |                 |
| Clock high pulse width                | $t_{CH}$  | 0.4                                     | 0.6 | $t_{cyc}$ |                 |

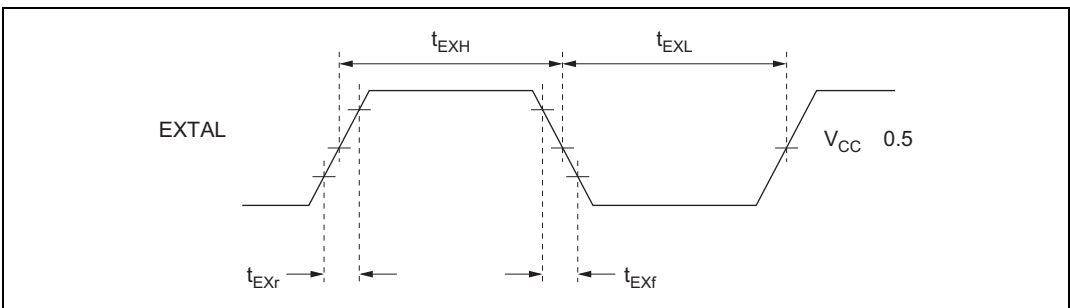


Figure 23.5 External Clock Input Timing



### 23.3 PLL Circuit

The PLL circuit has the function of multiplying the frequency of the clock from the oscillator by a factor of 1, 2, or 4. The multiplication factor is set with the STC1 and the STC0 bits in PLLCR. The phase of the rising edge of the internal clock is controlled so as to match that of the rising edge of the EXTAL pin.

When the multiplication factor of the PLL circuit is changed, the operation varies according to the setting of the STCS bit in SCKCR.

When STCS = 0, the setting becomes valid after a transition to software standby mode. The transition time count is performed in accordance with the setting of bits STS3 to STS0 in SBYCR. For details on SBYCR, refer to section 24.1.1, Standby Control Register (SBYCR).

1. The initial PLL circuit multiplication factor is 1.
2. A value is set in bits STS3 to STS0 to give the specified transition time.
3. The target value is set in bits STC1 and STC0, and a transition is made to software standby mode.
4. The clock pulse generator stops and the value set in STC1 and STC0 becomes valid.
5. Software standby mode is cleared, and a transition time is secured in accordance with the setting in STS3 to STS0.
6. After the set transition time has elapsed, this LSI resumes operation using the target multiplication factor.

When STCS = 1, this LSI operates using the new multiplication factor immediately after bits STC1 and STC0 are rewritten.

### 23.4 Frequency Divider

The frequency divider divides the PLL output clock to generate a 1/2, 1/4, or 1/8 clock.

## 23.5 Usage Notes

### 23.5.1 Notes on Clock Pulse Generator

1. The following points should be noted since the frequency of  $\phi$  changes according to the settings of SCKCR and PLLCR.

Select a clock division ratio that is within the operation guaranteed range of clock cycle time  $t_{cyc}$  shown in the AC timing of the Electrical Characteristics. In other words,  $\phi$  must be set to a value between 8 MHz (minimum) and 33 MHz\* (maximum). The setting of  $\phi$  must not be less than 8 MHz or greater than 33 MHz\*.

Note: \* 35 MHz for the H8S/2378  
34 MHz for the H8S/2378R, H8S/2374, H8S/2372, H8S/2371, H8S/2370,  
H8S/2374R, H8S/2372R, H8S/2371R, and H8S/2370R

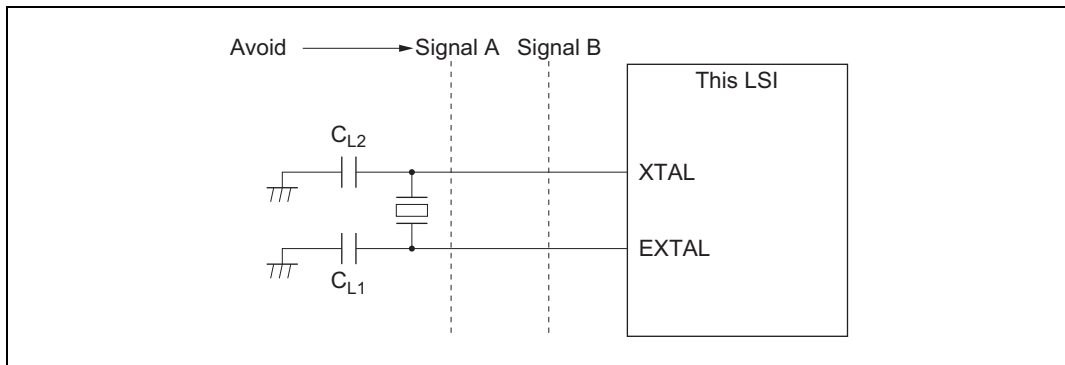
2. All the on-chip peripheral modules operate on the  $\phi$ . Therefore, note that the time processing of modules such as a timer and SCI differ before and after changing the clock division ratio. In addition, wait time for clearing software standby mode differs by changing the clock division ratio. See the description, Setting Oscillation Stabilization Time after Clearing Software Standby Mode in section 24.2.3, Software Standby Mode, for details.
3. Note that the frequency of  $\phi$  will be changed when setting SCKCR or PLLCR while executing the external bus cycle with the write-data-buffer function.

### 23.5.2 Notes on Resonator

Since various characteristics related to the resonator are closely linked to the user's board design, thorough evaluation is necessary on the user's part, using the resonator connection examples shown in this section as a guide. As the parameters for the oscillation circuit will depend on the floating capacitance of the resonator and the user board, the parameters should be determined in consultation with the resonator manufacturer. The design must ensure that a voltage exceeding the maximum rating is not applied to the resonator pin.

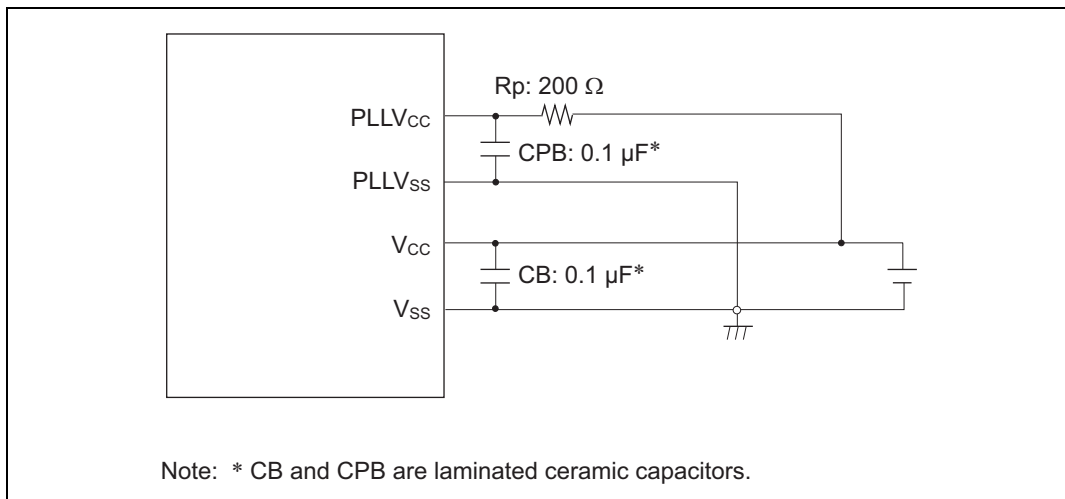
### 23.5.3 Notes on Board Design

When using the crystal resonator, place the crystal resonator and its load capacitors as close as possible to the XTAL and EXTAL pins. Other signal lines should be routed away from the oscillation circuit to prevent induction from interfering with correct oscillation. See figure 23.6.



**Figure 23.6 Note on Board Design for Oscillation Circuit**

Figure 23.7 shows the external circuitry recommended for the PLL circuit. Separate PLLVcc and PLLVss from the other Vcc and Vss lines at the board power supply source, and be sure to insert bypass capacitors CPB and CB close to the pins.



**Figure 23.7 Recommended External Circuitry for PLL Circuit**



## Section 24 Power-Down Modes

In addition to the normal program execution state, this LSI has power-down modes in which operation of the CPU and oscillator is halted and power dissipation is reduced. Low-power operation can be achieved by individually controlling the CPU, on-chip peripheral modules, and so on.

This LSI's operating modes are high-speed mode and six power down modes:

- Clock division mode
- Sleep mode
- Module stop mode
- All module clock stop mode
- Software standby mode
- Hardware standby mode

Sleep mode is a CPU state, clock division mode is an on-chip peripheral function (including bus masters and the CPU) state, and module stop mode is an on-chip peripheral function (including bus masters other than the CPU) state. A combination of these modes can be set.

After a reset, this LSI is in high-speed mode.

Table 24.1 shows the internal states of this LSI in each mode. Figure 24.1 shows the mode transition diagram.

**Table 24.1 Operating Modes and Internal states of the LSI**

| Operating State       |                       | High Speed Mode | Clock Division Mode | Sleep Mode | Module Stop Mode                          | All Module Clock Stop Mode                    | Software Standby Mode                     | Hardware Standby Mode |
|-----------------------|-----------------------|-----------------|---------------------|------------|---|---|---|-----------------------|
| Clock pulse generator |                       | Functions       | Functions           | Functions  | Functions                                 | Functions                                     | Halted                                    | Halted                |
| CPU                   | Instruction execution | Functions       | Functions           | Halted     | Functions                                 | Halted  | Halted                                    | Halted                |
|                       | Register              |                 |                     | Retained   |   |   | Retained                                  | Undefined             |
| External interrupts   | NMI                   | Functions       | Functions           | Functions  | Functions                                 | Functions                                     | Functions                                 | Halted                |
|                       | IRQ0 to 15            |                 |                     |            |   |   |   |                       |
| Peripheral functions  | WDT                   | Functions       | Functions           | Functions  | Functions                                 | Functions                                     | Halted (Retained)                         | Halted (Reset)        |
|                       | TMR                   | Functions       | Functions           | Functions  | Halted (Retained)                         | Functions/<br>Halted (Retained) <sup>*1</sup> | Halted (Retained)                         | Halted (Reset)        |
|                       | EXDMAC <sup>*2</sup>  | Functions       | Functions           | Functions  | Halted (Retained)                         | Halted (Retained)                             | Halted (Retained)                         | Halted (Reset)        |
|                       | DMAC                  | Functions       | Functions           | Functions  | Halted (Retained)                         | Halted (Retained)                             | Halted (Retained)                         | Halted (Reset)        |
|                       | DTC                   | Functions       | Functions           | Functions  | Halted (Retained)                         | Halted (Retained)                             | Halted (Retained)                         | Halted (Reset)        |
|                       | TPU                   | Functions       | Functions           | Functions  | Halted (Retained)                         | Halted (Retained)                             | Halted (Retained)                         | Halted (Reset)        |
|                       | PPG                   | Functions       | Functions           | Functions  | Halted (Retained)                         | Halted (Retained)                             | Halted (Retained)                         | Halted (Reset)        |
|                       | D/A                   | Functions       | Functions           | Functions  | Halted (Retained)                         | Halted (Retained)                             | Halted (Retained)                         | Halted (Reset)        |
|                       | A/D                   | Functions       | Functions           | Functions  | Halted (Retained)                         | Halted (Retained)                             | Halted (Retained)                         | Halted (Reset)        |
|                       | SCI                   | Functions       | Functions           | Functions  | Halted (Reset/<br>retained) <sup>*3</sup> | Halted (Reset/<br>retained) <sup>*3</sup>     | Halted (Reset/<br>retained) <sup>*3</sup> | Halted (Reset)        |
|                       | IIC2                  | Functions       | Functions           | Functions  | Halted (Reset/<br>retained) <sup>*4</sup> | Halted (Reset/<br>retained) <sup>*4</sup>     | Halted (Reset/<br>retained) <sup>*4</sup> | Halted (Reset)        |
|                       | RAM                   | Functions       | Functions           | Functions  | Functions                                 | Functions                                     | Retained                                  | Retained              |
|                       | I/O                   | Functions       | Functions           | Functions  | Functions                                 | Retained                                      | Retained                                  | High impedance        |

- Notes:
- Halted (Retained) in the table means that internal register values are retained and internal operations are suspended.
  - Halted (Reset) in the table means that internal register values and internal states are initialized.
  - In module stop mode, only modules for which a stop setting has been made are halted (reset or retained).
1. The active or halted state can be selected by means of the MSTP0 bit in MSTPCR.
  2. Not supported by the H8S/2375, H8S/2375R, H8S/2373, and H8S/2373R.
  3. TDR, SSR, and RDR are halted (reset) and other registers are halted (retained).
  4. BC2 to BC0 are halted (reset) and other registers are halted (retained).

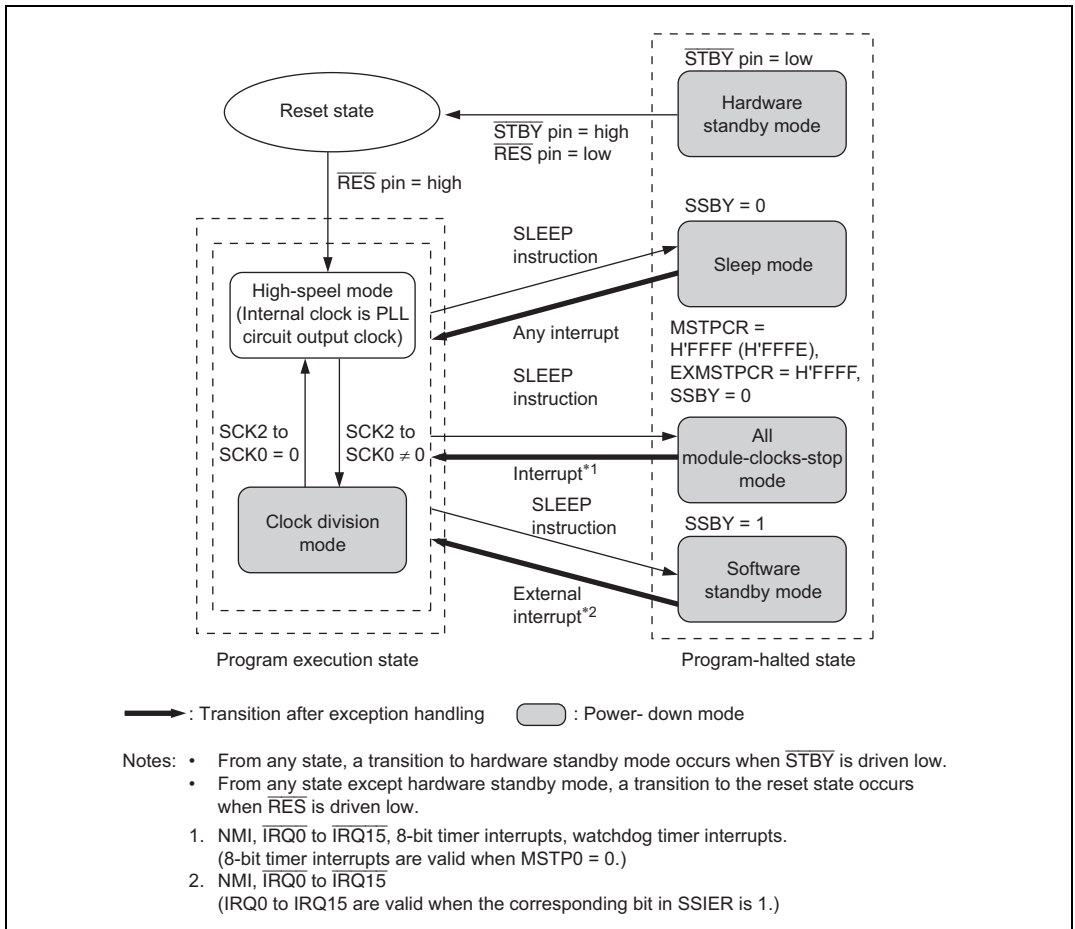


Figure 24.1 Mode Transitions

## 24.1 Register Descriptions

The registers relating to the power-down mode are shown below. For details on the system clock control register (SCKCR), refer to section 23.1.1, System Clock Control Register (SCKCR).

- System clock control register (SCKCR)
- Standby control register (SBYCR)
- Module stop control register H (MSTPCRH)
- Module stop control register L (MSTPCRL)
- Extension module stop control register H (EXMSTPCRH)
- Extension module stop control register L (EXMSTPCRL)

### 24.1.1 Standby Control Register (SBYCR)

SBYCR performs software standby mode control.

| Bit | Bit Name | Initial Value | R/W | Description   |
|-----|----------|---------------|-----|---|
| 7   | SSBY     | 0             | R/W | <p>Software Standby</p> <p>This bit specifies the transition mode after executing the SLEEP instruction</p> <p>0: Shifts to sleep mode after the SLEEP instruction is executed</p> <p>1: Shifts to software standby mode after the SLEEP instruction is executed</p> <p>This bit does not change when clearing the software standby mode by using external interrupts and shifting to normal operation. This bit should be written 0 when clearing.</p>   |
| 6   | OPE      | 1             | R/W | <p>Output Port Enable</p> <p>Specifies whether the output of the address bus and bus control signals (<math>\overline{CS0}</math> to <math>\overline{CS7}</math>, <math>\overline{AS}</math>, <math>\overline{RD}</math>, <math>\overline{HWR}</math>, <math>\overline{LWR}</math>, <math>\overline{UCAS}</math>, <math>\overline{LCAS}</math>) is retained or set to the high-impedance state in software standby mode.</p> <p>0: In software standby mode, address bus and bus control signals are high-impedance</p> <p>1: In software standby mode, address bus and bus control signals retain output state</p> |



| Bit  | Bit Name | Initial Value | R/W | Description  |
|------|----------|---------------|-----|--|
| 5, 4 | —        | All 0         | —   | Reserved<br>These bits are always read as 0. The initial value should not be changed.  |
| 3    | STS3     | 1             | R/W | Standby Timer Select 3 to 0  |
| 2    | STS2     | 1             | R/W | These bits select the time the MCU waits for the clock to stabilize when software standby mode is cleared by an external interrupt. With crystal oscillation, refer to table 24.2 and make a selection according to the operating frequency so that the standby time is at least the oscillation stabilization time. With an external clock, a PLL circuit stabilization time is necessary. Refer to table 24.2 to set the wait time. When DRAM is used and self-refreshing in the software standby state is selected, note that the DRAM's tRAS (self-refresh RAS pulse width) specification must be satisfied.<br><br>With the F-ZTAT version, a flash memory stabilization time must be provided.<br><br>0000: Setting prohibited<br>0001: Setting prohibited<br>0010: Setting prohibited<br>0011: Setting prohibited<br>0100: Setting prohibited<br>0101: Standby time = 64 states<br>0110: Standby time = 512 states<br>0111: Standby time = 1024 states<br>1000: Standby time = 2048 states<br>1001: Standby time = 4096 states<br>1010: Standby time = 16384 states<br>1011: Standby time = 32768 states<br>1100: Standby time = 65536 states<br>1101: Standby time = 131072 states<br>1110: Standby time = 262144 states<br>1111: Standby time = 524288 states |
| 1    | STS1     | 1             | R/W |  |
| 0    | STS0     | 1             | R/W |  |

### 24.1.2 Module Stop Control Registers H and L (MSTPCRH, MSTPCRL)

MSTPCR performs module stop mode control.

Setting a bit to 1, the corresponding module enters module stop mode, while clearing the bit to 0 clears the module stop mode.

- MSTPCRH

| Bit | Bit Name | Initial Value | R/W | Module  |
|-----|----------|---------------|-----|---|
| 15  | ACSE     | 0             | R/W | All-Module-Clocks-Stop Mode Enable<br>Enables or disables all-module-clocks-stop mode, in which, when the CPU executes a SLEEP instruction after module stop mode has been set for all the on-chip peripheral functions controlled by MSTPCR or the on-chip peripheral functions except the TMR.<br>0: All-module-clocks-stop mode disabled<br>1: All-module-clocks-stop mode enabled |
| 14  | MSTP14   | 0             | R/W | EXDMA controller (EXDMAC)*  |
| 13  | MSTP13   | 0             | R/W | DMA controller (DMAC)*  |
| 12  | MSTP12   | 0             | R/W | Data transfer controller (DTC)  |
| 11  | MSTP11   | 1             | R/W | 16-bit timer-pulse unit (TPU)   |
| 10  | MSTP10   | 1             | R/W | Programmable pulse generator (PPG)*   |
| 9   | MSTP9    | 1             | R/W | D/A converter (channels 0 and 1)  |
| 8   | MSTP8    | 1             | R/W | D/A converter (channels 2 and 3)  |

Note: \* Not supported by the H8S2375, H8S/2575R, H8S/2373, and H8S/2373R.

- MSTPCRL

| Bit | Bit Name | Initial Value | R/W | Module                                   |
|-----|----------|---------------|-----|--|
| 7   | MSTP7    | 1             | R/W | D/A converter (channels 4 and 5)*        |
| 6   | MSTP6    | 1             | R/W | A/D converter                            |
| 5   | MSTP5    | 1             | R/W | Serial communication interface 4 (SCI_4) |
| 4   | MSTP4    | 1             | R/W | Serial communication interface 3 (SCI_3) |
| 3   | MSTP3    | 1             | R/W | Serial communication interface 2 (SCI_2) |
| 2   | MSTP2    | 1             | R/W | Serial communication interface 1 (SCI_1) |
| 1   | MSTP1    | 1             | R/W | Serial communication interface 0 (SCI_0) |
| 0   | MSTP0    | 1             | R/W | 8-bit timer (TMR)                        |

Note: \* Not supported by the H8S2375, H8S/2575R, H8S/2373, and H8S/2373R.

### 24.1.3 Extension Module Stop Control Registers H and L (EXMSTPCRH, EXMSTPCRL)

EXMSTPCR performs all-module-clocks-stop mode control with MSTPCR.

When entering all-module-clocks-stop mode, set EXMSTPCR to H'FFFF. Otherwise, set EXMSTPCR to H'FFFD.

- EXMSTPCRH

| Bit      | Bit Name | Initial Value | R/W | Module   |
|----------|----------|---------------|-----|--|
| 15 to 12 | —        | All 1         | R/W | Reserved<br>Read/write is enabled. 1 should be written in writing. |
| 11       | MSTP27   | 1             | R/W | —  |
| 10       | MSTP26   | 1             | R/W | —  |
| 9        | MSTP25   | 1             | R/W | —  |
| 8        | MSTP24   | 1             | R/W | —  |

- EXMSTPCRL

| Bit | Bit Name | Initial Value | R/W | Module                                      |
|-----|----------|---------------|-----|---|
| 7   | MSTP23   | 1             | R/W | —   |
| 6   | MSTP22   | 1             | R/W | —   |
| 5   | MSTP21   | 1             | R/W | —   |
| 4   | MSTP20   | 1             | R/W | I <sup>2</sup> C bus interface 2_1 (IIC2_1) |
| 3   | MSTP19   | 1             | R/W | I <sup>2</sup> C bus interface 2_0 (IIC2_0) |
| 2   | MSTP18   | 1             | R/W | —   |
| 1   | MSTP17   | 0             | R/W | —   |
| 0   | MSTP16   | 1             | R/W | —   |

## 24.2 Operation

### 24.2.1 Clock Division Mode

When bits SCK2 to SCK0 in SCKCR are set to a value from 001 to 101, a transition is made to clock division mode at the end of the bus cycle. In clock division mode, the CPU, bus masters, and on-chip peripheral functions all operate on the operating clock (1/2, 1/4) specified by bits SCK2 to SCK0.

Clock division mode is cleared by clearing all of bits SCK2 to SCK0 to 0. A transition is made to high-speed mode at the end of the bus cycle, and clock division mode is cleared.

If a SLEEP instruction is executed while the SSBY bit in SBYCR is cleared to 0, the chip enters sleep mode. When sleep mode is cleared by an interrupt, clock division mode is restored.

If a SLEEP instruction is executed while the SSBY bit in SBYCR is set to 1, the chip enters software standby mode. When software standby mode is cleared by an external interrupt, clock division mode is restored.

When the  $\overline{\text{RES}}$  pin is driven low, the reset state is entered and clock division mode is cleared. The same applies to a reset caused by watchdog timer overflow.

When the  $\overline{\text{STBY}}$  pin is driven low, a transition is made to hardware standby mode.

### 24.2.2 Sleep Mode

**Transition to Sleep Mode:** When the SLEEP instruction is executed when the SSBY bit is 0 in SBYCR, the CPU enters the sleep mode. In sleep mode, CPU operation stops but the contents of the CPU's internal registers are retained. Other peripheral functions do not stop.

**Exiting Sleep Mode:** Sleep mode is exited by any interrupt, or signals at the  $\overline{\text{RES}}$ , or  $\overline{\text{STBY}}$  pins.

- **Exiting Sleep Mode by Interrupts:**  
When an interrupt occurs, sleep mode is exited and interrupt exception processing starts. Sleep mode is not exited if the interrupt is disabled, or interrupts other than NMI are masked by the CPU.
- **Exiting Sleep Mode by  $\overline{\text{RES}}$  Pin:**  
Setting the  $\overline{\text{RES}}$  pin level low selects the reset state. After the stipulated reset input duration, driving the  $\overline{\text{RES}}$  pin high starts the CPU performing reset exception processing.
- **Exiting Sleep Mode by  $\overline{\text{STBY}}$  Pin:**  
When the  $\overline{\text{STBY}}$  pin level is driven low, a transition is made to hardware standby mode.

### 24.2.3 Software Standby Mode

**Transition to Software Standby Mode:** If a SLEEP instruction is executed when the SSBY bit in SBYCR is set to 1, software standby mode is entered. In this mode, the CPU, on-chip peripheral functions, and oscillator all stop. However, the contents of the CPU's internal registers, RAM data, and the states of on-chip peripheral functions other than the SCI and A/D converter, and I/O ports, are retained. Whether the address bus and bus control signals are placed in the high-impedance state or retain the output state can be specified by the OPE bit in SBYCR.

In this mode the oscillator stops, and therefore power dissipation is significantly reduced.

**Clearing Software Standby Mode:** Software standby mode is cleared by an external interrupt (NMI pin, or pins  $\overline{\text{IRQ0}}$  to  $\overline{\text{IRQ15}}$ ), or by means of the  $\overline{\text{RES}}$  pin or  $\overline{\text{STBY}}$  pin. Setting the SSI bit in SSIER to 1 enables  $\overline{\text{IRQ0}}$  to  $\overline{\text{IRQ15}}$  to be used as software standby mode clearing sources.

Clearing with an Interrupt:

When an NMI or  $\overline{\text{IRQ0}}$  to  $\overline{\text{IRQ15}}$  interrupt request signal is input, clock oscillation starts, and after the elapse of the time set in bits STS3 to STS0 in SBYCR, stable clocks are supplied to the entire LSI, software standby mode is cleared, and interrupt exception handling is started.

When clearing software standby mode with an  $\overline{\text{IRQ0}}$  to  $\overline{\text{IRQ15}}$  interrupt, set the corresponding enable bit to 1 and ensure that no interrupt with a higher priority than interrupts  $\overline{\text{IRQ0}}$  to  $\overline{\text{IRQ15}}$  is

generated. Software standby mode cannot be cleared if the interrupt has been masked on the CPU side or has been designated as a DTC activation source.

Clearing with the  $\overline{\text{RES}}$  Pin:

When the  $\overline{\text{RES}}$  pin is driven low, clock oscillation is started. At the same time as clock oscillation starts, clocks are supplied to the entire LSI. Note that the  $\overline{\text{RES}}$  pin must be held low until clock oscillation stabilizes. When the  $\overline{\text{RES}}$  pin goes high, the CPU begins reset exception handling.

Clearing with the  $\overline{\text{STBY}}$  Pin:

When the  $\overline{\text{STBY}}$  pin is driven low, a transition is made to hardware standby mode.

**Setting Oscillation Stabilization Time after Clearing Software Standby Mode:** Bits STS3 to STS0 in SBYCR should be set as described below.

Using a Crystal Resonator:

Set bits STS3 to STS0 so that the standby time is more than the oscillation stabilization time.

Table 24.2 shows the standby times for operating frequencies and settings of bits STS3 to STS0.

Using an External Clock:

A PLL circuit stabilization time is necessary. Refer to table 24.2 to set the wait time.

**Table 24.2 Oscillation Stabilization Time Settings**

| STS3 | STS2 | STS1 | STS0 | Standby Time | $\phi^{*1}$ [MHz] |                  |       |       |       |       |       |       | Unit    |       |       |
|------|------|------|------|--------------|-------------------|------------------|-------|-------|-------|-------|-------|-------|---------|-------|-------|
|      |      |      |      |              | 35 <sup>*2</sup>  | 34 <sup>*3</sup> | 33    | 25    | 20    | 13    | 10    | 8     |         |       |       |
| 0    | 0    | 0    | 0    | Reserved     | —                 | —                | —     | —     | —     | —     | —     | —     | $\mu$ s |       |       |
|      |      |      | 1    | Reserved     | —                 | —                | —     | —     | —     | —     | —     | —     |         |       |       |
|      |      |      | 1    | 0            | Reserved          | —                | —     | —     | —     | —     | —     | —     |         | —     |       |
|      |      |      |      | 1            | Reserved          | —                | —     | —     | —     | —     | —     | —     |         | —     |       |
| 1    | 0    | 0    | 0    | Reserved     | —                 | —                | —     | —     | —     | —     | —     | —     | ms      |       |       |
|      |      |      | 1    | 64           | 1.8               | 1.9              | 1.9   | 2.6   | 3.2   | 4.9   | 6.4   | 8.0   |         |       |       |
|      |      |      | 1    | 0            | 512               | 15.0             | 15.1  | 15.5  | 20.5  | 25.6  | 39.4  | 51.2  |         | 64.0  |       |
|      |      |      |      | 1            | 1024              | 29.3             | 30.1  | 31.0  | 41.0  | 51.2  | 78.8  | 102.4 |         | 128.0 |       |
|      |      |      |      | 1            | 0                 | 2048             | 58.5  | 60.2  | 62.1  | 81.9  | 102.4 | 157.5 |         | 204.8 | 256.0 |
|      |      |      |      |              | 1                 | 4096             | 0.12  | 0.12  | 0.12  | 0.16  | 0.20  | 0.32  |         | 0.41  | 0.51  |
| 1    | 0    | 0    | 0    | 16384        | 0.47              | 0.48             | 0.50  | 0.66  | 0.82  | 1.26  | 1.64  | 2.05  | ms      |       |       |
|      |      |      | 1    | 32765        | 0.94              | 0.96             | 0.99  | 1.31  | 1.64  | 2.52  | 3.28  | 4.10  |         |       |       |
|      |      |      | 1    | 0            | 65536             | 1.87             | 1.93  | 1.99  | 2.62  | 3.28  | 5.04  | 6.55  |         | 8.19  |       |
|      |      |      |      | 1            | 131072            | 3.74             | 3.86  | 3.97  | 5.24  | 6.55  | 10.08 | 13.11 |         | 16.38 |       |
| 1    | 0    | 0    | 0    | 262144       | 7.49              | 7.71             | 7.94  | 10.49 | 13.11 | 20.16 | 26.21 | 32.77 | ms      |       |       |
|      |      |      | 1    | 524288       | 14.98             | 15.42            | 15.89 | 20.97 | 26.21 | 40.33 | 52.43 | 65.54 |         |       |       |

Notes: 1.  $\phi$  is the frequency divider output.

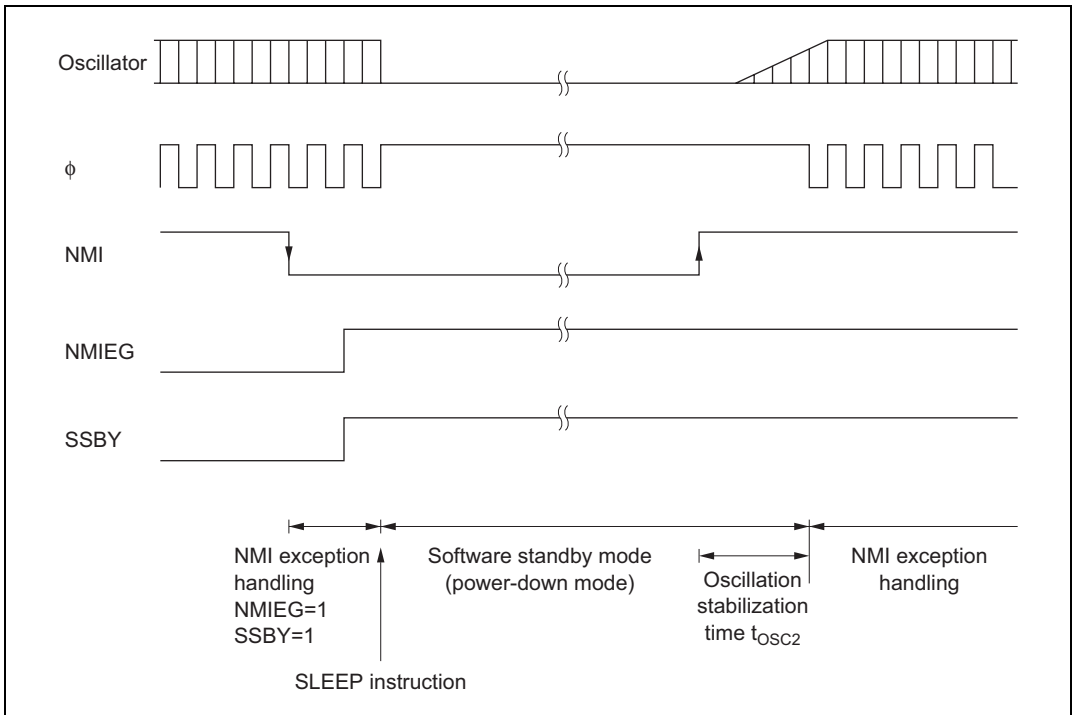
2. Supported on the H8S/2378 only.

3. Supported on the H8S/2378 0.18 $\mu$ m F-ZTAT Group and H8S/2378R 0.18 $\mu$ m F-ZTAT Group only.

**Software Standby Mode Application Example:** Figure 24.2 shows an example in which a transition is made to software standby mode at the falling edge on the NMI pin, and software standby mode is cleared at the rising edge on the NMI pin.

In this example, an NMI interrupt is accepted with the NMIEG bit in INTCR cleared to 0 (falling edge specification), then the NMIEG bit is set to 1 (rising edge specification), the SSBY bit is set to 1, and a SLEEP instruction is executed, causing a transition to software standby mode.

Software standby mode is then cleared at the rising edge on the NMI pin.



**Figure 24.2 Software Standby Mode Application Example**

#### 24.2.4 Hardware Standby Mode

**Transition to Hardware Standby Mode:** When the  $\overline{STBY}$  pin is driven low, a transition is made to hardware standby mode from any mode.

In hardware standby mode, all functions enter the reset state and stop operation, resulting in a significant reduction in power dissipation. As long as the prescribed voltage is supplied, on-chip RAM data is retained. I/O ports are set to the high-impedance state.

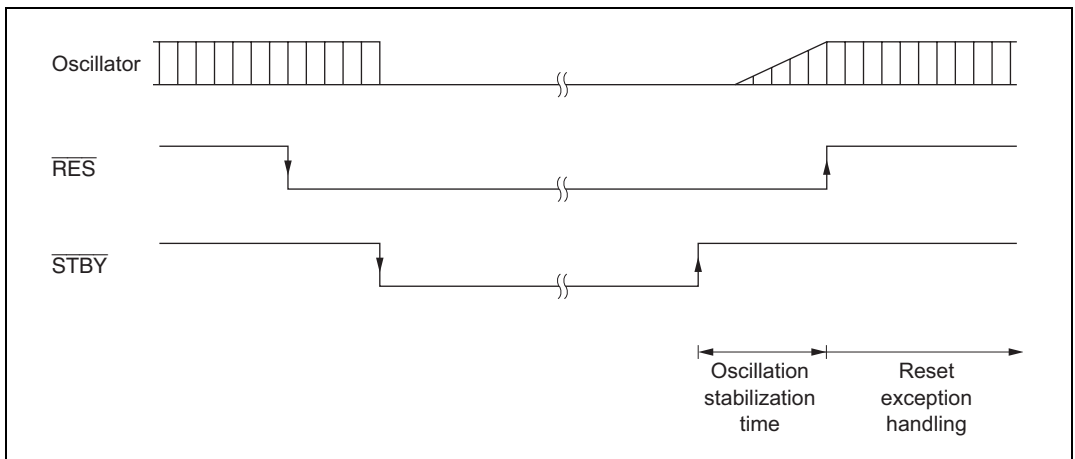
In order to retain on-chip RAM data, the RAME bit in SYSCR should be cleared to 0 before driving the  $\overline{STBY}$  pin low. Do not change the state of the mode pins (MD2 to MD0) while this LSI is in hardware standby mode.



**Clearing Hardware Standby Mode:** Hardware standby mode is cleared by means of the  $\overline{\text{STBY}}$  pin and the  $\overline{\text{RES}}$  pin. When the  $\overline{\text{STBY}}$  pin is driven high while the  $\overline{\text{RES}}$  pin is low, the reset state is set and clock oscillation is started. Ensure that the  $\overline{\text{RES}}$  pin is held low until the clock oscillator stabilizes (for details on the oscillation stabilization time, refer to table 24.2). When the  $\overline{\text{RES}}$  pin is subsequently driven high, a transition is made to the program execution state via the reset exception handling state.

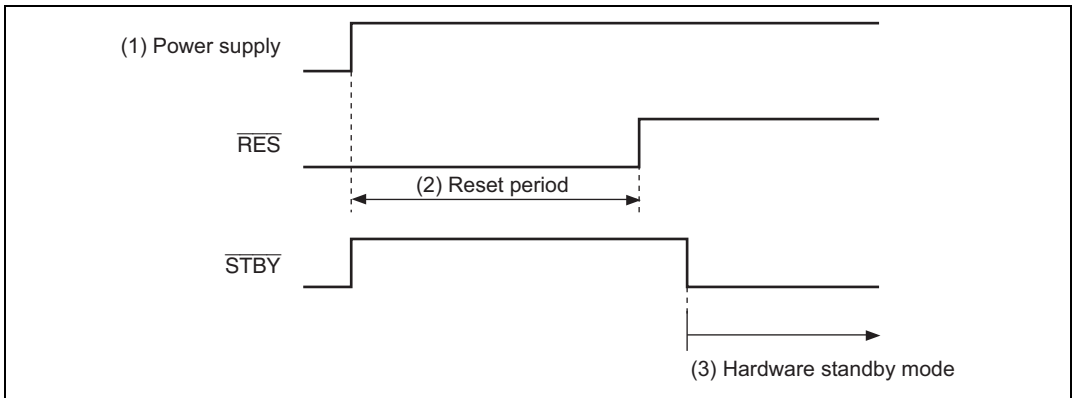
**Hardware Standby Mode Timing:** Figure 24.3 shows an example of hardware standby mode timing.

When the  $\overline{\text{STBY}}$  pin is driven low after the  $\overline{\text{RES}}$  pin has been driven low, a transition is made to hardware standby mode. Hardware standby mode is cleared by driving the  $\overline{\text{STBY}}$  pin high, waiting for the oscillation stabilization time, then changing the  $\overline{\text{RES}}$  pin from low to high.



**Figure 24.3 Hardware Standby Mode Timing**

**Hardware Standby Mode Timing when Power Is Supplied (Only H8S/2378 0.18 $\mu\text{m}$  F-ZTAT Group and H8S/2378R 0.18 $\mu\text{m}$  F-ZTAT Group):** When entering hardware standby mode immediately after the power is supplied, the  $\overline{\text{RES}}$  signal must be driven low for a given period with retaining the  $\overline{\text{STBY}}$  signal high. After the  $\overline{\text{RES}}$  signal is canceled, drive the  $\overline{\text{STBY}}$  signal low.



**Figure 24.4 Hardware Standby Mode Timing when Power Is Supplied**

### 24.2.5 Module Stop Mode

Module stop mode can be set for individual on-chip peripheral modules.

When the corresponding MSTP bit in MSTPCR or EXMSTPCR is set to 1, module operation stops at the end of the bus cycle and a transition is made to module stop mode. The CPU continues operating independently.

When the corresponding MSTP bit is cleared to 0, module stop mode is cleared and the module starts operating at the end of the bus cycle. In module stop mode, the internal states of modules other than the SCI are retained.

After reset clearance, all modules other than the DMAC, and DTC are in module stop mode.

The module registers which are set in module stop mode cannot be read or written to.

### 24.2.6 All-Module-Clocks-Stop Mode

When the ACSE bit in MSTPCRH is set to 1 and module stop mode is set for all the on-chip peripheral functions controlled by MSTPCR or EXMSTPCR (MSTPCR = H'FFFF, EXMSTPCR = H'FFFF), or for all the on-chip peripheral functions except the 8-bit timer (MSTPCR = H'FFFE, EXMSTPCR = H'FFFF), executing a SLEEP instruction while the SSBY bit in SBYCR is cleared to 0 will cause all the on-chip peripheral functions (except the 8-bit timer and watchdog timer), the bus controller, and the I/O ports to stop operating, and a transition to be made to all-module-clocks-stop mode, at the end of the bus cycle.

Operation or halting of the 8-bit timer can be selected by means of the MSTP0 bit.

All-module-clocks-stop mode is cleared by an external interrupt (NMI,  $\overline{\text{IRQ0}}$  to  $\overline{\text{IRQ7}}$  pins),  $\overline{\text{RES}}$  pin input, or an internal interrupt (8-bit timer, watchdog timer), and the CPU returns to the normal program execution state via the exception handling state. All-module-clocks-stop mode is not cleared if interrupts are disabled, if interrupts other than NMI are masked by the CPU, or if the relevant interrupt is designated as a DTC activation source.

When the  $\overline{\text{STBY}}$  pin is driven low, a transition is made to hardware standby mode.

### 24.3 $\phi$ Clock Output Control

Output of the  $\phi$  clock can be controlled by means of the PSTOP bit in SCKCR, and DDR for the corresponding port. When the PSTOP bit is set to 1, the  $\phi$  clock stops at the end of the bus cycle, and  $\phi$  output goes high.  $\phi$  clock output is enabled when the PSTOP bit is cleared to 0. When DDR for the corresponding port is cleared to 0,  $\phi$  clock output is disabled and input port mode is set. Table 24.3 shows the state of the  $\phi$  pin in each processing state.

**Table 24.3  $\phi$  Pin State in Each Processing State**

#### Register Setting

| DDR | PSTOP | Normal operating state | Sleep mode     | Software standby mode | Hardware standby mode | All-module-clocks-stop mode |
|-----|-------|------------------------|----------------|-----------------------|-----------------------|-----------------------------|
| 0   | X     | High impedance         | High impedance | High impedance        | High impedance        | High impedance              |
| 1   | 0     | $\phi$ output          | $\phi$ output  | Fixed high            | High impedance        | $\phi$ output               |
| 1   | 1     | Fixed high             | Fixed high     | Fixed high            | High impedance        | Fixed high                  |

### 24.4 Usage Notes

#### 24.4.1 I/O Port Status

In software standby mode, I/O port states are retained. Therefore, there is no reduction in current dissipation for the output current when a high-level signal is output.

#### 24.4.2 Current Dissipation during Oscillation Stabilization Standby Period

Current dissipation increases during the oscillation stabilization standby period.

### 24.4.3 EXDMAC, DMAC, and DTC Module Stop

Depending on the operating status of the EXDMAC, DMAC, or DTC, the MSTP14 to MSTP13 and may not be set to 1. Setting of the EXDMAC, DMAC, or DTC module stop mode should be carried out only when the respective module is not activated.

For details, refer to section 8, EXDMA Controller (EXDMAC), section 7, DMA Controller (DMAC), and section 9, Data Transfer Controller (DTC).

Note: The EXDMAC is not supported by the H8S/2375, H8S/2375R, H8S/2373, and H8S/2373R.

### 24.4.4 On-Chip Peripheral Module Interrupts

Relevant interrupt operations cannot be performed in module stop mode. Consequently, if module stop mode is entered when an interrupt has been requested, it will not be possible to clear the CPU interrupt source or the DMAC or DTC activation source.

Interrupts should therefore be disabled before entering module stop mode.

Note: The EXDMAC is not supported by the H8S/2375, H8S/2375R, H8S/2373, and H8S/2373R.

### 24.4.5 Writing to MSTPCR, EXMSTPCR

MSTPCR and EXMSTPCR should only be written to by the CPU.

### 24.4.6 Notes on Clock Division Mode

The following points should be noted in clock division mode.

- Select the clock division ratio specified by the SCK2 to SCK0 bits so that the frequency of  $\phi$  is within the operation guaranteed range of clock cycle time  $t_{cyc}$  shown in the Electrical Characteristics. In other words, the range of  $\phi$  must be specified to 8 MHz (min); outside of this range ( $\phi < 8$  MHz) must be prevented.
- All the on-chip peripheral modules operate on the  $\phi$ . Therefore, note that the time processing of modules such as a timer and SCI differ before and after changing the clock division ratio. In addition, wait time for clearing software standby mode differs by changing the clock division ratio.
- Note that the frequency of  $\phi$  will be changed by changing the clock division ratio.

---

## Section 25 List of Registers

The address list gives information on the on-chip I/O register addresses, how the register bits are configured, and the register states in each operating mode. The information is given as shown below.

1. Register addresses (address order)
  - Registers are listed from the lower allocation addresses.
  - Reserved addresses are indicated by — in the register name column. Do not access to reserved addresses.
  - For the addresses of 16 or 32 bits, the MSB-side address is described.
  - Registers are classified by functional modules.
  - The access size is indicated.
2. Register bits
  - Bit configurations of the registers are described in the same order as the register addresses.
  - Reserved bits are indicated by — in the bit name column.
  - For the registers of 16 or 32 bits, the MSB is described first.
3. Register states in each operating mode
  - Register states are described in the same order as the register addresses.
  - The register states described here are for the basic operating modes. If there is a specific reset for an on-chip peripheral module, refer to the section on that on-chip peripheral module.

### 25.1 Register Addresses (Address Order)

The data bus width indicates the numbers of bits by which the register is accessed.

The number of access states indicates the number of states based on the specified reference clock.

| Register Name                                    | Abbreviation | Number of Bits | Address   | Module     | Data Width | Access States |
|--|--------------|----------------|-----------|------------|------------|---------------|
| DTC mode register A                              | MRA          | 8              | H'BC00 to | DTC        | 16/32      | 2             |
| DTC source address register                      | SAR          | 24             | H'BFFF    | DTC        | 16/32      | 2             |
| DTC mode register B                              | MRB          | 8              |           | DTC        | 16/32      | 2             |
| DTC destination address register                 | DAR          | 24             |           | DTC        | 16/32      | 2             |
| DTC transfer count register A                    | CRA          | 16             |           | DTC        | 16/32      | 2             |
| DTC transfer count register B                    | CRB          | 16             |           | DTC        | 16/32      | 2             |
| I <sup>2</sup> C bus control register A_0        | ICCRA_0      | 8              | H'FD58    | IIC2_0     | 8          | 2             |
| I <sup>2</sup> C bus control register B_0        | ICCRB_0      | 8              | H'FD59    | IIC2_0     | 8          | 2             |
| I <sup>2</sup> C bus mode register_0             | ICMR_0       | 8              | H'FD5A    | IIC2_0     | 8          | 2             |
| I <sup>2</sup> C bus interrupt enable register_0 | ICIER_0      | 8              | H'FD5B    | IIC2_0     | 8          | 2             |
| I <sup>2</sup> C bus status register_0           | ICSR_0       | 8              | H'FD5C    | IIC2_0     | 8          | 2             |
| Slave address register_0                         | SAR_0        | 8              | H'FD5D    | IIC2_0     | 8          | 2             |
| I <sup>2</sup> C transfer data register_0        | ICDRT_0      | 8              | H'FD5E    | IIC2_0     | 8          | 2             |
| I <sup>2</sup> C receive data register_0         | ICDRR_0      | 8              | H'FD5F    | IIC2_0     | 8          | 2             |
| I <sup>2</sup> C bus control register A_1        | ICCRA_1      | 8              | H'FD60    | IIC2_1     | 8          | 2             |
| I <sup>2</sup> C bus control register B_1        | ICCRB_1      | 8              | H'FD61    | IIC2_1     | 8          | 2             |
| I <sup>2</sup> C bus mode register_1             | ICMR_1       | 8              | H'FD62    | IIC2_1     | 8          | 2             |
| I <sup>2</sup> C bus interrupt enable register_1 | ICIER_1      | 8              | H'FD63    | IIC2_1     | 8          | 2             |
| I <sup>2</sup> C bus status register_1           | ICSR_1       | 8              | H'FD64    | IIC2_1     | 8          | 2             |
| Slave address register_1                         | SAR_1        | 8              | H'FD65    | IIC2_1     | 8          | 2             |
| I <sup>2</sup> C transfer data register_1        | ICDRT_1      | 8              | H'FD66    | IIC2_1     | 8          | 2             |
| I <sup>2</sup> C receive data register_1         | ICDRR_1      | 8              | H'FD67    | IIC2_1     | 8          | 2             |
| Serial expansion mode register_2                 | SEMR_2       | 8              | H'FDA8    | SCI_2      | 8          | 2             |
| EXDMA source address register_2                  | EDSAR_2      | 32             | H'FDE0    | EXDMAC_2*3 | 16         | 2             |
| EXDMA destination address register_2             | EDDAR_2      | 32             | H'FDE4    | EXDMAC_2*3 | 16         | 2             |
| EXDMA transfer count register_2                  | EDTCR_2      | 32             | H'FDE8    | EXDMAC_2*3 | 16         | 2             |
| EXDMA mode control register_2                    | EDMDR_2      | 16             | H'FDEC    | EXDMAC_2*3 | 16         | 2             |
| EXDMA address control register_2                 | EDACR_2      | 16             | H'FDEE    | EXDMAC_2*3 | 16         | 2             |
| EXDMA source address register_3                  | EDSAR_3      | 32             | H'FDF0    | EXDMAC_3*3 | 16         | 2             |
| EXDMA destination address register_3             | EDDAR_3      | 32             | H'FDF4    | EXDMAC_3*3 | 16         | 2             |

| Register Name                                | Abbrevia-<br>tion | Number<br>of Bits | Address | Module     | Data<br>Width | Access<br>States |
|--|-------------------|-------------------|---------|------------|---------------|------------------|
| EXDMA transfer count register 3              | EDTCR_3           | 32                | H'FDF8  | EXDMAC_3*3 | 16            | 2                |
| EXDMA mode control register 3                | EDMDR_3           | 16                | H'FDFC  | EXDMAC_3*3 | 16            | 2                |
| EXDMA address control register 3             | EDACR_3           | 16                | H'FDFF  | EXDMAC_3*3 | 16            | 2                |
| Interrupt priority register A                | IPRA              | 16                | H'FE00  | INT        | 16            | 2                |
| Interrupt priority register B                | IPRB              | 16                | H'FE02  | INT        | 16            | 2                |
| Interrupt priority register C                | IPRC              | 16                | H'FE04  | INT        | 16            | 2                |
| Interrupt priority register D                | IPRD              | 16                | H'FE06  | INT        | 16            | 2                |
| Interrupt priority register E                | IPRE              | 16                | H'FE08  | INT        | 16            | 2                |
| Interrupt priority register F                | IPRF              | 16                | H'FE0A  | INT        | 16            | 2                |
| Interrupt priority register G                | IPRG              | 16                | H'FE0C  | INT        | 16            | 2                |
| Interrupt priority register H                | IPRH              | 16                | H'FE0E  | INT        | 16            | 2                |
| Interrupt priority register I                | IPRI              | 16                | H'FE10  | INT        | 16            | 2                |
| Interrupt priority register J                | IPRJ              | 16                | H'FE12  | INT        | 16            | 2                |
| Interrupt priority register K                | IPRK              | 16                | H'FE14  | INT        | 16            | 2                |
| IRQ pin select register                      | ITSR              | 16                | H'FE16  | INT        | 16            | 2                |
| Software standby release IRQ enable register | SSIER             | 16                | H'FE18  | INT        | 16            | 2                |
| IRQ sense control register H                 | ISCRH             | 16                | H'FE1A  | INT        | 16            | 2                |
| IRQ sense control register L                 | ISCRL             | 16                | H'FE1C  | INT        | 16            | 2                |
| IrDA control register_0                      | IrCR_0            | 8                 | H'FE1E  | IrDA_0     | 8             | 2                |
| Port 1 data direction register               | P1DDR             | 8                 | H'FE20  | PORT       | 8             | 2                |
| Port 2 data direction register               | P2DDR             | 8                 | H'FE21  | PORT       | 8             | 2                |
| Port 3 data direction register               | P3DDR             | 8                 | H'FE22  | PORT       | 8             | 2                |
| Port 5 data direction register               | P5DDR             | 8                 | H'FE24  | PORT       | 8             | 2                |
| Port 6 data direction register               | P6DDR             | 8                 | H'FE25  | PORT       | 8             | 2                |
| Port 8 data direction register               | P8DDR             | 8                 | H'FE27  | PORT       | 8             | 2                |
| Port A data direction register               | PADDR             | 8                 | H'FE29  | PORT       | 8             | 2                |
| Port B data direction register               | PBDDR             | 8                 | H'FE2A  | PORT       | 8             | 2                |
| Port C data direction register               | PCDDR             | 8                 | H'FE2B  | PORT       | 8             | 2                |
| Port D data direction register               | PDDDR             | 8                 | H'FE2C  | PORT       | 8             | 2                |
| Port E data direction register               | PEDDR             | 8                 | H'FE2D  | PORT       | 8             | 2                |

| Register Name                       | Abbreviation | Number of Bits | Address | Module | Data Width | Access States |
|-------------------------------------|--------------|----------------|---------|--------|------------|---------------|
| Port F data direction register      | PFDDR        | 8              | H'FE2E  | PORT   | 8          | 2             |
| Port G data direction register      | PGDDR        | 8              | H'FE2F  | PORT   | 8          | 2             |
| Port function control register 0    | PFCR0        | 8              | H'FE32  | PORT   | 8          | 2             |
| Port function control register 1    | PFCR1        | 8              | H'FE33  | PORT   | 8          | 2             |
| Port function control register 2    | PFCR2        | 8              | H'FE34  | PORT   | 8          | 2             |
| Port A pull-up MOS control register | PAPCR        | 8              | H'FE36  | PORT   | 8          | 2             |
| Port B pull-up MOS control register | PBPCR        | 8              | H'FE37  | PORT   | 8          | 2             |
| Port C pull-up MOS control register | PCPCR        | 8              | H'FE38  | PORT   | 8          | 2             |
| Port D pull-up MOS control register | PDPCR        | 8              | H'FE39  | PORT   | 8          | 2             |
| Port E pull-up MOS control register | PEPCR        | 8              | H'FE3A  | PORT   | 8          | 2             |
| Port 3 open drain control register  | P3ODR        | 8              | H'FE3C  | PORT   | 8          | 2             |
| Port A open drain control register  | PAODR        | 8              | H'FE3D  | PORT   | 8          | 2             |
| Serial mode register_3              | SMR_3        | 8              | H'FE40  | SCI_3  | 8          | 2             |
| Bit rate register_3                 | BRR_3        | 8              | H'FE41  | SCI_3  | 8          | 2             |
| Serial control register_3           | SCR_3        | 8              | H'FE42  | SCI_3  | 8          | 2             |
| Transmit data register_3            | TDR_3        | 8              | H'FE43  | SCI_3  | 8          | 2             |
| Serial status register_3            | SSR_3        | 8              | H'FE44  | SCI_3  | 8          | 2             |
| Slave data register_3               | RDR_3        | 8              | H'FE45  | SCI_3  | 8          | 2             |
| Smart card mode register_3          | SCMR_3       | 8              | H'FE46  | SCI_3  | 8          | 2             |
| Serial mode register_4              | SMR_4        | 8              | H'FE48  | SCI_4  | 8          | 2             |
| Bit rate register_4                 | BRR_4        | 8              | H'FE49  | SCI_4  | 8          | 2             |
| Serial control register_4           | SCR_4        | 8              | H'FE4A  | SCI_4  | 8          | 2             |
| Transmit data register_4            | TDR_4        | 8              | H'FE4B  | SCI_4  | 8          | 2             |
| Serial status register_4            | SSR_4        | 8              | H'FE4C  | SCI_4  | 8          | 2             |
| Slave data register_4               | RDR_4        | 8              | H'FE4D  | SCI_4  | 8          | 2             |
| Smart card mode register_4          | SCMR_4       | 8              | H'FE4E  | SCI_4  | 8          | 2             |
| Timer control register_3            | TCR_3        | 8              | H'FE80  | TPU_3  | 16         | 2             |
| Timer mode register_3               | TMDR_3       | 8              | H'FE81  | TPU_3  | 16         | 2             |
| Timer I/O control register H_3      | TIORH_3      | 8              | H'FE82  | TPU_3  | 16         | 2             |
| Timer I/O control register L_3      | TIORL_3      | 8              | H'FE83  | TPU_3  | 16         | 2             |



| Register Name                       | Abbrevia-<br>tion | Number<br>of Bits | Address | Module | Data<br>Width | Access<br>States |
|-------------------------------------|-------------------|-------------------|---------|--------|---------------|------------------|
| Timer interrupt enable register_3   | TIER_3            | 8                 | H'FE84  | TPU_3  | 16            | 2                |
| Timer status register_3             | TSR_3             | 8                 | H'FE85  | TPU_3  | 16            | 2                |
| Timer counter_3                     | TCNT_3            | 16                | H'FE86  | TPU_3  | 16            | 2                |
| Timer general register A_3          | TGRA_3            | 16                | H'FE88  | TPU_3  | 16            | 2                |
| Timer general register B_3          | TGRB_3            | 16                | H'FE8A  | TPU_3  | 16            | 2                |
| Timer general register C_3          | TGRC_3            | 16                | H'FE8C  | TPU_3  | 16            | 2                |
| Timer general register D_3          | TGRD_3            | 16                | H'FE8E  | TPU_3  | 16            | 2                |
| Timer control register_4            | TCR_4             | 8                 | H'FE90  | TPU_4  | 16            | 2                |
| Timer mode register_4               | TMDR_4            | 8                 | H'FE91  | TPU_4  | 16            | 2                |
| Timer I/O control register_4        | TIOR_4            | 8                 | H'FE92  | TPU_4  | 16            | 2                |
| Timer interrupt enable register_4   | TIER_4            | 8                 | H'FE94  | TPU_4  | 16            | 2                |
| Timer status register_4             | TSR_4             | 8                 | H'FE95  | TPU_4  | 16            | 2                |
| Timer counter_4                     | TCNT_4            | 16                | H'FE96  | TPU_4  | 16            | 2                |
| Timer general register A_4          | TGRA_4            | 16                | H'FE98  | TPU_4  | 16            | 2                |
| Timer general register B_4          | TGRB_4            | 16                | H'FE9A  | TPU_4  | 16            | 2                |
| Timer control register_5            | TCR_5             | 8                 | H'FEA0  | TPU_5  | 16            | 2                |
| Timer mode register_5               | TMDR_5            | 8                 | H'FEA1  | TPU_5  | 16            | 2                |
| Timer I/O control register_5        | TIOR_5            | 8                 | H'FEA2  | TPU_5  | 16            | 2                |
| Timer interrupt enable register_5   | TIER_5            | 8                 | H'FEA4  | TPU_5  | 16            | 2                |
| Timer status register_5             | TSR_5             | 8                 | H'FEA5  | TPU_5  | 16            | 2                |
| Timer counter_5                     | TCNT_5            | 16                | H'FEA6  | TPU_5  | 16            | 2                |
| Timer general register A_5          | TGRA_5            | 16                | H'FEA8  | TPU_5  | 16            | 2                |
| Timer general register B_5          | TGRB_5            | 16                | H'FEAA  | TPU_5  | 16            | 2                |
| Bus width control register          | ABWCR             | 8                 | H'FEC0  | BSC    | 16            | 2                |
| Access state control register       | ASTCR             | 8                 | H'FEC1  | BSC    | 16            | 2                |
| Wait control register AH            | WTCRAH            | 8                 | H'FEC2  | BSC    | 16            | 2                |
| Wait control register AL            | WTCRAL            | 8                 | H'FEC3  | BSC    | 16            | 2                |
| Wait control register BH            | WTCRBH            | 8                 | H'FEC4  | BSC    | 16            | 2                |
| Wait control register BL            | WTCRBL            | 8                 | H'FEC5  | BSC    | 16            | 2                |
| Read strobe timing control register | RDNCR             | 8                 | H'FEC6  | BSC    | 16            | 2                |

| Register Name                                    | Abbreviation | Number of Bits | Address | Module | Data Width | Access States |
|--|--------------|----------------|---------|--------|------------|---------------|
| Chip select assertion period control registers H | CSACRH       | 8              | H'FEC8  | BSC    | 16         | 2             |
| Chip select assertion period control register L  | CSACRL       | 8              | H'FEC9  | BSC    | 16         | 2             |
| Burst ROM interface control register H           | BROMCRH      | 8              | H'FECA  | BSC    | 16         | 2             |
| Burst ROM interface control register L           | BROMCRL      | 8              | H'FECB  | BSC    | 16         | 2             |
| Bus control register                             | BCR          | 16             | H'FECC  | BSC    | 16         | 2             |
| DRAM control register L                          | DRAMCR       | 16             | H'FED0  | BSC    | 16         | 2             |
| DRAM access control register H                   | DRACCRH      | 8              | H'FED2  | BSC    | 16         | 2             |
| DRAM access control register L                   | DRACCRL      | 8              | H'FED3  | BSC    | 16         | 2             |
| Refresh control register                         | REFCR        | 16             | H'FED4  | BSC    | 16         | 2             |
| Refresh timer counter                            | RTCNT        | 8              | H'FED6  | BSC    | 16         | 2             |
| Refresh time constant register                   | RTCOR        | 8              | H'FED7  | BSC    | 16         | 2             |
| Memory address register 0AH                      | MAR_0AH      | 16             | H'FEE0  | DMAC   | 16         | 2             |
| Memory address register 0AL                      | MAR_0AL      | 16             | H'FEE2  | DMAC   | 16         | 2             |
| I/O address register 0A                          | IOAR_0A      | 16             | H'FEE4  | DMAC   | 16         | 2             |
| Transfer count register 0A                       | ETCR_0A      | 16             | H'FEE6  | DMAC   | 16         | 2             |
| Memory address register 0BH                      | MAR_0BH      | 16             | H'FEE8  | DMAC   | 16         | 2             |
| Memory address register 0BL                      | MAR_0BL      | 16             | H'FEEA  | DMAC   | 16         | 2             |
| I/O address register 0B                          | IOAR_0B      | 16             | H'FEEC  | DMAC   | 16         | 2             |
| Transfer count register 0B                       | ETCR_0B      | 16             | H'FEED  | DMAC   | 16         | 2             |
| Memory address register 1AH                      | MAR_1AH      | 16             | H'FEF0  | DMAC   | 16         | 2             |
| Memory address register 1AL                      | MAR_1AL      | 16             | H'FEF2  | DMAC   | 16         | 2             |
| I/O address register 1A                          | IOAR_1A      | 16             | H'FEF4  | DMAC   | 16         | 2             |
| Transfer count register 1A                       | ETCR_1A      | 16             | H'FEF6  | DMAC   | 16         | 2             |
| Memory address register 1BH                      | MAR_1BH      | 16             | H'FEF8  | DMAC   | 16         | 2             |
| Memory address register 1BL                      | MAR_1BL      | 16             | H'FEFA  | DMAC   | 16         | 2             |
| I/O address register 1B                          | IOAR_1B      | 16             | H'FEFC  | DMAC   | 16         | 2             |
| Transfer count register 1B                       | ETCR_1B      | 16             | H'FEFE  | DMAC   | 16         | 2             |
| DMA write enable register                        | DMAWER       | 8              | H'FF20  | DMAC   | 8          | 2             |
| DMA terminal control register                    | DMATCR       | 8              | H'FF21  | DMAC   | 8          | 2             |

| Register Name                            | Abbrevia-<br>tion | Number<br>of Bits | Address | Module | Data<br>Width | Access<br>States |
|--|-------------------|-------------------|---------|--------|---------------|------------------|
| DMA control register 0A                  | DMACR_0A          | 8                 | H'FF22  | DMAC   | 16            | 2                |
| DMA control register 0B                  | DMACR_0B          | 8                 | H'FF23  | DMAC   | 16            | 2                |
| DMA control register 1A                  | DMACR_1A          | 8                 | H'FF24  | DMAC   | 16            | 2                |
| DMA control register 1B                  | DMACR_1B          | 8                 | H'FF25  | DMAC   | 16            | 2                |
| DMA band control register H              | DMABCRH           | 8                 | H'FF26  | DMAC   | 16            | 2                |
| DMA band control register L              | DMABCRL           | 8                 | H'FF27  | DMAC   | 16            | 2                |
| DTC enable register A                    | DTGERA            | 8                 | H'FF28  | DTC    | 16            | 2                |
| DTC enable register B                    | DTGERB            | 8                 | H'FF29  | DTC    | 16            | 2                |
| DTC enable register C                    | DTGERC            | 8                 | H'FF2A  | DTC    | 16            | 2                |
| DTC enable register D                    | DTGERD            | 8                 | H'FF2B  | DTC    | 16            | 2                |
| DTC enable register E                    | DTGERE            | 8                 | H'FF2C  | DTC    | 16            | 2                |
| DTC enable register F                    | DTGERF            | 8                 | H'FF2D  | DTC    | 16            | 2                |
| DTC enable register G                    | DTGERG            | 8                 | H'FF2E  | DTC    | 16            | 2                |
| DTC enable register H                    | DTGERH            | 8                 | H'FF2F  | DTC    | 16            | 2                |
| DTC vector register                      | DTVECR            | 8                 | H'FF30  | DTC    | 16            | 2                |
| Interrupt control register               | INTCR             | 8                 | H'FF31  | INT    | 16            | 2                |
| IRQ enable register                      | IER               | 16                | H'FF32  | INT    | 16            | 2                |
| IRQ status register                      | ISR               | 16                | H'FF34  | INT    | 16            | 2                |
| Standby control register                 | SBYCR             | 8                 | H'FF3A  | SYSTEM | 8             | 2                |
| System clock control register            | SCKCR             | 8                 | H'FF3B  | SYSTEM | 8             | 2                |
| System control register                  | SYSCR             | 8                 | H'FF3D  | SYSTEM | 8             | 2                |
| Mode control register                    | MDCR              | 8                 | H'FF3E  | SYSTEM | 8             | 2                |
| Module stop control register H           | MSTPCRH           | 8                 | H'FF40  | SYSTEM | 8             | 2                |
| Module stop control register L           | MSTPCRL           | 8                 | H'FF41  | SYSTEM | 8             | 2                |
| Extension module stop control register H | EXMSTPCRH         | 8                 | H'FF42  | SYSTEM | 8             | 2                |
| Extension module stop control register L | EXMSTPCRL         | 8                 | H'FF43  | SYSTEM | 8             | 2                |
| PLL control register                     | PLLCR             | 8                 | H'FF45  | SYSTEM | 8             | 2                |
| PPG output control register              | PCR               | 8                 | H'FF46  | PPG    | 8             | 2                |
| PPG output mode register                 | PMR               | 8                 | H'FF47  | PPG    | 8             | 2                |
| Next data enable register H              | NDERH             | 8                 | H'FF48  | PPG    | 8             | 2                |

| Register Name                      | Abbrevia-<br>tion | Number<br>of Bits | Address | Module | Data<br>Width | Access<br>States |
|------------------------------------|-------------------|-------------------|---------|--------|---------------|------------------|
| Next data enable register L        | NDERL             | 8                 | H'FF49  | PPG    | 8             | 2                |
| Output data register H             | PODRH             | 8                 | H'FF4A  | PPG    | 8             | 2                |
| Output data register L             | PODRL             | 8                 | H'FF4B  | PPG    | 8             | 2                |
| Next data register H <sup>*1</sup> | NDRH              | 8                 | H'FF4C  | PPG    | 8             | 2                |
| Next data register L <sup>*1</sup> | NDRL              | 8                 | H'FF4D  | PPG    | 8             | 2                |
| Next data register H <sup>*1</sup> | NDRH              | 8                 | H'FF4E  | PPG    | 8             | 2                |
| Next data register L <sup>*1</sup> | NDRL              | 8                 | H'FF4F  | PPG    | 8             | 2                |
| Port 1 register                    | PORT1             | 8                 | H'FF50  | PORT   | 8             | 2                |
| Port 2 register                    | PORT2             | 8                 | H'FF51  | PORT   | 8             | 2                |
| Port 3 register                    | PORT3             | 8                 | H'FF52  | PORT   | 8             | 2                |
| Port 4 register                    | PORT4             | 8                 | H'FF53  | PORT   | 8             | 2                |
| Port 5 register                    | PORT5             | 8                 | H'FF54  | PORT   | 8             | 2                |
| Port 6 register                    | PORT6             | 8                 | H'FF55  | PORT   | 8             | 2                |
| Port 8 register                    | PORT8             | 8                 | H'FF57  | PORT   | 8             | 2                |
| Port 9 register                    | PORT9             | 8                 | H'FF58  | PORT   | 8             | 2                |
| Port A register                    | PORTA             | 8                 | H'FF59  | PORT   | 8             | 2                |
| Port B register                    | PORTB             | 8                 | H'FF5A  | PORT   | 8             | 2                |
| Port C register                    | PORTC             | 8                 | H'FF5B  | PORT   | 8             | 2                |
| Port D register                    | PORTD             | 8                 | H'FF5C  | PORT   | 8             | 2                |
| Port E register                    | PORTE             | 8                 | H'FF5D  | PORT   | 8             | 2                |
| Port F register                    | PORTF             | 8                 | H'FF5E  | PORT   | 8             | 2                |
| Port G register                    | PORTG             | 8                 | H'FF5F  | PORT   | 8             | 2                |
| Port 1 data register               | P1DR              | 8                 | H'FF60  | PORT   | 8             | 2                |
| Port 2 data register               | P2DR              | 8                 | H'FF61  | PORT   | 8             | 2                |
| Port 3 data register               | P3DR              | 8                 | H'FF62  | PORT   | 8             | 2                |
| Port 5 data register               | P5DR              | 8                 | H'FF64  | PORT   | 8             | 2                |
| Port 6 data register               | P6DR              | 8                 | H'FF65  | PORT   | 8             | 2                |
| Port 8 data register               | P8DR              | 8                 | H'FF67  | PORT   | 8             | 2                |
| Port A data register               | PADR              | 8                 | H'FF69  | PORT   | 8             | 2                |
| Port B data register               | PBDR              | 8                 | H'FF6A  | PORT   | 8             | 2                |

| Register Name                  | Abbrevia-<br>tion | Number<br>of Bits | Address | Module | Data<br>Width | Access<br>States |
|--------------------------------|-------------------|-------------------|---------|--------|---------------|------------------|
| Port C data register           | PCDR              | 8                 | H'FF6B  | PORT   | 8             | 2                |
| Port D data register           | PDDR              | 8                 | H'FF6C  | PORT   | 8             | 2                |
| Port E data register           | PEDR              | 8                 | H'FF6D  | PORT   | 8             | 2                |
| Port F data register           | PFDR              | 8                 | H'FF6E  | PORT   | 8             | 2                |
| Port G data register           | PGDR              | 8                 | H'FF6F  | PORT   | 8             | 2                |
| Port H register                | PORTH             | 8                 | H'FF70  | PORT   | 8             | 2                |
| Port H data register           | PHDR              | 8                 | H'FF72  | PORT   | 8             | 2                |
| Port H data direction register | PHDDR             | 8                 | H'FF74  | PORT   | 8             | 2                |
| Serial mode register_0         | SMR_0             | 8                 | H'FF78  | SCI_0  | 8             | 2                |
| Bit rate register_0            | BRR_0             | 8                 | H'FF79  | SCI_0  | 8             | 2                |
| Serial control register_0      | SCR_0             | 8                 | H'FF7A  | SCI_0  | 8             | 2                |
| Transmit data register_0       | TDR_0             | 8                 | H'FF7B  | SCI_0  | 8             | 2                |
| Serial status register_0       | SSR_0             | 8                 | H'FF7C  | SCI_0  | 8             | 2                |
| Receive data register_0        | RDR_0             | 8                 | H'FF7D  | SCI_0  | 8             | 2                |
| Smart card mode register_0     | SCMR_0            | 8                 | H'FF7E  | SCI_0  | 8             | 2                |
| Serial mode register_1         | SMR_1             | 8                 | H'FF80  | SCI_1  | 8             | 2                |
| Bit rate register_1            | BRR_1             | 8                 | H'FF81  | SCI_1  | 8             | 2                |
| Serial control register_1      | SCR_1             | 8                 | H'FF82  | SCI_1  | 8             | 2                |
| Transmit data register_1       | TDR_1             | 8                 | H'FF83  | SCI_1  | 8             | 2                |
| Serial status register_1       | SSR_1             | 8                 | H'FF84  | SCI_1  | 8             | 2                |
| Receive data register_1        | RDR_1             | 8                 | H'FF85  | SCI_1  | 8             | 2                |
| Smart card mode register_1     | SCMR_1            | 8                 | H'FF86  | SCI_1  | 8             | 2                |
| Serial mode register_2         | SMR_2             | 8                 | H'FF88  | SCI_2  | 8             | 2                |
| Bit rate register_2            | BRR_2             | 8                 | H'FF89  | SCI_2  | 8             | 2                |
| Serial control register_2      | SCR_2             | 8                 | H'FF8A  | SCI_2  | 8             | 2                |
| Transmit data register_2       | TDR_2             | 8                 | H'FF8B  | SCI_2  | 8             | 2                |
| Serial status register_2       | SSR_2             | 8                 | H'FF8C  | SCI_2  | 8             | 2                |
| Receive data register_2        | RDR_2             | 8                 | H'FF8D  | SCI_2  | 8             | 2                |
| Smart card mode register_2     | SCMR_2            | 8                 | H'FF8E  | SCI_2  | 8             | 2                |
| A/D data register A            | ADDRA             | 16                | H'FF90  | A/D    | 16            | 2                |

| Register Name                         | Abbreviation | Number of Bits | Address | Module | Data Width | Access States |
|---------------------------------------|--------------|----------------|---------|--------|------------|---------------|
| A/D data register B                   | ADDRB        | 16             | H'FF92  | A/D    | 16         | 2             |
| A/D data register C                   | ADDRC        | 16             | H'FF94  | A/D    | 16         | 2             |
| A/D data register D                   | ADDRD        | 16             | H'FF96  | A/D    | 16         | 2             |
| A/D data register E                   | ADDRE        | 16             | H'FF98  | A/D    | 16         | 2             |
| A/D data register F                   | ADDRF        | 16             | H'FF9A  | A/D    | 16         | 2             |
| A/D data register G                   | ADDRG        | 16             | H'FF9C  | A/D    | 16         | 2             |
| A/D data register H                   | ADDRH        | 16             | H'FF9E  | A/D    | 16         | 2             |
| A/D control/status register           | ADCSR        | 8              | H'FFA0  | A/D    | 16         | 2             |
| A/D control register                  | ADCR         | 8              | H'FFA1  | A/D    | 16         | 2             |
| D/A data register 0 <sup>*3</sup>     | DADR0        | 8              | H'FFA4  | D/A    | 8          | 2             |
| D/A data register 1 <sup>*3</sup>     | DADR1        | 8              | H'FFA5  | D/A    | 8          | 2             |
| D/A control register 01 <sup>*3</sup> | DACR01       | 8              | H'FFA6  | D/A    | 8          | 2             |
| D/A data register 2                   | DADR2        | 8              | H'FFA8  | D/A    | 8          | 2             |
| D/A data register 3                   | DADR3        | 8              | H'FFA9  | D/A    | 8          | 2             |
| D/A control register 23               | DACR23       | 8              | H'FFAA  | D/A    | 8          | 2             |
| D/A data register 4 <sup>*3</sup>     | DADR4        | 8              | H'FFAC  | D/A    | 8          | 2             |
| D/A data register 5 <sup>*3</sup>     | DADR5        | 8              | H'FFAD  | D/A    | 8          | 2             |
| D/A control register 45 <sup>*3</sup> | DACR45       | 8              | H'FFAE  | D/A    | 8          | 2             |
| Timer control register 0              | TCR_0        | 8              | H'FFB0  | TMR_0  | 16         | 2             |
| Timer control register 1              | TCR_1        | 8              | H'FFB1  | TMR_1  | 16         | 2             |
| Timer control/status register 0       | TCSR_0       | 8              | H'FFB2  | TMR_0  | 16         | 2             |
| Timer control/status register 1       | TCSR_1       | 8              | H'FFB3  | TMR_1  | 16         | 2             |
| Time constant register A0             | TCORA_0      | 8              | H'FFB4  | TMR_0  | 16         | 2             |
| Time constant register A1             | TCORA_1      | 8              | H'FFB5  | TMR_1  | 16         | 2             |
| Time constant register B0             | TCORB_0      | 8              | H'FFB6  | TMR_0  | 16         | 2             |
| Time constant register B1             | TCORB_1      | 8              | H'FFB7  | TMR_1  | 16         | 2             |
| Timer counter 0                       | TCNT_0       | 8              | H'FFB8  | TMR_0  | 16         | 2             |
| Timer counter 1                       | TCNT_1       | 8              | H'FFB9  | TMR_1  | 16         | 2             |

| Register Name                               | Abbrevia-<br>tion   | Number<br>of Bits | Address   | Module | Data<br>Width | Access<br>States |
|---|---------------------|-------------------|---|--------|---------------|------------------|
| Timer control/status register               | TCSR                | 8                 | H'FFBC* <sup>2</sup><br>(Write)<br>H'FFBC<br>(Read) | WDT    | 16            | 2                |
| Timer counter                               | TCNT                | 8                 | H'FFBC* <sup>2</sup><br>(Write)<br>H'FFBD<br>(Read) | WDT    | 16            | 2                |
| Reset control/status register               | RSTCSR              | 8                 | H'FFBE* <sup>2</sup><br>(Write)<br>H'FFBF<br>(Read) | WDT    | 16            | 2                |
| Timer start register                        | TSTR                | 8                 | H'FFC0  | TPU    | 16            | 2                |
| Timer synchronous register                  | TSYR                | 8                 | H'FFC1  | TPU    | 16            | 2                |
| Flash code control status register          | FCCS* <sup>4</sup>  | 8                 | H'FFC4* <sup>5</sup>                                | FLASH  | 8             | 2                |
| Flash program code select register          | FPCS* <sup>4</sup>  | 8                 | H'FFC5* <sup>5</sup>                                | FLASH  | 8             | 2                |
| Flash erase code select register            | FECS* <sup>4</sup>  | 8                 | H'FFC6* <sup>5</sup>                                | FLASH  | 8             | 2                |
| Flash memory control register 1             | FLMCR1              | 8                 | H'FFC8  | FLASH  | 8             | 2                |
| Flash key code register                     | FKEY* <sup>4</sup>  | 8                 | H'FFC8  | FLASH  | 8             | 2                |
| Flash memory control register 2             | FLMCR2              | 8                 | H'FFC9  | FLASH  | 8             | 2                |
| Flash MAT select register                   | FMATS* <sup>4</sup> | 8                 | H'FFC9  | FLASH  | 8             | 2                |
| Flash transfer destination address register | FTDAR* <sup>4</sup> | 8                 | H'FFCA  | FLASH  | 8             | 2                |
| Erase block register 1                      | EBR1                | 8                 | H'FFCA  | FLASH  | 8             | 2                |
| Erase block register 2                      | EBR2                | 8                 | H'FFCB  | FLASH  | 8             | 2                |
| Flash vector address control register       | FVACR* <sup>4</sup> | 8                 | H'FFCB  | FLASH  | 8             | 2                |
| Timer control register_0                    | TCR_0               | 8                 | H'FFD0  | TPU_0  | 16            | 2                |
| Timer mode register_0                       | TMDR_0              | 8                 | H'FFD1  | TPU_0  | 16            | 2                |
| Timer interrupt enable register_0           | TIER_0              | 8                 | H'FFD4  | TPU_0  | 16            | 2                |
| Timer status register_0                     | TSR_0               | 8                 | H'FFD5  | TPU_0  | 16            | 2                |
| Timer counter_0                             | TCNT_0              | 16                | H'FFD6  | TPU_0  | 16            | 2                |
| Timer general register A_0                  | TGRA_0              | 16                | H'FFD8  | TPU_0  | 16            | 2                |

| Register Name                     | Abbreviation | Number of Bits | Address | Module | Data Width | Access States |
|-----------------------------------|--------------|----------------|---------|--------|------------|---------------|
| Timer general register B_0        | TGRB_0       | 16             | H'FFDA  | TPU_0  | 16         | 2             |
| Timer general register C_0        | TGRC_0       | 16             | H'FFDC  | TPU_0  | 16         | 2             |
| Timer general register D_0        | TGRD_0       | 16             | H'FFDE  | TPU_0  | 16         | 2             |
| Timer control register_1          | TCR_1        | 8              | H'FFE0  | TPU_1  | 16         | 2             |
| Timer mode register_1             | TMDR_1       | 8              | H'FFE1  | TPU_1  | 16         | 2             |
| Timer I/O control register_1      | TIOR_1       | 8              | H'FFE2  | TPU_1  | 16         | 2             |
| Timer interrupt enable register_1 | TIER_1       | 8              | H'FFE4  | TPU_1  | 16         | 2             |
| Timer status register_1           | TSR_1        | 8              | H'FFE5  | TPU_1  | 16         | 2             |
| Timer counter_1                   | TCNT_1       | 16             | H'FFE6  | TPU_1  | 16         | 2             |
| Timer general register A_1        | TGRA_1       | 16             | H'FFE8  | TPU_1  | 16         | 2             |
| Timer general register B_1        | TGRB_1       | 16             | H'FFEA  | TPU_1  | 16         | 2             |
| Timer control register_2          | TCR_2        | 8              | H'FFF0  | TPU_2  | 16         | 2             |
| Timer mode register_2             | TMDR_2       | 8              | H'FFF1  | TPU_2  | 16         | 2             |
| Timer I/O control register_2      | TIOR_2       | 8              | H'FFF2  | TPU_2  | 16         | 2             |
| Timer interrupt enable register_2 | TIER_2       | 8              | H'FFF4  | TPU_2  | 16         | 2             |
| Timer status register_2           | TSR_2        | 8              | H'FFF5  | TPU_2  | 16         | 2             |
| Timer counter_2                   | TCNT_2       | 16             | H'FFF6  | TPU_2  | 16         | 2             |
| Timer general register A_2        | TGRA_2       | 16             | H'FFF8  | TPU_2  | 16         | 2             |
| Timer general register B_2        | TGRB_2       | 16             | H'FFFA  | TPU_2  | 16         | 2             |

- Notes:
1. If the pulse output group 2 and pulse output group 3 output triggers are the same according to the PCR setting, the NDRH address will be H'FF4C, and if different, the address of NDRH for group 2 will be H'FF4E, and that for group 3 will be H'FF4C. Similarly, if the pulse output group 0 and pulse output group 1 output triggers are the same according to the PCR setting, the NDRL address will be H'FF4D, and if different, the address of NDRL for group 0 will be H'FF4F, and that for group 1 will be H'FF4D.
  2. For writing, refer to section 14.6.1, Notes on Register Access.
  3. Not supported by the H8S/2375, H8S/2375R, H8S/2373, and H8S/2373R.
  4. Supported only by the H8S/2378 0.18 $\mu$ m F-ZTAT Group and H8S/2378R 0.18 $\mu$ m F-ZTAT Group.
  5. These addresses should not be accessed in the H8S/2375, H8S/2375R, H8S/2373, H8S/2373R, H8S/2376, H8S/2377, and H8S/2377R.



## 25.2 Register Bits

Register addresses and bit names of the on-chip peripheral modules are described below.

Each line covers eight bits, and 16-bit and 32-bit registers are shown as 2 or 4 lines, respectively.

| Register Abbreviation | Bit 7  | Bit 6  | Bit 5  | Bit 4  | Bit 3  | Bit 2  | Bit 1  | Bit 0  | Module |
|-----------------------|--------|--------|--------|--------|--------|--------|--------|--------|--------|
| MRA                   | SM1    | SM0    | DM1    | DM0    | MD1    | MD0    | DTS    | Sz     | DTC*1  |
| SAR                   | —      | —      | —      | —      | —      | —      | —      | —      |        |
|                       | —      | —      | —      | —      | —      | —      | —      | —      |        |
|                       | —      | —      | —      | —      | —      | —      | —      | —      |        |
| MRB                   | CHNE   | DISEL  | CHNS   | —      | —      | —      | —      | —      |        |
| DAR                   | —      | —      | —      | —      | —      | —      | —      | —      |        |
|                       | —      | —      | —      | —      | —      | —      | —      | —      |        |
|                       | —      | —      | —      | —      | —      | —      | —      | —      |        |
| CRA                   | —      | —      | —      | —      | —      | —      | —      | —      |        |
|                       | —      | —      | —      | —      | —      | —      | —      | —      |        |
| CRB                   | —      | —      | —      | —      | —      | —      | —      | —      |        |
|                       | —      | —      | —      | —      | —      | —      | —      | —      |        |
| ICCRA_0               | ICE    | RCVD   | MST    | TRS    | CKS3   | CKS2   | CKS1   | CKS0   | IIC2_0 |
| ICCRB_0               | BBSY   | SCP    | SDAO   | —      | SCLO   | —      | IICRST | —      |        |
| ICMR_0                | —      | WAIT   | —      | —      | BCWP   | BC2    | BC1    | BC0    |        |
| ICIER_0               | TIE    | TEIE   | RIE    | NAKIE  | STIE   | ACKE   | ACKBR  | ACKBT  |        |
| ICSR_0                | TDRE   | TEND   | RDRF   | NACKF  | STOP   | AL     | AAS    | ADZ    |        |
| SAR_0                 | SVA6   | SVA5   | SVA4   | SVA3   | SVA2   | SVA1   | SVA0   | —      |        |
| ICDRT_0               | ICDRT7 | ICDRT6 | ICDRT5 | ICDRT4 | ICDRT3 | ICDRT2 | ICDRT1 | ICDRT0 |        |
| ICDRR_0               | ICDRR7 | ICDRR6 | ICDRR5 | ICDRR4 | ICDRR3 | ICDRR2 | ICDRR1 | ICDRR0 |        |
| ICCRA_1               | ICE    | RCVD   | MST    | TRS    | CKS3   | CKS2   | CKS1   | CKS0   | IIC2_1 |
| ICCRB_1               | BBSY   | SCP    | SDAO   | —      | SCLO   | —      | IICRST | —      |        |
| ICMR_1                | —      | WAIT   | —      | —      | BCWP   | BC2    | BC1    | BC0    |        |
| ICIER_1               | TIE    | TEIE   | RIE    | NAKIE  | STIE   | ACKE   | ACKBR  | ACKBT  |        |
| ICSR_1                | TDRE   | TEND   | RDRF   | NACKF  | STOP   | AL     | AAS    | ADZ    |        |
| SAR_1                 | SVA6   | SVA5   | SVA4   | SVA3   | SVA2   | SVA1   | SVA0   | —      |        |
| ICDRT_1               | ICDRT7 | ICDRT6 | ICDRT5 | ICDRT4 | ICDRT3 | ICDRT2 | ICDRT1 | ICDRT0 |        |
| ICDRR_1               | ICDRR7 | ICDRR6 | ICDRR5 | ICDRR4 | ICDRR3 | ICDRR2 | ICDRR1 | ICDRR0 |        |

| Register<br>Abbreviation | Bit 7 | Bit 6 | Bit 5  | Bit 4  | Bit 3  | Bit 2 | Bit 1 | Bit 0 | Module                                   |
|--------------------------|-------|-------|--------|--------|--------|-------|-------|-------|--|
| SEMR_2                   | —     | —     | —      | —      | ABCS   | ACS2  | ACS1  | ACS0  | SCI_2<br>Smart<br>card<br>interface<br>2 |
| EDSAR_2                  | —     | —     | —      | —      | —      | —     | —     | —     | EX<br>DMAC_2<br>*7                       |
| EDDAR_2                  | —     | —     | —      | —      | —      | —     | —     | —     |  |
| EDTCR_2                  | —     | —     | —      | —      | —      | —     | —     | —     |  |
| EDMDR_2                  | EDA   | BEF   | EDRAKE | ETENDE | EDREQS | AMS   | MDS1  | MDS0  |  |
|                          | EDIE  | IRF   | TCEIE  | SDIR   | DTSIZE | BGUP  | —     | —     |  |
| EDACR_2                  | SAT1  | SAT0  | SARIE  | SARA4  | SARA3  | SARA2 | SARA1 | SARA0 |  |
|                          | DAT1  | DAT0  | DARIE  | DARA4  | DARA3  | DARA2 | DARA1 | DARA0 |  |
| EDSAR_3                  | —     | —     | —      | —      | —      | —     | —     | —     | EX<br>DMAC_3<br>*7                       |
| EDDAR_3                  | —     | —     | —      | —      | —      | —     | —     | —     |  |
| EDTCR_3                  | —     | —     | —      | —      | —      | —     | —     | —     |  |

| Register Abbreviation | Bit 7    | Bit 6    | Bit 5    | Bit 4    | Bit 3    | Bit 2    | Bit 1    | Bit 0    | Module             |
|-----------------------|----------|----------|----------|----------|----------|----------|----------|----------|--------------------|
| EDMDR_3               | EDA      | BEF      | EDRAKE   | ETENDE   | EDREQS   | AMS      | MDS1     | MDS0     | EX<br>DMAC_3<br>*7 |
|                       | EDIE     | IRF      | TCEIE    | SDIR     | DTSIZE   | BGUP     | —        | —        |                    |
| EDACR_3               | SAT1     | SAT0     | SARIE    | SARA4    | SARA3    | SARA2    | SARA1    | SARA0    |                    |
|                       | DAT1     | DAT0     | DARIE    | DARA4    | DARA3    | DARA2    | DARA1    | DARA0    |                    |
| IPRA                  | —        | IPRA14   | IPRA13   | IPRA12   | —        | IPRA10   | IPRA9    | IPRA8    | INT                |
|                       | —        | IPRA6    | IPRA5    | IPRA4    | —        | IPRA2    | IPRA1    | IPRA0    |                    |
| IPRB                  | —        | IPRB14   | IPRB13   | IPRB12   | —        | IPRB10   | IPRB9    | IPRB8    |                    |
|                       | —        | IPRB6    | IPRB5    | IPRB4    | —        | IPRB2    | IPRB1    | IPRB0    |                    |
| IPRC                  | —        | IPRC14   | IPRC13   | IPRC12   | —        | IPRC10   | IPRC9    | IPRC8    |                    |
|                       | —        | IPRC6    | IPRC5    | IPRC4    | —        | IPRC2    | IPRC1    | IPRC0    |                    |
| IPRD                  | —        | IPRD14   | IPRD13   | IPRD12   | —        | IPRD10   | IPRD9    | IPRD8    |                    |
|                       | —        | IPRD6    | IPRD5    | IPRD4    | —        | IPRD2    | IPRD1    | IPRD0    |                    |
| IPRE                  | —        | IPRE14   | IPRE13   | IPRE12   | —        | IPRE10   | IPRE9    | IPRE8    |                    |
|                       | —        | IPRE6    | IPRE5    | IPRE4    | —        | IPRE2    | IPRE1    | IPRE0    |                    |
| IPRF                  | —        | IPRF14   | IPRF13   | IPRF12   | —        | IPRF10   | IPRF9    | IPRF8    |                    |
|                       | —        | IPRF6    | IPRF5    | IPRF4    | —        | IPRF2    | IPRF1    | IPRF0    |                    |
| IPRG                  | —        | IPRG14   | IPRG13   | IPRG12   | —        | IPRG10   | IPRG9    | IPRG8    |                    |
|                       | —        | IPRG6    | IPRG5    | IPRG4    | —        | IPRG2    | IPRG1    | IPRG0    |                    |
| IPRH                  | —        | IPRH14   | IPRH13   | IPRH12   | —        | IPRH10   | IPRH9    | IPRH8    |                    |
|                       | —        | IPRH6    | IPRH5    | IPRH4    | —        | IPRH2    | IPRH1    | IPRH0    |                    |
| IPRI                  | —        | IPRI14   | IPRI13   | IPRI12   | —        | IPRI10   | IPRI9    | IPRI8    |                    |
|                       | —        | IPRI6    | IPRI5    | IPRI4    | —        | IPRI2    | IPRI1    | IPRI0    |                    |
| IPRJ                  | —        | IPRJ14   | IPRJ13   | IPRJ12   | —        | IPRJ10   | IPRJ9    | IPRJ8    |                    |
|                       | —        | IPRJ6    | IPRJ5    | IPRJ4    | —        | IPRJ2    | IPRJ1    | IPRJ0    |                    |
| IPRK                  | —        | IPRK14   | IPRK13   | IPRK12   | —        | IPRK10   | IPRK9    | IPRK8    |                    |
|                       | —        | IPRK6    | IPRK5    | IPRK4    | —        | IPRK2    | IPRK1    | IPRK0    |                    |
| ITSR                  | ITS15    | ITS14    | ITS13    | ITS12    | ITS11    | ITS10    | ITS9     | ITS8     |                    |
|                       | ITS7     | ITS6     | ITS5     | ITS4     | ITS3     | ITS2     | ITS1     | ITS0     |                    |
| SSIER                 | SSI15    | SSI14    | SSI13    | SSI12    | SSI11    | SSI10    | SSI9     | SSI8     |                    |
|                       | SSI7     | SSI6     | SSI5     | SSI4     | SSI3     | SSI2     | SSI1     | SSI0     |                    |
| ISCRH                 | IRQ15SCB | IRQ15SCA | IRQ14SCB | IRQ14SCA | IRQ13SCB | IRQ13SCA | IRQ12SCB | IRQ12SCA |                    |
|                       | IRQ11SCB | IRQ11SCA | IRQ10SCB | IRQ10SCA | IRQ9SCB  | IRQ9SCA  | IRQ8SCB  | IRQ8SCA  |                    |

| Register<br>Abbreviation | Bit 7        | Bit 6   | Bit 5   | Bit 4        | Bit 3   | Bit 2   | Bit 1   | Bit 0   | Module                                   |
|--------------------------|--------------|---------|---------|--------------|---------|---------|---------|---------|--|
| ISCRL                    | IRQ7SCB      | IRQ7SCA | IRQ6SCB | IRQ6SCA      | IRQ5SCB | IRQ5SCA | IRQ4SCB | IRQ4SCA | INT                                      |
|                          | IRQ3SCB      | IRQ3SCA | IRQ2SCB | IRQ2SCA      | IRQ1SCB | IRQ1SCA | IRQ0SCB | IRQ0SCA |  |
| IrCR_0                   | IrE          | IrCKS2  | IrCKS1  | IrCKS0       | —       | —       | —       | —       | IrDA_0                                   |
| P1DDR                    | P17DDR       | P16DDR  | P15DDR  | P14DDR       | P13DDR  | P12DDR  | P11DDR  | P10DDR  | PORT                                     |
| P2DDR                    | P27DDR       | P26DDR  | P25DDR  | P24DDR       | P23DDR  | P22DDR  | P21DDR  | P20DDR  |  |
| P3DDR                    | —            | —       | P35DDR  | P34DDR       | P33DDR  | P32DDR  | P31DDR  | P30DDR  | PORT                                     |
| P5DDR                    | —            | —       | —       | —            | P53DDR  | P52DDR  | P51DDR  | P50DDR  |  |
| P6DDR                    | —            | —       | P65DDR  | P64DDR       | P63DDR  | P62DDR  | P61DDR  | P60DDR  | PORT                                     |
| P8DDR                    | —            | —       | P85DDR  | P84DDR       | P83DDR  | P82DDR  | P81DDR  | P80DDR  |  |
| PADDR                    | PA7DDR       | PA6DDR  | PA5DDR  | PA4DDR       | PA3DDR  | PA2DDR  | PA1DDR  | PA0DDR  | PORT                                     |
| PBDDR                    | PB7DDR       | PB6DDR  | PB5DDR  | PB4DDR       | PB3DDR  | PB2DDR  | PB1DDR  | PB0DDR  |  |
| PCDDR                    | PC7DDR       | PC6DDR  | PC5DDR  | PC4DDR       | PC3DDR  | PC2DDR  | PC1DDR  | PC0DDR  | PORT                                     |
| PDDDR                    | PD7DDR       | PD6DDR  | PD5DDR  | PD4DDR       | PD3DDR  | PD2DDR  | PD1DDR  | PD0DDR  |  |
| PEDDR                    | PE7DDR       | PE6DDR  | PE5DDR  | PE4DDR       | PE3DDR  | PE2DDR  | PE1DDR  | PE0DDR  | PORT                                     |
| PFDDR                    | PF7DDR       | PF6DDR  | PF5DDR  | PF4DDR       | PF3DDR  | PF2DDR  | PF1DDR  | PF0DDR  |  |
| PGDDR                    | —            | PG6DDR  | PG5DDR  | PG4DDR       | PG3DDR  | PG2DDR  | PG1DDR  | PG0DDR  | PORT                                     |
| PFCR0                    | CS7E         | CS6E    | CS5E    | CS4E         | CS3E    | CS2E    | CS1E    | CS0E    |  |
| PFCR1                    | A23E         | A22E    | A21E    | A20E         | A19E    | A18E    | A17E    | A16E    | PORT                                     |
| PFCR2                    | —            | —       | —       | —            | ASOE    | LWROE   | OES     | DMACS   |  |
| PAPCR                    | PA7PCR       | PA6PCR  | PA5PCR  | PA4PCR       | PA3PCR  | PA2PCR  | PA1PCR  | PA0PCR  | PORT                                     |
| PBPCR                    | PB7PCR       | PB6PCR  | PB5PCR  | PB4PCR       | PB3PCR  | PB2PCR  | PB1PCR  | PB0PCR  |  |
| PCPCR                    | PC7PCR       | PC6PCR  | PC5PCR  | PC4PCR       | PC3PCR  | PC2PCR  | PC1PCR  | PC0PCR  | PORT                                     |
| PDPCR                    | PD7PCR       | PD6PCR  | PD5PCR  | PD4PCR       | PD3PCR  | PD2PCR  | PD1PCR  | PD0PCR  |  |
| PEPCR                    | PE7PCR       | PE6PCR  | PE5PCR  | PE4PCR       | PE3PCR  | PE2PCR  | PE1PCR  | PE0PCR  | PORT                                     |
| P3ODR                    | —            | —       | P35ODR  | P34ODR       | P33ODR  | P32ODR  | P31ODR  | P30ODR  |  |
| PAODR                    | PA7ODR       | PA6ODR  | PA5ODR  | PA4ODR       | PA3ODR  | PA2ODR  | PA1ODR  | PA0ODR  | PORT                                     |
| SMR_3 <sup>*4</sup>      | C/ $\bar{A}$ | CHR     | PE      | O/ $\bar{E}$ | STOP    | MP      | CKS1    | CKS0    |  |
| SMR_3 <sup>*5</sup>      | GM           | BLK     | PE      | O/ $\bar{E}$ | BCP1    | BCP0    | CKS1    | CKS0    | SCI_3<br>Smart<br>card<br>interface<br>3 |
| BRR_3                    | Bit7         | Bit6    | Bit5    | Bit4         | Bit3    | Bit2    | Bit1    | Bit0    |  |
| SCR_3                    | TIE          | RIE     | TE      | RE           | MPIE    | TEIE    | CKE1    | CKE0    | PORT                                     |
| TDR_3                    | Bit7         | Bit6    | Bit5    | Bit4         | Bit3    | Bit2    | Bit1    | Bit0    |  |

| Register Abbreviation | Bit 7        | Bit 6 | Bit 5 | Bit 4        | Bit 3 | Bit 2 | Bit 1 | Bit 0 | Module                                   |
|-----------------------|--------------|-------|-------|--------------|-------|-------|-------|-------|--|
| SSR_3* <sup>4</sup>   | TDRE         | RDRF  | ORER  | FER          | PER   | TEND  | MPB   | MPBT  | SCI_3<br>Smart<br>card<br>interface<br>3 |
| SSR_3* <sup>5</sup>   | TDRE         | RDRF  | ORER  | ERS          | PER   | TEND  | MPB   | MPBT  |  |
| RDR_3                 | Bit7         | Bit6  | Bit5  | Bit4         | Bit3  | Bit2  | Bit1  | Bit0  |  |
| SCMR_3                | —            | —     | —     | —            | SDIR  | SINV  | —     | SMIF  |  |
| SMR_4* <sup>4</sup>   | C/ $\bar{A}$ | CHR   | PE    | O/ $\bar{E}$ | STOP  | MP    | CKS1  | CKS0  | SCI_4<br>Smart<br>card<br>interface<br>4 |
| SMR_4* <sup>5</sup>   | GM           | BLK   | PE    | O/ $\bar{E}$ | BCP1  | BCP0  | CKS1  | CKS0  |  |
| BRR_4                 | Bit7         | Bit6  | Bit5  | Bit4         | Bit3  | Bit2  | Bit1  | Bit0  |  |
| SCR_4                 | TIE          | RIE   | TE    | RE           | MPIE  | TEIE  | CKE1  | CKE0  |  |
| TDR_4                 | Bit7         | Bit6  | Bit5  | Bit4         | Bit3  | Bit2  | Bit1  | Bit0  |  |
| SSR_4* <sup>4</sup>   | TDRE         | RDRF  | ORER  | FER          | PER   | TEND  | MPB   | MPBT  |  |
| SSR_4* <sup>5</sup>   | TDRE         | RDRF  | ORER  | ERS          | PER   | TEND  | MPB   | MPBT  |  |
| RDR_4                 | Bit7         | Bit6  | Bit5  | Bit4         | Bit3  | Bit2  | Bit1  | Bit0  |  |
| SCMR_4                | —            | —     | —     | —            | SDIR  | SINV  | —     | SMIF  |  |
| TCR_3                 | CCLR2        | CCLR1 | CCLR0 | CKEG1        | CKEG0 | TPSC2 | TPSC1 | TPSC0 | TPU_3                                    |
| TMDR_3                | —            | —     | BFB   | BFA          | MD3   | MD2   | MD1   | MD0   |  |
| TIORH_3               | IOB3         | IOB2  | IOB1  | IOB0         | IOA3  | IOA2  | IOA1  | IOA0  |  |
| TIORL_3               | IOD3         | IOD2  | IOD1  | IOD0         | IOC3  | IOC2  | IOC1  | IOC0  |  |
| TIER_3                | TTGE         | —     | —     | TCIEV        | TGIED | TGIEC | TGIEB | TGIEA |  |
| TSR_3                 | —            | —     | —     | TCFV         | TGFD  | TGFC  | TGFB  | TGFA  |  |
| TCNT_3                | Bit15        | Bit14 | Bit13 | Bit12        | Bit11 | Bit10 | Bit9  | Bit8  |  |
|                       | Bit7         | Bit6  | Bit5  | Bit4         | Bit3  | Bit2  | Bit1  | Bit0  |  |
| TGRA_3                | Bit15        | Bit14 | Bit13 | Bit12        | Bit11 | Bit10 | Bit9  | Bit8  |  |
|                       | Bit7         | Bit6  | Bit5  | Bit4         | Bit3  | Bit2  | Bit1  | Bit0  |  |
| TGRB_3                | Bit15        | Bit14 | Bit13 | Bit12        | Bit11 | Bit10 | Bit9  | Bit8  |  |
|                       | Bit7         | Bit6  | Bit5  | Bit4         | Bit3  | Bit2  | Bit1  | Bit0  |  |
| TGRC_3                | Bit15        | Bit14 | Bit13 | Bit12        | Bit11 | Bit10 | Bit9  | Bit8  |  |
|                       | Bit7         | Bit6  | Bit5  | Bit4         | Bit3  | Bit2  | Bit1  | Bit0  |  |
| TGRD_3                | Bit15        | Bit14 | Bit13 | Bit12        | Bit11 | Bit10 | Bit9  | Bit8  |  |
|                       | Bit7         | Bit6  | Bit5  | Bit4         | Bit3  | Bit2  | Bit1  | Bit0  |  |

| Register<br>Abbreviation | Bit 7 | Bit 6  | Bit 5  | Bit 4  | Bit 3 | Bit 2 | Bit 1  | Bit 0  | Module |
|--------------------------|-------|--------|--------|--------|-------|-------|--------|--------|--------|
| TCR_4                    | —     | CCLR1  | CCLR0  | CKEG1  | CKEG0 | TPSC2 | TPSC1  | TPSC0  | TPU_4  |
| TMDR_4                   | —     | —      | —      | —      | MD3   | MD2   | MD1    | MD0    |        |
| TIOR_4                   | IOB3  | IOB2   | IOB1   | IOB0   | IOA3  | IOA2  | IOA1   | IOA0   |        |
| TIER_4                   | TTGE  | —      | TCIEU  | TCIEV  | —     | —     | TGIEB  | TGIEA  |        |
| TSR_4                    | TCFD  | —      | TCFU   | TCFV   | —     | —     | TGFB   | TGFA   |        |
| TCNT_4                   | Bit15 | Bit14  | Bit13  | Bit12  | Bit11 | Bit10 | Bit9   | Bit8   |        |
|                          | Bit7  | Bit6   | Bit5   | Bit4   | Bit3  | Bit2  | Bit1   | Bit0   |        |
| TGRA_4                   | Bit15 | Bit14  | Bit13  | Bit12  | Bit11 | Bit10 | Bit9   | Bit8   |        |
|                          | Bit7  | Bit6   | Bit5   | Bit4   | Bit3  | Bit2  | Bit1   | Bit0   |        |
| TGRB_4                   | Bit15 | Bit14  | Bit13  | Bit12  | Bit11 | Bit10 | Bit9   | Bit8   |        |
|                          | Bit7  | Bit6   | Bit5   | Bit4   | Bit3  | Bit2  | Bit1   | Bit0   |        |
| TCR_5                    | —     | CCLR1  | CCLR0  | CKEG1  | CKEG0 | TPSC2 | TPSC1  | TPSC0  | TPU_5  |
| TMDR_5                   | —     | —      | —      | —      | MD3   | MD2   | MD1    | MD0    |        |
| TIOR_5                   | IOB3  | IOB2   | IOB1   | IOB0   | IOA3  | IOA2  | IOA1   | IOA0   |        |
| TIER_5                   | TTGE  | —      | TCIEU  | TCIEV  | —     | —     | TGIEB  | TGIEA  |        |
| TSR_5                    | TCFD  | —      | TCFU   | TCFV   | —     | —     | TGFB   | TGFA   |        |
| TCNT_5                   | Bit15 | Bit14  | Bit13  | Bit12  | Bit11 | Bit10 | Bit9   | Bit8   |        |
|                          | Bit7  | Bit6   | Bit5   | Bit4   | Bit3  | Bit2  | Bit1   | Bit0   |        |
| TGRA_5                   | Bit15 | Bit14  | Bit13  | Bit12  | Bit11 | Bit10 | Bit9   | Bit8   |        |
|                          | Bit7  | Bit6   | Bit5   | Bit4   | Bit3  | Bit2  | Bit1   | Bit0   |        |
| TGRB_5                   | Bit15 | Bit14  | Bit13  | Bit12  | Bit11 | Bit10 | Bit9   | Bit8   |        |
|                          | Bit7  | Bit6   | Bit5   | Bit4   | Bit3  | Bit2  | Bit1   | Bit0   |        |
| ABWCR                    | ABW7  | ABW6   | ABW5   | ABW4   | ABW3  | ABW2  | ABW1   | ABW0   | BSC    |
| ASTCR                    | AST7  | AST6   | AST5   | AST4   | AST3  | AST2  | AST1   | AST0   |        |
| WTCRAH                   | —     | W72    | W71    | W70    | —     | W62   | W61    | W60    |        |
| WTCRAL                   | —     | W52    | W51    | W50    | —     | W42   | W41    | W40    |        |
| WTCRBH                   | —     | W32    | W31    | W30    | —     | W22   | W21    | W20    |        |
| WTCRBL                   | —     | W12    | W11    | W10    | —     | W02   | W01    | W00    |        |
| RDNCR                    | RDN7  | RDN6   | RDN5   | RDN4   | RDN3  | RDN2  | RDN1   | RDN0   |        |
| CSACRH                   | CSXH7 | CSXH6  | CSXH5  | CSXH4  | CSXH3 | CSXH2 | CSXH1  | CSXH0  |        |
| CSACRL                   | CSXT7 | CSXT6  | CSXT5  | CSXT4  | CSXT3 | CSXT2 | CSXT1  | CSXT0  |        |
| BROMCRH                  | BSRM0 | BSTS02 | BSTS01 | BSTS00 | —     | —     | BSWD01 | BSWD00 |        |
| BROMCRL                  | BSRM1 | BSTS12 | BSTS11 | BSTS10 | —     | —     | BSWD11 | BSWD10 |        |

| Register<br>Abbreviation | Bit 7 | Bit 6  | Bit 5 | Bit 4 | Bit 3 | Bit 2 | Bit 1 | Bit 0 | Module |
|--------------------------|-------|--------|-------|-------|-------|-------|-------|-------|--------|
| BCR                      | BRLE  | BREQ0E | —     | IDLC  | ICIS1 | ICIS0 | WDBE  | WAITE | BSC    |
|                          | —     | —      | —     | —     | —     | ICIS2 | —     | —     |        |
| DRAMCR                   | OEE   | RAST   | —     | CAST  | —     | RMTS2 | RMTS1 | RMTS0 |        |
|                          | BE    | RCDM   | DDS   | EDDS  | —     | MXC2  | MXC1  | MXC0  |        |
| DRACCRH                  | DRMI  | —      | TPC1  | TPC0  | SDWCD | —     | RCD1  | RCD0  |        |
| DRACCRL                  | —     | —      | —     | —     | CKSPE | —     | RDXC1 | RDXC0 |        |
| REFCR                    | CMF   | CMIE   | RCW1  | RCW0  | —     | RTCK2 | RTCK1 | RTCK0 |        |
|                          | RFSHE | CBRM   | RLW1  | RLW0  | SLFRF | TPCS2 | TPCS1 | TPCS0 |        |
| RTCNT                    | Bit7  | Bit6   | Bit5  | Bit4  | Bit3  | Bit2  | Bit1  | Bit0  |        |
| RTCOR                    | Bit7  | Bit6   | Bit5  | Bit4  | Bit3  | Bit2  | Bit1  | Bit0  |        |
| MAR_0AH                  | —     | —      | —     | —     | —     | —     | —     | —     | DMAC   |
|                          | Bit7  | Bit6   | Bit5  | Bit4  | Bit3  | Bit2  | Bit1  | Bit0  |        |
| MAR_0AL                  | Bit15 | Bit14  | Bit13 | Bit12 | Bit11 | Bit10 | Bit9  | Bit8  |        |
|                          | Bit7  | Bit6   | Bit5  | Bit4  | Bit3  | Bit2  | Bit1  | Bit0  |        |
| IOAR_0A                  | Bit15 | Bit14  | Bit13 | Bit12 | Bit11 | Bit10 | Bit9  | Bit8  |        |
|                          | Bit7  | Bit6   | Bit5  | Bit4  | Bit3  | Bit2  | Bit1  | Bit0  |        |
| ETCR_0A                  | Bit15 | Bit14  | Bit13 | Bit12 | Bit11 | Bit10 | Bit9  | Bit8  |        |
|                          | Bit7  | Bit6   | Bit5  | Bit4  | Bit3  | Bit2  | Bit1  | Bit0  |        |
| MAR_0BH                  | —     | —      | —     | —     | —     | —     | —     | —     |        |
|                          | Bit7  | Bit6   | Bit5  | Bit4  | Bit3  | Bit2  | Bit1  | Bit0  |        |
| MAR_0BL                  | Bit15 | Bit14  | Bit13 | Bit12 | Bit11 | Bit10 | Bit9  | Bit8  |        |
|                          | Bit7  | Bit6   | Bit5  | Bit4  | Bit3  | Bit2  | Bit1  | Bit0  |        |
| IOAR_0B                  | Bit15 | Bit14  | Bit13 | Bit12 | Bit11 | Bit10 | Bit9  | Bit8  |        |
|                          | Bit7  | Bit6   | Bit5  | Bit4  | Bit3  | Bit2  | Bit1  | Bit0  |        |
| ETCR_0B                  | Bit15 | Bit14  | Bit13 | Bit12 | Bit11 | Bit10 | Bit9  | Bit8  |        |
|                          | Bit7  | Bit6   | Bit5  | Bit4  | Bit3  | Bit2  | Bit1  | Bit0  |        |
| MAR_1AH                  | —     | —      | —     | —     | —     | —     | —     | —     |        |
|                          | Bit7  | Bit6   | Bit5  | Bit4  | Bit3  | Bit2  | Bit1  | Bit0  |        |
| MAR_1AL                  | Bit15 | Bit14  | Bit13 | Bit12 | Bit11 | Bit10 | Bit9  | Bit8  |        |
|                          | Bit7  | Bit6   | Bit5  | Bit4  | Bit3  | Bit2  | Bit1  | Bit0  |        |
| IOAR_1A                  | Bit15 | Bit14  | Bit13 | Bit12 | Bit11 | Bit10 | Bit9  | Bit8  |        |
|                          | Bit7  | Bit6   | Bit5  | Bit4  | Bit3  | Bit2  | Bit1  | Bit0  |        |

| Register<br>Abbreviation | Bit 7  | Bit 6  | Bit 5  | Bit 4  | Bit 3  | Bit 2  | Bit 1  | Bit 0  | Module |
|--------------------------|--------|--------|--------|--------|--------|--------|--------|--------|--------|
| ETCR_1A                  | Bit15  | Bit14  | Bit13  | Bit12  | Bit11  | Bit10  | Bit9   | Bit8   | DMAC   |
|                          | Bit7   | Bit6   | Bit5   | Bit4   | Bit3   | Bit2   | Bit1   | Bit0   |        |
| MAR_1BH                  | —      | —      | —      | —      | —      | —      | —      | —      |        |
|                          | Bit7   | Bit6   | Bit5   | Bit4   | Bit3   | Bit2   | Bit1   | Bit0   |        |
| MAR_1BL                  | Bit15  | Bit14  | Bit13  | Bit12  | Bit11  | Bit10  | Bit9   | Bit8   |        |
|                          | Bit7   | Bit6   | Bit5   | Bit4   | Bit3   | Bit2   | Bit1   | Bit0   |        |
| IOARV1B                  | Bit15  | Bit14  | Bit13  | Bit12  | Bit11  | Bit10  | Bit9   | Bit8   |        |
|                          | Bit7   | Bit6   | Bit5   | Bit4   | Bit3   | Bit2   | Bit1   | Bit0   |        |
| ETCR_1B                  | Bit15  | Bit14  | Bit13  | Bit12  | Bit11  | Bit10  | Bit9   | Bit8   |        |
|                          | Bit7   | Bit6   | Bit5   | Bit4   | Bit3   | Bit2   | Bit1   | Bit0   |        |
| DMAWER                   | —      | —      | —      | —      | WE1B   | WE1A   | WE0B   | WE0A   |        |
| DMATCR                   | —      | —      | TEE1   | TEE0   | —      | —      | —      | —      |        |
| DMACR_0A* <sup>2</sup>   | DTSZ   | DTID   | RPE    | DTDIR  | DTF3   | DTF2   | DTF1   | DTF0   |        |
| DMACR_0A* <sup>3</sup>   | DTSZ   | SAID   | SAIDE  | BLKDIR | BLKE   | —      | —      | —      |        |
| DMACR_0B* <sup>2</sup>   | DTSZ   | DTID   | RPE    | DTDIR  | DTF3   | DTF2   | DTF1   | DTF0   |        |
| DMACR_0B* <sup>3</sup>   | —      | DAID   | DAIDE  | —      | DTF3   | DTF2   | DTF1   | DTF0   |        |
| DMACR_1A* <sup>2</sup>   | DTSZ   | DTID   | RPE    | DTDIR  | DTF3   | DTF2   | DTF1   | DTF0   |        |
| DMACR_1A* <sup>3</sup>   | DTSZ   | SAID   | SAIDE  | BLKDIR | BLKE   | —      | —      | —      |        |
| DMACR_1B* <sup>2</sup>   | DTSZ   | DTID   | RPE    | DTDIR  | DTF3   | DTF2   | DTF1   | DTF0   |        |
| DMACR_1B* <sup>3</sup>   | —      | DAID   | DAIDE  | —      | DTF3   | DTF2   | DTF1   | DTF0   |        |
| DMABCRH* <sup>2</sup>    | FAE1   | FAE0   | SAE1   | SAE0   | DTA1B  | DTA1A  | DTA0B  | DTA0A  |        |
| DMABCRH* <sup>3</sup>    | FAE1   | FAE0   | —      | —      | DTA1   | —      | DTA0   | —      |        |
| DMABCRL* <sup>2</sup>    | DTE1B  | DTE1A  | DTE0B  | DTE0A  | DTIE1B | DTIE1A | DTIE0B | DTIE0A |        |
| DMABCRL* <sup>3</sup>    | DTME1  | DTE1   | DTME0  | DTE0   | DTIE1B | DTIE1A | DTIE0B | DTIE0A |        |
| DTCERA                   | DTCEA7 | DTCEA6 | DTCEA5 | DTCEA4 | DTCEA3 | DTCEA2 | DTCEA1 | DTCEA0 | DTC    |
| DTCERB                   | DTCEB7 | DTCEB6 | DTCEB5 | DTCEB4 | DTCEB3 | DTCEB2 | DTCEB1 | DTCEB0 |        |
| DTCERC                   | —      | DTCEC6 | DTCEC5 | DTCEC4 | DTCEC3 | DTCEC2 | DTCEC1 | DTCEC0 |        |
| DTCERD                   | DTCED7 | DTCED6 | DTCED5 | DTCED4 | DTCED3 | DTCED2 | DTCED1 | DTCED0 |        |
| DTCERE                   | DTCEE7 | DTCEE6 | DTCEE5 | DTCEE4 | DTCEE3 | DTCEE2 | DTCEE1 | DTCEE0 |        |
| DTCERF                   | DTCEF7 | DTCEF6 | DTCEF5 | DTCEF4 | DTCEF3 | DTCEF2 | DTCEF1 | DTCEF0 |        |
| DTCERG                   | DTCEG7 | DTCEG6 | DTCEG5 | DTCEG4 | DTCEG3 | DTCEG2 | —      | —      |        |
| DTCERH                   | —      | —      | —      | —      | —      | —      | —      | —      |        |
| DTVECR                   | SWDTE  | DTVEC6 | DTVEC5 | DTVEC4 | DTVEC3 | DTVEC2 | DTVEC1 | DTVEC0 |        |



| Register<br>Abbreviation | Bit 7  | Bit 6  | Bit 5  | Bit 4  | Bit 3  | Bit 2  | Bit 1  | Bit 0  | Module |
|--------------------------|--------|--------|--------|--------|--------|--------|--------|--------|--------|
| INTCR                    | —      | —      | INTM1  | INTM0  | NMIEG  | —      | —      | —      | INT    |
| IER                      | IRQ15E | IRQ14E | IRQ13E | IRQ12E | IRQ11E | IRQ10E | IRQ9E  | IRQ8E  |        |
|                          | IRQ7E  | IRQ6E  | IRQ5E  | IRQ4E  | IRQ3E  | IRQ2E  | IRQ1E  | IRQ0E  |        |
| ISR                      | IRQ15F | IRQ14F | IRQ13F | IRQ12F | IRQ11F | IRQ10F | IRQ9F  | IRQ8F  |        |
|                          | IRQ7F  | IRQ6F  | IRQ5F  | IRQ4F  | IRQ3F  | IRQ2F  | IRQ1F  | IRQ0F  |        |
| SBYCR                    | SSBY   | OPE    | —      | —      | STS3   | STS2   | STS1   | STS0   | SYSTEM |
| SCKCR                    | PSTOP  | —      | —      | —      | STCS   | SCK2   | SCK1   | SCK0   |        |
| SYSCR                    | —      | —      | —      | —      | FLSHE  | —      | EXPE   | RAME   |        |
| MDCR                     | —      | —      | —      | —      | —      | MDS2   | MDS1   | MDS0   |        |
| MSTPCRH                  | ACSE   | MSTP14 | MSTP13 | MSTP12 | MSTP11 | MSTP10 | MSTP9  | MSTP8  |        |
| MSTPCRL                  | MSTP7  | MSTP6  | MSTP5  | MSTP4  | MSTP3  | MSTP2  | MSTP1  | MSTP0  |        |
| EXMSTPCRH                | —      | —      | —      | —      | MSTP27 | MSTP26 | MSTP25 | MSTP24 |        |
| EXMSTPCRL                | MSTP23 | MSTP22 | MSTP21 | MSTP20 | MSTP19 | MSTP18 | MSTP17 | MSTP16 |        |
| PLLCR                    | —      | —      | —      | —      | —      | —      | STC1   | STC0   |        |
| PCR                      | G3CMS1 | G3CMS0 | G2CMS1 | G2CMS0 | G1CMS1 | G1CMS0 | G0CMS1 | G0CMS0 | PPG    |
| PMR                      | G3INV  | G2INV  | G1INV  | G0INV  | G3NOV  | G2NOV  | G1NOV  | G0NOV  |        |
| NDERH                    | NDER15 | NDER14 | NDER13 | NDER12 | NDER11 | NDER10 | NDER9  | NDER8  |        |
| NDERL                    | NDER7  | NDER6  | NDER5  | NDER4  | NDER3  | NDER2  | NDER1  | NDER0  |        |
| PODRH                    | POD15  | POD14  | POD13  | POD12  | POD11  | POD10  | POD9   | POD8   |        |
| PODRL                    | POD7   | POD6   | POD5   | POD4   | POD3   | POD2   | POD1   | POD0   |        |
| NDRH <sup>*6</sup>       | NDR15  | NDR14  | NDR13  | NDR12  | NDR11  | NDR10  | NDR9   | NDR8   |        |
| NDRL <sup>*6</sup>       | NDR7   | NDR6   | NDR5   | NDR4   | NDR3   | NDR2   | NDR1   | NDR0   |        |
| NDRH <sup>*6</sup>       | —      | —      | —      | —      | NDR11  | NDR10  | NDR9   | NDR8   |        |
| NDRL <sup>*6</sup>       | —      | —      | —      | —      | NDR3   | NDR2   | NDR1   | NDR0   |        |
| PORT1                    | P17    | P16    | P15    | P14    | P13    | P12    | P11    | P10    | PORT   |
| PORT2                    | P27    | P26    | P25    | P24    | P23    | P22    | P21    | P20    |        |
| PORT3                    | —      | —      | P35    | P34    | P33    | P32    | P31    | P30    |        |
| PORT4                    | P47    | P46    | P45    | P44    | P43    | P42    | P41    | P40    |        |
| PORT5                    | —      | —      | —      | —      | P53    | P52    | P51    | P50    |        |
| PORT6                    | —      | —      | P65    | P64    | P63    | P62    | P61    | P60    |        |
| PORT8                    | —      | —      | P85    | P84    | P83    | P82    | P81    | P80    |        |
| PORT9                    | P97    | P96    | P95    | P94    | P93    | P92    | P91    | P90    |        |

| Register<br>Abbreviation | Bit 7 | Bit 6 | Bit 5 | Bit 4 | Bit 3  | Bit 2  | Bit 1  | Bit 0  | Module                                    |
|--------------------------|-------|-------|-------|-------|--------|--------|--------|--------|---|
| PORTA                    | PA7   | PA6   | PA5   | PA4   | PA3    | PA2    | PA1    | PA0    | PORT                                      |
| PORTB                    | PB7   | PB6   | PB5   | PB4   | PB3    | PB2    | PB1    | PB0    |   |
| PORTC                    | PC7   | PC6   | PC5   | PC4   | PC3    | PC2    | PC1    | PC0    |   |
| PORTD                    | PD7   | PD6   | PD5   | PD4   | PD3    | PD2    | PD1    | PD0    |   |
| PORTE                    | PE7   | PE6   | PE5   | PE4   | PE3    | PE2    | PE1    | PE0    |   |
| PORTF                    | PF7   | PF6   | PF5   | PF4   | PF3    | PF2    | PF1    | PF0    |   |
| PORTG                    | —     | PG6   | PG5   | PG4   | PG3    | PG2    | PG1    | PG0    |   |
| P1DR                     | P17DR | P16DR | P15DR | P14DR | P13DR  | P12DR  | P11DR  | P10DR  |   |
| P2DR                     | P27DR | P26DR | P25DR | P24DR | P23DR  | P22DR  | P21DR  | P20DR  |   |
| P3DR                     | —     | —     | P35DR | P34DR | P33DR  | P32DR  | P31DR  | P30DR  |   |
| P5DR                     | —     | —     | —     | —     | P53DR  | P52DR  | P51DR  | P50DR  |   |
| P6DR                     | —     | —     | P65DR | P64DR | P63DR  | P62DR  | P61DR  | P60DR  |   |
| P8DR                     | —     | —     | P85DR | P84DR | P83DR  | P82DR  | P81DR  | P80DR  |   |
| PADR                     | PA7DR | PA6DR | PA5DR | PA4DR | PA3DR  | PA2DR  | PA1DR  | PA0DR  |   |
| PBDR                     | PB7DR | PB6DR | PB5DR | PB4DR | PB3DR  | PB2DR  | PB1DR  | PB0DR  |   |
| PCDR                     | PC7DR | PC6DR | PC5DR | PC4DR | PC3DR  | PC2DR  | PC1DR  | PC0DR  |   |
| PDDR                     | PD7DR | PD6DR | PD5DR | PD4DR | PD3DR  | PD2DR  | PD1DR  | PD0DR  |   |
| PEDR                     | PE7DR | PE6DR | PE5DR | PE4DR | PE3DR  | PE2DR  | PE1DR  | PE0DR  |   |
| PFDR                     | PF7DR | PF6DR | PF5DR | PF4DR | PF3DR  | PF2DR  | PF1DR  | PF0DR  |   |
| PGDR                     | —     | PG6DR | PG5DR | PG4DR | PG3DR  | PG2DR  | PG1DR  | PG0DR  |   |
| PORTH                    | —     | —     | —     | —     | PH3    | PH2    | PH1    | PH0    |   |
| PHDR                     | —     | —     | —     | —     | PH3DR  | PH2DR  | PH1DR  | PH0DR  |   |
| PHDDR                    | —     | —     | —     | —     | PH3DDR | PH2DDR | PH1DDR | PH0DDR |   |
| SMR_0*4                  | C/A   | CHR   | PE    | O/E   | STOP   | MP     | CKS1   | CKS0   | SCI_0,<br>Smart<br>card<br>interface<br>0 |
| SMR_0*5                  | GM    | BLK   | PE    | O/E   | BCP1   | BCP0   | CKS1   | CKS0   |   |
| BRR_0                    | Bit7  | Bit6  | Bit5  | Bit4  | Bit3   | Bit2   | Bit1   | Bit0   |   |
| SCR_0                    | TIE   | RIE   | TE    | RE    | MPIE   | TEIE   | CKE1   | CKE0   |   |
| TDR_0                    | Bit7  | Bit6  | Bit5  | Bit4  | Bit3   | Bit2   | Bit1   | Bit0   |   |
| SSR_0*4                  | TDRE  | RDRF  | ORER  | FER   | PER    | TEND   | MPB    | MPBT   |   |
| SSR_0*5                  | TDRE  | RDRF  | ORER  | ERS   | PER    | TEND   | MPB    | MPBT   |   |
| RDR_0                    | Bit7  | Bit6  | Bit5  | Bit4  | Bit3   | Bit2   | Bit1   | Bit0   |   |
| SCMR_0                   | —     | —     | —     | —     | SDIR   | SINV   | —      | SMIF   |   |

| Register Abbreviation | Bit 7        | Bit 6 | Bit 5 | Bit 4        | Bit 3 | Bit 2 | Bit 1 | Bit 0 | Module                                    |
|-----------------------|--------------|-------|-------|--------------|-------|-------|-------|-------|---|
| SMR_1* <sup>4</sup>   | C/ $\bar{A}$ | CHR   | PE    | O/ $\bar{E}$ | STOP  | MP    | CKS1  | CKS0  | SCI_1,<br>Smart<br>card<br>interface<br>1 |
| SMR_1* <sup>5</sup>   | GM           | BLK   | PE    | O/ $\bar{E}$ | BCP1  | BCP0  | OKS1  | OKS0  |   |
| BRR_1                 | Bit7         | Bit6  | Bit5  | Bit4         | Bit3  | Bit2  | Bit1  | Bit0  |   |
| SCR_1                 | TIE          | RIE   | TE    | RE           | MPIE  | TEIE  | CKE1  | CKE0  |   |
| TDR_1                 | Bit7         | Bit6  | Bit5  | Bit4         | Bit3  | Bit2  | Bit1  | Bit0  |   |
| SSR_1* <sup>4</sup>   | TDRE         | RDRF  | ORER  | FER          | PER   | TEND  | MPB   | MPBT  |   |
| SSR_1* <sup>5</sup>   | TDRE         | RDRF  | ORER  | ERS          | PER   | TEND  | MPB   | MPBT  |   |
| RDR_1                 | Bit7         | Bit6  | Bit5  | Bit4         | Bit3  | Bit2  | Bit1  | Bit0  |   |
| SCMR_1                | —            | —     | —     | —            | SDIR  | SINV  | —     | SMIF  |   |
| SMR_2* <sup>4</sup>   | C/ $\bar{A}$ | CHR   | PE    | O/ $\bar{E}$ | STOP  | MP    | CKS1  | CKS0  | SCI_2,<br>Smart<br>card<br>interface<br>2 |
| SMR_2* <sup>5</sup>   | GM           | BLK   | PE    | O/ $\bar{E}$ | BCP1  | BCP0  | CKS1  | CKS0  |   |
| BRR_2                 | Bit7         | Bit6  | Bit5  | Bit4         | Bit3  | Bit2  | Bit1  | Bit0  |   |
| SCR_2                 | TIE          | RIE   | TE    | RE           | MPIE  | TEIE  | CKE1  | CKE0  |   |
| TDR_2                 | Bit7         | Bit6  | Bit5  | Bit4         | Bit3  | Bit2  | Bit1  | Bit0  |   |
| SSR_2* <sup>4</sup>   | TDRE         | RDRF  | ORER  | FER          | PER   | TEND  | MPB   | MPBT  |   |
| SSR_2* <sup>5</sup>   | TDRE         | RDRF  | ORER  | ERS          | PER   | TEND  | MPB   | MPBT  |   |
| RDR_2                 | Bit7         | Bit6  | Bit5  | Bit4         | Bit3  | Bit2  | Bit1  | Bit0  |   |
| SCMR_2                | —            | —     | —     | —            | SDIR  | SINV  | —     | SMIF  |   |
| ADDRA                 | AD9          | AD8   | AD7   | AD6          | AD5   | AD4   | AD3   | AD2   | A/D                                       |
|                       | AD1          | AD0   | —     | —            | —     | —     | —     | —     |   |
| ADDRB                 | AD9          | AD8   | AD7   | AD6          | AD5   | AD4   | AD3   | AD2   |   |
|                       | AD1          | AD0   | —     | —            | —     | —     | —     | —     |   |
| ADDRC                 | AD9          | AD8   | AD7   | AD6          | AD5   | AD4   | AD3   | AD2   |   |
|                       | AD1          | AD0   | —     | —            | —     | —     | —     | —     |   |
| ADDRD                 | AD9          | AD8   | AD7   | AD6          | AD5   | AD4   | AD3   | AD2   |   |
|                       | AD1          | AD0   | —     | —            | —     | —     | —     | —     |   |
| ADDRE                 | AD9          | AD8   | AD7   | AD6          | AD5   | AD4   | AD3   | AD2   |   |
|                       | AD1          | AD0   | —     | —            | —     | —     | —     | —     |   |
| ADDRF                 | AD9          | AD8   | AD7   | AD6          | AD5   | AD4   | AD3   | AD2   |   |
|                       | AD1          | AD0   | —     | —            | —     | —     | —     | —     |   |
| ADDRG                 | AD9          | AD8   | AD7   | AD6          | AD5   | AD4   | AD3   | AD2   |   |
|                       | AD1          | AD0   | —     | —            | —     | —     | —     | —     |   |
| ADDRH                 | AD9          | AD8   | AD7   | AD6          | AD5   | AD4   | AD3   | AD2   |   |
|                       | AD1          | AD0   | —     | —            | —     | —     | —     | —     |   |

| Register<br>Abbreviation | Bit 7 | Bit 6 | Bit 5 | Bit 4 | Bit 3 | Bit 2 | Bit 1 | Bit 0 | Module |
|--------------------------|-------|-------|-------|-------|-------|-------|-------|-------|--------|
| ADCSR                    | ADF   | ADIE  | ADST  | —     | CH3   | CH2   | CH1   | CH0   | A/D    |
| ADCR                     | TRGS1 | TRGS0 | SCANE | SCANS | CKS1  | CKS0  | —     | —     |        |
| DADR0* <sup>7</sup>      | Bit7  | Bit6  | Bit5  | Bit4  | Bit3  | Bit2  | Bit1  | Bit0  | D/A    |
| DADR1* <sup>7</sup>      | Bit7  | Bit6  | Bit5  | Bit4  | Bit3  | Bit2  | Bit1  | Bit0  |        |
| DACR01* <sup>7</sup>     | DAOE1 | DAOE0 | DAE   | —     | —     | —     | —     | —     |        |
| DADR2                    | Bit7  | Bit6  | Bit5  | Bit4  | Bit3  | Bit2  | Bit1  | Bit0  |        |
| DADR3                    | Bit7  | Bit6  | Bit5  | Bit4  | Bit3  | Bit2  | Bit1  | Bit0  |        |
| DACR23                   | DAOE3 | DAOE2 | DAE   | —     | —     | —     | —     | —     |        |
| DADR4* <sup>7</sup>      | Bit7  | Bit6  | Bit5  | Bit4  | Bit3  | Bit2  | Bit1  | Bit0  |        |
| DADR5* <sup>7</sup>      | Bit7  | Bit6  | Bit5  | Bit4  | Bit3  | Bit2  | Bit1  | Bit0  |        |
| DACR45* <sup>7</sup>     | DAOE5 | DAOE4 | DAE   | —     | —     | —     | —     | —     |        |
| TCR_0                    | CMIEB | CMIEA | OVIE  | CCLR1 | CCLR0 | CKS2  | CKS1  | CKS0  | TMR_0  |
| TCR_1                    | CMIEB | CMIEA | OVIE  | CCLR1 | CCLR0 | CKS2  | CKS1  | CKS0  | TMR_1  |
| TCSR_0                   | CMFB  | CMFA  | OVF   | ADTE  | OS3   | OS2   | OS1   | OS0   |        |
| TCSR_1                   | CMFB  | CMFA  | OVF   | —     | OS3   | OS2   | OS1   | OS0   |        |
| TCORA_0                  | Bit7  | Bit6  | Bit5  | Bit4  | Bit3  | Bit2  | Bit1  | Bit0  |        |
| TCORA_1                  | Bit7  | Bit6  | Bit5  | Bit4  | Bit3  | Bit2  | Bit1  | Bit0  |        |
| TCORB_0                  | Bit7  | Bit6  | Bit5  | Bit4  | Bit3  | Bit2  | Bit1  | Bit0  |        |
| TCORB_1                  | Bit7  | Bit6  | Bit5  | Bit4  | Bit3  | Bit2  | Bit1  | Bit0  |        |
| TCNT_0                   | Bit7  | Bit6  | Bit5  | Bit4  | Bit3  | Bit2  | Bit1  | Bit0  |        |
| TCNT_1                   | Bit7  | Bit6  | Bit5  | Bit4  | Bit3  | Bit2  | Bit1  | Bit0  |        |
| TCSR                     | OVF   | WT/IT | TME   | —     | —     | CKS2  | CKS1  | CKS0  | WDT    |
| TCNT                     | Bit7  | Bit6  | Bit5  | Bit4  | Bit3  | Bit2  | Bit1  | Bit0  |        |
| RSTCSR                   | WOVF  | RSTE  | —     | —     | —     | —     | —     | —     |        |
| TSTR                     | —     | —     | CST5  | CST4  | CST3  | CST2  | CST1  | CST0  | TPU    |
| TSYR                     | —     | —     | SYNC5 | SYNC4 | SYNC3 | SYNC2 | SYNC1 | SYNC0 |        |
| FCCS* <sup>8</sup>       | —     | —     | —     | FLER  | —     | —     | —     | SCO   | FLASH  |
| FPCS* <sup>8</sup>       | —     | —     | —     | PPVD  | —     | —     | —     | PPVS  |        |
| FECS* <sup>8</sup>       | —     | —     | —     | —     | —     | —     | —     | EPVB  |        |
| FLMCR1                   | —     | SWE   | ESU   | PSU   | EV    | PV    | E     | P     |        |
| FKEY* <sup>8</sup>       | K7    | K6    | K5    | K4    | K3    | K2    | K1    | K0    |        |
| FLMCR2                   | FLER  | —     | —     | —     | —     | —     | —     | —     |        |

| Register<br>Abbreviation | Bit 7  | Bit 6 | Bit 5 | Bit 4 | Bit 3  | Bit 2  | Bit 1  | Bit 0  | Module |
|--------------------------|--------|-------|-------|-------|--------|--------|--------|--------|--------|
| FMATS <sup>*8</sup>      | MS7    | MS6   | MS5   | MS4   | MS3    | MS2    | MS1    | MS0    | FLASH  |
| FTDAR <sup>*8</sup>      | TDER   | TDA6  | TDA5  | TDA4  | TDA3   | TDA2   | TDA1   | TDA0   |        |
| EBR1                     | EB7    | EB6   | EB5   | EB4   | EB3    | EB2    | EB1    | EB0    |        |
| EBR2                     | —      | —     | EB13  | EB12  | EB11   | EB10   | EB9    | EB8    |        |
| FVACR <sup>*8</sup>      | FVCHGE | —     | —     | —     | FVSEL3 | FVSEL2 | FVSEL1 | FVSEL0 |        |
| FVADRR <sup>*8</sup>     | FVA31  | FVA30 | FVA29 | FVA28 | FVA27  | FVA26  | FVA25  | FVA24  |        |
| FVADRE <sup>*8</sup>     | FVA23  | FVA22 | FVA21 | FVA20 | FVA19  | FVA18  | FVA17  | FVA16  |        |
| FVADRH <sup>*8</sup>     | FVA15  | FVA14 | FVA13 | FVA12 | FVA11  | FVA10  | FVA9   | FVA8   |        |
| FVADRL <sup>*8</sup>     | FVA7   | FVA6  | FVA5  | FVA4  | FVA3   | FVA2   | FVA1   | FVA0   |        |
| TCR_0                    | CCLR2  | CCLR1 | CCLR0 | CKEG1 | CKEG0  | TPSC2  | TPSC1  | TPSC0  | TPU_0  |
| TMDR_0                   | —      | —     | BFB   | BFA   | MD3    | MD2    | MD1    | MD0    |        |
| TIORH_0                  | IOB3   | IOB2  | IOB1  | IOB0  | IOA3   | IOA2   | IOA1   | IOA0   |        |
| TIORL_0                  | IOD3   | IOD2  | IOD1  | IOD0  | IOC3   | IOC2   | IOC1   | IOC0   |        |
| TIER_0                   | TTGE   | —     | —     | TCIEV | TGIED  | TGIEC  | TGIEB  | TGIEA  |        |
| TSR_0                    | —      | —     | —     | TCFV  | TGFD   | TGFC   | TGFB   | TGFA   |        |
| TCNT_0                   | Bit15  | Bit14 | Bit13 | Bit12 | Bit11  | Bit10  | Bit9   | Bit8   |        |
|                          | Bit7   | Bit6  | Bit5  | Bit4  | Bit3   | Bit2   | Bit1   | Bit0   |        |
| TGRA_0                   | Bit15  | Bit14 | Bit13 | Bit12 | Bit11  | Bit10  | Bit9   | Bit8   |        |
|                          | Bit7   | Bit6  | Bit5  | Bit4  | Bit3   | Bit2   | Bit1   | Bit0   |        |
| TGRB_0                   | Bit15  | Bit14 | Bit13 | Bit12 | Bit11  | Bit10  | Bit9   | Bit8   |        |
|                          | Bit7   | Bit6  | Bit5  | Bit4  | Bit3   | Bit2   | Bit1   | Bit0   |        |
| TGRC_0                   | Bit15  | Bit14 | Bit13 | Bit12 | Bit11  | Bit10  | Bit9   | Bit8   |        |
|                          | Bit7   | Bit6  | Bit5  | Bit4  | Bit3   | Bit2   | Bit1   | Bit0   |        |
| TGRD_0                   | Bit15  | Bit14 | Bit13 | Bit12 | Bit11  | Bit10  | Bit9   | Bit8   |        |
|                          | Bit7   | Bit6  | Bit5  | Bit4  | Bit3   | Bit2   | Bit1   | Bit0   |        |
| TCR_1                    | —      | CCLR1 | CCLR0 | CKEG1 | CKEG0  | TPSC2  | TPSC1  | TPSC0  | TPU_1  |
| TMDR_1                   | —      | —     | —     | —     | MD3    | MD2    | MD1    | MD0    |        |
| TIOR_1                   | IOB3   | IOB2  | IOB1  | IOB0  | IOA3   | IOA2   | IOA1   | IOA0   |        |
| TIER_1                   | TTGE   | —     | TCIEU | TCIEV | —      | —      | TGIEB  | TGIEA  |        |
| TSR_1                    | TCFD   | —     | TCFU  | TCFV  | —      | —      | TGFB   | TGFA   |        |
| TCNT_1                   | Bit15  | Bit14 | Bit13 | Bit12 | Bit11  | Bit10  | Bit9   | Bit8   |        |
|                          | Bit7   | Bit6  | Bit5  | Bit4  | Bit3   | Bit2   | Bit1   | Bit0   |        |

| Register Abbreviation | Bit 7 | Bit 6 | Bit 5 | Bit 4 | Bit 3 | Bit 2 | Bit 1 | Bit 0 | Module |
|-----------------------|-------|-------|-------|-------|-------|-------|-------|-------|--------|
| TGRA_1                | Bit15 | Bit14 | Bit13 | Bit12 | Bit11 | Bit10 | Bit9  | Bit8  | TPU_1  |
|                       | Bit7  | Bit6  | Bit5  | Bit4  | Bit3  | Bit2  | Bit1  | Bit0  |        |
| TGRB_1                | Bit15 | Bit14 | Bit13 | Bit12 | Bit11 | Bit10 | Bit9  | Bit8  |        |
|                       | Bit7  | Bit6  | Bit5  | Bit4  | Bit3  | Bit2  | Bit1  | Bit0  |        |
| TCR_2                 | —     | CCLR1 | CCLR0 | CKEG1 | CKEG0 | TPSC2 | TPSC1 | TPSC0 | TPU_2  |
| TMDR_2                | —     | —     | —     | —     | MD3   | MD2   | MD1   | MD0   |        |
| TIOR_2                | IOB3  | IOB2  | IOB1  | IOB0  | IOA3  | IOA2  | IOA1  | IOA0  |        |
| TIER_2                | TTGE  | —     | TCIEU | TCIEV | —     | —     | TGIEB | TGIEA |        |
| TSR_2                 | TCFD  | —     | TCFU  | TCFV  | —     | —     | TGFB  | TGFA  |        |
| TCNT_2                | Bit15 | Bit14 | Bit13 | Bit12 | Bit11 | Bit10 | Bit9  | Bit8  |        |
|                       | Bit7  | Bit6  | Bit5  | Bit4  | Bit3  | Bit2  | Bit1  | Bit0  |        |
| TGRA_2                | Bit15 | Bit14 | Bit13 | Bit12 | Bit11 | Bit10 | Bit9  | Bit8  |        |
|                       | Bit7  | Bit6  | Bit5  | Bit4  | Bit3  | Bit2  | Bit1  | Bit0  |        |
| TGRB_2                | Bit15 | Bit14 | Bit13 | Bit12 | Bit11 | Bit10 | Bit9  | Bit8  |        |
|                       | Bit7  | Bit6  | Bit5  | Bit4  | Bit3  | Bit2  | Bit1  | Bit0  |        |

Notes: 1. Loaded in on-chip RAM. The bus width is 32 bits when the DTC accesses this area as register information, and 16 bits otherwise.

2. For short address mode
3. For full address mode
4. For normal mode
5. For smart card interface mode
6. If the pulse output group 2 and pulse output group 3 output triggers are the same according to the PCR setting, the NDRH address will be H'FF4C, and if different, the address of NDRH for group 2 will be H'FF4E, and that for group 3 will be H'FF4C. Similarly, if the pulse output group 0 and pulse output group 1 output triggers are the same according to the PCR setting, the NDRL address will be H'FF4D, and if different, the address of NDRL for group 0 will be H'FF4F, and that for group 1 will be H'FF4D.
7. Not supported by the H8S/2375, H8S/2375R, H8S/2373, and H8S/2373R.
8. Supported only by the H8S/2378 0.18 $\mu$ m F-ZTAT Group and H8S/2378R 0.18 $\mu$ m F-ZTAT Group.

## 25.3 Register States in Each Operating Mode

| Register Abbreviation | Reset       | High-Speed | Clock Division | Sleep | Module Stop | All Module Clock Stop | Software Standby | Hardware Standby | Module   |
|-----------------------|-------------|------------|----------------|-------|-------------|-----------------------|------------------|------------------|----------|
| MRA                   | Initialized | —          | —              | —     | —           | —                     | —                | Initialized      | DTC      |
| SAR                   | Initialized | —          | —              | —     | —           | —                     | —                | Initialized      |          |
| MRB                   | Initialized | —          | —              | —     | —           | —                     | —                | Initialized      |          |
| DAR                   | Initialized | —          | —              | —     | —           | —                     | —                | Initialized      |          |
| CRA                   | Initialized | —          | —              | —     | —           | —                     | —                | Initialized      |          |
| CRB                   | Initialized | —          | —              | —     | —           | —                     | —                | Initialized      |          |
| ICCRA_0               | Initialized | —          | —              | —     | —           | —                     | —                | Initialized      | IIC2_0   |
| ICCRB_0               | Initialized | —          | —              | —     | —           | —                     | —                | Initialized      |          |
| ICMR_0                | Initialized | —          | —              | —     | —           | —                     | —                | Initialized      |          |
| ICIER_0               | Initialized | —          | —              | —     | —           | —                     | —                | Initialized      |          |
| ICSR_0                | Initialized | —          | —              | —     | —           | —                     | —                | Initialized      |          |
| SAR_0                 | Initialized | —          | —              | —     | —           | —                     | —                | Initialized      |          |
| ICDRT_0               | Initialized | —          | —              | —     | —           | —                     | —                | Initialized      |          |
| ICDRR_0               | Initialized | —          | —              | —     | —           | —                     | —                | Initialized      |          |
| ICCRA_1               | Initialized | —          | —              | —     | —           | —                     | —                | Initialized      | IIC2_1   |
| ICCRB_1               | Initialized | —          | —              | —     | —           | —                     | —                | Initialized      |          |
| ICMR_1                | Initialized | —          | —              | —     | —           | —                     | —                | Initialized      |          |
| ICIER_1               | Initialized | —          | —              | —     | —           | —                     | —                | Initialized      |          |
| ICSR_1                | Initialized | —          | —              | —     | —           | —                     | —                | Initialized      |          |
| SAR_1                 | Initialized | —          | —              | —     | —           | —                     | —                | Initialized      |          |
| ICDRT_0               | Initialized | —          | —              | —     | —           | —                     | —                | Initialized      |          |
| ICDRR_0               | Initialized | —          | —              | —     | —           | —                     | —                | Initialized      |          |
| SEMR_2                | Initialized | —          | —              | —     | —           | —                     | —                | Initialized      | SCI2     |
| EDSAR_2               | Initialized | —          | —              | —     | —           | —                     | —                | Initialized      | EXDMAC_2 |
| EDDAR_2               | Initialized | —          | —              | —     | —           | —                     | —                | Initialized      | *1       |
| EDTCR_2               | Initialized | —          | —              | —     | —           | —                     | —                | Initialized      |          |
| EDMDR_2               | Initialized | —          | —              | —     | —           | —                     | —                | Initialized      |          |
| EDACR_2               | Initialized | —          | —              | —     | —           | —                     | —                | Initialized      |          |

| Register<br>Abbreviation | Reset       | High-<br>Speed | Clock<br>Division | Sleep | Module<br>Stop | All Module<br>Clock Stop | Software<br>Standby | Hardware<br>Standby | Module         |        |
|--------------------------|-------------|----------------|-------------------|-------|----------------|--------------------------|---------------------|---------------------|----------------|--------|
| EDSAR_3                  | Initialized | —              | —                 | —     | —              | —                        | —                   | Initialized         | EXDMAC_3<br>*1 |        |
| EDDAR_3                  | Initialized | —              | —                 | —     | —              | —                        | —                   | Initialized         |                |        |
| EDTCR_3                  | Initialized | —              | —                 | —     | —              | —                        | —                   | Initialized         |                |        |
| EDMDR_3                  | Initialized | —              | —                 | —     | —              | —                        | —                   | Initialized         |                |        |
| EDACR_3                  | Initialized | —              | —                 | —     | —              | —                        | —                   | Initialized         |                |        |
| IPRA                     | Initialized | —              | —                 | —     | —              | —                        | —                   | Initialized         | INT            |        |
| IPRB                     | Initialized | —              | —                 | —     | —              | —                        | —                   | Initialized         |                |        |
| IPRC                     | Initialized | —              | —                 | —     | —              | —                        | —                   | Initialized         |                |        |
| IPRD                     | Initialized | —              | —                 | —     | —              | —                        | —                   | Initialized         |                |        |
| IPRE                     | Initialized | —              | —                 | —     | —              | —                        | —                   | Initialized         |                |        |
| IPRF                     | Initialized | —              | —                 | —     | —              | —                        | —                   | Initialized         |                |        |
| IPRG                     | Initialized | —              | —                 | —     | —              | —                        | —                   | Initialized         |                |        |
| IPRH                     | Initialized | —              | —                 | —     | —              | —                        | —                   | Initialized         |                |        |
| IPRI                     | Initialized | —              | —                 | —     | —              | —                        | —                   | Initialized         |                |        |
| IPRJ                     | Initialized | —              | —                 | —     | —              | —                        | —                   | Initialized         |                |        |
| IPRK                     | Initialized | —              | —                 | —     | —              | —                        | —                   | Initialized         |                |        |
| ITSR                     | Initialized | —              | —                 | —     | —              | —                        | —                   | Initialized         |                |        |
| SSIER                    | Initialized | —              | —                 | —     | —              | —                        | —                   | Initialized         |                |        |
| ISCRH                    | Initialized | —              | —                 | —     | —              | —                        | —                   | Initialized         |                |        |
| ISCRL                    | Initialized | —              | —                 | —     | —              | —                        | —                   | Initialized         |                |        |
| IrCR_0                   | Initialized | —              | —                 | —     | —              | —                        | —                   | Initialized         |                | IrDA_0 |
| P1DDR                    | Initialized | —              | —                 | —     | —              | —                        | —                   | Initialized         |                |        |
| P2DDR                    | Initialized | —              | —                 | —     | —              | —                        | —                   | Initialized         |                | PORT   |
| P3DDR                    | Initialized | —              | —                 | —     | —              | —                        | —                   | Initialized         |                |        |
| P5DDR                    | Initialized | —              | —                 | —     | —              | —                        | —                   | Initialized         |                |        |
| P6DDR                    | Initialized | —              | —                 | —     | —              | —                        | —                   | Initialized         |                |        |
| P7DDR                    | Initialized | —              | —                 | —     | —              | —                        | —                   | Initialized         |                |        |
| P8DDR                    | Initialized | —              | —                 | —     | —              | —                        | —                   | Initialized         |                |        |
| PADDR                    | Initialized | —              | —                 | —     | —              | —                        | —                   | Initialized         |                |        |
| PBDDR                    | Initialized | —              | —                 | —     | —              | —                        | —                   | Initialized         |                |        |
| PCDDR                    | Initialized | —              | —                 | —     | —              | —                        | —                   | Initialized         |                |        |
| PDDDR                    | Initialized | —              | —                 | —     | —              | —                        | —                   | Initialized         |                |        |
| PEDDR                    | Initialized | —              | —                 | —     | —              | —                        | —                   | Initialized         |                |        |



| Register Abbreviation | Reset       | High-Speed | Clock Division | Sleep | Module Stop | All Module Clock Stop | Software Standby | Hardware Standby | Module |
|-----------------------|-------------|------------|----------------|-------|-------------|-----------------------|------------------|------------------|--------|
| PFDDR                 | Initialized | —          | —              | —     | —           | —                     | —                | Initialized      | PORT   |
| PGDDR                 | Initialized | —          | —              | —     | —           | —                     | —                | Initialized      |        |
| PFCR0                 | Initialized | —          | —              | —     | —           | —                     | —                | Initialized      |        |
| PFCR1                 | Initialized | —          | —              | —     | —           | —                     | —                | Initialized      |        |
| PFCR2                 | Initialized | —          | —              | —     | —           | —                     | —                | Initialized      |        |
| PAPCR                 | Initialized | —          | —              | —     | —           | —                     | —                | Initialized      |        |
| PBPCR                 | Initialized | —          | —              | —     | —           | —                     | —                | Initialized      |        |
| PCPCR                 | Initialized | —          | —              | —     | —           | —                     | —                | Initialized      |        |
| PDPCR                 | Initialized | —          | —              | —     | —           | —                     | —                | Initialized      |        |
| PEPCR                 | Initialized | —          | —              | —     | —           | —                     | —                | Initialized      |        |
| P3ODR                 | Initialized | —          | —              | —     | —           | —                     | —                | Initialized      |        |
| PAODR                 | Initialized | —          | —              | —     | —           | —                     | —                | Initialized      |        |
| SMR_3                 | Initialized | —          | —              | —     | —           | —                     | —                | Initialized      | SCI_3  |
| BRR_3                 | Initialized | —          | —              | —     | —           | —                     | —                | Initialized      |        |
| SCR_3                 | Initialized | —          | —              | —     | —           | —                     | —                | Initialized      |        |
| TDR_3                 | Initialized | —          | —              | —     | Initialized | Initialized           | Initialized      | Initialized      |        |
| SSR_3                 | Initialized | —          | —              | —     | Initialized | Initialized           | Initialized      | Initialized      |        |
| RDR_3                 | Initialized | —          | —              | —     | Initialized | Initialized           | Initialized      | Initialized      |        |
| SCMR_3                | Initialized | —          | —              | —     | —           | —                     | —                | Initialized      |        |
| SMR_4                 | Initialized | —          | —              | —     | —           | —                     | —                | Initialized      | SCI_4  |
| BRR_4                 | Initialized | —          | —              | —     | —           | —                     | —                | Initialized      |        |
| SCR_4                 | Initialized | —          | —              | —     | —           | —                     | —                | Initialized      |        |
| TDR_4                 | Initialized | —          | —              | —     | Initialized | Initialized           | Initialized      | Initialized      |        |
| SSR_4                 | Initialized | —          | —              | —     | Initialized | Initialized           | Initialized      | Initialized      |        |
| RDR_4                 | Initialized | —          | —              | —     | Initialized | Initialized           | Initialized      | Initialized      |        |
| SCMR_4                | Initialized | —          | —              | —     | —           | —                     | —                | Initialized      |        |
| TCR_3                 | Initialized | —          | —              | —     | —           | —                     | —                | Initialized      | TPU_3  |
| TMDR_3                | Initialized | —          | —              | —     | —           | —                     | —                | Initialized      |        |
| TIORH_3               | Initialized | —          | —              | —     | —           | —                     | —                | Initialized      |        |
| TIORL_3               | Initialized | —          | —              | —     | —           | —                     | —                | Initialized      |        |
| TIER_3                | Initialized | —          | —              | —     | —           | —                     | —                | Initialized      |        |
| TSR_3                 | Initialized | —          | —              | —     | —           | —                     | —                | Initialized      |        |
| TCNT_3                | Initialized | —          | —              | —     | —           | —                     | —                | Initialized      |        |

| Register Abbreviation | Reset       | High-Speed | Clock Division | Sleep | Module Stop | All Module Clock Stop | Software Standby | Hardware Standby | Module |     |
|-----------------------|-------------|------------|----------------|-------|-------------|-----------------------|------------------|------------------|--------|-----|
| TGRA_3                | Initialized | —          | —              | —     | —           | —                     | —                | Initialized      | TPU_3  |     |
| TGRB_3                | Initialized | —          | —              | —     | —           | —                     | —                | Initialized      |        |     |
| TGRC_3                | Initialized | —          | —              | —     | —           | —                     | —                | Initialized      |        |     |
| TGRD_3                | Initialized | —          | —              | —     | —           | —                     | —                | Initialized      |        |     |
| TCR_4                 | Initialized | —          | —              | —     | —           | —                     | —                | Initialized      | TPU_4  |     |
| TMDR_4                | Initialized | —          | —              | —     | —           | —                     | —                | Initialized      |        |     |
| TIOR_4                | Initialized | —          | —              | —     | —           | —                     | —                | Initialized      |        |     |
| TIER_4                | Initialized | —          | —              | —     | —           | —                     | —                | Initialized      |        |     |
| TSR_4                 | Initialized | —          | —              | —     | —           | —                     | —                | Initialized      |        |     |
| TCNT_4                | Initialized | —          | —              | —     | —           | —                     | —                | Initialized      |        |     |
| TGRA_4                | Initialized | —          | —              | —     | —           | —                     | —                | Initialized      |        |     |
| TGRB_4                | Initialized | —          | —              | —     | —           | —                     | —                | Initialized      |        |     |
| TCR_5                 | Initialized | —          | —              | —     | —           | —                     | —                | Initialized      | TPU_5  |     |
| TMDR_5                | Initialized | —          | —              | —     | —           | —                     | —                | Initialized      |        |     |
| TIOR_5                | Initialized | —          | —              | —     | —           | —                     | —                | Initialized      |        |     |
| TIER_5                | Initialized | —          | —              | —     | —           | —                     | —                | Initialized      |        |     |
| TSR_5                 | Initialized | —          | —              | —     | —           | —                     | —                | Initialized      |        |     |
| TCNT_5                | Initialized | —          | —              | —     | —           | —                     | —                | Initialized      |        |     |
| TGRA_5                | Initialized | —          | —              | —     | —           | —                     | —                | Initialized      |        |     |
| TGRB_5                | Initialized | —          | —              | —     | —           | —                     | —                | Initialized      |        |     |
| ABWCR                 | Initialized | —          | —              | —     | —           | —                     | —                | Initialized      |        | BSC |
| ASTCR                 | Initialized | —          | —              | —     | —           | —                     | —                | Initialized      |        |     |
| WTCRAH                | Initialized | —          | —              | —     | —           | —                     | —                | Initialized      |        |     |
| WTCRAL                | Initialized | —          | —              | —     | —           | —                     | —                | Initialized      |        |     |
| WTCRBH                | Initialized | —          | —              | —     | —           | —                     | —                | Initialized      |        |     |
| WTCRBL                | Initialized | —          | —              | —     | —           | —                     | —                | Initialized      |        |     |
| RDNCR                 | Initialized | —          | —              | —     | —           | —                     | —                | Initialized      |        |     |
| CSACRH                | Initialized | —          | —              | —     | —           | —                     | —                | Initialized      |        |     |
| CSACRL                | Initialized | —          | —              | —     | —           | —                     | —                | Initialized      |        |     |
| BROMCRH               | Initialized | —          | —              | —     | —           | —                     | —                | Initialized      |        |     |
| BROMCRL               | Initialized | —          | —              | —     | —           | —                     | —                | Initialized      |        |     |
| BCR                   | Initialized | —          | —              | —     | —           | —                     | —                | Initialized      |        |     |

| Register Abbreviation | Reset       | High-Speed | Clock Division | Sleep | Module Stop | All Module Clock Stop | Software Standby | Hardware Standby | Module |
|-----------------------|-------------|------------|----------------|-------|-------------|-----------------------|------------------|------------------|--------|
| DRAMCR                | Initialized | —          | —              | —     | —           | —                     | —                | Initialized      | BSC    |
| DRACCRH               | Initialized | —          | —              | —     | —           | —                     | —                | Initialized      |        |
| DRACCRL               | Initialized | —          | —              | —     | —           | —                     | —                | Initialized      |        |
| REFCR                 | Initialized | —          | —              | —     | —           | —                     | —                | Initialized      |        |
| RTCNT                 | Initialized | —          | —              | —     | —           | —                     | —                | Initialized      |        |
| RTCOR                 | Initialized | —          | —              | —     | —           | —                     | —                | Initialized      |        |
| MAR_0AH               | Initialized | —          | —              | —     | —           | —                     | —                | Initialized      | DMAC   |
| MAR_0AL               | Initialized | —          | —              | —     | —           | —                     | —                | Initialized      |        |
| IOAR_0A               | Initialized | —          | —              | —     | —           | —                     | —                | Initialized      |        |
| ETCR_0A               | Initialized | —          | —              | —     | —           | —                     | —                | Initialized      |        |
| MAR_0BH               | Initialized | —          | —              | —     | —           | —                     | —                | Initialized      |        |
| MAR_0BL               | Initialized | —          | —              | —     | —           | —                     | —                | Initialized      |        |
| IOAR_0B               | Initialized | —          | —              | —     | —           | —                     | —                | Initialized      |        |
| ETCR_0B               | Initialized | —          | —              | —     | —           | —                     | —                | Initialized      |        |
| MAR_1AH               | Initialized | —          | —              | —     | —           | —                     | —                | Initialized      |        |
| MAR_1AL               | Initialized | —          | —              | —     | —           | —                     | —                | Initialized      |        |
| IOAR_1A               | Initialized | —          | —              | —     | —           | —                     | —                | Initialized      |        |
| ETCR_1A               | Initialized | —          | —              | —     | —           | —                     | —                | Initialized      |        |
| MAR_1BH               | Initialized | —          | —              | —     | —           | —                     | —                | Initialized      |        |
| MAR_1BL               | Initialized | —          | —              | —     | —           | —                     | —                | Initialized      |        |
| IOAR_1B               | Initialized | —          | —              | —     | —           | —                     | —                | Initialized      |        |
| ETCR_1B               | Initialized | —          | —              | —     | —           | —                     | —                | Initialized      |        |
| DMAWER                | Initialized | —          | —              | —     | —           | —                     | —                | Initialized      |        |
| DMATCR                | Initialized | —          | —              | —     | —           | —                     | —                | Initialized      |        |
| DMACR_0A              | Initialized | —          | —              | —     | —           | —                     | —                | Initialized      |        |
| DMACR_0B              | Initialized | —          | —              | —     | —           | —                     | —                | Initialized      |        |
| DMACR_1A              | Initialized | —          | —              | —     | —           | —                     | —                | Initialized      |        |
| DMACR_1B              | Initialized | —          | —              | —     | —           | —                     | —                | Initialized      |        |
| DMABCRH               | Initialized | —          | —              | —     | —           | —                     | —                | Initialized      |        |
| DMABCRL               | Initialized | —          | —              | —     | —           | —                     | —                | Initialized      |        |

| Register Abbreviation | Reset       | High-Speed | Clock Division | Sleep | Module Stop | All Module Clock Stop | Software Standby | Hardware Standby | Module |
|-----------------------|-------------|------------|----------------|-------|-------------|-----------------------|------------------|------------------|--------|
| DTCERA                | Initialized | —          | —              | —     | —           | —                     | —                | Initialized      | DTC    |
| DTCERB                | Initialized | —          | —              | —     | —           | —                     | —                | Initialized      |        |
| DTCERC                | Initialized | —          | —              | —     | —           | —                     | —                | Initialized      |        |
| DTCERD                | Initialized | —          | —              | —     | —           | —                     | —                | Initialized      |        |
| DTCERE                | Initialized | —          | —              | —     | —           | —                     | —                | Initialized      |        |
| DTCERF                | Initialized | —          | —              | —     | —           | —                     | —                | Initialized      |        |
| DTCERG                | Initialized | —          | —              | —     | —           | —                     | —                | Initialized      |        |
| DTVECH                | Initialized | —          | —              | —     | —           | —                     | —                | Initialized      |        |
| DTVECR                | Initialized | —          | —              | —     | —           | —                     | —                | Initialized      |        |
| INTCR                 | Initialized | —          | —              | —     | —           | —                     | —                | Initialized      | INT    |
| IER                   | Initialized | —          | —              | —     | —           | —                     | —                | Initialized      |        |
| ISR                   | Initialized | —          | —              | —     | —           | —                     | —                | Initialized      |        |
| SBYCR                 | Initialized | —          | —              | —     | —           | —                     | —                | Initialized      | SYSTEM |
| SCKCR                 | Initialized | —          | —              | —     | —           | —                     | —                | Initialized      |        |
| SYSCR                 | Initialized | —          | —              | —     | —           | —                     | —                | Initialized      |        |
| MDCR                  | Initialized | —          | —              | —     | —           | —                     | —                | Initialized      |        |
| MSTPCRH               | Initialized | —          | —              | —     | —           | —                     | —                | Initialized      |        |
| MSTPCRL               | Initialized | —          | —              | —     | —           | —                     | —                | Initialized      |        |
| EXMSTPCRH             | Initialized | —          | —              | —     | —           | —                     | —                | Initialized      |        |
| EXMSTPCRL             | Initialized | —          | —              | —     | —           | —                     | —                | Initialized      |        |
| PLLCR                 | Initialized | —          | —              | —     | —           | —                     | —                | Initialized      |        |
| PCR                   | Initialized | —          | —              | —     | —           | —                     | —                | Initialized      |        |
| PMR                   | Initialized | —          | —              | —     | —           | —                     | —                | Initialized      |        |
| NDERH                 | Initialized | —          | —              | —     | —           | —                     | —                | Initialized      |        |
| NDERL                 | Initialized | —          | —              | —     | —           | —                     | —                | Initialized      |        |
| PODRH                 | Initialized | —          | —              | —     | —           | —                     | —                | Initialized      |        |
| PODRL                 | Initialized | —          | —              | —     | —           | —                     | —                | Initialized      |        |
| NDRH                  | Initialized | —          | —              | —     | —           | —                     | —                | Initialized      |        |
| NDRL                  | Initialized | —          | —              | —     | —           | —                     | —                | Initialized      |        |
| NDRH                  | Initialized | —          | —              | —     | —           | —                     | —                | Initialized      |        |
| NDRL                  | Initialized | —          | —              | —     | —           | —                     | —                | Initialized      |        |

| Register Abbreviation | Reset       | High-Speed | Clock Division | Sleep | Module Stop | All Module Clock Stop | Software Standby | Hardware Standby | Module |
|-----------------------|-------------|------------|----------------|-------|-------------|-----------------------|------------------|------------------|--------|
| PORT1                 | —           | —          | —              | —     | —           | —                     | —                | —                | PORT   |
| PORT2                 | —           | —          | —              | —     | —           | —                     | —                | —                |        |
| PORT3                 | —           | —          | —              | —     | —           | —                     | —                | —                |        |
| PORT4                 | —           | —          | —              | —     | —           | —                     | —                | —                |        |
| PORT5                 | —           | —          | —              | —     | —           | —                     | —                | —                |        |
| PORT6                 | —           | —          | —              | —     | —           | —                     | —                | —                |        |
| PORT8                 | —           | —          | —              | —     | —           | —                     | —                | —                |        |
| PORT9                 | —           | —          | —              | —     | —           | —                     | —                | —                |        |
| PORTA                 | —           | —          | —              | —     | —           | —                     | —                | —                |        |
| PORTB                 | —           | —          | —              | —     | —           | —                     | —                | —                |        |
| PORTC                 | —           | —          | —              | —     | —           | —                     | —                | —                |        |
| PORTD                 | —           | —          | —              | —     | —           | —                     | —                | —                |        |
| PORTE                 | —           | —          | —              | —     | —           | —                     | —                | —                |        |
| PORTF                 | —           | —          | —              | —     | —           | —                     | —                | —                |        |
| PORTG                 | —           | —          | —              | —     | —           | —                     | —                | —                |        |
| P1DR                  | Initialized | —          | —              | —     | —           | —                     | —                | Initialized      |        |
| P2DR                  | Initialized | —          | —              | —     | —           | —                     | —                | Initialized      |        |
| P3DR                  | Initialized | —          | —              | —     | —           | —                     | —                | Initialized      |        |
| P5DR                  | Initialized | —          | —              | —     | —           | —                     | —                | Initialized      |        |
| P6DR                  | Initialized | —          | —              | —     | —           | —                     | —                | Initialized      |        |
| P8DR                  | Initialized | —          | —              | —     | —           | —                     | —                | Initialized      |        |
| PADR                  | Initialized | —          | —              | —     | —           | —                     | —                | Initialized      |        |
| PBDR                  | Initialized | —          | —              | —     | —           | —                     | —                | Initialized      |        |
| PCDR                  | Initialized | —          | —              | —     | —           | —                     | —                | Initialized      |        |
| PDDR                  | Initialized | —          | —              | —     | —           | —                     | —                | Initialized      |        |
| PEDR                  | Initialized | —          | —              | —     | —           | —                     | —                | Initialized      |        |
| PFDR                  | Initialized | —          | —              | —     | —           | —                     | —                | Initialized      |        |
| PGDR                  | Initialized | —          | —              | —     | —           | —                     | —                | Initialized      |        |
| PORTH                 | Initialized | —          | —              | —     | —           | —                     | —                | Initialized      |        |
| PHDR                  | Initialized | —          | —              | —     | —           | —                     | —                | Initialized      |        |
| PHDDR                 | Initialized | —          | —              | —     | —           | —                     | —                | Initialized      |        |

| Register Abbreviation | Reset       | High-Speed | Clock Division | Sleep | Module Stop | All Module Clock Stop | Software Standby | Hardware Standby | Module |
|-----------------------|-------------|------------|----------------|-------|-------------|-----------------------|------------------|------------------|--------|
| SMR_0                 | Initialized | —          | —              | —     | —           | —                     | —                | Initialized      | SCI_0  |
| BRR_0                 | Initialized | —          | —              | —     | —           | —                     | —                | Initialized      |        |
| SCR_0                 | Initialized | —          | —              | —     | —           | —                     | —                | Initialized      |        |
| TDR_0                 | Initialized | —          | —              | —     | Initialized | Initialized           | Initialized      | Initialized      |        |
| SSR_0                 | Initialized | —          | —              | —     | Initialized | Initialized           | Initialized      | Initialized      |        |
| RDR_0                 | Initialized | —          | —              | —     | Initialized | Initialized           | Initialized      | Initialized      |        |
| SCMR_0                | Initialized | —          | —              | —     | —           | —                     | —                | Initialized      |        |
| SMR_1                 | Initialized | —          | —              | —     | —           | —                     | —                | Initialized      | SCI_1  |
| BRR_1                 | Initialized | —          | —              | —     | —           | —                     | —                | Initialized      |        |
| SCR_1                 | Initialized | —          | —              | —     | —           | —                     | —                | Initialized      |        |
| TDR_1                 | Initialized | —          | —              | —     | Initialized | Initialized           | Initialized      | Initialized      |        |
| SSR_1                 | Initialized | —          | —              | —     | Initialized | Initialized           | Initialized      | Initialized      |        |
| RDR_1                 | Initialized | —          | —              | —     | Initialized | Initialized           | Initialized      | Initialized      |        |
| SCMR_1                | Initialized | —          | —              | —     | —           | —                     | —                | Initialized      |        |
| SMR_2                 | Initialized | —          | —              | —     | —           | —                     | —                | Initialized      | SCI_2  |
| BRR_2                 | Initialized | —          | —              | —     | —           | —                     | —                | Initialized      |        |
| SCR_2                 | Initialized | —          | —              | —     | —           | —                     | —                | Initialized      |        |
| TDR_2                 | Initialized | —          | —              | —     | Initialized | Initialized           | Initialized      | Initialized      |        |
| SSR_2                 | Initialized | —          | —              | —     | Initialized | Initialized           | Initialized      | Initialized      |        |
| RDR_2                 | Initialized | —          | —              | —     | Initialized | Initialized           | Initialized      | Initialized      |        |
| SCMR_2                | Initialized | —          | —              | —     | —           | —                     | —                | Initialized      |        |
| ADDRA                 | Initialized | —          | —              | —     | —           | —                     | —                | Initialized      | A/D    |
| ADDRB                 | Initialized | —          | —              | —     | —           | —                     | —                | Initialized      |        |
| ADDRC                 | Initialized | —          | —              | —     | —           | —                     | —                | Initialized      |        |
| ADDRD                 | Initialized | —          | —              | —     | —           | —                     | —                | Initialized      |        |
| ADDRE                 | Initialized | —          | —              | —     | —           | —                     | —                | Initialized      |        |
| ADDRF                 | Initialized | —          | —              | —     | —           | —                     | —                | Initialized      |        |
| ADDRG                 | Initialized | —          | —              | —     | —           | —                     | —                | Initialized      |        |
| ADDRH                 | Initialized | —          | —              | —     | —           | —                     | —                | Initialized      |        |
| ADCSR                 | Initialized | —          | —              | —     | —           | —                     | —                | Initialized      |        |
| ADCR                  | Initialized | —          | —              | —     | —           | —                     | —                | Initialized      |        |

| Register Abbreviation | Reset       | High-Speed | Clock Division | Sleep | Module Stop | All Module Clock Stop | Software Standby | Hardware Standby | Module |
|-----------------------|-------------|------------|----------------|-------|-------------|-----------------------|------------------|------------------|--------|
| DADR0 <sup>*2</sup>   | Initialized | —          | —              | —     | —           | —                     | —                | Initialized      | D/A    |
| DADR1 <sup>*2</sup>   | Initialized | —          | —              | —     | —           | —                     | —                | Initialized      |        |
| DACR01 <sup>*2</sup>  | Initialized | —          | —              | —     | —           | —                     | —                | Initialized      |        |
| DADR2                 | Initialized | —          | —              | —     | —           | —                     | —                | Initialized      |        |
| DADR3                 | Initialized | —          | —              | —     | —           | —                     | —                | Initialized      |        |
| DACR23                | Initialized | —          | —              | —     | —           | —                     | —                | Initialized      |        |
| DADR4 <sup>*1</sup>   | Initialized | —          | —              | —     | —           | —                     | —                | Initialized      |        |
| DADR5 <sup>*1</sup>   | Initialized | —          | —              | —     | —           | —                     | —                | Initialized      |        |
| DACR45 <sup>*1</sup>  | Initialized | —          | —              | —     | —           | —                     | —                | Initialized      |        |
| TCR_0                 | Initialized | —          | —              | —     | —           | —                     | —                | Initialized      | TMR_0  |
| TCR_1                 | Initialized | —          | —              | —     | —           | —                     | —                | Initialized      | TMR_1  |
| TCSR_0                | Initialized | —          | —              | —     | —           | —                     | —                | Initialized      |        |
| TCSR_1                | Initialized | —          | —              | —     | —           | —                     | —                | Initialized      |        |
| TCORA_0               | Initialized | —          | —              | —     | —           | —                     | —                | Initialized      |        |
| TCORA_1               | Initialized | —          | —              | —     | —           | —                     | —                | Initialized      |        |
| TCORB_0               | Initialized | —          | —              | —     | —           | —                     | —                | Initialized      |        |
| TCORB_1               | Initialized | —          | —              | —     | —           | —                     | —                | Initialized      |        |
| TCNT_0                | Initialized | —          | —              | —     | —           | —                     | —                | Initialized      |        |
| TCNT_1                | Initialized | —          | —              | —     | —           | —                     | —                | Initialized      |        |
| TCSR                  | Initialized | —          | —              | —     | —           | —                     | —                | Initialized      | WDT    |
| TCNT                  | Initialized | —          | —              | —     | —           | —                     | —                | Initialized      |        |
| RSTCSR                | Initialized | —          | —              | —     | —           | —                     | —                | Initialized      |        |
| TSTR                  | Initialized | —          | —              | —     | —           | —                     | —                | Initialized      | TPU    |
| TSYR                  | Initialized | —          | —              | —     | —           | —                     | —                | Initialized      |        |
| FCCS <sup>*2</sup>    | Initialized | —          | —              | —     | —           | —                     | —                | Initialized      | FLASH  |
| FPCS <sup>*2</sup>    | Initialized | —          | —              | —     | —           | —                     | —                | Initialized      |        |
| FECS <sup>*2</sup>    | Initialized | —          | —              | —     | —           | —                     | —                | Initialized      |        |
| FLMCR1                | Initialized | —          | —              | —     | —           | —                     | —                | Initialized      |        |
| FKEY <sup>*2</sup>    | Initialized | —          | —              | —     | —           | —                     | —                | Initialized      |        |
| FLMCR2                | Initialized | —          | —              | —     | —           | —                     | —                | Initialized      |        |
| FMATS <sup>*2</sup>   | Initialized | —          | —              | —     | —           | —                     | —                | Initialized      |        |
| FTDAR <sup>*2</sup>   | Initialized | —          | —              | —     | —           | —                     | —                | Initialized      |        |

| Register Abbreviation | Reset       | High-Speed | Clock Division | Sleep | Module Stop | All Module Clock Stop | Software Standby | Hardware Standby | Module |       |
|-----------------------|-------------|------------|----------------|-------|-------------|-----------------------|------------------|------------------|--------|-------|
| EBR1                  | Initialized | —          | —              | —     | —           | —                     | —                | Initialized      | FLASH  |       |
| EBR2                  | Initialized | —          | —              | —     | —           | —                     | —                | Initialized      |        |       |
| FVACR*2               | Initialized | —          | —              | —     | —           | —                     | —                | Initialized      |        |       |
| FVADRR*2              | Initialized | —          | —              | —     | —           | —                     | —                | Initialized      |        |       |
| FVADRE*2              | Initialized | —          | —              | —     | —           | —                     | —                | Initialized      |        |       |
| FVADRH*2              | Initialized | —          | —              | —     | —           | —                     | —                | Initialized      |        |       |
| FVADRL*2              | Initialized | —          | —              | —     | —           | —                     | —                | Initialized      |        |       |
| TCR_0                 | Initialized | —          | —              | —     | —           | —                     | —                | Initialized      | TPU_0  |       |
| TMDR_0                | Initialized | —          | —              | —     | —           | —                     | —                | Initialized      |        |       |
| TIORH_0               | Initialized | —          | —              | —     | —           | —                     | —                | Initialized      |        |       |
| TIORL_0               | Initialized | —          | —              | —     | —           | —                     | —                | Initialized      |        |       |
| TIER_0                | Initialized | —          | —              | —     | —           | —                     | —                | Initialized      |        |       |
| TSR_0                 | Initialized | —          | —              | —     | —           | —                     | —                | Initialized      |        |       |
| TCNT_0                | Initialized | —          | —              | —     | —           | —                     | —                | Initialized      |        |       |
| TGRA_0                | Initialized | —          | —              | —     | —           | —                     | —                | Initialized      |        |       |
| TGRB_0                | Initialized | —          | —              | —     | —           | —                     | —                | Initialized      |        |       |
| TGRC_0                | Initialized | —          | —              | —     | —           | —                     | —                | Initialized      |        |       |
| TGRD_0                | Initialized | —          | —              | —     | —           | —                     | —                | Initialized      |        |       |
| TCR_1                 | Initialized | —          | —              | —     | —           | —                     | —                | Initialized      |        | TPU_1 |
| TMDR_1                | Initialized | —          | —              | —     | —           | —                     | —                | Initialized      |        |       |
| TIOR_1                | Initialized | —          | —              | —     | —           | —                     | —                | Initialized      |        |       |
| TIER_1                | Initialized | —          | —              | —     | —           | —                     | —                | Initialized      |        |       |
| TSR_1                 | Initialized | —          | —              | —     | —           | —                     | —                | Initialized      |        |       |
| TCNT_1                | Initialized | —          | —              | —     | —           | —                     | —                | Initialized      |        |       |
| TGRA_1                | Initialized | —          | —              | —     | —           | —                     | —                | Initialized      |        |       |
| TGRB_1                | Initialized | —          | —              | —     | —           | —                     | —                | Initialized      |        |       |
| TCR_2                 | Initialized | —          | —              | —     | —           | —                     | —                | Initialized      | TPU_2  |       |
| TMDR_2                | Initialized | —          | —              | —     | —           | —                     | —                | Initialized      |        |       |
| TIOR_2                | Initialized | —          | —              | —     | —           | —                     | —                | Initialized      |        |       |
| TIER_2                | Initialized | —          | —              | —     | —           | —                     | —                | Initialized      |        |       |
| TSR_2                 | Initialized | —          | —              | —     | —           | —                     | —                | Initialized      |        |       |



| Register Abbreviation | Reset       | High-Speed | Clock Division | Sleep | Module Stop | All Module Clock Stop | Software Standby | Hardware Standby | Module |
|-----------------------|-------------|------------|----------------|-------|-------------|-----------------------|------------------|------------------|--------|
| TCNT_2                | Initialized | —          | —              | —     | —           | —                     | —                | Initialized      | TPU_2  |
| TGRA_2                | Initialized | —          | —              | —     | —           | —                     | —                | Initialized      |        |
| TGRB_2                | Initialized | —          | —              | —     | —           | —                     | —                | Initialized      |        |

- Notes:
1. Not supported by the H8S/2375, H8S/2375R, H8S/2373, and H8S/2373R.
  2. Supported only by the H8S/2378 0.18μm F-ZTAT Group and H8S/2378R 0.18μm F-ZTAT Group.



## Section 26 Electrical Characteristics

### 26.1 Electrical Characteristics for H8S/2377, H8S/2375, H8S/2373, H8S/2377R, H8S/2375R, and H8S/2373R

#### 26.1.1 Absolute Maximum Ratings

Table 26.1 lists the absolute maximum ratings.

**Table 26.1 Absolute Maximum Ratings**

| Item                                 | Symbol                  | Value                                     | Unit |
|--------------------------------------|-------------------------|---|------|
| Power supply voltage                 | $V_{CC}$<br>$PLL_{VCC}$ | -0.3 to +4.3                              | V    |
| Input voltage (except ports 4 and 9) | $V_{in}$                | -0.3 to $V_{CC} + 0.3$                    | V    |
| Input voltage (ports 4 and 9)        | $V_{in}$                | -0.3 to $AV_{CC} + 0.3$                   | V    |
| Reference power supply voltage       | $V_{ref}$               | -0.3 to $AV_{CC} + 0.3$                   | V    |
| Analog power supply voltage          | $AV_{CC}$               | -0.3 to +4.0                              | V    |
| Analog input voltage                 | $V_{AN}$                | -0.3 to $AV_{CC} + 0.3$                   | V    |
| Operating temperature                | $T_{opr}$               | Regular specifications:<br>-20 to +75*    | °C   |
|                                      |                         | Wide-range specifications:<br>-40 to +85* | °C   |
| Storage temperature                  | $T_{stg}$               | -55 to +125                               | °C   |

Caution: Permanent damage to the LSI may result if absolute maximum ratings are exceeded.

Note: \* Ranges of operating temperature when flash memory is programmed/erased:

Regular specifications: 0 to +75°C

Wide-range specifications: 0 to +85°C

## 26.1.2 DC Characteristics

Table 26.2 DC Characteristics (1)

Conditions:  $V_{CC} = 3.0\text{ V to }3.6\text{ V}$ ,  $AV_{CC} = 3.0\text{ V to }3.6\text{ V}$ ,  $V_{ref} = 3.0\text{ V to }AV_{CC}$ ,  
 $V_{SS} = AV_{SS} = 0\text{ V}^{*1}$ ,  $T_a = -20^\circ\text{C to }+75^\circ\text{C}$  (regular specifications),  
 $T_a = -40^\circ\text{C to }+85^\circ\text{C}$  (wide-range specifications)

| Item                          | Symbol  | Min.          | Typ.                     | Max. | Unit                | Test Conditions |                              |
|-------------------------------|---|---------------|--------------------------|------|---------------------|-----------------|------------------------------|
| Schmitt trigger input voltage | Port 1, port 2, P50 to P53 <sup>*2</sup> , port 6 <sup>*2</sup> , port 8 <sup>*2</sup> , PA4 to PA7 <sup>*2</sup> , PF1 <sup>*2</sup> , PF2 <sup>*2</sup> , PH2 <sup>*2</sup> , PH3 <sup>*2</sup> | $VT^-$        | $V_{CC} \times 0.2$      | —    | —                   | V               |                              |
|                               |   | $VT^+$        | —                        | —    | $V_{CC} \times 0.7$ | V               |                              |
|                               |   | $VT^+ - VT^-$ | $V_{CC} \times 0.07$     | —    | —                   | V               |                              |
| Input high voltage            | $\overline{STBY}$ , MD2 to MD0  | $V_{IH}$      | $V_{CC} \times 0.9$      | —    | $V_{CC} + 0.3$      | V               |                              |
|                               | $\overline{RES}$ , NMI, EMLE  |               | $V_{CC} \times 0.9$      | —    | $V_{CC} + 0.3$      | V               |                              |
|                               | EXTAL   |               | $V_{CC} \times 0.7$      | —    | $V_{CC} + 0.3$      | V               |                              |
|                               | Port 3, P50 to P53 <sup>*3</sup> , ports 6 <sup>*3</sup> and 8 <sup>*3</sup> , ports A to H <sup>*3</sup>   |               | 2.2                      | —    | $V_{CC} + 0.3$      | V               |                              |
|                               | Port 4, Port 9  |               | 2.2                      | —    | $AV_{CC} + 0.3$     | V               |                              |
| Input low voltage             | $\overline{RES}$ , $\overline{STBY}$ , MD2 to MD0, EMLE   | $V_{IL}$      | -0.3                     | —    | $V_{CC} \times 0.1$ | V               |                              |
|                               | NMI, EXTAL  |               | -0.3                     | —    | $V_{CC} \times 0.2$ | V               |                              |
|                               | Ports 3 to 6 <sup>*3</sup> , Port 8 <sup>*3</sup> , ports A to H <sup>*3</sup> , port 9   |               | -0.3                     | —    | $V_{CC} \times 0.2$ | V               |                              |
| Output high voltage           | All output pins   | $V_{OH}$      | $V_{CC} - 0.5$           | —    | —                   | V               | $I_{OH} = -200\ \mu\text{A}$ |
|                               |   |               | $V_{CC} - 1.0$           | —    | —                   | V               | $I_{OH} = -1\ \text{mA}$     |
| Output low voltage            | All output pins   | $V_{OL}$      | —                        | —    | 0.4                 | V               | $I_{OL} = 1.6\ \text{mA}$    |
|                               |   |               | P32 to P35 <sup>*4</sup> | —    | —                   | 0.5             | V                            |

Notes: 1. When the A/D and D/A converters are not used, the  $AV_{CC}$ ,  $V_{ref}$ , and  $AV_{SS}$  pins should not be open. Connect the  $AV_{CC}$  and  $V_{ref}$  pins to  $V_{CC}$ , and the  $AV_{SS}$  pin to  $V_{SS}$ .

2. When used as  $\overline{IRQ0}$  to  $\overline{IRQ15}$ .

3. When used as other than  $\overline{IRQ0}$  to  $\overline{IRQ15}$ .

4. When used as SCL0 to SCL1, SDA0 to SDA1.

**Table 26.3 DC Characteristics (2)**

Conditions:  $V_{CC} = 3.0\text{ V to }3.6\text{ V}$ ,  $AV_{CC} = 3.0\text{ V to }3.6\text{ V}$ ,  $V_{ref} = 3.0\text{ V to }AV_{CC}$ ,  
 $V_{SS} = AV_{SS} = 0\text{ V}^{*1}$ ,  $T_a = -20^\circ\text{C to }+75^\circ\text{C}$  (regular specifications),  
 $T_a = -40^\circ\text{C to }+85^\circ\text{C}$  (wide-range specifications)

| Item                                    | Symbol  | Min.          | Typ. | Max.           | Unit | Test Conditions   |
|---|---|---------------|------|----------------|------|---|
| Input leakage current                   | $\overline{\text{RES}}$                               | $ I_{in} $    | —    | —              | 10.0 | $\mu\text{A}$ $V_{in} = 0.5$ to $V_{CC} - 0.5\text{ V}$                 |
|   | $\overline{\text{STBY}}$ , NMI, MD2 to MD0            |               | —    | —              | 1.0  | $\mu\text{A}$   |
|   | Port 4, Port 9  |               | —    | —              | 1.0  | $\mu\text{A}$ $V_{in} = 0.5$ to $AV_{CC} - 0.5\text{ V}$                |
| Three-state leakage current (off state) | Ports 1 to 3, P50 to P53, ports 6 and 8, ports A to H | $ I_{TSI} $   | —    | —              | 1.0  | $\mu\text{A}$ $V_{in} = 0.5$ to $V_{CC} - 0.5\text{ V}$                 |
| Input pull-up MOS current               | Ports A to E  | $-I_p$        | 10   | —              | 300  | $\mu\text{A}$ $V_{CC} = 3.0$ to $3.6\text{ V}$<br>$V_{in} = 0\text{ V}$ |
| Input capacitance                       | $\overline{\text{RES}}$                               | $C_{in}$      | —    | —              | 30   | $\text{pF}$ $V_{in} = 0\text{ V}$                                       |
|   | NMI   |               | —    | —              | 30   | $\text{pF}$ $f = 1\text{ MHz}$  |
|   | All input pins except $\overline{\text{RES}}$ and NMI |               | —    | —              | 15   | $\text{pF}$ $T_a = 25^\circ\text{C}$                                    |
| Current consumption <sup>*2</sup>       | Normal operation                                      | $I_{CC}^{*4}$ | —    | 80<br>(3.3 V)  | 120  | $\text{mA}$ $f = 33\text{ MHz}$   |
|   | Sleep mode  |               | —    | 60<br>(3.3 V)  | 100  | $\text{mA}$ $f = 33\text{ MHz}$   |
|   | Standby mode <sup>*3</sup>                            |               | —    | 0.01           | 10   | $\mu\text{A}$ $T_a \leq 50^\circ\text{C}$                               |
|   |   |               | —    | —              | 80   | $\mu\text{A}$ $50^\circ\text{C} < T_a$                                  |
| Analog power supply current             | During A/D and D/A conversion                         | $AI_{CC}$     | —    | 0.5<br>(3.0 V) | 2.0  | $\text{mA}$   |
|   | Idle  |               | —    | 0.01           | 5.0  | $\mu\text{A}$   |

| Item                           |                               | Symbol    | Min. | Typ.           | Max. | Unit    | Test Conditions |
|--------------------------------|-------------------------------|-----------|------|----------------|------|---------|-----------------|
| Reference power supply current | During A/D and D/A conversion | $I_{CC}$  | —    | 3.0<br>(3.0 V) | 6.0  | mA      |                 |
|                                | Idle                          |           | —    | 0.01           | 5.0  | $\mu$ A |                 |
| RAM standby voltage            |                               | $V_{RAM}$ | 2.0  | —              | —    | V       |                 |

Notes: 1. When the A/D and D/A converters are not used, the  $AV_{CC}$ ,  $V_{ref}$ , and  $AV_{SS}$  pins should not be open. Connect the  $AV_{CC}$  and  $V_{ref}$  pins to  $V_{CC}$ , and the  $AV_{SS}$  pin to  $V_{SS}$ .

2. Current consumption values are for  $V_{IHmin} = V_{CC} - 0.2$  V and  $V_{ILmax} = 0.2$  V with all output pins unloaded and all input pull-up MOSs in the off state.

3. The values are for  $V_{RAM} \leq V_{CC} < 3.0$  V,  $V_{IHmin} = V_{CC} \times 0.9$ , and  $V_{ILmax} = 0.3$  V.

4.  $I_{CC}$  depends on  $V_{CC}$  and  $f$  as follows:

$$I_{CCmax} = 1.0 \text{ (mA)} + 1.0 \text{ (mA/(MHz} \times \text{V))} \times V_{CC} \times f \text{ (normal operation)}$$

$$I_{CCmax} = 1.0 \text{ (mA)} + 0.85 \text{ (mA/(MHz} \times \text{V))} \times V_{CC} \times f \text{ (sleep mode)}$$

**Table 26.4 Permissible Output Currents**

Conditions:  $V_{CC} = 3.0$  V to 3.6 V,  $AV_{CC} = 3.0$  V to 3.6 V,  $V_{ref} = 3.0$  V to  $AV_{CC}$ ,

$V_{SS} = AV_{SS} = 0$  V\*,  $T_a = -20^\circ\text{C}$  to  $+75^\circ\text{C}$  (regular specifications),

$T_a = -40^\circ\text{C}$  to  $+85^\circ\text{C}$  (wide-range specifications)

| Item                                      |                                  | Symbol           | Min. | Typ. | Max. | Unit |
|---|----------------------------------|------------------|------|------|------|------|
| Permissible output low current (per pin)  | SCL0, 1, SDA0, 1                 | $I_{OL}$         | —    | —    | 8.0  | mA   |
|   | Output pins other than the above |                  | —    | —    | 2.0  |      |
| Permissible output low current (total)    | Total of all output pins         | $\Sigma I_{OL}$  | —    | —    | 80   | mA   |
| Permissible output high current (per pin) | All output pins                  | $-I_{OH}$        | —    | —    | 2.0  | mA   |
| Permissible output high current (total)   | Total of all output pins         | $\Sigma -I_{OH}$ | —    | —    | 40   | mA   |

Caution: To protect the LSI's reliability, do not exceed the output current values in table 26.4.

Note: \* When the A/D and D/A converters are not used, do not leave the  $AV_{CC}$ ,  $V_{ref}$ , and  $AV_{SS}$  pins should not be open. Connect the  $AV_{CC}$  and  $V_{ref}$  pins to  $V_{CC}$ , and the  $AV_{SS}$  pin to  $V_{SS}$ .

## 26.1.3 AC Characteristics

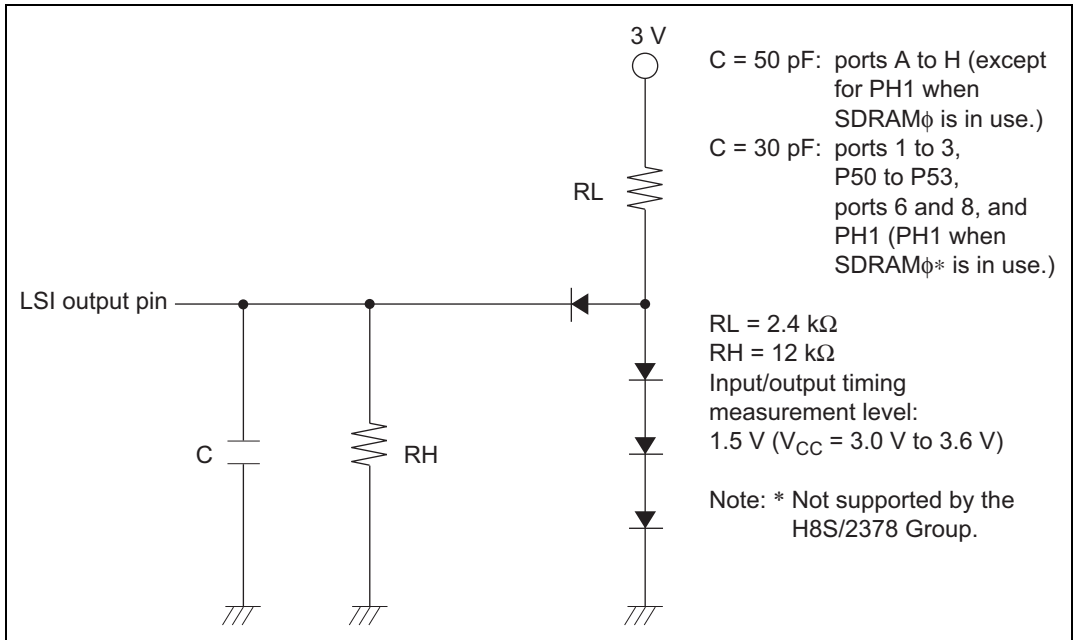


Figure 26.1 Output Load Circuit

**(1) Clock Timing****Table 26.5 Clock Timing**

Conditions:  $V_{CC} = 3.0\text{ V to }3.6\text{ V}$ ,  $AV_{CC} = 3.0\text{ V to }3.6\text{ V}$ ,  $V_{ref} = 3.0\text{ V to }AV_{CC}$ ,  $V_{SS} = AV_{SS} = 0\text{ V}$ ,  $\phi = 8\text{ MHz to }33\text{ MHz}$ ,  $T_a = -20^\circ\text{C to }+75^\circ\text{C}$  (regular specifications),  
 $T_a = -40^\circ\text{C to }+85^\circ\text{C}$  (wide-range specifications)

| Item   | Symbol     | Min.                     | Max.                     | Unit | Test Conditions |
|--|------------|--------------------------|--------------------------|------|-----------------|
| Clock cycle time                                     | $t_{cyc}$  | 30.3                     | 125                      | ns   | Figure 26.2     |
| Clock pulse high width                               | $t_{CH}$   | 10                       | —                        | ns   | Figure 26.2     |
| Clock pulse low width                                | $t_{CL}$   | 10                       | —                        | ns   |                 |
| Clock rising time                                    | $t_{Cr}$   | —                        | 5                        | ns   |                 |
| Clock falling time                                   | $t_{Cf}$   | —                        | 5                        | ns   |                 |
| Reset oscillation settling time (crystal)            | $t_{OSC1}$ | 10                       | —                        | ms   | Figure 26.4(1)  |
| Software standby oscillation settling time (crystal) | $t_{OSC2}$ | 10                       | —                        | ms   | Figure 26.4(2)  |
| External clock output settling time                  | $t_{DEXT}$ | 1                        | —                        | ms   | Figure 26.4(1)  |
| Clock phase difference*                              | $t_{cdif}$ | $1/4 \times t_{cyc} - 3$ | $1/4 \times t_{cyc} + 3$ | ns   | Figure 26.3     |
| Clock pulse high width (SDRAM $\phi$ )*              | $t_{SDCH}$ | 10                       | —                        | ns   | Figure 26.3     |
| Clock pulse low width (SDRAM $\phi$ )*               | $t_{SDCL}$ | 10                       | —                        | ns   | Figure 26.3     |
| Clock rising time (SDRAM $\phi$ )*                   | $t_{sdcr}$ | —                        | 5                        | ns   | Figure 26.3     |
| Clock falling time (SDRAM $\phi$ )*                  | $t_{sdcf}$ | —                        | 5                        | ns   | Figure 26.3     |

Note: \* Not supported by the H8S/2378 Group.



**(2) Control Signal Timing****Table 26.6 Control Signal Timing**

Conditions:  $V_{CC} = 3.0\text{ V to }3.6\text{ V}$ ,  $AV_{CC} = 3.0\text{ V to }3.6\text{ V}$ ,  $V_{ref} = 3.0\text{ V to }AV_{CC}$ ,  $V_{SS} = AV_{SS} = 0\text{ V}$ ,  $\phi = 8\text{ MHz to }33\text{ MHz}$ ,  $T_a = -20^\circ\text{C to }+75^\circ\text{C}$  (regular specifications),  
 $T_a = -40^\circ\text{C to }+85^\circ\text{C}$  (wide-range specifications)

| Item   | Symbol            | Min. | Max. | Unit             | Test Conditions |
|--|-------------------|------|------|------------------|-----------------|
| $\overline{\text{RES}}$ setup time   | $t_{\text{RESS}}$ | 200  | —    | ns               | Figure 26.5     |
| $\overline{\text{RES}}$ pulse width  | $t_{\text{RESW}}$ | 20   | —    | $t_{\text{cyc}}$ |                 |
| NMI setup time   | $t_{\text{NMIS}}$ | 150  | —    | ns               | Figure 26.6     |
| NMI hold time  | $t_{\text{NMIH}}$ | 10   | —    |                  |                 |
| NMI pulse width (in recovery from software standby mode)                     | $t_{\text{NMIW}}$ | 200  | —    |                  |                 |
| $\overline{\text{IRQ}}$ setup time   | $t_{\text{IRQS}}$ | 150  | —    | ns               |                 |
| $\overline{\text{IRQ}}$ hold time  | $t_{\text{IRQH}}$ | 10   | —    |                  |                 |
| $\overline{\text{IRQ}}$ pulse width (in recovery from software standby mode) | $t_{\text{IRQW}}$ | 200  | —    |                  |                 |

**(3) Bus Timing****Table 26.7 Bus Timing (1)**

Conditions:  $V_{CC} = 3.0\text{ V to }3.6\text{ V}$ ,  $AV_{CC} = 3.0\text{ V to }3.6\text{ V}$ ,  $V_{ref} = 3.0\text{ V to }AV_{CC}$ ,  $V_{SS} = AV_{SS} = 0\text{ V}$ ,  $\phi = 8\text{ MHz to }33\text{ MHz}$ ,  $T_a = -20^\circ\text{C to }+75^\circ\text{C}$  (regular specifications),  
 $T_a = -40^\circ\text{C to }+85^\circ\text{C}$  (wide-range specifications)

| Item                            | Symbol     | Min.                      | Max.                      | Unit | Test Conditions       |
|---------------------------------|------------|---------------------------|---------------------------|------|-----------------------|
| Address delay time              | $T_{AD}$   | —                         | 20                        | ns   | Figures 26.7 to 26.22 |
| Address setup time 1            | $T_{AS1}$  | $0.5 \times t_{cyc} - 13$ | —                         | ns   |                       |
| Address setup time 2            | $T_{AS2}$  | $1.0 \times t_{cyc} - 13$ | —                         | ns   |                       |
| Address setup time 3            | $T_{AS3}$  | $1.5 \times t_{cyc} - 13$ | —                         | ns   |                       |
| Address setup time 4            | $T_{AS4}$  | $2.0 \times t_{cyc} - 13$ | —                         | ns   |                       |
| Address hold time 1             | $T_{AH1}$  | $0.5 \times t_{cyc} - 8$  | —                         | ns   |                       |
| Address hold time 2             | $T_{AH2}$  | $1.0 \times t_{cyc} - 8$  | —                         | ns   |                       |
| Address hold time 3             | $T_{AH3}$  | $1.5 \times t_{cyc} - 8$  | —                         | ns   |                       |
| $\overline{CS}$ delay time 1    | $t_{CSD1}$ | —                         | 15                        | ns   |                       |
| $\overline{CS}$ delay time 2    | $t_{CSD2}$ | —                         | 15                        | ns   |                       |
| $\overline{CS}$ delay time 3    | $t_{CSD3}$ | —                         | 20                        | ns   |                       |
| $\overline{AS}$ delay time      | $T_{ASD}$  | —                         | 15                        | ns   |                       |
| $\overline{RD}$ delay time 1    | $t_{RSD1}$ | —                         | 15                        | ns   |                       |
| $\overline{RD}$ delay time 2    | $t_{RSD2}$ | —                         | 15                        | ns   |                       |
| Read data setup time 1          | $t_{RDS1}$ | 15                        | —                         | ns   |                       |
| Read data setup time 2          | $t_{RDS2}$ | 15                        | —                         | ns   |                       |
| Read data hold time 1           | $t_{RDH1}$ | 0                         | —                         | ns   |                       |
| Read data hold time 2           | $t_{RDH2}$ | 0                         | —                         | ns   |                       |
| Read data access time 1         | $T_{AC1}$  | —                         | $1.0 \times t_{cyc} - 20$ | ns   |                       |
| Read data access time 2         | $T_{AC2}$  | —                         | $1.5 \times t_{cyc} - 20$ | ns   |                       |
| Read data access time 3         | $T_{AC3}$  | —                         | $2.0 \times t_{cyc} - 20$ | ns   |                       |
| Read data access time 4         | $T_{AC4}$  | —                         | $2.5 \times t_{cyc} - 20$ | ns   |                       |
| Read data access time 5         | $T_{AC5}$  | —                         | $1.0 \times t_{cyc} - 20$ | ns   |                       |
| Read data access time 6         | $T_{AC6}$  | —                         | $2.0 \times t_{cyc} - 20$ | ns   |                       |
| Read data access time 7         | $T_{AC7}$  | —                         | $4.0 \times t_{cyc} - 20$ | ns   |                       |
| Read data access time 8         | $T_{AC8}$  | —                         | $3.0 \times t_{cyc} - 20$ | ns   |                       |
| Address read data access time 1 | $T_{AA1}$  | —                         | $1.0 \times t_{cyc} - 20$ | ns   |                       |
| Address read data access time 2 | $T_{AA2}$  | —                         | $1.5 \times t_{cyc} - 20$ | ns   |                       |
| Address read data access time 3 | $T_{AA3}$  | —                         | $2.0 \times t_{cyc} - 20$ | ns   |                       |
| Address read data access time 4 | $T_{AA4}$  | —                         | $2.5 \times t_{cyc} - 20$ | ns   |                       |
| Address read data access time 5 | $T_{AA5}$  | —                         | $3.0 \times t_{cyc} - 20$ | ns   |                       |

**Table 26.8 Bus Timing (2)**

Conditions:  $V_{CC} = 3.0\text{ V to }3.6\text{ V}$ ,  $AV_{CC} = 3.0\text{ V to }3.6\text{ V}$ ,  $V_{ref} = 3.0\text{ V to }AV_{CC}$ ,  $V_{SS} = AV_{SS} = 0\text{ V}$ ,  $\phi = 8\text{ MHz to }33\text{ MHz}$ ,  $T_a = -20^\circ\text{C to }+75^\circ\text{C}$  (regular specifications),  
 $T_a = -40^\circ\text{C to }+85^\circ\text{C}$  (wide-range specifications)

| Item                              | Symbol      | Min.                      | Max. | Unit | Test Conditions       |
|-----------------------------------|-------------|---------------------------|------|------|-----------------------|
| $\overline{WR}$ delay time 1      | $t_{WRD1}$  | —                         | 15   | ns   | Figures 26.7 to 26.22 |
| $\overline{WR}$ delay time 2      | $t_{WRD2}$  | —                         | 15   | ns   |                       |
| $\overline{WR}$ pulse width 1     | $t_{WSW1}$  | $1.0 \times t_{cyc} - 13$ | —    | ns   |                       |
| $\overline{WR}$ pulse width 2     | $t_{WSW2}$  | $1.5 \times t_{cyc} - 13$ | —    | ns   |                       |
| Write data delay time             | $t_{WDD}$   | —                         | 20   | ns   |                       |
| Write data setup time 1           | $t_{WDS1}$  | $0.5 \times t_{cyc} - 15$ | —    | ns   |                       |
| Write data setup time 2           | $t_{WDS2}$  | $1.0 \times t_{cyc} - 15$ | —    | ns   |                       |
| Write data setup time 3           | $t_{WDS3}$  | $1.5 \times t_{cyc} - 15$ | —    | ns   |                       |
| Write data hold time 1            | $t_{WDH1}$  | $0.5 \times t_{cyc} - 8$  | —    | ns   |                       |
| Write data hold time 2            | $t_{WDH2}$  | $1.0 \times t_{cyc} - 8$  | —    | ns   |                       |
| Write data hold time 3            | $t_{WDH3}$  | $1.5 \times t_{cyc} - 8$  | —    | ns   |                       |
| Write command setup time 1        | $t_{WCS1}$  | $0.5 \times t_{cyc} - 10$ | —    | ns   |                       |
| Write command setup time 2        | $t_{WCS2}$  | $1.0 \times t_{cyc} - 10$ | —    | ns   |                       |
| Write command hold time 1         | $t_{WCH1}$  | $0.5 \times t_{cyc} - 10$ | —    | ns   |                       |
| Write command hold time 2         | $t_{WCH2}$  | $1.0 \times t_{cyc} - 10$ | —    | ns   |                       |
| Read command setup time 1         | $t_{RCS1}$  | $1.5 \times t_{cyc} - 10$ | —    | ns   |                       |
| Read command setup time 2         | $t_{RCS2}$  | $2.0 \times t_{cyc} - 10$ | —    | ns   |                       |
| Read command hold time            | $t_{RCH}$   | $0.5 \times t_{cyc} - 10$ | —    | ns   |                       |
| $\overline{CAS}$ delay time 1     | $t_{CASD1}$ | —                         | 15   | ns   |                       |
| $\overline{CAS}$ delay time 2     | $t_{CASD2}$ | —                         | 15   | ns   |                       |
| $\overline{CAS}$ setup time 1     | $t_{CSR1}$  | $0.5 \times t_{cyc} - 10$ | —    | ns   |                       |
| $\overline{CAS}$ setup time 2     | $t_{CSR2}$  | $1.5 \times t_{cyc} - 10$ | —    | ns   |                       |
| $\overline{CAS}$ pulse width 1    | $t_{CASW1}$ | $1.0 \times t_{cyc} - 20$ | —    | ns   |                       |
| $\overline{CAS}$ pulse width 2    | $t_{CASW2}$ | $1.5 \times t_{cyc} - 20$ | —    | ns   |                       |
| $\overline{CAS}$ precharge time 1 | $t_{CPW1}$  | $1.0 \times t_{cyc} - 20$ | —    | ns   |                       |
| $\overline{CAS}$ precharge time 2 | $t_{CPW2}$  | $1.5 \times t_{cyc} - 20$ | —    | ns   |                       |
| $\overline{OE}$ delay time 1      | $t_{OED1}$  | —                         | 15   | ns   |                       |
| $\overline{OE}$ delay time 2      | $t_{OED2}$  | —                         | 15   | ns   |                       |
| Precharge time 1                  | $t_{PCH1}$  | $1.0 \times t_{cyc} - 20$ | —    | ns   |                       |
| Precharge time 2                  | $t_{PCH2}$  | $1.5 \times t_{cyc} - 20$ | —    | ns   |                       |

| Item                          | Symbol      | Min.                      | Max. | Unit | Test Conditions         |
|-------------------------------|-------------|---------------------------|------|------|-------------------------|
| Self-refresh precharge time 1 | $t_{RPS1}$  | $2.5 \times t_{cyc} - 20$ | —    | ns   | Figures 26.21 and 26.22 |
| Self-refresh precharge time 2 | $t_{RPS2}$  | $3.0 \times t_{cyc} - 20$ | —    | ns   |                         |
| WAIT setup time               | $t_{WTS}$   | 25                        | —    | ns   | Figures 26.9 and 26.15  |
| WAIT hold time                | $t_{WTH}$   | 5                         | —    | ns   |                         |
| BREQ setup time               | $t_{BREQS}$ | 30                        | —    | ns   | Figure 26.23            |
| BACK delay time               | $t_{BACD}$  | —                         | 15   | ns   |                         |
| Bus floating time             | $t_{BZD}$   | —                         | 40   | ns   |                         |
| BREQO delay time              | $t_{BRQOD}$ | —                         | 25   | ns   | Figure 26.24            |
| Address delay time 2          | $t_{AD2}$   | —                         | 16.5 | ns   | Figure 26.25            |
| CS delay time 4               | $t_{CSD4}$  | —                         | 16.5 | ns   | Figure 26.25            |
| DQM delay time                | $t_{DQMD}$  | —                         | 16.5 | ns   | Figure 26.25            |
| CKE delay time                | $t_{CKED}$  | —                         | 16.5 | ns   | Figures 26.26 and 26.27 |
| Read data setup time 3        | $t_{RDS3}$  | 15                        | —    | ns   | Figure 26.25            |
| Read data hold time 3         | $t_{RDH3}$  | 0                         | —    | ns   | Figure 26.25            |
| Write data delay time 2       | $t_{WDD}$   | —                         | 31.5 | ns   | Figure 26.25            |
| Write data hold time 4        | $t_{WDH4}$  | 2                         | —    | ns   | Figure 26.25            |

**(4) DMAC and EXDMAC Timing****Table 26.9 DMAC and EXDMAC Timing**

Conditions:  $V_{CC} = 3.0\text{ V to }3.6\text{ V}$ ,  $AV_{CC} = 3.0\text{ V to }3.6\text{ V}$ ,  $V_{ref} = 3.0\text{ V to }AV_{CC}$ ,  $V_{SS} = AV_{SS} = 0\text{ V}$ ,  $\phi = 8\text{ MHz to }33\text{ MHz}$ ,  $T_a = -20^\circ\text{C to }+75^\circ\text{C}$  (regular specifications),  
 $T_a = -40^\circ\text{C to }+85^\circ\text{C}$  (wide-range specifications)

| Item                             | Symbol       | Min. | Max. | Unit | Test Conditions         |
|----------------------------------|--------------|------|------|------|-------------------------|
| $\overline{DREQ}$ setup time     | $t_{DRQS}$   | 25   | —    | ns   | Figure 26.31            |
| $\overline{DREQ}$ hold time      | $t_{DRQH}$   | 10   | —    |      |                         |
| $\overline{TEND}$ delay time     | $t_{TED}$    | —    | 18   | ns   | Figure 26.30            |
| $\overline{DACK}$ delay time 1   | $t_{DACD1}$  | —    | 18   |      | Figures 26.28 and 26.29 |
| $\overline{DACK}$ delay time 2   | $t_{DACD2}$  | —    | 18   |      |                         |
| $\overline{EDREQ}$ setup time*   | $t_{EDRQS}$  | 25   | —    | ns   | Figure 26.31            |
| $\overline{EDREQ}$ hold time*    | $t_{EDRQH}$  | 10   | —    |      |                         |
| $\overline{ETEND}$ delay time*   | $t_{ETED}$   | —    | 18   | ns   | Figure 26.30            |
| $\overline{EDACK}$ delay time 1* | $t_{EDACD1}$ | —    | 18   |      | Figures 26.28 and 26.29 |
| $\overline{EDACK}$ delay time 2* | $t_{EDACD2}$ | —    | 18   |      |                         |
| $\overline{EDRAK}$ delay time*   | $t_{EDRKD}$  | —    | 18   | ns   | Figure 26.32            |

Note: \* Not supported by the H8S/2375R, H8S/2375, H8S/2373R, and H8S/2373.

## (5) Timing of On-Chip Peripheral Modules

**Table 26.10 Timing of On-Chip Peripheral Modules**

Conditions:  $V_{CC} = 3.0\text{ V to }3.6\text{ V}$ ,  $AV_{CC} = 3.0\text{ V to }3.6\text{ V}$ ,  $V_{ref} = 3.0\text{ V to }AV_{CC}$ ,  $V_{SS} = AV_{SS} = 0\text{ V}$ ,  $\phi = 8\text{ MHz to }33\text{ MHz}$ ,  $T_a = -20^\circ\text{C to }+75^\circ\text{C}$  (regular specifications),  
 $T_a = -40^\circ\text{C to }+85^\circ\text{C}$  (wide-range specifications)

| Item                                 |                                       | Symbol                    | Min.        | Max. | Unit       | Test Conditions |              |
|--------------------------------------|---------------------------------------|---------------------------|-------------|------|------------|-----------------|--------------|
| I/O ports                            | Output data delay time                | $t_{PWD}$                 | —           | 40   | ns         | Figure 26.33    |              |
|                                      | Input data setup time                 | $t_{PRS}$                 | 25          | —    | ns         |                 |              |
|                                      | Input data hold time                  | $t_{PRH}$                 | 25          | —    | ns         |                 |              |
| PPG                                  | Pulse output delay time               | $t_{POD}$                 | —           | 40   | ns         | Figure 26.34    |              |
| TPU                                  | Timer output delay time               | $t_{TOCD}$                | —           | 40   | ns         | Figure 26.35    |              |
|                                      | Timer input setup time                | $t_{TICS}$                | 25          | —    | ns         |                 |              |
|                                      | Timer clock input setup time          | $t_{TCKS}$                | 25          | —    | ns         | Figure 26.36    |              |
|                                      | Timer clock pulse width specification | Single-edge specification | $t_{TCKWH}$ | 1.5  | —          | $t_{cyc}$       |              |
| Both-edge specification              |                                       | $t_{TCKWL}$               | 2.5         | —    | $t_{cyc}$  |                 |              |
| 8-bit timer                          | Timer output delay time               | $t_{TMOD}$                | —           | 40   | ns         | Figure 26.37    |              |
|                                      | Timer reset input setup time          | $t_{TMRS}$                | 25          | —    | ns         | Figure 26.39    |              |
|                                      | Timer clock input setup time          | $t_{TMCS}$                | 25          | —    | ns         | Figure 26.38    |              |
|                                      | Timer clock pulse width specification | Single-edge specification | $t_{TMCWH}$ | 1.5  | —          | $t_{cyc}$       |              |
| Both-edge specification              |                                       | $t_{TMCWL}$               | 2.5         | —    | $t_{cyc}$  |                 |              |
| WDT                                  | Overflow output delay time            | $t_{WOVD}$                | —           | 40   | ns         | Figure 26.40    |              |
| SCI                                  | Input clock cycle                     | Asynchronous              | $t_{Scyc}$  | 4    | —          | $t_{cyc}$       | Figure 26.41 |
|                                      |                                       | Synchronous               |             | 6    | —          |                 |              |
|                                      | Input clock pulse width               | $t_{SCKW}$                | 0.4         | 0.6  | $t_{Scyc}$ |                 |              |
|                                      | Input clock rising time               | $t_{SCKr}$                | —           | 1.5  | $t_{cyc}$  |                 |              |
|                                      | Input clock falling time              | $t_{SCKf}$                | —           | 1.5  |            |                 |              |
|                                      | Transmit data delay time              | $t_{TXD}$                 | —           | 40   | ns         | Figure 26.42    |              |
|                                      | Receive data setup time (synchronous) | $t_{RXS}$                 | 40          | —    | ns         |                 |              |
| Receive data hold time (synchronous) | $t_{RXH}$                             | 40                        | —           | ns   |            |                 |              |

| Item          |   | Symbol     | Min.               | Max.        | Unit | Test Conditions |
|---------------|---|------------|--------------------|-------------|------|-----------------|
| A/D converter | Trigger input setup time                    | $t_{TRGS}$ | 30                 | —           | ns   | Figure 26.43    |
| IIC2          | SCL input cycle time                        | $t_{SCL}$  | $12 t_{CYC} + 600$ | —           | ns   | Figure 26.44    |
|               | SCL input high pulse width                  | $t_{SCLH}$ | $3 t_{CYC} + 300$  | —           | ns   |                 |
|               | SCL input low pulse width                   | $t_{SCLL}$ | $5 t_{CYC} + 300$  | —           | ns   |                 |
|               | SCL, SDA Input falling time                 | $t_{Sf}$   | —                  | 300         | ns   |                 |
|               | SCL, SDA Input spike pulse removal time     | $t_{SP}$   | —                  | $1 t_{CYC}$ | ns   |                 |
|               | SDA input bus free time                     | $t_{BUF}$  | $5 t_{CYC}$        | —           | ns   |                 |
|               | Start condition input hold time             | $t_{STAH}$ | $3 t_{CYC}$        | —           | ns   |                 |
|               | Retransmit start condition input setup time | $t_{STAS}$ | $3 t_{CYC}$        | —           | ns   |                 |
|               | Stop condition input setup time             | $t_{STOS}$ | $1 t_{CYC} + 20$   | —           | ns   |                 |
|               | Data input setup time                       | $t_{SDAS}$ | 0                  | —           | ns   |                 |
|               | Data input hold time                        | $t_{SDAH}$ | 0                  | —           | ns   |                 |
|               | SCL, SDA capacitive load                    | $C_b$      | —                  | 400         | pF   |                 |
|               | SCL, SDA falling time                       | $t_{Sf}$   | —                  | 300         | ns   |                 |

### 26.1.4 A/D Conversion Characteristics

**Table 26.11 A/D Conversion Characteristics**

Conditions:  $V_{CC} = 3.0\text{ V to }3.6\text{ V}$ ,  $AV_{CC} = 3.0\text{ V to }3.6\text{ V}$ ,  $V_{ref} = 3.0\text{ V to }AV_{CC}$ ,  $V_{SS} = AV_{SS} = 0\text{ V}$ ,  $\phi = 8\text{ MHz to }33\text{ MHz}$ ,  $T_a = -20^\circ\text{C to }+75^\circ\text{C}$  (regular specifications),  
 $T_a = -40^\circ\text{C to }+85^\circ\text{C}$  (wide-range specifications)

| Item                                | Min. | Typ. | Max.      | Unit          |
|-------------------------------------|------|------|-----------|---------------|
| Resolution                          | 10   | 10   | 10        | Bit           |
| Conversion time                     | 8.1  | —    | —         | $\mu\text{s}$ |
| Analog input capacitance            | —    | —    | 20        | pF            |
| Permissible signal source impedance | —    | —    | 5         | k $\Omega$    |
| Nonlinearity error                  | —    | —    | $\pm 5.5$ | LSB           |
| Offset error                        | —    | —    | $\pm 5.5$ | LSB           |
| Full-scale error                    | —    | —    | $\pm 5.5$ | LSB           |
| Quantization error                  | —    | —    | $\pm 0.5$ | LSB           |
| Absolute accuracy                   | —    | —    | $\pm 6.0$ | LSB           |

### 26.1.5 D/A Conversion Characteristics

**Table 26.12 D/A Conversion Characteristics**

Conditions:  $V_{CC} = 3.0\text{ V to }3.6\text{ V}$ ,  $AV_{CC} = 3.0\text{ V to }3.6\text{ V}$ ,  $V_{ref} = 3.0\text{ V to }AV_{CC}$ ,  $V_{SS} = AV_{SS} = 0\text{ V}$ ,  $\phi = 8\text{ MHz to }33\text{ MHz}$ ,  $T_a = -20^\circ\text{C to }+75^\circ\text{C}$  (regular specifications),  
 $T_a = -40^\circ\text{C to }+85^\circ\text{C}$  (wide-range specifications)

| Item              | Min. | Typ.      | Max.      | Unit          | Test Conditions             |
|-------------------|------|-----------|-----------|---------------|-----------------------------|
| Resolution        | 8    | 8         | 8         | Bit           |                             |
| Conversion time   | —    | —         | 10        | $\mu\text{s}$ | 20 pF capacitive load       |
| Absolute accuracy | —    | $\pm 2.0$ | $\pm 3.0$ | LSB           | 2 M $\Omega$ resistive load |
|                   | —    | —         | $\pm 2.0$ | LSB           | 4 M $\Omega$ resistive load |



## 26.1.6 Flash Memory Characteristics

Table 26.13 Flash Memory Characteristics (0.35- $\mu$ m F-ZTAT Version)

Conditions:  $V_{CC} = 3.0\text{ V to }3.6\text{ V}$ ,  $AV_{CC} = 3.0\text{ V to }3.6\text{ V}$ ,  $V_{ref} = 3.0\text{ V to }AV_{CC}$ ,  
 $V_{SS} = AV_{SS} = 0\text{ V}$ ,  $T_a = 0^\circ\text{C to }75^\circ\text{C}$  (program/erase operating temperature range:  
 regular specifications),  $T_a = 0^\circ\text{C to }85^\circ\text{C}$  (program/erase operating temperature  
 range: wide-range specifications)

| Item   | Symbol   | Min.  | Typ.                | Max. | Unit               | Test Conditions |                 |                             |
|--|--|---|---------------------|------|--------------------|-----------------|-----------------|-----------------------------|
| Programming time <sup>*1 *2 *4</sup>           | $t_P$  | —   | 10                  | 200  | ms/<br>128 bytes   |                 |                 |                             |
| Erase time <sup>*1 *3 *6</sup>                 | $t_E$  | —   | 50                  | 1000 | ms/blocks          |                 |                 |                             |
| Rewrites                                       | $N_{WEC}$                                      | 100 <sup>*7</sup>                             | 10000 <sup>*8</sup> | —    | Times              |                 |                 |                             |
| Data retention time                            | $t_{DRP}$                                      | 10 <sup>*9</sup>                              | —                   | —    | Years              |                 |                 |                             |
| Programming                                    | Wait time after SWE bit setting <sup>*1</sup>  | x   | 1                   | —    | —                  | $\mu$ s         |                 |                             |
|  | Wait time after PSU bit setting <sup>*1</sup>  | y   | 50                  | —    | —                  | $\mu$ s         |                 |                             |
|  | Wait time after P bit setting <sup>*1 *4</sup> | z   | z1                  | —    | —                  | 30              | $\mu$ s         | $1 \leq n \leq 6$           |
|  |  |   | z2                  | —    | —                  | 200             | $\mu$ s         | $7 \leq n \leq 1000$        |
|  |  |   | z3                  | —    | —                  | 10              | $\mu$ s         | Additional programming wait |
|  | Wait time after P bit clearing <sup>*1</sup>   | $\alpha$                                      | 5                   | —    | —                  | $\mu$ s         |                 |                             |
|  | Wait time after PSU bit clearing <sup>*1</sup> | $\beta$                                       | 5                   | —    | —                  | $\mu$ s         |                 |                             |
|  | Wait time after PV bit setting <sup>*1</sup>   | $\gamma$                                      | 4                   | —    | —                  | $\mu$ s         |                 |                             |
|  | Wait time after H'FF dummy write <sup>*1</sup> | $\varepsilon$                                 | 2                   | —    | —                  | $\mu$ s         |                 |                             |
|  | Wait time after PV bit clearing <sup>*1</sup>  | $\eta$  | 2                   | —    | —                  | $\mu$ s         |                 |                             |
|  | Wait time after SWE bit clearing <sup>*1</sup> | $\theta$                                      | 100                 | —    | —                  | $\mu$ s         |                 |                             |
|  | Maximum number of programming <sup>*1 *4</sup> | N   | —                   | —    | 1000 <sup>*5</sup> | Times           |                 |                             |
|  | Erasing  | Wait time after SWE bit setting <sup>*1</sup> | x                   | 1    | —                  | —               | $\mu$ s         |                             |
| Wait time after ESU bit setting <sup>*1</sup>  |  | y   | 100                 | —    | —                  | $\mu$ s         |                 |                             |
| Wait time after E bit setting <sup>*1 *6</sup> |  | z   | —                   | —    | 10                 | $\mu$ s         | Erase time wait |                             |
| Wait time after E bit clearing <sup>*1</sup>   |  | $\alpha$                                      | 10                  | —    | —                  | $\mu$ s         |                 |                             |
| Wait time after ESU bit clearing <sup>*1</sup> |  | $\beta$                                       | 10                  | —    | —                  | $\mu$ s         |                 |                             |
| Wait time after EV bit setting <sup>*1</sup>   |  | $\gamma$                                      | 20                  | —    | —                  | $\mu$ s         |                 |                             |
| Wait time after H'FF dummy write <sup>*1</sup> |  | $\varepsilon$                                 | 2                   | —    | —                  | $\mu$ s         |                 |                             |
| Wait time after EV bit clearing <sup>*1</sup>  |  | $\eta$  | 4                   | —    | —                  | $\mu$ s         |                 |                             |
| Wait time after SWE bit clearing <sup>*1</sup> |  | $\theta$                                      | 100                 | —    | —                  | $\mu$ s         |                 |                             |
| Maximum number of erases <sup>*1 *6</sup>      |  | N   | —                   | —    | 100                | Times           |                 |                             |

- Notes:
- Follow the program/erase algorithms when making the time settings.
  - Programming time per 128 bytes. (Indicates the total time during which the P bit is set in flash memory control register 1 (FLMCR1). Does not include the program-verify time.)
  - Time to erase one block. (Indicates the time during which the E bit is set in FLMCR1. Does not include the erase-verify time.)
  - Maximum programming time
 
$$t_P(\max) = \sum_{i=1}^N \text{wait time after P bit setting (z)}$$
  - The maximum number of programming (N) should be set as shown below according to the actual set value of (z) so as not to exceed the maximum programming time ( $t_P(\max)$ ).  
The wait time after P bit setting (z) should be changed as follows according to the number of programming (n).  
Number of programming (n)
 

|                      |                       |
|----------------------|-----------------------|
| $1 \leq n \leq 6$    | $z = 30 \mu\text{s}$  |
| $7 \leq n \leq 1000$ | $z = 200 \mu\text{s}$ |

 (Additional programming)  
Number of programming (n)
 

|                   |                      |
|-------------------|----------------------|
| $1 \leq n \leq 6$ | $z = 10 \mu\text{s}$ |
|-------------------|----------------------|
  - For the maximum erase time ( $t_E(\max)$ ), the following relationship applies between the wait time after E bit setting (z) and the maximum number of erases (N):
 
$$t_E(\max) = \text{Wait time after E bit setting (z)} \times \text{maximum number of erases (N)}$$
  - The minimum number of rewrites after which all characteristics are guaranteed. (Characteristics are guaranteed over a range of one rewrite to the minimum number of rewrites.)
  - Reference value for 25°C. (Rewrites usually function up to this standard value.)
  - The data retention characteristics within the specification range, including the minimum number of rewrites.

### 26.1.7 Usage Note

The F-ZTAT and masked ROM versions both satisfy the electrical characteristics shown in this manual, but actual electrical characteristic values, operating margins, noise margins, and other properties may vary due to differences in manufacturing process, on-chip ROM, layout patterns, and so on.

When system evaluation testing is carried out using the F-ZTAT version, the same evaluation testing should also be conducted for the masked ROM version when changing over to that version.

## 26.2 Electrical Characteristics for H8S/2378

### 26.2.1 Absolute Maximum Ratings

Table 26.14 lists the absolute maximum ratings.

**Table 26.14 Absolute Maximum Ratings**

| Item                                 | Symbol                   | Value                                     | Unit |
|--------------------------------------|--------------------------|---|------|
| Power supply voltage                 | $V_{CC}$<br>$PLL V_{CC}$ | -0.3 to +4.3                              | V    |
| Input voltage (except ports 4 and 9) | $V_{in}$                 | -0.3 to $V_{CC} + 0.3$                    | V    |
| Input voltage (ports 4 and 9)        | $V_{in}$                 | -0.3 to $AV_{CC} + 0.3$                   | V    |
| Reference power supply voltage       | $V_{ref}$                | -0.3 to $AV_{CC} + 0.3$                   | V    |
| Analog power supply voltage          | $AV_{CC}$                | -0.3 to +4.0                              | V    |
| Analog input voltage                 | $V_{AN}$                 | -0.3 to $AV_{CC} + 0.3$                   | V    |
| Operating temperature                | $T_{opr}$                | Regular specifications:<br>-20 to +75*    | °C   |
|                                      |                          | Wide-range specifications:<br>-40 to +85* | °C   |
| Storage temperature                  | $T_{stg}$                | -55 to +125                               | °C   |

Caution: Permanent damage to the LSI may result if absolute maximum ratings are exceeded.

Note: \* Ranges of operating temperature when flash memory is programmed/erased:  
 Regular specifications: 0 to +75°C  
 Wide-range specifications: 0 to +85°C

## 26.2.2 DC Characteristics

Table 26.15 DC Characteristics

Conditions:  $V_{CC} = 3.0\text{ V to }3.6\text{ V}$ ,  $AV_{CC} = 3.0\text{ V to }3.6\text{ V}$ ,  $V_{ref} = 3.0\text{ V to }AV_{CC}$ ,  
 $V_{SS} = AV_{SS} = 0\text{ V}^{*1}$ ,  $T_a = -20^\circ\text{C to }+75^\circ\text{C}$  (regular specifications),  
 $T_a = -40^\circ\text{C to }+85^\circ\text{C}$  (wide-range specifications)

| Item                          | Symbol  | Min.          | Typ.                 | Max. | Unit                | Test Conditions |                              |
|-------------------------------|---|---------------|----------------------|------|---------------------|-----------------|------------------------------|
| Schmitt trigger input voltage | Port 1, port 2, P50 to P53 <sup>*2</sup> , port 6 <sup>*2</sup> , port 8 <sup>*2</sup> , PA4 to PA7 <sup>*2</sup> , PF1 <sup>*2</sup> , PF2 <sup>*2</sup> , PH2 <sup>*2</sup> , PH3 <sup>*2</sup> | $VT^-$        | $V_{CC} \times 0.2$  | —    | —                   | V               |                              |
|                               |   | $VT^+$        | —                    | —    | $V_{CC} \times 0.7$ | V               |                              |
|                               |   | $VT^+ - VT^-$ | $V_{CC} \times 0.07$ | —    | —                   | V               |                              |
| Input high voltage            | $\overline{STBY}$ , MD2 to MD0  | $V_{IH}$      | $V_{CC} \times 0.9$  | —    | $V_{CC} + 0.3$      | V               |                              |
|                               | $\overline{RES}$ , NMI, EMLE  |               | $V_{CC} \times 0.9$  | —    | $V_{CC} + 0.3$      | V               |                              |
|                               | EXTAL   |               | $V_{CC} \times 0.7$  | —    | $V_{CC} + 0.3$      | V               |                              |
|                               | Port 3, P50 to P53 <sup>*3</sup> , ports 6 <sup>*3</sup> and 8 <sup>*3</sup> , ports A to H <sup>*3</sup>   |               | 2.2                  | —    | $V_{CC} + 0.3$      | V               |                              |
|                               | Port 4, Port 9  |               | 2.2                  | —    | $AV_{CC} + 0.3$     | V               |                              |
| Input low voltage             | $\overline{RES}$ , $\overline{STBY}$ , MD2 to MD0, EMLE   | $V_{IL}$      | -0.3                 | —    | $V_{CC} \times 0.1$ | V               |                              |
|                               | NMI, EXTAL  |               | -0.3                 | —    | $V_{CC} \times 0.2$ | V               |                              |
|                               | Ports 3 to 6 <sup>*3</sup> , Port 8 <sup>*3</sup> , ports A to H <sup>*3</sup> , port 9   |               | -0.3                 | —    | $V_{CC} \times 0.2$ | V               |                              |
|                               |   |               |                      |      |                     |                 |                              |
| Output high voltage           | All output pins   | $V_{OH}$      | $V_{CC} - 0.5$       | —    | —                   | V               | $I_{OH} = -200\ \mu\text{A}$ |
|                               |   |               | $V_{CC} - 1.0$       | —    | —                   | V               | $I_{OH} = -1\ \text{mA}$     |
| Output low voltage            | All output pins   | $V_{OL}$      | —                    | —    | 0.4                 | V               | $I_{OL} = 1.6\ \text{mA}$    |
|                               |   |               | —                    | —    | 0.5                 | V               | $I_{OL} = 8.0\ \text{mA}$    |
|                               | P32 to P35 <sup>*4</sup>  |               |                      |      |                     |                 |                              |

Notes: 1. When the A/D and D/A converters are not used, the  $AV_{CC}$ ,  $V_{ref}$ , and  $AV_{SS}$  pins should not be open. Connect the  $AV_{CC}$  and  $V_{ref}$  pins to  $V_{CC}$ , and the  $AV_{SS}$  pin to  $V_{SS}$ .

2. When used as  $\overline{IRQ0}$  to  $\overline{IRQ15}$ .

3. When used as other than  $\overline{IRQ0}$  to  $\overline{IRQ15}$ .

4. When used as SCL0, SCL1, SDA0, and SDA1.

**Table 26.16 DC Characteristics**

Conditions:  $V_{CC} = 3.0\text{ V to }3.6\text{ V}$ ,  $AV_{CC} = 3.0\text{ V to }3.6\text{ V}$ ,  $V_{ref} = 3.0\text{ V to }AV_{CC}$ ,  
 $V_{SS} = AV_{SS} = 0\text{ V}^{*1}$ ,  $T_a = -20^\circ\text{C to }+75^\circ\text{C}$  (regular specifications),  
 $T_a = -40^\circ\text{C to }+85^\circ\text{C}$  (wide-range specifications)

| Item                                    | Symbol  | Min.          | Typ. | Max.        | Unit | Test Conditions   |
|---|---|---------------|------|-------------|------|---|
| Input leakage current                   | $\overline{\text{RES}}$                               | $ I_{in} $    | —    | —           | 10.0 | $\mu\text{A}$<br>$V_{in} = 0.5\text{ to }V_{CC} - 0.5\text{ V}$                 |
|   | $\overline{\text{STBY}}$ , NMI,<br>MD2 to MD0         |               | —    | —           | 1.0  | $\mu\text{A}$   |
|   | Port 4, Port 9  |               | —    | —           | 1.0  | $\mu\text{A}$<br>$V_{in} = 0.5\text{ to }AV_{CC} - 0.5\text{ V}$                |
| Three-state leakage current (off state) | Ports 1 to 3, P50 to P53, ports 6 and 8, ports A to H | $ I_{TSI} $   | —    | —           | 1.0  | $\mu\text{A}$<br>$V_{in} = 0.5\text{ to }V_{CC} - 0.5\text{ V}$                 |
| Input pull-up MOS current               | Ports A to E  | $-I_p$        | 10   | —           | 300  | $\mu\text{A}$<br>$V_{CC} = 3.0\text{ to }3.6\text{ V}$<br>$V_{in} = 0\text{ V}$ |
| Input capacitance                       | $\overline{\text{RES}}$                               | $C_{in}$      | —    | —           | 30   | $\text{pF}$<br>$V_{in} = 0\text{ V}$  |
|   | NMI   |               | —    | —           | 30   | $\text{pF}$<br>$f = 1\text{ MHz}$   |
|   | All input pins except $\overline{\text{RES}}$ and NMI |               | —    | —           | 15   | $\text{pF}$<br>$T_a = 25^\circ\text{C}$   |
| Current consumption <sup>*2</sup>       | Normal operation                                      | $I_{CC}^{*4}$ | —    | 40 (3.3 V)  | 60   | $\text{mA}$<br>$f = 35\text{ MHz}$  |
|   | Sleep mode  |               | —    | 20 (3.3 V)  | 40   | $\text{mA}$<br>$f = 35\text{ MHz}$  |
|   | Standby mode <sup>*3</sup>                            |               | —    | 5           | 20   | $\mu\text{A}$<br>$T_a \leq 50^\circ\text{C}$                                    |
|   |   |               | —    | —           | 80   | $\mu\text{A}$<br>$50^\circ\text{C} < T_a$                                       |
| Analog power supply current             | During A/D and D/A conversion                         | $AI_{CC}$     | —    | 0.5 (3.0 V) | 2.0  | $\text{mA}$   |
|   | Idle  |               | —    | 0.01        | 5.0  | $\mu\text{A}$   |
| Reference power supply current          | During A/D and D/A conversion                         | $AI_{CC}$     | —    | 3.0 (3.0 V) | 6.0  | $\text{mA}$   |
|   | Idle  |               | —    | 0.01        | 5.0  | $\mu\text{A}$   |

| Item                                 | Symbol        | Min. | Typ. | Max. | Unit | Test Conditions |
|--------------------------------------|---------------|------|------|------|------|-----------------|
| RAM standby voltage                  | $V_{RAM}$     | 2.5  | —    | —    | V    |                 |
| $V_{CC}$ start voltage* <sup>5</sup> | $V_{CCstart}$ | —    | —    | 0.8  | V    |                 |
| $V_{CC}$ rise slope* <sup>5</sup>    | $SV_{CC}$     | —    | —    | 20   | ms/V |                 |

Notes: 1. When the A/D and D/A converters are not used, the  $AV_{CC}$ ,  $V_{ref}$ , and  $AV_{SS}$  pins should not be open. Connect the  $AV_{CC}$  and  $V_{ref}$  pins to  $V_{CC}$ , and the  $AV_{SS}$  pin to  $V_{SS}$ .

2. Current consumption values are for  $V_{IHmin} = V_{CC} - 0.2$  V and  $V_{ILmax} = 0.2$  V with all output pins unloaded and all input pull-up MOSs in the off state.

3. The values are for  $V_{RAM} \leq V_{CC} < 3.0$  V,  $V_{IHmin} = V_{CC} \times 0.9$ , and  $V_{ILmax} = 0.3$  V.

4.  $I_{CC}$  depends on  $V_{CC}$  and  $f$  as follows:

$$I_{CCmax} = 15 \text{ (mA)} + 0.37 \text{ (mA/(MHz} \times \text{V))} \times V_{CC} \times f \text{ (normal operation)}$$

$$I_{CCmax} = 15 \text{ (mA)} + 0.20 \text{ (mA/(MHz} \times \text{V))} \times V_{CC} \times f \text{ (sleep mode)}$$

5. Applies when  $\overline{RES}$  pin is low level at power-on.

**Table 26.17 Permissible Output Currents**

Conditions:  $V_{CC} = 3.0$  V to 3.6 V,  $AV_{CC} = 3.0$  V to 3.6 V,  $V_{ref} = 3.0$  V to  $AV_{CC}$ ,

$V_{SS} = AV_{SS} = 0$  V\*,  $T_a = -20^\circ\text{C}$  to  $+75^\circ\text{C}$  (regular specifications),

$T_a = -40^\circ\text{C}$  to  $+85^\circ\text{C}$  (wide-range specifications)

| Item                                      |                                  | Symbol           | Min. | Typ. | Max. | Unit |
|---|----------------------------------|------------------|------|------|------|------|
| Permissible output low current (per pin)  | SCL0, 1, SDA0, 1                 | $I_{OL}$         | —    | —    | 8.0  | mA   |
|   | Output pins other than the above |                  | —    | —    | 2.0  |      |
| Permissible output low current (total)    | Total of all output pins         | $\Sigma I_{OL}$  | —    | —    | 80   | mA   |
| Permissible output high current (per pin) | All output pins                  | $-I_{OH}$        | —    | —    | 2.0  | mA   |
| Permissible output high current (total)   | Total of all output pins         | $\Sigma -I_{OH}$ | —    | —    | 40   | mA   |

Caution: To protect the LSI's reliability, do not exceed the output current values in table 26.17.

Note: \* When the A/D and D/A converters are not used, do not leave the  $AV_{CC}$ ,  $V_{ref}$ , and  $AV_{SS}$  pins should not be open. Connect the  $AV_{CC}$  and  $V_{ref}$  pins to  $V_{CC}$ , and the  $AV_{SS}$  pin to  $V_{SS}$ .

### 26.2.3 AC Characteristics

The clock, control signal, bus, DMAC, EXDMAC, and on-chip peripheral function timings are shown below. The measurement conditions of the AC characteristics are shown in figure 26.1.

#### (1) Clock Timing

**Table 26.18 Clock Timing**

Conditions:  $V_{CC} = 3.0\text{ V to }3.6\text{ V}$ ,  $AV_{CC} = 3.0\text{ V to }3.6\text{ V}$ ,  $V_{ref} = 3.0\text{ V to }AV_{CC}$ ,  $V_{SS} = AV_{SS} = 0\text{ V}$ ,  $\phi = 8\text{ MHz to }35\text{ MHz}$ ,  $T_a = -20^\circ\text{C to }+75^\circ\text{C}$  (regular specifications),  
 $T_a = -40^\circ\text{C to }+85^\circ\text{C}$  (wide-range specifications)

| Item   | Symbol     | Min. | Max. | Unit | Test Conditions |
|--|------------|------|------|------|-----------------|
| Clock cycle time                                     | $t_{cyc}$  | 28.5 | 125  | ns   | Figure 26.2     |
| Clock pulse high width                               | $t_{CH}$   | 9    | —    | ns   | Figure 26.2     |
| Clock pulse low width                                | $t_{CL}$   | 9    | —    | ns   |                 |
| Clock rising time                                    | $t_{Cr}$   | —    | 5    | ns   |                 |
| Clock falling time                                   | $t_{Cf}$   | —    | 5    | ns   |                 |
| Reset oscillation settling time (crystal)            | $t_{OSC1}$ | 10   | —    | ms   | Figure 26.4(1)  |
| Software standby oscillation settling time (crystal) | $t_{OSC2}$ | 10   | —    | ms   | Figure 26.4(2)  |
| External clock output delay settling time            | $t_{DEXT}$ | 1    | —    | ms   | Figure 26.4(1)  |

**(2) Control Signal Timing****Table 26.19 Control Signal Timing**

Conditions:  $V_{CC} = 3.0\text{ V to }3.6\text{ V}$ ,  $AV_{CC} = 3.0\text{ V to }3.6\text{ V}$ ,  $V_{ref} = 3.0\text{ V to }AV_{CC}$ ,  $V_{SS} = AV_{SS} = 0\text{ V}$ ,  $\phi = 8\text{ MHz to }35\text{ MHz}$ ,  $T_a = -20^\circ\text{C to }+75^\circ\text{C}$  (regular specifications),  
 $T_a = -40^\circ\text{C to }+85^\circ\text{C}$  (wide-range specifications)

| Item   | Symbol            | Min. | Max. | Unit             | Test Conditions |
|--|-------------------|------|------|------------------|-----------------|
| $\overline{\text{RES}}$ setup time   | $t_{\text{RESS}}$ | 200  | —    | ns               | Figure 26.5     |
| $\overline{\text{RES}}$ pulse width  | $t_{\text{RESW}}$ | 20   | —    | $t_{\text{cyc}}$ |                 |
| NMI setup time   | $t_{\text{NMIS}}$ | 150  | —    | ns               | Figure 26.6     |
| NMI hold time  | $t_{\text{NMIH}}$ | 10   | —    |                  |                 |
| NMI pulse width (in recovery from software standby mode)                     | $t_{\text{NMIW}}$ | 200  | —    |                  |                 |
| $\overline{\text{IRQ}}$ setup time   | $t_{\text{IRQS}}$ | 150  | —    | ns               |                 |
| $\overline{\text{IRQ}}$ hold time  | $t_{\text{IRQH}}$ | 10   | —    |                  |                 |
| $\overline{\text{IRQ}}$ pulse width (in recovery from software standby mode) | $t_{\text{IRQW}}$ | 200  | —    |                  |                 |



**(3) Bus Timing****Table 26.20 Bus Timing (1)**

Conditions:  $V_{CC} = 3.0\text{ V to }3.6\text{ V}$ ,  $AV_{CC} = 3.0\text{ V to }3.6\text{ V}$ ,  $V_{ref} = 3.0\text{ V to }AV_{CC}$ ,  $V_{SS} = AV_{SS} = 0\text{ V}$ ,  $\phi = 8\text{ MHz to }35\text{ MHz}$ ,  $T_a = -20^\circ\text{C to }+75^\circ\text{C}$  (regular specifications),  
 $T_a = -40^\circ\text{C to }+85^\circ\text{C}$  (wide-range specifications)

| Item                         | Symbol     | Min.                      | Max.                      | Unit | Test Conditions              |
|------------------------------|------------|---------------------------|---------------------------|------|------------------------------|
| Address delay time           | $T_{AD}$   | —                         | 20                        | ns   | Figures 26.7 to 26.20, 26.25 |
| Address setup time 1         | $T_{AS1}$  | $0.5 \times t_{cyc} - 13$ | —                         | ns   |                              |
| Address setup time 2         | $T_{AS2}$  | $1.0 \times t_{cyc} - 13$ | —                         | ns   |                              |
| Address setup time 3         | $T_{AS3}$  | $1.5 \times t_{cyc} - 13$ | —                         | ns   |                              |
| Address setup time 4         | $T_{AS4}$  | $2.0 \times t_{cyc} - 13$ | —                         | ns   |                              |
| Address hold time 1          | $T_{AH1}$  | $0.5 \times t_{cyc} - 8$  | —                         | ns   |                              |
| Address hold time 2          | $T_{AH2}$  | $1.0 \times t_{cyc} - 8$  | —                         | ns   |                              |
| Address hold time 3          | $T_{AH3}$  | $1.5 \times t_{cyc} - 8$  | —                         | ns   |                              |
| $\overline{CS}$ delay time 1 | $t_{CSD1}$ | —                         | 15                        | ns   |                              |
| $\overline{CS}$ delay time 2 | $t_{CSD2}$ | —                         | 15                        | ns   |                              |
| $\overline{CS}$ delay time 3 | $t_{CSD3}$ | —                         | 20                        | ns   |                              |
| $\overline{AS}$ delay time   | $T_{ASD}$  | —                         | 15                        | ns   |                              |
| $\overline{RD}$ delay time 1 | $t_{RSD1}$ | —                         | 15                        | ns   |                              |
| $\overline{RD}$ delay time 2 | $t_{RSD2}$ | —                         | 15                        | ns   |                              |
| Read data setup time 1       | $t_{RDS1}$ | 15                        | —                         | ns   |                              |
| Read data setup time 2       | $t_{RDS2}$ | 15                        | —                         | ns   |                              |
| Read data hold time 1        | $t_{RDH1}$ | 0                         | —                         | ns   |                              |
| Read data hold time 2        | $t_{RDH2}$ | 0                         | —                         | ns   |                              |
| Read data access time 1      | $T_{AC1}$  | —                         | $1.0 \times t_{cyc} - 25$ | ns   |                              |
| Read data access time 2      | $T_{AC2}$  | —                         | $1.5 \times t_{cyc} - 25$ | ns   |                              |
| Read data access time 3      | $T_{AC3}$  | —                         | $2.0 \times t_{cyc} - 25$ | ns   |                              |
| Read data access time 4      | $T_{AC4}$  | —                         | $2.5 \times t_{cyc} - 25$ | ns   |                              |
| Read data access time 5      | $T_{AC5}$  | —                         | $1.0 \times t_{cyc} - 25$ | ns   |                              |
| Read data access time 6      | $T_{AC6}$  | —                         | $2.0 \times t_{cyc} - 25$ | ns   |                              |
| Read data access time 7      | $T_{AC7}$  | —                         | $4.0 \times t_{cyc} - 25$ | ns   |                              |
| Read data access time 8      | $T_{AC8}$  | —                         | $3.0 \times t_{cyc} - 25$ | ns   |                              |

| Item                            | Symbol    | Min. | Max.                      | Unit | Test Conditions              |
|---------------------------------|-----------|------|---------------------------|------|------------------------------|
| Address read data access time 1 | $T_{AA1}$ | —    | $1.0 \times t_{cyc} - 25$ | ns   | Figures 26.7 to 26.20, 26.25 |
| Address read data access time 2 | $T_{AA2}$ | —    | $1.5 \times t_{cyc} - 25$ | ns   |                              |
| Address read data access time 3 | $T_{AA3}$ | —    | $2.0 \times t_{cyc} - 25$ | ns   |                              |
| Address read data access time 4 | $T_{AA4}$ | —    | $2.5 \times t_{cyc} - 25$ | ns   |                              |
| Address read data access time 5 | $T_{AA5}$ | —    | $3.0 \times t_{cyc} - 25$ | ns   |                              |

**Table 26.21 Bus Timing (2)**

Conditions:  $V_{CC} = 3.0\text{ V to }3.6\text{ V}$ ,  $AV_{CC} = 3.0\text{ V to }3.6\text{ V}$ ,  $V_{ref} = 3.0\text{ V to }AV_{CC}$ ,  $V_{SS} = AV_{SS} = 0\text{ V}$ ,  $\phi = 8\text{ MHz to }35\text{ MHz}$ ,  $T_a = -20^\circ\text{C to }+75^\circ\text{C}$  (regular specifications),  
 $T_a = -40^\circ\text{C to }+85^\circ\text{C}$  (wide-range specifications)

| Item                              | Symbol      | Min.                      | Max. | Unit | Test Conditions       |
|-----------------------------------|-------------|---------------------------|------|------|-----------------------|
| $\overline{WR}$ delay time 1      | $t_{WRD1}$  | —                         | 15   | ns   | Figures 26.7 to 26.20 |
| $\overline{WR}$ delay time 2      | $t_{WRD2}$  | —                         | 15   | ns   |                       |
| $\overline{WR}$ pulse width 1     | $t_{WSW1}$  | $1.0 \times t_{cyc} - 13$ | —    | ns   |                       |
| $\overline{WR}$ pulse width 2     | $t_{WSW2}$  | $1.5 \times t_{cyc} - 13$ | —    | ns   |                       |
| Write data delay time             | $t_{WDD}$   | —                         | 23   | ns   |                       |
| Write data setup time 1           | $t_{WDS1}$  | $0.5 \times t_{cyc} - 15$ | —    | ns   |                       |
| Write data setup time 2           | $t_{WDS2}$  | $1.0 \times t_{cyc} - 15$ | —    | ns   |                       |
| Write data setup time 3           | $t_{WDS3}$  | $1.5 \times t_{cyc} - 15$ | —    | ns   |                       |
| Write data hold time 1            | $t_{WDH1}$  | $0.5 \times t_{cyc} - 13$ | —    | ns   |                       |
| Write data hold time 2            | $t_{WDH2}$  | $1.0 \times t_{cyc} - 13$ | —    | ns   |                       |
| Write data hold time 3            | $t_{WDH3}$  | $1.5 \times t_{cyc} - 13$ | —    | ns   |                       |
| Write command setup time 1        | $t_{WCS1}$  | $0.5 \times t_{cyc} - 10$ | —    | ns   |                       |
| Write command setup time 2        | $t_{WCS2}$  | $1.0 \times t_{cyc} - 10$ | —    | ns   |                       |
| Write command hold time 1         | $t_{WCH1}$  | $0.5 \times t_{cyc} - 10$ | —    | ns   |                       |
| Write command hold time 2         | $t_{WCH2}$  | $1.0 \times t_{cyc} - 10$ | —    | ns   |                       |
| Read command setup time 1         | $t_{RCS1}$  | $1.5 \times t_{cyc} - 10$ | —    | ns   |                       |
| Read command setup time 2         | $t_{RCS2}$  | $2.0 \times t_{cyc} - 10$ | —    | ns   |                       |
| Read command hold time            | $t_{RCH}$   | $0.5 \times t_{cyc} - 10$ | —    | ns   |                       |
| $\overline{CAS}$ delay time 1     | $t_{CASD1}$ | —                         | 15   | ns   |                       |
| $\overline{CAS}$ delay time 2     | $t_{CASD2}$ | —                         | 15   | ns   |                       |
| $\overline{CAS}$ setup time 1     | $t_{CSR1}$  | $0.5 \times t_{cyc} - 10$ | —    | ns   |                       |
| $\overline{CAS}$ setup time 2     | $t_{CSR2}$  | $1.5 \times t_{cyc} - 10$ | —    | ns   |                       |
| $\overline{CAS}$ pulse width 1    | $t_{CASW1}$ | $1.0 \times t_{cyc} - 20$ | —    | ns   |                       |
| $\overline{CAS}$ pulse width 2    | $t_{CASW2}$ | $1.5 \times t_{cyc} - 20$ | —    | ns   |                       |
| $\overline{CAS}$ precharge time 1 | $t_{CPW1}$  | $1.0 \times t_{cyc} - 20$ | —    | ns   |                       |
| $\overline{CAS}$ precharge time 2 | $t_{CPW2}$  | $1.5 \times t_{cyc} - 20$ | —    | ns   |                       |
| $\overline{OE}$ delay time 1      | $t_{OED1}$  | —                         | 15   | ns   |                       |
| $\overline{OE}$ delay time 2      | $t_{OED2}$  | —                         | 15   | ns   |                       |
| Precharge time 1                  | $t_{PCH1}$  | $1.0 \times t_{cyc} - 20$ | —    | ns   |                       |
| Precharge time 2                  | $t_{PCH2}$  | $1.5 \times t_{cyc} - 20$ | —    | ns   |                       |

| Item                          | Symbol       | Min.                      | Max. | Unit | Test Conditions         |
|-------------------------------|--------------|---------------------------|------|------|-------------------------|
| Self-refresh precharge time 1 | $t_{RPS1}$   | $2.5 \times t_{cyc} - 20$ | —    | ns   | Figures 26.21 and 26.22 |
| Self-refresh precharge time 2 | $t_{RPS2}$   | $3.0 \times t_{cyc} - 20$ | —    | ns   |                         |
| $\overline{WAIT}$ setup time  | $t_{WTS}$    | 25                        | —    | ns   | Figures 26.9 and 26.15  |
| $\overline{WAIT}$ hold time   | $t_{WTH}$    | 5                         | —    | ns   |                         |
| $\overline{BREQ}$ setup time  | $t_{BREQS}$  | 30                        | —    | ns   | Figure 26.23            |
| $\overline{BACK}$ delay time  | $t_{BACD}$   | —                         | 15   | ns   |                         |
| Bus floating time             | $t_{BZD}$    | —                         | 40   | ns   |                         |
| $\overline{BREQO}$ delay time | $t_{BREQOD}$ | —                         | 25   | ns   | Figure 26.24            |

**(4) DMAC and EXDMAC Timing****Table 26.22 DMAC and EXDMAC Timing**

Conditions:  $V_{CC} = 3.0\text{ V to }3.6\text{ V}$ ,  $AV_{CC} = 3.0\text{ V to }3.6\text{ V}$ ,  $V_{ref} = 3.0\text{ V to }AV_{CC}$ ,  $V_{SS} = AV_{SS} = 0\text{ V}$ ,  $\phi = 8\text{ MHz to }35\text{ MHz}$ ,  $T_a = -20^\circ\text{C to }+75^\circ\text{C}$  (regular specifications),  
 $T_a = -40^\circ\text{C to }+85^\circ\text{C}$  (wide-range specifications)

| Item                            | Symbol       | Min. | Max. | Unit | Test Conditions         |
|---------------------------------|--------------|------|------|------|-------------------------|
| $\overline{DREQ}$ setup time    | $t_{DRQS}$   | 25   | —    | ns   | Figure 26.31            |
| $\overline{DREQ}$ hold time     | $t_{DRQH}$   | 10   | —    |      |                         |
| $\overline{TEND}$ delay time    | $t_{TED}$    | —    | 18   | ns   | Figure 26.30            |
| $\overline{DACK}$ delay time 1  | $t_{DACD1}$  | —    | 18   |      | Figures 26.28 and 26.29 |
| $\overline{DACK}$ delay time 2  | $t_{DACD2}$  | —    | 18   |      |                         |
| $\overline{EDREQ}$ setup time   | $t_{EDRQS}$  | 25   | —    | ns   | Figure 26.31            |
| $\overline{EDREQ}$ hold time    | $t_{EDRQH}$  | 10   | —    |      |                         |
| $\overline{ETEND}$ delay time   | $t_{ETED}$   | —    | 18   | ns   | Figure 26.30            |
| $\overline{EDACK}$ delay time 1 | $t_{EDACD1}$ | —    | 18   |      | Figure 26.28 and 26.29  |
| $\overline{EDACK}$ delay time 2 | $t_{EDACD2}$ | —    | 18   |      |                         |
| $\overline{EDRAK}$ delay time   | $t_{EDRKD}$  | —    | 18   | ns   | Figure 26.32            |

## (5) Timing of On-Chip Peripheral Modules

**Table 26.23 Timing of On-Chip Peripheral Modules**

Conditions:  $V_{CC} = 3.0\text{ V to }3.6\text{ V}$ ,  $AV_{CC} = 3.0\text{ V to }3.6\text{ V}$ ,  $V_{ref} = 3.0\text{ V to }AV_{CC}$ ,  $V_{SS} = AV_{SS} = 0\text{ V}$ ,  $\phi = 8\text{ MHz to }35\text{ MHz}$ ,  $T_a = -20^\circ\text{C to }+75^\circ\text{C}$  (regular specifications),  
 $T_a = -40^\circ\text{C to }+85^\circ\text{C}$  (wide-range specifications)

| Item                                 |                                       | Symbol                    | Min.        | Max. | Unit       | Test Conditions |              |
|--------------------------------------|---------------------------------------|---------------------------|-------------|------|------------|-----------------|--------------|
| I/O ports                            | Output data delay time                | $t_{PWD}$                 | —           | 40   | ns         | Figure 26.33    |              |
|                                      | Input data setup time                 | $t_{PRS}$                 | 25          | —    | ns         |                 |              |
|                                      | Input data hold time                  | $t_{PRH}$                 | 25          | —    | ns         |                 |              |
| PPG                                  | Pulse output delay time               | $t_{POD}$                 | —           | 40   | ns         | Figure 26.34    |              |
| TPU                                  | Timer output delay time               | $t_{TOCD}$                | —           | 40   | ns         | Figure 26.35    |              |
|                                      | Timer input setup time                | $t_{TICS}$                | 25          | —    | ns         |                 |              |
|                                      | Timer clock input setup time          | $t_{TCKS}$                | 25          | —    | ns         | Figure 26.36    |              |
|                                      | Timer clock pulse width specification | Single-edge specification | $t_{TCKWH}$ | 1.5  | —          | $t_{cyc}$       |              |
| Both-edge specification              |                                       | $t_{TCKWL}$               | 2.5         | —    | $t_{cyc}$  |                 |              |
| 8-bit timer                          | Timer output delay time               | $t_{TMOD}$                | —           | 40   | ns         | Figure 26.37    |              |
|                                      | Timer reset input setup time          | $t_{TMRS}$                | 25          | —    | ns         | Figure 26.39    |              |
|                                      | Timer clock input setup time          | $t_{TMCS}$                | 25          | —    | ns         | Figure 26.38    |              |
|                                      | Timer clock pulse width specification | Single-edge specification | $t_{TMCWH}$ | 1.5  | —          | $t_{cyc}$       |              |
| Both-edge specification              |                                       | $t_{TMCWL}$               | 2.5         | —    | $t_{cyc}$  |                 |              |
| WDT                                  | Overflow output delay time            | $t_{WOVD}$                | —           | 40   | ns         | Figure 26.40    |              |
| SCI                                  | Input clock cycle                     | Asynchronous              | $t_{Scyc}$  | 4    | —          | $t_{cyc}$       | Figure 26.41 |
|                                      |                                       | Synchronous               |             | 6    | —          |                 |              |
|                                      | Input clock pulse width               | $t_{SCKW}$                | 0.4         | 0.6  | $t_{Scyc}$ |                 |              |
|                                      | Input clock rising time               | $t_{SCKr}$                | —           | 1.5  | $t_{cyc}$  |                 |              |
|                                      | Input clock falling time              | $t_{SCKf}$                | —           | 1.5  |            |                 |              |
|                                      | Transmit data delay time              | $t_{TXD}$                 | —           | 40   | ns         | Figure 26.42    |              |
|                                      | Receive data setup time (synchronous) | $t_{RXS}$                 | 40          | —    | ns         |                 |              |
| Receive data hold time (synchronous) | $t_{RXH}$                             | 40                        | —           | ns   |            |                 |              |

| Item          |   | Symbol     | Min.               | Max.        | Unit | Test Conditions |
|---------------|---|------------|--------------------|-------------|------|-----------------|
| A/D converter | Trigger input setup time                    | $t_{TRGS}$ | 30                 | —           | ns   | Figure 26.43    |
| IIC2          | SCL input cycle time                        | $t_{SCL}$  | $12 t_{CYC} + 600$ | —           | ns   | Figure 26.44    |
|               | SCL input high pulse width                  | $t_{SCLH}$ | $3 t_{CYC} + 300$  | —           | ns   |                 |
|               | SCL input low pulse width                   | $t_{SCLL}$ | $5 t_{CYC} + 300$  | —           | ns   |                 |
|               | SCL, SDA Input falling time                 | $t_{Sf}$   | —                  | 300         | ns   |                 |
|               | SCL, SDA Input spike pulse removal time     | $t_{SP}$   | —                  | $1 t_{CYC}$ | ns   |                 |
|               | SDA input bus free time                     | $t_{BUF}$  | $5 t_{CYC}$        | —           | ns   |                 |
|               | Start condition input hold time             | $t_{STAH}$ | $3 t_{CYC}$        | —           | ns   |                 |
|               | Retransmit start condition input setup time | $t_{STAS}$ | $3 t_{CYC}$        | —           | ns   |                 |
|               | Stop condition input setup time             | $t_{STOS}$ | $1 t_{CYC} + 20$   | —           | ns   |                 |
|               | Data input setup time                       | $t_{SDAS}$ | 0                  | —           | ns   |                 |
|               | Data input hold time                        | $t_{SDAH}$ | 0                  | —           | ns   |                 |
|               | SCL, SDA capacitive load                    | $C_b$      | —                  | 400         | pF   |                 |
|               | SCL, SDA falling time                       | $t_{Sf}$   | —                  | 300         | ns   |                 |

## 26.2.4 A/D Conversion Characteristics

**Table 26.24 A/D Conversion Characteristics**

Conditions:  $V_{CC} = 3.0\text{ V to }3.6\text{ V}$ ,  $AV_{CC} = 3.0\text{ V to }3.6\text{ V}$ ,  $V_{ref} = 3.0\text{ V to }AV_{CC}$ ,  $V_{SS} = AV_{SS} = 0\text{ V}$ ,  $\phi = 8\text{ MHz to }35\text{ MHz}$ ,  $T_a = -20^\circ\text{C to }+75^\circ\text{C}$  (regular specifications),  
 $T_a = -40^\circ\text{C to }+85^\circ\text{C}$  (wide-range specifications)

| Item                                | Min. | Typ. | Max.      | Unit          |
|-------------------------------------|------|------|-----------|---------------|
| Resolution                          | 10   | 10   | 10        | Bit           |
| Conversion time                     | 7.4  | —    | —         | $\mu\text{s}$ |
| Analog input capacitance            | —    | —    | 20        | pF            |
| Permissible signal source impedance | —    | —    | 5         | k $\Omega$    |
| Nonlinearity error                  | —    | —    | $\pm 5.5$ | LSB           |
| Offset error                        | —    | —    | $\pm 5.5$ | LSB           |
| Full-scale error                    | —    | —    | $\pm 5.5$ | LSB           |
| Quantization error                  | —    | —    | $\pm 0.5$ | LSB           |
| Absolute accuracy                   | —    | —    | $\pm 6.0$ | LSB           |

## 26.2.5 D/A Conversion Characteristics

**Table 26.25 D/A Conversion Characteristics**

Conditions:  $V_{CC} = 3.0\text{ V to }3.6\text{ V}$ ,  $AV_{CC} = 3.0\text{ V to }3.6\text{ V}$ ,  $V_{ref} = 3.0\text{ V to }AV_{CC}$ ,  $V_{SS} = AV_{SS} = 0\text{ V}$ ,  $\phi = 8\text{ MHz to }35\text{ MHz}$ ,  $T_a = -20^\circ\text{C to }+75^\circ\text{C}$  (regular specifications),  
 $T_a = -40^\circ\text{C to }+85^\circ\text{C}$  (wide-range specifications)

| Item              | Min. | Typ.      | Max.      | Unit          | Test Conditions             |
|-------------------|------|-----------|-----------|---------------|-----------------------------|
| Resolution        | 8    | 8         | 8         | Bit           |                             |
| Conversion time   | —    | —         | 10        | $\mu\text{s}$ | 20 pF capacitive load       |
| Absolute accuracy | —    | $\pm 2.0$ | $\pm 3.0$ | LSB           | 2 M $\Omega$ resistive load |
|                   | —    | —         | $\pm 2.0$ | LSB           | 4 M $\Omega$ resistive load |



## 26.2.6 Flash Memory Characteristics

Table 26.26 Flash Memory Characteristics (0.18- $\mu$ m F-ZTAT Version)

Conditions:  $V_{CC} = 3.0\text{ V to }3.6\text{ V}$ ,  $AV_{CC} = 3.0\text{ V to }3.6\text{ V}$ ,  $V_{ref} = 3.0\text{ V to }AV_{CC}$ ,  
 $V_{SS} = AV_{SS} = 0\text{ V}$ ,  $T_a = 0^\circ\text{C to }75^\circ\text{C}$  (Programming/Erasing Operating Temperature Range: Normal Specifications),  $T_a = 0^\circ\text{C to }85^\circ\text{C}$  (Programming/Erasing Operating Temperature Range: Extended Temperature Range Specifications)

| Item   | Symbol          | Min.              | Typ. | Max. | Unit             | Test Conditions          |
|--|-----------------|-------------------|------|------|------------------|--------------------------|
| Programming time <sup>*1 *2 *4</sup>                   | $t_P$           | —                 | 1    | 10   | ms/<br>128 bytes |                          |
| Erase time <sup>*1 *2 *4</sup>                         | $t_E$           | —                 | 250  | 1500 | ms/<br>4 kbytes  |                          |
|  |                 | —                 | 500  | 4000 | ms/<br>32 kbytes |                          |
|  |                 | —                 | 750  | 6500 | ms/<br>64 kbytes |                          |
| Programming time (total) <sup>*1 *2 *4</sup>           | $\Sigma t_P$    | —                 | 4    | 12   | s/512 kbytes     | $T_a = 25^\circ\text{C}$ |
| Erase time (total) <sup>*1 *2 *4</sup>                 | $\Sigma t_E$    | —                 | 7    | 20   | s/512 kbytes     | $T_a = 25^\circ\text{C}$ |
| Programming and erase time (total) <sup>*1 *2 *4</sup> | $\Sigma t_{PE}$ | —                 | 11   | 32   | s/512 kbytes     | $T_a = 25^\circ\text{C}$ |
| Rewrite times  | $N_{WEC}$       | 100 <sup>*3</sup> | —    | —    | Times            |                          |
| Data storage time <sup>*4</sup>                        | $t_{DRP}$       | 10                | —    | —    | Year             |                          |

- Notes: 1. Actual programming and erase times are dependent on data characteristics.  
2. Programming and erase times do not include data transfer time.  
3. The minimum number of times for which all characteristics are guaranteed. (The guaranteed range is from 1 to the minimum number of times.)  
4. Rewrite characteristics are for the operating range including the minimum value.

## 26.3 Electrical Characteristics for H8S/2374, H8S/2372, H8S/2371, H8S/2370, H8S/2378R, H8S/2374R, H8S/2372R, H8S/2371R, H8S/2370R

### 26.3.1 Absolute Maximum Ratings

Table 26.27 lists the absolute maximum ratings.

**Table 26.27 Absolute Maximum Ratings**

| Item                                 | Symbol                   | Value                                     | Unit |
|--------------------------------------|--------------------------|---|------|
| Power supply voltage                 | $V_{CC}$<br>$PLL V_{CC}$ | -0.3 to +4.3                              | V    |
| Input voltage (except ports 4 and 9) | $V_{in}$                 | -0.3 to $V_{CC} + 0.3$                    | V    |
| Input voltage (ports 4 and 9)        | $V_{in}$                 | -0.3 to $AV_{CC} + 0.3$                   | V    |
| Reference power supply voltage       | $V_{ref}$                | -0.3 to $AV_{CC} + 0.3$                   | V    |
| Analog power supply voltage          | $AV_{CC}$                | -0.3 to +4.0                              | V    |
| Analog input voltage                 | $V_{AN}$                 | -0.3 to $AV_{CC} + 0.3$                   | V    |
| Operating temperature                | $T_{opr}$                | Regular specifications:<br>-20 to +75*    | °C   |
|                                      |                          | Wide-range specifications:<br>-40 to +85* | °C   |
| Storage temperature                  | $T_{stg}$                | -55 to +125                               | °C   |

Caution: Permanent damage to the LSI may result if absolute maximum ratings are exceeded.

Note: \* Ranges of operating temperature when flash memory is programmed/erased:  
 Regular specifications: 0 to +75°C  
 Wide-range specifications: 0 to +85°C

## 26.3.2 DC Characteristics

Table 26.28 DC Characteristics

Conditions:  $V_{CC} = 3.0\text{ V to }3.6\text{ V}$ ,  $AV_{CC} = 3.0\text{ V to }3.6\text{ V}$ ,  $V_{ref} = 3.0\text{ V to }AV_{CC}$ ,  
 $V_{SS} = AV_{SS} = 0\text{ V}^{*1}$ ,  $T_a = -20^{\circ}\text{C to }+75^{\circ}\text{C}$  (regular specifications),  
 $T_a = -40^{\circ}\text{C to }+85^{\circ}\text{C}$  (wide-range specifications)

| Item                          | Symbol  | Min.          | Typ.                 | Max. | Unit                | Test Conditions |                              |
|-------------------------------|---|---------------|----------------------|------|---------------------|-----------------|------------------------------|
| Schmitt trigger input voltage | Port 1, port 2, P50 to P53 <sup>*2</sup> , port 6 <sup>*2</sup> , port 8 <sup>*2</sup> , PA4 to PA7 <sup>*2</sup> , PF1 <sup>*2</sup> , PF2 <sup>*2</sup> , PH2 <sup>*2</sup> , PH3 <sup>*2</sup> | $VT^-$        | $V_{CC} \times 0.2$  | —    | —                   | V               |                              |
|                               |   | $VT^+$        | —                    | —    | $V_{CC} \times 0.7$ | V               |                              |
|                               |   | $VT^+ - VT^-$ | $V_{CC} \times 0.07$ | —    | —                   | V               |                              |
| Input high voltage            | $\overline{STBY}$ , MD2 to MD0  | $V_{IH}$      | $V_{CC} \times 0.9$  | —    | $V_{CC} + 0.3$      | V               |                              |
|                               | $\overline{RES}$ , NMI, EMLE  |               | $V_{CC} \times 0.9$  | —    | $V_{CC} + 0.3$      | V               |                              |
|                               | EXTAL   |               | $V_{CC} \times 0.7$  | —    | $V_{CC} + 0.3$      | V               |                              |
|                               | Port 3, P50 to P53 <sup>*3</sup> , ports 6 <sup>*3</sup> and 8 <sup>*3</sup> , ports A to H <sup>*3</sup>   |               | 2.2                  | —    | $V_{CC} + 0.3$      | V               |                              |
|                               | Port 4, Port 9  |               | 2.2                  | —    | $AV_{CC} + 0.3$     | V               |                              |
| Input low voltage             | $\overline{RES}$ , $\overline{STBY}$ , MD2 to MD0, EMLE   | $V_{IL}$      | -0.3                 | —    | $V_{CC} \times 0.1$ | V               |                              |
|                               | NMI, EXTAL  |               | -0.3                 | —    | $V_{CC} \times 0.2$ | V               |                              |
|                               | Ports 3 to 6 <sup>*3</sup> , Port 8 <sup>*3</sup> , ports A to H <sup>*3</sup> , port 9   |               | -0.3                 | —    | $V_{CC} \times 0.2$ | V               |                              |
|                               |   |               |                      |      |                     |                 |                              |
| Output high voltage           | All output pins   | $V_{OH}$      | $V_{CC} - 0.5$       | —    | —                   | V               | $I_{OH} = -200\ \mu\text{A}$ |
|                               |   |               | $V_{CC} - 1.0$       | —    | —                   | V               | $I_{OH} = -1\ \text{mA}$     |
| Output low voltage            | All output pins<br>P32 to P35 <sup>*4</sup>   | $V_{OL}$      | —                    | —    | 0.4                 | V               | $I_{OL} = 1.6\ \text{mA}$    |
|                               |   |               | —                    | —    | 0.5                 | V               | $I_{OL} = 8.0\ \text{mA}$    |

Notes: 1. When the A/D and D/A converters are not used, the  $AV_{CC}$ ,  $V_{ref}$ , and  $AV_{SS}$  pins should not be open. Connect the  $AV_{CC}$  and  $V_{ref}$  pins to  $V_{CC}$ , and the  $AV_{SS}$  pin to  $V_{SS}$ .

2. When used as  $\overline{IRQ0}$  to  $\overline{IRQ15}$ .

3. When used as other than  $\overline{IRQ0}$  to  $\overline{IRQ15}$ .

4. When used as SCL0, SCL1, SDA0, and SDA1.

**Table 26.29 DC Characteristics**

Conditions:  $V_{CC} = 3.0\text{ V to }3.6\text{ V}$ ,  $AV_{CC} = 3.0\text{ V to }3.6\text{ V}$ ,  $V_{ref} = 3.0\text{ V to }AV_{CC}$ ,  
 $V_{SS} = AV_{SS} = 0\text{ V}^{*1}$ ,  $T_a = -20^\circ\text{C to }+75^\circ\text{C}$  (regular specifications),  
 $T_a = -40^\circ\text{C to }+85^\circ\text{C}$  (wide-range specifications)

| Item                                    | Symbol  | Min.          | Typ. | Max.        | Unit | Test Conditions   |
|---|---|---------------|------|-------------|------|---|
| Input leakage current                   | $\overline{\text{RES}}$                               | $ I_{in} $    | —    | —           | 10.0 | $\mu\text{A}$<br>$V_{in} = 0.5\text{ to }V_{CC} - 0.5\text{ V}$                 |
|   | $\overline{\text{STBY}}$ , NMI, MD2 to MD0            | —             | —    | —           | 1.0  | $\mu\text{A}$   |
|   | Port 4, Port 9  | —             | —    | —           | 1.0  | $\mu\text{A}$<br>$V_{in} = 0.5\text{ to }AV_{CC} - 0.5\text{ V}$                |
| Three-state leakage current (off state) | Ports 1 to 3, P50 to P53, ports 6 and 8, ports A to H | $ I_{TSI} $   | —    | —           | 1.0  | $\mu\text{A}$<br>$V_{in} = 0.5\text{ to }V_{CC} - 0.5\text{ V}$                 |
| Input pull-up MOS current               | Ports A to E  | $-I_p$        | 10   | —           | 300  | $\mu\text{A}$<br>$V_{CC} = 3.0\text{ to }3.6\text{ V}$<br>$V_{in} = 0\text{ V}$ |
| Input capacitance                       | $\overline{\text{RES}}$                               | $C_{in}$      | —    | —           | 30   | $\text{pF}$<br>$V_{in} = 0\text{ V}$  |
|   | NMI   | —             | —    | —           | 30   | $\text{pF}$<br>$f = 1\text{ MHz}$   |
|   | All input pins except $\overline{\text{RES}}$ and NMI | —             | —    | —           | 15   | $\text{pF}$<br>$T_a = 25^\circ\text{C}$   |
| Current consumption <sup>*2</sup>       | Normal operation                                      | $I_{CC}^{*4}$ | —    | 40 (3.3 V)  | 60   | $\text{mA}$<br>$f = 34\text{ MHz}$  |
|   | Sleep mode  | —             | —    | 20 (3.3 V)  | 40   | $\text{mA}$<br>$f = 34\text{ MHz}$  |
|   | Standby mode <sup>*3</sup>                            | —             | —    | 5           | 20   | $\mu\text{A}$<br>$T_a \leq 50^\circ\text{C}$                                    |
|   |   | —             | —    | —           | 80   | $\mu\text{A}$<br>$50^\circ\text{C} < T_a$                                       |
| Analog power supply current             | During A/D and D/A conversion                         | $AI_{CC}$     | —    | 0.5 (3.0 V) | 2.0  | $\text{mA}$   |
|   | Idle  | —             | —    | 0.01        | 5.0  | $\mu\text{A}$   |
| Reference power supply current          | During A/D and D/A conversion                         | $AI_{CC}$     | —    | 3.0 (3.0 V) | 6.0  | $\text{mA}$   |
|   | Idle  | —             | —    | 0.01        | 5.0  | $\mu\text{A}$   |

| Item                                 | Symbol        | Min. | Typ. | Max. | Unit | Test Conditions |
|--------------------------------------|---------------|------|------|------|------|-----------------|
| RAM standby voltage                  | $V_{RAM}$     | 2.5  | —    | —    | V    |                 |
| $V_{CC}$ start voltage* <sup>5</sup> | $V_{CCstart}$ | —    | —    | 0.8  | V    |                 |
| $V_{CC}$ rise slope* <sup>5</sup>    | $SV_{CC}$     | —    | —    | 20   | ms/V |                 |

- Notes: 1. When the A/D and D/A converters are not used, the  $AV_{CC}$ ,  $V_{ref}$ , and  $AV_{SS}$  pins should not be open. Connect the  $AV_{CC}$  and  $V_{ref}$  pins to  $V_{CC}$ , and the  $AV_{SS}$  pin to  $V_{SS}$ .
2. Current consumption values are for  $V_{IHmin} = V_{CC} - 0.2$  V and  $V_{ILmax} = 0.2$  V with all output pins unloaded and all input pull-up MOSs in the off state.
3. The values are for  $V_{RAM} \leq V_{CC} < 3.0$  V,  $V_{IHmin} = V_{CC} \times 0.9$ , and  $V_{ILmax} = 0.3$  V.
4.  $I_{CC}$  depends on  $V_{CC}$  and  $f$  as follows:  
 $I_{CCmax} = 15$  (mA) +  $0.37$  (mA/(MHz  $\times$  V))  $\times V_{CC} \times f$  (normal operation)  
 $I_{CCmax} = 15$  (mA) +  $0.20$  (mA/(MHz  $\times$  V))  $\times V_{CC} \times f$  (sleep mode)
5. Applies when  $\overline{RES}$  pin is low level at power-on.

**Table 26.30 Permissible Output Currents**

Conditions:  $V_{CC} = 3.0$  V to 3.6 V,  $AV_{CC} = 3.0$  V to 3.6 V,  $V_{ref} = 3.0$  V to  $AV_{CC}$ ,  
 $V_{SS} = AV_{SS} = 0$  V\*,  $T_a = -20^\circ\text{C}$  to  $+75^\circ\text{C}$  (regular specifications),  
 $T_a = -40^\circ\text{C}$  to  $+85^\circ\text{C}$  (wide-range specifications)

| Item                                      | Symbol                           | Min.             | Typ. | Max. | Unit |    |
|---|----------------------------------|------------------|------|------|------|----|
| Permissible output low current (per pin)  | SCL0, 1, SDA0, 1                 | $I_{OL}$         | —    | —    | 8.0  | mA |
|   | Output pins other than the above |                  | —    | —    | 2.0  |    |
| Permissible output low current (total)    | Total of all output pins         | $\Sigma I_{OL}$  | —    | —    | 80   | mA |
| Permissible output high current (per pin) | All output pins                  | $-I_{OH}$        | —    | —    | 2.0  | mA |
| Permissible output high current (total)   | Total of all output pins         | $\Sigma -I_{OH}$ | —    | —    | 40   | mA |

Caution: To protect the LSI's reliability, do not exceed the output current values in table 26.30.

Note: \* When the A/D and D/A converters are not used, do not leave the  $AV_{CC}$ ,  $V_{ref}$ , and  $AV_{SS}$  pins should not be open. Connect the  $AV_{CC}$  and  $V_{ref}$  pins to  $V_{CC}$ , and the  $AV_{SS}$  pin to  $V_{SS}$ .

### 26.3.3 AC Characteristics

The clock, control signal, bus, DMAC, EXDMAC, and on-chip peripheral function timings are shown below. The measurement conditions of the AC characteristics are shown in figure 26.1.

#### (1) Clock Timing

**Table 26.31 Clock Timing**

Conditions:  $V_{CC} = 3.0\text{ V to }3.6\text{ V}$ ,  $AV_{CC} = 3.0\text{ V to }3.6\text{ V}$ ,  $V_{ref} = 3.0\text{ V to }AV_{CC}$ ,  $V_{SS} = AV_{SS} = 0\text{ V}$ ,  $\phi = 8\text{ MHz to }34\text{ MHz}$ ,  $T_a = -20^\circ\text{C to }+75^\circ\text{C}$  (regular specifications),  
 $T_a = -40^\circ\text{C to }+85^\circ\text{C}$  (wide-range specifications)

| Item   | Symbol     | Min.                     | Max.                     | Unit | Test Conditions |
|--|------------|--------------------------|--------------------------|------|-----------------|
| Clock cycle time                                     | $t_{cyc}$  | 29.4                     | 125                      | ns   | Figure 26.2     |
| Clock pulse high width                               | $t_{CH}$   | 9                        | —                        | ns   | Figure 26.2     |
| Clock pulse low width                                | $t_{CL}$   | 9                        | —                        | ns   |                 |
| Clock rising time                                    | $t_{Cr}$   | —                        | 5                        | ns   |                 |
| Clock falling time                                   | $t_{Cf}$   | —                        | 5                        | ns   |                 |
| Reset oscillation settling time (crystal)            | $t_{OSC1}$ | 10                       | —                        | ms   | Figure 26.4(1)  |
| Software standby oscillation settling time (crystal) | $t_{OSC2}$ | 10                       | —                        | ms   | Figure 26.4(2)  |
| External clock output delay settling time            | $t_{DEXT}$ | 1                        | —                        | ms   | Figure 26.4(1)  |
| Clock phase difference*                              | $t_{cdif}$ | $1/4 \times t_{cyc} - 3$ | $1/4 \times t_{cyc} + 3$ | ns   | Figure 26.3     |
| Clock pulse high width (SDRAM $\phi$ )*              | $t_{SDCH}$ | 9                        | —                        | ns   | Figure 26.3     |
| Clock pulse low width (SDRAM $\phi$ )*               | $t_{SDCL}$ | 9                        | —                        | ns   | Figure 26.3     |
| Clock rising time (SDRAM $\phi$ )*                   | $t_{sdcr}$ | —                        | 5                        | ns   | Figure 26.3     |
| Clock falling time (SDRAM $\phi$ )*                  | $t_{sdcf}$ | —                        | 5                        | ns   | Figure 26.3     |

Note: \* Supported by the H8S/2378R, H8S/2374R, H8S/2372R, H8S/2371R, and H8S/2370R only.

**(2) Control Signal Timing****Table 26.32 Control Signal Timing**

Conditions:  $V_{CC} = 3.0\text{ V to }3.6\text{ V}$ ,  $AV_{CC} = 3.0\text{ V to }3.6\text{ V}$ ,  $V_{ref} = 3.0\text{ V to }AV_{CC}$ ,  $V_{SS} = AV_{SS} = 0\text{ V}$ ,  $\phi = 8\text{ MHz to }34\text{ MHz}$ ,  $T_a = -20^\circ\text{C to }+75^\circ\text{C}$  (regular specifications),  
 $T_a = -40^\circ\text{C to }+85^\circ\text{C}$  (wide-range specifications)

| Item  | Symbol     | Min. | Max. | Unit      | Test Conditions |
|---|------------|------|------|-----------|-----------------|
| $\overline{RES}$ setup time   | $t_{RESS}$ | 200  | —    | ns        | Figure 26.5     |
| $\overline{RES}$ pulse width  | $t_{RESW}$ | 20   | —    | $t_{cyc}$ |                 |
| NMI setup time  | $t_{NMIS}$ | 150  | —    | ns        | Figure 26.6     |
| NMI hold time   | $t_{NMIH}$ | 10   | —    |           |                 |
| NMI pulse width (in recovery from software standby mode)              | $t_{NMIW}$ | 200  | —    |           |                 |
| $\overline{IRQ}$ setup time   | $t_{IRQS}$ | 150  | —    | ns        |                 |
| $\overline{IRQ}$ hold time  | $t_{IRQH}$ | 10   | —    |           |                 |
| $\overline{IRQ}$ pulse width (in recovery from software standby mode) | $t_{IRQW}$ | 200  | —    |           |                 |

**(3) Bus Timing****Table 26.33 Bus Timing (1)**

Conditions:  $V_{CC} = 3.0\text{ V to }3.6\text{ V}$ ,  $AV_{CC} = 3.0\text{ V to }3.6\text{ V}$ ,  $V_{ref} = 3.0\text{ V to }AV_{CC}$ ,  $V_{SS} = AV_{SS} = 0\text{ V}$ ,  $\phi = 8\text{ MHz to }34\text{ MHz}$ ,  $T_a = -20^\circ\text{C to }+75^\circ\text{C}$  (regular specifications),  
 $T_a = -40^\circ\text{C to }+85^\circ\text{C}$  (wide-range specifications)

| Item                         | Symbol     | Min.                      | Max.                      | Unit | Test Conditions              |
|------------------------------|------------|---------------------------|---------------------------|------|------------------------------|
| Address delay time           | $T_{AD}$   | —                         | 20                        | ns   | Figures 26.7 to 26.20, 26.25 |
| Address setup time 1         | $T_{AS1}$  | $0.5 \times t_{cyc} - 13$ | —                         | ns   |                              |
| Address setup time 2         | $T_{AS2}$  | $1.0 \times t_{cyc} - 13$ | —                         | ns   |                              |
| Address setup time 3         | $T_{AS3}$  | $1.5 \times t_{cyc} - 13$ | —                         | ns   |                              |
| Address setup time 4         | $T_{AS4}$  | $2.0 \times t_{cyc} - 13$ | —                         | ns   |                              |
| Address hold time 1          | $T_{AH1}$  | $0.5 \times t_{cyc} - 8$  | —                         | ns   |                              |
| Address hold time 2          | $T_{AH2}$  | $1.0 \times t_{cyc} - 8$  | —                         | ns   |                              |
| Address hold time 3          | $T_{AH3}$  | $1.5 \times t_{cyc} - 8$  | —                         | ns   |                              |
| $\overline{CS}$ delay time 1 | $t_{CSD1}$ | —                         | 15                        | ns   |                              |
| $\overline{CS}$ delay time 2 | $t_{CSD2}$ | —                         | 15                        | ns   |                              |
| $\overline{CS}$ delay time 3 | $t_{CSD3}$ | —                         | 20                        | ns   |                              |
| $\overline{AS}$ delay time   | $T_{ASD}$  | —                         | 15                        | ns   |                              |
| $\overline{RD}$ delay time 1 | $t_{RSD1}$ | —                         | 15                        | ns   |                              |
| $\overline{RD}$ delay time 2 | $t_{RSD2}$ | —                         | 15                        | ns   |                              |
| Read data setup time 1       | $t_{RDS1}$ | 15                        | —                         | ns   |                              |
| Read data setup time 2       | $t_{RDS2}$ | 15                        | —                         | ns   |                              |
| Read data hold time 1        | $t_{RDH1}$ | 0                         | —                         | ns   |                              |
| Read data hold time 2        | $t_{RDH2}$ | 0                         | —                         | ns   |                              |
| Read data access time 1      | $T_{AC1}$  | —                         | $1.0 \times t_{cyc} - 25$ | ns   |                              |
| Read data access time 2      | $T_{AC2}$  | —                         | $1.5 \times t_{cyc} - 25$ | ns   |                              |
| Read data access time 3      | $T_{AC3}$  | —                         | $2.0 \times t_{cyc} - 25$ | ns   |                              |
| Read data access time 4      | $T_{AC4}$  | —                         | $2.5 \times t_{cyc} - 25$ | ns   |                              |
| Read data access time 5      | $T_{AC5}$  | —                         | $1.0 \times t_{cyc} - 25$ | ns   |                              |
| Read data access time 6      | $T_{AC6}$  | —                         | $2.0 \times t_{cyc} - 25$ | ns   |                              |
| Read data access time 7      | $T_{AC7}$  | —                         | $4.0 \times t_{cyc} - 25$ | ns   |                              |
| Read data access time 8      | $T_{AC8}$  | —                         | $3.0 \times t_{cyc} - 25$ | ns   |                              |



| Item                            | Symbol    | Min. | Max.                     | Unit | Test Conditions              |
|---------------------------------|-----------|------|--------------------------|------|------------------------------|
| Address read data access time 1 | $T_{AA1}$ | —    | $1.0 \times t_{cyc} -25$ | ns   | Figures 26.7 to 26.20, 26.25 |
| Address read data access time 2 | $T_{AA2}$ | —    | $1.5 \times t_{cyc} -25$ | ns   |                              |
| Address read data access time 3 | $T_{AA3}$ | —    | $2.0 \times t_{cyc} -25$ | ns   |                              |
| Address read data access time 4 | $T_{AA4}$ | —    | $2.5 \times t_{cyc} -25$ | ns   |                              |
| Address read data access time 5 | $T_{AA5}$ | —    | $3.0 \times t_{cyc} -25$ | ns   |                              |

**Table 26.34 Bus Timing (2)**

Conditions:  $V_{CC} = 3.0\text{ V to }3.6\text{ V}$ ,  $AV_{CC} = 3.0\text{ V to }3.6\text{ V}$ ,  $V_{ref} = 3.0\text{ V to }AV_{CC}$ ,  $V_{SS} = AV_{SS} = 0\text{ V}$ ,  $\phi = 8\text{ MHz to }34\text{ MHz}$ ,  $T_a = -20^\circ\text{C to }+75^\circ\text{C}$  (regular specifications),  
 $T_a = -40^\circ\text{C to }+85^\circ\text{C}$  (wide-range specifications)

| Item                                     | Symbol      | Min.                      | Max. | Unit | Test Conditions       |
|--|-------------|---------------------------|------|------|-----------------------|
| $\overline{\text{WR}}$ delay time 1      | $t_{WRD1}$  | —                         | 15   | ns   | Figures 26.7 to 26.20 |
| $\overline{\text{WR}}$ delay time 2      | $t_{WRD2}$  | —                         | 15   | ns   |                       |
| $\overline{\text{WR}}$ pulse width 1     | $t_{WSW1}$  | $1.0 \times t_{cyc} - 13$ | —    | ns   |                       |
| $\overline{\text{WR}}$ pulse width 2     | $t_{WSW2}$  | $1.5 \times t_{cyc} - 13$ | —    | ns   |                       |
| Write data delay time                    | $t_{WDD}$   | —                         | 23   | ns   |                       |
| Write data setup time 1                  | $t_{WDS1}$  | $0.5 \times t_{cyc} - 15$ | —    | ns   |                       |
| Write data setup time 2                  | $t_{WDS2}$  | $1.0 \times t_{cyc} - 15$ | —    | ns   |                       |
| Write data setup time 3                  | $t_{WDS3}$  | $1.5 \times t_{cyc} - 15$ | —    | ns   |                       |
| Write data hold time 1                   | $t_{WDH1}$  | $0.5 \times t_{cyc} - 13$ | —    | ns   |                       |
| Write data hold time 2                   | $t_{WDH2}$  | $1.0 \times t_{cyc} - 13$ | —    | ns   |                       |
| Write data hold time 3                   | $t_{WDH3}$  | $1.5 \times t_{cyc} - 13$ | —    | ns   |                       |
| Write command setup time 1               | $t_{WCS1}$  | $0.5 \times t_{cyc} - 10$ | —    | ns   |                       |
| Write command setup time 2               | $t_{WCS2}$  | $1.0 \times t_{cyc} - 10$ | —    | ns   |                       |
| Write command hold time 1                | $t_{WCH1}$  | $0.5 \times t_{cyc} - 10$ | —    | ns   |                       |
| Write command hold time 2                | $t_{WCH2}$  | $1.0 \times t_{cyc} - 10$ | —    | ns   |                       |
| Read command setup time 1                | $t_{RCS1}$  | $1.5 \times t_{cyc} - 10$ | —    | ns   |                       |
| Read command setup time 2                | $t_{RCS2}$  | $2.0 \times t_{cyc} - 10$ | —    | ns   |                       |
| Read command hold time                   | $t_{RCH}$   | $0.5 \times t_{cyc} - 10$ | —    | ns   |                       |
| $\overline{\text{CAS}}$ delay time 1     | $t_{CASD1}$ | —                         | 15   | ns   |                       |
| $\overline{\text{CAS}}$ delay time 2     | $t_{CASD2}$ | —                         | 15   | ns   |                       |
| $\overline{\text{CAS}}$ setup time 1     | $t_{CSR1}$  | $0.5 \times t_{cyc} - 10$ | —    | ns   |                       |
| $\overline{\text{CAS}}$ setup time 2     | $t_{CSR2}$  | $1.5 \times t_{cyc} - 10$ | —    | ns   |                       |
| $\overline{\text{CAS}}$ pulse width 1    | $t_{CASW1}$ | $1.0 \times t_{cyc} - 20$ | —    | ns   |                       |
| $\overline{\text{CAS}}$ pulse width 2    | $t_{CASW2}$ | $1.5 \times t_{cyc} - 20$ | —    | ns   |                       |
| $\overline{\text{CAS}}$ precharge time 1 | $t_{CPW1}$  | $1.0 \times t_{cyc} - 20$ | —    | ns   |                       |
| $\overline{\text{CAS}}$ precharge time 2 | $t_{CPW2}$  | $1.5 \times t_{cyc} - 20$ | —    | ns   |                       |
| $\overline{\text{OE}}$ delay time 1      | $t_{OED1}$  | —                         | 15   | ns   |                       |
| $\overline{\text{OE}}$ delay time 2      | $t_{OED2}$  | —                         | 15   | ns   |                       |
| Precharge time 1                         | $t_{PCH1}$  | $1.0 \times t_{cyc} - 20$ | —    | ns   |                       |
| Precharge time 2                         | $t_{PCH2}$  | $1.5 \times t_{cyc} - 20$ | —    | ns   |                       |

| Item                          | Symbol      | Min.                      | Max. | Unit | Test Conditions         |
|-------------------------------|-------------|---------------------------|------|------|-------------------------|
| Self-refresh precharge time 1 | $t_{RPS1}$  | $2.5 \times t_{cyc} - 20$ | —    | ns   | Figures 26.21 and 26.22 |
| Self-refresh precharge time 2 | $t_{RPS2}$  | $3.0 \times t_{cyc} - 20$ | —    | ns   |                         |
| WAIT setup time               | $t_{WTS}$   | 25                        | —    | ns   | Figures 26.9 and 26.15  |
| WAIT hold time                | $t_{WTH}$   | 5                         | —    | ns   |                         |
| BREQ setup time               | $t_{BREQS}$ | 30                        | —    | ns   | Figure 26.23            |
| BACK delay time               | $t_{BACD}$  | —                         | 15   | ns   |                         |
| Bus floating time             | $t_{BZD}$   | —                         | 40   | ns   |                         |
| BREQO delay time              | $t_{BRQOD}$ | —                         | 25   | ns   | Figure 26.24            |
| Address delay time 2*         | $t_{AD2}$   | —                         | 16.5 | ns   | Figure 26.25            |
| CS delay time 4*              | $t_{CSD4}$  | —                         | 16.5 | ns   | Figure 26.25            |
| DQM delay time*               | $t_{DQMD}$  | —                         | 16.5 | ns   | Figure 26.25            |
| CKE delay time*               | $t_{CKED}$  | —                         | 16.5 | ns   | Figures 26.26 and 26.27 |
| Read data setup time 3*       | $t_{RDS3}$  | 15                        | —    | ns   | Figure 26.25            |
| Read data hold time 3*        | $t_{RDH3}$  | 0                         | —    | ns   | Figure 26.25            |
| Write data delay time 2*      | $t_{WDD}$   | —                         | 31.5 | ns   | Figure 26.25            |
| Write data hold time 4*       | $t_{WDH4}$  | 2                         | —    | ns   | Figure 26.25            |

Note: \* Supported by the H8S/2378R, H8S/2374R, H8S/2372R, H8S/2371R, and H8S/2370R only.

**(4) DMAC and EXDMAC Timing****Table 26.35 DMAC and EXDMAC Timing**

Conditions:  $V_{CC} = 3.0\text{ V to }3.6\text{ V}$ ,  $AV_{CC} = 3.0\text{ V to }3.6\text{ V}$ ,  $V_{ref} = 3.0\text{ V to }AV_{CC}$ ,  $V_{SS} = AV_{SS} = 0\text{ V}$ ,  $\phi = 8\text{ MHz to }34\text{ MHz}$ ,  $T_a = -20^\circ\text{C to }+75^\circ\text{C}$  (regular specifications),  
 $T_a = -40^\circ\text{C to }+85^\circ\text{C}$  (wide-range specifications)

| Item                                   | Symbol       | Min. | Max. | Unit | Test Conditions         |
|--|--------------|------|------|------|-------------------------|
| $\overline{\text{DREQ}}$ setup time    | $t_{DRQS}$   | 25   | —    | ns   | Figure 26.31            |
| $\overline{\text{DREQ}}$ hold time     | $t_{DRQH}$   | 10   | —    |      |                         |
| $\overline{\text{TEND}}$ delay time    | $t_{TED}$    | —    | 18   | ns   | Figure 26.30            |
| $\overline{\text{DACK}}$ delay time 1  | $t_{DACD1}$  | —    | 18   |      | Figures 26.28 and 26.29 |
| $\overline{\text{DACK}}$ delay time 2  | $t_{DACD2}$  | —    | 18   |      |                         |
| $\overline{\text{EDREQ}}$ setup time   | $t_{EDRQS}$  | 25   | —    | ns   | Figure 26.31            |
| $\overline{\text{EDREQ}}$ hold time    | $t_{EDRQH}$  | 10   | —    |      |                         |
| $\overline{\text{ETEND}}$ delay time   | $t_{ETED}$   | —    | 18   | ns   | Figure 26.30            |
| $\overline{\text{EDACK}}$ delay time 1 | $t_{EDACD1}$ | —    | 18   |      | Figure 26.28 and 26.29  |
| $\overline{\text{EDACK}}$ delay time 2 | $t_{EDACD2}$ | —    | 18   |      |                         |
| $\overline{\text{EDRAK}}$ delay time   | $t_{EDRKD}$  | —    | 18   | ns   | Figure 26.32            |

**(5) Timing of On-Chip Peripheral Modules****Table 26.36 Timing of On-Chip Peripheral Modules**

Conditions:  $V_{CC} = 3.0\text{ V to }3.6\text{ V}$ ,  $AV_{CC} = 3.0\text{ V to }3.6\text{ V}$ ,  $V_{ref} = 3.0\text{ V to }AV_{CC}$ ,  $V_{SS} = AV_{SS} = 0\text{ V}$ ,  $\phi = 8\text{ MHz to }34\text{ MHz}$ ,  $T_a = -20^\circ\text{C to }+75^\circ\text{C}$  (regular specifications),  
 $T_a = -40^\circ\text{C to }+85^\circ\text{C}$  (wide-range specifications)

| Item        |                                       | Symbol                    | Min.        | Max. | Unit       | Test Conditions |              |
|-------------|---------------------------------------|---------------------------|-------------|------|------------|-----------------|--------------|
| I/O ports   | Output data delay time                | $t_{PWD}$                 | —           | 40   | ns         | Figure 26.33    |              |
|             | Input data setup time                 | $t_{PRS}$                 | 25          | —    | ns         |                 |              |
|             | Input data hold time                  | $t_{PRH}$                 | 25          | —    | ns         |                 |              |
| PPG         | Pulse output delay time               | $t_{POD}$                 | —           | 40   | ns         | Figure 26.34    |              |
| TPU         | Timer output delay time               | $t_{TOCD}$                | —           | 40   | ns         | Figure 26.35    |              |
|             | Timer input setup time                | $t_{TICS}$                | 25          | —    | ns         |                 |              |
|             | Timer clock input setup time          | $t_{TCKS}$                | 25          | —    | ns         | Figure 26.36    |              |
|             | Timer clock pulse width               | Single-edge specification | $t_{TCKWH}$ | 1.5  | —          |                 | $t_{cyc}$    |
|             |                                       | Both-edge specification   | $t_{TCKWL}$ | 2.5  | —          |                 | $t_{cyc}$    |
| 8-bit timer | Timer output delay time               | $t_{TMOD}$                | —           | 40   | ns         | Figure 26.37    |              |
|             | Timer reset input setup time          | $t_{TMRS}$                | 25          | —    | ns         | Figure 26.39    |              |
|             | Timer clock input setup time          | $t_{TMCS}$                | 25          | —    | ns         | Figure 26.38    |              |
|             | Timer clock pulse width               | Single-edge specification | $t_{TMCWH}$ | 1.5  | —          |                 | $t_{cyc}$    |
|             |                                       | Both-edge specification   | $t_{TMCWL}$ | 2.5  | —          |                 | $t_{cyc}$    |
| WDT         | Overflow output delay time            | $t_{WOVD}$                | —           | 40   | ns         | Figure 26.40    |              |
| SCI         | Input clock cycle                     | Asynchronous              | $t_{Scyc}$  | 4    | —          | $t_{cyc}$       | Figure 26.41 |
|             |                                       | Synchronous               |             | 6    | —          |                 |              |
|             | Input clock pulse width               | $t_{SCKW}$                | 0.4         | 0.6  | $t_{Scyc}$ |                 |              |
|             | Input clock rising time               | $t_{SCKr}$                | —           | 1.5  | $t_{cyc}$  |                 |              |
|             | Input clock falling time              | $t_{SCKf}$                | —           | 1.5  |            |                 |              |
|             | Transmit data delay time              | $t_{TXD}$                 | —           | 40   | ns         | Figure 26.42    |              |
|             | Receive data setup time (synchronous) | $t_{RXS}$                 | 40          | —    | ns         |                 |              |
|             | Receive data hold time (synchronous)  | $t_{RXH}$                 | 40          | —    | ns         |                 |              |

| Item          |   | Symbol            | Min.                     | Max.               | Unit | Test Conditions |
|---------------|---|-------------------|--------------------------|--------------------|------|-----------------|
| A/D converter | Trigger input setup time                    | t <sub>TRGS</sub> | 30                       | —                  | ns   | Figure 26.43    |
| IIC2          | SCL input cycle time                        | t <sub>SCL</sub>  | 12 t <sub>CYC</sub> +600 | —                  | ns   | Figure 26.44    |
|               | SCL input high pulse width                  | t <sub>SCLH</sub> | 3 t <sub>CYC</sub> +300  | —                  | ns   |                 |
|               | SCL input low pulse width                   | t <sub>SCLL</sub> | 5 t <sub>CYC</sub> +300  | —                  | ns   |                 |
|               | SCL, SDA Input falling time                 | t <sub>Sf</sub>   | —                        | 300                | ns   |                 |
|               | SCL, SDA Input spike pulse removal time     | t <sub>SP</sub>   | —                        | 1 t <sub>CYC</sub> | ns   |                 |
|               | SDA input bus free time                     | t <sub>BUF</sub>  | 5 t <sub>CYC</sub>       | —                  | ns   |                 |
|               | Start condition input hold time             | t <sub>STAH</sub> | 3 t <sub>CYC</sub>       | —                  | ns   |                 |
|               | Retransmit start condition input setup time | t <sub>STAS</sub> | 3 t <sub>CYC</sub>       | —                  | ns   |                 |
|               | Stop condition input setup time             | t <sub>STOS</sub> | 1 t <sub>CYC</sub> +20   | —                  | ns   |                 |
|               | Data input setup time                       | t <sub>SDAS</sub> | 0                        | —                  | ns   |                 |
|               | Data input hold time                        | t <sub>SDAH</sub> | 0                        | —                  | ns   |                 |
|               | SCL, SDA capacitive load                    | C <sub>b</sub>    | —                        | 400                | pF   |                 |
|               | SCL, SDA falling time                       | t <sub>Sf</sub>   | —                        | 300                | ns   |                 |

## 26.3.4 A/D Conversion Characteristics

**Table 26.37 A/D Conversion Characteristics**

Conditions:  $V_{CC} = 3.0\text{ V to }3.6\text{ V}$ ,  $AV_{CC} = 3.0\text{ V to }3.6\text{ V}$ ,  $V_{ref} = 3.0\text{ V to }AV_{CC}$ ,  $V_{SS} = AV_{SS} = 0\text{ V}$ ,  $\phi = 8\text{ MHz to }34\text{ MHz}$ ,  $T_a = -20^\circ\text{C to }+75^\circ\text{C}$  (regular specifications),  
 $T_a = -40^\circ\text{C to }+85^\circ\text{C}$  (wide-range specifications)

| Item                                | Min. | Typ. | Max.      | Unit          |
|-------------------------------------|------|------|-----------|---------------|
| Resolution                          | 10   | 10   | 10        | Bit           |
| Conversion time                     | 7.6  | —    | —         | $\mu\text{s}$ |
| Analog input capacitance            | —    | —    | 20        | pF            |
| Permissible signal source impedance | —    | —    | 5         | k $\Omega$    |
| Nonlinearity error                  | —    | —    | $\pm 5.5$ | LSB           |
| Offset error                        | —    | —    | $\pm 5.5$ | LSB           |
| Full-scale error                    | —    | —    | $\pm 5.5$ | LSB           |
| Quantization error                  | —    | —    | $\pm 0.5$ | LSB           |
| Absolute accuracy                   | —    | —    | $\pm 6.0$ | LSB           |

## 26.3.5 D/A Conversion Characteristics

**Table 26.38 D/A Conversion Characteristics**

Conditions:  $V_{CC} = 3.0\text{ V to }3.6\text{ V}$ ,  $AV_{CC} = 3.0\text{ V to }3.6\text{ V}$ ,  $V_{ref} = 3.0\text{ V to }AV_{CC}$ ,  $V_{SS} = AV_{SS} = 0\text{ V}$ ,  $\phi = 8\text{ MHz to }34\text{ MHz}$ ,  $T_a = -20^\circ\text{C to }+75^\circ\text{C}$  (regular specifications),  
 $T_a = -40^\circ\text{C to }+85^\circ\text{C}$  (wide-range specifications)

| Item              | Min. | Typ.      | Max.      | Unit          | Test Conditions             |
|-------------------|------|-----------|-----------|---------------|-----------------------------|
| Resolution        | 8    | 8         | 8         | Bit           |                             |
| Conversion time   | —    | —         | 10        | $\mu\text{s}$ | 20 pF capacitive load       |
| Absolute accuracy | —    | $\pm 2.0$ | $\pm 3.0$ | LSB           | 2 M $\Omega$ resistive load |
|                   | —    | —         | $\pm 2.0$ | LSB           | 4 M $\Omega$ resistive load |

## 26.3.6 Flash Memory Characteristics

Table 26.39 Flash Memory Characteristics (0.18- $\mu\text{m}$  F-ZTAT Version) (512 kbytes)

Conditions:  $V_{CC} = 3.0\text{ V}$  to  $3.6\text{ V}$ ,  $AV_{CC} = 3.0\text{ V}$  to  $3.6\text{ V}$ ,  $V_{ref} = 3.0\text{ V}$  to  $AV_{CC}$ ,  
 $V_{SS} = AV_{SS} = 0\text{ V}$ ,  $T_a = 0^\circ\text{C}$  to  $75^\circ\text{C}$  (Programming/Erasing Operating Temperature Range: Normal Specifications),  $T_a = 0^\circ\text{C}$  to  $85^\circ\text{C}$  (Programming/Erasing Operating Temperature Range: Extended Temperature Range Specifications)

| Item   | Symbol          | Min.              | Typ. | Max. | Unit             | Test Conditions          |
|--|-----------------|-------------------|------|------|------------------|--------------------------|
| Programming time <sup>*1 *2 *4</sup>                   | $t_P$           | —                 | 1    | 10   | ms/<br>128 bytes |                          |
| Erase time <sup>*1 *2 *4</sup>                         | $t_E$           | —                 | 250  | 1500 | ms/<br>4 kbytes  |                          |
|  |                 |                   | 500  | 4000 | ms/<br>32 kbytes |                          |
|  |                 |                   | 750  | 6500 | ms/<br>64 kbytes |                          |
| Programming time (total) <sup>*1 *2 *4</sup>           | $\Sigma t_P$    | —                 | 4    | 12   | s/512 kbytes     | $T_a = 25^\circ\text{C}$ |
| Erase time (total) <sup>*1 *2 *4</sup>                 | $\Sigma t_E$    | —                 | 7    | 20   | s/512 kbytes     | $T_a = 25^\circ\text{C}$ |
| Programming and erase time (total) <sup>*1 *2 *4</sup> | $\Sigma t_{PE}$ | —                 | 11   | 32   | s/512 kbytes     | $T_a = 25^\circ\text{C}$ |
| Rewrite times  | $N_{WEC}$       | 100 <sup>*3</sup> | —    | —    | Times            |                          |
| Data storage time <sup>*4</sup>                        | $t_{DRP}$       | 10                | —    | —    | Year             |                          |

- Notes: 1. Actual programming and erase times are dependent on data characteristics.  
2. Programming and erase times do not include data transfer time.  
3. The minimum number of times for which all characteristics are guaranteed. (The guaranteed range is from 1 to the minimum number of times.)  
4. Rewrite characteristics are for the operating range including the minimum value.



**Table 26.40 Flash Memory Characteristics (0.18- $\mu$ m F-ZTAT Version) (384 kbytes)**

Conditions:  $V_{CC} = 3.0\text{ V to }3.6\text{ V}$ ,  $AV_{CC} = 3.0\text{ V to }3.6\text{ V}$ ,  $V_{ref} = 3.0\text{ V to }AV_{CC}$ ,  
 $V_{SS} = AV_{SS} = 0\text{ V}$ ,  $T_a = 0^\circ\text{C to }75^\circ\text{C}$  (Programming/Erasing Operating Temperature Range: Normal Specifications),  $T_a = 0^\circ\text{C to }85^\circ\text{C}$  (Programming/Erasing Operating Temperature Range: Extended Temperature Range Specifications)

| Item   | Symbol          | Min.       | Typ. | Max. | Unit             | Test Conditions          |
|--|-----------------|------------|------|------|------------------|--------------------------|
| Programming time <sup>*1 *2 *4</sup>                   | $t_P$           | —          | 1    | 10   | ms/<br>128 bytes |                          |
| Erase time <sup>*1 *2 *4</sup>                         | $t_E$           | —          | 250  | 1500 | ms/<br>4 kbytes  |                          |
|  |                 | —          | 500  | 4000 | ms/<br>32 kbytes |                          |
|  |                 | —          | 750  | 6500 | ms/<br>64 kbytes |                          |
| Programming time (total) <sup>*1 *2 *4</sup>           | $\Sigma t_P$    | —          | 3    | 9    | s/384 kbytes     | $T_a = 25^\circ\text{C}$ |
| Erase time (total) <sup>*1 *2 *4</sup>                 | $\Sigma t_E$    | —          | 7    | 20   | s/384 kbytes     | $T_a = 25^\circ\text{C}$ |
| Programming and erase time (total) <sup>*1 *2 *4</sup> | $\Sigma t_{PE}$ | —          | 10   | 29   | s/384 kbytes     | $T_a = 25^\circ\text{C}$ |
| Rewrite times  | $N_{WEC}$       | $100^{*3}$ | —    | —    | Times            |                          |
| Data storage time <sup>*4</sup>                        | $t_{DRP}$       | 10         | —    | —    | Year             |                          |

- Notes: 1. Actual programming and erase times are dependent on data characteristics.  
2. Programming and erase times do not include data transfer time.  
3. The minimum number of times for which all characteristics are guaranteed. (The guaranteed range is from 1 to the minimum number of times.)  
4. Rewrite characteristics are for the operating range including the minimum value.

**Table 26.41 Flash Memory Characteristics (0.18- $\mu\text{m}$  F-ZTAT Version) (256 kbytes)**

Conditions:  $V_{CC} = 3.0\text{ V to }3.6\text{ V}$ ,  $AV_{CC} = 3.0\text{ V to }3.6\text{ V}$ ,  $V_{ref} = 3.0\text{ V to }AV_{CC}$ ,  
 $V_{SS} = AV_{SS} = 0\text{ V}$ ,  $T_a = 0^\circ\text{C to }75^\circ\text{C}$  (Programming/Erasing Operating Temperature Range: Normal Specifications),  $T_a = 0^\circ\text{C to }85^\circ\text{C}$  (Programming/Erasing Operating Temperature Range: Extended Temperature Range Specifications)

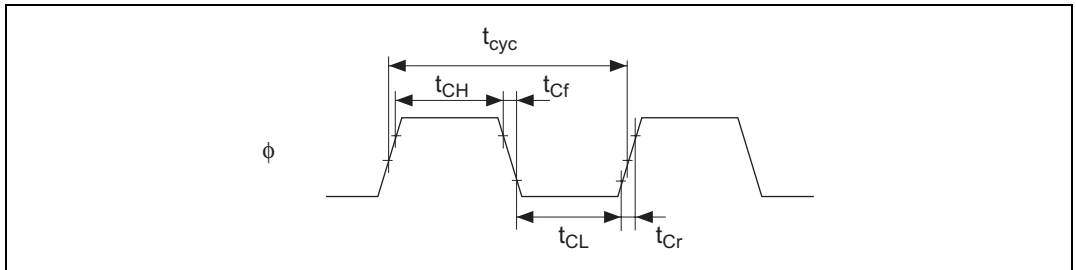
| Item   | Symbol          | Min.              | Typ. | Max. | Unit             | Test Conditions          |
|--|-----------------|-------------------|------|------|------------------|--------------------------|
| Programming time <sup>*1 *2 *4</sup>                   | $t_P$           | —                 | 1    | 10   | ms/<br>128 bytes |                          |
| Erase time <sup>*1 *2 *4</sup>                         | $t_E$           | —                 | 250  | 1500 | ms/<br>4 kbytes  |                          |
|  |                 |                   | 500  | 4000 | ms/<br>32 kbytes |                          |
|  |                 |                   | 750  | 6500 | ms/<br>64 kbytes |                          |
| Programming time (total) <sup>*1 *2 *4</sup>           | $\Sigma t_P$    | —                 | 2    | 6    | s/256 kbytes     | $T_a = 25^\circ\text{C}$ |
| Erase time (total) <sup>*1 *2 *4</sup>                 | $\Sigma t_E$    | —                 | 7    | 20   | s/all blocks     | $T_a = 25^\circ\text{C}$ |
| Programming and erase time (total) <sup>*1 *2 *4</sup> | $\Sigma t_{PE}$ | —                 | 9    | 26   | s/256 kbytes     | $T_a = 25^\circ\text{C}$ |
| Rewrite times  | $N_{WEC}$       | 100 <sup>*3</sup> | —    | —    | Times            |                          |
| Data storage time <sup>*4</sup>                        | $t_{DRP}$       | 10                | —    | —    | Year             |                          |

- Notes: 1. Actual programming and erase times are dependent on data characteristics.  
2. Programming and erase times do not include data transfer time.  
3. The minimum number of times for which all characteristics are guaranteed. (The guaranteed range is from 1 to the minimum number of times.)  
4. Rewrite characteristics are for the operating range including the minimum value.

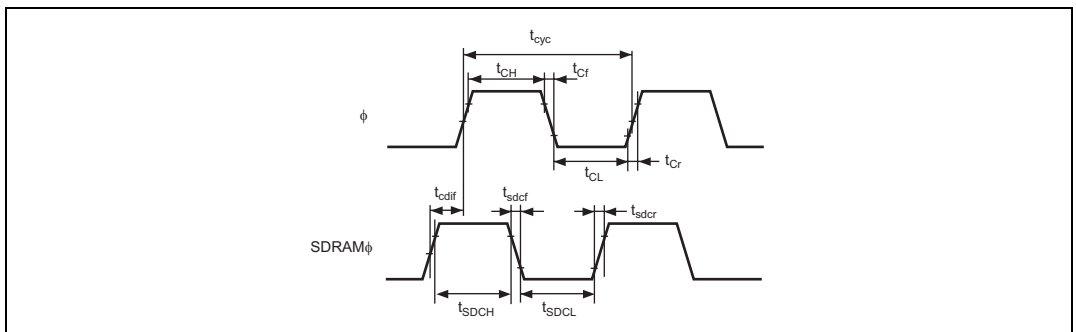
## 26.4 Timing Charts

### 26.4.1 Clock Timing

The clock timings are shown below.



**Figure 26.2 System Clock Timing**



**Figure 26.3 SDRAM $\phi$  Timing**

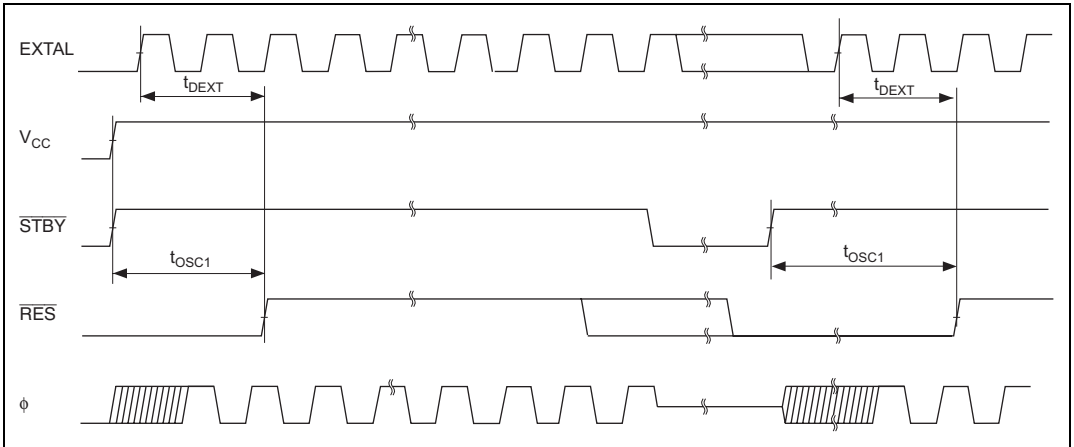


Figure 26.4 (1) Oscillation Settling Timing

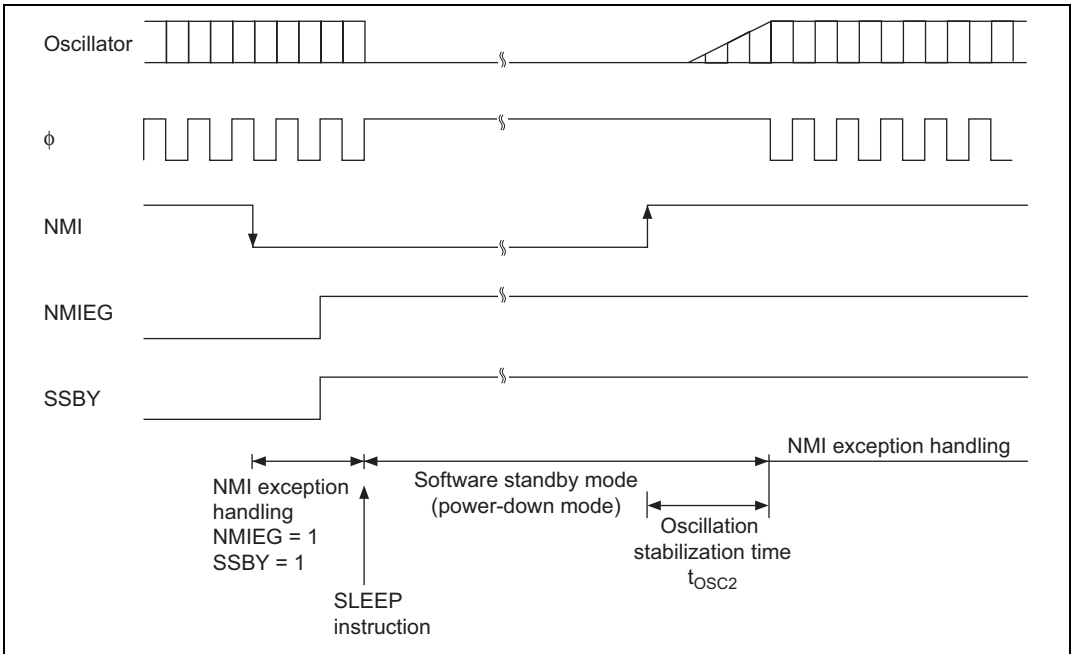
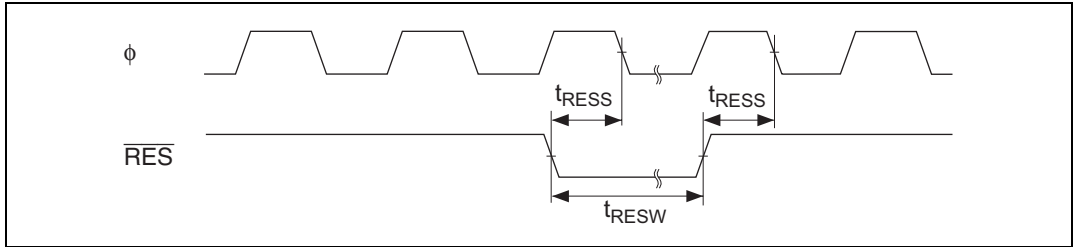


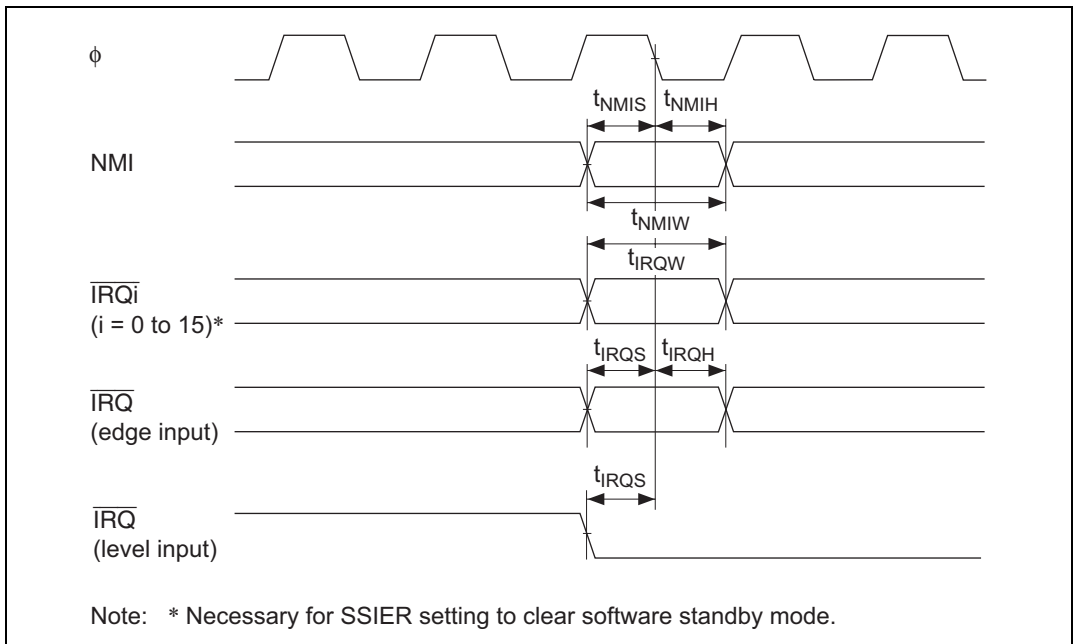
Figure 26.4 (2) Oscillation Settling Timing

## 26.4.2 Control Signal Timing

The control signal timings are shown below.



**Figure 26.5 Reset Input Timing**



**Figure 26.6 Interrupt Input Timing**

## 26.4.3 Bus Timing

The bus timings are shown below.

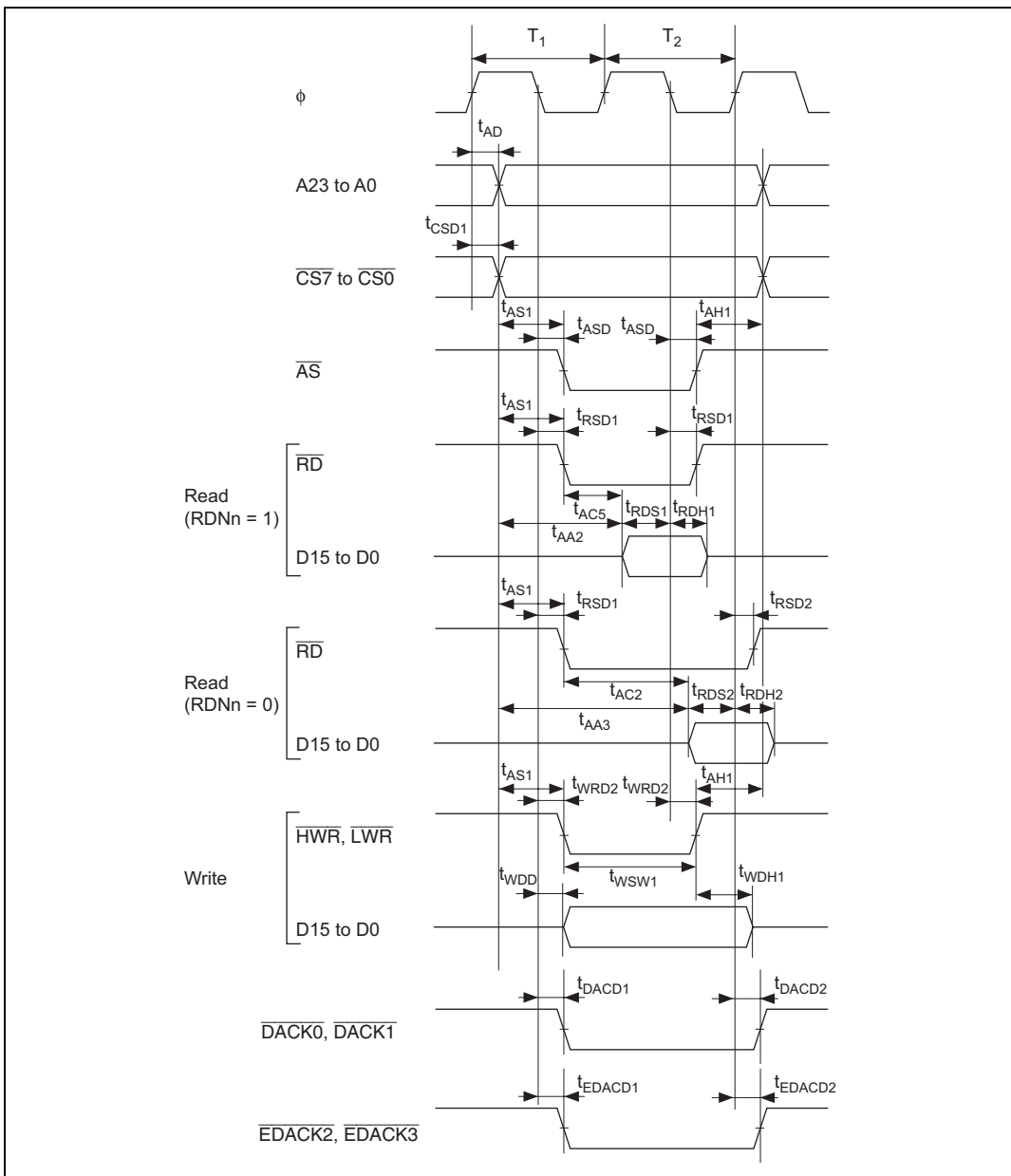


Figure 26.7 Basic Bus Timing: Two-State Access

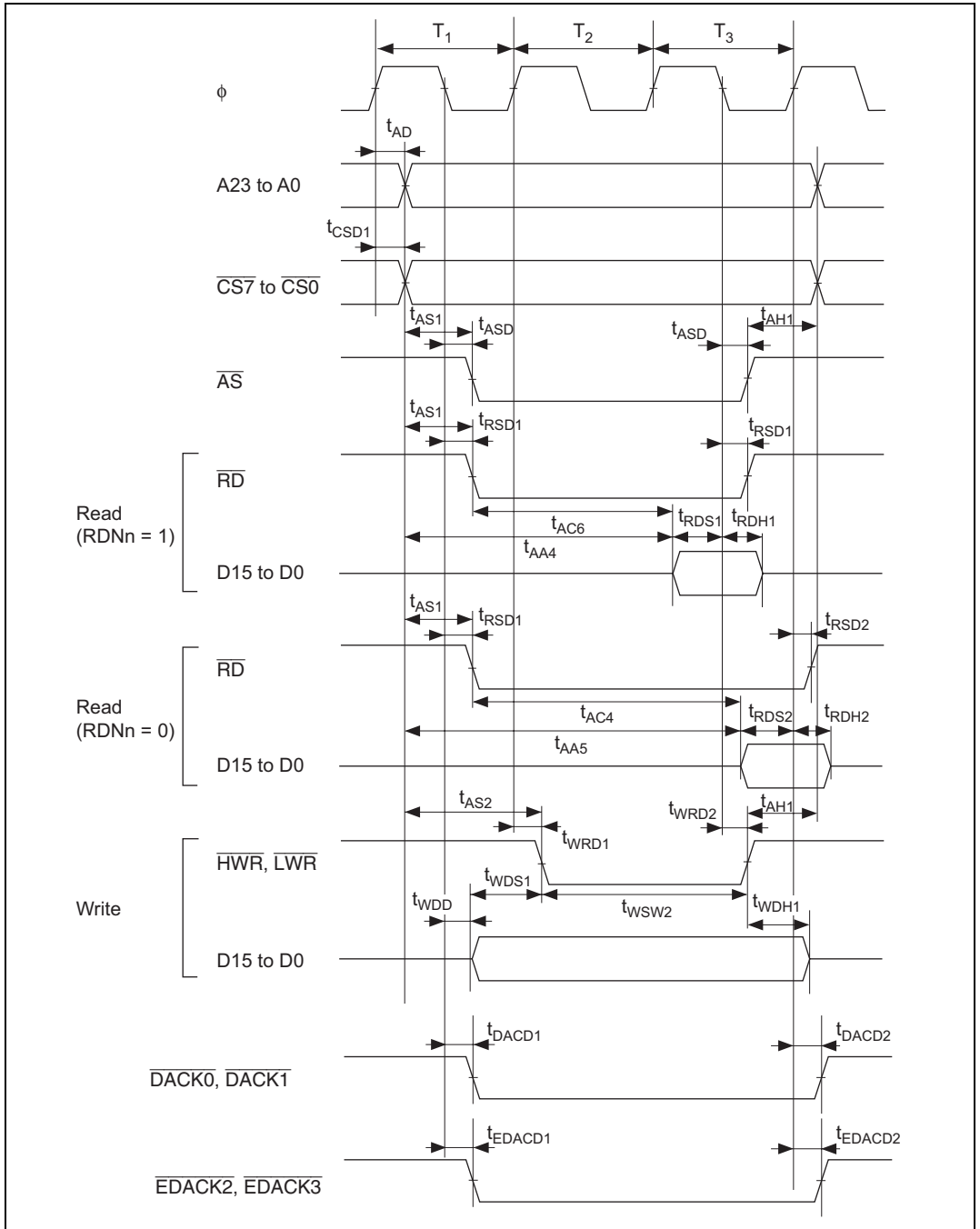
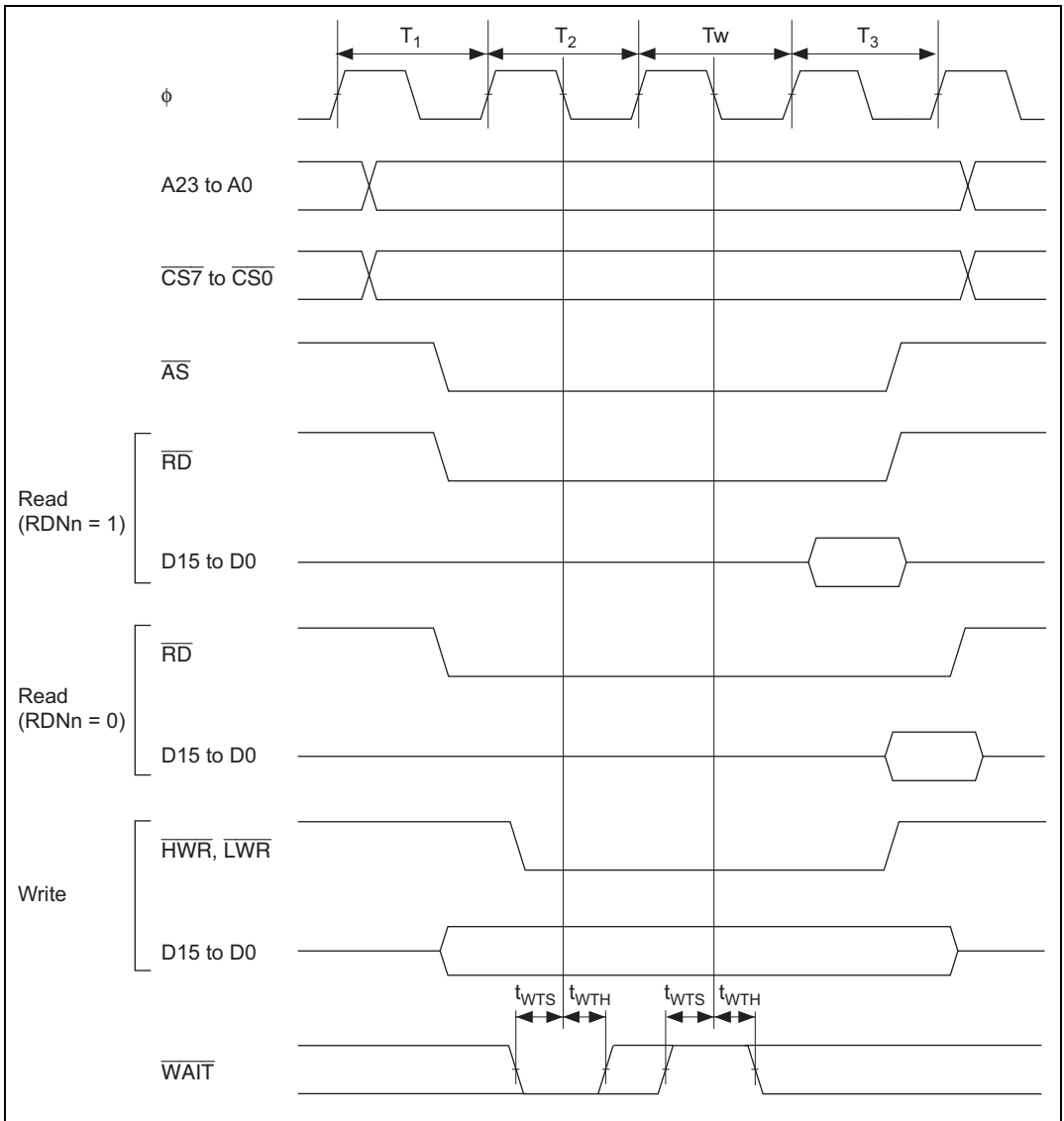
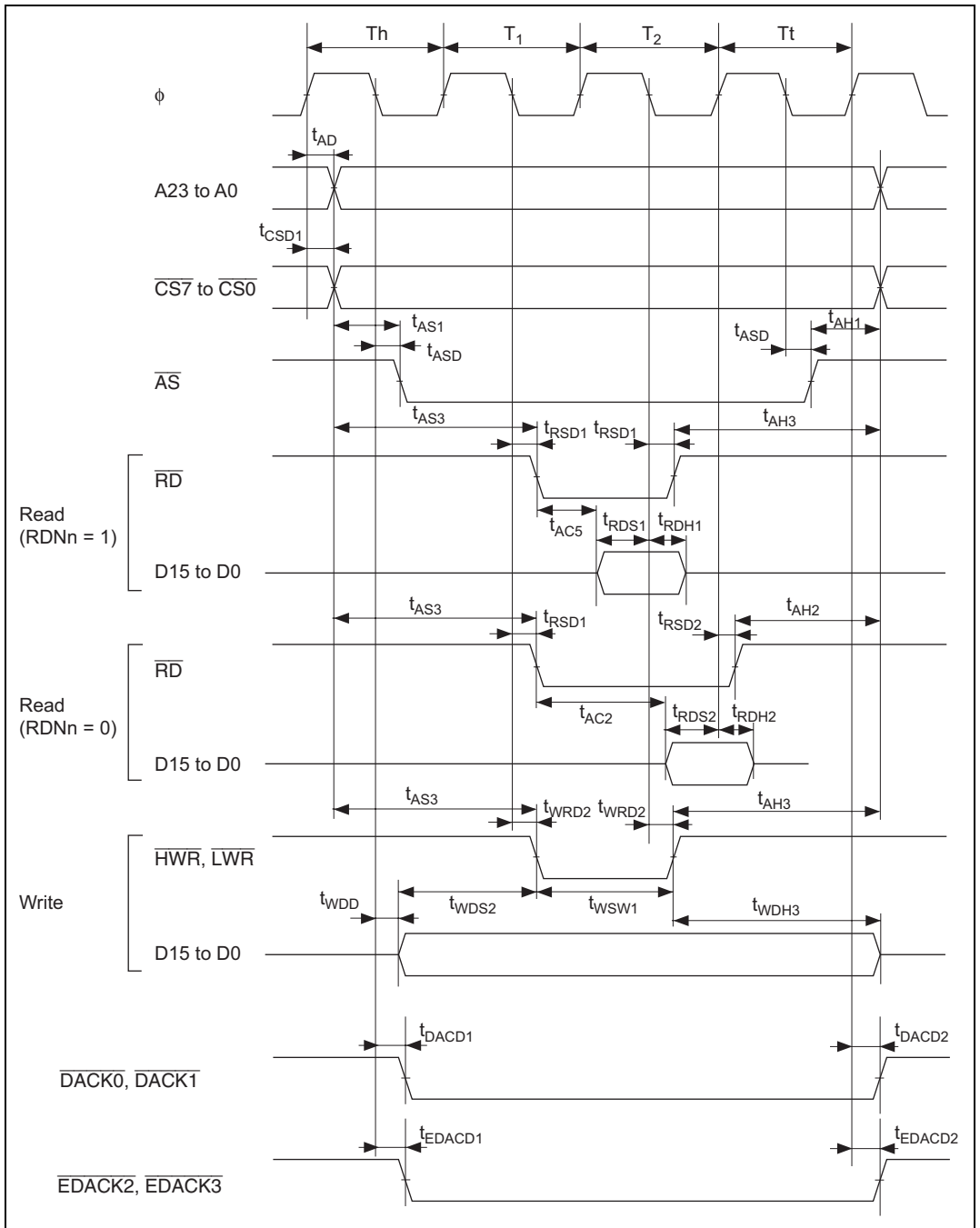


Figure 26.8 Basic Bus Timing: Three-State Access



**Figure 26.9 Basic Bus Timing: Three-State Access, One Wait**





**Figure 26.10 Basic Bus Timing: Two-State Access ( $\overline{CS}$  Assertion Period Extended)**

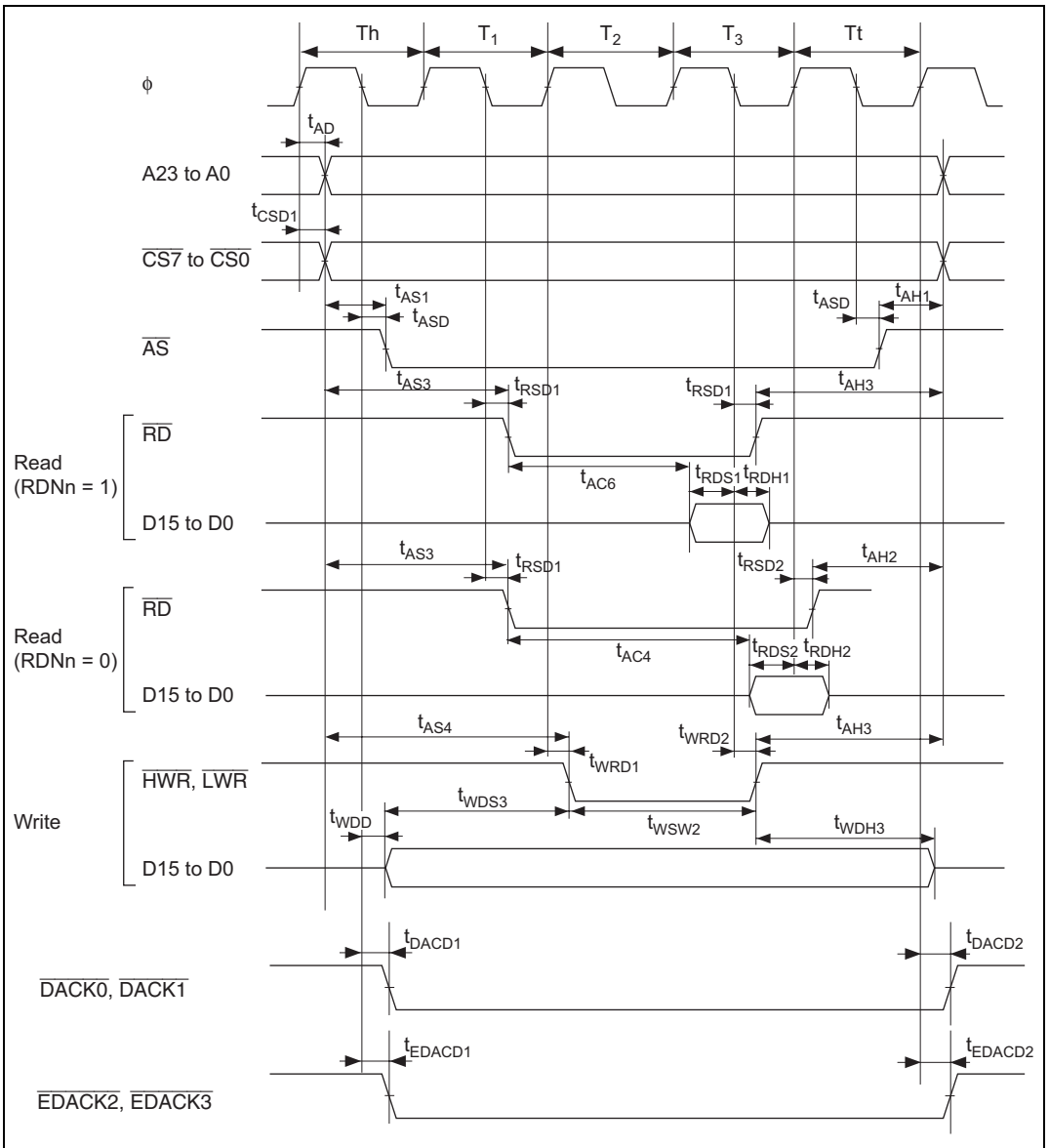
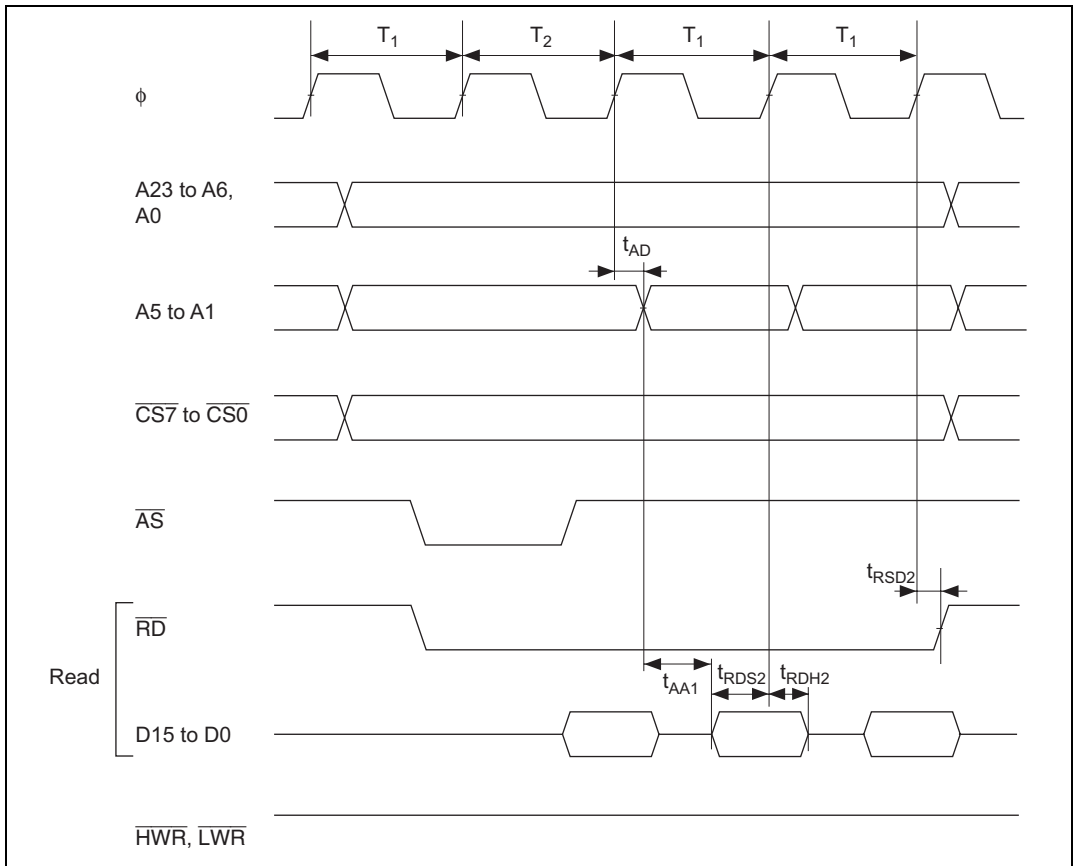
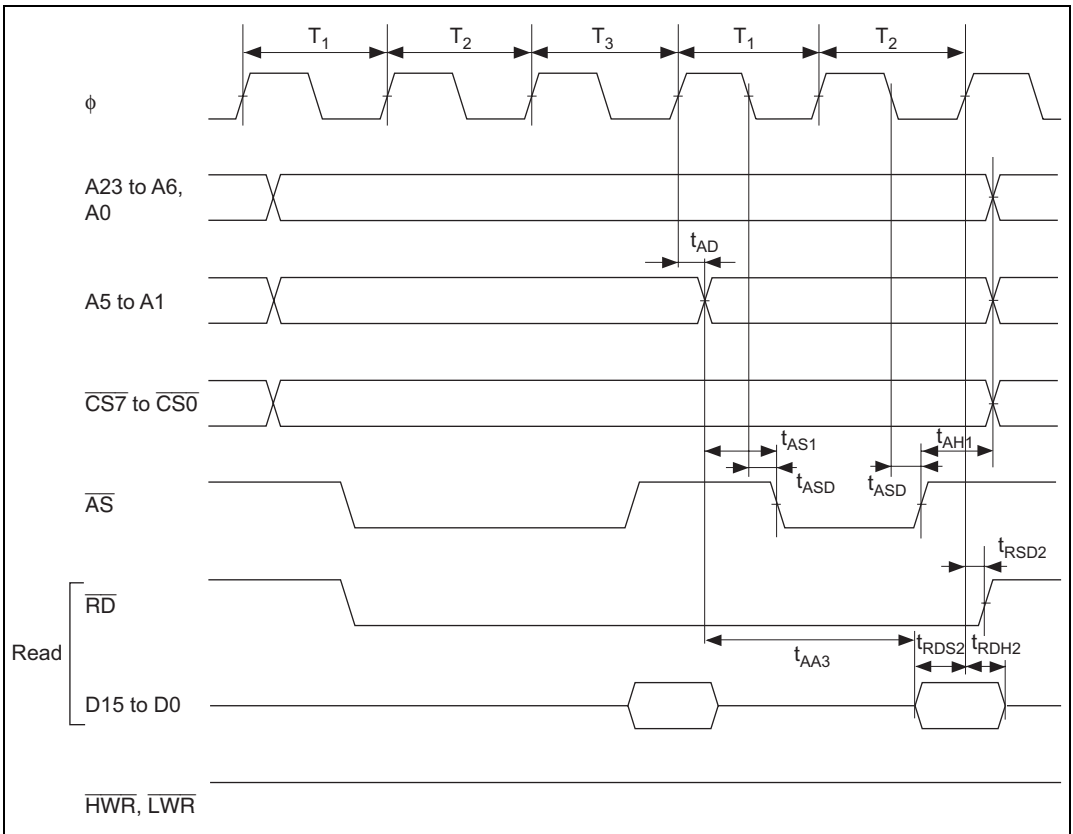


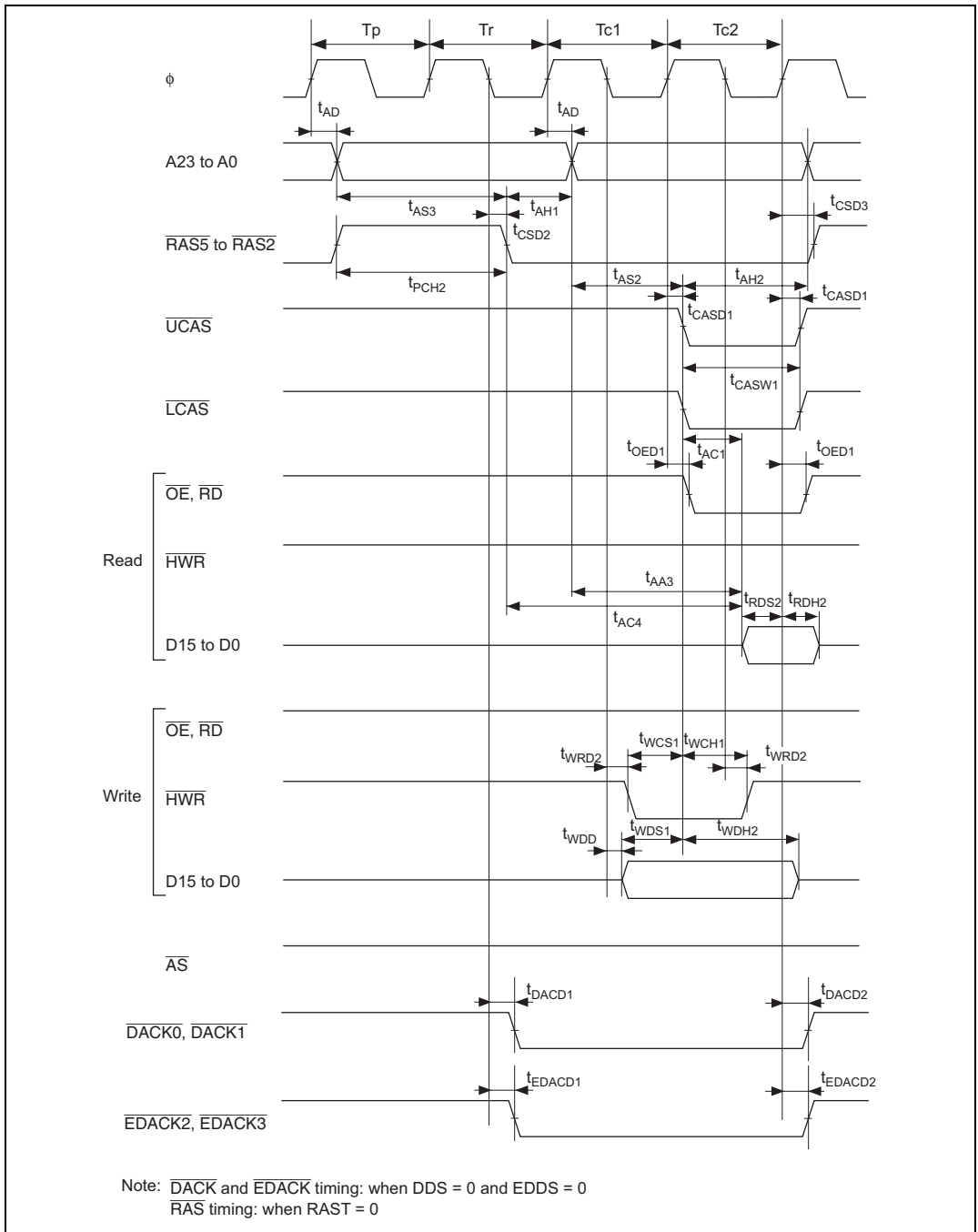
Figure 26.11 Basic Bus Timing: Three-State Access ( $\overline{CS}$  Assertion Period Extended)



**Figure 26.12 Burst ROM Access Timing: One-State Burst Access**



**Figure 26.13 Burst ROM Access Timing: Two-State Burst Access**



**Figure 26.14 DRAM Access Timing: Two-State Access**

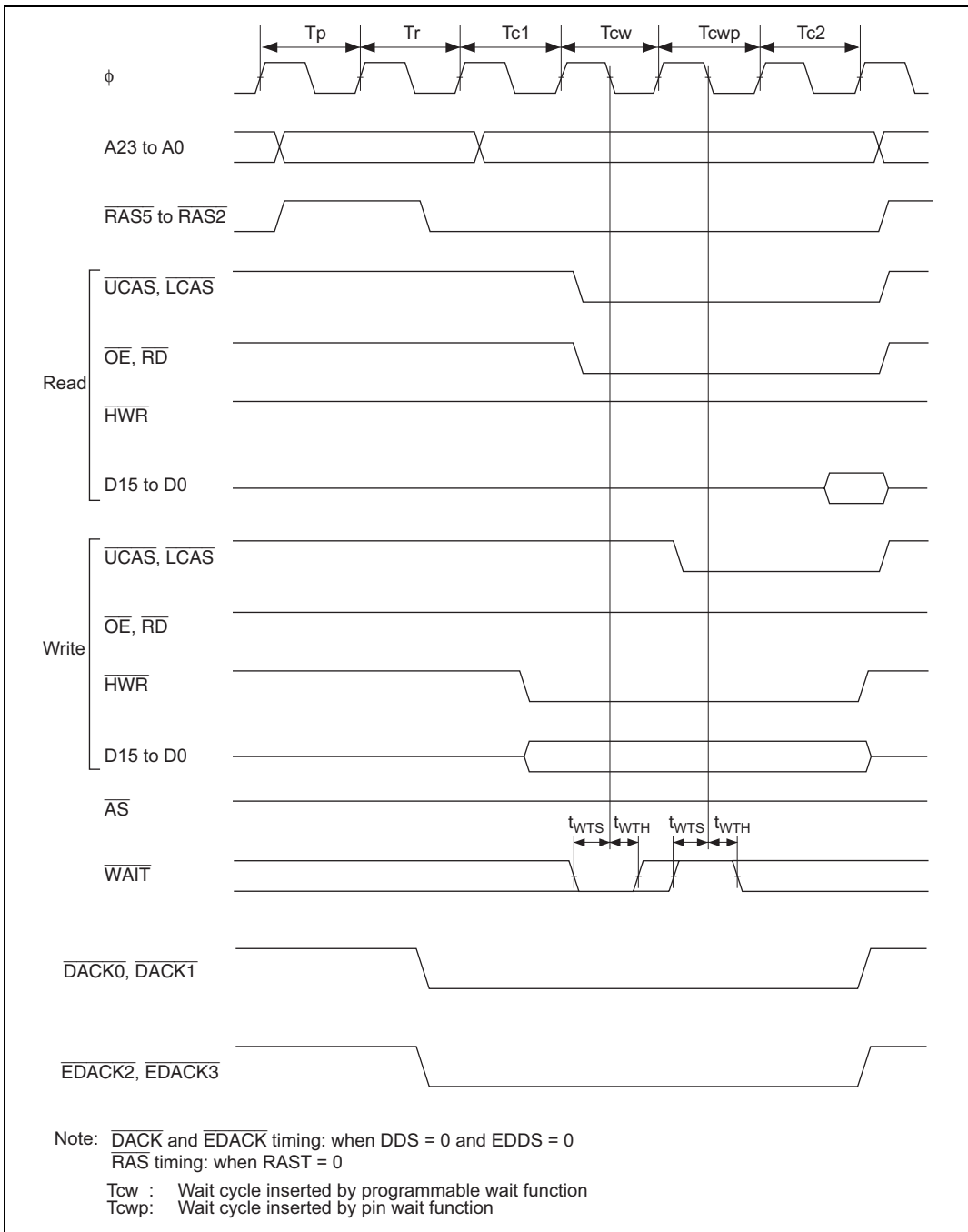
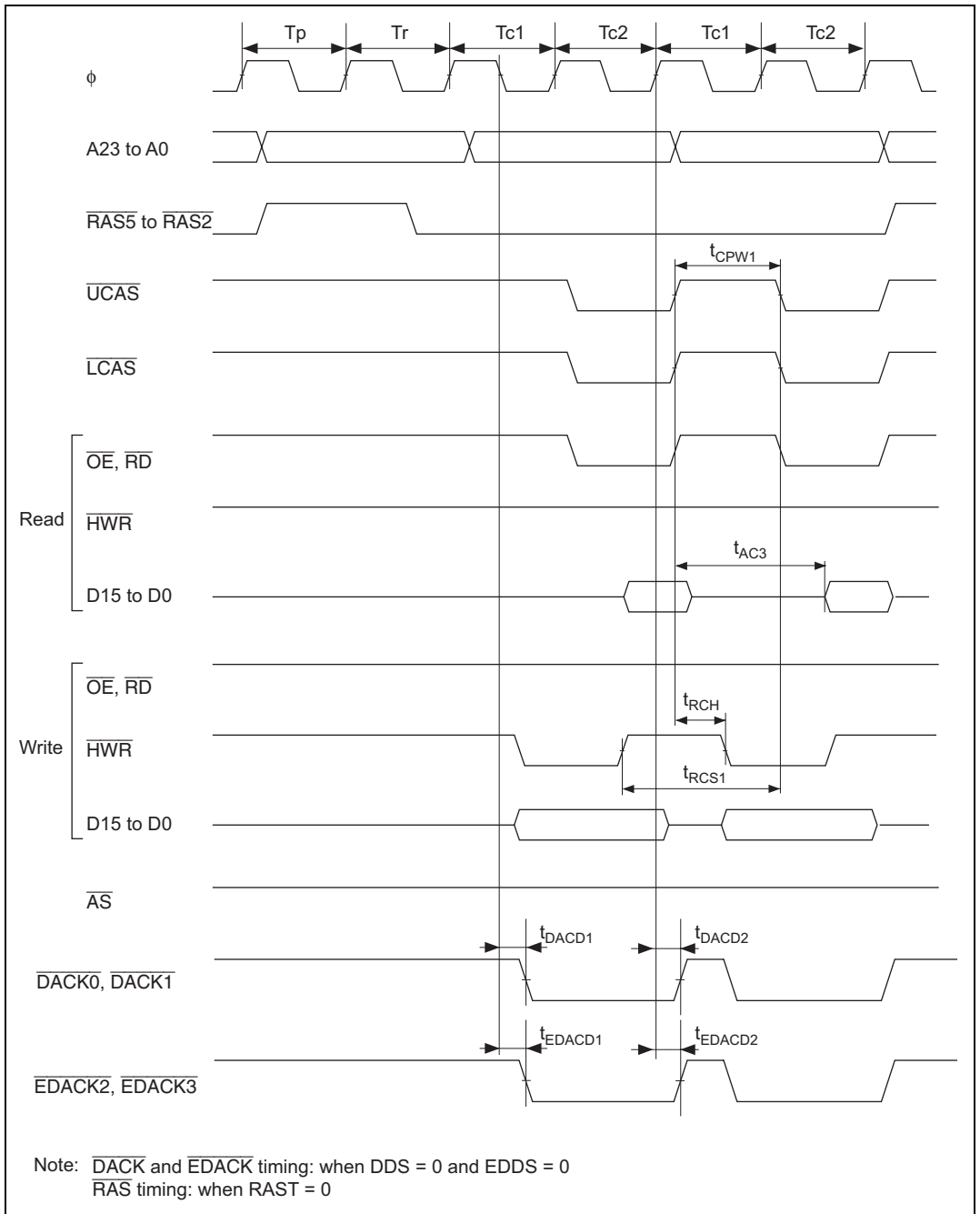
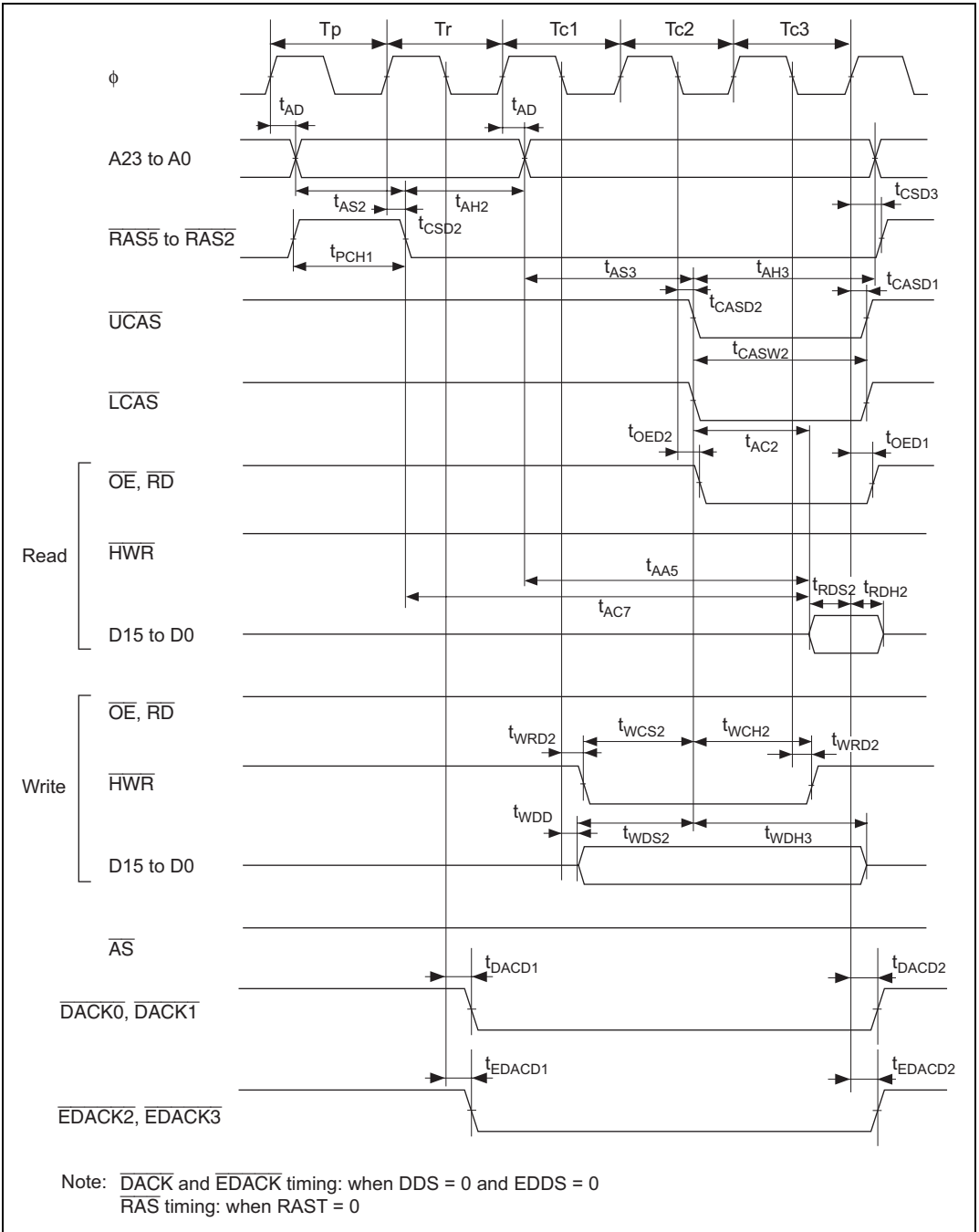


Figure 26.15 DRAM Access Timing: Two-State Access, One Wait

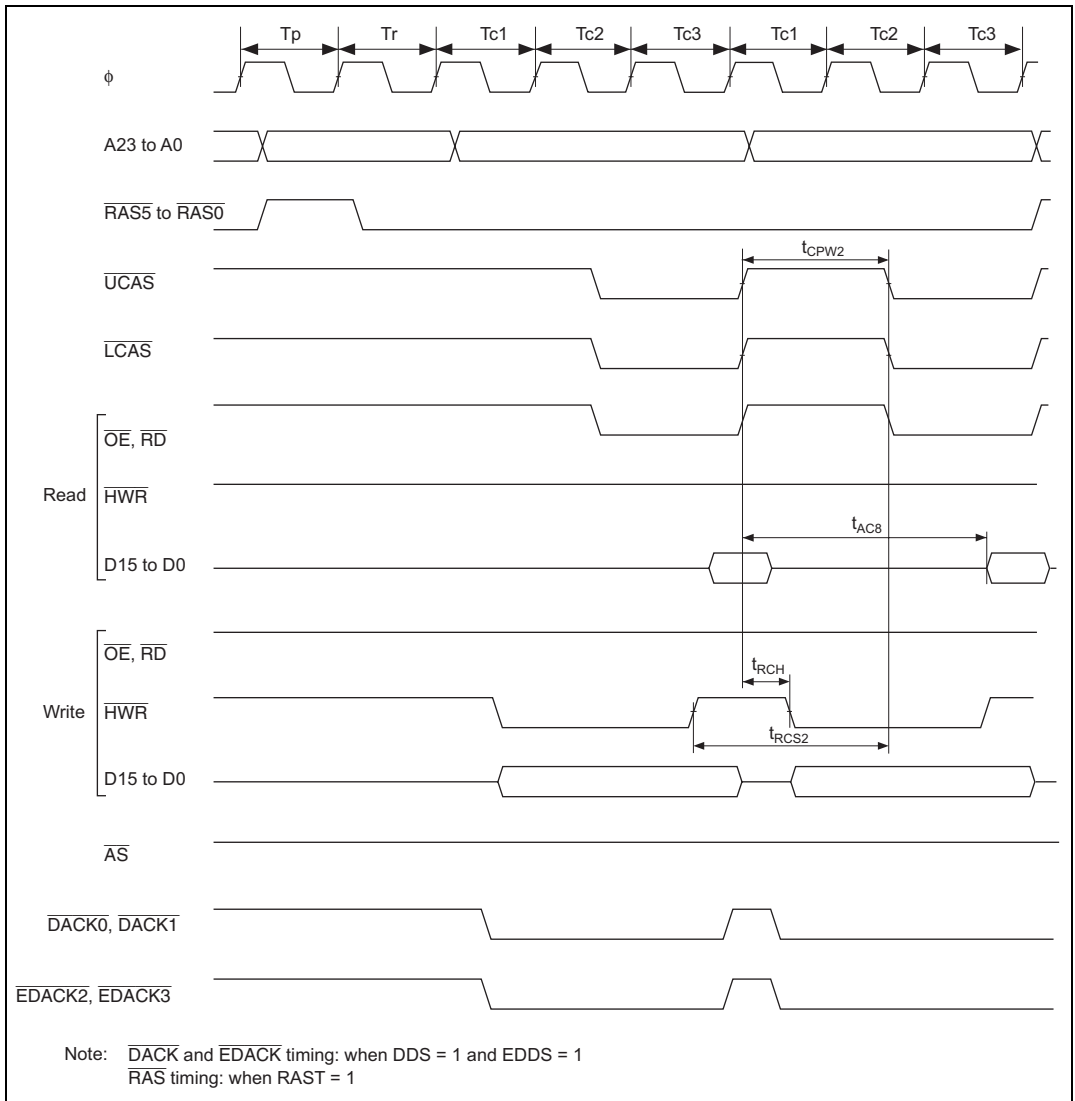


**Figure 26.16 DRAM Access Timing: Two-State Burst Access**

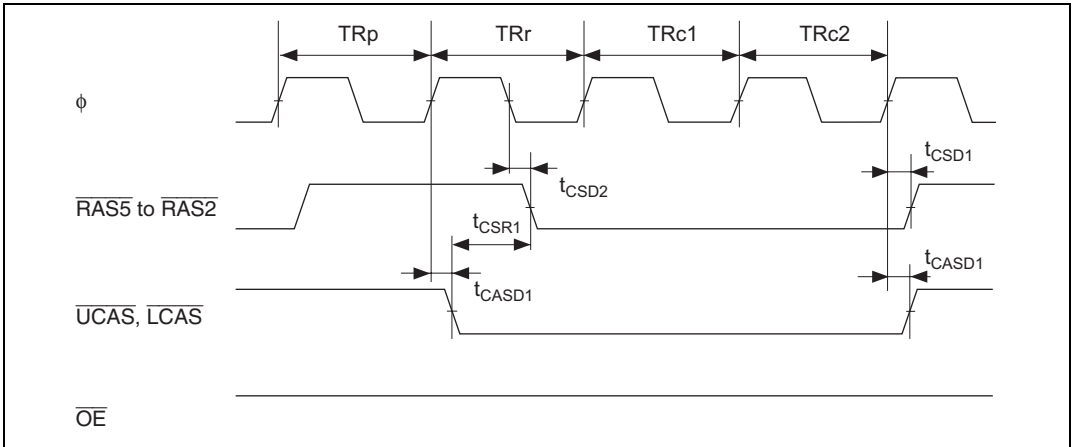


**Figure 26.17 DRAM Access Timing: Three-State Access (RAST = 1)**

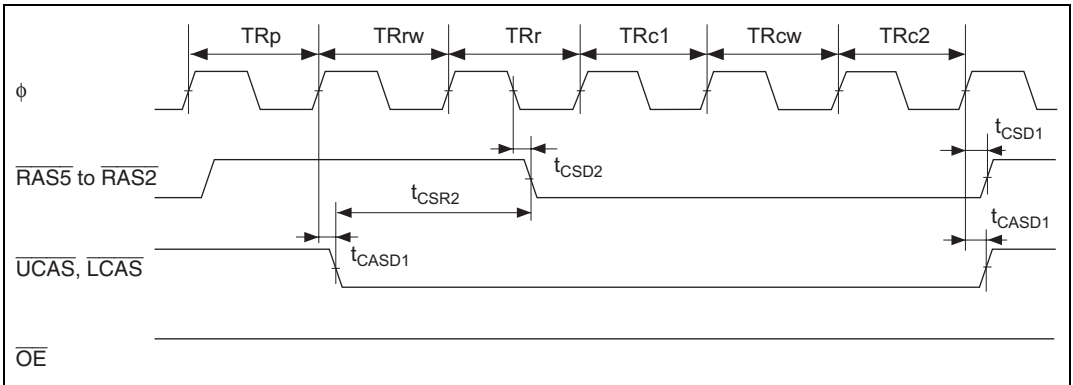




**Figure 26.18 DRAM Access Timing: Three-State Burst Access**



**Figure 26.19 CAS-Before-RAS Refresh Timing**



**Figure 26.20 CAS-Before-RAS Refresh Timing (with Wait Cycle Insertion)**

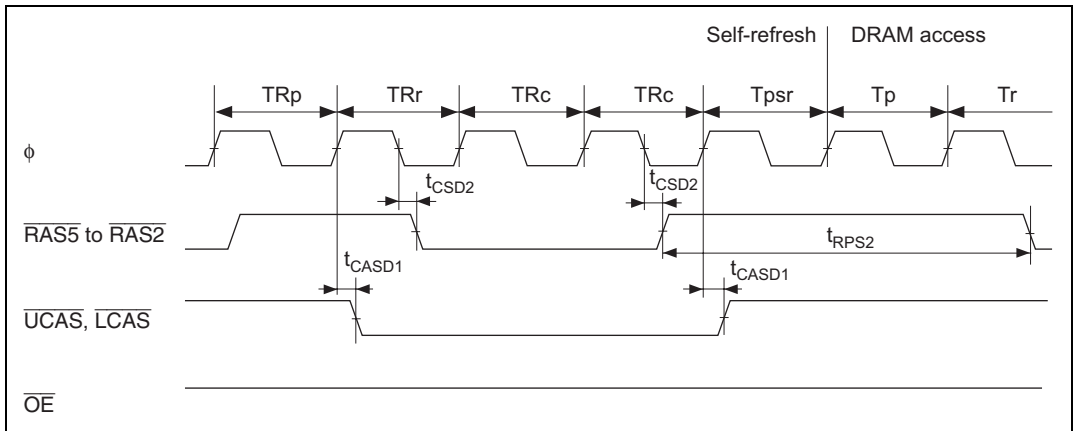


Figure 26.21 Self-Refresh Timing (Return from Software Standby Mode: RAST = 0)

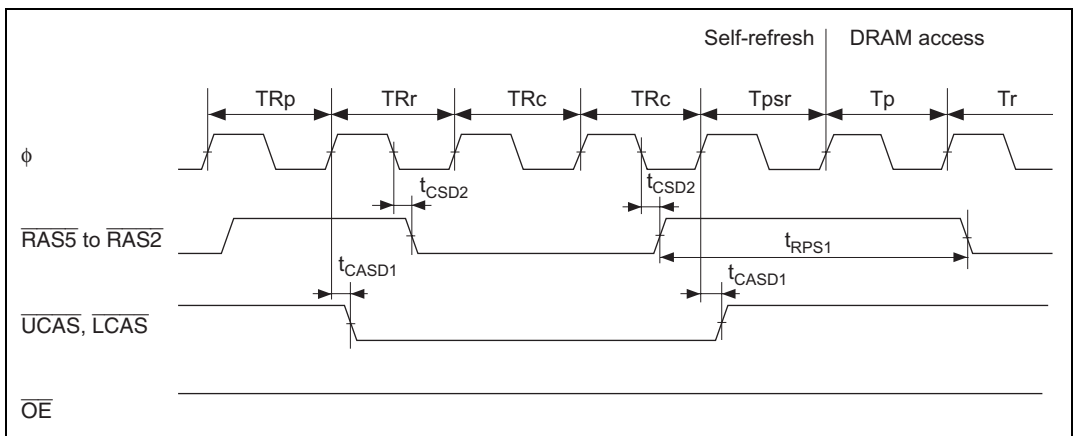


Figure 26.22 Self-Refresh Timing (Return from Software Standby Mode: RAST = 1)

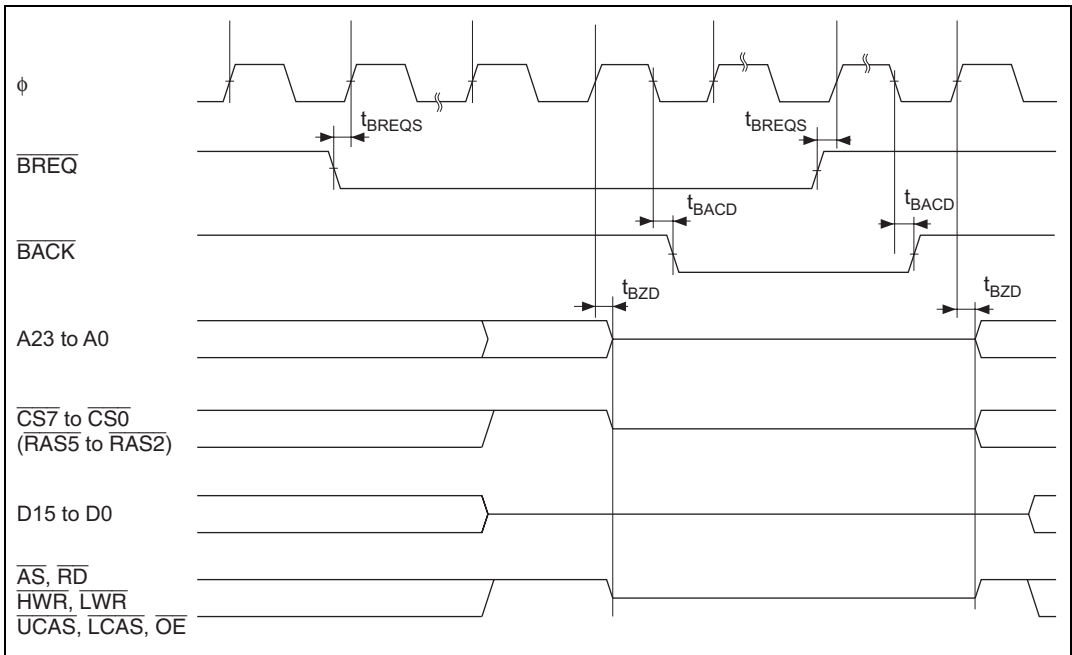


Figure 26.23 External Bus Release Timing

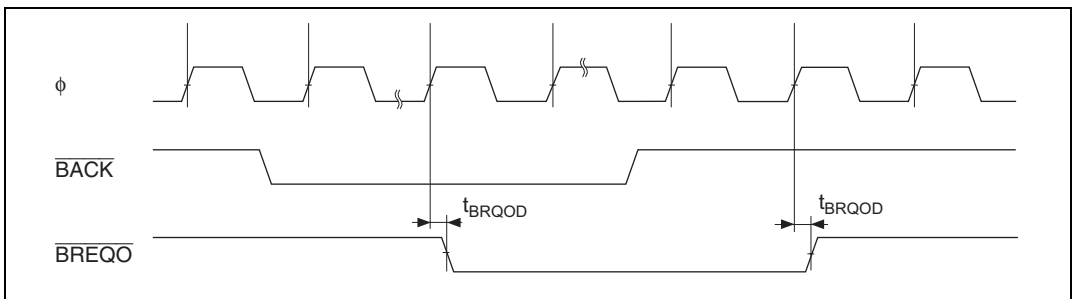


Figure 26.24 External Bus Request Output Timing

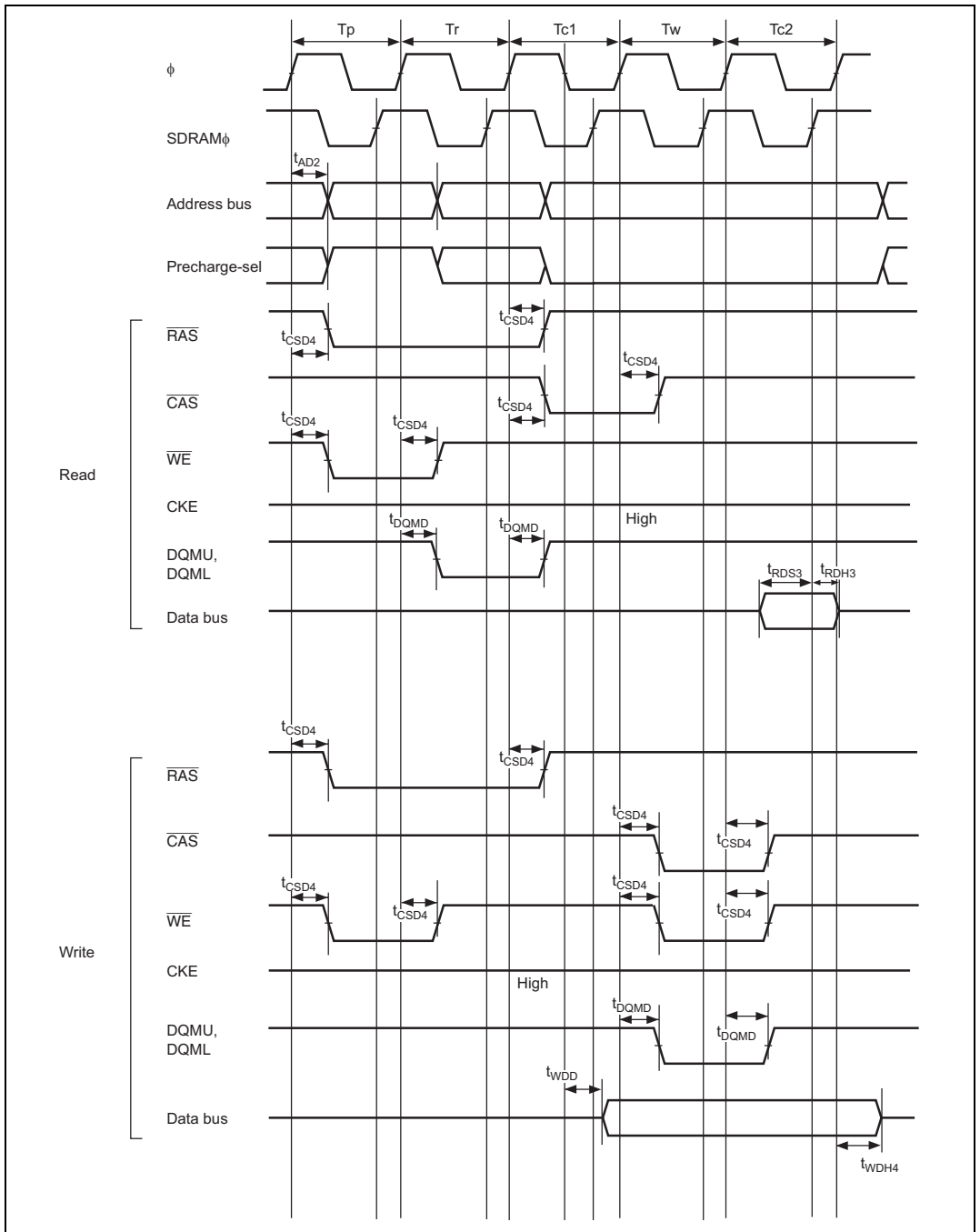
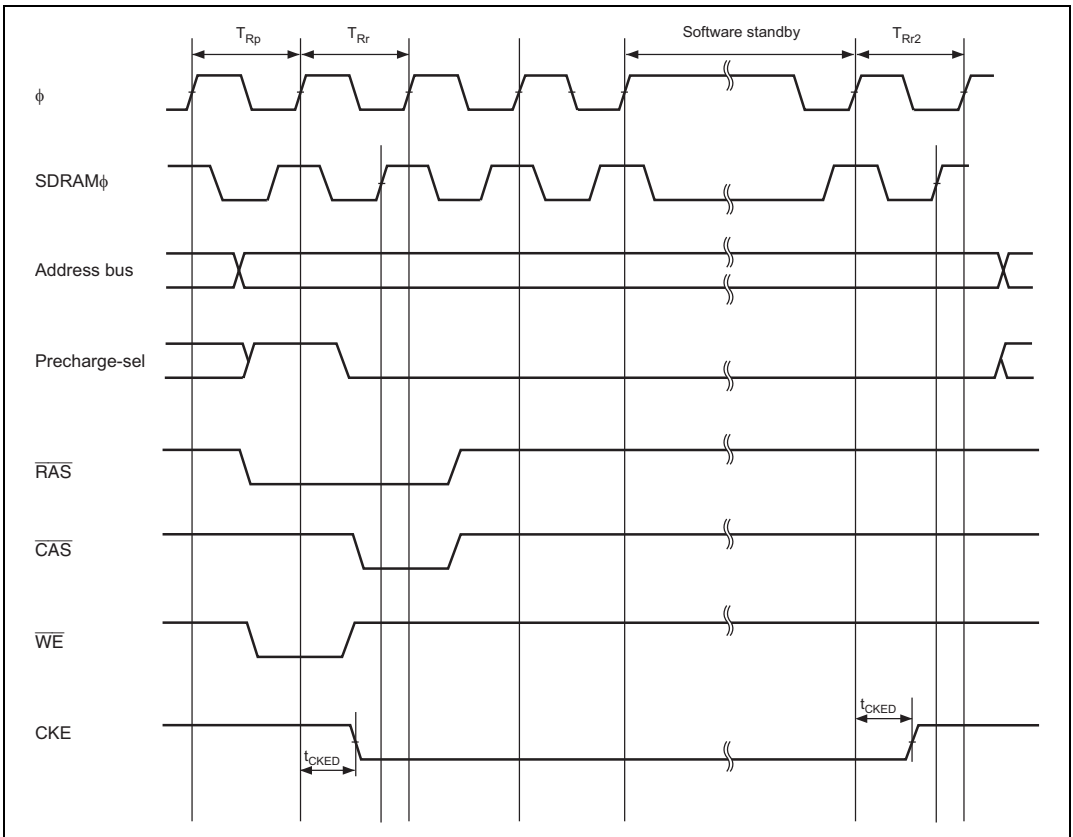
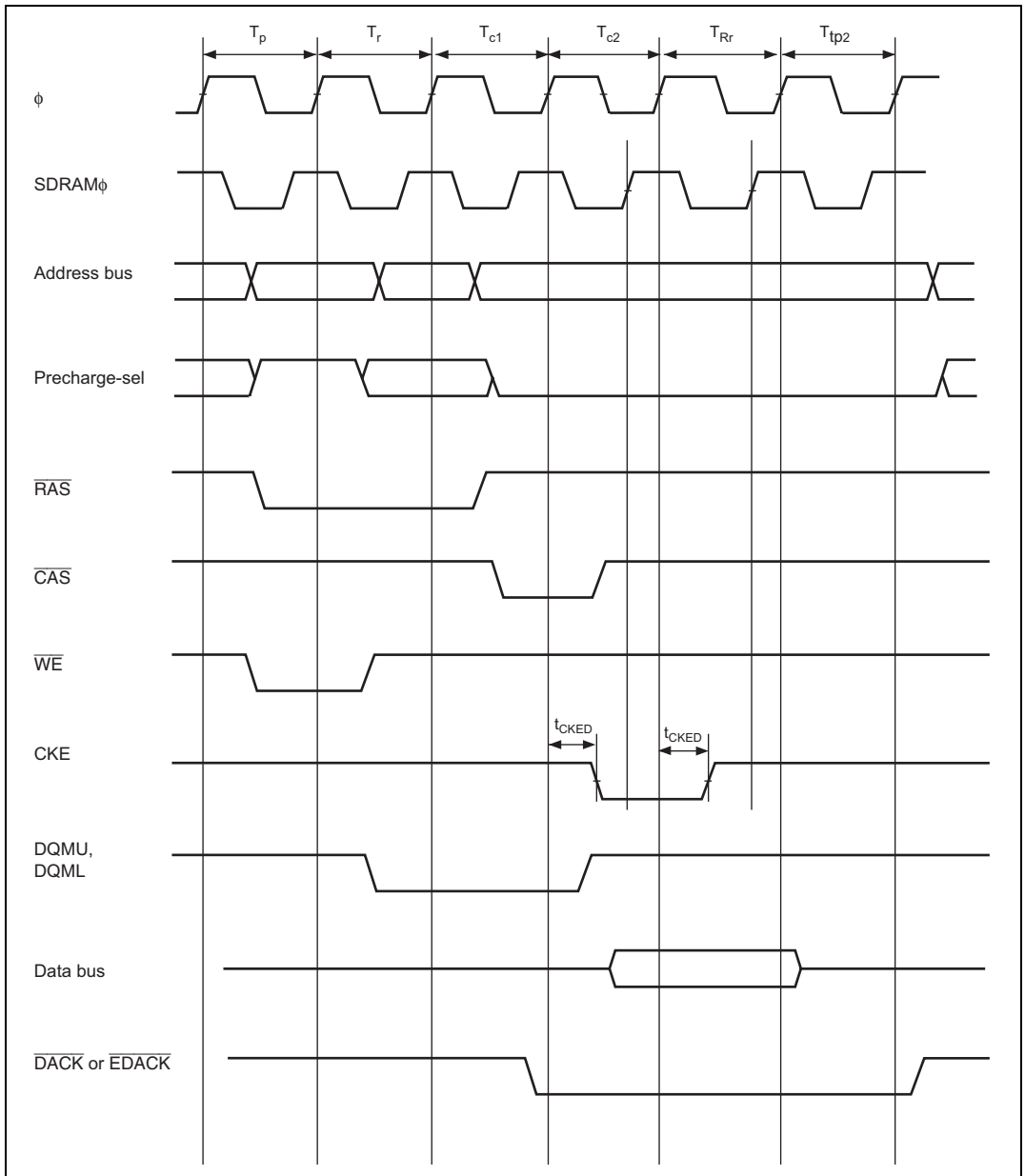


Figure 26.25 Synchronous DRAM Basic Access Timing (CAS Latency 2)



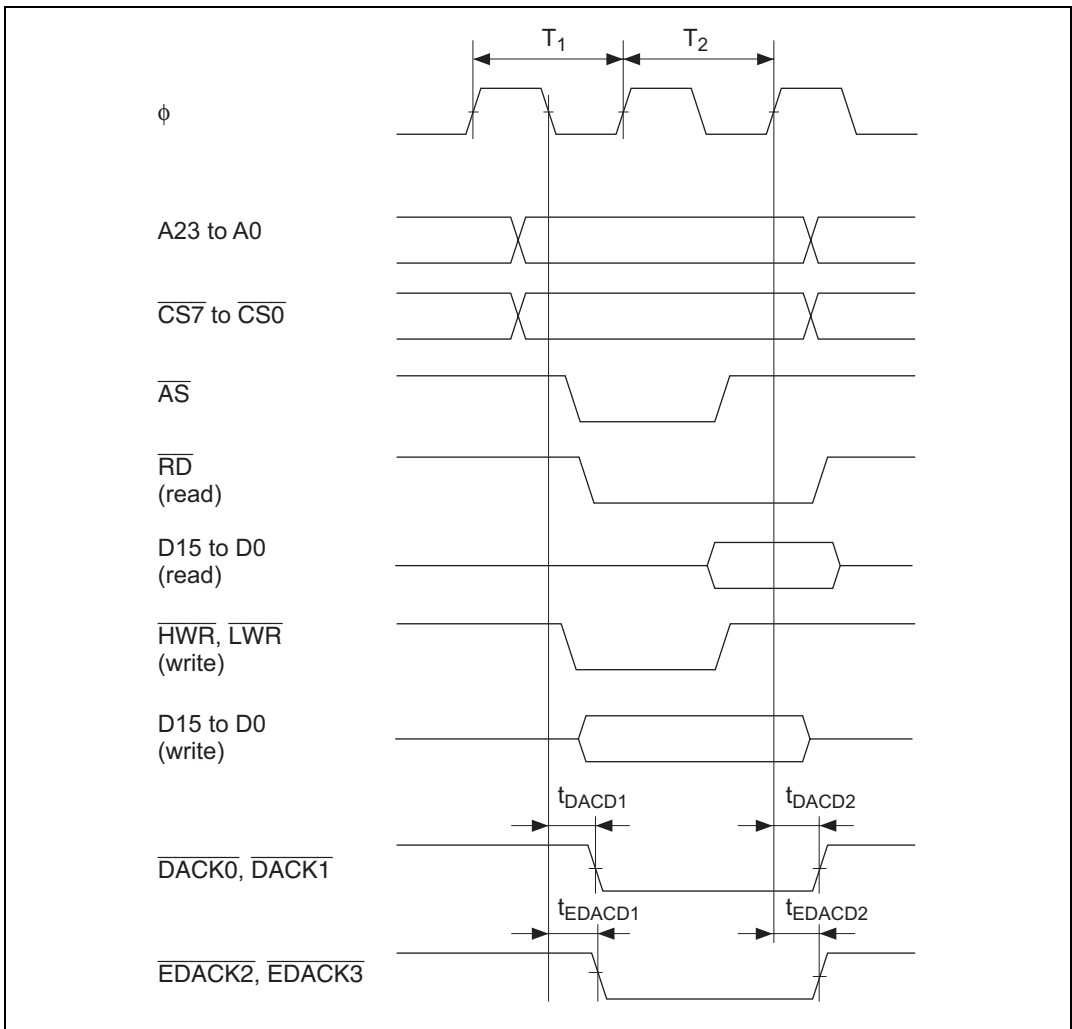
**Figure 26.26 Synchronous DRAM Self-Refresh Timing**



**Figure 26.27 Read Data: Two-State Expansion (CAS Latency 2)**

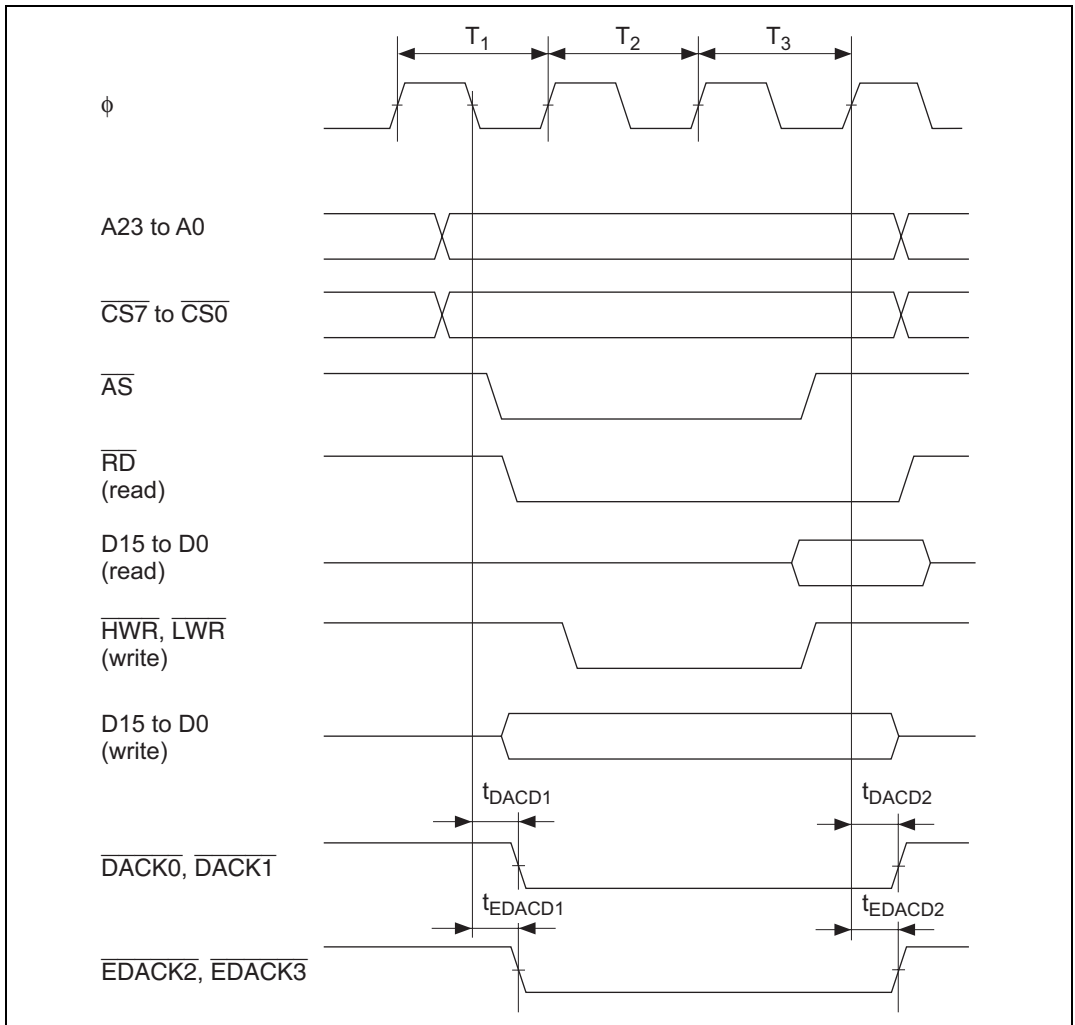
### 26.4.4 DMAC and EXDMAC Timing

The DMAC and EXDMAC timings are shown below.



**Figure 26.28 DMAC and EXDMAC Single Address Transfer Timing: Two-State Access**





**Figure 26.29 DMAC and EXDMAC Single Address Transfer Timing: Three-State Access**

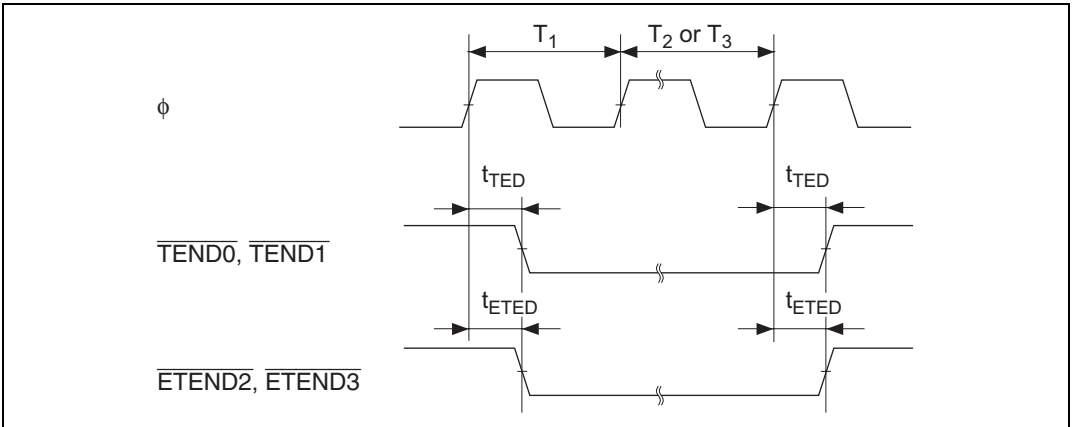


Figure 26.30 DMAC and EXDMAC  $\overline{TEND}/\overline{ETEND}$  Output Timing

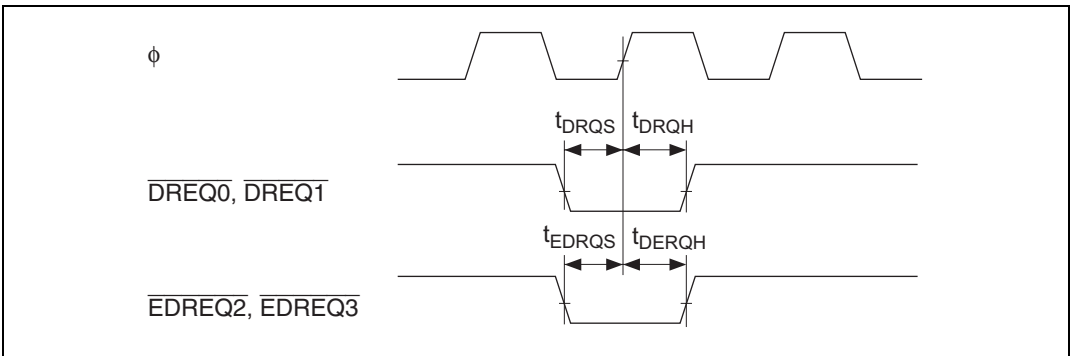


Figure 26.31 DMAC and EXDMAC  $\overline{DREQ}/\overline{EDREQ}$  Input Timing

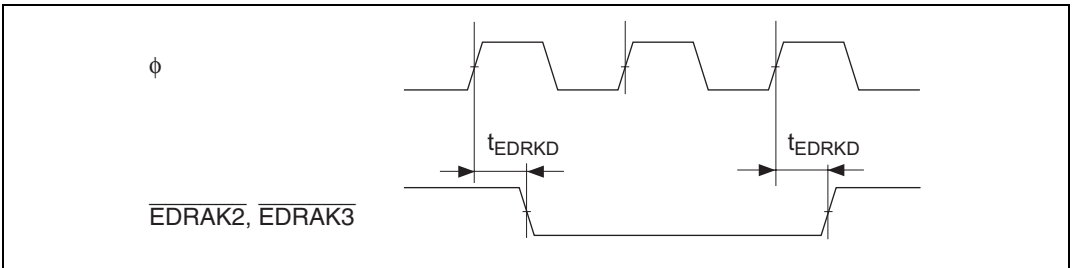
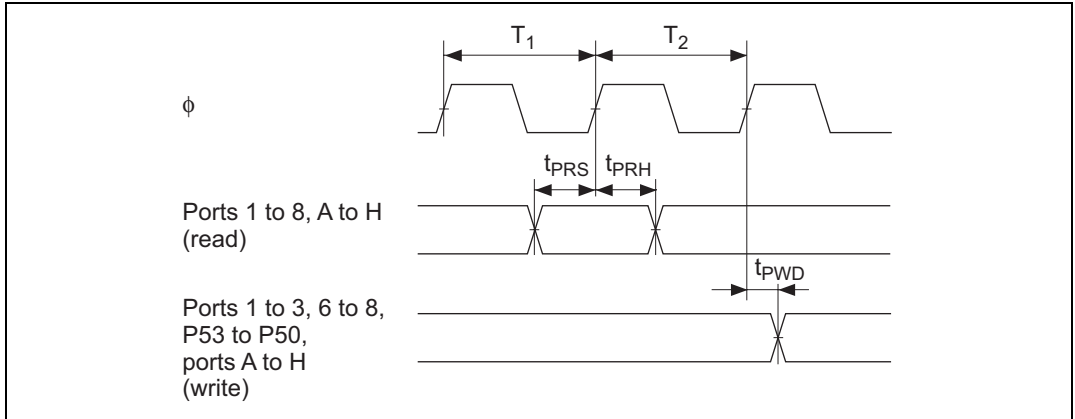


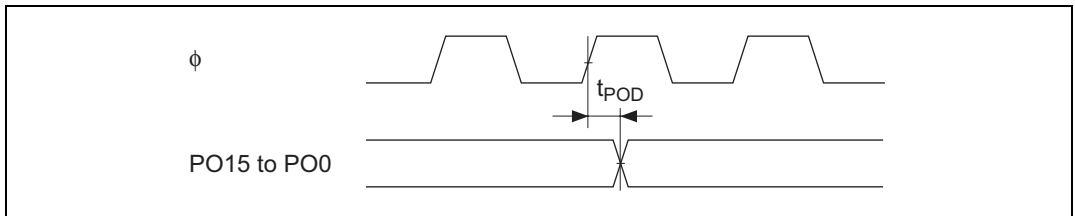
Figure 26.32 EXDMAC  $\overline{EDRAK}$  Output Timing

## 26.4.5 Timing of On-Chip Peripheral Modules

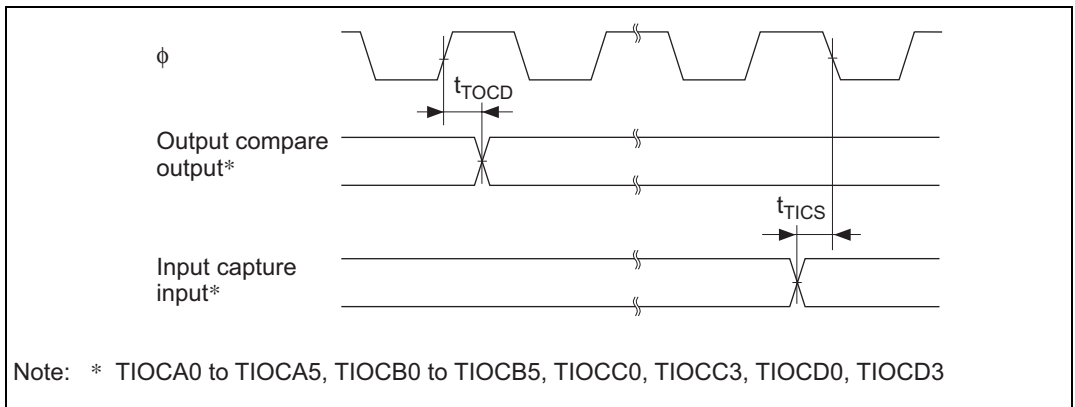
The on-chip peripheral module timings are shown below.



**Figure 26.33 I/O Port Input/Output Timing**



**Figure 26.34 PPG Output Timing**



Note: \* TIOCA0 to TIOCA5, TIOCB0 to TIOCB5, TIOCC0, TIOCC3, TIOCD0, TIOCD3

**Figure 26.35 TPU Input/Output Timing**

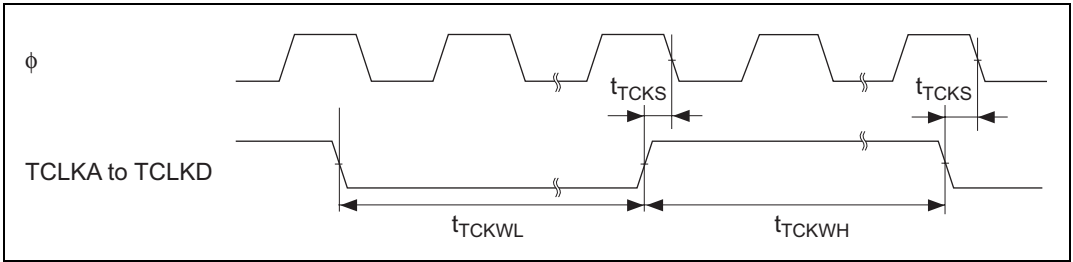


Figure 26.36 TPU Clock Input Timing

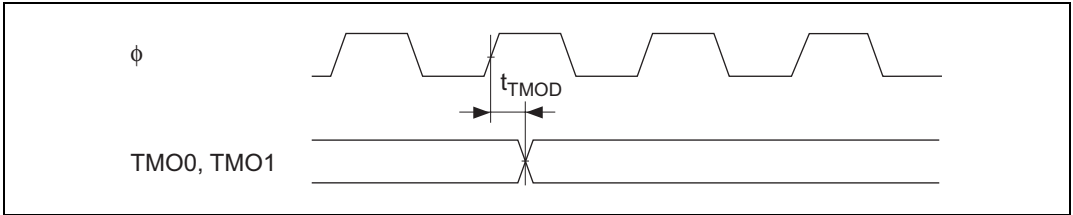


Figure 26.37 8-Bit Timer Output Timing

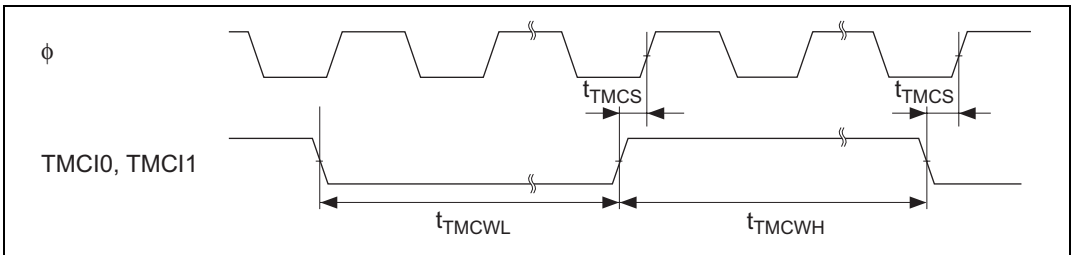


Figure 26.38 8-Bit Timer Clock Input Timing

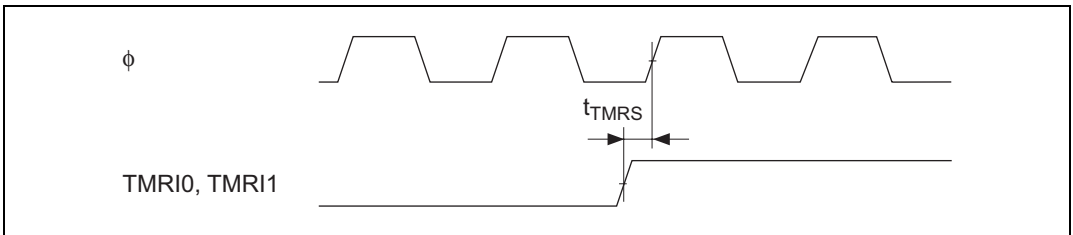
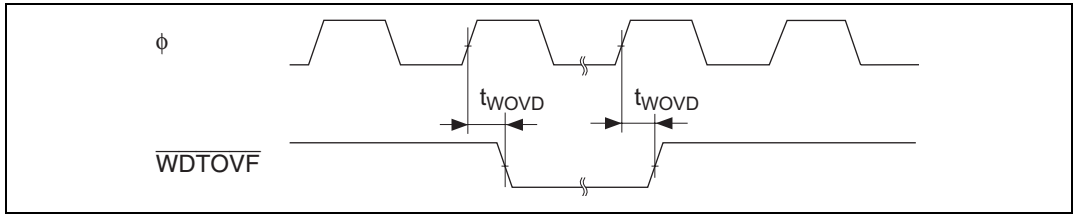
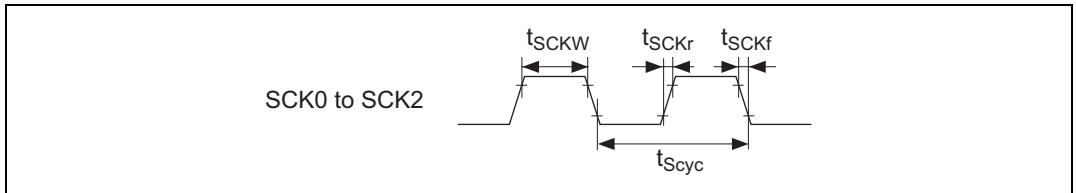


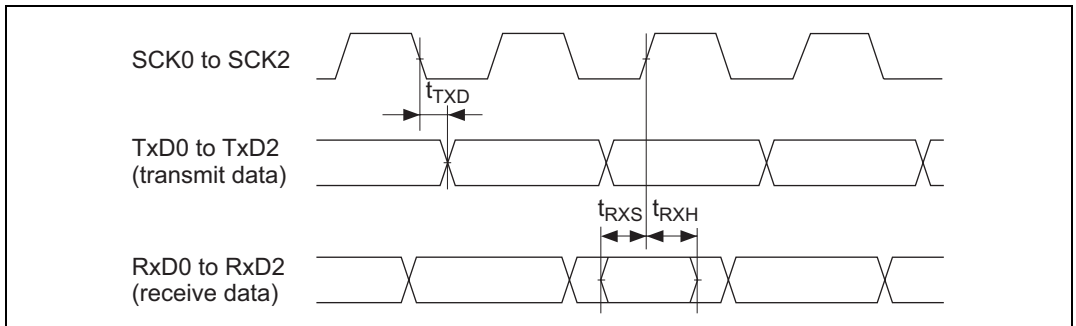
Figure 26.39 8-Bit Timer Reset Input Timing



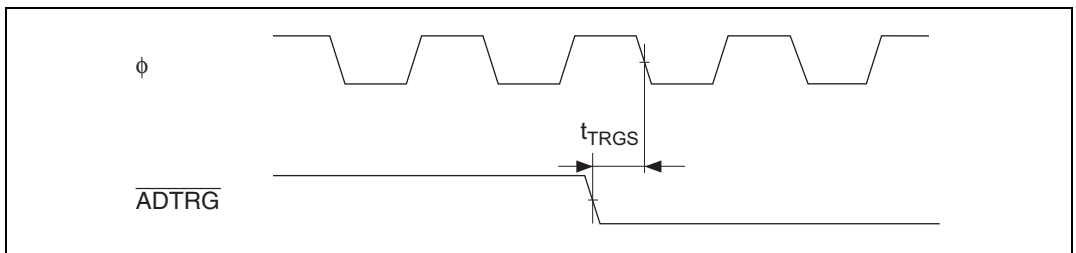
**Figure 26.40 WDT Output Timing**



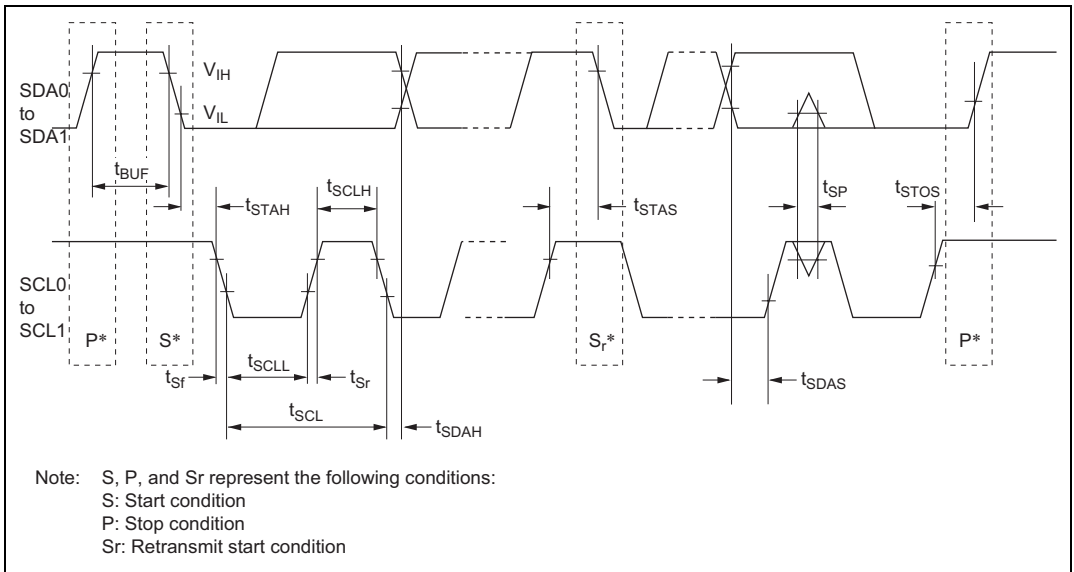
**Figure 26.41 SCK Clock Input Timing**



**Figure 26.42 SCI Input/Output Timing: Synchronous Mode**



**Figure 26.43 A/D Converter External Trigger Input Timing**



**Figure 26.44 I<sup>2</sup>C Bus Interface 2 Input/Output Timing (Option)**

# Appendix

## A. I/O Port States in Each Pin State

| Port Name                       | MCU Operating Mode | Reset | Hardware Standby Mode | Software Standby Mode  | Bus Release State  | Program Execution State Sleep Mode  |
|---------------------------------|--------------------|-------|-----------------------|--|--|---|
| Port 1                          | 1, 2, 4, 7         | T     | T                     | keep   | keep   | I/O port  |
| Port 2                          | 1, 2, 4, 7         | T     | T                     | keep   | keep   | I/O port  |
| P34 to P30                      | 1, 2, 4, 7         | T     | T                     | keep   | keep   | I/O port  |
| P35/ $\overline{OE}$ /<br>CKE*1 | 1, 2, 4, 7         | T     | T                     | [OPE = 0,<br>$\overline{OE}$ , CKE output]<br>T<br>[OPE = 1,<br>$\overline{OE}$ output]<br>H<br>[OPE = 1,<br>CKE output]<br>L<br>[Other than the<br>above]<br>keep | [OPE = 0,<br>$\overline{OE}$ , CKE output]<br>T<br>[Other than the<br>above]<br>keep | [OPE = 0,<br>$\overline{OE}$ , CKE<br>[Other than the<br>above]<br>I/O port |
| P47/DA1                         | 1, 2, 4, 7         | T     | T                     | [DAOE1 = 1]<br>keep<br>[DAOE1 = 0]<br>T  | keep   | Input port  |
| P46/DA0                         | 1, 2, 4, 7         | T     | T                     | [DAOE0 = 1]<br>keep<br>[DAOE0 = 0]<br>T  | keep   | Input port  |
| P45 to P40                      | 1, 2, 4, 7         | T     | T                     | T  | T  | Input port  |
| P53 to P50                      | 1, 2, 4, 7         | T     | T                     | keep   | keep   | I/O port  |
| Port 6                          | 1, 2, 4, 7         | T     | T                     | keep   | keep   | I/O port  |
| Port 8                          | 1, 2, 4, 7         | T     | T                     | keep   | keep   | I/O port  |

| Port Name   | MCU Operating Mode | Reset | Hardware Standby Mode | Software Standby Mode  | Bus Release State  | Program Execution State Sleep Mode                                      |
|---|--------------------|-------|-----------------------|--|--|---|
| P97/DA5   | 1, 2, 4, 7         | T     | T                     | [DAOE5 = 1]<br>keep<br>[DAOE5 = 0]<br>T  | keep   | Input port  |
| P96/DA4   | 1, 2, 4, 7         | T     | T                     | [DAOE4 = 1]<br>keep<br>[DAOE4 = 0]<br>T  | keep   | Input port  |
| P95/DA3   | 1, 2, 4, 7         | T     | T                     | [DAOE3 = 1]<br>keep<br>[DAOE3 = 0]<br>T  | keep   | Input port  |
| P94/DA2   | 1, 2, 4, 7         | T     | T                     | [DAOE2 = 1]<br>keep<br>[DAOE2 = 0]<br>T  | keep   | Input port  |
| P93, P90  | 1, 2, 4, 7         | T     | T                     | T  | T  | Input port  |
| PA7/A23<br>PA6/A22<br>PA5/A21                       | 1, 2, 4, 7         | T     | T                     | [OPE = 0,<br>address output]<br>T<br>[OPE = 1,<br>address output]<br>keep<br>[Other than the<br>above]<br>keep | [Address output]<br>T<br>[Other than the<br>above]<br>keep | [Address output]<br>A23 to A21<br>[Other than the<br>above]<br>I/O port |
| PA4/A20<br>PA3/A19<br>PA2/A18<br>PA1/A17<br>PA0/A16 | 1, 2               | L     | T                     | [OPE = 0]<br>T<br>[OPE = 1]<br>keep  | T  | [Address output]<br>A20 to A16  |



| Port Name | MCU Operating Mode | Reset | Hardware Standby Mode | Software Standby Mode   | Bus Release State                                       | Program Execution State Sleep Mode                                  |
|-----------|--------------------|-------|-----------------------|---|---|---|
| PA4/A20   | 3, 4, 7            | T     | T                     | [OPE = 0, address output]   | [Address output]  | [Address output]  |
| PA3/A19   |                    |       |                       | T   | A20 to A16  |   |
| PA2/A18   |                    |       |                       | [Other than the above]  | [Other than the above]                                  |   |
| PA1/A17   |                    |       |                       | [OPE = 1, address output]   | I/O port  |   |
| PA0/A16   |                    |       |                       | keep<br>[Other than the above]<br>keep  |   |   |
| Port B    | 1, 2               | L     | T                     | [OPE = 0]<br>T<br>[OPE = 1]<br>keep   | T   | [Address output]<br>A15 to A8                                       |
|           | 4                  | T     | T                     | [OPE = 0, address output]<br>T<br>[OPE = 1, address output]<br>keep<br>[Other than the above]<br>keep | [Address output]<br>T<br>[Other than the above]<br>keep | [Address output]<br>A15 to A8<br>[Other than the above]<br>I/O port |
|           | 3, 5*2, 7          | T     | T                     | [OPE = 0, address output]<br>T<br>[OPE = 1, address output]<br>keep<br>[Other than the above]<br>keep | [Address output]<br>T<br>[Other than the above]<br>keep | [Address output]<br>A15 to A8<br>[Other than the above]<br>I/O port |

| Port Name | MCU Operating Mode | Reset | Hardware Standby Mode | Software Standby Mode   | Bus Release State                                       | Program Execution State Sleep Mode                                 |
|-----------|--------------------|-------|-----------------------|---|---|--|
| Port C    | 1, 2               | L     | T                     | [OPE = 0]<br>T<br>[OPE = 1]<br>keep   | T   | [Address output]<br>A7 to A0                                       |
|           | 4                  | T     | T                     | [OPE = 0, address output]<br>T<br>[OPE = 1, address output]<br>keep<br>[Other than the above]<br>keep | [Address output]<br>T<br>[Other than the above]<br>keep | [Address output]<br>A7 to A0<br>[Other than the above]<br>I/O port |
|           | 3, 5*2, 7          | T     | T                     | [OPE = 0, address output]<br>T<br>[OPE = 1, address output]<br>keep<br>[Other than the above]<br>keep | [Address output]<br>T<br>[Other than the above]<br>keep | [Address output]<br>A7 to A0<br>[Other than the above]<br>I/O port |
| Port D    | 1, 2, 4            | T     | T                     | T   | T   | D15 to D8  |
|           | 3, 5*2, 7          | T     | T                     | [Data bus]<br>T<br>[Other than the above]<br>keep   | [Data bus]<br>T<br>[Other than the above]<br>keep       | [Data bus]<br>D15 to D8<br>[Other than the above]<br>I/O port      |
|           |                    |       |                       |   |   |  |

| Port Name            | MCU Operating Mode | Reset        | Hardware Standby Mode  | Software Standby Mode                               | Bus Release State      | Program Execution State Sleep Mode |                        |
|----------------------|--------------------|--------------|------------------------|---|------------------------|------------------------------------|------------------------|
| Port E               | 1, 2, 4            | 8-bit bus    | T                      | T   | keep                   | keep                               | I/O port               |
|                      |                    | 16-bit bus   | T                      | T   | T                      | T                                  | D7 to D0               |
|                      | 3, 5*2, 7          | 8-bit bus    | T                      | T   | keep                   | keep                               | I/O port               |
|                      |                    | 16-bit bus   | T                      | T   | [Data bus]             | [Data bus]                         | [Data bus]             |
|                      |                    |              |                        |   | T                      | T                                  | D7 to D0               |
|                      |                    |              |                        |   | [Other than the above] | [Other than the above]             | [Other than the above] |
|                      |                    |              | keep                   | keep  | I/O port               |                                    |                        |
| PF7/ $\phi$          | 1, 2, 4            | Clock output | T                      | [Clock output]                                      | [Clock output]         | [Clock output]                     |                        |
|                      |                    |              |                        | H   | Clock output           | Clock output                       |                        |
|                      | 3, 5*2, 7          | T            |                        | [Other than the above]                              | [Other than the above] | [Other than the above]             |                        |
|                      |                    |              |                        | keep  | keep                   | Input port                         |                        |
| PF6/ $\overline{AS}$ | 1, 2, 4            | H            | T                      | [ $\overline{OPE} = 0$ ,<br>$\overline{AS}$ output] | [AS output]            | [AS output]                        |                        |
|                      |                    |              |                        | T   | T                      | $\overline{AS}$                    |                        |
|                      | 3, 5*2, 7          | T            |                        | [ $\overline{OPE} = 1$ ,<br>$\overline{AS}$ output] | [Other than the above] | [Other than the above]             |                        |
|                      |                    |              |                        | H   | keep                   | I/O port                           |                        |
|                      |                    |              | [Other than the above] |   |                        |                                    |                        |
|                      |                    |              | keep                   |   |                        |                                    |                        |

| Port Name   | MCU Operating Mode     | Reset | Hardware Standby Mode | Software Standby Mode                                | Bus Release State                            | Program Execution State Sleep Mode           |
|---|------------------------|-------|-----------------------|--|--|--|
| PF5/ $\overline{RD}$                              | 1, 2, 4                | H     | T                     | [OPE = 0]  | T  | $\overline{RD}$ , $\overline{HWR}$           |
| PF4/ $\overline{HWR}$                             |                        |       |                       | T  |  |  |
|   |                        |       |                       | [OPE = 1]  |  |  |
|   |                        |       |                       | H  |  |  |
|   | 3, 5* <sup>2</sup> , 7 | T     |                       | [OPE = 0, $\overline{RD}$ , $\overline{HWR}$ output] | [ $\overline{RD}$ , $\overline{HWR}$ output] | [ $\overline{RD}$ , $\overline{HWR}$ output] |
|   |                        |       |                       | T  | T  | $\overline{RD}$ , $\overline{HWR}$           |
|   |                        |       |                       | [OPE = 1, $\overline{RD}$ , $\overline{HWR}$ output] | [Other than the above]                       | [Other than the above]                       |
|   |                        |       |                       | H  | keep   | I/O port                                     |
|   |                        |       |                       | [Other than the above]                               |  |  |
|   |                        |       |                       | keep   |  |  |
| PF3/ $\overline{LWR}$                             | 1, 2, 4                | H     | T                     | [OPE = 0, $\overline{LWR}$ output]                   | [ $\overline{LWR}$ output]                   | [ $\overline{LWR}$ output]                   |
|   |                        |       |                       | T  | T  | $\overline{LWR}$                             |
|   | 3, 5* <sup>2</sup> , 7 | T     |                       | [OPE = 1, $\overline{LWR}$ output]                   | [Other than the above]                       | [Other than the above]                       |
|   |                        |       |                       | H  | keep   | I/O port                                     |
|   |                        |       |                       | [Other than the above]                               |  |  |
|   |                        |       |                       | keep   |  |  |
| PF2/<br>$\overline{LCAS}$ /<br>DQML* <sup>1</sup> | 1, 2, 4, 7             | T     | T                     | [OPE = 0, $\overline{LCAS}$ (DQML) output]           | [ $\overline{LCAS}$ (DQML) output]           | [ $\overline{LCAS}$ (DQML) output]           |
|   |                        |       |                       | T  | T  | $\overline{LCAS}$ (DQML)                     |
|   |                        |       |                       | [OPE = 1, $\overline{LCAS}$ (DQML) output]           | [Other than the above]                       | [Other than the above]                       |
|   |                        |       |                       | H  | keep   | I/O port                                     |
|   |                        |       |                       | [Other than the above]                               |  |  |
|   |                        |       |                       | keep   |  |  |

| Port Name   | MCU Operating Mode | Reset | Hardware Standby Mode | Software Standby Mode   | Bus Release State  | Program Execution State Sleep Mode  |
|---|--------------------|-------|-----------------------|---|--|---|
| PF1/<br>$\overline{\text{UCAS}}$ /<br>$\overline{\text{DQMU}}^{*1}$ | 1, 2, 4, 7         | T     | T                     | [OPE = 0,<br>$\overline{\text{UCAS}}$ (DQMU)<br>output]<br><br>T<br>[OPE = 1,<br>$\overline{\text{UCAS}}$ (DQMU)<br>output]<br><br>H<br>[Other than the<br>above]<br><br>keep | [ $\overline{\text{UCAS}}$ (DQMU)<br>output]<br><br>T<br>[Other than the<br>above]<br><br>keep             | [ $\overline{\text{UCAS}}$ (DQMU)<br>output]<br><br>$\overline{\text{UCAS}}$<br>[Other than the<br>above]<br><br>I/O port |
| PF0/ $\overline{\text{WAIT}}$                                       | 1, 2, 4, 7         | T     | T                     | [ $\overline{\text{WAIT}}$ input]<br><br>T<br>[Other than the<br>above]<br><br>keep   | [ $\overline{\text{WAIT}}$ input]<br><br>T<br>[Other than the<br>above]<br><br>keep                        | [ $\overline{\text{WAIT}}$ input]<br><br>$\overline{\text{WAIT}}$<br>[Other than the<br>above]<br><br>I/O port            |
| PG6/ $\overline{\text{BREQ}}$                                       | 1, 2, 4, 7         | T     | T                     | [ $\overline{\text{BREQ}}$ input]<br><br>T<br>[Other than the<br>above]<br><br>keep   | [ $\overline{\text{BREQ}}$ input]<br><br>$\overline{\text{BREQ}}$<br>[Other than the<br>above]<br><br>keep | [ $\overline{\text{BREQ}}$ input]<br><br>$\overline{\text{BREQ}}$<br>[Other than the<br>above]<br><br>I/O port            |
| PG5/ $\overline{\text{BACK}}$                                       | 1, 2, 4, 7         | T     | T                     | [ $\overline{\text{BACK}}$ output]<br><br>T<br>[Other than the<br>above]<br><br>keep  | $\overline{\text{BACK}}$<br>[Other than the<br>above]<br><br>keep  | [ $\overline{\text{BACK}}$ output]<br><br>$\overline{\text{BACK}}$<br>[Other than the<br>above]<br><br>I/O port           |

| Port Name  | MCU Operating Mode                     | Reset  | Hardware Standby Mode | Software Standby Mode  | Bus Release State  | Program Execution State Sleep Mode   |
|--|--|--------|-----------------------|--|--|--|
| PG4/<br>$\overline{\text{BREQO}}$  | 1, 2, 4, 7                             | T      | T                     | $\overline{\text{BREQO}}$ output]<br>T<br>[Other than the above]<br>keep   | $\overline{\text{BREQO}}$ output]<br>$\overline{\text{BREQO}}$<br>[Other than the above]<br>keep | $\overline{\text{BREQO}}$ output]<br>$\overline{\text{BREQO}}$<br>[Other than the above]<br>I/O port |
| PG3/ $\overline{\text{CS3}}$<br>PG2/ $\overline{\text{CS2}}$<br>PG1/ $\overline{\text{CS1}}$ | 1, 2, 4, 7                             | T      | T                     | [OPE = 0,<br>$\overline{\text{CS}}$ output]<br>T<br>[OPE = 1,<br>$\overline{\text{CS}}$ output]<br>H<br>[Other than the above]<br>keep | $\overline{\text{CS}}$ output]<br>T<br>[Other than the above]<br>keep                            | $\overline{\text{CS}}$ output]<br>$\overline{\text{CS}}$<br>[Other than the above]<br>I/O port       |
| PG0/ $\overline{\text{CS0}}$   | 1, 2<br><u>3, 4, 5<sup>*2</sup>, 7</u> | H<br>T | T                     | [OPE = 0,<br>$\overline{\text{CS}}$ output]<br>T<br>[OPE = 1,<br>$\overline{\text{CS}}$ output]<br>H<br>[Other than the above]<br>keep | $\overline{\text{CS}}$ output]<br>T<br>[Other than the above]<br>keep                            | $\overline{\text{CS}}$ output]<br>$\overline{\text{CS}}$<br>[Other than the above]<br>I/O port       |

| Port Name   | MCU Operating Mode | Reset                     | Hardware Standby Mode | Software Standby Mode   | Bus Release State  | Program Execution State Sleep Mode        |
|---|--------------------|---------------------------|-----------------------|---|--|---|
| PH3/ $\overline{\text{OE}}$ /<br>$\overline{\text{CS}}$ 7/CKE*1 | 1, 2, 4, 7         | T                         | T                     | [OPE = 0,<br>$\overline{\text{OE}}$ , $\overline{\text{CS}}$ , CKE<br>output] | [ $\overline{\text{OE}}$ , $\overline{\text{CS}}$ , CKE<br>output] | [ $\overline{\text{OE}}$ , CKE<br>output] |
|   |                    |                           |                       | T   | T  | $\overline{\text{OE}}$ , CKE              |
|   |                    |                           |                       | [OPE = 1,<br>$\overline{\text{OE}}$ output]                                   | [Other than the<br>above]  | [ $\overline{\text{CS}}$ output]          |
|   |                    |                           |                       | H   | keep   | $\overline{\text{CS}}$                    |
|   |                    |                           |                       | [OPE = 0,<br>$\overline{\text{CS}}$ output]                                   |  | [Other than the<br>above]                 |
|   |                    |                           |                       | T   |  | I/O port                                  |
|   |                    |                           |                       | [OPE = 1,<br>$\overline{\text{CS}}$ output]                                   |  |   |
|   |                    |                           |                       | H   |  |   |
|   |                    |                           |                       | [OPE = 1,<br>CKE output]  |  |   |
|   |                    |                           |                       | L   |  |   |
|   |                    | [Other than the<br>above] |                       |   |  |   |
|   |                    | keep                      |                       |   |  |   |
| PH2/ $\overline{\text{CS}}$ 6                                   | 1, 2, 4, 7         | T                         | T                     | [OPE = 0,<br>$\overline{\text{CS}}$ output]                                   | [ $\overline{\text{CS}}$ output]                                   | [ $\overline{\text{CS}}$ output]          |
|   |                    |                           |                       | T   | T  | $\overline{\text{CS}}$                    |
|   |                    |                           |                       | [OPE = 1,<br>$\overline{\text{CS}}$ output]                                   | [Other than the<br>above]  | [Other than the<br>above]                 |
|   |                    |                           |                       | H   | keep   | I/O port                                  |
|   |                    |                           |                       | [Other than the<br>above]   |  |   |
|   |                    |                           |                       | keep  |  |   |

| Port Name                                    | MCU Operating Mode | Reset        | Hardware Standby Mode     | Software Standby Mode                            | Bus Release State         | Program Execution State Sleep Mode    |                                       |
|--|--------------------|--------------|---------------------------|--|---------------------------|---------------------------------------|---------------------------------------|
| PH1/ $\overline{CS5}$ /<br>SDRAM $\phi^{*1}$ | 1, 2, 4, 7         | [DCTL = 1]   | [DCTL = 1]                | [DCTL = 1]                                       | [DCTL = 1]                | [DCTL = 1]                            |                                       |
|  |                    | Clock output | L                         | L  | Clock output              | Clock output                          |                                       |
|  |                    | [DCTL = 0]   | [DCTL = 0]                | [DCTL = 0,<br>OPE = 0                            | [ $\overline{CS}$ output] | [DCTL = 0,<br>$\overline{CS}$ output] | [DCTL = 0,<br>$\overline{CS}$ output] |
|  |                    | T            | T                         | T  | T                         | $\overline{CS}$                       |                                       |
|  |                    |              |                           | [DCTL = 0,<br>OPE = 1<br>$\overline{CS}$ output] | [Other than the<br>above] | keep                                  | I/O port                              |
|  |                    |              | H                         |  |                           |                                       |                                       |
|  |                    |              | [Other than the<br>above] |  |                           |                                       |                                       |
|  |                    |              | keep                      |  |                           |                                       |                                       |
| PH0/ $\overline{CS4}$                        | 1, 2, 4, 7         | T            | T                         | [OPE = 0,<br>$\overline{CS}$ output]             | [ $\overline{CS}$ output] | [ $\overline{CS}$ output]             |                                       |
|  |                    |              |                           | T  | T                         | $\overline{CS}$                       |                                       |
|  |                    |              |                           | [OPE = 1,<br>$\overline{CS}$ output]             | [Other than the<br>above] | [Other than the<br>above]             |                                       |
|  |                    |              |                           | H  | keep                      | I/O port                              |                                       |
|  |                    |              |                           | [Other than the<br>above]                        |                           |                                       |                                       |
|  |                    |              | keep                      |  |                           |                                       |                                       |
| $\overline{WDTOVF}$                          | 1, 2, 4, 7         | H            | H                         | H  | H                         | H <sup>*3</sup>                       |                                       |

## Legend:

L: Low level

H: High level

keep: Input port becomes high-impedance, output port retains state

T: High impedance

DDR: Data direction register

OPE: Output port enable

Notes: 1. Not supported by the H8S/2378 Group.

2. Supported by the H8S/2378 0.18 $\mu$ m F-ZTAT Group and H8S/2378R 0.18 $\mu$ m F-ZTAT Group only.

3. Low output if a watchdog overflow occurs when WT/IT is set to 1.



## B. Product Lineup

| Product                  |                              | Part No.      | Model Marking                                | Package (Code)                               |
|--------------------------|------------------------------|---------------|--|--|
| H8S/2378 Group           | H8S/2378 F-ZTAT version      | HD64F2378B    | HD64F2378BVLP                                | 145-pin LGA (TLP-145V <sup>*</sup> )         |
|                          |                              |               | HD64F2378BVFQ                                | 144-pin LQFP (FP144H, FP144HV <sup>*</sup> ) |
|                          | H8S/2377                     | HD64F2377     | HD64F2377VFQ                                 |  |
|                          | H8S/2375 Masked ROM version  | HD6432375     | HD6432375FQ                                  |  |
|                          | H8S/2374 F-ZTAT version      | HD64F2374     | HD64F2374VLP                                 | 145-pin LGA (TLP-145V <sup>*</sup> )         |
|                          |                              |               | HD64F2374VFQ                                 | 144-pin LQFP (FP144H, FP144HV <sup>*</sup> ) |
|                          | H8S/2373 ROMless version     | HD6412373     | HD6412373VFQ                                 |  |
|                          | H8S/2372 F-ZTAT version      | HD64F2372     | HD64F2372VLP                                 | 145-pin LGA (TLP-145V <sup>*</sup> )         |
|                          |                              |               | HD64F2372VFQ                                 | 144-pin LQFP (FP144H, FP144HV <sup>*</sup> ) |
|                          | H8S/2371 F-ZTAT version      | HD64F2371     | HD64F2371VLP                                 | 145-pin LGA (TLP-145V <sup>*</sup> )         |
| HD64F2371VFQ             |                              |               | 144-pin LQFP (FP144H, FP144HV <sup>*</sup> ) |  |
| H8S/2370 F-ZTAT version  | HD64F2370                    | HD64F2370VLP  | 145-pin LGA (TLP-145V <sup>*</sup> )         |  |
|                          |                              | HD64F2370VFQ  | 144-pin LQFP (FP144H, FP144HV <sup>*</sup> ) |  |
| H8S/2378R Group          | H8S/2378R F-ZTAT version     | HD64F2378R    | HD64F2378RVLP                                | 145-pin LGA (TLP-145V <sup>*</sup> )         |
|                          |                              |               | HD64F2378RVFQ                                | 144-pin LQFP (FP144H, FP144HV <sup>*</sup> ) |
|                          | H8S/2377R F-ZTAT version     | HD64F2377R    | HD64F2377RVFQ                                |  |
|                          | H8S/2375R Masked ROM version | HD6432375R    | HD6432375RFQ                                 |  |
|                          | H8S/2374R F-ZTAT version     | HD64F2374R    | HD64F2374RVLP                                | 145-pin LGA (TLP-145V <sup>*</sup> )         |
|                          |                              |               | HD64F2374RVFQ                                | 144-pin LQFP (FP144H, FP144HV <sup>*</sup> ) |
|                          | H8S/2373R ROMless version    | HD6412373R    | HD6412373VFQ                                 |  |
|                          | H8S/2372R F-ZTAT version     | HD64F2372R    | HD64F2372RVLP                                | 145-pin LGA (TLP-145V <sup>*</sup> )         |
|                          |                              |               | HD64F2372RVFQ                                | 144-pin LQFP (FP144H, FP144HV <sup>*</sup> ) |
|                          | H8S/2371R F-ZTAT version     | HD64F2371R    | HD64F2371RVLP                                | 145-pin LGA (TLP-145V <sup>*</sup> )         |
| HD64F2371RVFQ            |                              |               | 144-pin LQFP (FP144H, FP144HV <sup>*</sup> ) |  |
| H8S/2370R F-ZTAT version | HD64F2370R                   | HD64F2370RVLP | 145-pin LGA (TLP-145V <sup>*</sup> )         |  |
|                          |                              | HD64F2370RVFQ | 144-pin LQFP (FP144H, FP144HV <sup>*</sup> ) |  |

Notes: The above products include those under development or being planned. For the status of each product, contact a Renesas Technology sales office. When using the optional functions for the F-ZTAT version, which has the common type name, contact your Renesas Technology sales agency.

\* Pb-free version

## C. Package Dimensions

The package dimension that is shown in the Renesas Semiconductor Package Data Book has Priority.

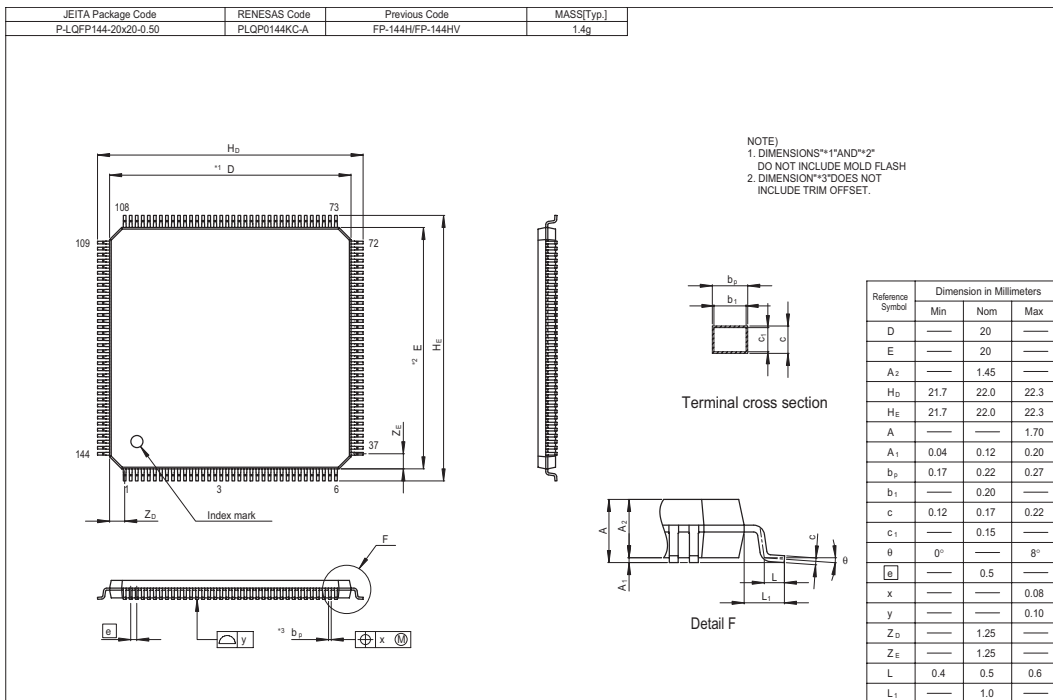


Figure C.1 Package Dimensions (FP-144H)

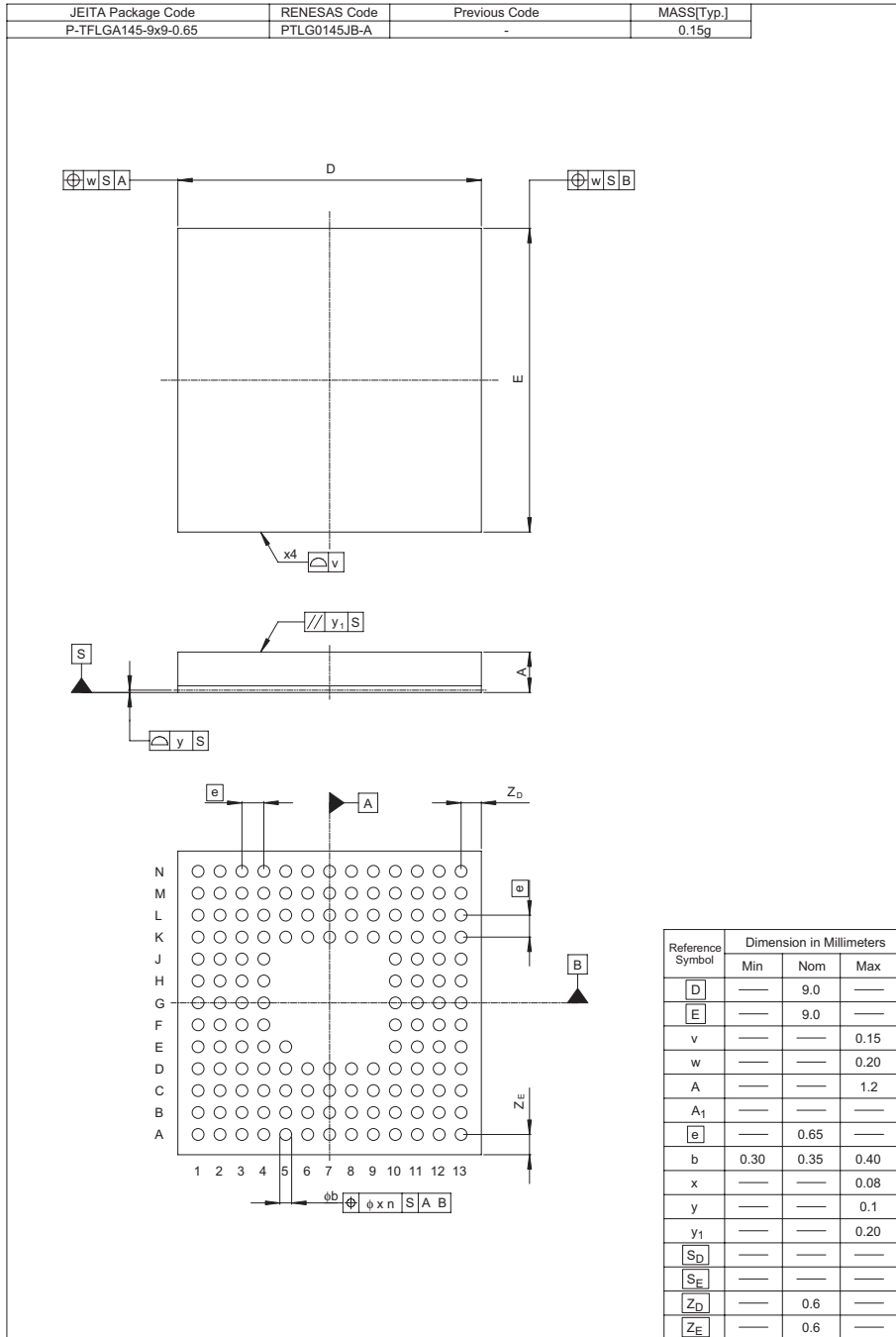
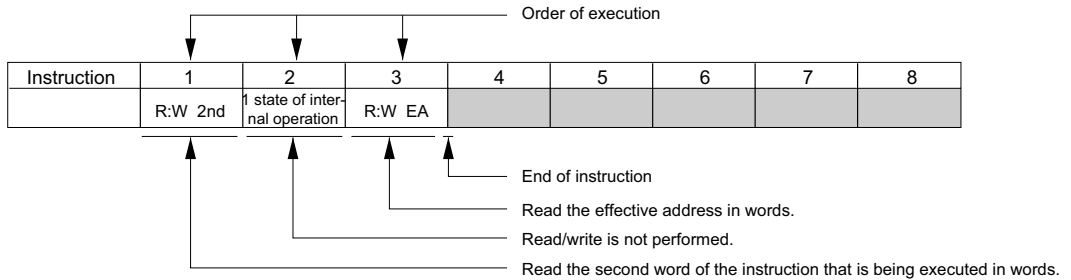


Figure C.2 Package Dimensions (TLP-145V)

## D. Bus State during Execution of Instructions

Table D.1 shows the execution state of each instruction in this LSI.

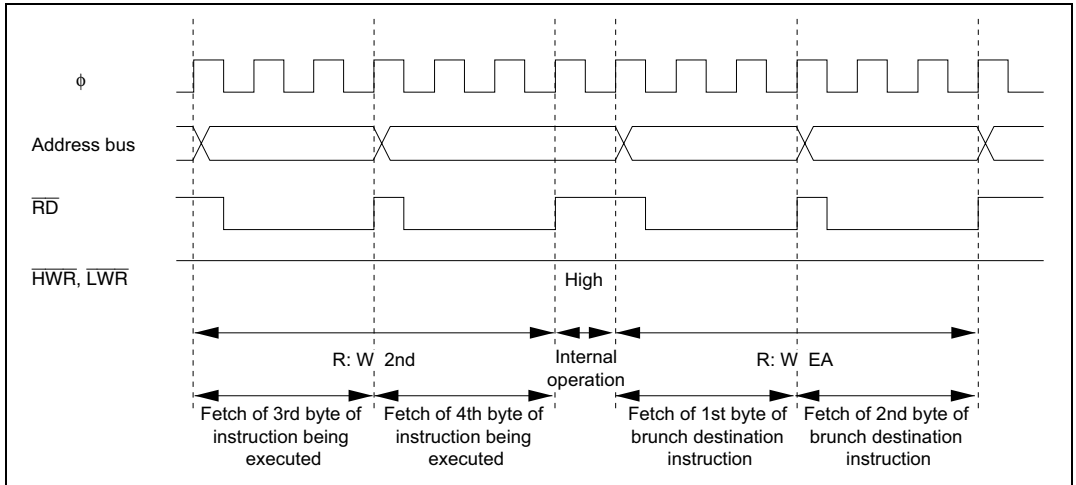
[Explanation of Table Contents:]



### [Legend:]

|      |   |
|------|---|
| R:B  | Reading in bytes  |
| R:W  | Reading in words  |
| W:B  | Writing in bytes  |
| W:W  | Writing in words  |
| :M   | Bus mastership cannot be handed over immediately after this cycle                 |
| 2nd  | Address of second word (3rd and 4th bytes)  |
| 3rd  | Address of third word (5th and 6th bytes)   |
| 4th  | Address of fourth word (7th and 8th bytes)  |
| 5th  | Address of fifth word (9th and 10th bytes)  |
| NEXT | Start address of instruction immediately following the instruction being executed |
| EA   | Effective address   |
| VEC  | Vector address  |

Figure D.1 shows the timing of the address bus,  $\overline{RD}$ ,  $\overline{HWR}$ , and  $\overline{LWR}$  during execution of the sample instruction above (example in "Explanation of Table Contents") with an 8-bit bus, 3-state access, and no wait.



**Figure D.1 Timing of Address Bus,  $\overline{RD}$ ,  $\overline{HWR}$ , and  $\overline{LWR}$   
(8-Bit Bus, 3-State Access, No Wait)**

Table D.1 Execution State of Instructions

| Instruction      | 1           | 2            | 3           | 4 | 5 | 6 | 7 | 8 | 9 |
|------------------|-------------|--------------|-------------|---|---|---|---|---|---|
| ADD.B #xx:8,Rd   | R:W<br>NEXT |              |             |   |   |   |   |   |   |
| ADD.B Rs,Rd      | R:W<br>NEXT |              |             |   |   |   |   |   |   |
| ADD.W #xx:16,Rd  | R:W 2nd     | R:W<br>NEXT  |             |   |   |   |   |   |   |
| ADD.W Rs,Rd      | R:W<br>NEXT |              |             |   |   |   |   |   |   |
| ADD.L #xx:32,ERd | R:W 2nd     | R:W 3rd      | R:W<br>NEXT |   |   |   |   |   |   |
| ADD.L ERs,ERd    | R:W<br>NEXT |              |             |   |   |   |   |   |   |
| ADDS #1/2/4,ERd  | R:W<br>NEXT |              |             |   |   |   |   |   |   |
| ADDX #xx:8,Rd    | R:W<br>NEXT |              |             |   |   |   |   |   |   |
| ADDX Rs,Rd       | R:W<br>NEXT |              |             |   |   |   |   |   |   |
| AND.B #xx:8,Rd   | R:W<br>NEXT |              |             |   |   |   |   |   |   |
| AND.B Rs,Rd      | R:W<br>NEXT |              |             |   |   |   |   |   |   |
| AND.W #xx:16,Rd  | R:W 2nd     | R:W:<br>NEXT |             |   |   |   |   |   |   |
| AND.W Rs,Rd      | R:W<br>NEXT |              |             |   |   |   |   |   |   |
| AND.L #xx:32,ERd | R:W 2nd     | R:W 3rd      | R:W<br>NEXT |   |   |   |   |   |   |
| AND.L ERs,ERd    | R:W 2nd     | R:W<br>NEXT  |             |   |   |   |   |   |   |
| ANDC #xx:8,CCR   | R:W<br>NEXT |              |             |   |   |   |   |   |   |
| ANDC #xx:8,EXR   | R:W 2nd     | R:W<br>NEXT  |             |   |   |   |   |   |   |
| BAND #xx:3,Rd    | R:W<br>NEXT |              |             |   |   |   |   |   |   |
| BAND #xx:3,@ERd  | R:W 2nd     | R:B EA       | R:W<br>NEXT |   |   |   |   |   |   |

| Instruction          | 1           | 2       | 3           | 4           | 5           | 6 | 7 | 8 | 9 |
|----------------------|-------------|---------|-------------|-------------|-------------|---|---|---|---|
| BAND<br>#xx:3,@aa:8  | R:W 2nd     | R:B EA  | R:W<br>NEXT |             |             |   |   |   |   |
| BAND<br>#xx:3,@aa:16 | R:W 2nd     | R:W 3rd | R:B EA      | R:W<br>NEXT |             |   |   |   |   |
| BAND<br>#xx:3,@aa:32 | R:W 2nd     | R:W 3rd | R:W 4th     | R:B EA      | R:W<br>NEXT |   |   |   |   |
| BRA d:8<br>(BT d:8)  | R:W<br>NEXT | R:W EA  |             |             |             |   |   |   |   |
| BRN d:8<br>(BF d:8)  | R:W<br>NEXT | R:W EA  |             |             |             |   |   |   |   |
| BHI d:8              | R:W<br>NEXT | R:W EA  |             |             |             |   |   |   |   |
| BLS d:8              | R:W<br>NEXT | R:W EA  |             |             |             |   |   |   |   |
| BCC d:8<br>(BHS d:8) | R:W<br>NEXT | R:W EA  |             |             |             |   |   |   |   |
| BCS d:8<br>(BLO d:8) | R:W<br>NEXT | R:W EA  |             |             |             |   |   |   |   |
| BNE d:8              | R:W<br>NEXT | R:W EA  |             |             |             |   |   |   |   |
| BEQ d:8              | R:W<br>NEXT | R:W EA  |             |             |             |   |   |   |   |
| BVC d:8              | R:W<br>NEXT | R:W EA  |             |             |             |   |   |   |   |
| BVS d:8              | R:W<br>NEXT | R:W EA  |             |             |             |   |   |   |   |
| BPL d:8              | R:W<br>NEXT | R:W EA  |             |             |             |   |   |   |   |
| BMI d:8              | R:W<br>NEXT | R:W EA  |             |             |             |   |   |   |   |
| BGE d:8              | R:W<br>NEXT | R:W EA  |             |             |             |   |   |   |   |
| BLT d:8              | R:W<br>NEXT | R:W EA  |             |             |             |   |   |   |   |
| BGT d:8              | R:W<br>NEXT | R:W EA  |             |             |             |   |   |   |   |
| BLE d:8              | R:W<br>NEXT | R:W EA  |             |             |             |   |   |   |   |

| Instruction            | 1       | 2                                   | 3      | 4 | 5 | 6 | 7 | 8 | 9 |
|------------------------|---------|-------------------------------------|--------|---|---|---|---|---|---|
| BRA d:16<br>(BT d:16)  | R:W 2nd | 1 state of<br>internal<br>operation | R:W EA |   |   |   |   |   |   |
| BRN d:16<br>(BF d:16)  | R:W 2nd | 1 state of<br>internal<br>operation | R:W EA |   |   |   |   |   |   |
| BHI d:16               | R:W 2nd | 1 state of<br>internal<br>operation | R:W EA |   |   |   |   |   |   |
| BLS d:16               | R:W 2nd | 1 state of<br>internal<br>operation | R:W EA |   |   |   |   |   |   |
| BCC d:16<br>(BHS d:16) | R:W 2nd | 1 state of<br>internal<br>operation | R:W EA |   |   |   |   |   |   |
| BCS d:16<br>(BLO d:16) | R:W 2nd | 1 state of<br>internal<br>operation | R:W EA |   |   |   |   |   |   |
| BNE d:16               | R:W 2nd | 1 state of<br>internal<br>operation | R:W EA |   |   |   |   |   |   |
| BEQ d:16               | R:W 2nd | 1 state of<br>internal<br>operation | R:W EA |   |   |   |   |   |   |
| BVC d:16               | R:W 2nd | 1 state of<br>internal<br>operation | R:W EA |   |   |   |   |   |   |
| BVS d:16               | R:W 2nd | 1 state of<br>internal<br>operation | R:W EA |   |   |   |   |   |   |
| BPL d:16               | R:W 2nd | 1 state of<br>internal<br>operation | R:W EA |   |   |   |   |   |   |
| BMI d:16               | R:W 2nd | 1 state of<br>internal<br>operation | R:W EA |   |   |   |   |   |   |
| BGE d:16               | R:W 2nd | 1 state of<br>internal<br>operation | R:W EA |   |   |   |   |   |   |
| BLT d:16               | R:W 2nd | 1 state of<br>internal<br>operation | R:W EA |   |   |   |   |   |   |



| Instruction        | 1        | 2                             | 3          | 4          | 5          | 6      | 7 | 8 | 9 |
|--------------------|----------|-------------------------------|------------|------------|------------|--------|---|---|---|
| BGT d:16           | R:W 2nd  | 1 state of internal operation | R:W EA     |            |            |        |   |   |   |
| BLE d:16           | R:W 2nd  | 1 state of internal operation | R:W EA     |            |            |        |   |   |   |
| BCLR #xx:3,Rd      | R:W NEXT |                               |            |            |            |        |   |   |   |
| BCLR #xx:3,@ERd    | R:W 2nd  | R:B:M EA                      | R:W:M NEXT | W:B EA     |            |        |   |   |   |
| BCLR #xx:3,@aa:8   | R:W 2nd  | R:B:M EA                      | R:W:M NEXT | W:B EA     |            |        |   |   |   |
| BCLR #xx:3,@aa:16  | R:W 2nd  | R:W 3rd                       | R:B:M EA   | R:W:M NEXT | W:B EA     |        |   |   |   |
| BCLR #xx:3,@aa:32  | R:W 2nd  | R:W 3rd                       | R:W 4th    | R:B:M EA   | R:W:M NEXT | W:B EA |   |   |   |
| BCLR Rn,Rd         | R:W NEXT |                               |            |            |            |        |   |   |   |
| BCLR Rn,@ERd       | R:W 2nd  | R:B:M EA                      | R:W:M NEXT | W:B EA     |            |        |   |   |   |
| BCLR Rn,@aa:8      | R:W 2nd  | R:B:M EA                      | R:W:M NEXT | W:B EA     |            |        |   |   |   |
| BCLR Rn,@aa:16     | R:W 2nd  | R:W 3rd                       | R:B:M EA   | R:W:M NEXT | W:B EA     |        |   |   |   |
| BCLR Rn,@aa:32     | R:W 2nd  | R:W 3rd                       | R:W 4th    | R:B:M EA   | R:W:M NEXT | W:B EA |   |   |   |
| BIAND #xx:3,Rd     | R:W NEXT |                               |            |            |            |        |   |   |   |
| BIAND #xx:3,@ERd   | R:W 2nd  | R:B EA                        | R:W NEXT   |            |            |        |   |   |   |
| BIAND #xx:3,@aa:8  | R:W 2nd  | R:B EA                        | R:W NEXT   |            |            |        |   |   |   |
| BIAND #xx:3,@aa:16 | R:W 2nd  | R:W 3rd                       | R:B EA     | R:W NEXT   |            |        |   |   |   |
| BIAND #xx:3,@aa:32 | R:W 2nd  | R:W 3rd                       | R:W 4th    | R:B EA     | R:W NEXT   |        |   |   |   |
| BILD #xx:3,Rd      | R:W NEXT |                               |            |            |            |        |   |   |   |
| BILD #xx:3,@ERd    | R:W 2nd  | R:B EA                        | R:W NEXT   |            |            |        |   |   |   |

| Instruction           | 1           | 2        | 3             | 4             | 5             | 6      | 7 | 8 | 9 |
|-----------------------|-------------|----------|---------------|---------------|---------------|--------|---|---|---|
| BILD<br>#xx:3,@aa:8   | R:W 2nd     | R:B EA   | R:W<br>NEXT   |               |               |        |   |   |   |
| BILD<br>#xx:3,@aa:16  | R:W 2nd     | R:W 3rd  | R:B EA        | R:W<br>NEXT   |               |        |   |   |   |
| BILD<br>#xx:3,@aa:32  | R:W 2nd     | R:W 3rd  | R:W 4th       | R:B EA        | R:W<br>NEXT   |        |   |   |   |
| BIOR #xx:3,Rd         | R:W<br>NEXT |          |               |               |               |        |   |   |   |
| BIOR<br>#xx:3,@ERd    | R:W 2nd     | R:B EA   | R:W<br>NEXT   |               |               |        |   |   |   |
| BIOR<br>#xx:3,@aa:8   | R:W 2nd     | R:B EA   | R:W<br>NEXT   |               |               |        |   |   |   |
| BIOR<br>#xx:3,@aa:16  | R:W 2nd     | R:W 3rd  | R:B EA        | R:W<br>NEXT   |               |        |   |   |   |
| BIOR<br>#xx:3,@aa:32  | R:W 2nd     | R:W 3rd  | R:W 4th       | R:B EA        | R:W<br>NEXT   |        |   |   |   |
| BIST #xx:3,Rd         | R:W<br>NEXT |          |               |               |               |        |   |   |   |
| BIST<br>#xx:3,@ERd    | R:W 2nd     | R:B:M EA | R:W:M<br>NEXT | W:B EA        |               |        |   |   |   |
| BIST<br>#xx:3,@aa:8   | R:W 2nd     | R:B:M EA | R:W:M<br>NEXT | W:B EA        |               |        |   |   |   |
| BIST<br>#xx:3,@aa:16  | R:W 2nd     | R:W 3rd  | R:B:M EA      | R:W:M<br>NEXT | W:B EA        |        |   |   |   |
| BIST<br>#xx:3,@aa:32  | R:W 2nd     | R:W 3rd  | R:W 4th       | R:B:M EA      | R:W:M<br>NEXT | W:B EA |   |   |   |
| BIXOR #xx:3,Rd        | R:W<br>NEXT |          |               |               |               |        |   |   |   |
| BIXOR<br>#xx:3,@ERd   | R:W 2nd     | R:B EA   | R:W<br>NEXT   |               |               |        |   |   |   |
| BIXOR<br>#xx:3,@aa:8  | R:W 2nd     | R:B EA   | R:W<br>NEXT   |               |               |        |   |   |   |
| BIXOR<br>#xx:3,@aa:16 | R:W 2nd     | R:W 3rd  | R:B EA        | R:W<br>NEXT   |               |        |   |   |   |
| BIXOR<br>#xx:3,@aa:32 | R:W 2nd     | R:W 3rd  | R:W 4th       | R:B EA        | R:W<br>NEXT   |        |   |   |   |
| BLD #xx:3,Rd          | R:W<br>NEXT |          |               |               |               |        |   |   |   |
| BLD<br>#xx:3,@ERd     | R:W 2nd     | R:B EA   | R:W<br>NEXT   |               |               |        |   |   |   |

| Instruction          | 1           | 2        | 3             | 4             | 5             | 6      | 7 | 8 | 9 |
|----------------------|-------------|----------|---------------|---------------|---------------|--------|---|---|---|
| BLD<br>#xx:3,@aa:8   | R:W 2nd     | R:B EA   | R:W<br>NEXT   |               |               |        |   |   |   |
| BLD<br>#xx:3,@aa:16  | R:W 2nd     | R:W 3rd  | R:B EA        | R:W<br>NEXT   |               |        |   |   |   |
| BLD<br>#xx:3,@aa:32  | R:W 2nd     | R:W 3rd  | R:W 4th       | R:B EA        | R:W<br>NEXT   |        |   |   |   |
| BNOT #xx:3,Rd        | R:W<br>NEXT |          |               |               |               |        |   |   |   |
| BNOT<br>#xx:3,@ERd   | R:W 2nd     | R:B:M EA | R:W:M<br>NEXT | W:B EA        |               |        |   |   |   |
| BNOT<br>#xx:3,@aa:8  | R:W 2nd     | R:B:M EA | R:W:M<br>NEXT | W:B EA        |               |        |   |   |   |
| BNOT<br>#xx:3,@aa:16 | R:W 2nd     | R:W 3rd  | R:B:M EA      | R:W:M<br>NEXT | W:B EA        |        |   |   |   |
| BNOT<br>#xx:3,@aa:32 | R:W 2nd     | R:W 3rd  | R:W 4th       | R:B:M EA      | R:W:M<br>NEXT | W:B EA |   |   |   |
| BNOT Rn,Rd           | R:W<br>NEXT |          |               |               |               |        |   |   |   |
| BNOT<br>Rn,@ERd      | R:W 2nd     | R:B:M EA | R:W:M<br>NEXT | W:B EA        |               |        |   |   |   |
| BNOT<br>Rn,@aa:8     | R:W 2nd     | R:B:M EA | R:W:M<br>NEXT | W:B EA        |               |        |   |   |   |
| BNOT<br>Rn,@aa:16    | R:W 2nd     | R:W 3rd  | R:B:M EA      | R:W:M<br>NEXT | W:B EA        |        |   |   |   |
| BNOT<br>Rn,@aa:32    | R:W 2nd     | R:W 3rd  | R:W 4th       | R:B:M EA      | R:W:M<br>NEXT | W:B EA |   |   |   |
| BOR #xx:3,Rd         | R:W<br>NEXT |          |               |               |               |        |   |   |   |
| BOR<br>#xx:3,@ERd    | R:W 2nd     | R:B EA   | R:W<br>NEXT   |               |               |        |   |   |   |
| BOR<br>#xx:3,@aa:8   | R:W 2nd     | R:B EA   | R:W<br>NEXT   |               |               |        |   |   |   |
| BOR<br>#xx:3,@aa:16  | R:W 2nd     | R:W 3rd  | R:B EA        | R:W<br>NEXT   |               |        |   |   |   |
| BOR<br>#xx:3,@aa:32  | R:W 2nd     | R:W 3rd  | R:W 4th       | R:B EA        | R:W<br>NEXT   |        |   |   |   |
| BSET #xx:3,Rd        | R:W<br>NEXT |          |               |               |               |        |   |   |   |
| BSET<br>#xx:3,@ERd   | R:W 2nd     | R:B:M EA | R:W:M<br>NEXT | W:B EA        |               |        |   |   |   |

| Instruction          |          | 1           | 2                                   | 3                  | 4                  | 5                | 6      | 7 | 8 | 9 |
|----------------------|----------|-------------|-------------------------------------|--------------------|--------------------|------------------|--------|---|---|---|
| BSET<br>#xx:3,@aa:8  |          | R:W 2nd     | R:B:M EA                            | R:W:M<br>NEXT      | W:B EA             |                  |        |   |   |   |
| BSET<br>#xx:3,@aa:16 |          | R:W 2nd     | R:W 3rd                             | R:B:M EA           | R:W:M<br>NEXT      | W:B EA           |        |   |   |   |
| BSET<br>#xx:3,@aa:32 |          | R:W 2nd     | R:W 3rd                             | R:W 4th            | R:B:M EA           | R:W:M<br>NEXT    | W:B EA |   |   |   |
| BSET Rn,Rd           |          | R:W<br>NEXT |                                     |                    |                    |                  |        |   |   |   |
| BSET Rn,@ERd         |          | R:W 2nd     | R:B:M EA                            | R:W:M<br>NEXT      | W:B EA             |                  |        |   |   |   |
| BSET Rn,@aa:8        |          | R:W 2nd     | R:B:M EA                            | R:W:M<br>NEXT      | W:B EA             |                  |        |   |   |   |
| BSET<br>Rn,@aa:16    |          | R:W 2nd     | R:W 3rd                             | R:B:M EA           | R:W:M<br>NEXT      | W:B EA           |        |   |   |   |
| BSET<br>Rn,@aa:32    |          | R:W 2nd     | R:W 3rd                             | R:W 4th            | R:B:M EA           | R:W:M<br>NEXT    | W:B EA |   |   |   |
| BSR<br>d:8           | Advanced | R:W<br>NEXT | R:W EA                              | W:W:M<br>Stack (H) | W:W<br>Stack (L)   |                  |        |   |   |   |
| BSR<br>d:16          | Advanced | R:W 2nd     | 1 State of<br>internal<br>operation | R:W EA             | W:W:M<br>Stack (H) | W:W<br>Stack (L) |        |   |   |   |
| BST #xx:3,Rd         |          | R:W<br>NEXT |                                     |                    |                    |                  |        |   |   |   |
| BST<br>#xx:3,@ERd    |          | R:W 2nd     | R:B:M EA                            | R:W:M<br>NEXT      | W:B EA             |                  |        |   |   |   |
| BST<br>#xx:3,@aa:8   |          | R:W 2nd     | R:B:M EA                            | R:W:M<br>NEXT      | W:B EA             |                  |        |   |   |   |
| BST<br>#xx:3,@aa:16  |          | R:W 2nd     | R:W 3rd                             | R:B:M EA           | R:W:M<br>NEXT      | W:B EA           |        |   |   |   |
| BST<br>#xx:3,@aa:32  |          | R:W 2nd     | R:W 3rd                             | R:W 4th            | R:B:M EA           | R:W:M<br>NEXT    | W:B EA |   |   |   |
| BTST #xx:3,Rd        |          | R:W<br>NEXT |                                     |                    |                    |                  |        |   |   |   |
| BTST<br>#xx:3,@ERd   |          | R:W 2nd     | R:B EA                              | R:W<br>NEXT        |                    |                  |        |   |   |   |
| BTST<br>#xx:3,@aa:8  |          | R:W 2nd     | R:B EA                              | R:W<br>NEXT        |                    |                  |        |   |   |   |
| BTST<br>#xx:3,@aa:16 |          | R:W 2nd     | R:W 3rd                             | R:B EA             | R:W<br>NEXT        |                  |        |   |   |   |

| Instruction          | 1           | 2                                   | 3           | 4           | 5           | 6 | 7 | 8 | 9 |
|----------------------|-------------|-------------------------------------|-------------|-------------|-------------|---|---|---|---|
| BTST<br>#xx:3,@aa:32 | R:W 2nd     | R:W 3rd                             | R:W 4th     | R:B EA      | R:W<br>NEXT |   |   |   |   |
| BTST Rn,Rd           | R:W<br>NEXT |                                     |             |             |             |   |   |   |   |
| BTST Rn,@ERd         | R:W 2nd     | R:B EA                              | R:W<br>NEXT |             |             |   |   |   |   |
| BTST Rn,@aa:8        | R:W 2nd     | R:B EA                              | R:W<br>NEXT |             |             |   |   |   |   |
| BTST<br>Rn,@aa:16    | R:W 2nd     | R:W 3rd                             | R:B EA      | R:W<br>NEXT |             |   |   |   |   |
| BTST<br>Rn,@aa:32    | R:W 2nd     | R:W 3rd                             | R:W 4th     | R:B EA      | R:W<br>NEXT |   |   |   |   |
| BXOR #xx:3,Rd        | R:W<br>NEXT |                                     |             |             |             |   |   |   |   |
| BXOR<br>#xx:3,@ERd   | R:W 2nd     | R:B EA                              | R:W<br>NEXT |             |             |   |   |   |   |
| BXOR<br>#xx:3,@aa:8  | R:W 2nd     | R:B EA                              | R:W<br>NEXT |             |             |   |   |   |   |
| BXOR<br>#xx:3,@aa:16 | R:W 2nd     | R:W 3rd                             | R:B EA      | R:W<br>NEXT |             |   |   |   |   |
| BXOR<br>#xx:3,@aa:32 | R:W 2nd     | R:W 3rd                             | R:W 4th     | R:B EA      | R:W<br>NEXT |   |   |   |   |
| CLRMAC               | R:W<br>NEXT | 1 State of<br>internal<br>operation |             |             |             |   |   |   |   |
| CMP.B #xx:8,Rd       | R:W<br>NEXT |                                     |             |             |             |   |   |   |   |
| CMP.B Rs,Rd          | R:W<br>NEXT |                                     |             |             |             |   |   |   |   |
| CMP.W<br>#xx:16,Rd   | R:W 2nd     | R:W<br>NEXT                         |             |             |             |   |   |   |   |
| CMP.W Rs,Rd          | R:W<br>NEXT |                                     |             |             |             |   |   |   |   |
| CMP.L<br>#xx:32,ERd  | R:W 2nd     | R:W 3rd                             | R:W<br>NEXT |             |             |   |   |   |   |
| CMP.L ERs,ERd        | R:W<br>NEXT |                                     |             |             |             |   |   |   |   |
| DAA Rd               | R:W<br>NEXT |                                     |             |             |             |   |   |   |   |

| Instruction       | 1           | 2                                   | 3                               | 4                          | 5           | 6 | 7 | 8 | 9 |
|-------------------|-------------|-------------------------------------|---------------------------------|----------------------------|-------------|---|---|---|---|
| DAS Rd            | R:W<br>NEXT |                                     |                                 |                            |             |   |   |   |   |
| DEC.B Rd          | R:W<br>NEXT |                                     |                                 |                            |             |   |   |   |   |
| DEC.W #1/2,Rd     | R:W<br>NEXT |                                     |                                 |                            |             |   |   |   |   |
| DEC.L #1/2,ERd    | R:W<br>NEXT |                                     |                                 |                            |             |   |   |   |   |
| DIVXS.B Rs,Rd     | R:W 2nd     | R:W<br>NEXT                         | 11 states of internal operation |                            |             |   |   |   |   |
| DIVXS.W<br>Rs,ERd | R:W 2nd     | R:W<br>NEXT                         | 19 states of internal operation |                            |             |   |   |   |   |
| DIVXU.B Rs,Rd     | R:W<br>NEXT | 11 states of internal operation     |                                 |                            |             |   |   |   |   |
| DIVXU.W<br>Rs,ERd | R:W<br>NEXT | 19 states of internal operation     |                                 |                            |             |   |   |   |   |
| EPMOV.B           | R:W 2nd     | 2 states of internal<br>operation   | R:B EAs<br>*1                   | W:B EAd<br>*1              | R:W<br>NEXT |   |   |   |   |
| EPMOV.W           | R:W 2nd     | 2 states of internal<br>operation   | R:B EAs<br>*1                   | W:B EAd<br>*1              | R:W<br>NEXT |   |   |   |   |
| EXTS.W Rd         | R:W<br>NEXT |                                     |                                 | Repeated for n times<br>*1 |             |   |   |   |   |
| EXTS.L ERd        | R:W<br>NEXT |                                     |                                 |                            |             |   |   |   |   |
| EXTU.W Rd         | R:W<br>NEXT |                                     |                                 |                            |             |   |   |   |   |
| EXTU.L ERd        | R:W<br>NEXT |                                     |                                 |                            |             |   |   |   |   |
| INC.B Rd          | R:W<br>NEXT |                                     |                                 |                            |             |   |   |   |   |
| INC.W #1/2,Rd     | R:W<br>NEXT |                                     |                                 |                            |             |   |   |   |   |
| INC.L #1/2,ERd    | R:W<br>NEXT |                                     |                                 |                            |             |   |   |   |   |
| JMP @ERn          | R:W<br>NEXT | R:W EA                              |                                 |                            |             |   |   |   |   |
| JMP @aa:24        | R:W 2nd     | 1 State of<br>internal<br>operation | R:W EA                          |                            |             |   |   |   |   |

| Instruction                |          | 1           | 2                                   | 3                                   | 4                                   | 5                | 6      | 7 | 8 | 9 |
|----------------------------|----------|-------------|-------------------------------------|-------------------------------------|-------------------------------------|------------------|--------|---|---|---|
| JMP<br>@@aa:<br>8          | Advanced | R:W<br>NEXT | R:W:M<br>aa:8                       | R:W aa:8                            | 1 State of<br>internal<br>operation | R:W EA           |        |   |   |   |
| JSR<br>@ERn                | Advanced | R:W<br>NEXT | R:W EA                              | W:W:M<br>Stack (H)                  | W:W<br>Stack (L)                    |                  |        |   |   |   |
| JSR<br>@aa:24              | Advanced | R:W 2nd     | 1 State of<br>internal<br>operation | R:W EA                              | W:W:M<br>Stack (H)                  | W:W<br>Stack (L) |        |   |   |   |
| JSR<br>@@aa:<br>8          | Advanced | R:W<br>NEXT | R:W:M<br>aa:8                       | R:W aa:8                            | W:W:M<br>Stack (H)                  | W:W<br>Stack (L) | R:W EA |   |   |   |
| LDC #xx:8,CCR              |          | R:W<br>NEXT |                                     |                                     |                                     |                  |        |   |   |   |
| LDC #xx:8,EXR              |          | R:W 2nd     | R:W<br>NEXT                         |                                     |                                     |                  |        |   |   |   |
| LDC Rs,CCR                 |          | R:W<br>NEXT |                                     |                                     |                                     |                  |        |   |   |   |
| LDC Rs,EXR                 |          | R:W<br>NEXT |                                     |                                     |                                     |                  |        |   |   |   |
| LDC<br>@ERs,CCR            |          | R:W 2nd     | R:W<br>NEXT                         | R:W EA                              |                                     |                  |        |   |   |   |
| LDC<br>@ERs,EXR            |          | R:W 2nd     | R:W<br>NEXT                         | R:W EA                              |                                     |                  |        |   |   |   |
| LDC<br>@(d:16,ERs),<br>CR  |          | R:W 2nd     | R:W 3rd                             | R:W<br>NEXT                         | R:W EA                              |                  |        |   |   |   |
| LDC<br>@(d:16,ERs),<br>EXR |          | R:W 2nd     | R:W 3rd                             | R:W<br>NEXT                         | R:W EA                              |                  |        |   |   |   |
| LDC<br>@(d:32,ERs),<br>CCR |          | R:W 2nd     | R:W 3rd                             | R:W 4th                             | R:W 5th                             | R:W<br>NEXT      | R:W EA |   |   |   |
| LDC<br>@(d:32,ERs),<br>EXR |          | R:W 2nd     | R:W 3rd                             | R:W 4th                             | R:W 5th                             | R:W<br>NEXT      | R:W EA |   |   |   |
| LDC<br>@ERs+,CCR           |          | R:W 2nd     | R:W<br>NEXT                         | 1 State of<br>internal<br>operation | R:W EA                              |                  |        |   |   |   |
| LDC<br>@ERs+,EXR           |          | R:W 2nd     | R:W<br>NEXT                         | 1 State of<br>internal<br>operation | R:W EA                              |                  |        |   |   |   |

| Instruction                   | 1                   | 2                                   | 3                                   | 4                       | 5                      | 6 | 7 | 8 | 9 |
|-------------------------------|---------------------|-------------------------------------|-------------------------------------|-------------------------|------------------------|---|---|---|---|
| LDC<br>@aa:16,CCR             | R:W 2nd             | R:W 3rd                             | R:W<br>NEXT                         | R:W EA                  |                        |   |   |   |   |
| LDC<br>@aa:16,EXR             | R:W 2nd             | R:W 3rd                             | R:W<br>NEXT                         | R:W EA                  |                        |   |   |   |   |
| LDC<br>@aa:32,CCR             | R:W 2nd             | R:W 3rd                             | R:W 4th                             | R:W<br>NEXT             | R:W EA                 |   |   |   |   |
| LDC<br>@aa:32,EXR             | R:W 2nd             | R:W 3rd                             | R:W 4th                             | R:W<br>NEXT             | R:W EA                 |   |   |   |   |
| LDM.L @SP+,<br>(ERn-ERn+1) *8 | R:W 2nd             | R:W<br>NEXT                         | 1 State of<br>internal<br>operation | R:W:M<br>Stack<br>(H)*2 | R:W<br>Stack (L)<br>*2 |   |   |   |   |
| LDM.L @SP+,<br>(ERn-ERn+2) *8 | R:W 2nd             | R:W<br>NEXT                         | 1 State of<br>internal<br>operation | R:W:M<br>Stack<br>(H)*2 | R:W<br>Stack (L)<br>*2 |   |   |   |   |
| LDM.L @SP+,<br>(ERn-ERn+3) *8 | R:W 2nd             | R:W<br>NEXT                         | 1 State of<br>internal<br>operation | R:W:M<br>Stack<br>(H)*2 | R:W<br>Stack (L)<br>*2 |   |   |   |   |
| LDMAC<br>ERs,MACH             | R:W<br>NEXT         | 1 State of<br>internal<br>operation |                                     |                         |                        |   |   |   |   |
| LDMAC<br>ERs,MACL             | R:W<br>NEXT         | 1 State of<br>internal<br>operation |                                     |                         |                        |   |   |   |   |
| MAC @ERn+,<br>@ERm+           | R:W 2nd             | R:W<br>NEXT                         | R:W EAn                             | R:W EAm                 |                        |   |   |   |   |
| MOV.B #xx:8,Rd                | R:W<br>NEXT         |                                     |                                     |                         |                        |   |   |   |   |
| MOV.B Rs,Rd                   | R:W<br>NEXT         |                                     |                                     |                         |                        |   |   |   |   |
| MOV.B<br>@ERs,Rd              | R:W<br>NEXT         | R:B EA                              |                                     |                         |                        |   |   |   |   |
| MOV.B<br>@(d:16,ERs),<br>Rd   | R:W 2 <sup>nd</sup> | R:W<br>NEXT                         | R:B EA                              |                         |                        |   |   |   |   |
| MOV.B<br>@(d:32,ERs),<br>Rd   | R:W 2nd             | R:W 3rd                             | R:W 4th                             | R:W<br>NEXT             | R:B EA                 |   |   |   |   |
| MOV.B<br>@ERs+,Rd             | R:W<br>NEXT         | 1 State of<br>internal<br>operation | R:B EA                              |                         |                        |   |   |   |   |



| Instruction                 | 1           | 2                                   | 3           | 4           | 5      | 6 | 7 | 8 | 9 |
|-----------------------------|-------------|-------------------------------------|-------------|-------------|--------|---|---|---|---|
| MOV.B<br>@aa:8,Rd           | R:W<br>NEXT | R:B EA                              |             |             |        |   |   |   |   |
| MOV.B<br>@aa:16,Rd          | R:W 2nd     | R:W<br>NEXT                         | R:B EA      |             |        |   |   |   |   |
| MOV.B<br>@aa:32,Rd          | R:W 2nd     | R:W 3rd                             | R:W<br>NEXT | R:B EA      |        |   |   |   |   |
| MOV.B<br>Rs,@ERd            | R:W<br>NEXT | W:B EA                              |             |             |        |   |   |   |   |
| MOV.B Rs,<br>@(d:16,ERd)    | R:W 2nd     | R:W<br>NEXT                         | W:B EA      |             |        |   |   |   |   |
| MOV.B Rs,<br>@(d:32,ERd)    | R:W 2nd     | R:W 3rd                             | R:W 4th     | R:W<br>NEXT | W:B EA |   |   |   |   |
| MOV.B<br>Rs,@-ERd           | R:W<br>NEXT | 1 State of<br>internal<br>operation | W:B EA      |             |        |   |   |   |   |
| MOV.B<br>Rs,@aa:8           | R:W<br>NEXT | W:B EA                              |             |             |        |   |   |   |   |
| MOV.B<br>Rs,@aa:16          | R:W 2nd     | R:W<br>NEXT                         | W:B EA      |             |        |   |   |   |   |
| MOV.B<br>Rs,@aa:32          | R:W 2nd     | R:W 3rd                             | R:W<br>NEXT | W:B EA      |        |   |   |   |   |
| MOV.W<br>#xx:16,Rd          | R:W 2nd     | R:W<br>NEXT                         |             |             |        |   |   |   |   |
| MOV.W Rs,Rd                 | R:W<br>NEXT |                                     |             |             |        |   |   |   |   |
| MOV.W<br>@ERs,Rd            | R:W<br>NEXT | R:W EA                              |             |             |        |   |   |   |   |
| MOV.W<br>@(d:16,ERs),<br>Rd | R:W 2nd     | R:W<br>NEXT                         | R:W EA      |             |        |   |   |   |   |
| MOV.W<br>@(d:32,ERs),<br>Rd | R:W 2nd     | R:W 3rd                             | R:W 4th     | R:W<br>NEXT | R:W EA |   |   |   |   |
| MOV.W<br>@ERs+,Rd           | R:W<br>NEXT | 1 State of<br>internal<br>operation | R:W EA      |             |        |   |   |   |   |
| MOV.W<br>@aa:16,Rd          | R:W 2nd     | R:W<br>NEXT                         | R:W EA      |             |        |   |   |   |   |
| MOV.W<br>@aa:32,Rd          | R:W 2nd     | R:W 3rd                             | R:W<br>NEXT | R:B EA      |        |   |   |   |   |

| Instruction                  | 1           | 2                                   | 3                                   | 4           | 5           | 6           | 7           | 8 | 9 |
|------------------------------|-------------|-------------------------------------|-------------------------------------|-------------|-------------|-------------|-------------|---|---|
| MOV.W<br>Rs,@ERd             | R:W<br>NEXT | W:W EA                              |                                     |             |             |             |             |   |   |
| MOV.W Rs,<br>@(d:16,ERd)     | R:W 2nd     | R:W<br>NEXT                         | W:W EA                              |             |             |             |             |   |   |
| MOV.W Rs,<br>@(d:32,ERd)     | R:W 2nd     | R:W 3rd                             | R:W 4th                             | R:W<br>NEXT | W:W EA      |             |             |   |   |
| MOV.W<br>Rs,@-ERd            | R:W<br>NEXT | 1 State of<br>internal<br>operation | W:W EA                              |             |             |             |             |   |   |
| MOV.W<br>Rs,@aa:16           | R:W 2nd     | R:W<br>NEXT                         | W:W EA                              |             |             |             |             |   |   |
| MOV.W<br>Rs,@aa:32           | R:W 2nd     | R:W 3rd                             | R:W<br>NEXT                         | W:W EA      |             |             |             |   |   |
| MOV.L<br>#xx:32,ERd          | R:W 2nd     | R:W 3rd                             | R:W<br>NEXT                         |             |             |             |             |   |   |
| MOV.L ERs,ERd                | R:W<br>NEXT |                                     |                                     |             |             |             |             |   |   |
| MOV.L<br>@ERs,ERd            | R:W 2nd     | R:W<br>NEXT                         | R:W:M<br>EA                         | R:W<br>EA+2 |             |             |             |   |   |
| MOV.L<br>@(d:16,ERs),<br>ERd | R:W 2nd     | R:W 3rd                             | R:W<br>NEXT                         | R:W:M<br>EA | R:W<br>EA+2 |             |             |   |   |
| MOV.L<br>@(d:32,ERs),<br>ERd | R:W 2nd     | R:W 3rd                             | R:W 4th                             | R:W 5th     | R:W<br>NEXT | R:W:M<br>EA | R:W<br>EA+2 |   |   |
| MOV.L<br>@ERs+,ERd           | R:W 2nd     | R:W<br>NEXT                         | 1 State of<br>internal<br>operation | R:W:M<br>EA | R:W<br>EA+2 |             |             |   |   |
| MOV.L<br>@aa:16,ERd          | R:W 2nd     | R:W 3rd                             | R:W<br>NEXT                         | R:W:M<br>EA | R:W<br>EA+2 |             |             |   |   |
| MOV.L<br>@aa:32,ERd          | R:W 2nd     | R:W 3rd                             | R:W 4th                             | R:W<br>NEXT | R:W:M<br>EA | R:W<br>EA+2 |             |   |   |
| MOV.L<br>ERs,@ERd            | R:W 2nd     | R:W<br>NEXT                         | W:W:M<br>EA                         | W:W<br>EA+2 |             |             |             |   |   |
| MOV.L ERs,<br>@(d:16,ERd)    | R:W 2nd     | R:W 3rd                             | R:W<br>NEXT                         | W:W:M<br>EA | W:W<br>EA+2 |             |             |   |   |
| MOV.L ERs,<br>@(d:32,ERd)    | R:W 2nd     | R:W 3rd                             | R:W 4th                             | R:W 5th     | R:W<br>NEXT | W:W:M<br>EA | W:W<br>EA+2 |   |   |
| MOV.L ERs,@-<br>ERd          | R:W 2nd     | R:W<br>NEXT                         | 1 State of<br>internal<br>operation | W:W:M<br>EA | W:W<br>EA+2 |             |             |   |   |

| Instruction         | 1                          | 2                                | 3                                | 4           | 5           | 6           | 7 | 8 | 9 |
|---------------------|----------------------------|----------------------------------|----------------------------------|-------------|-------------|-------------|---|---|---|
| MOV.L<br>ERs,@aa:16 | R:W 2nd                    | R:W 3rd                          | R:W<br>NEXT                      | W:W:M<br>EA | W:W<br>EA+2 |             |   |   |   |
| MOV.L<br>ERs,@aa:32 | R:W 2nd                    | R:W 3rd                          | R:W 4th                          | R:W<br>NEXT | W:W:M<br>EA | W:W<br>EA+2 |   |   |   |
| MOVFP<br>@aa:16,Rd  | Not available in this LSI. |                                  |                                  |             |             |             |   |   |   |
| MOVTPE<br>Rs,@aa:16 |                            |                                  |                                  |             |             |             |   |   |   |
| MULXS.B Rs,Rd       | R:W 2nd                    | R:W<br>NEXT                      | 2 State of internal<br>operation |             |             |             |   |   |   |
| MULXS.W<br>Rs,ERd   | R:W 2nd                    | R:W<br>NEXT                      | 3 State of internal operation    |             |             |             |   |   |   |
| MULXU.B Rs,Rd       | R:W<br>NEXT                | 2 State of internal<br>operation |                                  |             |             |             |   |   |   |
| MULXU.W<br>Rs,ERd   | R:W<br>NEXT                | 3 State of internal operation    |                                  |             |             |             |   |   |   |
| NEG.B Rd            | R:W<br>NEXT                |                                  |                                  |             |             |             |   |   |   |
| NEG.W Rd            | R:W<br>NEXT                |                                  |                                  |             |             |             |   |   |   |
| NEG.L ERd           | R:W<br>NEXT                |                                  |                                  |             |             |             |   |   |   |
| NOP                 | R:W<br>NEXT                |                                  |                                  |             |             |             |   |   |   |
| NOT.B Rd            | R:W<br>NEXT                |                                  |                                  |             |             |             |   |   |   |
| NOT.W Rd            | R:W<br>NEXT                |                                  |                                  |             |             |             |   |   |   |
| NOT.L ERd           | R:W<br>NEXT                |                                  |                                  |             |             |             |   |   |   |
| OR.B #xx:8,Rd       | R:W<br>NEXT                |                                  |                                  |             |             |             |   |   |   |
| OR.B Rs,Rd          | R:W<br>NEXT                |                                  |                                  |             |             |             |   |   |   |
| OR.W #xx:16,Rd      | R:W 2nd                    | R:W<br>NEXT                      |                                  |             |             |             |   |   |   |
| OR.W Rs,Rd          | R:W<br>NEXT                |                                  |                                  |             |             |             |   |   |   |
| OR.L<br>#xx:32,ERd  | R:W 2nd                    | R:W 3rd                          | R:W<br>NEXT                      |             |             |             |   |   |   |

| Instruction   | 1           | 2                                   | 3                                   | 4           | 5           | 6 | 7 | 8 | 9 |
|---------------|-------------|-------------------------------------|-------------------------------------|-------------|-------------|---|---|---|---|
| OR.L ERs,ERd  | R:W 2nd     | R:W<br>NEXT                         |                                     |             |             |   |   |   |   |
| ORC #xx:8,CCR | R:W<br>NEXT |                                     |                                     |             |             |   |   |   |   |
| ORC #xx:8,EXR | R:W 2nd     | R:W<br>NEXT                         |                                     |             |             |   |   |   |   |
| POP.W Rn      | R:W<br>NEXT | 1 State of<br>internal<br>operation | R:W EA                              |             |             |   |   |   |   |
| POP.L ERn     | R:W 2nd     | R:W<br>NEXT                         | 1 State of<br>internal<br>operation | R:W:M<br>EA | R:W<br>EA+2 |   |   |   |   |
| PUSH.W Rn     | R:W<br>NEXT | 1 State of<br>internal<br>operation | W:W EA                              |             |             |   |   |   |   |
| PUSH.L ERn    | R:W 2nd     | R:W<br>NEXT                         | 1 State of<br>internal<br>operation | W:W:M<br>EA | W:W<br>EA+2 |   |   |   |   |
| ROTL.B Rd     | R:W<br>NEXT |                                     |                                     |             |             |   |   |   |   |
| ROTL.B #2,Rd  | R:W<br>NEXT |                                     |                                     |             |             |   |   |   |   |
| ROTL.W Rd     | R:W<br>NEXT |                                     |                                     |             |             |   |   |   |   |
| ROTL.W #2,Rd  | R:W<br>NEXT |                                     |                                     |             |             |   |   |   |   |
| ROTL.L ERd    | R:W<br>NEXT |                                     |                                     |             |             |   |   |   |   |
| ROTL.L #2,ERd | R:W<br>NEXT |                                     |                                     |             |             |   |   |   |   |
| ROTR.B Rd     | R:W<br>NEXT |                                     |                                     |             |             |   |   |   |   |
| ROTR.B #2,Rd  | R:W<br>NEXT |                                     |                                     |             |             |   |   |   |   |
| ROTR.W Rd     | R:W<br>NEXT |                                     |                                     |             |             |   |   |   |   |
| ROTR.W #2,Rd  | R:W<br>NEXT |                                     |                                     |             |             |   |   |   |   |
| ROTR.L ERd    | R:W<br>NEXT |                                     |                                     |             |             |   |   |   |   |
| ROTR.L #2,ERd | R:W<br>NEXT |                                     |                                     |             |             |   |   |   |   |

| Instruction    |          | 1           | 2                     | 3                | 4                                   | 5                                   | 6                 | 7 | 8 | 9 |
|----------------|----------|-------------|-----------------------|------------------|-------------------------------------|-------------------------------------|-------------------|---|---|---|
| ROTXL.B Rd     |          | R:W<br>NEXT |                       |                  |                                     |                                     |                   |   |   |   |
| ROTXL.B #2,Rd  |          | R:W<br>NEXT |                       |                  |                                     |                                     |                   |   |   |   |
| ROTXL.W Rd     |          | R:W<br>NEXT |                       |                  |                                     |                                     |                   |   |   |   |
| ROTXL.W #2,Rd  |          | R:W<br>NEXT |                       |                  |                                     |                                     |                   |   |   |   |
| ROTXL.L ERd    |          | R:W<br>NEXT |                       |                  |                                     |                                     |                   |   |   |   |
| ROTXL.L #2,ERd |          | R:W<br>NEXT |                       |                  |                                     |                                     |                   |   |   |   |
| ROTXR.B Rd     |          | R:W<br>NEXT |                       |                  |                                     |                                     |                   |   |   |   |
| ROTXR.B #2,Rd  |          | R:W<br>NEXT |                       |                  |                                     |                                     |                   |   |   |   |
| ROTXR.W Rd     |          | R:W<br>NEXT |                       |                  |                                     |                                     |                   |   |   |   |
| ROTXR.W #2,Rd  |          | R:W<br>NEXT |                       |                  |                                     |                                     |                   |   |   |   |
| ROTXR.L ERd    |          | R:W<br>NEXT |                       |                  |                                     |                                     |                   |   |   |   |
| ROTXR.L #2,ERd |          | R:W<br>NEXT |                       |                  |                                     |                                     |                   |   |   |   |
| RTE            |          | R:W<br>NEXT | R:W<br>Stack<br>(EXR) | R:W<br>Stack (H) | R:W<br>Stack (L)                    | 1 State of<br>internal<br>operation | R:W <sup>*3</sup> |   |   |   |
| RTS            | Advanced | R:W<br>NEXT | R:W:M<br>Stack (H)    | R:W<br>Stack (L) | 1 State of<br>internal<br>operation | R:W <sup>*3</sup>                   |                   |   |   |   |
| SHAL.B Rd      |          | R:W<br>NEXT |                       |                  |                                     |                                     |                   |   |   |   |
| SHAL.B #2,Rd   |          | R:W<br>NEXT |                       |                  |                                     |                                     |                   |   |   |   |
| SHAL.W Rd      |          | R:W<br>NEXT |                       |                  |                                     |                                     |                   |   |   |   |
| SHAL.W #2,Rd   |          | R:W<br>NEXT |                       |                  |                                     |                                     |                   |   |   |   |
| SHAL.L ERd     |          | R:W<br>NEXT |                       |                  |                                     |                                     |                   |   |   |   |

| Instruction   | 1           | 2 | 3 | 4 | 5 | 6 | 7 | 8 | 9 |
|---------------|-------------|---|---|---|---|---|---|---|---|
| SHAL.L #2,ERd | R:W<br>NEXT |   |   |   |   |   |   |   |   |
| SHAR.B Rd     | R:W<br>NEXT |   |   |   |   |   |   |   |   |
| SHAR.B #2,Rd  | R:W<br>NEXT |   |   |   |   |   |   |   |   |
| SHAR.W Rd     | R:W<br>NEXT |   |   |   |   |   |   |   |   |
| SHAR.W #2,Rd  | R:W<br>NEXT |   |   |   |   |   |   |   |   |
| SHAR.L ERd    | R:W<br>NEXT |   |   |   |   |   |   |   |   |
| SHAR.L #2,ERd | R:W<br>NEXT |   |   |   |   |   |   |   |   |
| SHLL.B Rd     | R:W<br>NEXT |   |   |   |   |   |   |   |   |
| SHLL.B #2,Rd  | R:W<br>NEXT |   |   |   |   |   |   |   |   |
| SHLL.W Rd     | R:W<br>NEXT |   |   |   |   |   |   |   |   |
| SHLL.W #2,Rd  | R:W<br>NEXT |   |   |   |   |   |   |   |   |
| SHLL.L ERd    | R:W<br>NEXT |   |   |   |   |   |   |   |   |
| SHLL.L #2,ERd | R:W<br>NEXT |   |   |   |   |   |   |   |   |
| SHLR.B Rd     | R:W<br>NEXT |   |   |   |   |   |   |   |   |
| SHLR.B #2,Rd  | R:W<br>NEXT |   |   |   |   |   |   |   |   |
| SHLR.W Rd     | R:W<br>NEXT |   |   |   |   |   |   |   |   |
| SHLR.W #2,Rd  | R:W<br>NEXT |   |   |   |   |   |   |   |   |
| SHLR.L ERd    | R:W<br>NEXT |   |   |   |   |   |   |   |   |
| SHLR.L #2,ERd | R:W<br>NEXT |   |   |   |   |   |   |   |   |

| Instruction                       | 1           | 2                           | 3                                   | 4                        | 5                      | 6      | 7 | 8 | 9 |
|-----------------------------------|-------------|-----------------------------|-------------------------------------|--------------------------|------------------------|--------|---|---|---|
| SLEEP                             | R:W<br>NEXT | Internal<br>operation:<br>M |                                     |                          |                        |        |   |   |   |
| STC CCR,Rd                        | R:W<br>NEXT |                             |                                     |                          |                        |        |   |   |   |
| STC EXR,Rd                        | R:W<br>NEXT |                             |                                     |                          |                        |        |   |   |   |
| STC<br>CCR,@ERd                   | R:W 2nd     | R:W<br>NEXT                 | W:W EA                              |                          |                        |        |   |   |   |
| STC<br>EXR,@ERd                   | R:W 2nd     | R:W<br>NEXT                 | W:W EA                              |                          |                        |        |   |   |   |
| STC CCR,<br>@(d:16,ERd)           | R:W 2nd     | R:W 3rd                     | R:W<br>NEXT                         | W:W EA                   |                        |        |   |   |   |
| STC EXR,<br>@(d:16,ERd)           | R:W 2nd     | R:W 3rd                     | R:W<br>NEXT                         | W:W EA                   |                        |        |   |   |   |
| STC CCR,<br>@(d:32,ERd)           | R:W 2nd     | R:W 3rd                     | R:W 4th                             | R:W 5th                  | R:W<br>NEXT            | W:W EA |   |   |   |
| STC EXR,<br>@(d:32,ERd)           | R:W 2nd     | R:W 3rd                     | R:W 4th                             | R:W 5th                  | R:W<br>NEXT            | W:W EA |   |   |   |
| STC CCR,<br>@-ERd                 | R:W 2nd     | R:W<br>NEXT                 | 1 state of<br>internal<br>operation | W:W EA                   |                        |        |   |   |   |
| STC EXR,<br>@-ERd                 | R:W 2nd     | R:W<br>NEXT                 | 1 state of<br>internal<br>operation | W:W EA                   |                        |        |   |   |   |
| STC<br>CCR,@aa:16                 | R:W 2nd     | R:W 3rd                     | R:W<br>NEXT                         | W:W EA                   |                        |        |   |   |   |
| STC<br>EXR,@aa:16                 | R:W 2nd     | R:W 3rd                     | R:W<br>NEXT                         | W:W EA                   |                        |        |   |   |   |
| STC<br>CCR,@aa:32                 | R:W 2nd     | R:W 3rd                     | R:W 4th                             | R:W<br>NEXT              | W:W EA                 |        |   |   |   |
| STC<br>EXR,@aa:32                 | R:W 2nd     | R:W 3rd                     | R:W 4th                             | R:W<br>NEXT              | W:W EA                 |        |   |   |   |
| STM.L (ERn-<br>ERn+1),<br>@-SP *8 | R:W 2nd     | R:W<br>NEXT                 | 1 state of<br>internal<br>operation | W:W:M<br>Stack (H)<br>*2 | W:W<br>Stack (L)<br>*2 |        |   |   |   |
| STM.L (ERn-<br>ERn+2),<br>@-SP *8 | R:W 2nd     | R:W<br>NEXT                 | 1 state of<br>internal<br>operation | W:W:M<br>Stack (H)<br>*2 | W:W<br>Stack (L)<br>*2 |        |   |   |   |

| Instruction                           |          | 1        | 2                             | 3                             | 4                              | 5                            | 6         | 7         | 8                             | 9                  |
|---------------------------------------|----------|----------|-------------------------------|-------------------------------|--------------------------------|------------------------------|-----------|-----------|-------------------------------|--------------------|
| STM.L (ERn-ERn+3), @-SP* <sup>8</sup> |          | R:W 2nd  | R:W NEXT                      | 1 state of internal operation | W:W:M Stack (H) * <sup>2</sup> | W:W Stack (L) * <sup>2</sup> |           |           |                               |                    |
| STMAC MACH,ERd                        |          | R:W NEXT |                               |                               |                                |                              |           |           |                               |                    |
| STMAC MACL,ERd                        |          | R:W NEXT |                               |                               |                                |                              |           |           |                               |                    |
| SUB.B Rs,Rd                           |          | R:W NEXT |                               |                               |                                |                              |           |           |                               |                    |
| SUB.W #xx:16,Rd                       |          | R:W 2nd  | R:W NEXT                      |                               |                                |                              |           |           |                               |                    |
| SUB.W Rs,Rd                           |          | R:W NEXT |                               |                               |                                |                              |           |           |                               |                    |
| SUB.L #xx:32,ERd                      |          | R:W 2nd  | R:W 3rd                       | R:W NEXT                      |                                |                              |           |           |                               |                    |
| SUB.L ERs,ERd                         |          | R:W NEXT |                               |                               |                                |                              |           |           |                               |                    |
| SUBS #1/2/4,ERd                       |          | R:W NEXT |                               |                               |                                |                              |           |           |                               |                    |
| SUBX #xx:8,Rd                         |          | R:W NEXT |                               |                               |                                |                              |           |           |                               |                    |
| SUBX Rs,Rd                            |          | R:W NEXT |                               |                               |                                |                              |           |           |                               |                    |
| TAS @ERd* <sup>7</sup>                |          | R:W 2nd  | R:W NEXT                      | R:B:M EA                      | W:B EA                         |                              |           |           |                               |                    |
| TRAPA #x:2                            | Advanced | R:W NEXT | 1 state of internal operation | W:W Stack (L)                 | W:W Stack (H)                  | W:W Stack (EXR)              | R:W:M VEC | R:W VEC+2 | 1 state of internal operation | R:W * <sup>6</sup> |
| XOR.B #xx8,Rd                         |          | R:W NEXT |                               |                               |                                |                              |           |           |                               |                    |
| XOR.B Rs,Rd                           |          | R:W NEXT |                               |                               |                                |                              |           |           |                               |                    |
| XOR.W #xx:16,Rd                       |          | R:W 2nd  | R:W NEXT                      |                               |                                |                              |           |           |                               |                    |
| XOR.W Rs,Rd                           |          | R:W NEXT |                               |                               |                                |                              |           |           |                               |                    |
| XOR.L #xx:32,ERd                      |          | R:W 2nd  | R:W 3rd                       | R:W NEXT                      |                                |                              |           |           |                               |                    |
| XOR.L ERs,ERd                         |          | R:W 2nd  | R:W NEXT                      |                               |                                |                              |           |           |                               |                    |



| Instruction                        |          | 1            | 2                                   | 3                                   | 4                | 5                     | 6            | 7            | 8                                   | 9      |
|------------------------------------|----------|--------------|-------------------------------------|-------------------------------------|------------------|-----------------------|--------------|--------------|-------------------------------------|--------|
| XORC<br>#xx:8,CCR                  |          | R:W<br>NEXT  |                                     |                                     |                  |                       |              |              |                                     |        |
| XORC<br>#xx:8,EXR                  |          | R:W 2nd      | R:W<br>NEXT                         |                                     |                  |                       |              |              |                                     |        |
| Reset<br>exception<br>handling     | Advanced | R:W:M<br>VEC | R:W<br>VEC+2                        | 1 state of<br>internal<br>operation | R:W *4           |                       |              |              |                                     |        |
| Interrupt<br>exception<br>handling | Advanced | R:W *5       | 1 state of<br>internal<br>operation | W:W<br>Stack (L)                    | W:W<br>Stack (H) | W:W<br>Stack<br>(EXR) | R:W:M<br>VEC | R:W<br>VEC+2 | 1 state of<br>internal<br>operation | R:W *6 |

- Notes:
1. EAs is the ER5 value and EAd the ER6 value. 1 is added to each of them after execution.  
n is the initial value of R4L or R4, and the processing is not executed when n = 0.
  2. Repeated two times when two registers are stored/retrieved, three times when three registers are stored/retrieved, and four times when four registers are stored/retrieved.
  3. Start address on returning.
  4. Start address of program.
  5. Prefetch address that is obtained by adding 2 to the saved PC.  
Reading is not performed on returning from sleep mode or software standby mode, and this is regarded as internal operation.
  6. Start address of interrupt handling routine.
  7. Registers ER0, ER1, ER4, and ER5 are used for a TAS instruction.
  8. Registers ER0 to ER6 are used for an STM/LDM instruction.



# Index

|   |     |  |          |
|---|-----|--|----------|
| 16-Bit Timer Pulse Unit (TPU) .....         | 545 | Basic Timing .....                           | 178      |
| Buffer Operation .....                      | 591 | Data Size and Data Alignment .....           | 176      |
| Cascaded Operation .....                    | 596 | Extension of Chip Select ( $\overline{CS}$ ) |          |
| Input Capture Function .....                | 588 | Assertion Period .....                       | 189      |
| Phase Counting Mode .....                   | 603 | Read Strobe (RD) Timing .....                | 188      |
| PWM Modes .....                             | 598 | Valid Strobes .....                          | 178      |
| Synchronous Operation .....                 | 589 | Wait Control .....                           | 187      |
| Toggle output .....                         | 587 | Bus Release .....                            | 277      |
| Waveform Output by Compare                  |     | Clock Pulse Generator .....                  | 955      |
| Match .....                                 | 586 | Condition Field .....                        | 61       |
| 8-Bit Timer (TMR) .....                     | 653 | Condition-Code Register .....                | 46       |
| 16-Bit Counter Mode .....                   | 668 | CPU Operating Modes .....                    | 38       |
| Cascaded Connection .....                   | 668 | Advanced Mode .....                          | 40       |
| Compare Match Count Mode .....              | 668 | Normal Mode .....                            | 38       |
| Pulse Output .....                          | 663 | Data direction register .....                | 455      |
| TCNT Incrementation Timing .....            | 664 | Data register .....                          | 455      |
| Toggle output .....                         | 673 | Data Transfer Controller (DTC) .....         | 425      |
| A/D Converter .....                         | 805 | Activation by Software .....                 | 444, 447 |
| A/D conversion time .....                   | 813 | Block Transfer Mode .....                    | 442      |
| A/D Converter Activation .....              | 611 | Chain Transfer .....                         | 443      |
| External Trigger .....                      | 815 | Chain Transfer when Counter = 0 .....        | 450      |
| Scan Mode .....                             | 812 | DTC Vector Table .....                       | 433      |
| Single Mode .....                           | 812 | Normal Mode .....                            | 440      |
| Address Space .....                         | 38  | Register Information .....                   | 433      |
| Addressing Mode .....                       | 62  | Repeat Mode .....                            | 441      |
| Absolute Address .....                      | 64  | Software Activation .....                    | 452      |
| Immediate .....                             | 64  | Vector number for the software               |          |
| Memory Indirect .....                       | 65  | activation interrupt .....                   | 431      |
| Program-Counter Relative .....              | 65  | DMA Controller (DMAC) .....                  | 279      |
| Register Direct .....                       | 63  | Activation by External Request .....         | 309      |
| Register Indirect .....                     | 63  | Block Transfer Mode .....                    | 326      |
| Register Indirect with Displacement .....   | 63  | Burst Mode .....                             | 334      |
| Register Indirect with Post-Increment ..... | 63  | Idle Mode .....                              | 314      |
| Register indirect with pre-decrement .....  | 64  | Interrupt Sources .....                      | 353      |
| Bcc .....                                   | 51  | Multi-Channel Operation .....                | 347      |
| Burst ROM Interface .....                   | 246 | Normal Mode .....                            | 323      |
| Bus Arbitration .....                       | 274 | Repeat Mode .....                            | 316      |
| Bus Controller (BSC) .....                  | 137 | Sequential Mode .....                        | 312      |

|   |     |  |     |
|---|-----|--|-----|
| Single Address Mode.....                    | 320 | Protection .....                           | 920 |
| Transfer Mode .....                         | 309 | Serial Communication Interface             |     |
| Write Data Buffer Function .....            | 346 | Specification .....                        | 924 |
| DRAM Interface .....                        | 191 | Software Protection.....                   | 921 |
| Effective Address.....                      | 62  | user boot MAT .....                        | 923 |
| effective address extension .....           | 61  | user boot memory MAT.....                  | 861 |
| Effective Address Extension.....            | 61  | User Boot Mode.....                        | 906 |
| Exception Handling .....                    | 93  | user MAT .....                             | 923 |
| Interrupt Exception Handling .....          | 98  | user memory MAT .....                      | 861 |
| Reset exception handling .....              | 95  | User Program Mode .....                    | 895 |
| Stack Status after Exception Handling       | 100 | Flash Memory (0.35- $\mu$ m F-ZTAT         |     |
| Trace Exception Handling .....              | 98  | Version) .....                             | 833 |
| Trap Instruction Exception Handling....     | 99  | Boot Mode .....                            | 846 |
| Exception Handling Vector Table .....       | 94  | Erase/Erase-Verify .....                   | 852 |
| EXDMA controller (EXDMAC)                   |     | erasing units .....                        | 838 |
| Address Mode.....                           | 375 | Error Protection.....                      | 854 |
| Auto Request Mode .....                     | 379 | Hardware Protection .....                  | 854 |
| Block Transfer Mode.....                    | 382 | Program/Program-Verify .....               | 850 |
| Burst Mode .....                            | 380 | Programmer Mode .....                      | 855 |
| Cycle Steal Mode.....                       | 379 | programming units .....                    | 838 |
| Dual Address Mode .....                     | 375 | programming/erasing in user program        |     |
| Ending DMA Transfer .....                   | 418 | mode.....                                  | 849 |
| External Request Mode.....                  | 379 | Software Protection.....                   | 854 |
| Normal Transfer Mode .....                  | 381 | General Registers .....                    | 44  |
| Repeat Area Function .....                  | 383 | I <sup>2</sup> C Bus Format .....          | 786 |
| Single Address Mode.....                    | 376 | I <sup>2</sup> C Bus Interface (IIC) ..... | 771 |
| EXDMA Controller (EXDMAC) .....             | 359 | Acknowledge .....                          | 771 |
| Extended Control Register (EXR) .....       | 45  | Slave-address .....                        | 771 |
| Flash Memory (0.18- $\mu$ m F-ZTAT Version) |     | Idle Cycle.....                            | 249 |
| Boot Mode .....                             | 891 | Input pull-up MOS.....                     | 455 |
| Communications Protocol.....                | 926 | Instruction Set .....                      | 51  |
| Error Protection .....                      | 921 | Arithmetic Operations Instructions .....   | 54  |
| Flash MAT Configuration .....               | 866 | Bit Manipulation Instructions .....        | 57  |
| Hardware Protection .....                   | 920 | Block Data Transfer Instruction.....       | 61  |
| Mode Comparison .....                       | 865 | Branch Instructions .....                  | 59  |
| off-board programming mode.....             | 862 | Data Transfer Instructions.....            | 53  |
| On-Board Programming .....                  | 891 | Logic Operations Instructions .....        | 56  |
| on-board programming mode .....             | 862 | Shift Instructions .....                   | 56  |
| Procedure Program .....                     | 910 | System Control Instruction .....           | 60  |
| Programmer Mode .....                       | 924 | Interrupt Control Modes.....               | 127 |

|   |     |                          |     |
|---|-----|--------------------------|-----|
| Interrupt Exception Handling Vector     |     | TCI1U .....              | 610 |
| Table .....                             | 121 | TCI1V .....              | 610 |
| Interrupt Mask Bit.....                 | 46  | TCI2U .....              | 610 |
| Interrupt Priority Register (IPR) ..... | 103 | TCI2V .....              | 610 |
| Interrupt Request Mask Level.....       | 45  | TCI3V .....              | 610 |
| Interrupts                              |     | TCI4U .....              | 610 |
| ADI .....                               | 816 | TCI4V .....              | 610 |
| CMI .....                               | 122 | TCI5U .....              | 610 |
| CMIA .....                              | 669 | TCI5V .....              | 610 |
| CMIA0 .....                             | 124 | TEI0 .....               | 763 |
| CMIA1 .....                             | 124 | TEI1 .....               | 125 |
| CMIB .....                              | 669 | TEI2 .....               | 125 |
| CMIB0 .....                             | 124 | TEI3 .....               | 125 |
| CMIB1 .....                             | 124 | TEI4 .....               | 125 |
| DMTEND0A .....                          | 124 | TGI0A .....              | 610 |
| DMTEND0B .....                          | 124 | TGI0B .....              | 610 |
| DMTEND1A .....                          | 124 | TGI0C .....              | 610 |
| DMTEND1B .....                          | 124 | TGI0D .....              | 610 |
| ERIO .....                              | 763 | TGI1A .....              | 610 |
| ERI1 .....                              | 125 | TGI1B .....              | 610 |
| ERI2 .....                              | 125 | TGI2A .....              | 610 |
| ERI3 .....                              | 125 | TGI2B .....              | 610 |
| ERI4 .....                              | 125 | TGI3A .....              | 610 |
| EXDMTEND2 .....                         | 124 | TGI3B .....              | 610 |
| EXDMTEND3 .....                         | 124 | TGI3C .....              | 610 |
| IICIO .....                             | 126 | TGI3D .....              | 610 |
| ICI1 .....                              | 126 | TGI4A .....              | 610 |
| IRQ0 .....                              | 122 | TGI4B .....              | 610 |
| NMI .....                               | 135 | TGI5A .....              | 610 |
| NMI Interrupt.....                      | 120 | TGI5B .....              | 610 |
| OVI .....                               | 669 | TXI0 .....               | 763 |
| OVI0 .....                              | 124 | TXI1 .....               | 125 |
| OVI1 .....                              | 124 | TXI2 .....               | 125 |
| RXI0 .....                              | 763 | TXI3 .....               | 125 |
| RXI1 .....                              | 125 | TXI4 .....               | 125 |
| RXI2 .....                              | 125 | WOVI.....                | 684 |
| RXI3 .....                              | 125 | List of Registers .....  | 981 |
| RXI4 .....                              | 125 | Register Addresses ..... | 981 |
| SWDTEND .....                           | 444 | Register Bits .....      | 993 |
| TCI0V .....                             | 123 |                          |     |

|  |                           |                |                      |
|--|---------------------------|----------------|----------------------|
| Register States in Each Operating Mode ..... | 1007                      | DADR .....     | 825, 990, 1004, 1015 |
| MCU Operating Modes .....                    | 71                        | DAR .....      | 429, 982, 993, 1007  |
| Open-drain control register .....            | 455                       | DMABCR .....   | 293, 987, 1000, 1011 |
| Operation Field .....                        | 61                        | DMACR .....    | 285, 987, 1000, 1011 |
| PLL Circuit .....                            | 961                       | DMATCR .....   | 306, 986, 1000, 1011 |
| Port Function Control Register 1 .....       | 509                       | DMAWER .....   | 304, 986, 1000, 1011 |
| Port Function Control Register 2 .....       | 485                       | DRACCR .....   | 164, 986, 999, 1011  |
| Port register .....                          | 455                       | DRAMCR .....   | 156, 986, 999, 1011  |
| Program Counter .....                        | 45                        | DTCER .....    | 430, 987, 1000, 1012 |
| Programmable Pulse Generator .....           | 631                       | DTVECR .....   | 431, 987, 1000, 1012 |
| Non-Overlapping Pulse Output .....           | 645                       | EBR1 .....     | 843, 991, 1005, 1016 |
| Output trigger .....                         | 638                       | EBR2 .....     | 844, 991, 1005, 1016 |
| Programming/Erasing Interface Parameter      |                           | EDACR .....    | 370, 982, 994, 1007  |
| Download pass/fail result parameter ...      | 880                       | EDDAR .....    | 362, 982, 994, 1007  |
| Flash erase block select parameter .....     | 888                       | EDMDR .....    | 365, 982, 994, 1007  |
| Flash multipurpose address area              |                           | EDSAR .....    | 362, 982, 994, 1007  |
| parameter .....                              | 885                       | EDTCR .....    | 363, 982, 994, 1007  |
| Flash multipurpose data destination          |                           | ETCR .....     | 284, 986, 999, 1011  |
| parameter .....                              | 885                       | EXMSTPCR ..... | 971, 987, 1001, 1012 |
| Flash pass/fail parameter .....              | 888                       | FCCS .....     | 871, 991, 1004, 1015 |
| Flash programming/erasing frequency          |                           | FECS .....     | 871, 991, 1004, 1015 |
| parameter .....                              | 882                       | FKEY .....     | 871, 991, 1004, 1015 |
| Programming/Erasing Interface Register       | 872                       | FLMCR1 .....   | 840, 991, 1004, 1015 |
| Pull-up MOS control register .....           | 455                       | FLMCR2 .....   | 842, 991, 1004, 1015 |
| RAM .....                                    | 831                       | FMATS .....    | 871, 991, 1005, 1015 |
| Register Field .....                         | 61                        | FPCS .....     | 871, 991, 1004, 1015 |
| Registers                                    |                           | FTDAR .....    | 871, 991, 1005, 1015 |
| ABWCR .....                                  | 143, 985, 998, 1010       | FVACR .....    | 871, 991, 1005, 1016 |
| ADCR .....                                   | 811, 990, 1004, 1014      | ICCRA .....    | 775, 982, 993, 1007  |
| ADCSR .....                                  | 809, 990, 1004, 1014      | ICCRB .....    | 777, 982, 993, 1007  |
| ADDR .....                                   | 808, 989, 990, 1003, 1014 | ICDRR .....    | 785, 982, 993, 1007  |
| ASTCR .....                                  | 143, 985, 998, 1010       | ICDRS .....    | 785                  |
| BCR .....                                    | 154, 986, 999, 1010       | ICDRT .....    | 785, 982, 993, 1007  |
| BROMCR .....                                 | 153, 986, 998, 1010       | ICIER .....    | 780, 982, 993, 1007  |
| BRR .....                                    | 711, 984, 996, 1009       | ICMR .....     | 778, 982, 993, 1007  |
| CRA .....                                    | 430, 982, 993, 1007       | ICSR .....     | 782, 982, 993, 1007  |
| CRB .....                                    | 430, 982, 993, 1007       | IER .....      | 108, 987, 1001, 1012 |
| CSACR .....                                  | 151, 986, 998, 1010       | INTCR .....    | 106, 987, 1001, 1012 |
| DACR .....                                   | 825, 990, 1004, 1015      | IOAR .....     | 283, 986, 999, 1011  |
|  |                           | IPR .....      | 106, 983, 995, 1008  |

|              |                           |             |                      |
|--------------|---------------------------|-------------|----------------------|
| IrCR .....   | 720, 983, 996, 1008       | PEPCR ..... | 527, 984, 996, 1009  |
| ISCR .....   | 110, 983, 995, 1008       | PFDDR.....  | 529, 984, 996, 1009  |
| ISR .....    | 116, 987, 1001, 1012      | PFDR.....   | 530, 989, 1002, 1013 |
| ITSR.....    | 117, 983, 995, 1008       | PGDDR.....  | 535, 984, 996, 1009  |
| MAR .....    | 283, 986, 999, 1011       | PGDR.....   | 536, 989, 1002, 1013 |
| MDCR .....   | 72, 987, 1001, 1012       | PHDDR.....  | 540, 989, 1002, 1013 |
| MRA .....    | 427, 982, 993, 1007       | PHDR.....   | 542, 989, 1002, 1013 |
| MRB .....    | 429, 982, 993, 1007       | PLLCR ..... | 957, 987, 1001, 1012 |
| MSTPCR ..... | 970, 987, 1001, 1012      | PMR .....   | 639, 987, 1001, 1012 |
| NDER .....   | 634, 987, 988, 1001, 1012 | PODR.....   | 635, 988, 1001, 1012 |
| NDR.....     | 635, 988, 1001, 1006      | PORT1 ..... | 461, 988, 1001, 1013 |
| P1DDR.....   | 460, 983, 996, 1008       | PORT2 ..... | 473, 988, 1001, 1013 |
| P1DR .....   | 461, 988, 1002, 1013      | PORT3 ..... | 483, 988, 1001, 1013 |
| P2DDR.....   | 472, 983, 996, 1008       | PORT4 ..... | 489, 988, 1001, 1013 |
| P2DR .....   | 473, 988, 1002, 1013      | PORT5 ..... | 492, 988, 1001, 1013 |
| P3DDR.....   | 482, 983, 996, 1008       | PORT6 ..... | 495, 988, 1001, 1013 |
| P3DR .....   | 483, 988, 1002, 1013      | PORT8 ..... | 500, 988, 1001, 1013 |
| P3ODR.....   | 484, 984, 996, 1009       | PORT9 ..... | 505, 988, 1001, 1013 |
| P5DDR.....   | 491, 983, 996, 1008       | PORTA ..... | 508, 988, 1002, 1013 |
| P5DR .....   | 491, 988, 1002, 1013      | PORTB.....  | 514, 988, 1002, 1013 |
| P6DDR.....   | 494, 983, 996, 1008       | PORTC.....  | 518, 988, 1002, 1013 |
| P6DR .....   | 495, 988, 1002, 1013      | PORTD ..... | 522, 988, 1002, 1013 |
| P8DDR.....   | 499, 983, 996, 1008       | PORTE.....  | 526, 988, 1002, 1013 |
| P8DR .....   | 500, 988, 1002, 1013      | PORTF ..... | 530, 988, 1002, 1013 |
| PADDR.....   | 507, 983, 996, 1008       | PORTG ..... | 536, 988, 1002, 1013 |
| PADR.....    | 508, 988, 1002, 1013      | PORTH ..... | 542, 989, 1002, 1013 |
| PAODR.....   | 509, 984, 996, 1009       | RDNCR.....  | 150, 985, 998, 1010  |
| PAPCR.....   | 509, 984, 996, 1009       | RDR .....   | 694, 984, 997, 1009  |
| PBDDR.....   | 513, 983, 996, 1008       | REFCR.....  | 167, 986, 999, 1011  |
| PBDR.....    | 514, 988, 1002, 1013      | RSR .....   | 694                  |
| PBPCR.....   | 515, 984, 996, 1009       | RSTCSR..... | 681, 991, 1004, 1015 |
| PCDDR.....   | 517, 983, 996, 1008       | RTCNT ..... | 170, 999, 1011       |
| PCDR.....    | 518, 989, 1002, 1013      | RTCOR ..... | 170, 986, 999, 1011  |
| PCPCR.....   | 519, 984, 996, 1009       | SAR.....    | 429, 982, 993, 1007  |
| PCR.....     | 638, 987, 1001, 1006      | SBYCR ..... | 968, 987, 1001, 1012 |
| PDDDR.....   | 521, 983, 996, 1008       | SCKCR ..... | 955, 987, 1001, 1012 |
| PDDR.....    | 522, 989, 1002, 1013      | SCMR .....  | 710, 984, 997, 1009  |
| PDPCR.....   | 523, 984, 996, 1009       | SCR.....    | 698, 984, 996, 1009  |
| PEDDR .....  | 525, 983, 996, 1008       | SEMR.....   | 721, 982, 994, 1007  |
| PEDR .....   | 526, 989, 1002, 1013      | SMR .....   | 695, 989, 1002, 1014 |

|                                      |  |                                 |     |
|--------------------------------------|--|---------------------------------|-----|
| SSIER .....                          | 119, 983, 995, 1008                                | Asynchronous Mode .....         | 723 |
| SSR .....                            | 703, 984, 997, 1009                                | Bit rate.....                   | 711 |
| SYSCR.....                           | 72, 987, 1001, 1012                                | Break .....                     | 765 |
| TCNT.....                            | 656, 985, 997, 1009                                | Clocked Synchronous Mode .....  | 740 |
| TCORA.....                           | 656, 990, 1004, 1015                               | Framing error .....             | 730 |
| TCORB.....                           | 656, 990, 1004, 1015                               | General Call Address .....      | 784 |
| TCR .....                            | 552, 657, 984, 990, 997,<br>..... 1009, 1015, 1016 | IrDA Operation .....            | 759 |
| TCSR .....                           | 679, 990, 1004, 1015                               | Mark State .....                | 765 |
| TDR .....                            | 694, 984, 996, 1009                                | Overrun error.....              | 730 |
| TGR .....                            | 573, 581, 592, 985, 991,<br>..... 997, 1006, 1010  | Parity error .....              | 730 |
| TIER .....                           | 576, 985, 997, 1009                                | Slave address.....              | 787 |
| TIOR.....                            | 558, 984, 997, 1009                                | Start condition .....           | 787 |
| TMDR.....                            | 557, 984, 997, 1009                                | Stop condition .....            | 787 |
| TSR.....                             | 578, 985, 997, 1009                                | Transfer Rate.....              | 776 |
| TSTR .....                           | 581, 991, 1004, 1015                               | Stack Pointer (SP) .....        | 44  |
| TSYR .....                           | 582, 991, 1004, 1015                               | Synchronous DRAM Interface..... | 216 |
| WTCR.....                            | 144, 985, 998, 1010                                | Trace Bit.....                  | 45  |
| Reset .....                          | 95   | TRAPA .....                     | 64  |
| RTCNT .....                          | 986  | TRAPA instruction .....         | 99  |
| Serial Communication Interface ..... | 689  | Watchdog Timer (WDT).....       | 677 |
| Acknowledge .....                    | 787  | Interval Timer Mode .....       | 683 |
|                                      |  | Overflow .....                  | 682 |
|                                      |  | Write Data Buffer.....          | 268 |



---

**Renesas 16-Bit Single-Chip Microcomputer  
Hardware Manual  
H8S/2378, H8S/2378R Group**

Publication Date: 1st Edition, September 2001  
Rev.7.00, March 18, 2009

Published by: Sales Strategic Planning Div.  
Renesas Technology Corp.

Edited by: Customer Support Department  
Global Strategic Communication Div.  
Renesas Solutions Corp.

---

Renesas Technology Corp. Sales Strategic Planning Div. Nippon Bldg., 2-6-2, Ohte-machi, Chiyoda-ku, Tokyo 100-0004, Japan

---



## RENESAS SALES OFFICES

<http://www.renesas.com>

---

Refer to "<http://www.renesas.com/en/network>" for the latest and detailed information.

### **Renesas Technology America, Inc.**

450 Holger Way, San Jose, CA 95134-1368, U.S.A  
Tel: <1> (408) 382-7500, Fax: <1> (408) 382-7501

### **Renesas Technology Europe Limited**

Dukes Meadow, Millboard Road, Bourne End, Buckinghamshire, SL8 5FH, U.K.  
Tel: <44> (1628) 585-100, Fax: <44> (1628) 585-900

### **Renesas Technology (Shanghai) Co., Ltd.**

Unit 204, 205, AZIACenter, No.1233 Lujiazui Ring Rd, Pudong District, Shanghai, China 200120  
Tel: <86> (21) 5877-1818, Fax: <86> (21) 6887-7858/7898

### **Renesas Technology Hong Kong Ltd.**

7th Floor, North Tower, World Finance Centre, Harbour City, Canton Road, Tsimshatsui, Kowloon, Hong Kong  
Tel: <852> 2265-6688, Fax: <852> 2377-3473

### **Renesas Technology Taiwan Co., Ltd.**

10th Floor, No.99, Fushing North Road, Taipei, Taiwan  
Tel: <886> (2) 2715-2888, Fax: <886> (2) 3518-3399

### **Renesas Technology Singapore Pte. Ltd.**

1 Harbour Front Avenue, #06-10, Keppel Bay Tower, Singapore 098632  
Tel: <65> 6213-0200, Fax: <65> 6278-8001

### **Renesas Technology Korea Co., Ltd.**

Kukje Center Bldg. 18th Fl., 191, 2-ka, Hangang-ro, Yongsan-ku, Seoul 140-702, Korea  
Tel: <82> (2) 796-3115, Fax: <82> (2) 796-2145

### **Renesas Technology Malaysia Sdn. Bhd**

Unit 906, Block B, Menara Amcorp, Amcorp Trade Centre, No.18, Jln Persiaran Barat, 46050 Petaling Jaya, Selangor Darul Ehsan, Malaysia  
Tel: <603> 7955-9390, Fax: <603> 7955-9510



# H8S/2378, H8S/2378R Group Hardware Manual



**Renesas Electronics Corporation**

1753, Shimonumabe, Nakahara-ku, Kawasaki-shi, Kanagawa 211-8668 Japan

REJ09B0109-0700