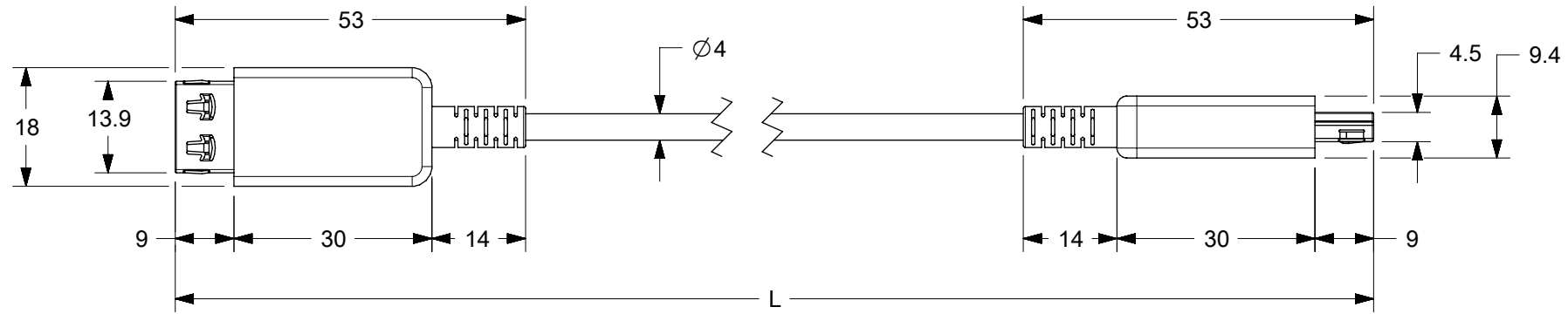


HDMI AOC P/N	OVERALL LENGTH, L (m)
1064133001	1
1064133003	3
1064133005	5
1064133010	10
1064133020	20
1064133030	30
1064133050	50
1064133100	100



- NOTES:
1. MEETS STANDARD HDMI2.0 SPECIFICATION.
 2. MATERIAL:
BACKSHELL - GLOSSY PLASTIC SHELL (ABS+PC)
CABLE - BLACK, FIRE RATING: CMP, INLCUDE 7X AWG26 COPPER WIRES AND 4X MULTIMODE FIBERS (50/125 μ m, OM2), KEVLAR FILLS AND THE TENSION CAN REACH 200 N
 3. HDMI T-GRIP CONNECTOR.

THIS DRAWING CONTAINS INFORMATION THAT IS PROPRIETARY TO MOLEX ELECTRONIC TECHNOLOGIES, LLC AND SHOULD NOT BE USED WITHOUT WRITTEN PERMISSION									
SYMBOLS	DIMENSION UNITS	SCALE	CURRENT REV DESC:						
	$\nabla = 0$	mm	1:1	EC NO: 175141					
$\nabla = 0$	GENERAL TOLERANCES (UNLESS SPECIFIED)		DRWN: IGUMIN 2018/04/06						
$\nabla = 0$	ANGULAR TOL \pm °		CHK'D: IGUMIN 2018/04/24						
$\nabla = 0$	4 PLACES	\pm	APPR: IGUMIN 2018/04/24						
$\nabla = 0$	3 PLACES	\pm	INITIAL REVISION:						
$\nabla = 0$	2 PLACES	\pm	DRWN: IGUMIN 2018/04/06						
$\nabla = 0$	1 PLACE	\pm	APPR: IGUMIN 2018/04/24						
$\nabla = 0$	0 PLACES	\pm	DRAFT WHERE APPLICABLE MUST REMAIN WITHIN DIMENSIONS						
$\nabla = 0$	THIRD ANGLE PROJECTION		DRAWING		SERIES	MATERIAL NUMBER	CUSTOMER	SHEET NUMBER	
			A-SIZE		106413	SEE TABLE		1 OF 1	

molex

HDMI 2.0 ACTIVE OPTICAL CABLE

PRODUCT CUSTOMER DRAWING

DOCUMENT NUMBER	DOC TYPE	DOC PART	REVISION
1064133001	PSD	000	A