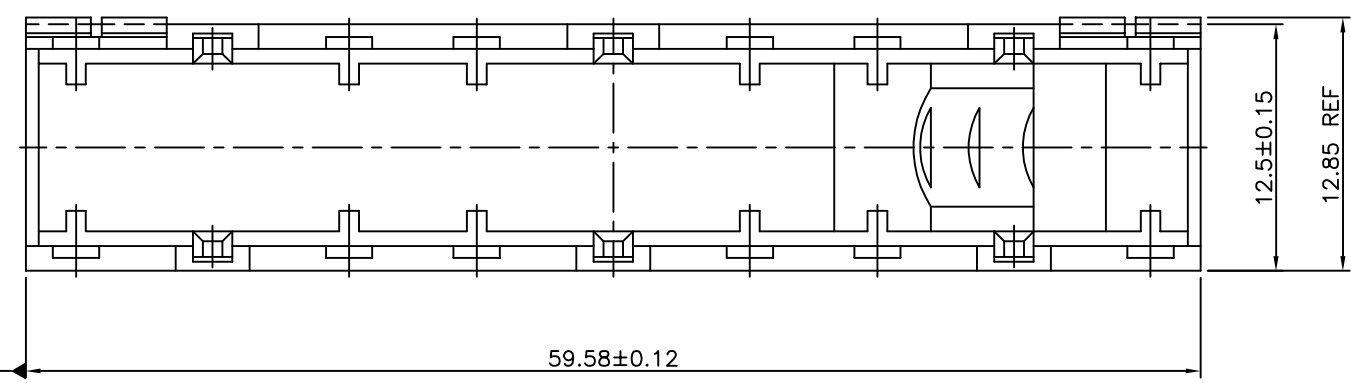
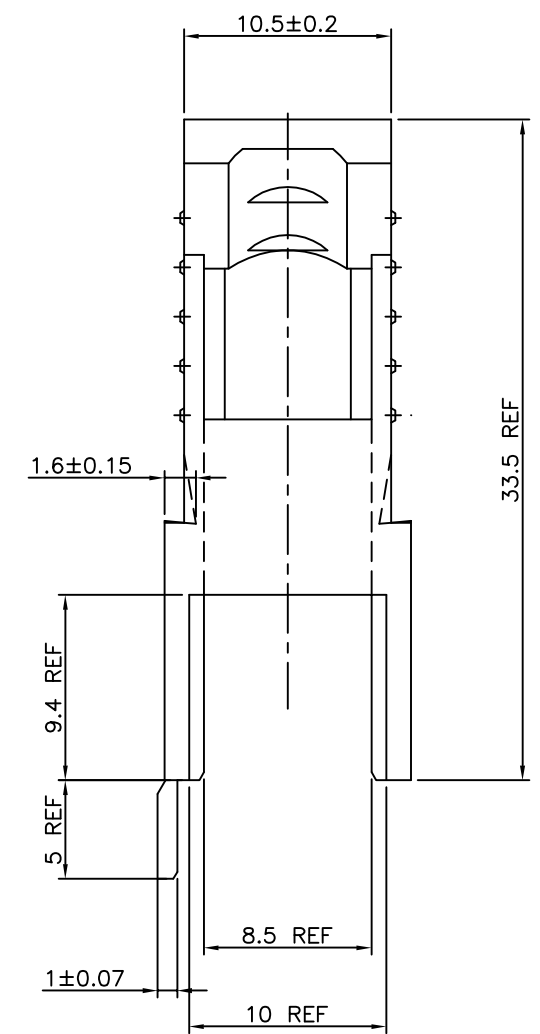
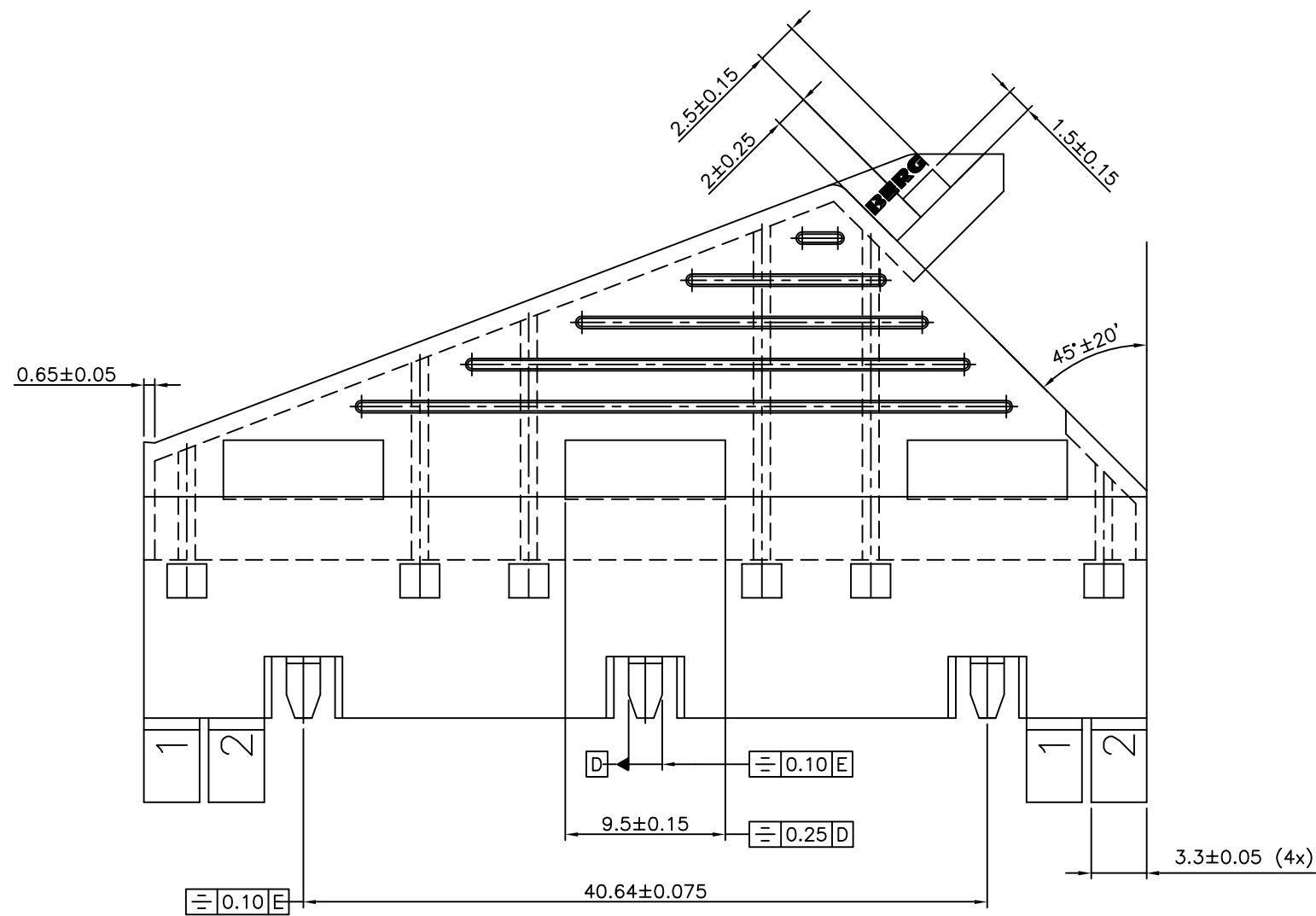


PRODUCT NUMBER 65203-001

MATERIAL: THERMOPLASTIC POLYESTER, 30% GLASSFILLED.
 COLOR: BLACK. FLAMMABILITY: UL 94 V-0.



NOTES:-

1. THIS PRODUCT MEETS EUROPEAN UNION DIRECTIVES AND OTHER COUNTRY REGULATIONS AS DESCRIBED IN GS-22-008.
2. LEADFREE OR RoHS DIRECTIVE LABELLING TO BE PROVIDED AS PER GS-14-920.
3. " LF " SUFFIX TO PRODUCT NUMBER FOR RoHS COMPATIBLE/ LEADFREE VERSION.
4. PARTS WITH AND WITHOUT "LF " SUFFIX ARE FORM-FIT AND FUNCTIONALLY IDENTICAL. " LF " SUFFIX PROVIDED FOR PART NUMBER STANDARDISATION OF PART THAT MEETS RoHS REQUIREMENTS.

mat'l. code		surface		tolerance		projection		product family			
SEE NOTE		ISO 1302		ISO 406 ISO 1101		mm		BACKPANEL			
ltr	ecn no	dr	date	tolerances unless otherwise specified		mm		title			
B	F00406	LLA	2000-05-22	angles	linear	mm		COVER 3 MOD			
C	F10143	GCO	2001-02-14			scale -		3 ROW CABLE CNR-POL			
D	I05-0123	MINI	2005-07-27					dwg no			
E	I05-0248	MINI	2005-11-22	dr	G.CORBOZ	2001-02-14		sheet 1 of 1			
F	I06-0068	MINI	2006-206-01	engr	J.F.NOTTEAU	2001-02-14		size			
				chr	RAKHEE GEORGE	2006-06-01		A3			
				appd	RAKHEE GEORGE	2006-06-01		type			
sheet index		revision sheet	F 1							Product Customer Drawing	



Copyright FCI