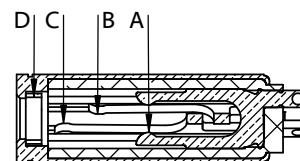
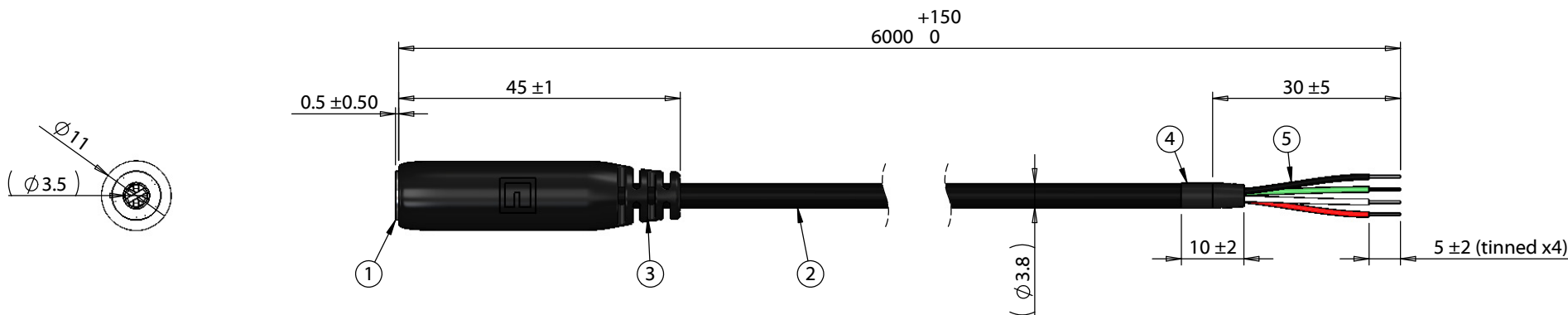


ITEM NO.	PART NUMBER	DESCRIPTION	QTY.	NOTES
1	50-00041	Connector, 4C audio jack, 3.5x7.8xL25.8 mm, brass, nickel plated, molding style	1	
2	30-00179	Wire, 3C BC, 28 AWG, 300V, 80C, 3.8 mm, foil + shield, PVC	1	
3	24-00199	Overmold	1	PVC, black
4	heat shrink	black	1	covers stripped end
5	heat shrink	black	1	covers shield



Wiring Diagram	
50-00041	wire color
A	red
B	white
C	green
D	shield

**Notes:**  
Functionally equivalent components may be substituted

Revision:	Date:	Description:	Prepared:	Notes:	<h1>TENSILITY</h1> tel 1.541.323.3228 800 877.670.7118 fax 1.541.323.4202 web tensility.com
A	2/21/2019	Initial release	AW <small>Digitally signed by AW Date: 2019.03.07 12:09:56 -08'00'</small>		
			Verified:	Function test: no open, no short circuit, no intermittent	
			GL <small>Digitally signed by GL Date: 2019.03.07 12:17:02 -08'00'</small>		
			Dimensions are in millimeters. Tolerances: X: ± 0.5 mm X.X: ± 0.3 mm X.XX: ± 0.05 mm	Description: Cable, 6000 mm, 3.5 mm 4C 50-00041 audio jack to 5 mm tinned, 28 AWG, 30-00179 wire	Size: Part number: A 10-03231
					Scale: 1:1  Sheet 1 of 1

5

4

3

2

1