

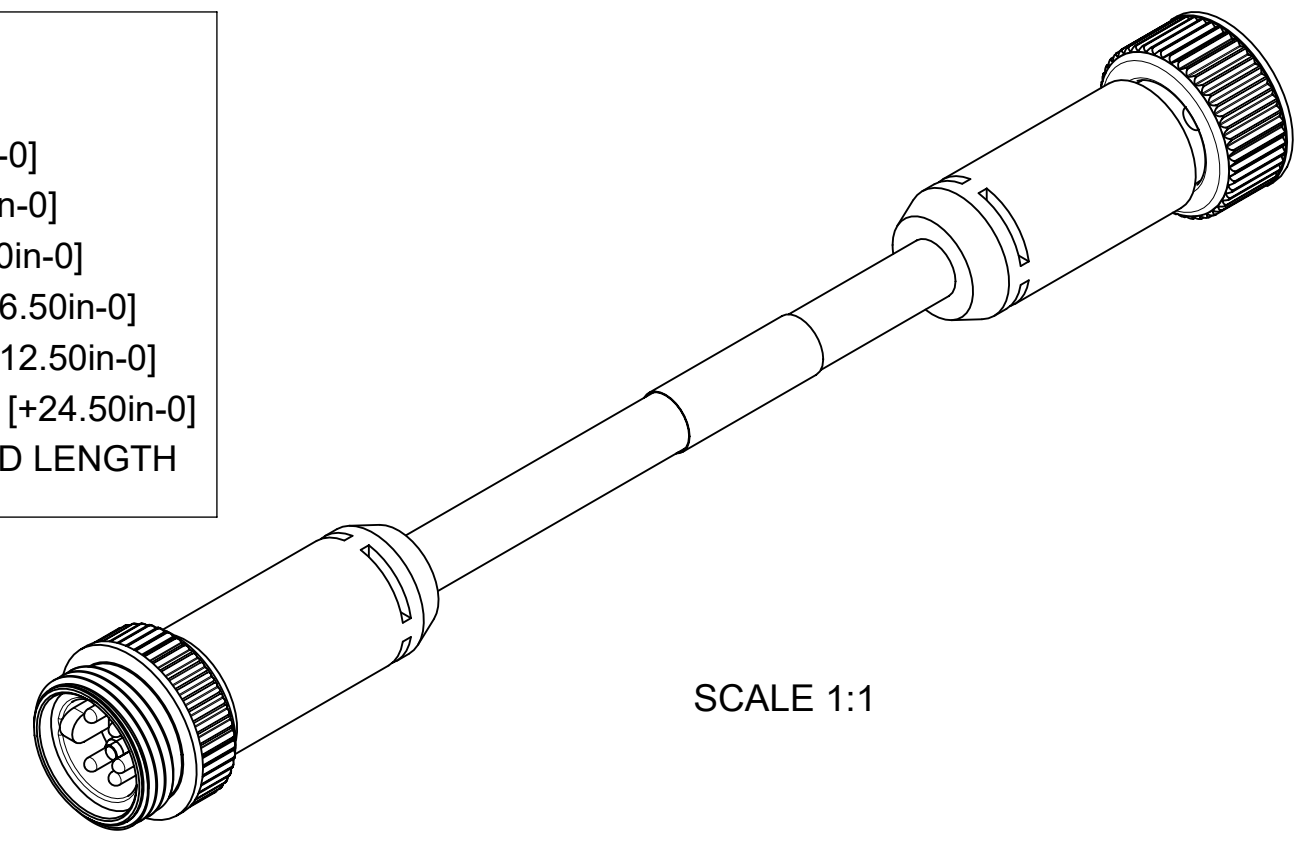
MATERIAL NO.	ENGINEERING NO.	FINISHED LENGTH
1300250501	DNDF11A-M002	7.9 IN (0.2M)
1300250510	DNDF11A-M100	32 FT 9.7 IN (10M)
1300250549	DNDF11A-M200	65 FT 7.4 IN (20M)

- NOTES:
1. MATERIAL: SEE TABLE
 2. FINISH: SEE TABLE
 3. ELECTRICAL SPECIFICATIONS
VOLTAGE RATING PER IEC60664: 300V
VOLTAGE RATING PER UL2238: 300V
CURRENT RATING: 4 AMPS
 4. TEMP RANGE: -20°C TO +80°C
 5. PROTECTION: IP67 (WHEN MATED)
 6. CSA CERTIFIED FILE: LR6837
 7. ALL DIMS ARE FOR REFERENCE UNLESS TOLERANCED OR NOTED OTHERWISE

PART NO. MATRIX
DNDF11A-M010

FINISHED LENGTH
M005= 0.5 METER
M010= 1 METER
M100= 10 METER

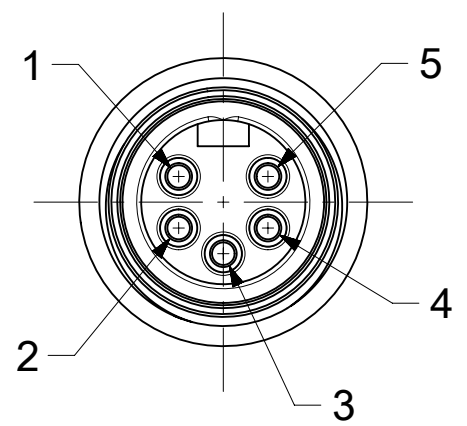
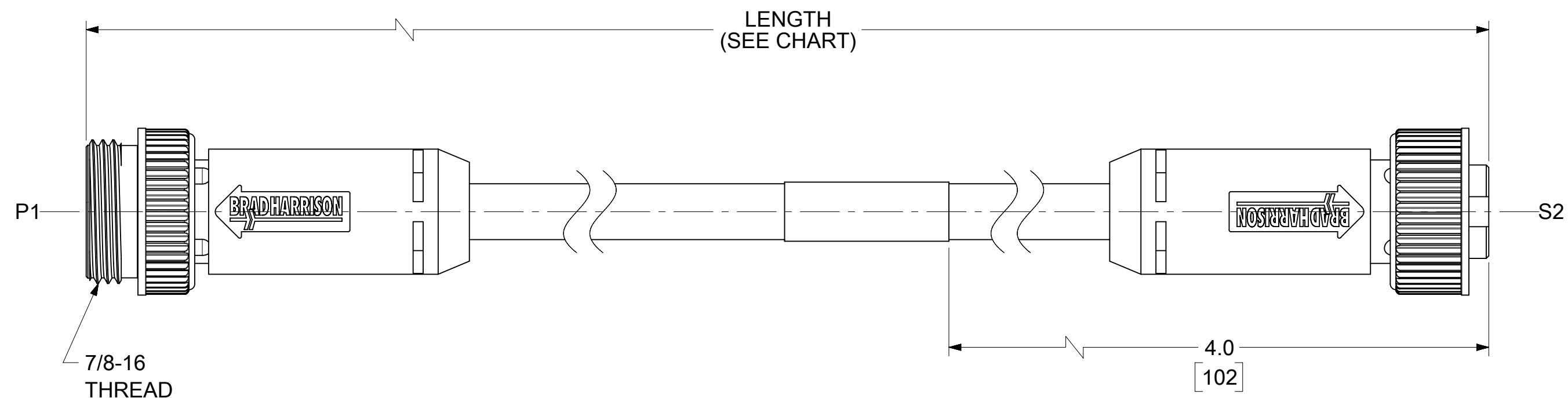
CABLE LENGTH TOLERANCES
 <.3M [1FT]: +19mm-0 [+ .75in-0]
 .3 - .9M [1 - 3FT]: +44.5mm-0 [+1.75in-0]
 .9 - 1.8M [3 - 6FT]: +55.6mm-0 [+2.19in-0]
 1.8 - 3.7M [6 - 12FT]: +88.9mm-0 [+3.50in-0]
 3.7 - 7.3M [12 - 24FT]: +165.1mm-0 [+6.50in-0]
 7.3-14.6M [24 - 48FT]: +317.5mm-0 [+12.50in-0]
 14.6 - 30.5M [48-100FT]: +622.3mm-0 [+24.50in-0]
 OVER 30M [100FT] +2% OF FINISHED LENGTH



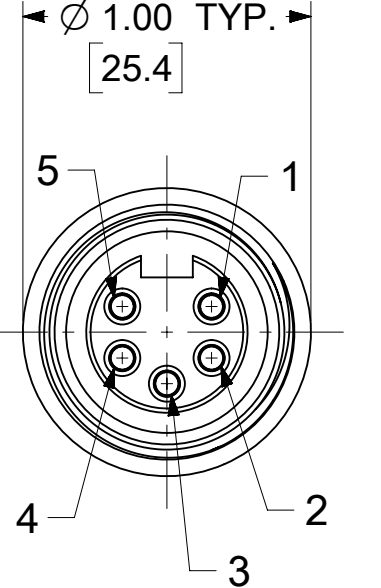
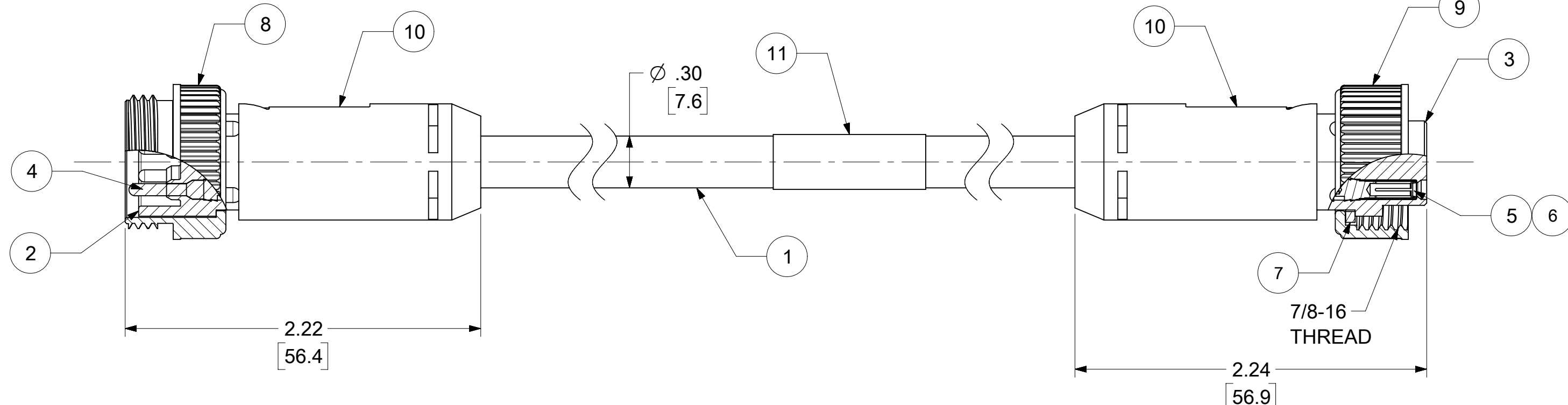
SCALE 1:1

WIRING DIAGRAM

P1		S2
1	DRAIN	1
2	RED +V	2
3	BLACK -V	3
4	WHITE CAN H	4
5	BLUE CAN L	5



MALE FACE VIEW



FEMALE FACE VIEW

ITEM	DESCRIPTION	MATERIAL	FINISH
11	LABEL	VINYL	BLACK/YELLOW
10	OVERMOLD	TPE	GRAY
9	COUPLING NUT, FEMALE THREAD	ZINC DIE CAST	BLACK E-COAT
8	COUPLING NUT, MALE THREAD	ZINC DIE CAST	BLACK E-COAT
7	FRICTION RING	NYLON	NATURAL
6	CONTACT SOCKET, 22 AWG	COPPER ALLOY	SELECTIVE GOLD/NICKEL
5	SOCKET SLEEVE	ST. STEEL	
4	CONTACT PIN, 22 AWG	COPPER ALLOY	SELECTIVE GOLD/NICKEL
3	INSERT, FEMALE, 5 POLE	TPE	GRAY
2	INSERT, MALE, 5 POLE	TPE	GRAY
1	CABLE - THIN. DEV-NET, DROP, HI-FLEX, 4/22	TPE JACKET	GRAY

FUNCTIONAL SYMBOLS	THIS DRAWING CONTAINS INFORMATION THAT IS PROPRIETARY TO MOLEX ELECTRONIC TECHNOLOGIES, LLC AND SHOULD NOT BE USED WITHOUT WRITTEN PERMISSION		CURRENT REV DESC: ITEM 2, 3, & 10 WERE PVC, ADDED CSA & MODIFIED TEMPERATURE, MATERIAL TABLE & CURRENT.	
	DIMENSION UNITS	SCALE	EC NO: 648668	
	INCH/MM	1.5:1	DRWN: VASUTHKARP	2020/05/25
	GENERAL TOLERANCES (UNLESS SPECIFIED)		CHK'D: RSTONE	2020/11/11
DIVISIONAL SYMBOLS	4 PLACES	±	APPR: BWOODMAN	2020/11/18
	3 PLACES	±	INITIAL REVISION:	
	2 PLACES	±	DRWN: RSTONE	2009/07/31
	1 PLACE	±	APPR: JFMURPHY	2009/08/10
ANGULAR TOL		± °	THIRD ANGLE PROJECTION	DRAWING SERIES
DRAFT WHERE APPLICABLE MUST REMAIN WITHIN DIMENSIONS			C-SIZE	130025

molex

MINI-CHANGE CORDSET, A SIZE, 5 POLE MALE-FEMALE, STRAIGHT, SINGLE KEY, 22 AWG DEVICE-NET DROP

PRODUCT CUSTOMER DRAWING

DOCUMENT NUMBER: **SD-130025-020** | DOC TYPE: PSD | DOC PART: 001 | REVISION: C

MATERIAL NUMBER: SEE TABLE | CUSTOMER: GENERAL MARKET | SHEET NUMBER: 1 OF 1