

MATERIAL NUMBER	# OF COLUMNS	# OF DIFF PAIR	DIM "A" MAX	DIM "B"	PTH ϕ
76495-8**	8	32	22.80	13.30	0.46 \pm 0.05
76495-8**					0.39 \pm 0.05
76495-1**	10	40	26.60	17.10	0.46 \pm 0.05
76495-1**					0.39 \pm 0.05
76495-2**	12	48	30.40	20.90	0.46 \pm 0.05
76495-2**					0.39 \pm 0.05
76495-7**	14	56	34.20	24.70	0.46 \pm 0.05
76495-7**					0.39 \pm 0.05
76495-6**	16	64	38.00	28.50	0.46 \pm 0.05
76495-6**					0.39 \pm 0.05

MODULE TYPE
5 = RIGHT GUIDED, LEAD-FREE
9 = RIGHT GUIDED, LEAD-FREE W/ ENDWALL

76495-***

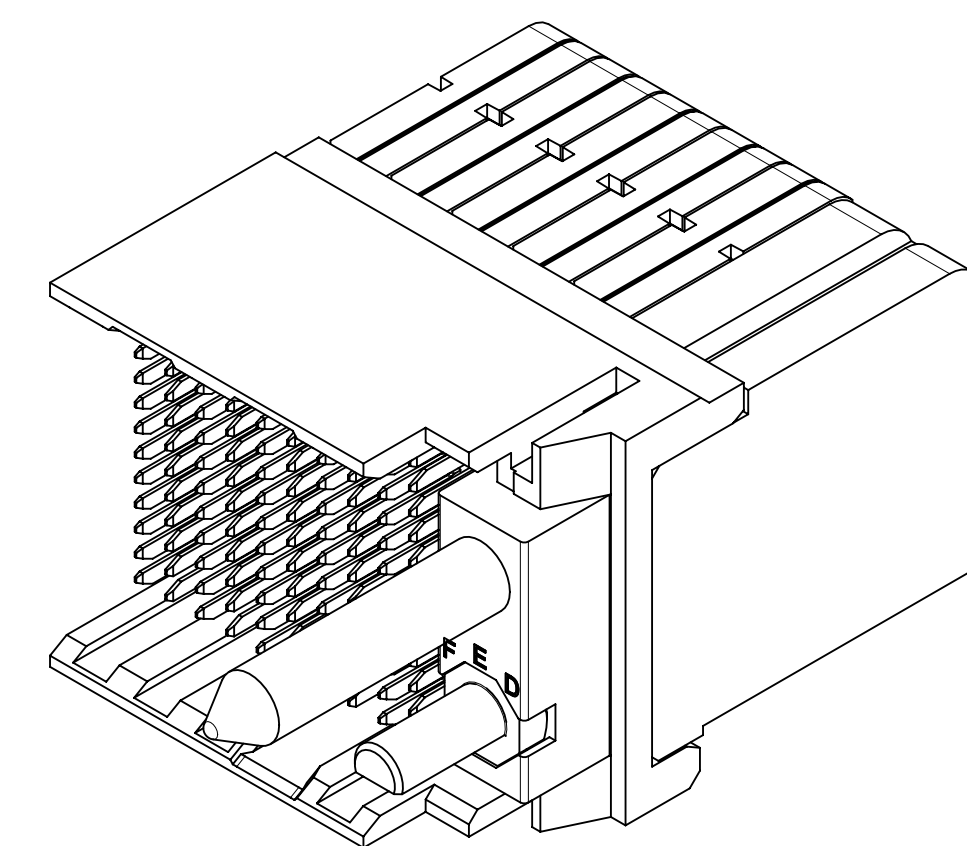
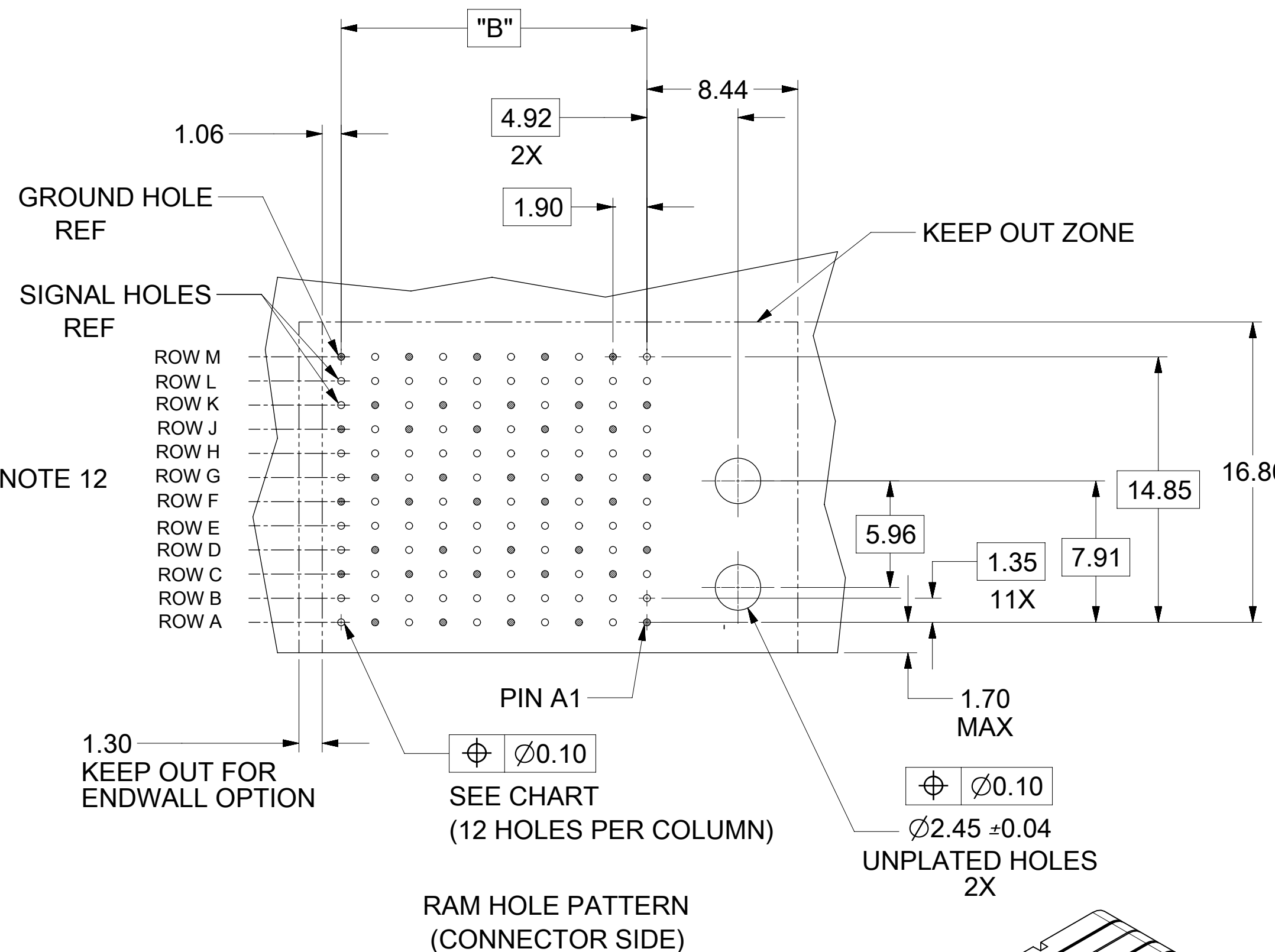
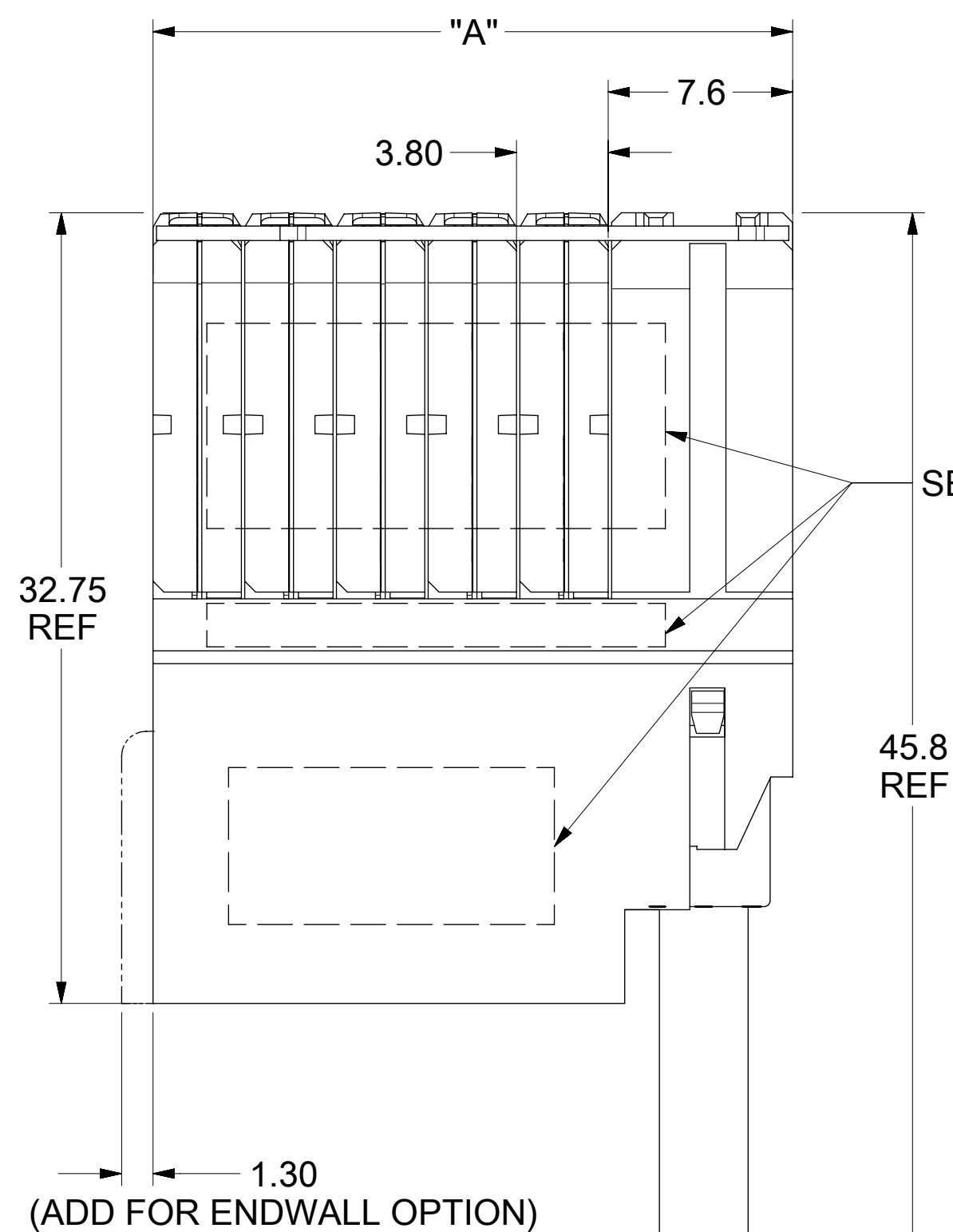
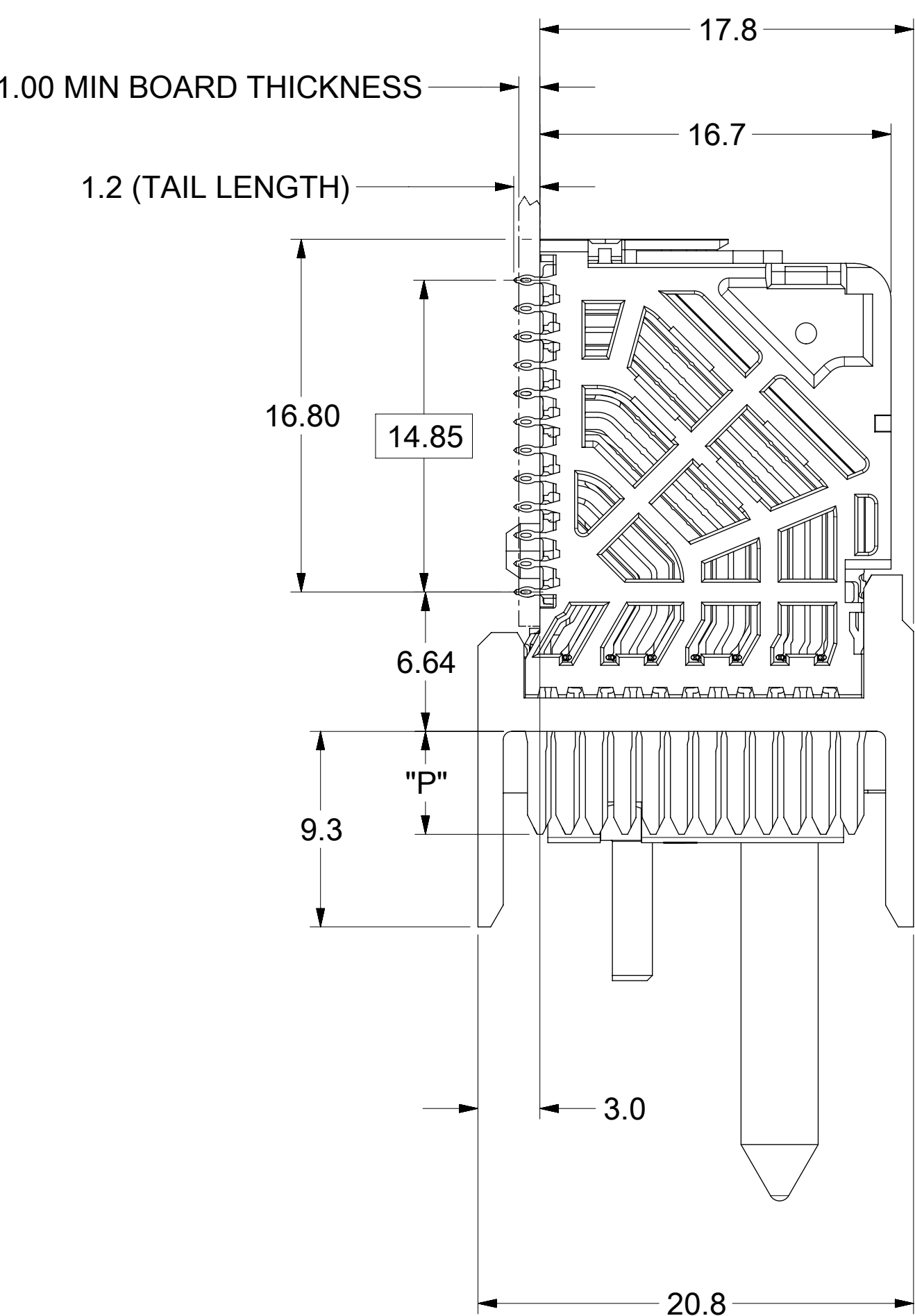
PIN LENGTH (P)
4 = 4.90 (0.46 PTH)
5 = 5.50 (0.46 PTH)
7 = 4.90 (0.39 PTH)
8 = 5.50 (0.39 PTH)

OF COLUMNS
1 = 10 COLUMNS
2 = 12 COLUMNS
6 = 16 COLUMNS
7 = 14 COLUMNS
8 = 8 COLUMNS

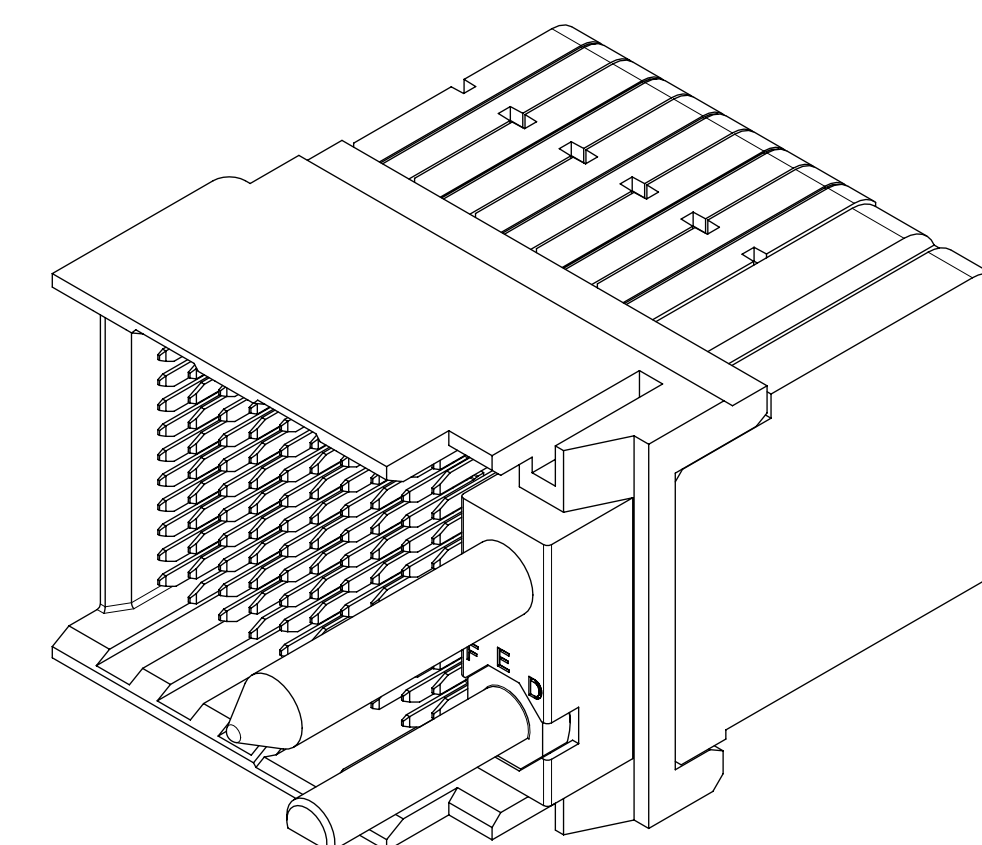
KEY ORIENTATION
0 = NO KEY
1 = A 5 = E
2 = B 6 = F
3 = C 7 = G
4 = D 8 = H

NOTES:

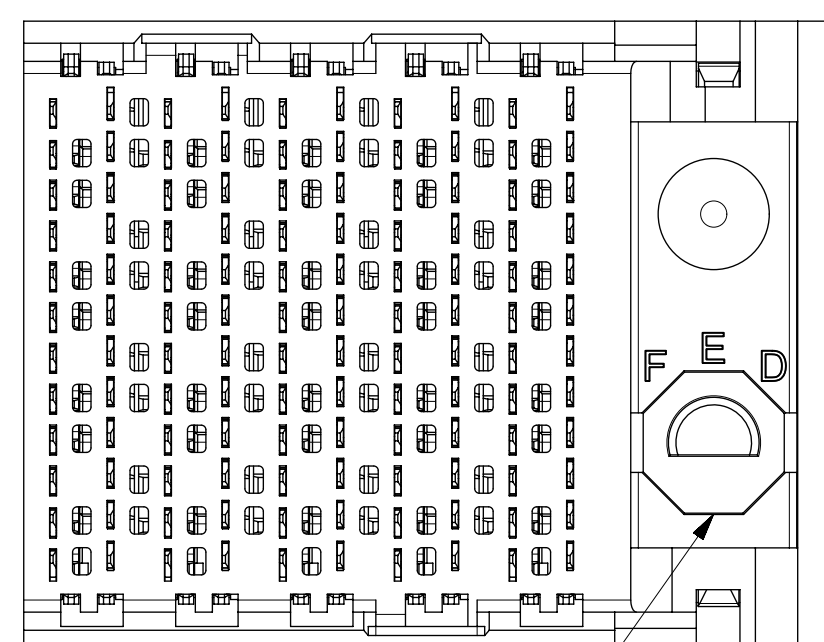
- MATERIALS: HOUSING - LIQUID CRYSTAL POLYMER (LCP), GLASS-FILLED, UL94V-0
TERMINALS - HIGH PERFORMANCE COPPER ALLOY
- FINISH: 30 μ IN SELECTIVE GOLD IN CONTACT AREA, SELECTIVE TIN ON PCB TAILS, NICKEL OVERALL.
- REFER TO MOLEX PRODUCT SPECIFICATION PS-170540-999 FOR PERFORMANCE SPECIFICATIONS AND ADDITIONAL PCB INFORMATION.
- EACH SIGNAL WAFER CONTAINS 2 COLUMNS OF TERMINALS.
- PRODUCT IS PACKAGED PER PK-70873-041.
- THIS PART CONFORMS TO CLASS B REQUIREMENTS OF COSMETIC SPEC PS-45499-002.
- REFER TO MOLEX SALES DRAWING SD-170340-002 FOR THE MATING RECEPTACLES.
- REFER TO MOLEX PCB ROUTING GUIDE AS-76060-990 FOR ANTIPAD AND ROUTING RECOMMENDATIONS.
- CONNECTORS SUPPLIED WITH A 2-32 SELF TAPPING TYPE AB P/N 73726-0000.
- GUIDE RIGHT RAM MATES WITH A GUIDE LEFT DAUGHTERCARD.
- GROUND PATHS ARE NOT DISCRETE CIRCUITS.
- MARKING: LOCATED APPROXIMATELY AS SHOWN. PART NUMBER AND DATE CODE



OPEN END OPTION



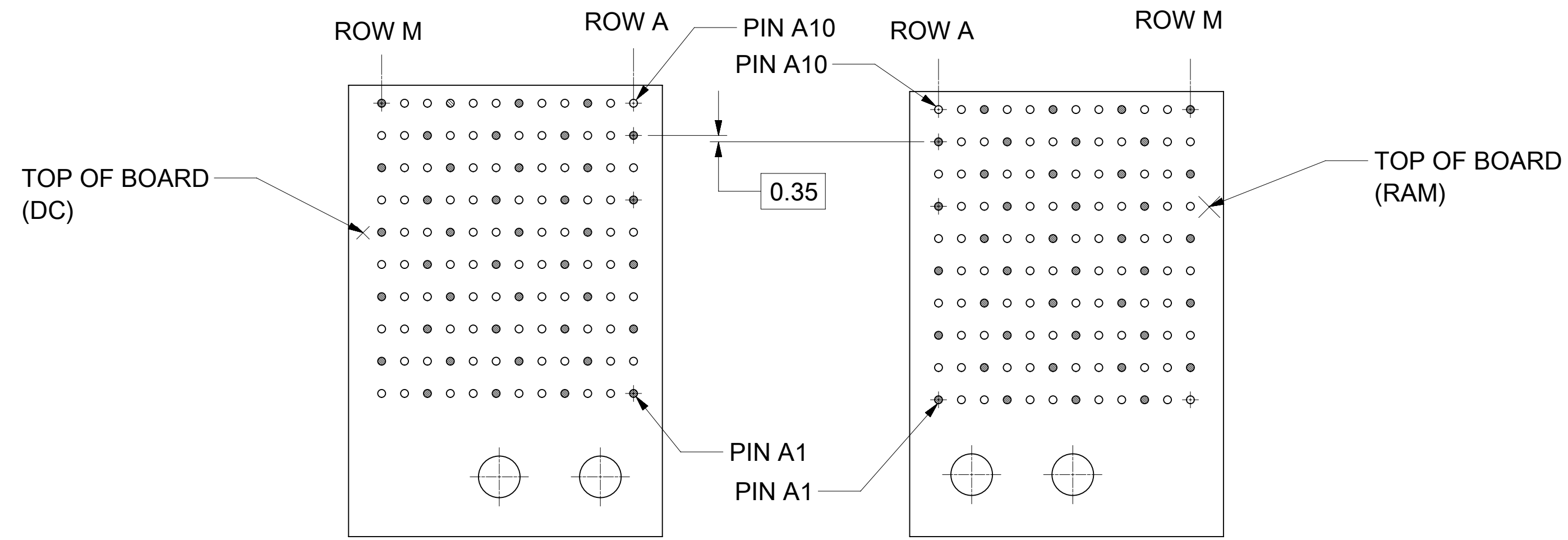
ENDWALL OPTION



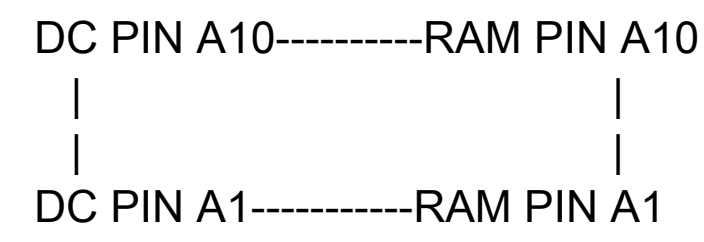
KEY SHOWN IN POSITION A

THIS DRAWING CONTAINS INFORMATION THAT IS PROPRIETARY TO MOLEX ELECTRONIC TECHNOLOGIES, LLC AND SHOULD NOT BE USED WITHOUT WRITTEN PERMISSION

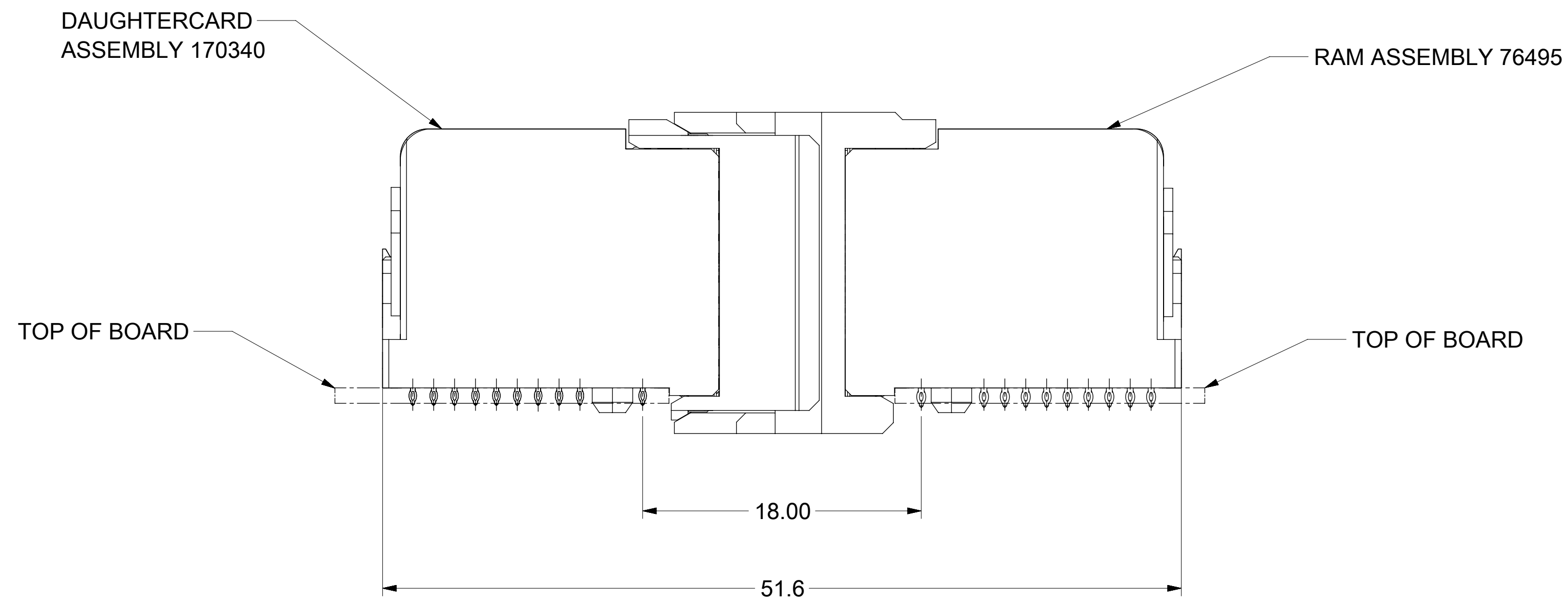
DIMENSION UNITS	SCALE	CURRENT REV DESC: CORRECTED PCB PIN MAPPING IN SHT 1 & 2.	molex			
mm	NTS		IMPACT 4 PAIR PLUS 85OHM RAM SIGNAL MODULE GUIDE RIGHT SALES DWG			
GENERAL TOLERANCES (UNLESS SPECIFIED)			PRODUCT CUSTOMER DRAWING			
ANGULAR TOL	\pm 0.5°	EC NO: 652178	DOCUMENT NUMBER	DOC TYPE	DOC PART	
4 PLACES	\pm	DRWN: DSHETTY01 2020/11/27	SD-76495-004	PSD	001	
3 PLACES	\pm	CHK'D: SHONG 2021/01/15				A5
2 PLACES	\pm 0.13	APPR: SHONG 2021/01/15				
1 PLACE	\pm 0.25	INITIAL REVISION: DRWN: JLAURX 2010/11/16 APPR: JLAURX 2012/11/19	SHEET NUMBER	1 OF 2		
0 PLACES	\pm		MATERIAL NUMBER	CUSTOMER		
DRAFT WHERE APPLICABLE MUST REMAIN WITHIN DIMENSIONS		THIRD ANGLE PROJECTION	DRAWING	SERIES		
			D-SIZE	76495	SEE CHART	
			GENERAL MARKET			



COPLANAR MATED SIGNAL PATHS



COPLANAR APPLICATION



THIS DRAWING CONTAINS INFORMATION THAT IS PROPRIETARY TO MOLEX ELECTRONIC TECHNOLOGIES, LLC AND SHOULD NOT BE USED WITHOUT WRITTEN PERMISSION									
DIMENSION UNITS	SCALE	CURRENT REV DESC: CORRECTED PCB PIN MAPPING IN SHT 1 & 2.							
mm	NTS								
GENERAL TOLERANCES (UNLESS SPECIFIED)					IMPACT 4 PAIR PLUS 85OHM RAM SIGNAL MODULE GUIDE RIGHT SALES DWG				
ANGULAR TOL	± 0.5°				PRODUCT CUSTOMER DRAWING				
4 PLACES	±	EC NO: 652178			DOCUMENT NUMBER				
3 PLACES	±	DRWN: DSHETTY01 2020/11/27			SD-76495-004				
2 PLACES	± 0.13	CHK'D: SHONG 2021/01/15			DOC TYPE				
1 PLACE	± 0.25	APPR: SHONG 2021/01/15			DOC PART				
0 PLACES	±	INITIAL REVISION:			REVISION				
DRAFT WHERE APPLICABLE MUST REMAIN WITHIN DIMENSIONS		DRWN: JLAURX 2010/11/16			PSD				
		APPR: JLAURX 2012/11/19			001				
		THIRD ANGLE PROJECTION			A5				
		DRAWING			SHEET NUMBER				
		D-SIZE			2 OF 2				
		SERIES			CUSTOMER				
		76495			GENERAL MARKET				
		MATERIAL NUMBER			SEE CHART				