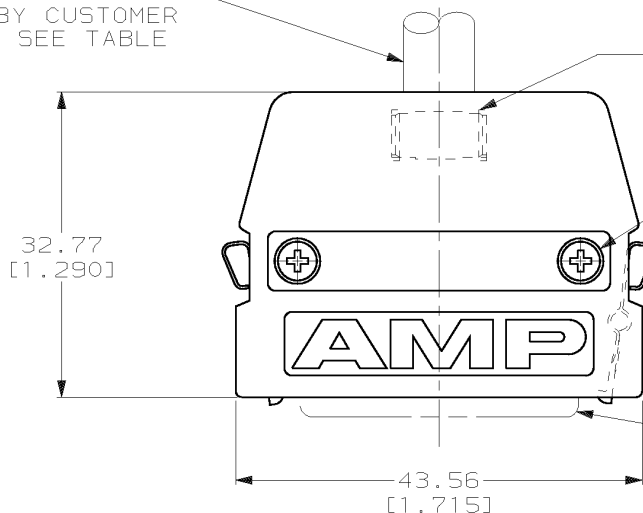


THIS DRAWING IS UNPUBLISHED. RELEASED FOR PUBLICATION .19  
 © COPYRIGHT 19 BY AMP INCORPORATED. ALL INTERNATIONAL RIGHTS RESERVED.

LOC	DIST	P	F	ZONE	LTR	DESCRIPTION	DATE	APPD
GP	00				H	REVISED PER EC 0513-0160-03	22MAY03	JG

CABLE SUPPLIED BY CUSTOMER SEE TABLE



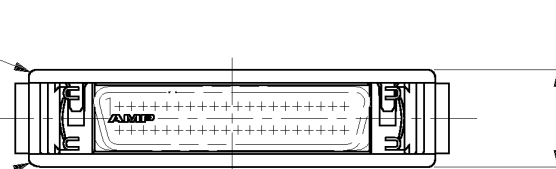
STRAIN RELIEF STAPLE (1 SUPPLIED)  
 MATERIAL: STEEL  
 FINISH: SEE TABLE

MACHINE SCREW (2 SUPPLIED)  
 #2-56 UNC X 6.35 [.250]

SPRING LATCH (2 SUPPLIED)  
 MATERIAL: STAINLESS STEEL

CONNECTOR (MUST BE PURCHASED SEPARATELY)

UPPER BACKSHELL (1 SUPPLIED)  
 MATERIAL: ZINC  
 PLATING: NICKEL OVER COPPER



LOWER BACKSHELL (1 SUPPLIED)  
 MATERIAL: ZINC  
 PLATING: NICKEL OVER COPPER

- ① 8.13 [.320] MAX CABLE DIA.
- ② 6.86 [.270] MAX CABLE DIA.
- ③ OBSOLETE PART NUMBER.
- ④ BRIGHT TIN-LEAD OVER NICKEL.
- ⑤ BRIGHT TIN OVER NICKEL.

CABLE SIZE	PACKAGING	STAPLE FINISH	PART NO
②	BULK	④	749192-3
①	BULK	④	749192-2 ③
①	INDIVIDUAL	④	749192-1

DO NOT SCALE PRINT. UNLESS SPECIFIED DIMENSIONS IN mm [INCHES] TOLERANCES ON: 2 PLC DEC ± - 3 PLC DEC ± 0.38 (.015) ANGLES ± -	DR 12-20-88 M.A. McCAFFREY CHK 12-20-88 M.E. SHIRK APPD 12-20-88 J. BROSHARD APPD 12-20-88 C.E. REYNOLDS	AMP INCORPORATED Harrisburg, Pa. 17105	
MATERIAL -	PRODUCT SPEC -	NAME KIT, UNASSEMBLED, 40 POSITION, STRAIGHT EXIT, UNKEYED, AMPLIMITE™ .050 SERIES	
FINISH -	APPLICATION SPEC -	SIZE <b>B</b>	FSCM NO 00779
	WEIGHT -	DRAWING NO 749192	SHEET 1 OF 1
		SCALE 2:1	