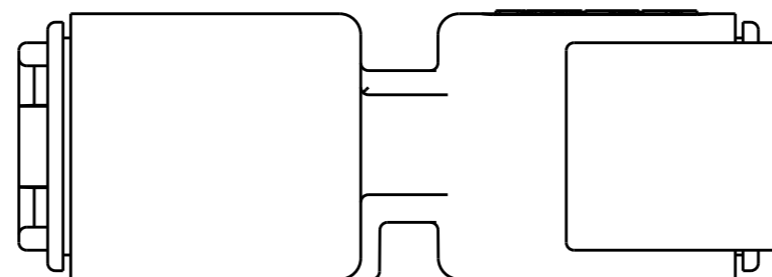
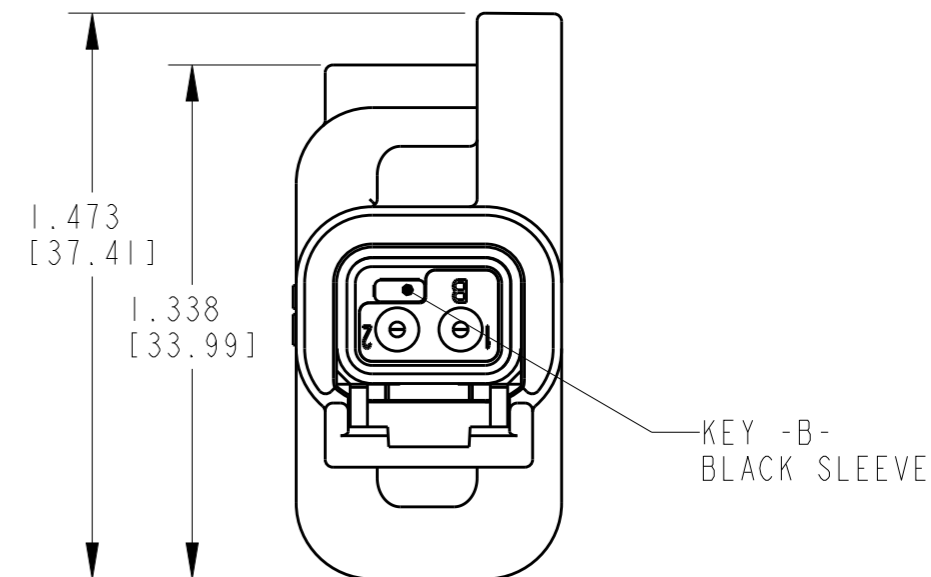
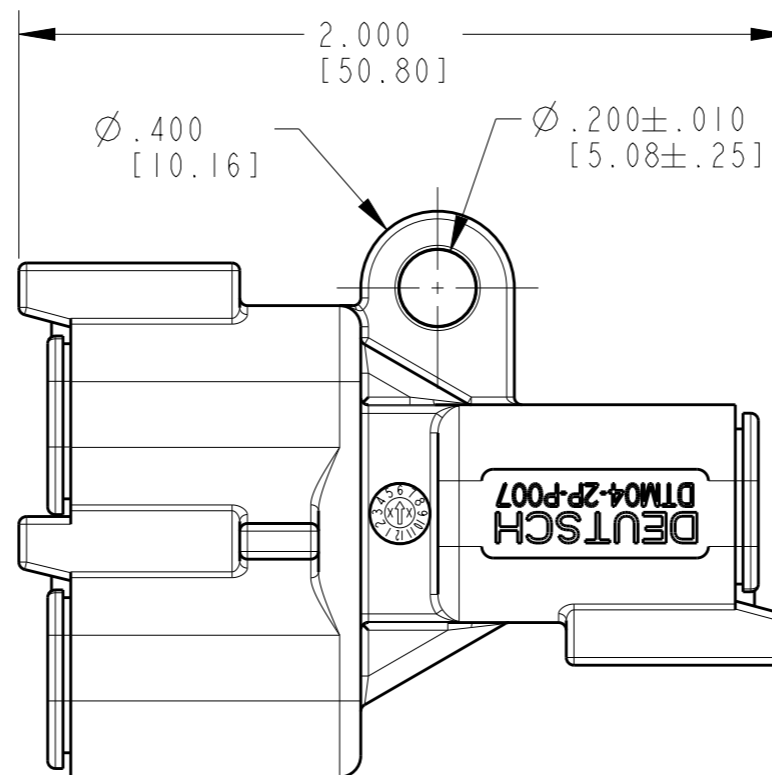
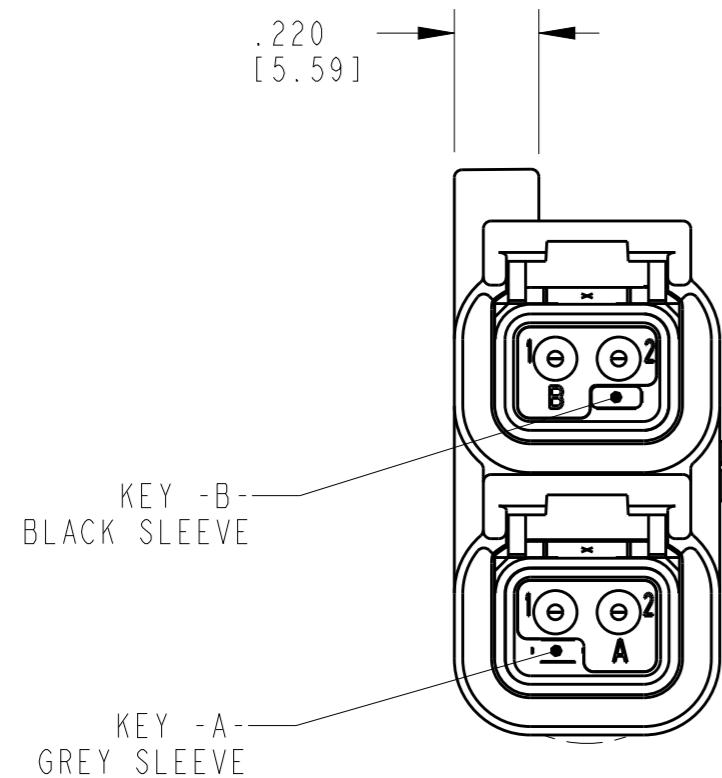


| P | LTR | DESCRIPTION | DATE | DWN | APVD |
|----|-----|-----------------------------|-----------|-----|------|
| NC | | NEW RELEASE PER E.O. PI5971 | 25MAR1999 | - | CW |
| A | | REVISED PER E.O.PI6386 | 15NOV1999 | - | CW |
| B | | REVISED PER E.O PI6907 | 18OCT2000 | - | RDR |
| BI | | REVISED PER PCN E-19-019747 | 13DEC2019 | MK | DM |



5. CONTACT FACTORY FOR SAE J1939-15 CONNECTOR USAGE.
4. THIS RECEPTACLE MATES WITH DTM06-2S-XXXX PLUG. (XXXX = ALL MODIFICATIONS)
3. HOUSING MATERIAL: PA66 GF15; COLOR:BLACK; PINS: COPPER ALLOY GOLD PLATED; SEAL: SILICONE (RED-ORANGE)
2. DIMENSIONS TOLERANCE: ±.025 [±.64].
1. ALL DIMENSIONS ARE IN INCHES [mm]

NOTES: UNLESS OTHERWISE SPECIFIED

| | | | | | |
|----------------------------------------|--|-----------------------------------------------------------------------|--|--------------------------------------------------------|--|
| THIS DRAWING IS A CONTROLLED DOCUMENT. | | DWN J. APOSTOL 02NOV1999 | | | |
| DIMENSIONS: INCHES [mm] | | CHK A. ROLINSKI 16OCT2000 | | | |
| | | TOLERANCES UNLESS OTHERWISE SPECIFIED: | | NAME RECEPTACLE 2 PIN, Y- SPLITTER P007 MOD DTM SERIES | |
| | | 0 PLC ± 1 PLC ± 2 PLC ± 3 PLC ± 4 PLC ± ANGLES ±1°0'0" | | APVD R. REED 18OCT2000 | |
| MATERIAL | | FINISH | | PRODUCT SPEC - | |
| | | | | APPLICATION SPEC - | |
| | | | | WEIGHT | |
| | | | | SIZE A3 | |
| | | | | CAGE CODE 111139 | |
| | | | | DRAWING NO. C=DTM04-2P-P007 | |
| | | | | RESTRICTED TO - | |
| | | | | CUSTOMER DRAWING | |
| | | | | SCALE 2:1 | |
| | | | | SHEET 1 OF 1 | |
| | | | | REV BI | |