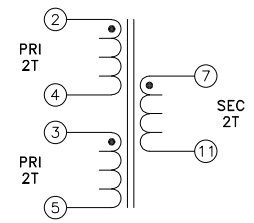
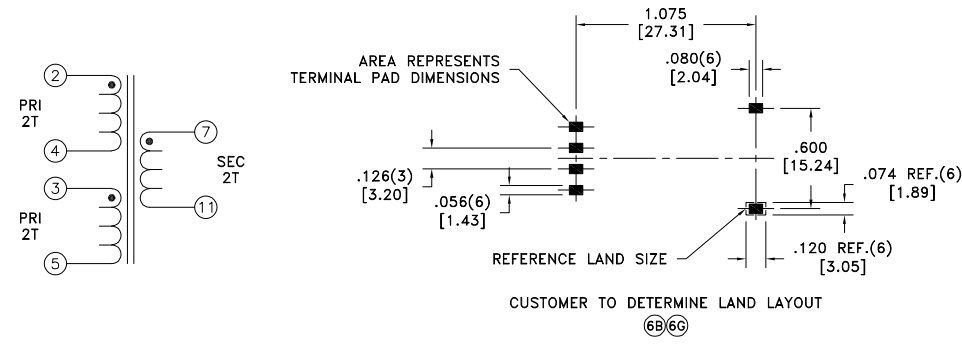
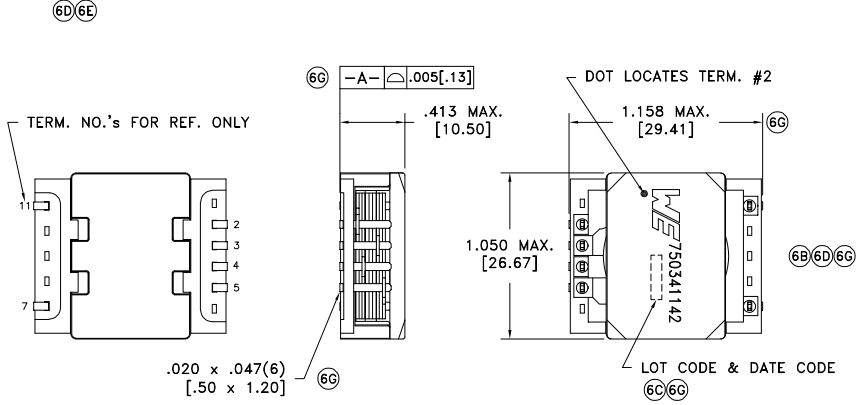


CUSTOMER TERMINAL	RoHS	LEAD(Pb)-FREE
Sn100%	Yes	Yes



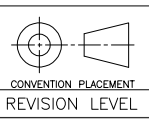
**ELECTRICAL SPECIFICATIONS @ 25°C unless otherwise noted:**

PARAMETER	TEST CONDITIONS	VALUE
6G D.C. RESISTANCE	2-4 @20°C	2.5 mOhms max.
6G D.C. RESISTANCE	3-5 @20°C	2.5 mOhms max.
6G D.C. RESISTANCE	7-11 @20°C	2.2 mOhms max.
6D INDUCTANCE	2-5 tie(3+4), 100kHz, 100mVAC, Ls	65.0uH min.
6E LEAKAGE INDUCTANCE	2-5 tie(3+4, 7+11), 100kHz, 100mVAC, Ls	200nH max.
6D DIELECTRIC	2-7 tie(3+4), 2250VDC, 1 second	-
6G TURNS RATIO	(7-11):(2-4)	1:1
6E TURNS RATIO	(7-11):(3-5)	1:1

**GENERAL SPECIFICATIONS:**  
OPERATING TEMPERATURE RANGE: -40°C to +125°C including temp rise.

6F VOLTAGE-TIME: 80VuS

REV.	DATE	Packaging Specifications
6G	4/23	Method: Tape & Reel
6F	2/22	PKG-0793
6E	4/20	www.we-online.com/midcom
6D	4/14	SEE REVISION SHEET FOR REVISION LEVEL



Tolerances unless otherwise specified:  
 Angles: ±1°      Decimals: ±.005 [.13]  
 Fractions: ±1/64      Footprint: ±.005 [.13]

This drawing is dual dimensioned. Dimensions in brackets are in millimeters.

DRAWING TITLE  
**TRANSFORMER**

eiSos p/n: 750341142



PART NO.  
**750341142**

SPECIFICATION SHEET 1 OF 1