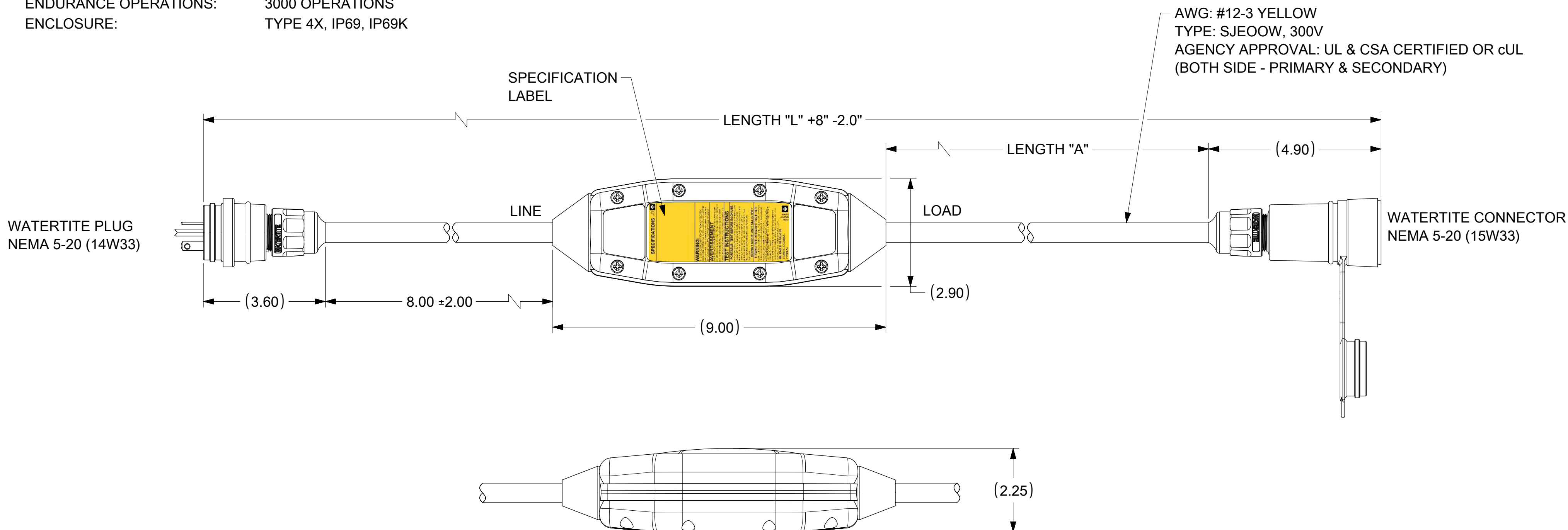
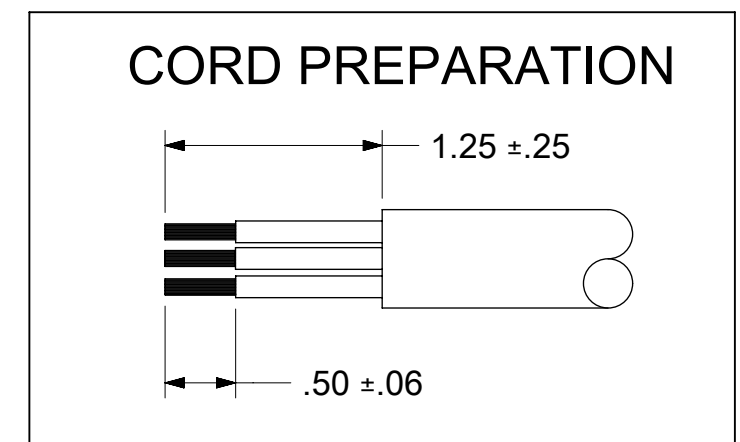


TECHNICAL

AGENCY APPROVAL: cULus
 RATED SUPPLY VOLTAGE: 120VAC
 RATED CURRENT: UP TO 20 AMPS
 RESET TYPE: SEE TABLE
 OPERATING FREQUENCY: 60 Hz
 TYPE: CLASS A
 GROUND TRIP CURRENT: 5mA +/- 1mA
 OVERLOAD CURRENT: 120 AMPS, 50% INDUCTIVE
 INSULATION VOLTAGE: 1,500 VRMS - 1 MINUTE
 ENDURANCE OPERATIONS: 3000 OPERATIONS
 ENCLOSURE: TYPE 4X, IP69, IP69K



AWG: #12-3 YELLOW
 TYPE: SJEOOW, 300V
 AGENCY APPROVAL: UL & CSA CERTIFIED OR cUL
 (BOTH SIDE - PRIMARY & SECONDARY)

MATERIAL NO.	ENGINEERING NO.	LENGTH "L"	LENGTH "A"	POWER-UP
1301530123	20052-1A	3.5 FT	1 FT ± 1 IN	AUTO
1301530132	20052-6A	8.5 FT	6 FT ± 1 IN	AUTO
1301530128	20052-25A	27.5 FT	25 FT ± 1 IN	AUTO
1301530126	20052-1M	3.5 FT	1 FT ± 1 IN	MANUAL
1301530134	20052-6M	8.5 FT	6 FT ± 1 IN	MANUAL
1301530130	20052-25M	27.5 FT	25 FT ± 1 IN	MANUAL

THIS DRAWING CONTAINS INFORMATION THAT IS PROPRIETARY TO MOLEX ELECTRONIC TECHNOLOGIES, LLC AND SHOULD NOT BE USED WITHOUT WRITTEN PERMISSION

FUNCTIONAL SYMBOLS	DIMENSION UNITS	SCALE	CURRENT REV DESC: REPLACED 20A INLINE GFCI
$\frac{F}{A} = 0$	INCH	NTS	
$\frac{E}{C} = 0$	GENERAL TOLERANCES (UNLESS SPECIFIED)		
$\frac{E}{P} = 0$	ANGULAR TOL ± °		
DIVISIONAL SYMBOLS	4 PLACES	±	EC NO: 678993
	3 PLACES	±	DRWN: VASUTHKARP 2021/09/07
	2 PLACES	±	CHK'D: DNGUYEN62 2022/12/16
	1 PLACE	±	APPR: HKNEELAND 2022/12/19
	0 PLACES	±	INITIAL REVISION:
			DRWN: MC 2005/12/06
			APPR:
DRAFT WHERE APPLICABLE MUST REMAIN WITHIN DIMENSIONS	THIRD ANGLE PROJECTION	DRAWING	SERIES
		C-SIZE	130153
DOCUMENT STATUS		DOC TYPE	DOC PART
P1	RELEASE DATE 2022/12/19 19:09:18	PSD	000
MATERIAL NUMBER		CUSTOMER	SHEET NUMBER
1301530130		GENERAL MARKET	1 OF 1



INLINE GFCI 20A, 120V
 W/ 14W33 & 15W33 WATERTITE NEMA 5-20

PRODUCT CUSTOMER DRAWING