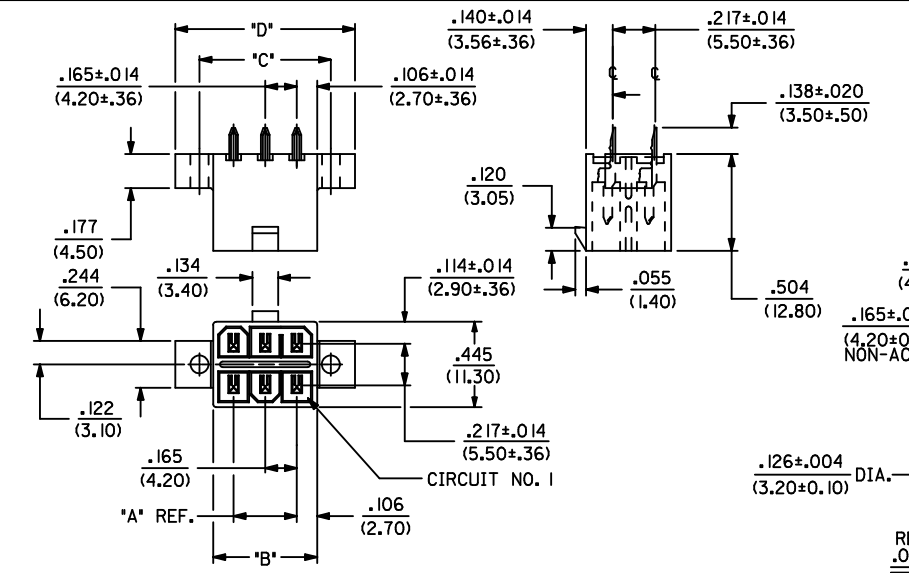
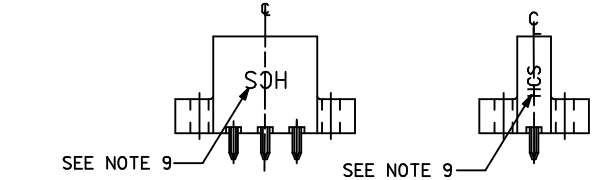


LETTER DIMENSIONS FOR ASSEMBLIES WITH FLANGES				
CKT. SIZE	DIM. "A"	DIM. "B"	DIM. "C"	DIM. "D"
2	—	.213 (5.40)	.354 (9.00)	.606 (15.40)
4	.165 (4.20)	.378 (9.60)	.520 (13.20)	.772 (19.60)
6	.331 (8.40)	.543 (13.80)	.685 (17.40)	.937 (23.80)
8	.496 (12.60)	.709 (18.00)	.850 (21.60)	1.102 (28.00)
10	.661 (16.80)	.874 (22.20)	1.016 (25.80)	1.268 (32.20)
12	.827 (21.00)	1.039 (26.40)	1.181 (30.00)	1.433 (36.40)
14	.992 (25.20)	1.205 (30.60)	1.346 (34.20)	1.598 (40.60)
16	1.157 (29.40)	1.370 (34.80)	1.512 (38.40)	1.764 (44.80)
18	1.520 (38.60)	1.732 (44.00)	1.874 (47.60)	2.126 (54.00)
20	1.685 (42.80)	1.898 (48.20)	2.039 (51.80)	2.291 (58.20)
22	1.850 (47.00)	2.063 (52.40)	2.205 (56.00)	2.457 (62.40)
24	2.016 (51.20)	2.228 (56.60)	2.370 (60.20)	2.622 (66.60)

FLANGE MOUNT
(SEE SHT. 2 FOR PARTS WITH PEGS)



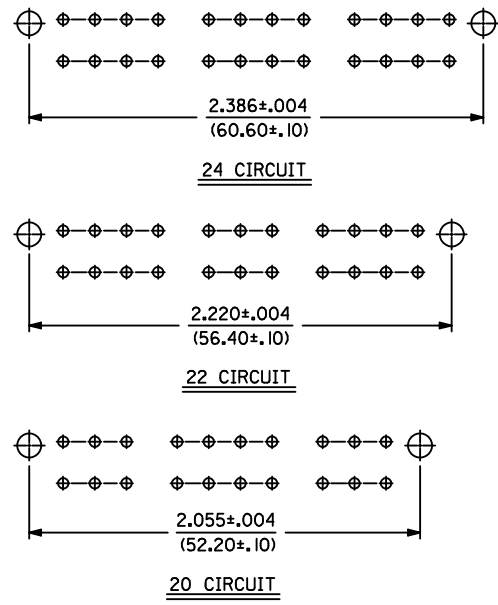
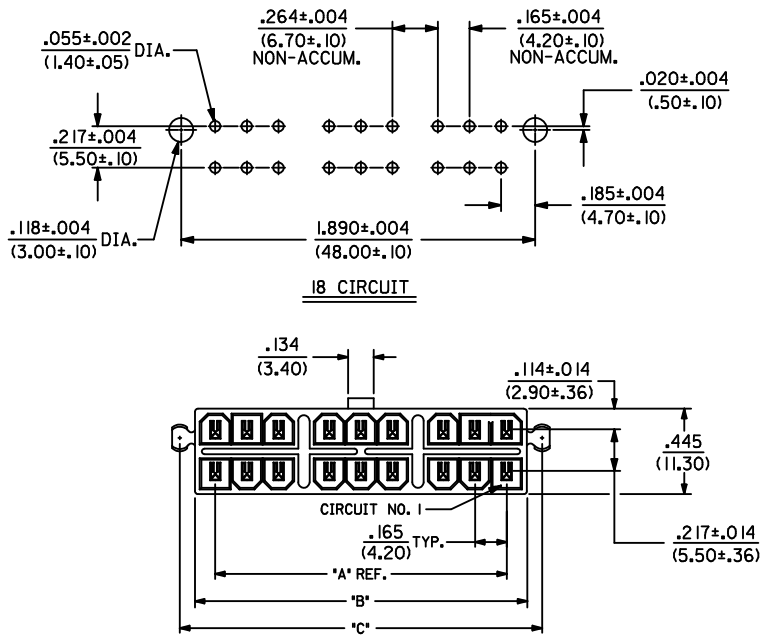
- NOTES:
- HOUSING MATERIAL: POLYESTER, UNFILLED, 94V-0. COLOR: BLACK.
TERMINAL MATERIAL: COPPER ALLOY
 - PLATINGS:
1 = .000100/0.00254 MIN. BRIGHT TIN OVER
.000050/0.00127 MIN. NICKEL.
 - PRODUCT SPECIFICATION: PS-44476-001.
 - PACKAGING SPECIFICATION: PK-30069-001.
 - PART MATES WITH RECEPTACLE 30067-*
 - PART IS DESIGNED FOR USE WITH #4-40 OR M3 SELF TAPPING SCREW.
 - CONNECTOR ASSEMBLIES ARE NOT TO BE MATED OR UNMATED WHILE CIRCUITS ARE LIVE.
 - ITEM NUMBERS PRECEDED BY AN "X" IN THE CHART ON SHEET 3 ARE NOT AVAILABLE.
 - PARTS WILL HAVE "HCS" MARKING.
 - PART CONFORMS TO CLASS "B" REQUIREMENTS OF COSMETIC SPECIFICATION PS-45499-002.



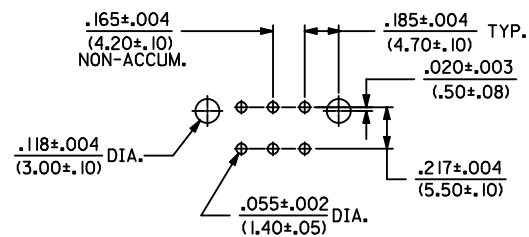
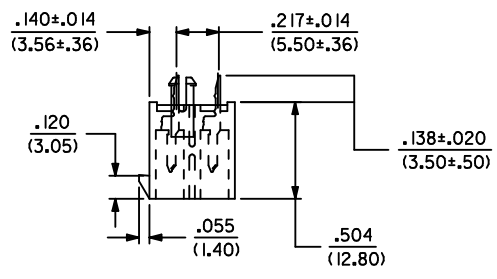
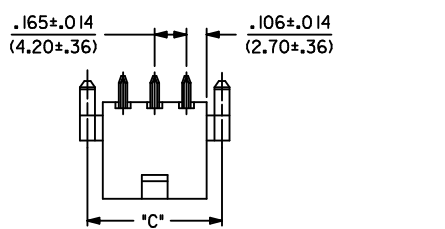
'HCS' ORIENTATION ON 2 CKT. PARTS

RECOMMENDED HOLE LAYOUT FOR
.070/(1.78) MAX. THICK P.C. BOARD

REVISED DRAWING REFERENCE EC NO: UCP2010-2129 DRWNG: JAGUILAR 2010/03/04 CHKD: JIBELL 2010/03/04 APPR: FSMITH 2010/04/14	QUALITY SYMBOLS ∇=0 ∇=0 ∇=0	GENERAL TOLERANCES (UNLESS SPECIFIED) <table border="1"> <thead> <tr> <th></th> <th>mm</th> <th>INCH</th> </tr> </thead> <tbody> <tr> <td>4 PLACES</td> <td>± .005</td> <td>± .0005</td> </tr> <tr> <td>3 PLACES</td> <td>± .010</td> <td>± .0010</td> </tr> <tr> <td>2 PLACES</td> <td>± .025</td> <td>± .0014</td> </tr> <tr> <td>1 PLACE</td> <td>± 0.36</td> <td>± .014</td> </tr> </tbody> </table>		mm	INCH	4 PLACES	± .005	± .0005	3 PLACES	± .010	± .0010	2 PLACES	± .025	± .0014	1 PLACE	± 0.36	± .014	DIMENSION STYLE IN/MM	SCALE 2:1	DESIGN UNITS METRIC	THIRD ANGLE PROJECTION
		mm	INCH																		
	4 PLACES	± .005	± .0005																		
	3 PLACES	± .010	± .0010																		
2 PLACES	± .025	± .0014																			
1 PLACE	± 0.36	± .014																			
DESCRIPTION C1	APPROVED BY FSMITH	DATE 8/12/1994	TITLE T.P.A. VERT. HDR. ASS'Y FLANGES & PEGS, MINI-FIT HCS SERIES	MOLEX INCORPORATED	DOCUMENT NO. SDA-44473-****	SHEET NO. 1 OF 3															
DRAFT WHERE APPLICABLE MUST REMAIN WITHIN DIMENSIONS	SEE SHT. 3	THIS DRAWING CONTAINS INFORMATION THAT IS PROPRIETARY TO MOLEX INCORPORATED AND SHOULD NOT BE USED WITHOUT WRITTEN PERMISSION																			



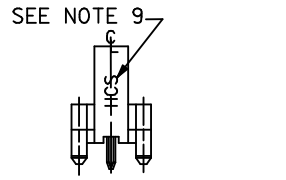
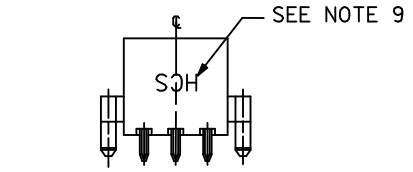
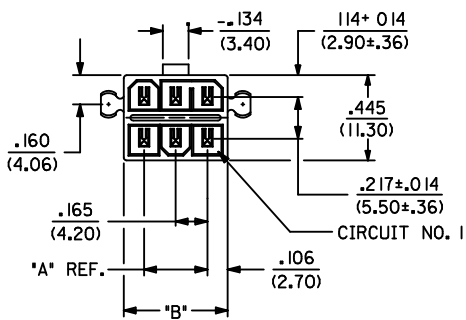
LETTER DIMENSIONS FOR ASSEMBLIES WITH PEGS			
CKT. SIZE	DIM. "A"	DIM. "B"	DIM. "C"
2	—	.213 (5.40)	.370 (9.40)
4	.165 (4.20)	.378 (9.60)	.535 (13.60)
6	.331 (8.40)	.543 (13.80)	.701 (17.80)
8	.496 (12.60)	.709 (18.00)	.866 (22.00)
10	.661 (16.80)	.874 (22.20)	1.031 (26.20)
12	.827 (21.00)	1.039 (26.40)	1.197 (30.40)
14	.992 (25.20)	1.205 (30.60)	1.362 (34.60)
16	1.157 (29.40)	1.370 (34.80)	1.528 (38.80)
18	1.520 (38.60)	1.732 (44.00)	1.890 (48.00)
20	1.685 (42.80)	1.898 (48.20)	2.055 (52.20)
22	1.850 (47.00)	2.063 (52.40)	2.220 (56.40)
24	2.016 (51.20)	2.228 (56.60)	2.386 (60.60)



RECOMMENDED HOLE LAYOUT FOR .070/(1.78) MAX. THICK P.C. BOARD

LEGEND

- 44473 - ** **
- BASE NO. _____
- CKT. SIZE (02-24) _____
- HOUSING OPTIONS:
 - 1 = FLANGES
 - 3 = PEGS
- PLATING:
 - 1 = TIN OVER NICKEL



'HCS' ORIENTATION ON 2 CKT. PARTS

RMD DRAIN HOLE OPTION	QUALITY SYMBOLS
EC NO: UCP2010-2129	▽=0
DRWNG: JAGUILAR 2010/03/04	▽=0
CHKD: JEBEL 2010/03/04	▽=0
APPR: FSMITH 2010/04/14	

GENERAL TOLERANCES (UNLESS SPECIFIED)	
mm	INCH
4 PLACES ± .010	± .010
3 PLACES ± .010	± .010
2 PLACES ± .025	± .014
1 PLACE ± 0.36	± .014
ANGULAR ± 1/2°	
DRAFT WHERE APPLICABLE MUST REMAIN WITHIN DIMENSIONS	

DIMENSION STYLE	
IN/MM	
DRAWN BY	DATE
GEP	8/15/1994
CHECKED BY	DATE
RJF	8/15/1994
APPROVED BY	DATE
FSM	8/15/1994
MATERIAL NO.	
SEE SHT. 3	

SCALE	DESIGN UNITS	THIRD ANGLE PROJECTION
2:1	METRIC	
TITLE		
T.P.A VERT HDR ASS'Y FLANGES & PEGS MINI-FIT H.C.S SERIES		
MOLEX INCORPORATED		
DOCUMENT NO.	SHEET NO.	
SDA-44473-****	2 OF 3	
THIS DRAWING CONTAINS INFORMATION THAT IS PROPRIETARY TO MOLEX INCORPORATED AND SHOULD NOT BE USED WITHOUT WRITTEN PERMISSION		

13			12			11			10			9			8			7			6			5			4			3			2			1								
WITH FLANGES, NO DRAIN HOLES			WITH PEGS, NO DRAIN HOLES			WITH FLANGES, NO DRAIN HOLES			WITH PEGS, NO DRAIN HOLES			WITH FLANGES, NO DRAIN HOLES			WITH PEGS, NO DRAIN HOLES			WITH FLANGES, NO DRAIN HOLES			WITH PEGS, NO DRAIN HOLES			WITH FLANGES, NO DRAIN HOLES			WITH PEGS, NO DRAIN HOLES			WITH FLANGES, NO DRAIN HOLES			WITH PEGS, NO DRAIN HOLES			WITH FLANGES, NO DRAIN HOLES			WITH PEGS, NO DRAIN HOLES					
CKT. SIZE	ITEM NO.	PLATING SEE NOTE 6	CKT. SIZE	ITEM NO.	PLATING SEE NOTE 6	CKT. SIZE	ITEM NO.	PLATING SEE NOTE 6	CKT. SIZE	ITEM NO.	PLATING SEE NOTE 6	CKT. SIZE	ITEM NO.	PLATING SEE NOTE 6	CKT. SIZE	ITEM NO.	PLATING SEE NOTE 6	CKT. SIZE	ITEM NO.	PLATING SEE NOTE 6	CKT. SIZE	ITEM NO.	PLATING SEE NOTE 6	CKT. SIZE	ITEM NO.	PLATING SEE NOTE 6	CKT. SIZE	ITEM NO.	PLATING SEE NOTE 6	CKT. SIZE	ITEM NO.	PLATING SEE NOTE 6	CKT. SIZE	ITEM NO.	PLATING SEE NOTE 6									
2	44473-0211	I	2	44473-0231	I	2			2			2			2			2			2			2			2			2			2			2			2					
4	44473-0411	↑	4	44473-0431	↑	4			4			4			4			4			4			4			4			4			4			4			4			4		
6	44473-0611		6	44473-0631		6			6			6			6			6			6			6			6			6			6			6			6			6		
8	44473-0811		8	44473-0831		8			8			8			8			8			8			8			8			8			8			8			8			8		
10	44473-1011		10	44473-1031		10			10			10			10			10			10			10			10			10			10			10			10			10		
12	44473-1211		12	44473-1231		12			12			12			12			12			12			12			12			12			12			12			12			12		
14	X 44473-1411		14	X 44473-1431		14			14			14			14			14			14			14			14			14			14			14			14			14		
16	44473-1611		16	X 44473-1631		16			16			16			16			16			16			16			16			16			16			16			16			16		
18	X 44473-1811		18	X 44473-1831		18			18			18			18			18			18			18			18			18			18			18			18			18		
20	X 44473-2011		20	X 44473-2031		20			20			20			20			20			20			20			20			20			20			20			20			20		
22	X 44473-2211	↓	22	X 44473-2231	↓	22			22			22			22			22			22			22			22			22			22			22			22			22		
24	X 44473-2411	I	24	X 44473-2431	I	24			24			24			24			24			24			24			24			24			24			24			24			24		

SEE NOTE 8

REMOVED DRAIN HOLES EC NO: UCP2010-2129 DRWN: JAGUILAR 2010/03/04 CHKD: J BELL 2010/03/04 APPR: FSMITH 2010/04/14 DESCRIPTION REV C1	QUALITY SYMBOLS	GENERAL TOLERANCES (UNLESS SPECIFIED)	DIMENSION STYLE	SCALE	DESIGN UNITS	THIRD ANGLE PROJECTION
	▽=0	mm INCH	IN/MM	1:1	METRIC	
	▽=0	4 PLACES ± --- ± ---	DRAWN BY DATE	TITLE		
	▽=0	3 PLACES ± --- ± ---	GEP 8/15/1994	T.P.A. VERT. HDR. ASS'Y		
	2 PLACES ± --- ± ---	CHECKED BY DATE	FLANGES & PEGS			
	1 PLACE ± --- ± ---	RJF 8/15/1994	MINI-FIT H.C.S. SERIES			
	ANGULAR ±1/2°	APPROVED BY DATE	MOLEX INCORPORATED			
	DRAFT WHERE APPLICABLE MUST REMAIN WITHIN DIMENSIONS	FSMIRHF 8/12/2010	MATERIAL NO. SEE CHART			
			DOCUMENT NO. SDA-44473-****			
			SHEET NO. 3 OF 3			
			THIS DRAWING CONTAINS INFORMATION THAT IS PROPRIETARY TO MOLEX INCORPORATED AND SHOULD NOT BE USED WITHOUT WRITTEN PERMISSION			