

MATERIALS AND FINISHES:

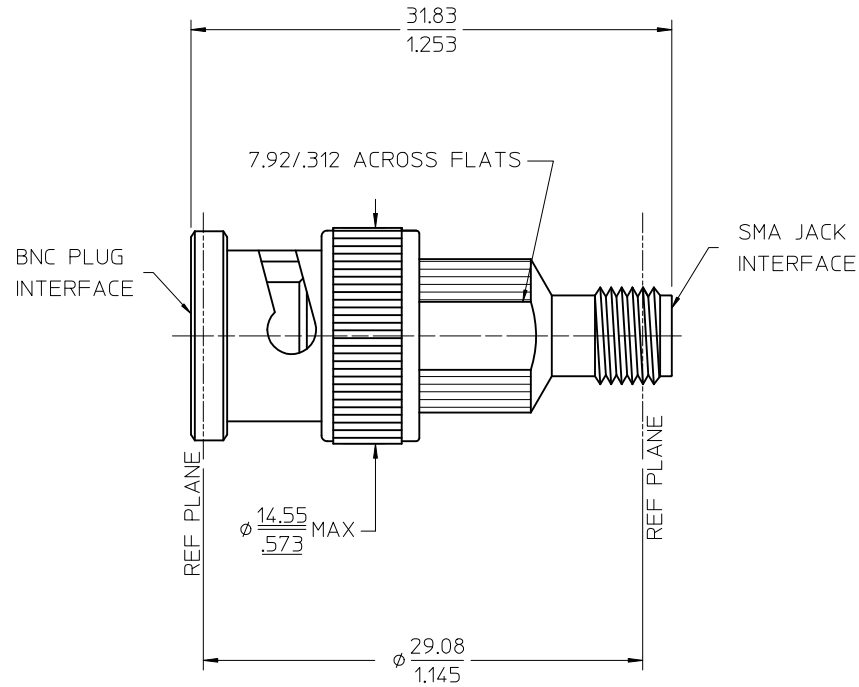
BODY STAINLESS STEEL
PASSIVATED

BNC COUPLING NUT BRASS
PLATED NICKEL

CENTER CONTACT BERYLLIUM COPPER
PLATED GOLD

INSULATOR TEFLON

SPRING WASHER BERYLLIUM COPPER



73386-0032	TRAY
73386-0031	ONE PER BAG
PART NO.	FINISH

PS-89675-2700	ELECTRICAL/MECHANICAL
SPECIFICATION	DESCRIPTION

CHG: ADD -0031 EC NO: URF2011-0612 DRWN: JWIENER 2011/04/18 CHKD: SSS 2011/04/18 APPR: JWIENER 2011/04/18 A1	DESCRIPTION REV	QUALITY SYMBOLS ▼=0 ▽=0	GENERAL TOLERANCES (UNLESS SPECIFIED) <table border="1"> <thead> <tr> <th></th> <th>mm</th> <th>INCH</th> </tr> </thead> <tbody> <tr> <td>4 PLACES</td> <td>± .005</td> <td>± .0004</td> </tr> <tr> <td>3 PLACES</td> <td>± .008</td> <td>± .0003</td> </tr> <tr> <td>2 PLACES</td> <td>± .015</td> <td>± .0002</td> </tr> <tr> <td>1 PLACE</td> <td>± .030</td> <td>± .0012</td> </tr> </tbody> </table> ANGULAR ±1/2°		mm	INCH	4 PLACES	± .005	± .0004	3 PLACES	± .008	± .0003	2 PLACES	± .015	± .0002	1 PLACE	± .030	± .0012	DIMENSION STYLE MM/IN	SCALE METRIC	DESIGN UNITS METRIC	THIRD ANGLE PROJECTION
			mm	INCH																		
4 PLACES	± .005	± .0004																				
3 PLACES	± .008	± .0003																				
2 PLACES	± .015	± .0002																				
1 PLACE	± .030	± .0012																				
DRAWN BY EDC	DATE 1997/12/29	CHECKED BY DHG	DATE 1998/01/05	APPROVED BY DATE 1997/12/29	MATERIAL NO. SEE TABLE	DOCUMENT NO. SD-73386-003	SHEET NO. 1 OF 1															

TITLE
SMA JACK TO BNC PLUG
BSA 50 OHM
BSA-BNC/SMA EWR-2256
MOLEX INCORPORATED

DRAFT WHERE APPLICABLE MUST REMAIN WITHIN DIMENSIONS
 THIS DRAWING CONTAINS INFORMATION THAT IS PROPRIETARY TO MOLEX INCORPORATED AND SHOULD NOT BE USED WITHOUT WRITTEN PERMISSION