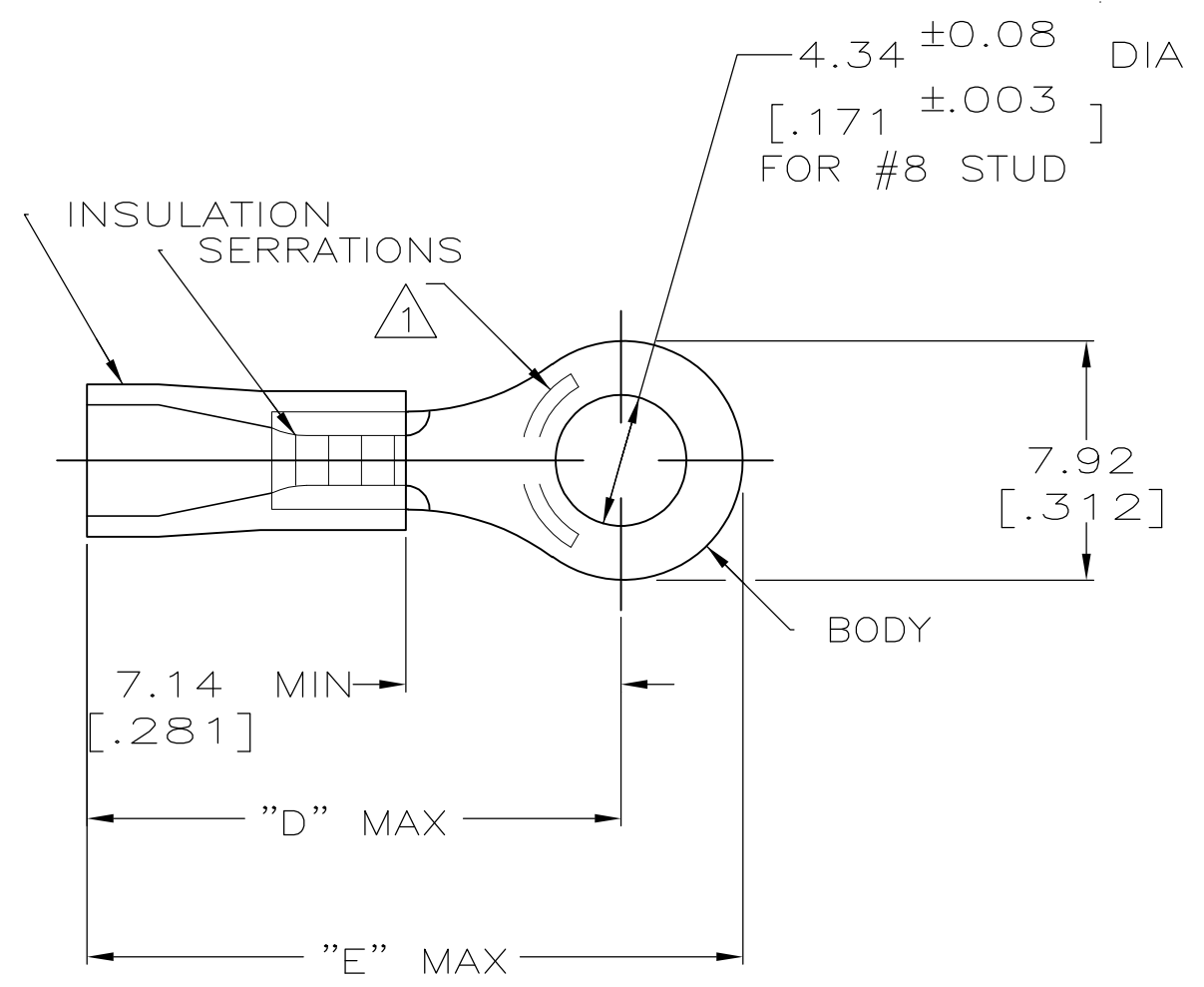


THIS DRAWING IS UNPUBLISHED. RELEASED FOR PUBLICATION
 © COPYRIGHT - By - ALL RIGHTS RESERVED.

LOC	DIST	REVISIONS					
		P	LTR	DESCRIPTION	DATE	DWN	APVD
G	14						
			S1	REVISED PER ECO-11-004587	11MAR11	RK	HMR

AMP WIRE RANGE	Listed FILE E13288	LR7189 Certified
22-16 AWG SOLID OR STRANDED	22-16 AWG SOLID OR STRANDED	22-16 AWG SOLID OR STRANDED



- △1 STAMP AMP 22-18* 1-2 APPROX AS SHOWN
22-16 TERMINALS ARE STAMPED 22-18 IN
ACCORDANCE WITH MILITARY SPEC MIL-T-7928
COMMERCIAL WIRE RANGE IS 22-16
- 2 TONGUE MATERIAL THK: 0.79^{±0.05} [.031^{±.002}]
- △3 MATERIAL: BODY - CU PER ASTM B152
SLEEVE - PVC, COLOR - RED

21.74[.856]	17.70[.697]	2.67-3.56[.105-.140]	100	LOOSE PC, BOX	8-34148-1
22.99[.905]	18.95[.746]	2.67-5.08[.105-.200]	5000	ON TAPE, REEL	2-34148-4
21.74 [.856]	17.70 [.697]	2.67-3.56 [.105-.140]	5000	ON TAPE, REEL	2-34148-1
			1000	LOOSE PIECE	34148
"E"	"D"	WIRE INSULATION DIA	QTY	PACKAGE TYPE	PART NUMBER

**AMP INCORPORATED
CUSTOMER SERVICE SYSTEMS**

FOR ADDITIONAL PRODUCT INFORMATION OR COPIES OF DRAWINGS AND TECHNICAL DOCUMENTS
 PRODUCT INFORMATION CENTER
 1-800-522-6752

FOR APPLICATION TOOLING ASSISTANCE CENTER
 TOOLING INFORMATION
 1-800-722-1111

FOR ORDER ENTRY
 1-800-526-5142

MAX RECOMMENDED OPERATING TEMPERATURE:
105°C [221°F]

VOLTAGE RATING:
600V MAX
(1000V FIXTURE OR SIGN)

CIRCULAR MIL AREA:
0.26-1.65mm²[509-3260]
SOLID OR STRANDED

THIS DRAWING IS A CONTROLLED DOCUMENT.

DIMENSIONS:
MM [INCHES]

TOLERANCES UNLESS OTHERWISE SPECIFIED:
 0 PLC ± -
 1 PLC ± -
 2 PLC ± 0.20[.008]
 3 PLC ± -
 4 PLC ± -
 ANGLES ± -

MATERIAL
 TIN PER ASTM B545

DWN DK SCHRUM 08/06/92
 CHK RE HERSEY 11/10/92
 APVD M BARNABA 11/10/92
 PRODUCT SPEC
 UL 486A
 APPLICATION SPEC

STE TE Connectivity

NAME
 TERMINAL, RING TONGUE,
 PLASTI-GRIP
 WIRE SIZE, 22-16 AWG

SIZE A3 CAGE CODE 00779 DRAWING NO C-34148 RESTRICTED TO -

WEIGHT -

CUSTOMER DRAWING SCALE 4:1 SHEET 1 OF 1 REV S1