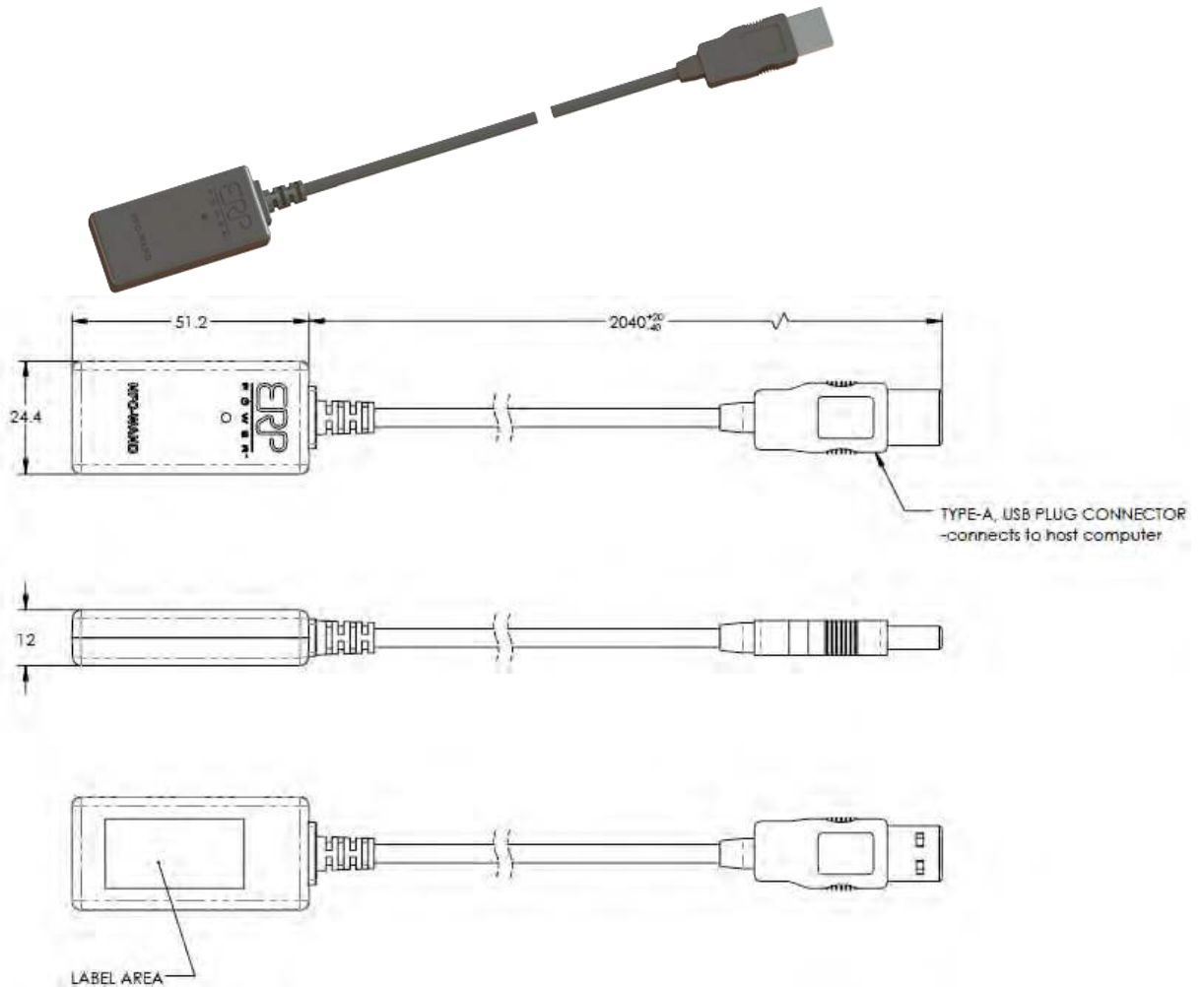


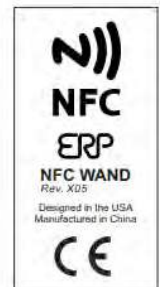
NFC Wand for use with ERP Programmable LED Drivers



APPLICATIONS

- For use with ERP programmable drivers using NFC programming: CNB, VZM, DAL series
- Order using part number NFC_WAND

LABEL



CHINA Operations

tel: +86-756-6266298
No. 8 Pingdong Road 2
Zhuhai, Guangdong, China 519060

www.erp-power.com

SaveEnergy@erp-power.com

USA Headquarters

tel: +1-805-517-1300
893 Patriot Drive, Suite E
Moorpark, CA 93021, USA