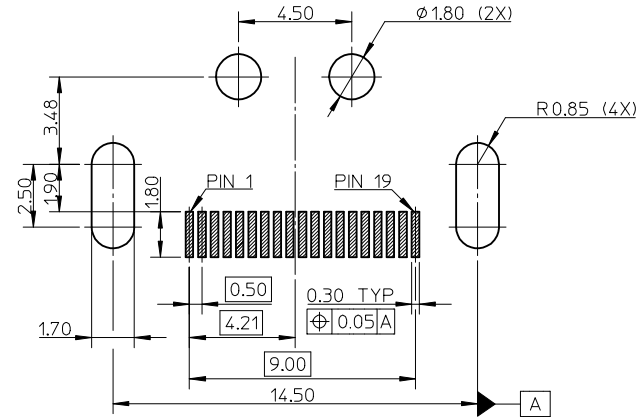
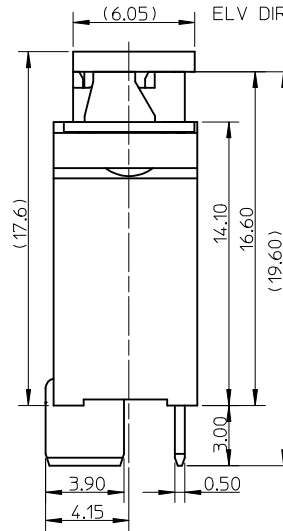
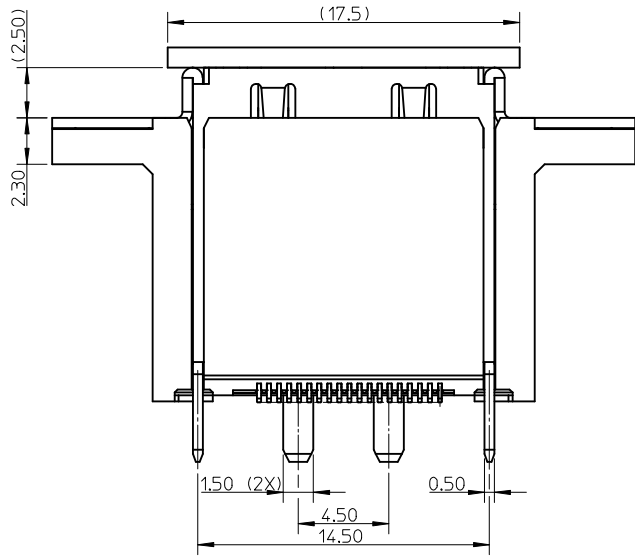
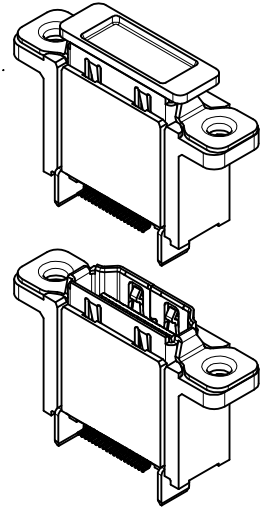
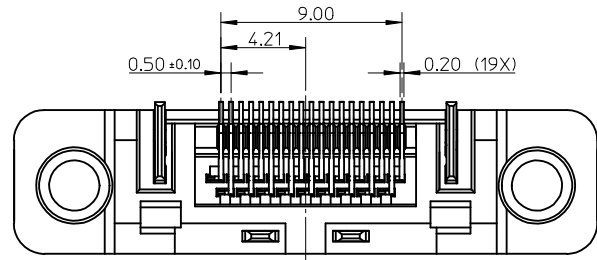


NOTES:

1. MATERIAL:  
HOUSING/COVER: HIGH TEMPERATURE THERMAL PLASTIC,UL 94V-0. COLOR: BLACK.  
SHELL: COPPER ALLOY.  
TERMINAL: COPPER ALLOY.
2. PLATING:  
TERMINAL:  
CONTACT AREA: PLATING SPEC REFER TO REMARK IN CHART.  
SOLDER AREA: 1 MICROMETER MIN. TIN-BISMUTH ALLOY PLATED.  
UNDER PLATE: 1.27 MICROMETER MIN. NICKEL.  
SHELL: 3 MICROMETER MIN. MATTE TIN PLATE OVERALL.
3. COPLANARITY: 0.10mm MAX .
4. PRODUCT SPECIFICATION REFER TO PS-47632-001.
5. PACKAGE SPECIFICATION REFER TO PK-47632-002.
6. PRODUCT COMPLIANT TO RoHS DIRECTIVE 2002/95/EC AND ELV DIRECTIVE 2000/53/EC.



RECOMMENDED PCB LAYOUT  
CONNECTOR SIDE  
THICKNESS=1.60mm  
(GENERAL TOLERANCE: ±0.05)



P/N	CONTACT PLATING SPEC
47632-2000	GOLD 0.38 MICROMETER MIN.
47632-2100	GOLD FLASH

D2	F3-Add UL grade to complete material info.	25.Jun.2013
D1	A8-Gold plating thk 0.3u update to 0.38u (typo error)	28.Jan.2013
REV NO	DESCRIPTION	DATE

REV	DESCRIPTION
D2	REVISED

QUALITY SYMBOLS	
▽=0	
▽=0	

GENERAL TOLERANCES (UNLESS SPECIFIED)	
mm	INCH
4 PLACES ± ---	± ---
3 PLACES ± ---	± ---
2 PLACES ± 0.15	± ---
1 PLACE ± 0.25	± ---
ANGULAR ± 1 °	

DIMENSION STYLE	SCALE	DESIGN UNITS	THIRD ANGLE PROJECTION
MM ONLY	4:1	METRIC	THIRD ANGLE PROJECTION
DRAWN BY	DATE	TITLE	
CHEN BO	2007/10/18	HDMI RECEPTACLE VERTICAL SMT TYPE WITH FLANGE	
CHECKED BY	DATE	MOLEX INCORPORATED	
JOHNSON	2007/10/18	SD-47632-200	
APPROVED BY	DATE	SHEET NO.	
HARVEY	2007/10/18	1 OF 1	
MATERIAL NO.	DOCUMENT NO.	THIS DRAWING CONTAINS INFORMATION THAT IS PROPRIETARY TO MOLEX INCORPORATED AND SHOULD NOT BE USED WITHOUT WRITTEN PERMISSION	
SEE CHART			