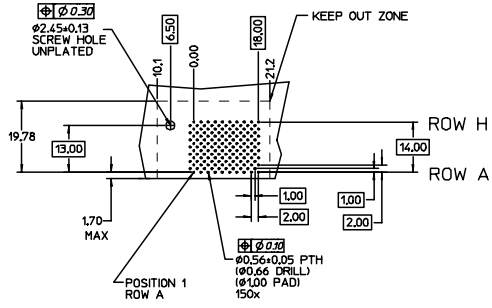
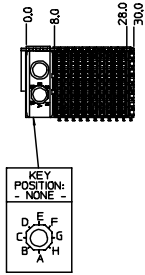
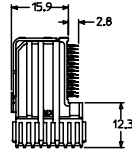
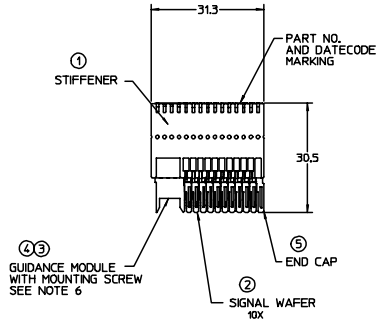


CUSTOMER: TEKELEC



DAUGHTERCARD HOLE PATTERN  
(CONNECTOR SIDE)

NOTES: (UNLESS OTHERWISE SPECIFIED)

1. MATERIALS: HOUSING - LIQUID CRYSTAL POLYMER (LCP), GLASS-FILLED, UL94V-0, BLACK, TERMINALS - HIGH PERFORMANCE COPPER ALLOY, STIFFENER - STAINLESS STEEL.
2. FINISH: SELECTIVE GOLD (Au) IN CONTACT AREA, SELECTIVE TIN/LEAD (Sn/Pb) ON PCB TAILS, NICKEL (Ni) OVERALL.
3. REFER TO MOLEX PRODUCT SPECIFICATION PS-74031-999 FOR PERFORMANCE SPECIFICATIONS.
4. REFER TO MOLEX DOCUMENT SD-74041-002 FOR ADDITIONAL DETAIL ON THE SIGNAL WAFER.
5. REFER TO MOLEX DOCUMENT SD-74037-006 FOR ADDITIONAL DETAIL ON THE GUIDANCE MODULE.
6. MOUNTING SCREWS WILL BE BAGGED WITH EACH CONNECTOR.
7. PARTS ARE PACKAGED IN TUBES PER PK-70873-5041.

ITEM	PART NUMBER	DESCRIPTION	QTY
1	74046-0031	STIFFENER	1
2	74041-0001	SIGNAL WAFER	10
3	74037-0008	GUIDE MODULE	1
4	73726-0000	GUIDE MOUNTING SCREW	1
5	74038-1001	END CAP	1

INITIAL RELEASE EC NO: UCP2004-0035 DRWN: JONIAK 2003/07/11 CHKD: JLAURX 2003/07/11 APPR: SREED 2003/07/11	QUALITY SYMBOLS	GENERAL TOLERANCES (UNLESS SPECIFIED)	SCALE 1.5:1	DESIGN UNITS METRIC	THIRD ANGLE PROJECTION	REVISE ON CAD ONLY
	▽ 0	mm INCH	DIMENSION STYLE MM ONLY			
	▽ 0	4 PLACES ± --- ± --- 3 PLACES ± --- ± --- 2 PLACES ± --- ± --- 1 PLACE ± --- ± ---	DRAWN BY JONIAK DATE 03/06/30 CHECKED BY JLAURX DATE 03/06/30 APPROVED BY SREED DATE 03/06/30			
	DESCRIPTION	ANGULAR ±1/2°	MATERIAL NO. SD-74040-899 DOCUMENT NO. SD-74040-899 SHEET NO. 1 OF 1			
DRAFT WHERE APPLICABLE		MUST REMAIN WITHIN DIMENSIONS		THIS DRAWING CONTAINS INFORMATION THAT IS PROPRIETARY TO MOLEX INCORPORATED AND SHOULD NOT BE USED WITHOUT WRITTEN PERMISSION		