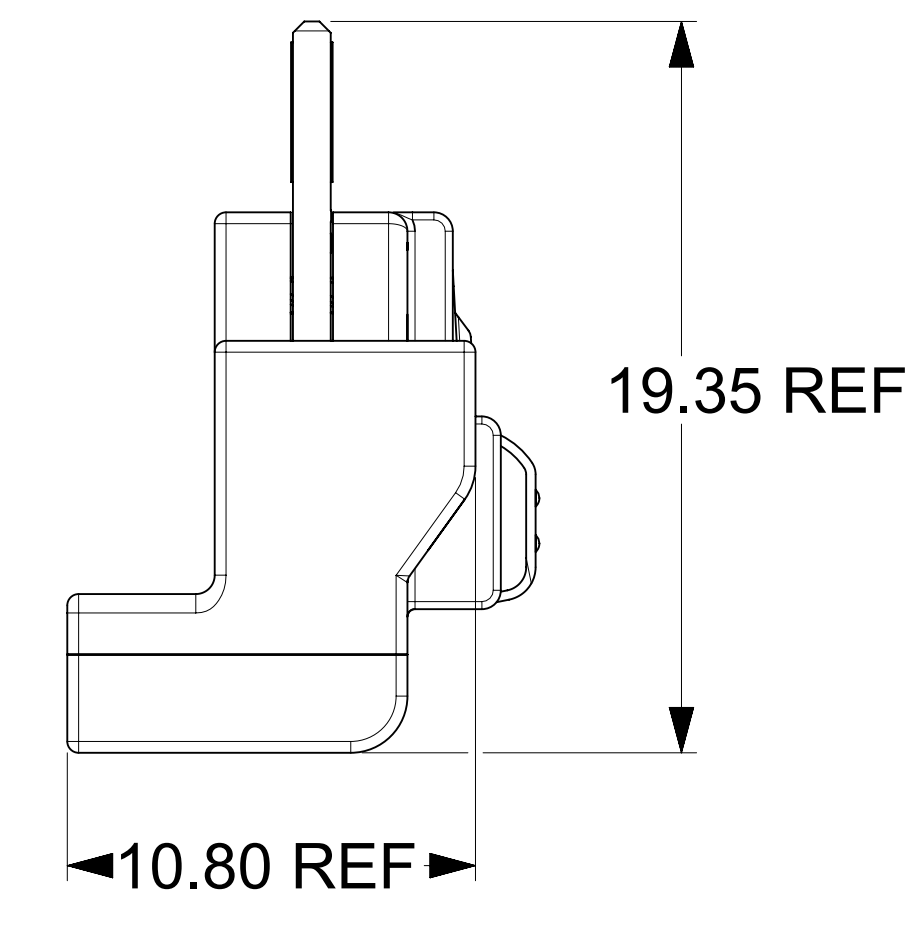
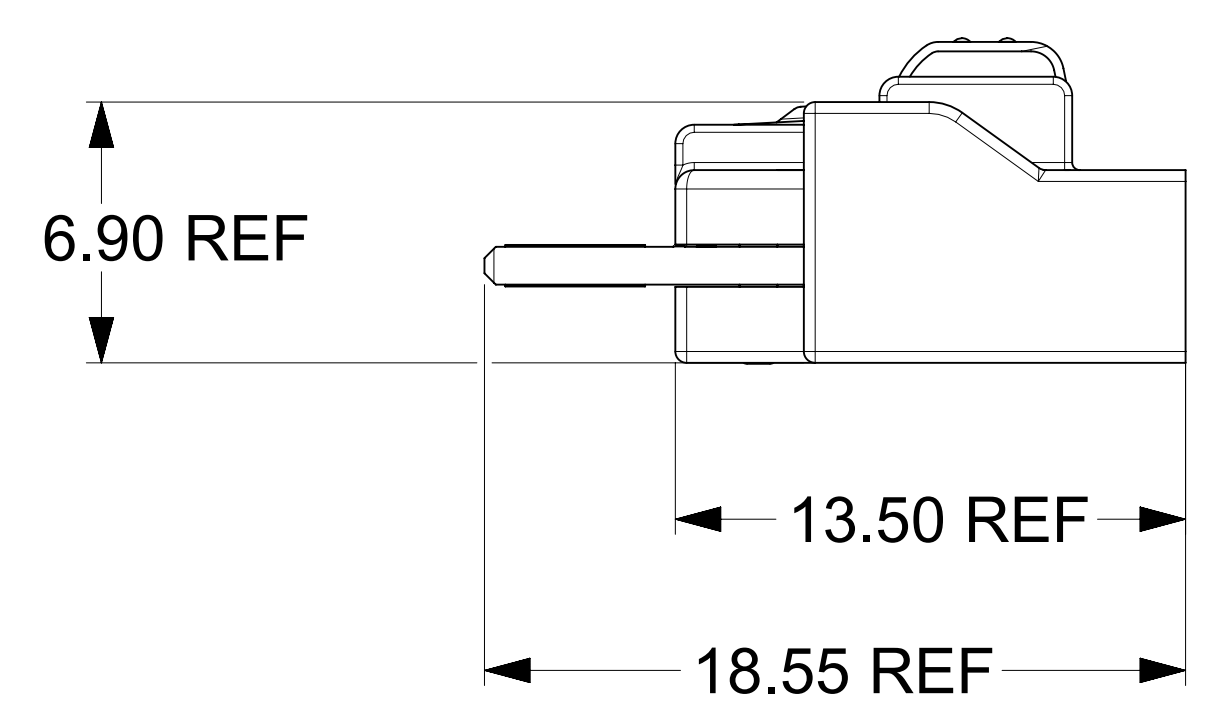


EXPANDO
ACTATE TAPE
LABEL
(SEE SHEET 2 FOR LABEL DETAIL)



MOLEX P/N	LENGTH	TOLERANCE (mm)	AWG	IMPEDANCE	EE SPEC	LABEL CONTEXT
2079911000	152mm	±10	32	100 OHMS	SAS 4.0	SAS4.0 100 Ohm
2079911001	300mm	±10	32	100 OHMS	SAS 4.0	SAS4.0 100 Ohm
2079911002	1000mm	±15	32	100 OHMS	SAS 4.0	SAS4.0 100 Ohm
2079911300	152mm	±10	32	100 OHMS	SAS 3.0	SAS3.0 100 Ohm
2079911301	300mm	±10	32	100 OHMS	SAS 3.0	SAS3.0 100 Ohm
2079911302	1000mm	±15	32	100 OHMS	SAS 3.0	SAS3.0 100 Ohm
2079931001	300mm	±10	32	85 OHMS	PCIe 4.0	PCIe4.0 85 Ohm
2079931002	1000mm	±15	32	85 OHMS	PCIe 4.0	PCIe4.0 85 Ohm

NOTES:
 1. MATERIAL:
 HOUSING - PC 94V-0 BLACK
 LATCH - STAINLESS STEEL
 EXPANDO - PET
 CABLE - SHIELD: ALUMINIZED POLYESTER FOIL
 - SIGNAL PAIR : SILVER OR TIN-COATED COPPER
 - DRAIN: TIN-COATED COPPER
 - CONFORMS TO VW1
 PCB - FR4 (HALOGEN FREE)
 2. THIS PRODUCT CONFORMS TO THE MECHANICAL DIMENSIONING OF SFF-8654
 3. RoHS COMPLIANT. NO EXEMPTIONS

THIS DRAWING CONTAINS INFORMATION THAT IS PROPRIETARY TO MOLEX ELECTRONIC TECHNOLOGIES, LLC AND SHOULD NOT BE USED WITHOUT WRITTEN PERMISSION

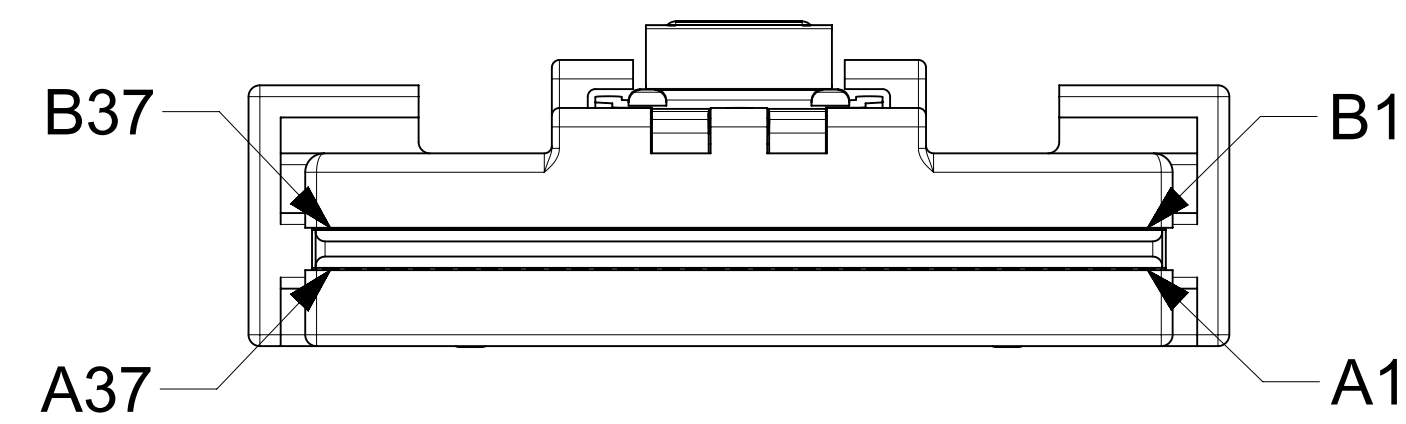
DIMENSION UNITS mm	SCALE 5:1	CURRENT REV DESC:	molex		
GENERAL TOLERANCES (UNLESS SPECIFIED)		EC NO: 750925			
ANGULAR TOL ± 3.0°	4 PLACES ±	DRWN: AMRUTH 2023/05/25	PRODUCT CUSTOMER DRAWING		
3 PLACES ± 0.2	2 PLACES ± 0.3	CHK'D: SMALLESHAPPA 2023/05/25	DOCUMENT NUMBER		
1 PLACE ± 0.4	0 PLACES ±	APPR: VPENG01 2023/05/25	2079911000		
INITIAL REVISION:		DRWN: LOU01 2018/06/28	DOC TYPE	DOC PART	REVISION
DRAFT WHERE APPLICABLE MUST REMAIN WITHIN DIMENSIONS		APPR: VPENG01 2018/08/13	PSD	000	C
THIRD ANGLE PROJECTION	DRAWING	SERIES	MATERIAL NUMBER	CUSTOMER	SHEET NUMBER
		D-SIZE 207991	SEE P/N TABLE	GENERAL MARKET	1 OF 3

PINOUT DIAGRAM

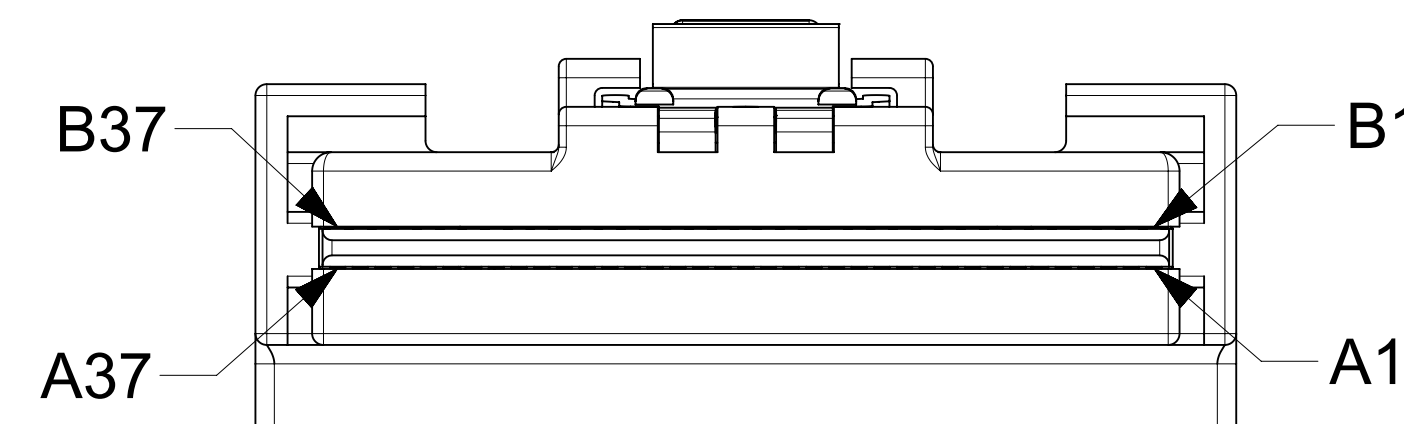
P1		SIGNAL TYPE	P2		P1		SIGNAL TYPE	P2	
GND	A1	—	B1	GND	GND	B1	—	A1	GND
RX0+	A2	←	B2	TX0+	TX0+	B2	→	A2	RX0+
RX0-	A3	←	B3	TX0-	TX0-	B3	→	A3	RX0-
GND	A4	—	B4	GND	GND	B4	—	A4	GND
RX1+	A5	←	B5	TX1+	TX1+	B5	→	A5	RX1+
RX1-	A6	←	B6	TX1-	TX1-	B6	→	A6	RX1-
GND	A7	—	B7	GND	GND	B7	—	A7	GND
SB	A8	↔	B8	SB	SB	B8	↔	A8	SB
SB	A9	↔	B9	SB	SB	B9	↔	A9	SB
SB	A10	↔	B10	SB	SB	B10	↔	A10	SB
SB	A11	↔	B11	SB	SB	B11	↔	A11	SB
SB	A12	↔	B12	SB	SB	B12	↔	A12	SB
GND	A13	—	B13	GND	GND	B13	—	A13	GND
RX2+	A14	←	B14	TX2+	TX2+	B14	→	A14	RX2+
RX2-	A15	←	B15	TX2-	TX2-	B15	→	A15	RX2-
GND	A16	—	B16	GND	GND	B16	—	A16	GND
RX3+	A17	←	B17	TX3+	TX3+	B17	→	A17	RX3+
RX3-	A18	←	B18	TX3-	TX3-	B18	→	A18	RX3-
GND	A19	—	B19	GND	GND	B19	—	A19	GND
RX4+	A20	←	B20	TX4+	TX4+	B20	→	A20	RX4+
RX4-	A21	←	B21	TX4-	TX4-	B21	→	A21	RX4-
GND	A22	—	B22	GND	GND	B22	—	A22	GND
RX5+	A23	←	B23	TX5+	TX5+	B23	→	A23	RX5+
RX5-	A24	←	B24	TX5-	TX5-	B24	→	A24	RX5-
GND	A25	—	B25	GND	GND	B25	—	A25	GND
SB	A26	↔	B26	SB	SB	B26	↔	A26	SB
SB	A27	↔	B27	SB	SB	B27	↔	A27	SB
SB	A28	↔	B28	SB	SB	B28	↔	A28	SB
SB	A29	↔	B29	SB	SB	B29	↔	A29	SB
SB	A30	↔	B30	SB	SB	B30	↔	A30	SB
GND	A31	—	B31	GND	GND	B31	—	A31	GND
RX6+	A32	←	B32	TX6+	TX6+	B32	→	A32	RX6+
RX6-	A33	←	B33	TX6-	TX6-	B33	→	A33	RX6-
GND	A34	—	B34	GND	GND	B34	—	A34	GND
RX7+	A35	←	B35	TX7+	TX7+	B35	→	A35	RX7+
RX7-	A36	←	B36	TX7-	TX7-	B36	→	A36	RX7-
GND	A37	—	B37	GND	GND	B37	—	A37	GND

→ = TRANSMIT TO RECEIVE ON HIGH SPEED CIRCUITS
 — = GND
 ↔ = SIDEBAND
 NOTE: ALL SIGNAL GROUND ARE BUSSED IN PCB.

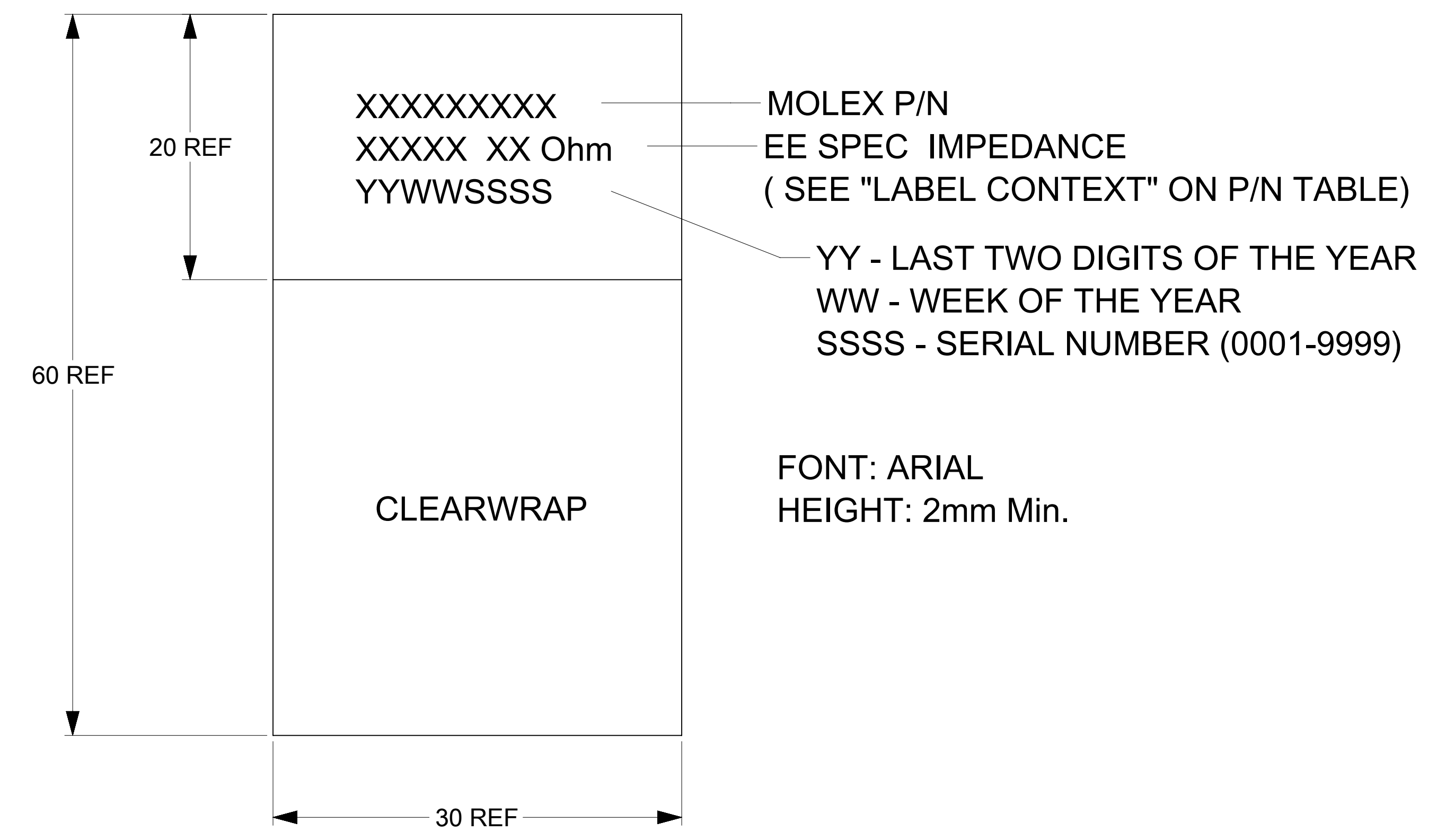
P1



P2



LABEL DETAIL



THIS DRAWING CONTAINS INFORMATION THAT IS PROPRIETARY TO MOLEX ELECTRONIC TECHNOLOGIES, LLC AND SHOULD NOT BE USED WITHOUT WRITTEN PERMISSION			
DIMENSION UNITS	SCALE	CURRENT REV DESC:	
mm	1:1		
GENERAL TOLERANCES (UNLESS SPECIFIED)		EC NO: 750925	
ANGULAR TOL	± 3.0°	DRWN: AMRUTH	2023/05/25
4 PLACES	±	CHK'D: SMALLESHAPPA	2023/05/25
3 PLACES	± 0.2	APPR: VPENG01	2023/05/25
2 PLACES	± 0.3	INITIAL REVISION:	
1 PLACE	± 0.4	DRWN: LOU01	2018/06/28
0 PLACES	±	APPR: VPENG01	2018/08/13
DRAFT WHERE APPLICABLE MUST REMAIN WITHIN DIMENSIONS		THIRD ANGLE PROJECTION	DRAWING
		⊕	D-SIZE
		⊕	SERIES
		⊕	MATERIAL NUMBER
		⊕	CUSTOMER
		⊕	SHEET NUMBER
DOCUMENT STATUS	P1	RELEASE DATE	2023/05/25 13:27:10
		2079911000	
		PSD	000
		C	
		SEE P/N TABLE	
		GENERAL MARKET	
		2 OF 3	



SLIMSAS 8X STR TO RAD CABLE ASSY.

PRODUCT CUSTOMER DRAWING

DOCUMENT NUMBER DOC TYPE DOC PART REVISION

2079911000

PSD 000 C

MATERIAL NUMBER CUSTOMER SHEET NUMBER

SEE P/N TABLE

GENERAL MARKET 2 OF 3

REVISION TABLE			
DATE	REV	DESCRIPTION	ENGINEER
2023/05/25	C	SHEET 01: UPDATED NOTE 1 TO "SIGNAL PAIR : SILVER OR TIN-COATED COPPER" SHEET 02: UPDATED LABEL NOTE TO "SSSS - SERIAL NUMBER (0001-9999)"	AMRUTH

THIS DRAWING CONTAINS INFORMATION THAT IS PROPRIETARY TO MOLEX ELECTRONIC TECHNOLOGIES, LLC AND SHOULD NOT BE USED WITHOUT WRITTEN PERMISSION									
DIMENSION UNITS	SCALE	CURRENT REV DESC:			molex				
mm	1:1								
GENERAL TOLERANCES (UNLESS SPECIFIED)					SLIMSAS 8X STR TO RAD CABLE ASSY.				
ANGULAR TOL	± 3.0°				PRODUCT CUSTOMER DRAWING				
4 PLACES	±	EC NO: 750925			DOCUMENT NUMBER				
3 PLACES	± 0.2	DRWN: AMRUTH 2023/05/25			2079911000		PSD	000	C
2 PLACES	± 0.3	CHK'D: SMALLESHAPPA 2023/05/25			REVISION				
1 PLACE	± 0.4	APPR: VPENG01 2023/05/25			3 OF 3				
0 PLACES	±	INITIAL REVISION:			SHEET NUMBER				
DRAFT WHERE APPLICABLE MUST REMAIN WITHIN DIMENSIONS		THIRD ANGLE PROJECTION		DRAWING	SERIES	MATERIAL NUMBER	CUSTOMER	SHEET NUMBER	
				D-SIZE	207991	2079911000	GENERAL MARKET	3 OF 3	