

High Frequency Ceramic Solutions

4.7GHz Band Pass Filter, EIA 0402, SMD, Low Loss and High Attenuation

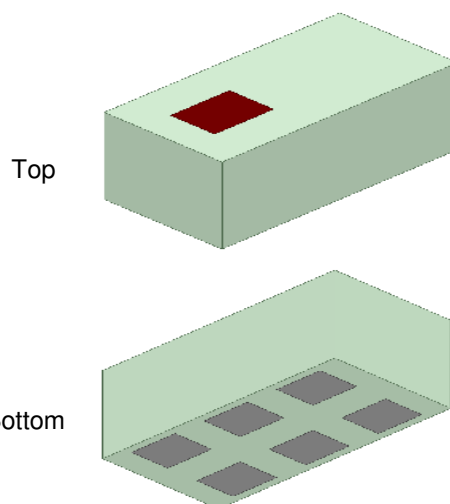
P/N 4700BP07B0600

Detail Specification: 9/8/2021

Page 1 of 4

General Specifications

Part Number	4700BP07B0600
Frequency (MHz)	4400 - 5000
Insertion loss (dB)	1.5 max.
Return Loss (dB)	10 min.
Attenuation (dB)	35 min. @600 - 960MHz 35 min. @1164 - 1300MHz 35 min. @1476 - 1511MHz 35 min. @1559 - 1610MHz 35 min. @1805 - 2200MHz 25 min. @2300 - 2690MHz 20 min. @3055 - 3490MHz 15 min. @8800 - 10000MHz 25 min. @13200 - 15000MHz 20 min. @17600 - 20000MHz
Power Capacity (W)	3 max. (CW)
Operating Temperature	-40 to +85°C
Reel Quantity (pcs/reel)	10,000



Recommended Storage Conditions and Period for unused Product on T&R	+5 to +35°C Humidity 45 - 75% RH 18 months max.
--	---

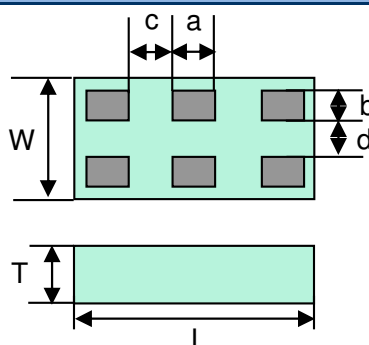
You can download measured s-parameters of this component at: <https://www.johansontechnology.com/band-pass-filters>

Part Number Explanation

P/N Suffix	Packaging Style	Bulk (loose pcs.)	Suffix = S	e.g. 4700BP07B0600S
		T & R	Suffix = T	e.g. 4700BP07B0600T
	Evaluation Board	50Ω SMA	Suffix = EB1SMA	e.g. 4700BP07B0600-EB1SMA

Mechanical Dimensions

	In	mm
L	0.039 ± 0.002	1.00 ± 0.05
W	0.020 ± 0.002	0.50 ± 0.05
T	0.014 max.	0.35 max.
a	0.007 ± 0.002	0.18 ± 0.05
b	0.005 ± 0.002	0.125 ± 0.05
c	0.007 ± 0.002	0.18 ± 0.05
d	0.006 ± 0.002	0.15 ± 0.05



Terminal Configuration

No.	Function	No.	Function
1	IN/OUT	4	NC
2	GND	5	GND
3	IN/OUT	6	NC

Johanson Technology, Inc. reserves the right to make design changes without notice.

All sales are subject to Johanson Technology, Inc. terms and conditions.



Ver. 1.0

<https://www.johansontechnology.com>

4001 Calle Tecate • Camarillo, CA 93012, USA • TEL +1.805.389.1166

2021 Johanson Technology, Inc. All Rights Reserved

High Frequency Ceramic Solutions

4.7GHz Band Pass Filter, EIA 0402, SMD, Low Loss and High Attenuation

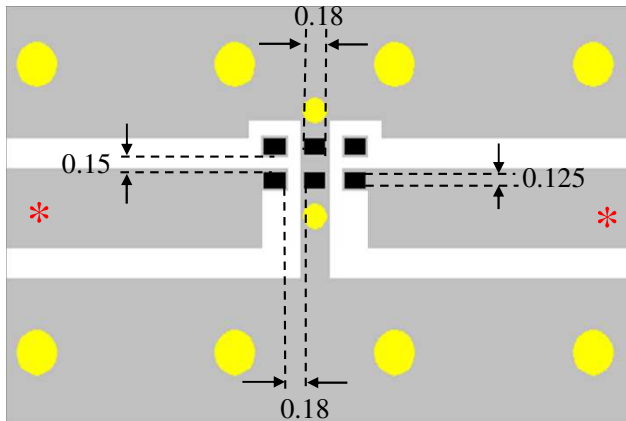
P/N 4700BP07B0600





Detail Specification: 9/8/2021

Page 2 of 4

Mounting Pad Dimensions

Units in mm

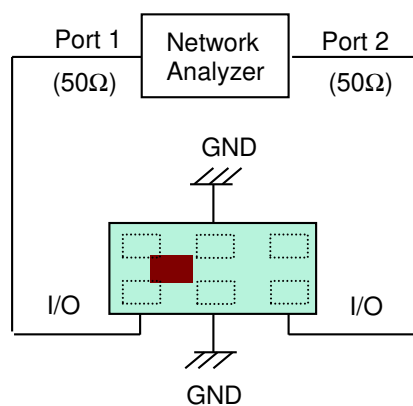


-  Solder Resist
-  Land
-  Through-hole (ϕ 0.35)
-  Through-hole (ϕ 0.2)

*Transmission line width should be designed to match 50 Ω characteristic impedance, depending on PCB material and thickness.

Would you like the layout? Send us a message at: <https://www.johansontechnology.com/ask-a-question>

Measurement Schematic



Port 1: Filter IN/OUT
Port 2: Filter IN/OUT

Johanson Technology, Inc. reserves the right to make design changes without notice.

All sales are subject to Johanson Technology, Inc. terms and conditions.



Ver. 1.0

<https://www.johansontechnology.com>

4001 Calle Tecate • Camarillo, CA 93012, USA • TEL +1.805.389.1166

2021 Johanson Technology, Inc. All Rights Reserved

High Frequency Ceramic Solutions

4.7GHz Band Pass Filter, EIA 0402, SMD, Low Loss and High Attenuation

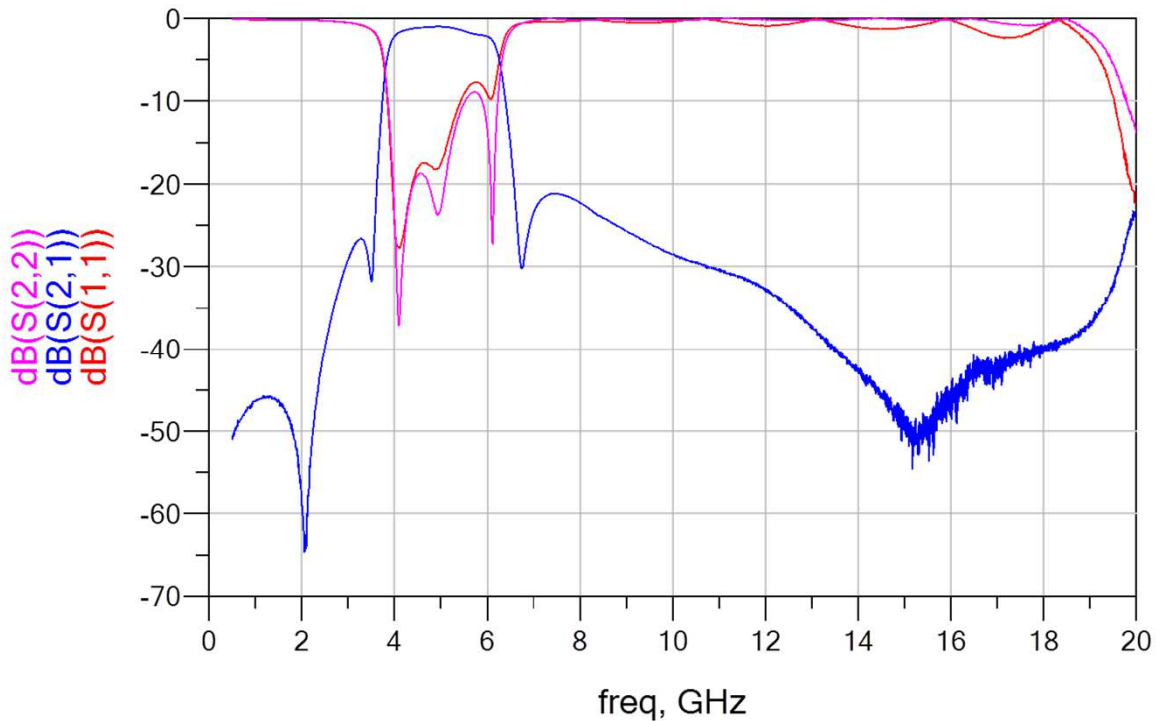
P/N 4700BP07B0600

Detail Specification: 9/8/2021

Page 3 of 4

Typical Electrical Characteristics (T=25°C)

Insertion Loss & Return loss



Do you need the S-parameter file of the above? Send us a message at:
<https://www.johansontechnology.com/ask-a-question>

Johanson Technology, Inc. reserves the right to make design changes without notice.

All sales are subject to Johanson Technology, Inc. terms and conditions.



Ver. 1.0

<https://www.johansontechnology.com>

4001 Calle Tecate • Camarillo, CA 93012, USA • TEL +1.805.389.1166

2021 Johanson Technology, Inc. All Rights Reserved

High Frequency Ceramic Solutions

4.7GHz Band Pass Filter, EIA 0402, SMD, Low Loss and High Attenuation

P/N 4700BP07B0600

Detail Specification: 9/8/2021

Page 4 of 4

Application Notes, Layout Files, and more

<https://www.johansontechnology.com/band-pass-filters>

Packaging information

<https://www.johansontechnology.com/tape-reel-packaging>

Soldering Information

<https://www.johansontechnology.com/ipcsoldering-profile>

MSL Info

<https://www.johansontechnology.com/msl-rating>

Recommended Storage Condition and Max Shelf Life

<https://www.johansontechnology.com/recommended-storage-conditions>

RoHS Compliance

<https://www.johansontechnology.com/rohs-compliance>

Antenna layout and tuning techniques

<https://www.johansontechnology.com/tuning>

Antenna layout review, tuning, and characterization services

<https://www.johansontechnology.com/ipc-antenna-services>

Johanson Technology, Inc. reserves the right to make design changes without notice.

All sales are subject to Johanson Technology, Inc. terms and conditions.



Ver. 1.0

<https://www.johansontechnology.com>

4001 Calle Tecate • Camarillo, CA 93012, USA • TEL +1.805.389.1166

2021 Johanson Technology, Inc. All Rights Reserved