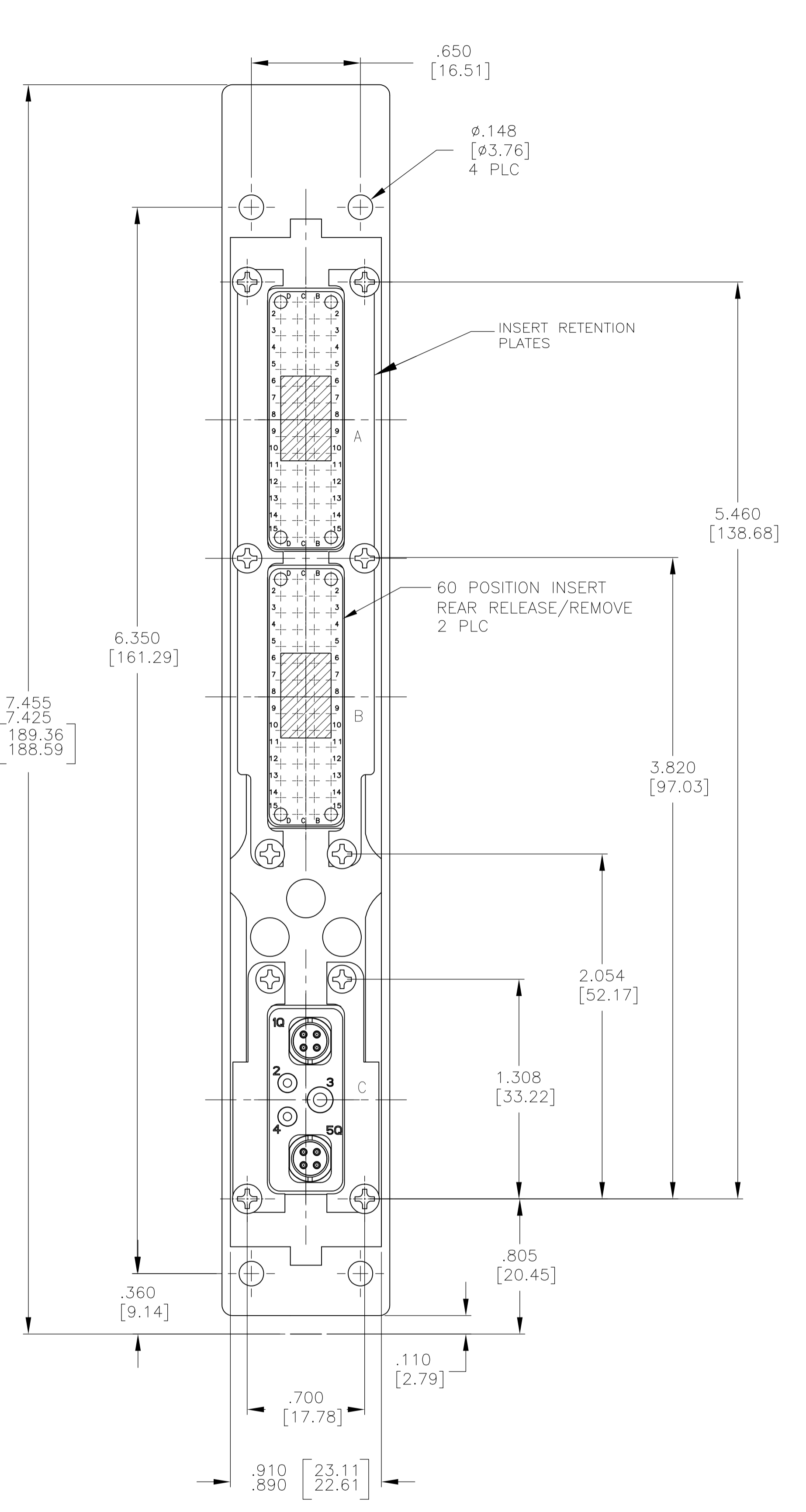
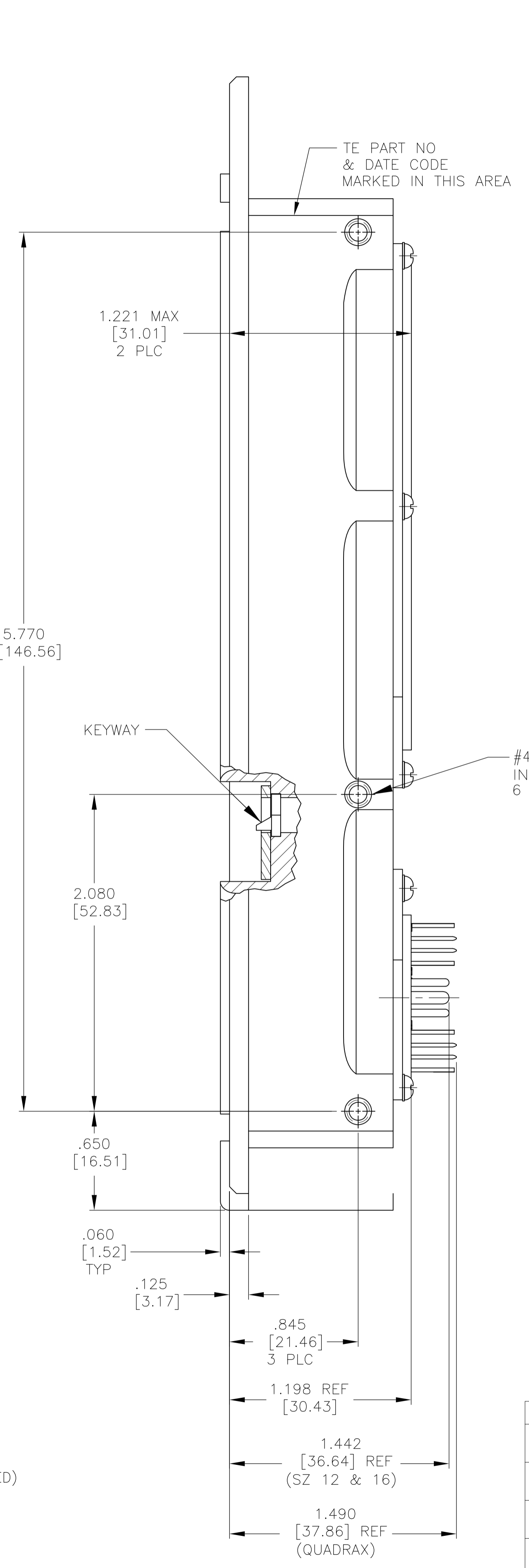
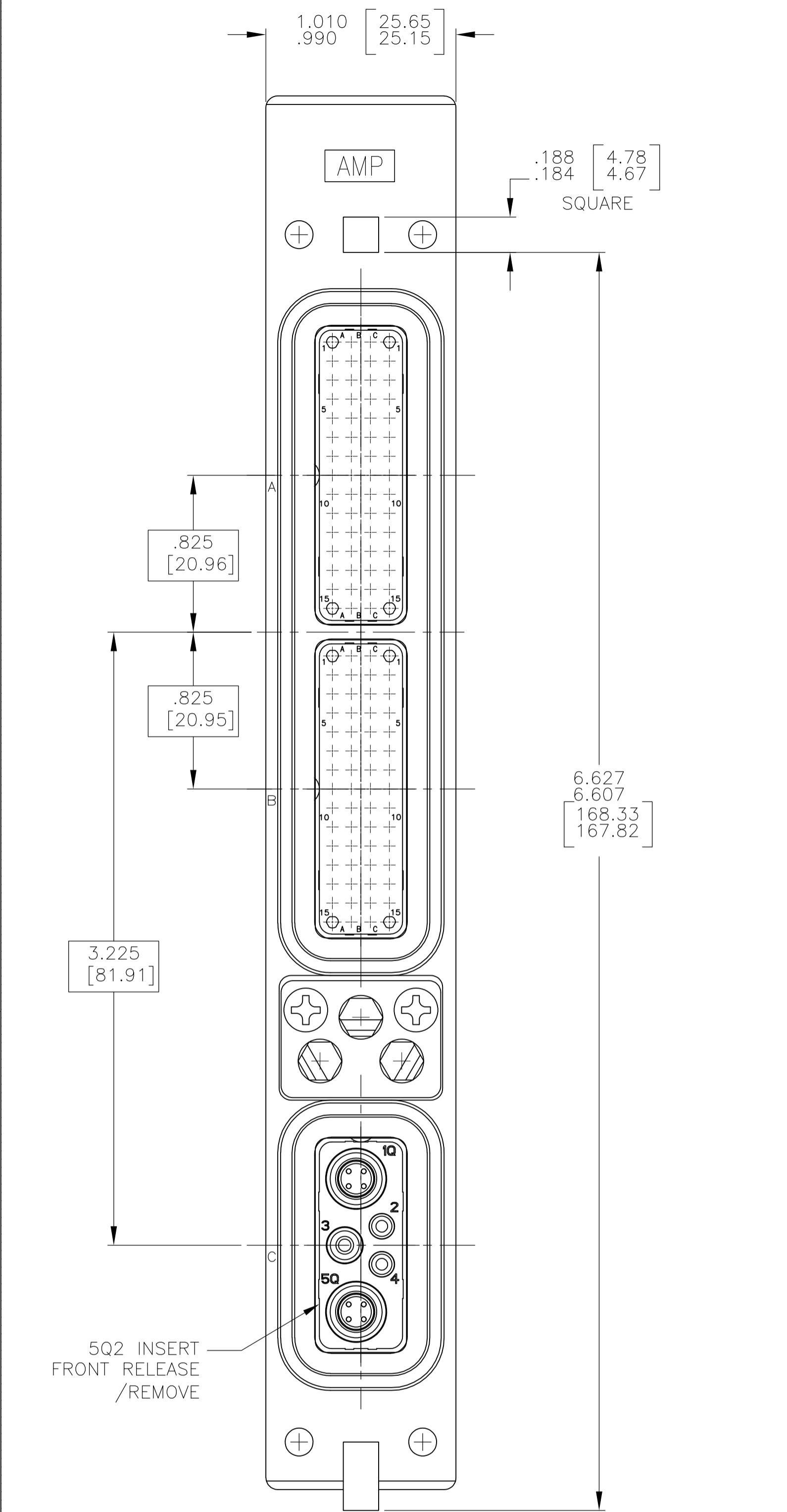


REVISONS		DATE	BY	APPROV
P	LTR	DESCRIPTION		
C		REVISED PER ECO-15-011840	17NOV15	RS CT



- CONNECTOR DIMENSIONS ARE PER ARINC 600 SPECIFICATION
  - FOLLOWING CONTACTS ARE INCLUDED:  
 SIZE 22 CRIMP SOCKET CONTACT: TE P/N 208264-2; QTY: 120 (NOT LOADED)  
 SIZE 16 POSTED PIN CONTACT: TE P/N 1-448139-4; QTY: 2 (LOADED)  
 SIZE 12 POSTED PIN CONTACT: TE P/N 1-448140-8; QTY: 1 (LOADED)  
 SIZE 8 POSTED QUADRAX CONTACT: TE P/N 1445626-4; QTY: 2 (LOADED)
- 3 SEE TABLE FOR KEYING POSITION. FOR POSITION "00" KEYING SHIPPED UNASSEMBLED.

COMPONENT	MATERIAL	FINISH
SHELL	DIE CAST ALUMINUM PER ASTM-B-85	CHEMICAL CONVERSION COATING PER MIL-C-5541, CLASS 1A
RETENTION PLATES	ALUMINUM ALLOY PER ASTM-B-209	CHEMICAL CONVERSION COATING PER MIL-C-5541, CLASS 1A
SCREWS, LOCKWASHERS	STEEL OR STAINLESS STEEL	CHROMATE OVER ZINC OR PASSIVATED
POLARIZING KEYS	ZINC ALLOY PER ASTM-B-86	-
POLARIZING KEY RETAINING PLATE	ALUMINUM ALLOY PER ASTM-B-209	BLUE ANODIZED PER MIL-A-8625
INSERTS	THERMOSET	-

OBSOLETE	"08"	2157537-1
3	KEYING POSITION	PART NO.

THIS DRAWING IS A CONTROLLED DOCUMENT.

DIMENSIONS: INCHES	TOLERANCES UNLESS OTHERWISE SPECIFIED:	DIN C.C.THOMAS 4-19-11	APPROVED K.HOGAN 4-19-11
0 PLC ± -	1 PLC ± -	NAME RCPT ASSY, SIZE 1, ARINC 600	RESTRICTED TO
2 PLC ± -	3 PLC ± .005 [0.13]	APPLICATION SPEC	SIZE A1
4 PLC ± -	ANGLES ± -	WEIGHT	00779 C=2157537
MATERIAL SEE TABLE	FINISH SEE TABLE	CUSTOMER DRAWING	SCALE 2:1 SHEET 1 OF 1 REV C

STE TE Connectivity