

EXT Series

Telescoping Extension Masts

Product Features:

Works with any manufacturer's ceiling mounts which use 1.5" NPT pipe

Works with VMP ceiling mounts that use or have been adapted to use 1.5" NPT pipe

Black powder coat finish

EXT-0609

Same as shown except telescopes 6"-9"

EXT-1218

Same as shown except telescopes 12"-18"

EXT-1830 (Shown)

Telescopes 18"-30"

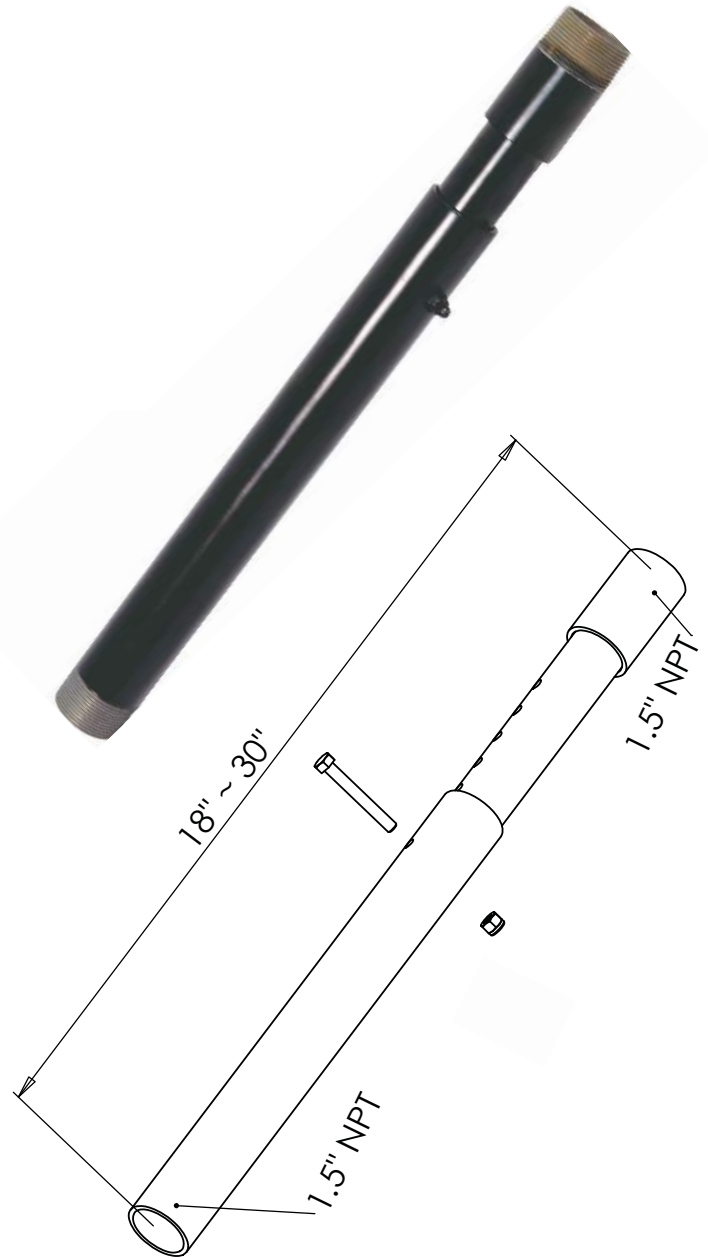
EXT-4872

Same as shown except telescopes 48"-72"

Product Specifications:

(for Architects & Engineers)

The telescoping extension shall be the Video Mount Products (VMP) EXT-_____. The extension shall be made of 1.5" NPT pipe. The extension shall be capable of adjusting from _____. The extension shall have predrilled holes every inch. The extension shall be able to integrate with any manufacturer's mount which uses 1.5" NPT pipe.



Video Mount Products

345 Log Canoe Circle Stevensville, MD 21666

Toll Free: 877.281.2169 Telephone: 410.643.6390

Facsimile: 410.643.6615 www.videomount.com

VMP
VIDEO MOUNT PRODUCTS