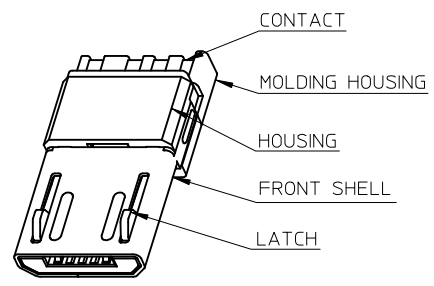
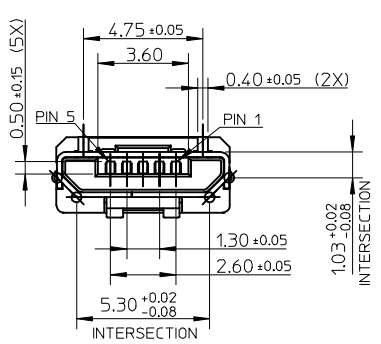


MICRO USB PLUG CONNECTOR PIN ASSIGNMENT

| CONTACT NUMBER | SIGNAL NAME | DESCRIPTION |
|----------------|-------------|-------------------------|
| 1 | VBUS | POWER |
| 2 | D- | MICRO USB |
| 3 | D+ | DIFFERENTIAL PAIR |
| 4 | ID | / |
| 5 | GND | GROUND FOR POWER RETURN |

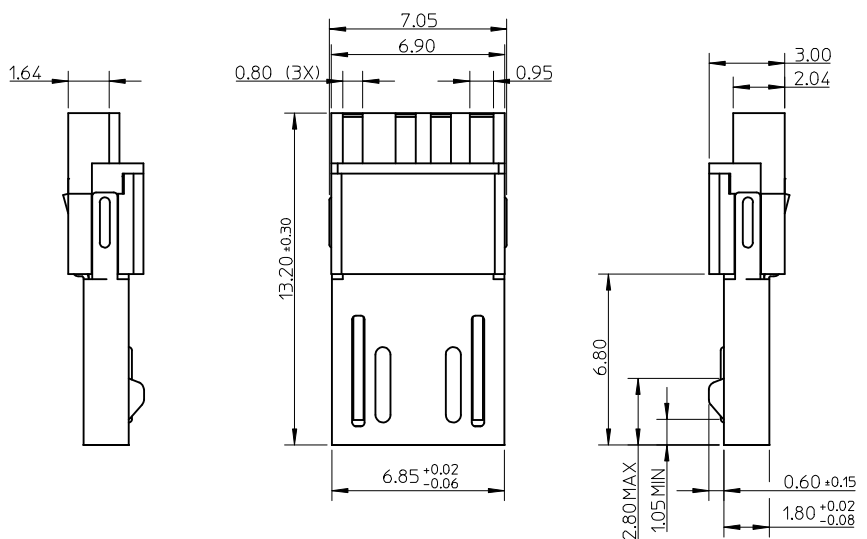
NOTES:

- MATERIAL:
 - HOUSING: THERMOPLASTIC, GLASS FIBER FILLED, UL94-0, HALOGEN FREE, COLOR: SEE TABLE;
 - MOLDING: THERMOPLASTIC, GLASS FIBER FILLED, UL94-0, HALOGEN FREE, COLOR: BLACK;
 - CONTACT: COPPER ALLOY;
 - FRONT SHELL: STAINLESS STEEL;
 - LATCH: STAINLESS STEEL.
- FINISH:
 - CONTACT: GOLD PLATING IN CONTACT AREA, THICKNESS SEE TABLE; PLATED BRIGHT TIN(Sn) 120u" MIN. IN SOLDER TAIL AREA; PLATED NICKEL(Ni) 50u" MIN OVERALL.
 - FRONT SHELL: NICKEL(Ni) 30u" MIN OVERALL.
 - LATCH: CLEANING.
- PRODUCT SPECIFICATION: PS-105301-001.
- PACKAGING SPECIFICATION: PK-105301-001.
- TEST SUMMARY: TS-105301-001.
- LEAD FREE AND RoHS COMPLIANT PRODUCT.



| | | |
|-------------|----------------------|---------------|
| 105301-0301 | GOLD FLASH | WHITE |
| 105301-0201 | GOLD 30u" MINIMUM | BLACK |
| 105301-0101 | GOLD FLASH | BLACK |
| 105301-0001 | GOLD 30u" MINIMUM | WHITE |
| PART NUMBER | CONTACT AREA PLATING | HOUSING COLOR |

| | | | | | | | |
|---|---|--|---|-------------------------------|------------------------|------------------------|--|
| ADD PART NUMBER EC NO: SH2016-0062 DRWN:XOZHANG 2015/08/11 CHKD:XOZHANG 2015/08/11 APPR:AYIN 2015/09/08 | QUALITY SYMBOLS F=0 F=0 F=0 | GENERAL TOLERANCES (UNLESS SPECIFIED) mm INCH 4 PLACES ± --- ± --- 3 PLACES ± --- ± --- 2 PLACES ± 0.25 ± --- 1 PLACE ± 0.35 ± --- 0 PLACE ± --- ± --- ANGULAR ± 2° | DIMENSION STYLE MM ONLY DRAWN BY: XOZHANG CHECKED BY: XOZHANG APPROVED BY: AYIN DATE: 2013/07/25 DATE: 2013/07/25 DATE: 2013/08/15 | SCALE 1:1 | DESIGN UNITS METRIC | THIRD ANGLE PROJECTION | TITLE SALES DRAWING FOR USB MICRO-B, PLUG HEIGHT: 3.4MM |
| | | DRAFT WHERE APPLICABLE MUST REMAIN WITHIN DIMENSIONS | MATERIAL NO. 105301-0001 | DOCUMENT NO. SD-105301-001 | SHEET NO. 1 OF 1 | | |
| | THIS DRAWING CONTAINS INFORMATION THAT IS PROPRIETARY TO MOLEX INCORPORATED AND SHOULD NOT BE USED WITHOUT WRITTEN PERMISSION | | | | | | |
| | SIZE A3 | | | | | | |

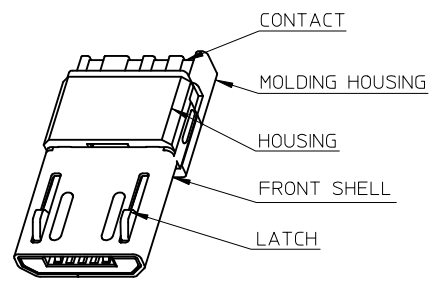
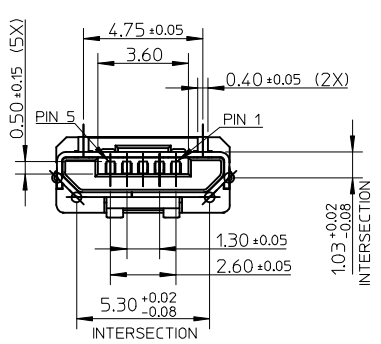


MICRO USB PLUG CONNECTOR PIN ASSIGNMENT

| CONTACT NUMBER | SIGNAL NAME | DESCRIPTION |
|----------------|-------------|-------------------------|
| 1 | VBUS | POWER |
| 2 | D- | MICRO USB |
| 3 | D+ | DIFFERENTIAL PAIR |
| 4 | ID | / |
| 5 | GND | GROUND FOR POWER RETURN |

NOTES:

- MATERIAL:
 - HOUSING: THERMOPLASTIC, GLASS FIBER FILLED, UL94-0, HALOGEN FREE, COLOR: SEE TABLE;
 - MOLDING: THERMOPLASTIC, GLASS FIBER FILLED, UL94-0, HALOGEN FREE, COLOR: BLACK;
 - CONTACT: COPPER ALLOY;
 - FRONT SHELL: STAINLESS STEEL;
 - LATCH: STAINLESS STEEL.
- FINISH:
 - CONTACT: GOLD PLATING IN CONTACT AREA, THICKNESS SEE TABLE; PLATED BRIGHT TIN(Sn) 120u" MIN. IN SOLDER TAIL AREA; PLATED NICKEL(Ni) 50u" MIN OVERALL.
 - FRONT SHELL: NICKEL(Ni) 30u" MIN OVERALL.
 - LATCH: CLEANING.
- PRODUCT SPECIFICATION: PS-105301-001.
- PACKAGING SPECIFICATION: PK-105301-001.
- TEST SUMMARY: TS-105301-001.
- LEAD FREE AND RoHS COMPLIANT PRODUCT.



| | | |
|-------------|----------------------|---------------|
| 105301-0301 | GOLD FLASH | WHITE |
| 105301-0201 | GOLD 30u" MINIMUM | BLACK |
| 105301-0101 | GOLD FLASH | BLACK |
| 105301-0001 | GOLD 30u" MINIMUM | WHITE |
| PART NUMBER | CONTACT AREA PLATING | HOUSING COLOR |

| | | | | | | |
|---|--|---|---|---|--------------|------------------------|
| ADD PART NUMBER EC NO: SH2016-0062 DRWN:XOZHANG 2015/08/11 CHKD:XOZHANG 2015/08/11 APPR:AYIN 2015/09/08 | QUALITY SYMBOLS | GENERAL TOLERANCES (UNLESS SPECIFIED) | DIMENSION STYLE | SCALE | DESIGN UNITS | THIRD ANGLE PROJECTION |
| | $\nabla = 0$ $\nabla = 0$ $\nabla = 0$ | 4 PLACES ± --- ± --- 3 PLACES ± --- ± --- 2 PLACES ± 0.25 ± --- 1 PLACE ± 0.35 ± --- 0 PLACE ± --- ± --- | MM ONLY | 1:1 | METRIC | |
| | | mmm INCH DRAWN BY: XOZHANG DATE: 2013/07/25 CHECKED BY: DATE: 2013/07/25 APPROVED BY: DATE: 2013/08/15 MATERIAL NO. 105301-0001 DOCUMENT NO. SD-105301-001 | TITLE | SALES DRAWING FOR USB MICRO-B, PLUG HEIGHT: 3.4MM | | |
| | | ANGULAR ± 2 ° DRAFT WHERE APPLICABLE MUST REMAIN WITHIN DIMENSIONS | THIS DRAWING CONTAINS INFORMATION THAT IS PROPRIETARY TO MOLEX INCORPORATED AND SHOULD NOT BE USED WITHOUT WRITTEN PERMISSION | molex | | SHEET NO. 1 OF 1 |