

# UCC28730 Zero-Power Standby PSR Flyback Controller With CVCC and Wake-Up Monitoring

## 1 Features

- Enables *Zero-Power* (<5 mW) standby consumption
- Smart *Wake-Up* detection enables smallest output capacitance
- Primary-side regulation (PSR) eliminates optocoupler
- ±5% voltage regulation and current regulation across line and load
- 700-V start-up switch
- 83-kHz maximum switching frequency enables low stand-by power charger designs
- Resonant-ring valley-switching operation for highest overall efficiency
- Frequency-dither to ease EMI compliance
- Clamped gate-drive output for MOSFET
- Overvoltage, low-line, and overcurrent protection functions
- Programmable cable compensation
- SOIC-7 package

## 2 Applications

- Adapters and chargers for smart phones, tablets, and other consumer electronics
- TV and monitor power supplies
- SMPS for home appliances and industrial automation
- Standby and auxiliary power supplies

## 3 Description

The UCC28730 isolated-flyback power supply controller provides Constant-Voltage (CV) and Constant-Current (CC) output regulation without the use of an optical coupler, and *wake-up* signal detection to improve transient response to large load steps. A minimum switching frequency of 30 Hz facilitates achieving less than 5 mW of no-load power. This device processes information from the primary power switch and an auxiliary flyback winding for precise control of output voltage and current. The *wake-up* monitoring works with a secondary-side alarm device such as the UCC24650 to deliver rapid response to heavy load steps using minimal output capacitance.

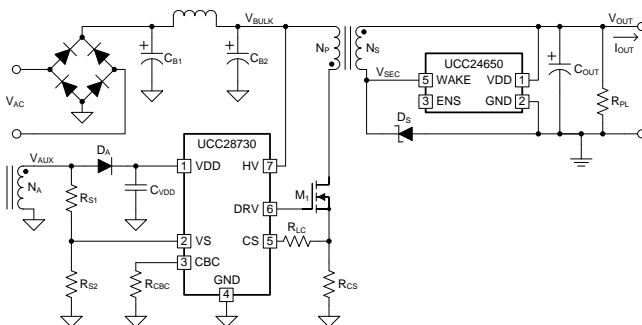
An internal 700-V start-up switch, dynamically-controlled operating states and a tailored modulation profile support ultra-low stand-by power without sacrificing start-up time or output transient response. Control algorithms in the UCC28730 allow operating efficiencies to meet or exceed applicable standards. Discontinuous conduction mode (DCM) operation with valley-switching reduces switching losses. Modulation of the switching frequency and primary current peak amplitude (FM and AM) keeps the conversion efficiency high across the entire load and line ranges.

### Device Information<sup>(1)</sup>

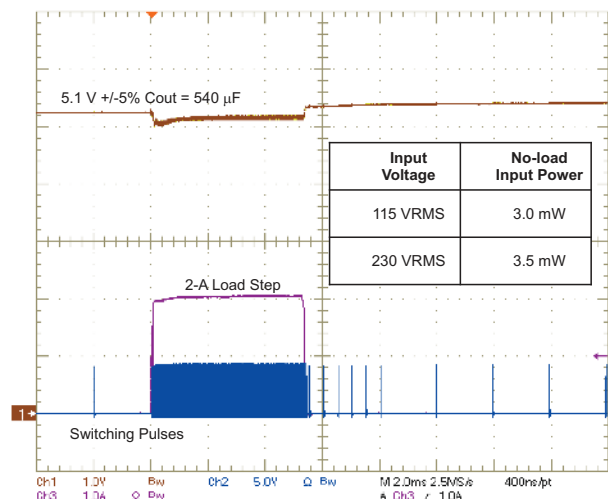
| PART NUMBER | PACKAGE  | BODY SIZE (NOM)   |
|-------------|----------|-------------------|
| UCC28730    | SOIC (7) | 4.90 mm × 3.90 mm |

(1) For all available packages, see the orderable addendum at the end of the data sheet.

### Simplified Schematic



### Zero-Power Input Consumption at No-Load



## Table of Contents

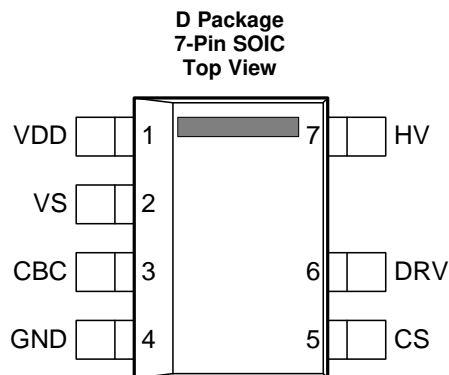
|  |           |  |           |
|--|-----------|--|-----------|
| <b>1 Features</b> .....                        | <b>1</b>  | 7.4 Device Functional Modes.....                                 | <b>20</b> |
| <b>2 Applications</b> .....                    | <b>1</b>  | <b>8 Application and Implementation</b> .....                    | <b>21</b> |
| <b>3 Description</b> .....                     | <b>1</b>  | 8.1 Application Information.....                                 | <b>21</b> |
| <b>4 Revision History</b> .....                | <b>2</b>  | 8.2 Typical Application .....                                    | <b>21</b> |
| <b>5 Pin Configuration and Functions</b> ..... | <b>3</b>  | 8.3 Do's and Don'ts .....  | <b>29</b> |
| <b>6 Specifications</b> .....                  | <b>4</b>  | <b>9 Power Supply Recommendations</b> .....                      | <b>29</b> |
| 6.1 Absolute Maximum Ratings .....             | <b>4</b>  | <b>10 Layout</b> .....   | <b>30</b> |
| 6.2 ESD Ratings .....                          | <b>4</b>  | 10.1 Layout Guidelines .....                                     | <b>30</b> |
| 6.3 Recommended Operating Conditions.....      | <b>4</b>  | 10.2 Layout Example .....  | <b>30</b> |
| 6.4 Thermal Information .....                  | <b>4</b>  | <b>11 Device and Documentation Support</b> .....                 | <b>31</b> |
| 6.5 Electrical Characteristics.....            | <b>5</b>  | 11.1 Device Support.....   | <b>31</b> |
| 6.6 Timing Requirements .....                  | <b>6</b>  | 11.2 Documentation Support .....                                 | <b>33</b> |
| 6.7 Switching Characteristics .....            | <b>6</b>  | 11.3 Receiving Notification of Documentation Updates             | <b>33</b> |
| 6.8 Typical Characteristics .....              | <b>7</b>  | 11.4 Community Resources.....                                    | <b>33</b> |
| <b>7 Detailed Description</b> .....            | <b>9</b>  | 11.5 Trademarks .....  | <b>33</b> |
| 7.1 Overview .....                             | <b>9</b>  | 11.6 Electrostatic Discharge Caution.....                        | <b>33</b> |
| 7.2 Functional Block Diagram .....             | <b>9</b>  | 11.7 Glossary .....  | <b>33</b> |
| 7.3 Feature Description.....                   | <b>10</b> | <b>12 Mechanical, Packaging, and Orderable Information</b> ..... | <b>33</b> |

## 4 Revision History

NOTE: Page numbers for previous revisions may differ from page numbers in the current version.

| <b>Changes from Original (May 2017) to Revision A</b>   | <b>Page</b> |
|---|-------------|
| • Moved the <i>Detailed Pin Description</i> section to the <i>Feature Description</i> .....   | <b>10</b>   |
| • Deleted <i>quasi</i> from <i>quasi-resonant</i> in the <i>Transformer Turns Ratio, Inductance, Primary-Peak Current</i> section ..... | <b>24</b>   |
| • Added the <i>Development Support, Receiving Notification of Documentation Updates, and Community Resources</i> sections.....          | <b>31</b>   |

## 5 Pin Configuration and Functions



### Pin Functions

| PIN |      | TYPE <sup>(1)</sup> | DESCRIPTION   |
|-----|------|---------------------|---|
| NO. | NAME |                     |   |
| 1   | VDD  | P                   | VDD is the bias supply input pin to the controller. A carefully-placed by-pass capacitor to GND is required on this pin.  |
| 2   | VS   | I                   | Voltage Sense is an input used to provide voltage feed-back and demagnetization timing to the controller for output voltage regulation, frequency limiting, constant-current control, line voltage detection, and output overvoltage detection. This pin is connected to a voltage divider between an auxiliary winding and GND. The value of the upper resistor of this divider is used to program the AC-mains run and stop thresholds and line compensation at the CS pin. This input also detects a qualified <i>wake-up</i> signal when operating in the Wait state. |
| 3   | CBC  | I                   | Cable Compensation is a programming pin for compensation of cable voltage drop. Cable compensation is programmed with a resistor to GND.  |
| 4   | GND  | G                   | The ground pin is both the reference pin for the controller and the low-side return for the drive output. Special care should be taken to return all AC decoupling capacitors as close as possible to this pin and avoid any common trace length with power and signal return paths.  |
| 5   | CS   | I                   | Current Sense input connects to a ground-referenced current-sense resistor in series with the power switch. The resulting voltage is used to monitor and control the peak primary current. A series resistor can be added to this pin to compensate the peak switch current levels as the rectified bulk voltage varies.  |
| 6   | DRV  | O                   | Drive is an output used to drive the gate of an external high-voltage MOSFET switching transistor.  |
| 7   | HV   | I                   | The High Voltage pin connects directly to the rectified bulk voltage and provides charge to the VDD capacitor for start-up of the power supply.   |

(1) P = Power, G = Ground, I = Input, O = Output, I/O = Input/Output

## 6 Specifications

### 6.1 Absolute Maximum Ratings

over operating free-air temperature range (unless otherwise noted)<sup>(1)</sup>

|             |   | MIN   | MAX           | UNIT |
|-------------|---|-------|---------------|------|
| Voltage     | HV  |       | 700           | V    |
|             | VDD   |       | 38            |      |
|             | VS  | -0.75 | 7             |      |
|             | CS, CBC   | -0.5  | 5             |      |
|             | DRV   | -0.5  | Self-limiting |      |
| Current     | DRV, continuous sink  |       | 50            | mA   |
|             | DRV, source   |       | Self-limiting |      |
|             | VS, peak, 1% duty-cycle   |       | -1.2          |      |
| Temperature | Lead temperature 0.6 mm from case for 10 seconds, T <sub>LEAD</sub> |       | 260           | °C   |
|             | Storage temperature, T <sub>stg</sub>                               | -65   | 150           |      |

(1) Stresses beyond those listed under *Absolute Maximum Ratings* may cause permanent damage to the device. These are stress ratings only, which do not imply functional operation of the device at these or any other conditions beyond those indicated under *Recommended Operating Conditions*. Exposure to absolute-maximum-rated conditions for extended periods may affect device reliability.

### 6.2 ESD Ratings

|                    |                         | VALUE  | UNIT  |
|--------------------|-------------------------|--|-------|
| V <sub>(ESD)</sub> | Electrostatic discharge | Human-body model (HBM), per ANSI/ESDA/JEDEC JS-001 <sup>(1)</sup>              | ±2000 |
|                    |                         | Charged-device model (CDM), per JEDEC specification JESD22-C101 <sup>(2)</sup> | ±500  |

(1) JEDEC document JEP155 states that 500-V HBM allows safe manufacturing with a standard ESD control process.

(2) JEDEC document JEP157 states that 250-V CDM allows safe manufacturing with a standard ESD control process.

### 6.3 Recommended Operating Conditions

over operating free-air temperature range (unless otherwise noted)

|                  |                                | MIN   | NOM | MAX | UNIT |
|------------------|--------------------------------|-------|-----|-----|------|
| V <sub>VDD</sub> | Bias-supply operating voltage  | 9     |     | 35  | V    |
| C <sub>VDD</sub> | VDD by-pass capacitor          | 0.047 |     |     | μF   |
| R <sub>CBC</sub> | Cable-compensation resistance  | 10    |     |     | kΩ   |
| I <sub>VS</sub>  | VS pin current, out of pin     |       |     | 1   | mA   |
| T <sub>J</sub>   | Operating junction temperature | -40   |     | 125 | °C   |

### 6.4 Thermal Information

| THERMAL METRIC <sup>(1)</sup> |  | UCC28730 | UNIT |
|-------------------------------|--|----------|------|
|                               |  | D (SOIC) |      |
|                               |  | 7 PINS   |      |
| R <sub>θJA</sub>              | Junction-to-ambient thermal resistance       | 141.5    | °C/W |
| R <sub>θJC(top)</sub>         | Junction-to-case (top) thermal resistance    | 73.8     | °C/W |
| R <sub>θJB</sub>              | Junction-to-board thermal resistance         | 89       | °C/W |
| ψ <sub>JT</sub>               | Junction-to-top characterization parameter   | 23.5     | °C/W |
| ψ <sub>JB</sub>               | Junction-to-board characterization parameter | 88.2     | °C/W |

(1) For more information about traditional and new thermal metrics, see the *Semiconductor and IC Package Thermal Metrics* application report.

## 6.5 Electrical Characteristics

over operating free-air temperature range,  $V_{VDD} = 25\text{ V}$ , HV = open,  $R_{CBC} = \text{open}$ ,  $T_A = -40^\circ\text{C}$  to  $125^\circ\text{C}$ ,  $T_J = T_A$  (unless otherwise noted)

| PARAMETER                           | TEST CONDITION   | MIN   | TYP   | MAX  | UNIT |                  |
|-------------------------------------|--|---|-------|------|------|------------------|
| <b>HIGH-VOLTAGE START-UP</b>        |  |   |       |      |      |                  |
| $I_{HV}$                            | Start-up current out of VDD  | $V_{HV} = 100\text{ V}$ , $V_{VDD} = 0\text{ V}$ , start state                        | 100   | 250  | 500  | $\mu\text{A}$    |
| $I_{HVLKG25}$                       | Leakage current into HV  | $V_{HV} = 400\text{ V}$ , run state, $T_J = 25^\circ\text{C}$                         | 0.01  | 0.5  |      | $\mu\text{A}$    |
| <b>BIAS SUPPLY INPUT CURRENT</b>    |  |   |       |      |      |                  |
| $I_{RUN}$                           | Supply current, run  | Run state, $I_{DRV} = 0\text{ A}$   | 2.1   | 2.65 |      | $\text{mA}$      |
| $I_{WAIT}$                          | Supply current, wait   | Wait state, $I_{DRV} = 0\text{ A}$ , $V_{VDD} = 20\text{ V}$                          | 52    | 75   |      | $\mu\text{A}$    |
| $I_{START}$                         | Supply current, start  | Start state, $I_{DRV} = 0\text{ A}$ , $V_{VDD} = 18\text{ V}$ , $I_{HV} = 0\text{ A}$ | 18    | 30   |      | $\mu\text{A}$    |
| $I_{FAULT}$                         | Supply current, fault  | Fault state, $I_{DRV} = 0\text{ A}$   | 54    | 75   |      | $\mu\text{A}$    |
| <b>UNDERVOLTAGE LOCKOUT</b>         |  |   |       |      |      |                  |
| $V_{VDD(on)}$                       | VDD turn-on threshold  | $V_{VDD}$ low to high   | 17.5  | 21   | 23   | $\text{V}$       |
| $V_{VDD(off)}$                      | VDD turn-off threshold   | $V_{VDD}$ high to low   | 7.3   | 7.7  | 8.1  | $\text{V}$       |
| <b>VS INPUT AND Wake-Up MONITOR</b> |  |   |       |      |      |                  |
| $V_{VSR}$                           | Regulating level <sup>(1)</sup>  | Measured at no-load condition, $T_J = 25^\circ\text{C}$                               | 4     | 4.04 | 4.08 | $\text{V}$       |
| $V_{VSNC}$                          | Negative clamp level below GND   | $I_{VSLs} = -300\text{ }\mu\text{A}$  | 190   | 250  | 325  | $\text{mV}$      |
| $I_{VSB}$                           | Input bias current   | $V_{VS} = 4\text{ V}$   | -0.25 | 0    | 0.25 | $\mu\text{A}$    |
| $V_{WU(high)}$                      | Wake-up threshold at VS, high <sup>(2)</sup>                               | VS pin rising   |       | 2    |      | $\text{V}$       |
| $V_{WU(low)}$                       | Wake-up threshold at VS, low   | VS pin rising   | 15    | 57   | 105  | $\text{mV}$      |
| <b>CS INPUT</b>                     |  |   |       |      |      |                  |
| $V_{CST(max)}$                      | CS maximum threshold voltage <sup>(3)</sup>                                | $V_{VS} = 3.7\text{ V}$   | 710   | 740  | 770  | $\text{mV}$      |
| $V_{CST(min)}$                      | CS minimum threshold voltage   | $V_{VS} = 4.35\text{ V}$  | 230   | 249  | 270  | $\text{mV}$      |
| $K_{AM}$                            | AM control ratio, $V_{CST(max)} / V_{CST(min)}$                            |   | 2.75  | 2.99 | 3.2  | $\text{V/V}$     |
| $V_{CCR}$                           | Constant-current regulation factor   |   | 310   | 319  | 329  | $\text{mV}$      |
| $K_{LC}$                            | Line compensation current ratio, $I_{VSLs} / \text{current out of CS pin}$ | $I_{VSLs} = -300\text{ }\mu\text{A}$  | 24    | 25.3 | 28   | $\text{A/A}$     |
| <b>DRIVER</b>                       |  |   |       |      |      |                  |
| $I_{DRS}$                           | DRV source current   | $V_{DRV} = 8\text{ V}$ , $V_{VDD} = 9\text{ V}$                                       | 20    | 29   | 35   | $\text{mA}$      |
| $R_{DRVLS}$                         | DRV low-side drive resistance  | $I_{DRV} = 10\text{ mA}$  |       | 6    | 12   | $\Omega$         |
| $V_{DRCL}$                          | DRV clamp voltage  | $V_{VDD} = 35\text{ V}$   | 13    | 14.5 | 16   | $\text{V}$       |
| $R_{DRVSS}$                         | DRV pull-down in start state   |   | 150   | 190  | 230  | $\text{k}\Omega$ |

- (1) The regulating level and OV threshold at VS decrease with increasing temperature by  $1\text{ mV}/^\circ\text{C}$ . This compensation over temperature is included to reduce the variances in power supply output regulation and over-voltage detection with respect to the external output rectifier.
- (2) Designed for accuracy within  $\pm 10\%$  of typical value.
- (3) These threshold voltages represent average levels. This device automatically varies the current sense thresholds to improve EMI performance.

## Electrical Characteristics (continued)

over operating free-air temperature range,  $V_{DD} = 25\text{ V}$ , HV = open,  $R_{CBC} = \text{open}$ ,  $T_A = -40^\circ\text{C}$  to  $125^\circ\text{C}$ ,  $T_J = T_A$  (unless otherwise noted)

| PARAMETER                 |   | TEST CONDITION  | MIN  | TYP  | MAX  | UNIT             |
|---------------------------|---|---|------|------|------|------------------|
| <b>PROTECTION</b>         |   |   |      |      |      |                  |
| $V_{OVP}$                 | Over-voltage threshold <sup>(1)</sup>                             | At VS input, $T_J = 25^\circ\text{C}$   | 4.52 | 4.62 | 4.71 | V                |
| $V_{OCP}$                 | Over-current threshold  | At CS input   | 1.4  | 1.5  | 1.6  | V                |
| $I_{VSL(\text{run})}$     | VS line-sense run current   | Current out of VS pin increasing  | 190  | 225  | 275  | $\mu\text{A}$    |
| $I_{VSL(\text{stop})}$    | VS line-sense stop current  | Current out of VS pin decreasing  | 70   | 80   | 100  | $\mu\text{A}$    |
| $K_{VSL}$                 | VS line-sense ratio, $I_{VSL(\text{run})} / I_{VSL(\text{stop})}$ |   | 2.45 | 2.8  | 3.05 | A/A              |
| $T_{J(\text{stop})}$      | Thermal shut-down temperature                                     | Internal junction temperature   |      | 165  |      | $^\circ\text{C}$ |
| <b>CABLE COMPENSATION</b> |   |   |      |      |      |                  |
| $V_{CBC(\text{max})}$     | Cable compensation output maximum voltage                         | Voltage at CBC at full load   | 2.9  | 3.13 | 3.5  | V                |
| $V_{CVS(\text{min})}$     | Minimum compensation at VS  | $V_{CBC} = \text{open}$ , change in VS regulating level from no load to full load | -50  | -15  | 20   | mV               |
| $V_{CVS(\text{max})}$     | Maximum compensation at VS  | $V_{CBC} = 0\text{ V}$ , change in VS regulating level from no load to full load  | 275  | 325  | 375  | mV               |

## 6.6 Timing Requirements

|             |  | MIN | NOM | MAX | UNIT          |
|-------------|--|-----|-----|-----|---------------|
| $t_{WUDLY}$ | Wake-up qualification delay, $V_{VS} = 0\text{ V}$                     | 7   | 8.5 | 11  | $\mu\text{s}$ |
| $t_{CSLEB}$ | Leading-edge blanking time, DRV output duration, $V_{CS} = 1\text{ V}$ | 170 | 225 | 280 | ns            |
| $t_{ZTO}$   | Zero-crossing timeout delay, no zero-crossing detected                 | 1.6 | 2.2 | 2.9 | $\mu\text{s}$ |

## 6.7 Switching Characteristics

over operating free-air temperature range (unless otherwise noted)

| PARAMETER            |  | TEST CONDITIONS          | MIN | TYP  | MAX | UNIT |
|----------------------|--|--------------------------|-----|------|-----|------|
| $f_{SW(\text{max})}$ | Maximum switching frequency <sup>(1)</sup> | $V_{VS} = 3.7\text{ V}$  | 76  | 83.3 | 90  | kHz  |
| $f_{SW(\text{min})}$ | Minimum switching frequency                | $V_{VS} = 4.35\text{ V}$ | 25  | 32   | 37  | Hz   |

(1) These frequency limits represent average levels. This device automatically varies the switching frequency to improve EMI performance.

## 6.8 Typical Characteristics

$V_{VDD} = 25\text{ V}$ ,  $T_J = 25^\circ\text{C}$ , unless otherwise noted.

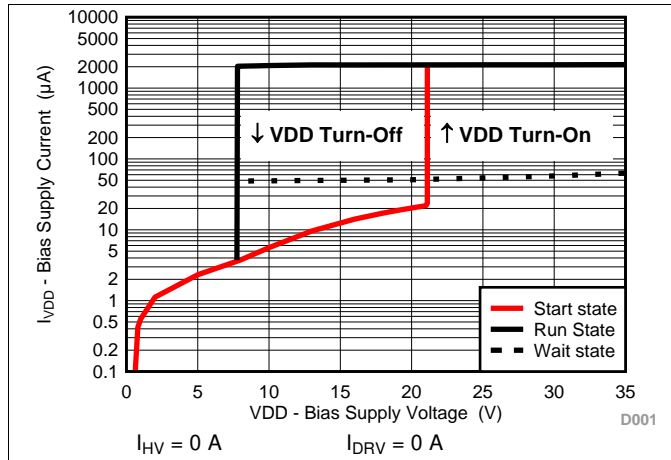


Figure 1. Bias Supply Current vs. Bias Supply Voltage

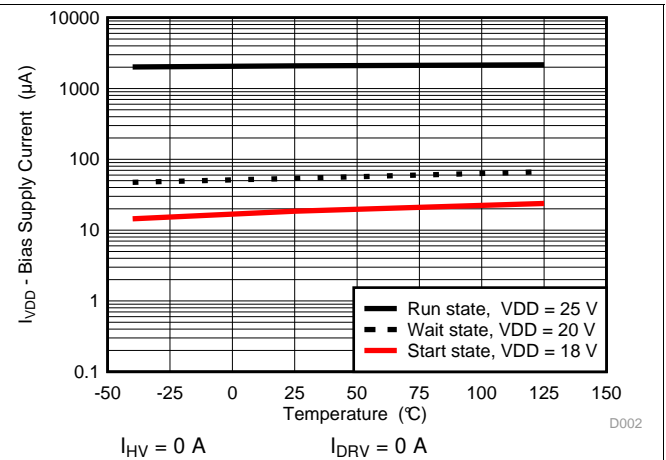


Figure 2. Bias Supply Current vs. Temperature

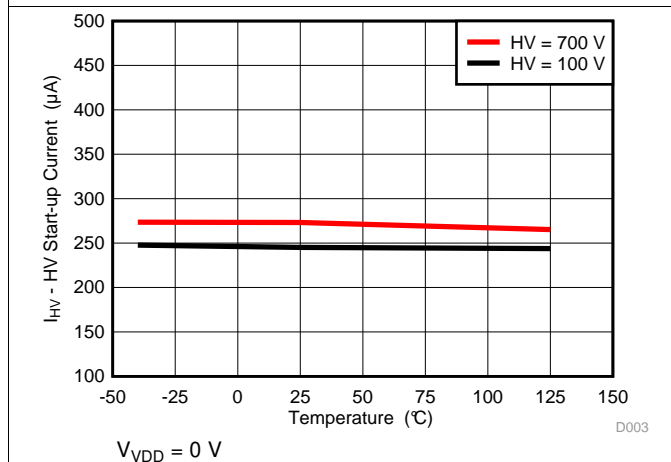


Figure 3. HV Start-up Current vs. Temperature

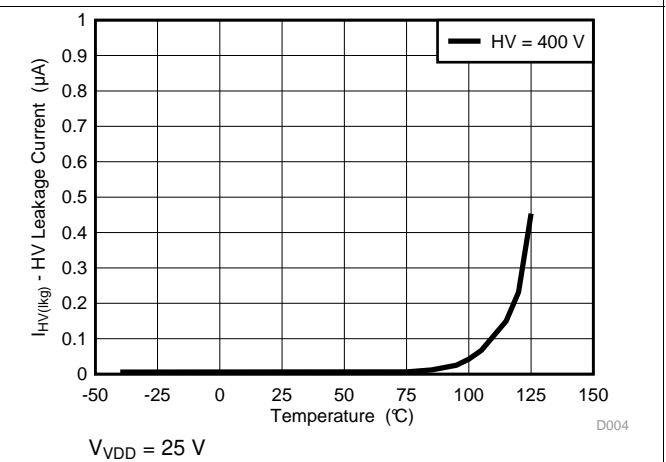


Figure 4. HV Leakage Current vs. Temperature

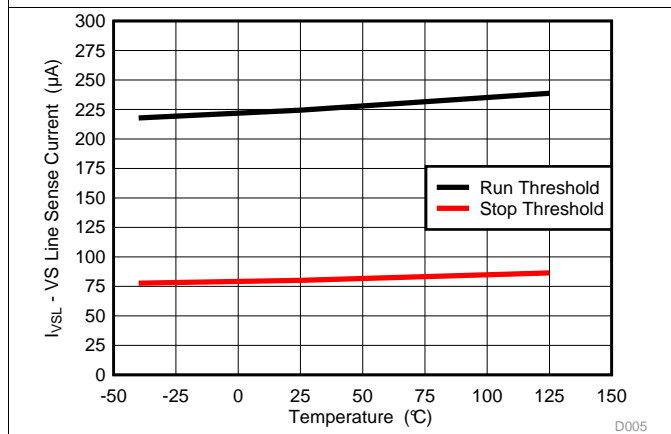


Figure 5. VS Line-Sense Current vs. Temperature

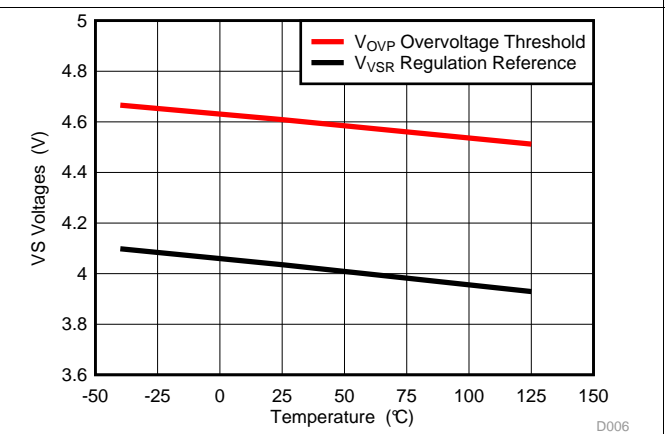


Figure 6. VS Voltages vs. Temperature

### Typical Characteristics (continued)

$V_{VDD} = 25\text{ V}$ ,  $T_J = 25^\circ\text{C}$ , unless otherwise noted.

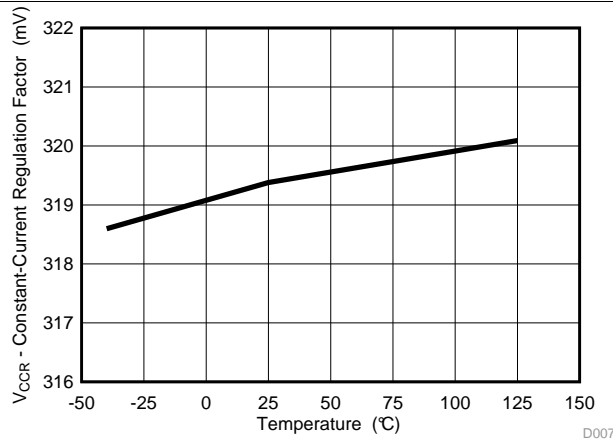


Figure 7. Constant-Current Regulation Factor vs. Temperature

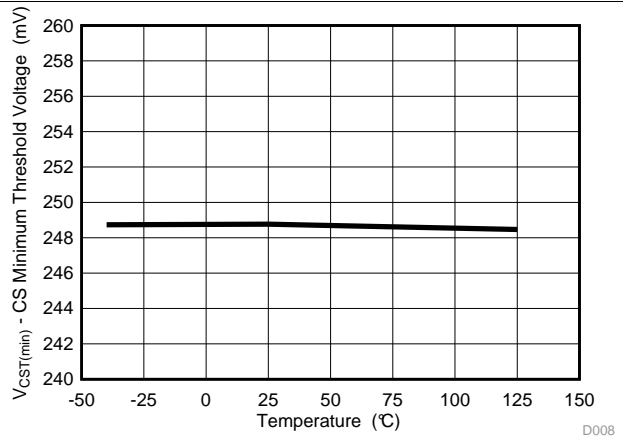


Figure 8. CS Minimum Threshold Voltage vs. Temperature

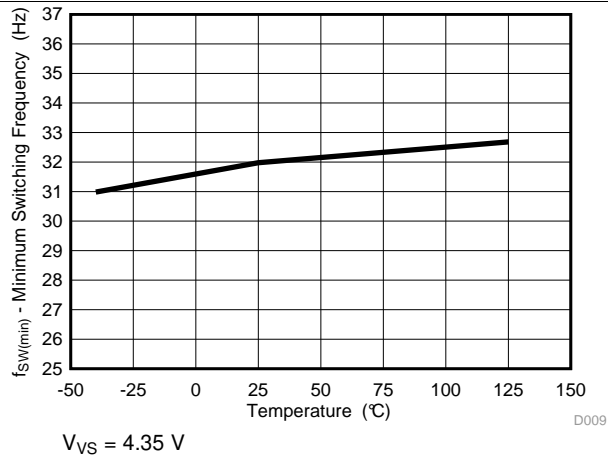


Figure 9. Minimum Switching Frequency vs. Temperature

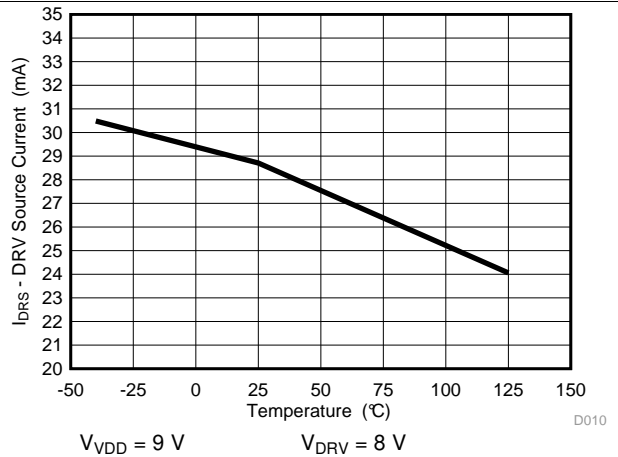


Figure 10. DRV Source Current vs. Temperature

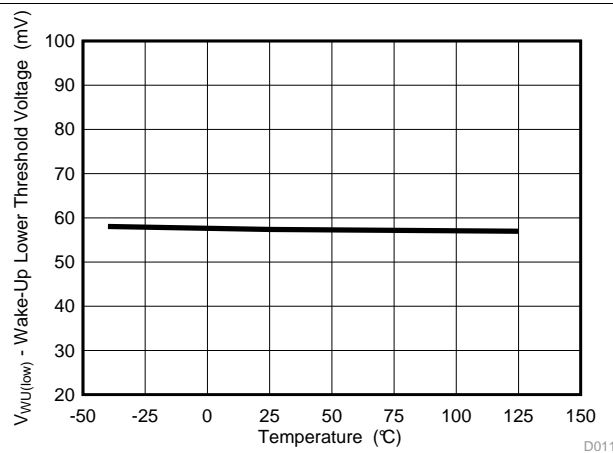


Figure 11. Wake-Up Lower Threshold Voltage vs. Temperature

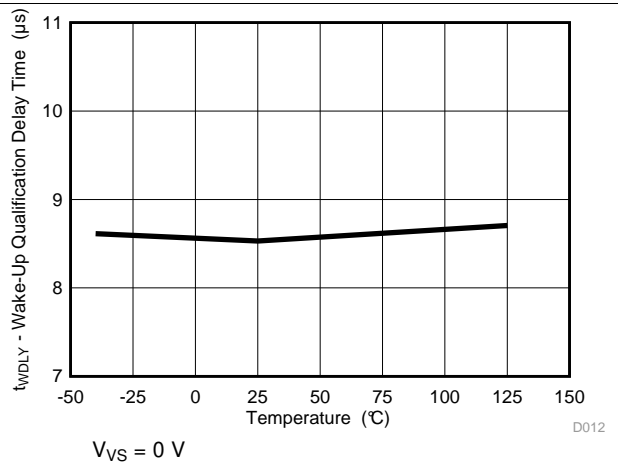


Figure 12. Wake-Up Qualification Delay Time vs. Temperature



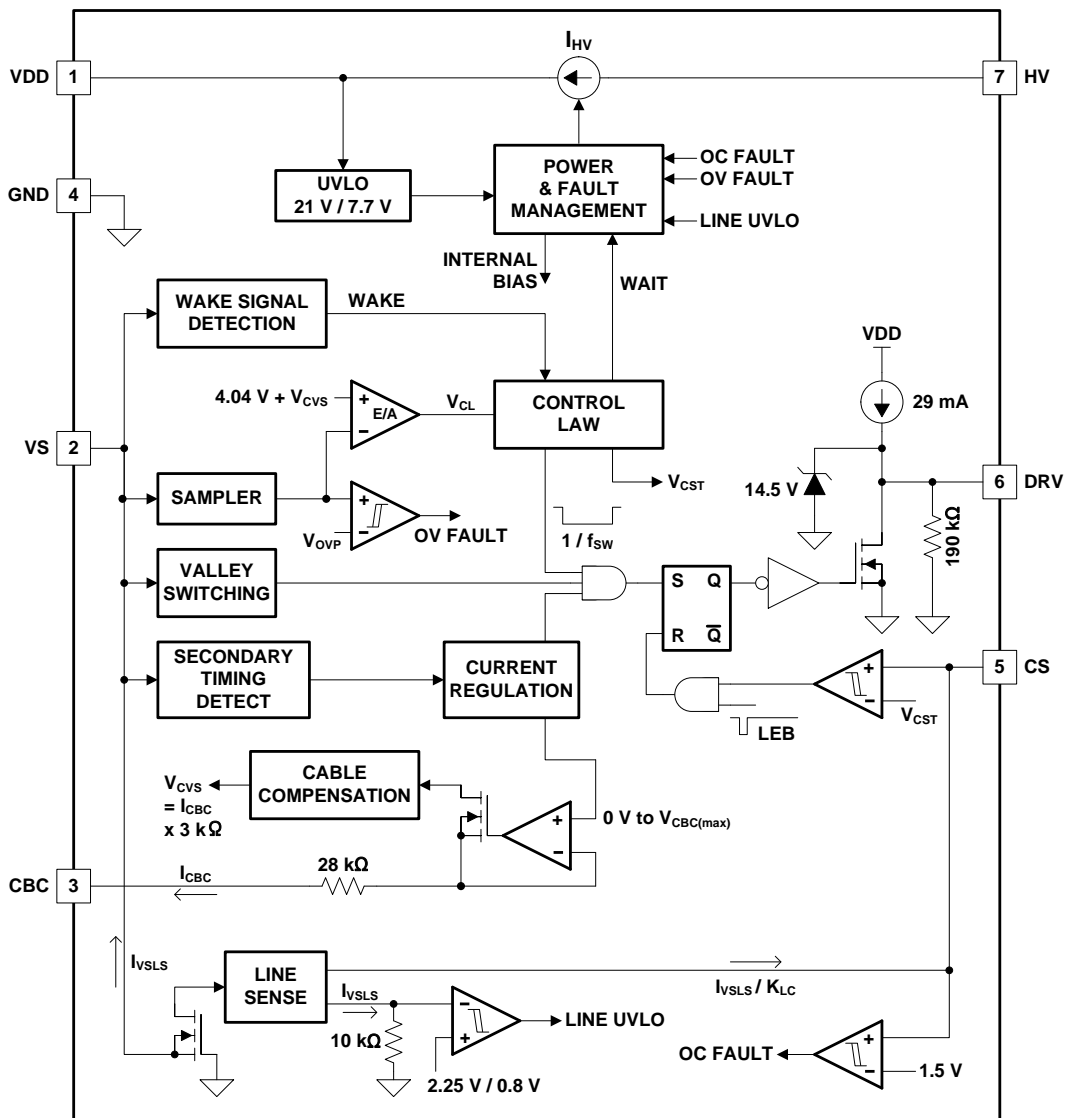
## 7 Detailed Description

### 7.1 Overview

The UCC28730 is an isolated-flyback power supply controller which provides accurate voltage and constant current regulation using primary-side winding sensing, eliminating the need for opto-coupler feedback circuits. The controller operates in discontinuous conduction mode with valley switching to minimize switching losses. The modulation scheme is a combination of frequency modulation and primary peak-current modulation to provide high conversion efficiency across the load range. The control law provides a wide dynamic operating range of output power which facilitates the achievement of <5-mW stand-by power.

During low-power operating levels the device has power management features to reduce the device operating current at switching frequencies less than 28 kHz. The UCC28730 includes features in the pulse-width modulator to reduce the EMI peak energy at the fundamental switching frequency and its harmonics. Accurate voltage and current regulation, fast dynamic response, and fault protection are achieved with primary-side control. A complete charger solution can be realized with a straightforward design process, low cost, and low component-count.

### 7.2 Functional Block Diagram



## 7.3 Feature Description

### 7.3.1 Detailed Pin Description

#### 7.3.1.1 VDD (Device Bias Voltage Supply)

The VDD pin connects to a by-pass capacitor to ground. The turn-on UVLO threshold is 21 V and turn-off UVLO threshold is 7.7 V with an available operating range up to 35 V on VDD. The typical USB charging specification requires the output current to operate in Constant-Current mode from 5 V down to at least 2 V, which is easily achieved with a nominal  $V_{VDD}$  of approximately 20 V. The additional VDD headroom up to 35 V allows for  $V_{VDD}$  to rise due to the leakage energy delivered to the VDD capacitor during high-load conditions.

#### 7.3.1.2 GND (Ground)

UCC28730 has a single ground reference external to the device for the gate-drive current and analog signal reference. Place the VDD-bypass capacitor close to GND and VDD with short traces to minimize noise on the VS and CS signal pins.

#### 7.3.1.3 HV (High Voltage Startup)

The HV pin connects directly to the bulk capacitor to provide startup current to the VDD capacitor. The typical startup current is approximately 250  $\mu$ A which provides fast charging of the VDD capacitor. The internal HV startup device is active until  $V_{VDD}$  exceeds the turn-on UVLO threshold of 21 V at which time the HV startup device turns off. In the off state the HV leakage current is very low to minimize stand-by losses of the controller. When  $V_{VDD}$  falls below the 7.7-V UVLO turn-off threshold the HV startup device turns on.

#### 7.3.1.4 DRV (Gate Drive)

The DRV pin connects to the MOSFET gate pin, usually through a series resistor. The gate driver provides a gate-drive signal limited to 14 V. The turn-on characteristic of the driver is a 29-mA current source which limits the turn-on dv/dt of the MOSFET drain and reduces the leading-edge current spike, while still providing a gate-drive current to overcome the Miller plateau. The gate-drive turn-off current is determined by the  $R_{DS(on)}$  of the low-side driver and any external gate drive resistance. Adding external gate resistance reduces the MOSFET drain turn-off dv/dt, if necessary. Such resistance value is generally higher than the typical 10  $\Omega$  commonly used to damp resonance. However, calculation of the external resistance value to achieve a specific dv/dt involves MOSFET parameters beyond the scope of this datasheet.

#### 7.3.1.5 CBC (Cable Compensation)

The cable compensation pin is connected to a resistor to ground to program the amount of output voltage compensation needed to offset cable resistance. The cable compensation circuit generates a 0 to 3.13-V voltage level on the CBC pin corresponding to 0 A to  $I_{OCC}$  maximum output current. The resistance selected on the CBC pin programs a current mirror that is summed into the VS feedback divider therefore increasing the regulation voltage as  $I_{OUT}$  increases. There is an internal series resistance of 28 k $\Omega$  to the CBC pin which sets a maximum cable compensation for a 5-V output to approximately 400 mV when CBC is shorted to ground. The CBC resistance value can be determined using [Equation 1](#).

$$R_{CBC} = \frac{V_{CBC(max)} \times (V_{OCV} + V_F) \times 3 \text{ k}\Omega}{V_{VSR} \times V_{OCBC}} - 28 \text{ k}\Omega$$

where

- $V_{CBC(max)}$  is the maximum voltage at the cable compensation pin at the maximum converter output current (see [Electrical Characteristics](#)),
- $V_{OCV}$  is the regulated output voltage,
- $V_F$  is the diode forward voltage,
- $V_{VSR}$  is the CV regulating level at the VS input (see [Electrical Characteristics](#)),
- $V_{OCBC}$  is the target cable compensation voltage at the output terminals. (1)

Note that the cable compensation does not change the overvoltage protection (OVP) threshold,  $V_{OVP}$  (see [Electrical Characteristics](#)), so the operating margin to OVP is less when cable compensation is used.

## Feature Description (continued)

### 7.3.1.6 VS (Voltage Sense)

The VS pin connects to a resistor-divider from the auxiliary winding to ground and is used to sense input voltage, output voltage, event timing, and Wait-state *wake-up* signaling. The auxiliary voltage waveform is sampled at the end of the transformer secondary current demagnetization time to provide an accurate representation of the output voltage. The waveform on the VS pin determines the timing information to achieve valley-switching, and the timing to control the duty-cycle of the transformer secondary current when in Constant-Current Mode. Avoid placing a filter capacitor on this input which interferes with accurate sensing of this waveform.

During the MOSFET on-time, this pin also senses VS current generated through  $R_{S1}$  by the reflected bulk-capacitor voltage to provide for AC-input Run and Stop thresholds, and to compensate the current-sense threshold across the AC-input range. For the AC-input Run/Stop function, the Run threshold on VS is 225  $\mu$ A and the Stop threshold is 80  $\mu$ A.

At the end of off-time demagnetization, the reflected output voltage is sampled at this pin to provide regulation and overvoltage protection. The values for the auxiliary voltage-divider upper-resistor,  $R_{S1}$ , and lower-resistor,  $R_{S2}$ , are determined by [Equation 2](#) and [Equation 3](#).

$$R_{S1} = \frac{\sqrt{2} \times V_{IN(run)}}{N_{PA} \times I_{VSL(run)}}$$

where

- $V_{IN(run)}$  is the target AC RMS voltage to enable turn-on of the controller (Run) (in case of DC input, leave out the  $\sqrt{2}$  term in the equation),
- $I_{VSL(run)}$  is the Run-threshold for the current pulled out of the VS pin during the switch on-time (see [Electrical Characteristics](#)),
- $N_{PA}$  is the transformer primary-to-auxiliary turns-ratio. (2)

$$R_{S2} = \frac{R_{S1} \times V_{VSR}}{N_{AS} \times (V_{OCV} + V_F) - V_{VSR}}$$

where

- $V_{OCV}$  is the converter regulated output voltage,
- $V_F$  is the output rectifier forward drop at near-zero current,
- $N_{AS}$  is the transformer auxiliary-to-secondary turns-ratio,
- $R_{S1}$  is the VS divider high-side resistance,
- $V_{VSR}$  is the CV regulating level at the VS input (see [Electrical Characteristics](#)). (3)

When the UCC28730 is operating in the Wait state, the VS input is receptive to a *wake-up* signal superimposed upon the auxiliary winding waveform after the waveform meets either of two qualifying conditions. A high-level *wake-up* signal is considered to be detected if the amplitude at the VS input exceeds  $V_{WU(high)}$  (2 V) provided that any voltage at VS has been continuously below  $V_{WU(high)}$  for the *wake-up* qualification delay  $t_{WDLY}$  (8.5  $\mu$ s) after the demagnetization interval. A low-level *wake-up* signal is considered to be detected if the amplitude at the VS input exceeds  $V_{WU(low)}$  (57 mV) provided that any voltage at VS has been continuously below  $V_{WU(low)}$  for the *wake-up* qualification delay  $t_{WDLY}$  (8.5  $\mu$ s) after the demagnetization interval. The high-level threshold accommodates signals generated by a low-impedance secondary-side driver while the low-level threshold detects signals generated by a high-impedance driver.

### 7.3.1.7 CS (Current Sense)

The current-sense pin connects to a series resistor ( $R_{LC}$ ) to the current-sense resistor ( $R_{CS}$ ). The maximum current-sense threshold ( $V_{CST(max)}$ ) is approximately 0.74 V for  $I_{PP(max)}$  and minimum current-sense threshold ( $V_{CST(min)}$ ) is approximately 0.25 V for  $I_{PP(min)}$ .  $R_{LC}$  provides the function of feed-forward line compensation to eliminate changes in  $I_{PP}$  with input voltage due to the propagation delay of the internal comparator and MOSFET turn-off time. An internal leading-edge blanking time of 225 ns eliminates sensitivity to the MOSFET turn-on current spike. It should not be necessary to place a bypass capacitor on the CS pin. The target output current in constant-current (CC) regulation determines the value of  $R_{CS}$ . The values of  $R_{CS}$  and  $R_{LC}$  are calculated by [Equation 4](#) and [Equation 5](#). The term  $V_{CCR}$  is the product of the demagnetization constant, 0.432, and  $V_{CST(max)}$ .  $V_{CCR}$  is held to a tighter accuracy than either of its constituent terms. The term  $\eta_{XFMR}$  accounts for the energy stored in the transformer but not delivered to the secondary. This term includes transformer resistance and core loss, bias power, and primary-to-secondary leakage ratio.

### Feature Description (continued)

**Example:** With a transformer core and winding loss of 5%, primary-to-secondary leakage inductance of 3.5%, and bias-power to output-power ratio of 0.5%, the  $\eta_{XFMR}$  value at full-power is:  $1 - 0.05 - 0.035 - 0.005 = 0.91$ .

$$R_{CS} = \frac{V_{CCR} \times N_{PS}}{2 \times I_{OCC}} \times \sqrt{\eta_{XFMR}}$$

where

- $V_{CCR}$  is a constant-current regulation factor (see *Electrical Characteristics*),
- $N_{PS}$  is the transformer primary-to-secondary turns-ratio, (a ratio of 13 to 15 is typical for a 5-V output),
- $I_{OCC}$  is the target output current in constant-current regulation,
- $\eta_{XFMR}$  is the transformer efficiency at full-power output.

$$R_{LC} = \frac{K_{LC} \times R_{S1} \times R_{CS} \times N_{PA} \times t_D}{L_P}$$

where

- $K_{LC}$  is a current-scaling constant for line compensation (see *Electrical Characteristics*),
- $R_{S1}$  is the VS pin high-side resistor value,
- $R_{CS}$  is the current-sense resistor value,
- $N_{PA}$  is the transformer primary-to-auxiliary turns-ratio,
- $t_D$  is the total current-sense delay consisting of MOSFET turn-off delay, plus approximately 50-ns internal delay,
- $L_P$  is the transformer primary inductance.

### 7.3.2 Primary-Side Regulation (PSR)

Figure 13 illustrates a simplified isolated-flyback converter with the main voltage regulation blocks of the device shown. The power train operation is the same as any DCM flyback circuit but accurate output voltage and current sensing is the key to primary-side control. The output voltage is sensed as a reflected voltage during the transformer demagnetization time using a divider network at the VS input. The primary winding current is sensed at the CS input using a current-sense resistor,  $R_{CS}$ .

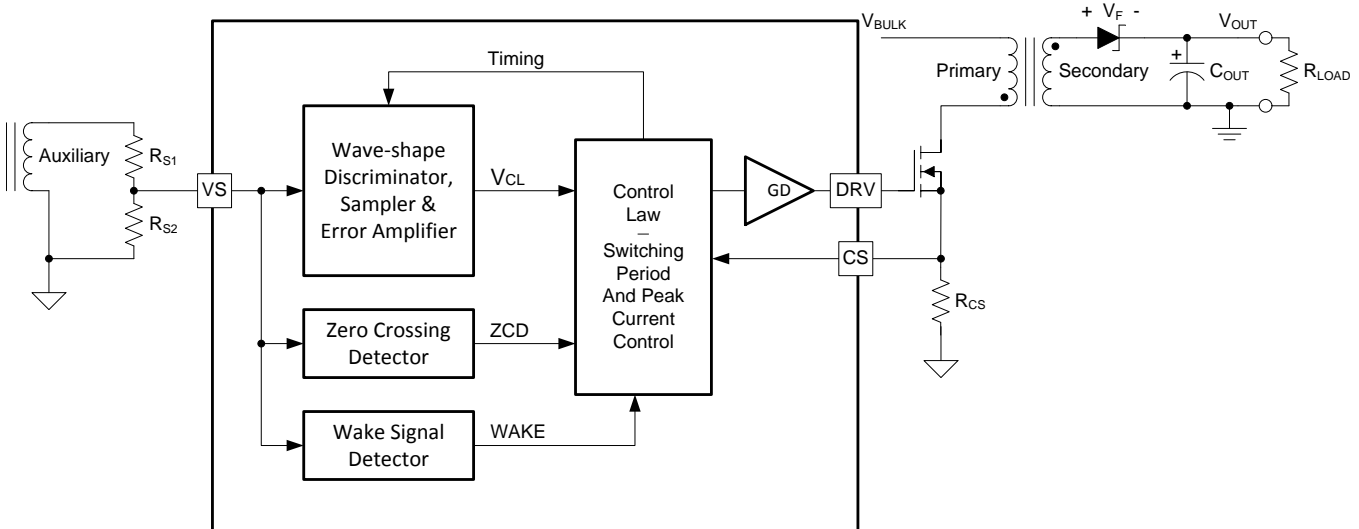


Figure 13. Simplified Flyback Convertor (with the main voltage regulation blocks)

### Feature Description (continued)

In primary-side control, the output voltage is indirectly sensed on the auxiliary winding at the end of the transfer of stored transformer energy to the secondary. As shown in Figure 14 it is clear there is a down slope representing a decreasing total rectifier  $V_F$  and resistance voltage drop as the secondary current decreases to zero. To achieve an accurate representation of the secondary output voltage on the auxiliary winding, the discriminator reliably blocks the leakage inductance reset and ringing, continuously samples the auxiliary voltage during the down slope after the ringing is diminished, and captures the error signal at the time the secondary winding reaches zero current. The internal reference on VS is 4.04 V. Temperature compensation on the VS reference voltage of  $-1 \text{ mV}/^\circ\text{C}$  offsets the change in the forward voltage of the output rectifier with temperature. The resistor divider is selected as outlined in the VS pin description.

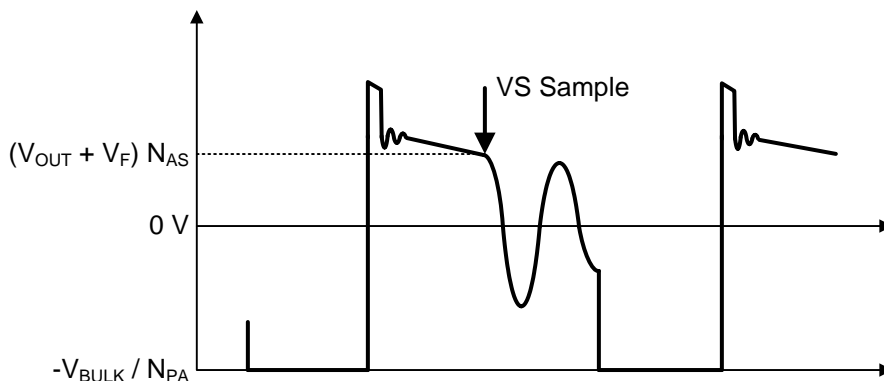


Figure 14. Auxiliary Winding Voltage

The UCC28730 VS-signal sampler includes signal discrimination methods to ensure an accurate sample of the output voltage from the auxiliary winding. There are, however, some details of the auxiliary winding signal which require attention to ensure reliable operation, specifically the reset time of the leakage inductance and the duration of any subsequent leakage inductance ring. Refer to Figure 15 below for a detailed illustration of waveform criteria to ensure a reliable sample on the VS pin.

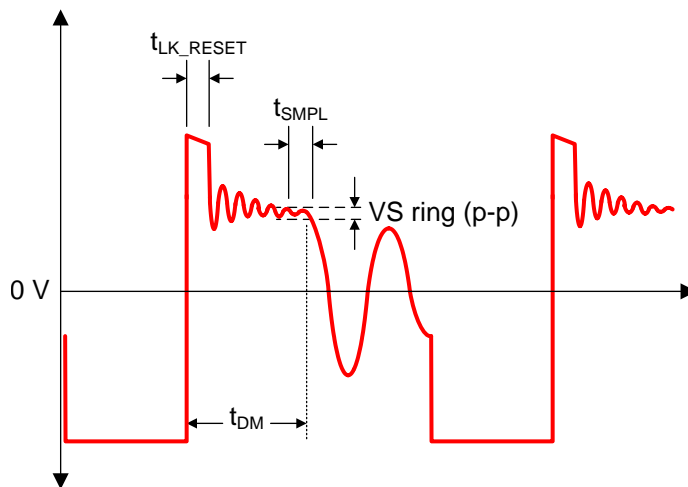


Figure 15. Auxiliary Waveform Details

The first detail to examine is the duration of the leakage inductance reset pedestal,  $t_{LK\_RESET}$  in Figure 15. Since this can mimic the waveform of the secondary current decay, followed by a sharp downslope, it is important to keep the leakage reset time to less than  $750 \text{ ns}$  for  $I_{PRI}$  minimum, and to less than  $2.25 \text{ }\mu\text{s}$  for  $I_{PRI}$  maximum.

### Feature Description (continued)

The second detail is the amplitude of ringing on the  $V_{AUX}$  waveform following  $t_{LK\_RESET}$ . The peak-to-peak voltage at the VS pin should be less than 125 mV for at least 200 ns before the end of the demagnetization time,  $t_{DM}$ . If there is a concern with excessive ringing, it usually occurs during light-load or no-load conditions, when  $t_{DM}$  is at the minimum. To avoid distorting the signal waveform at VS with oscilloscope probe capacitance, it is recommended to probe the auxiliary winding to view the VS waveform characteristics. The tolerable ripple on VS is scaled up to the auxiliary-winding voltage by  $R_{S1}$  and  $R_{S2}$ , and is equal to  $125\text{ mV} \times (R_{S1} + R_{S2}) / R_{S2}$ .

### 7.3.3 Primary-Side Constant Voltage Regulation

During voltage regulation, the controller operates in frequency modulation and amplitude modulation modes according to the control law as illustrated in Figure 16 below. The control law voltage  $V_{CL}$  reflects the internal operating level based on the voltage-error amplifier output signal. Neither of these signals is accessible to the user, however the approximate  $V_{CL}$  may be inferred from the frequency and amplitude of the current sense signal at the CS input. As the line and load conditions vary,  $V_{CL}$  adjusts the operating frequency and amplitude as required to maintain regulation of the output voltage. Because the UCC28730 incorporates internal loop compensation, no external stability compensation is required.

The internal operating frequency limits of the device are  $f_{SW(max)}$  and  $f_{SW(min)}$ , typically 83.3 kHz and 32 Hz, respectively. The choice of transformer primary inductance and primary-peak current sets the maximum operating frequency of the converter, which must be equal to or lower than  $f_{SW(max)}$ . Conversely, the choice of maximum target operating frequency and primary-peak current determines the transformer primary-inductance value. The actual minimum switching frequency for any particular converter depends on several factors, including minimum loading level, leakage inductance losses, switched-node capacitance losses, other switching and conduction losses, and bias-supply requirements. In any case, the minimum steady-state frequency of the converter must always exceed  $f_{SW(min)}$  or the output voltage may rise to the overvoltage protection level (OVP) and the controller responds as described in the Fault Protection Section.

The steady-state Control-Law voltage,  $V_{CL}$ , ranges between 1.3 to 4.85 V, depending on load, but may occasionally move below 0.75 V or above 4.85 V on load transients. Dropping below 0.75 V shifts the switching frequency to a lower range at light loads, while exceeding 4.85 V enters the constant-current mode of operation. There are 3 lower operating frequency ranges for progressively lighter loads, each overlapping the previous range to some extent, to provide stable regulation at very low frequencies. Peak-primary current is always maintained at  $I_{PP(max)}/3$  in these lower frequency levels. Transitions between levels is automatically accomplished by the controller depending on the internal control-law voltage,  $V_{CL}$ .

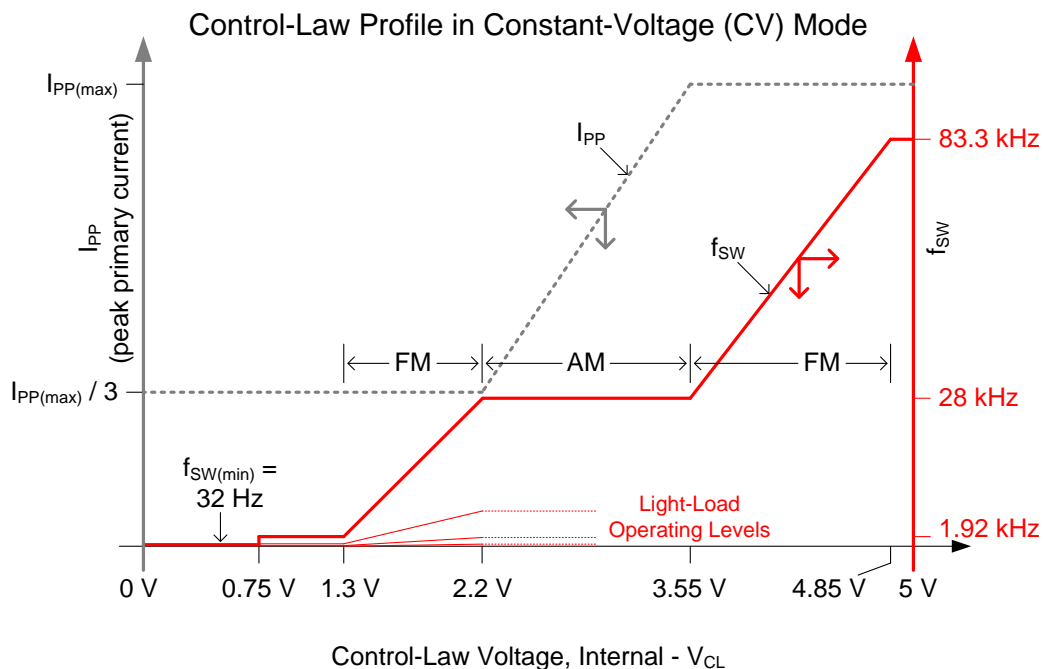
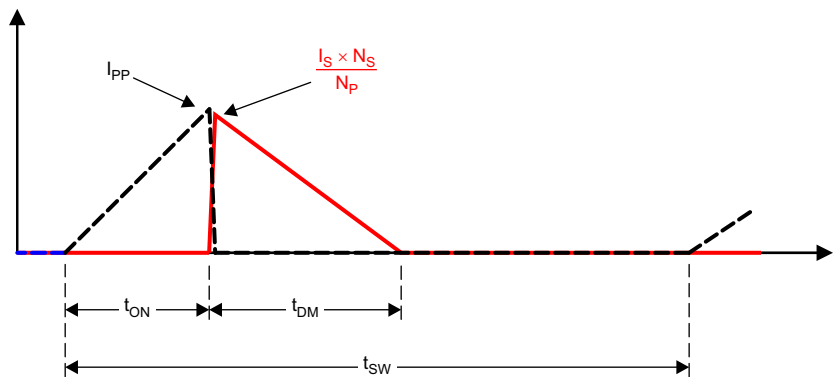


Figure 16. Frequency and Amplitude Modulation Modes (during voltage regulation)

Feature Description (continued)

7.3.4 Primary-Side Constant Current Regulation

Timing information at the VS pin and current information at the CS pin allow accurate regulation of the secondary average current. The control law dictates that as power is increased in CV regulation and approaching CC regulation the primary-peak current will be at  $I_{PP(max)}$ . Referring to Figure 17 below, the primary-peak current, turns ratio, secondary demagnetization time ( $t_{DM}$ ), and switching period ( $t_{SW}$ ) determine the secondary average output current. Ignoring leakage inductance effects, the average output current is given by Equation 6.



UDG-12203

Figure 17. Transformer Currents Relationship

$$I_{OUT} = \frac{I_{PP}}{2} \times \frac{N_P}{N_S} \times \frac{t_{DM}}{t_{SW}} \tag{6}$$

When the average output current reaches the CC regulation reference in the current control block, the controller operates in frequency modulation mode to control the output current,  $I_{OCC}$ , at any output voltage down to or below the minimum operating voltage target,  $V_{OCC}$  (as seen in Figure 18), as long as the auxiliary winding can keep VDD voltage above the UVLO turn-off threshold. When  $V_O$  falls so low that VDD cannot be sustained above UVLO, the device shuts down.

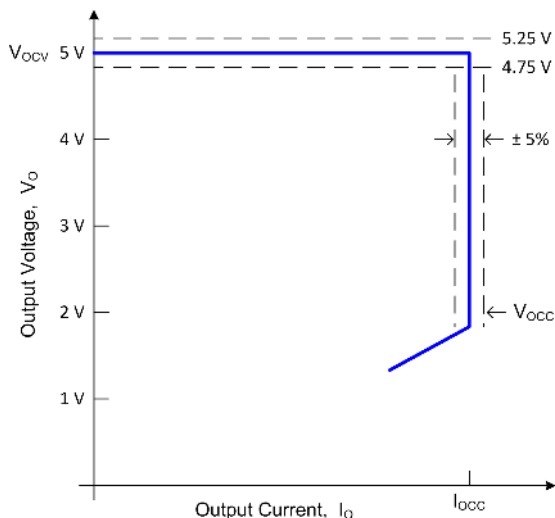


Figure 18. Typical Output V-I Target Characteristic

## Feature Description (continued)

### 7.3.5 Wake-Up Detection and Function

A major feature available at the VS pin is the *wake-up* function which operates in conjunction with a companion secondary-side *wake-up* device, such as the UCC24650. This feature allows light-load and no-load switching frequencies to approach 32 Hz to minimize losses, yet wake the UCC28730 from its wait state (sleep mode) in the event of a significant load step between power cycles. Despite the low frequencies, excessive output capacitance is not required to maintain reasonable transient response. While in the wait state, the UCC28730 continually monitors the VS input for a *wake-up* signal, and when detected, responds immediately with several high-frequency power cycles and resumes operation as required by the control law to recover from the load-step transient and restore output voltage regulation.

Because the *wake-up* feature interrupts the wait state between very low frequency switching cycles, it allows the use of a much lower output capacitance value than would be required to hold up the voltage without the *wake-up* function. It also allows the controller to drop to extremely low switching frequencies at no-load conditions to minimize switching losses. This facilitates the achievement of less than 5 mW of input power to meet *zero-power* stand-by requirements. Use of the UCC28730 controller alone cannot ensure *zero-power* operation since other system-level limitations are also imposed, however, the UCC28730 and UCC24650 combination goes a long way to reaching this goal.

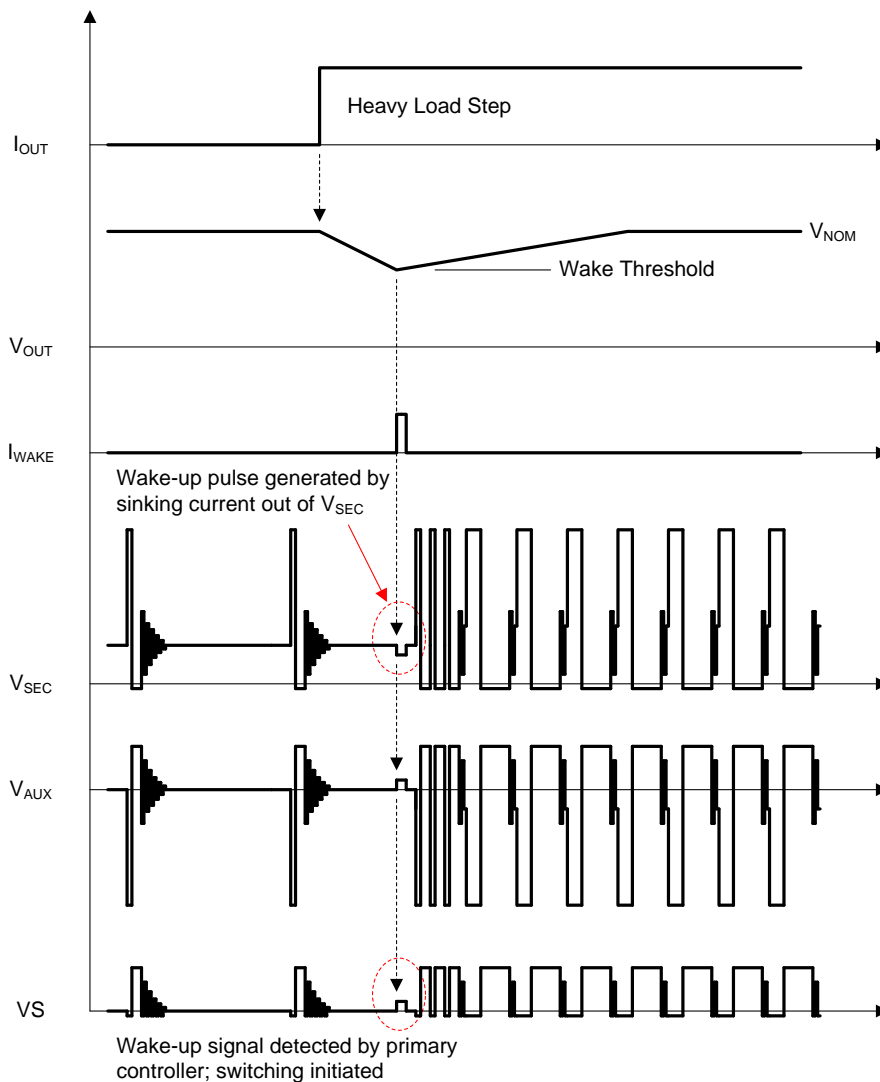


Figure 19. Simplified *Wake-Up* Operation and Waveforms

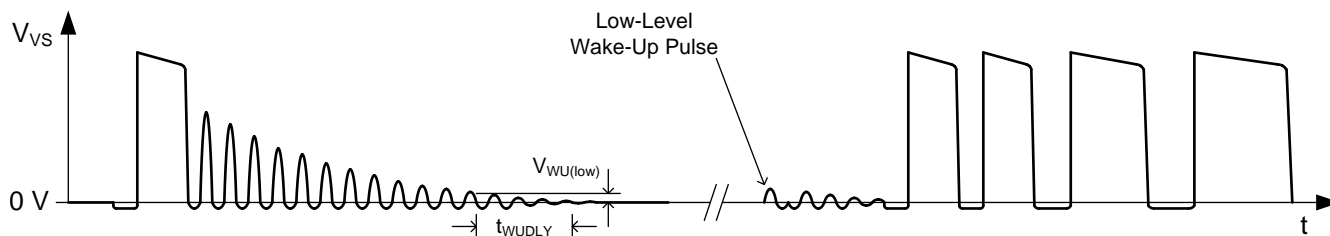


**Feature Description (continued)**

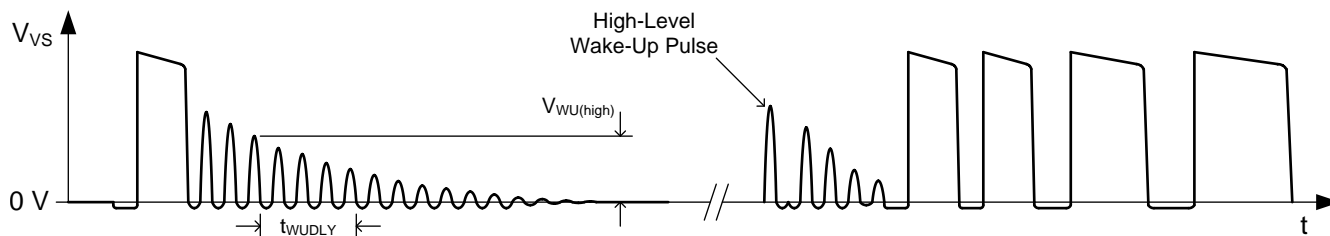
The signals illustrated in [Figure 19](#) refer to circuit nodes located on the [Simplified Schematic](#) diagram on the first page of this data sheet. The *wake-up* signal, which is provided by a secondary-side driver, must meet certain criteria to be considered valid and recognized by the UCC28730 at the VS input. To distinguish the signal from the residual resonant ringing that follows a switching power cycle, the resonant ringing amplitude must diminish and remain below the *wake-up* signal detection threshold,  $V_{WU}$ , for a fixed qualification time,  $t_{WUDLY}$ .

The UCC28730 has two such thresholds; one at  $V_{WU(low)}$  and one at  $V_{WU(high)}$ . The lower  $V_{WU(low)}$  threshold is used by converters which incorporate a relatively high-impedance driver for the *wake-up* signal, while the upper  $V_{WU(high)}$  threshold may be used in converters with a low-impedance *wake-up* driver. Both thresholds work exactly the same way. The advantage of the upper threshold is that the UCC28730 is qualified to accept a strong *wake-up* signal without waiting additional time for the resonant ringing to diminish below the lower threshold.

[Figure 20](#) illustrates the qualification delay period and *wake-up* response to a low-level *wake-up* signal. [Figure 21](#) illustrates the qualification delay period and *wake-up* response to a high-level *wake-up* signal.



**Figure 20. Wake-Up Qualification Criteria and Wake-Up Response with Low Wake-Up Signal**



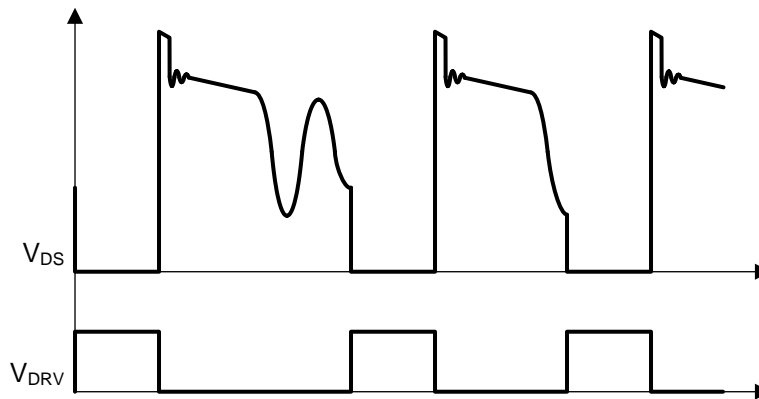
**Figure 21. Wake-Up Qualification Criteria and Wake-Up Response with High Wake-Up Signal**

## Feature Description (continued)

### 7.3.6 Valley-Switching and Valley-Skipping

The UCC28730 utilizes valley-switching to reduce switching losses in the MOSFET, to reduce induced-EMI, and to minimize the turn-on current spike at the current-sense resistor. The controller operates in valley-switching in all load conditions unless the  $V_{DS}$  ringing is diminished to the point where valleys are no longer detectable.

As shown in [Figure 22](#), the UCC28730 operates in a valley-skipping mode (also known as valley-hopping) in most load conditions to maintain an accurate voltage or current regulation point and still switch on the lowest available  $V_{DS}$  voltage.



**Figure 22. Valley-Skipping Mode**

Valley-skipping modulates each switching cycle into discrete period durations. During FM operation, the switching cycles are periods when energy is delivered to the output in fixed packets, and the power delivered varies inversely with the switching period. During operating conditions when the switching period is relatively short, such as at high-load and low-line, the average power delivered per cycle varies significantly based on the number of valleys skipped between cycles. As a consequence, valley-skipping adds additional low-amplitude ripple voltage to the output with a frequency dependent upon the rate of change of the bulk voltage. For a load with an average power level between that of cycles with fewer valleys skipped and cycles with more valleys skipped, the voltage-control loop modulates the control law voltage and toggles between longer and shorter switching periods to match the required average output power.

### 7.3.7 Startup Operation

An internal high-voltage startup switch, connected to the bulk capacitor voltage ( $V_{BULK}$ ) through the HV pin, charges the VDD capacitor. This startup switch functions similarly to a current source providing typically 250  $\mu$ A to charge the VDD capacitor. When  $V_{VDD}$  reaches the 21-V UVLO turn-on threshold, the controller is enabled, the converter starts switching, and the startup switch turns off.

At initial turn-on, the output capacitor is often in a fully-discharged state. The first 4 switching-cycle current peaks are limited to  $I_{PP(min)}$  to monitor for any initial input or output faults with limited power delivery. After these 4 cycles, if the sampled voltage at VS is less than 1.32 V, the controller operates in a special startup mode. In this mode, the primary-current-peak amplitude of each switching cycle is limited to approximately  $0.67 \times I_{PP(max)}$  and  $D_{MAGCC}$  increases from 0.432 to 0.650. These modifications to  $I_{PP(max)}$  and  $D_{MAGCC}$  during startup allow high-frequency charge-up of the output capacitor to avoid audible noise while the demagnetization voltage is low. Once the sampled VS voltage exceeds 1.36 V,  $D_{MAGCC}$  is restored to 0.432 and the primary-current peak resumes as  $I_{PP(max)}$ . While the output capacitor charges, the converter operates in CC mode to maintain a constant output current until the output voltage enters regulation. Thereafter, the controller responds to conditions as dictated by the control law. The time to reach output regulation consists of the time the VDD capacitor charges to  $V_{VDD(on)}$  plus the time the output capacitor charges.

## Feature Description (continued)

### 7.3.8 Fault Protection

The UCC28730 provides comprehensive fault protection. The protection functions include:

1. Output Overvoltage
2. Input Undervoltage
3. Internal Overtemperature
4. Primary Overcurrent fault
5. CS-pin Fault
6. VS-pin Fault

A UVLO reset and restart sequence applies to all fault-protection events.

The output-overvoltage function is determined by the voltage feedback on the VS pin. If the voltage sample of VS exceeds 4.6 V for three consecutive switching cycles, the device stops switching and the internal current consumption becomes  $I_{\text{FAULT}}$  which discharges the VDD capacitor to the UVLO-turn-off threshold. After that, the device returns to the start state and a start-up sequence ensues.

Current into the VS pin during the MOSFET on time determines the line-input run and stop voltages. While the VS pin clamps close to GND during the MOSFET on time, the current through  $R_{\text{S1}}$  is monitored to determine a sample of  $V_{\text{BULK}}$ . A wide separation of the run and stop thresholds allows clean start-up and shut-down of the power supply with line voltage. The run-current threshold is 225  $\mu\text{A}$  and the Stop-current threshold is 80  $\mu\text{A}$ . The input AC voltage to run at start-up always corresponds to the peak voltage of the rectified line, because there is no loading on  $C_{\text{BULK}}$  before start-up. The AC input voltage to stop varies with load since the minimum  $V_{\text{BULK}}$  depends on the loading and the value of  $C_{\text{BULK}}$ . At maximum load, the stop voltage is close to the run voltage, but at no-load condition the stop voltage can be approximately 1/3 of the run voltage.

The UCC28730 always operates with cycle-by-cycle primary-peak current control. The normal operating range of the CS pin is 0.74 to 0.249 V. An additional protection occurs if the CS pin reaches 1.5 V after the leading-edge blanking interval for three consecutive cycles, which results in a UVLO reset and restart sequence.

Normally at initial start-up, the peak level of the primary current of the first four power cycles is limited to the minimum  $V_{\text{CST}(\text{min})}$ . If the CS input is shorted or held low such that the  $V_{\text{CST}(\text{min})}$  level is not reached within 4  $\mu\text{s}$  on the first cycle, the CS input is presumed to be shorted to GND and the fault protection function results in a UVLO reset and restart sequence. Similarly, if the CS input is open, the internal voltage is pulled up to 1.5 V for three consecutive switching cycles and the fault protection function results in a UVLO reset and restart sequence.

The internal overtemperature-protection threshold is 165°C. If the junction temperature reaches this threshold, the device initiates a UVLO-reset cycle. If the temperature is still high at the end of the UVLO cycle, the protection cycle repeats.

Protection is included in the event of component failures on the VS pin. If complete loss of feedback information on the VS pin occurs, the controller stops switching and restarts.

## 7.4 Device Functional Modes

According to the input voltage, the VDD voltage, and the output load conditions, the device can operate in different modes:

1. At start-up, when VDD is less than the  $V_{VDD(on)}$  turn-on threshold, the HV internal current source is on and charging the VDD capacitor at a  $(I_{HV} - I_{START})$  rate.
2. When VDD exceeds  $V_{VDD(on)}$ , the HV source is turned Off and the device starts switching to deliver power to the converter output. Depending on the load conditions, the converter operates in CC mode or CV mode.
  1. CC mode means that the converter keeps the output current constant. When the output voltage is below the regulation level, the converter operates in CC mode to restore the output to the regulation voltage.
  2. CV mode means that the converter keeps the output voltage constant. When the load current is less than the current limit level, the converter operates in CV mode to keep the output voltage at the regulation level over the full load and input line ranges.
3. When operating in CV or CC mode where  $I_{PP}$  is greater than  $0.55 \times I_{PP(max)}$ , the UCC28730 operates continuously in the run state. In this state, the VDD bias current is always at  $I_{RUN}$  plus the average gate-drive current.
4. When operating in CV mode where  $I_{PP}$  is less than  $0.55 \times I_{PP(max)}$ , the UCC28730 operates in the Wait state between switching cycles and in the run state during a switching cycle. In the Wait state, the VDD bias current is reduced to  $I_{WAIT}$  after each switching cycle to improve efficiency at light loads.
5. The device operation can be stopped by the events listed below:
  1. If VDD drops below the  $V_{VDD(off)}$  threshold, the device stops switching, its bias current consumption is lowered to  $I_{START}$  and the internal HV current source is turned on until VDD rises above the  $V_{VDD(on)}$  threshold. The device then resumes switching.
  2. If a fault condition is detected, the device stops switching and its bias current consumption is lowered to  $I_{FAULT}$ . This current level slowly discharges VDD to  $V_{VDD(off)}$  where the bias current changes from  $I_{FAULT}$  to  $I_{START}$  and the internal HV current source is turned on until VDD rises above the  $V_{VDD(on)}$  threshold.
6. If a fault condition persists, the operation sequence described above repeats until the fault condition or the input voltage is removed.



## Typical Application (continued)

### 8.2.1 Design Requirements

Table 1 lists a typical subset of high-level design requirements for a particular converter, of which many of the parameter values are used in the various design equations in this section.

**Table 1. Design Example Performance Requirements**

| PARAMETER     |                                  | CONDITIONS  | MIN  | NOM       | MAX  | UNITS     |
|---------------|----------------------------------|---|------|-----------|------|-----------|
| $V_{IN}$      | AC-Line Input Voltage            |   | 85   | 115 / 230 | 264  | $V_{RMS}$ |
| $f_{LINE}$    | Line Frequency                   |   | 47   | 50 / 60   | 63   | Hz        |
| $V_{OCV}$     | Output Voltage, CV Mode          | $V_{IN(min)} \leq V_{IN} \leq V_{IN(max)}$ , $I_{OUT} \leq I_{OCC}$             | 4.75 | 5.0       | 5.25 | V         |
| $I_{OCC}$     | Output Current, CC Mode          | $V_{IN(min)} \leq V_{IN} \leq V_{IN(max)}$ , $I_{OUT} = I_{OCC}$                | 2.0  | 2.1       | 2.2  | A         |
| $V_{RIPPLE}$  | Output Voltage Ripple            | $V_{IN(min)} \leq V_{IN} \leq V_{IN(max)}$ , $I_{OUT} \leq I_{OCC}$             |      |           | 80   | $mV_{pp}$ |
|               | Output Over-Voltage Limit        |   |      | 5.6       |      | V         |
|               | Output Over-Current Limit        |   |      | 2.1       |      | A         |
| $V_{IN(run)}$ | Start-Up Input Voltage           | $I_{OUT} = I_{OCC}$   |      | 72        |      | $V_{RMS}$ |
| $V_{OCC}$     | Minimum Output Voltage, CC Mode  | $I_{OUT} = I_{OCC}$   |      |           | 2    | V         |
| $\eta_{AVG}$  | Average Efficiency               | Average of 25%, 50%, 75% 100% Load, at $V_{IN} = 115 V_{RMS}$ and 230 $V_{RMS}$ | 80%  |           |      |           |
| $\eta_{10}$   | Light-Load Efficiency            | At 10 % Load, at $V_{IN} = 115 V_{RMS}$ and 230 $V_{RMS}$                       | 75%  |           |      |           |
| $P_{STBY}$    | Stand-by Input Power Consumption | At $V_{IN} = 115 V_{RMS}$ and 230 $V_{RMS}$                                     |      |           | 4.5  | mW        |

Many other necessary design parameters, such as  $f_{MAX}$  and  $V_{BULK(min)}$  for example, may not be listed in such a table. These values may be selected based on design experience or other considerations, and may be iterated to obtain optimal results.

## 8.2.2 Detailed Design Procedure

This procedure outlines the steps to design a constant-voltage, constant-current flyback converter using the UCC28730 controller. Refer to [Figure 23](#) for component names and network locations. The design procedure equations use terms that are defined below. The primary-side and secondary-side snubbers or clamps are not designed in this procedure.

### 8.2.2.1 Stand-By Power Estimate

The extra-low operating frequency capability and minimal bias power of the UCC28730, in conjunction with its companion micro-power *wake-up* device UCC24650, allow for the achievement of less than 5-mW input stand-by power consumption under no-load conditions. This is often referred to as *zero-power* stand-by.

Assuming that no-load stand-by power is a critical design parameter, determine the estimated no-load input power based on the target maximum switching frequency and the maximum output power. The following equation estimates the stand-by power of the converter.

$$P_{\text{STBY}} = \frac{V_{\text{OCV}} \times I_{\text{OCC}} \times f_{\text{MIN}}}{\eta_{\text{SB}} \times K_{\text{AM}}^2 \times f_{\text{MAX}}} \quad (7)$$

For a typical flyback converter,  $\eta_{\text{SB}}$  may range between 0.5 and 0.7, but the lower factor should be used for an initial estimate. Also,  $f_{\text{MIN}}$  should be estimated at 3x to 4x  $f_{\text{SW}(\text{min})}$  to allow for possible parameter adjustment.

If the  $P_{\text{STBY}}$  calculation result is well below 5 mW, there is an excellent chance of achieving *zero-power* stand-by in the actual converter. If the result is near 5 mW, some design adjustment to  $f_{\text{MAX}}$ ,  $f_{\text{MIN}}$ , and  $\eta_{\text{SB}}$  may be needed to achieve *zero-power*. If the result is well above 5 mW, there is little chance to achieve *zero-power* at the target power level unless additional special circuitry and design effort is applied.

### 8.2.2.2 Input Bulk Capacitance and Minimum Bulk Voltage

Bulk capacitance may consist of one or more capacitors connected in parallel, often with some inductance between them to suppress differential-mode conducted noise. EMI filter design is beyond the scope of this procedure.

Determine the minimum voltage on the input capacitance,  $C_{\text{B1}}$  and  $C_{\text{B2}}$  total, in order to determine the maximum  $N_{\text{P}}$  to  $N_{\text{S}}$  turns ratio of the transformer. The input power of the converter based on target full-load efficiency, minimum input RMS voltage, and minimum AC input frequency are used to determine the input capacitance value.

Maximum input power is used in the  $C_{\text{BULK}}$  calculation and is determined by the  $V_{\text{OCV}}$ ,  $I_{\text{OCC}}$ , and full-load efficiency targets.

$$P_{\text{IN}} = \frac{V_{\text{OCV}} \times I_{\text{OCC}}}{\eta} \quad (8)$$

The below equation provides an accurate solution for input capacitance needed to achieve a minimum bulk valley voltage target  $V_{\text{BULK}(\text{min})}$ , accounting for hold-up during any loss of AC power for a certain number of half-cycles,  $N_{\text{HC}}$ , by an AC-line drop-out condition. Alternatively, if a given input capacitance value is prescribed, iterate the  $V_{\text{BULK}(\text{min})}$  value until that target capacitance is obtained, which determines the  $V_{\text{BULK}(\text{min})}$  expected for that capacitance.

$$C_{\text{BULK}} \geq \frac{2P_{\text{IN}} \times \left( 0.25 + 0.5 N_{\text{HC}} + \frac{1}{2\pi} \times \arcsin \left( \frac{V_{\text{BULK}(\text{min})}}{\sqrt{2} \times V_{\text{IN}(\text{min})}} \right) \right)}{(2 V_{\text{IN}(\text{min})}^2 - V_{\text{BULK}(\text{min})}^2) \times f_{\text{LINE}}} \quad (9)$$

### 8.2.2.3 Transformer Turns Ratio, Inductance, Primary-Peak Current

The maximum primary-to-secondary turns ratio can be determined by the target maximum switching frequency at full load, the minimum input capacitor bulk voltage, and the estimated DCM resonant time.

First, determine the maximum duty cycle of the MOSFET based on the target maximum switching frequency,  $f_{MAX}$ , the secondary conduction duty cycle,  $D_{MAGCC}$ , and the DCM resonant period,  $t_R$ . For  $t_R$ , assume  $2 \mu s$  (500-kHz resonant frequency), if you do not have an estimate from experience or previous designs. For the transition mode operation limit, the time interval from the end of the secondary current conduction to the first resonant valley of the  $V_{DS}$  voltage is  $\frac{1}{2}$  of the DCM resonant period, or  $1 \mu s$  assuming 500 kHz. Actual designs vary.  $D_{MAX}$  can be determined using Equation 10.

$$D_{MAX} = 1 - D_{MAGCC} - \left( \frac{t_R}{2} \times f_{MAX} \right) \quad (10)$$

$D_{MAGCC}$  is defined as the secondary diode conduction duty cycle during constant current, CC, operation. In the UCC28730, it is fixed internally at 0.432. Once  $D_{MAX}$  is known, the ideal turns ratio of the primary-to-secondary windings can be determined with the equation below. The total voltage on the secondary winding needs to be determined, which is the total of  $V_{OCV}$ , the secondary rectifier drop  $V_F$ , and cable compensation voltage  $V_{OCBC}$ , if used. For 5-V USB charger applications, for example, a turns ratio in the range of 13 to 15 is typically used.

$$N_{PS(ideal)} = \frac{D_{MAX} \times V_{BULK(min)}}{D_{MAGCC} \times (V_{OCV} + V_F + V_{OCBC})} \quad (11)$$

The actual turns ratio depends on the actual number of turns on each of the transformer windings. Choosing  $N_{PS} > N_{PS(ideal)}$  results in an output power limit lower than  $(V_{OCV} \times I_{OCC})$  when operating at  $V_{IN(min)}$ , and line-frequency ripple may appear on  $V_{OUT}$ . Choosing  $N_{PS} < N_{PS(ideal)}$  allows full-power regulation down to  $V_{IN(min)}$ , but increases conduction losses and the reverse voltage stress on the output rectifier.

Once the actual turns ratio is determined from a detailed transformer design, use this ratio for the following parameter calculations.

The UCC28730 constant-current regulation is achieved by maintaining a maximum  $D_{MAGCC}$  duty cycle of 0.432 at the maximum primary current setting. The transformer turns ratio and constant-current regulating factor determine the current-sense resistor,  $R_{CS}$ , for a regulated constant-current target,  $I_{OCC}$ . Actual implementation of  $R_{CS}$  may consist of multiple parallel resistors to meet power rating and accuracy requirements.

Because not all of the energy stored in the transformer is transferred to the secondary output, a transformer efficiency term,  $\eta_{XFMR}$ , is used to account for the core and winding loss ratio, leakage inductance loss ratio, and primary bias power ratio with respect to the rated output power. At full load, an overall transformer efficiency estimate of 0.91, for example, includes ~3% leakage inductance loss, ~5% core and winding loss, and ~1% bias power. Actual loss ratios may vary from this example.

$$R_{CS} = \frac{V_{CCR} \times N_{PS}}{2I_{OCC}} \times \sqrt{\eta_{XFMR}} \quad (12)$$

The primary-transformer inductance can be calculated using the standard energy storage equation for flyback transformers. Primary current, maximum switching frequency and output and transformer power losses are included in the equation below.

Initially, determine the transformer peak primary current,  $I_{PP(max)}$ .

Peak-primary current is simply the maximum current-sense threshold divided by the current-sense resistance.

$$I_{PP(max)} = \frac{V_{CST(max)}}{R_{CS}} \quad (13)$$

Then, calculate the primary inductance of the transformer,  $L_P$ .

$$L_P = \frac{2 \times (V_{OCV} + V_F + V_{OCBC}) \times I_{OCC}}{I_{PP(max)}^2 \times f_{MAX} \times \eta_{XFMR}} \quad (14)$$

The auxiliary winding to secondary winding turns ratio,  $N_{AS}$ , is determined by the lowest target operating output voltage in constant current regulation, the VDD turn-off threshold of the UCC28730, and the forward diode drops in the respective winding networks.

$$N_{AS} = \frac{V_{VDD(off)} + V_{FA}}{V_{OCC} + V_F} \quad (15)$$



There is additional energy supplied to VDD from the transformer leakage inductance energy which may allow a lower turns ratio to be used in many designs.

#### 8.2.2.4 Transformer Parameter Verification

The transformer turns ratio selected affects the MOSFET  $V_{DS}$  and secondary rectifier reverse voltage  $V_{REV}$ , these should be reviewed.

The secondary rectifier reverse voltage stress is determined by the equation below. A snubber around the rectifier may be necessary to suppress any voltage spike, due to secondary leakage inductance, which adds to  $V_{REV}$ .

$$V_{REV} = \frac{V_{IN(max)} \times \sqrt{2}}{N_{PS}} + V_{OCV} + V_{OCBC} \quad (16)$$

For the MOSFET  $V_{DS}$  peak stress, an estimated leakage inductance voltage spike,  $V_{LK}$ , should to be included.

$$V_{DSPK} = (V_{IN(max)} \times \sqrt{2}) + (V_{OCV} + V_F + V_{OCBC}) \times N_{PS} + V_{LK} \quad (17)$$

In the high-line, minimum-load condition, the UCC28730 requires a minimum on-time of the MOSFET ( $t_{ON(min)}$ ) and minimum demagnetization time of the secondary rectifier ( $t_{DMAG(min)}$ ). The selection of  $f_{MAX}$ ,  $L_P$  and  $R_{CS}$  affects the actual minimum  $t_{ON}$  and  $t_{DMAG}$  achieved. The following equations are used to determine if the minimum  $t_{ON}$  is greater than  $t_{CSLEB}$  and minimum  $t_{DMAG}$  target of  $>1.2 \mu s$  is achieved.

$$t_{ON(min)} = \frac{L_P}{V_{IN(max)} \times \sqrt{2}} \times \frac{I_{PP(max)}}{K_{AM}} \quad (18)$$

$$t_{DMAG(min)} = \frac{t_{ON(min)} \times V_{IN(max)} \times \sqrt{2}}{N_{PS} \times (V_{OCV} + V_F)} \quad (19)$$

#### 8.2.2.5 Output Capacitance

With ordinary flyback converters, the output capacitance value is typically determined by the transient response requirement for a specific load step,  $I_{TRAN}$ , sometimes from a no-load condition. For example, in some USB charger applications, there is requirement to maintain a transient minimum  $V_O$  of 4.1 V with a load-step of 0 mA to 500 mA. Equation 20 below assumes that the switching frequency can be at the UCC28730 minimum of  $f_{SW(min)}$ .

$$C_{OUT(No\_Wake)} \geq \frac{I_{TRAN} \left( \frac{1}{f_{SW(min)}} + 150 \mu s \right)}{V_{O\Delta}} \quad (20)$$

This results in a  $C_{OUT}$  value of over 17,000  $\mu F$ , unless a substantial pre-load is used to raise the minimum switching frequency. However, the *wake-up* feature allows the use of a much smaller value for  $C_{OUT}$  because the *wake-up* response immediately cancels the Wait state and provides high-frequency power cycles to recover the output voltage from the load transient. The secondary-side voltage monitor UCC24650 provides the UCC28730 with a *wake-up* signal when it detects a -3% droop in output voltage.

$$C_{OUT} \geq \frac{1.2 \times I_{TRAN}}{(dV_{OUT}/dt)}$$

where

- $(dV_{OUT}/dt)$  is the slope at which the UCC24650 must detect the  $V_{OUT}$  droop. Use a slope factor of 3700 V/s or lower for this calculation. (21)

The UCC28730 incorporates internal voltage-loop compensation circuits so that external compensation is not necessary, provided that the value of  $C_{OUT}$  is high enough. The following equation determines a minimum value of  $C_{OUT}$  necessary to maintain a phase margin of about 40 degrees over the full-load range.  $K_{Co}$  is a dimensionless factor which has a value of 100.

$$C_{OUT} \geq K_{Co} \times \frac{I_{OCC}}{V_{OCV} \times f_{MAX}} \quad (22)$$

Another consideration for selecting the output capacitor(s) is the maximum ripple voltage requirement,  $V_{\text{RIPPLE(max)}}$ , which is reviewed based on the maximum output load, the secondary-peak current, and the equivalent series resistance (ESR) of the capacitor. The two major contributors to the output ripple voltage are the change in  $V_{\text{OUT}}$  due to the charge and discharge of  $C_{\text{OUT}}$  between each switching cycle and the step in  $V_{\text{OUT}}$  due to the ESR of  $C_{\text{OUT}}$ . TI recommends an initial allocation of 33% of  $V_{\text{RIPPLE(max)}}$  to ESR, 33% to  $C_{\text{OUT}}$ , and the remaining 33% to account for additional low-level ripple from EMI-dithering, valley-hopping, sampling noise and other random contributors. In Equation 23, a margin of 50% is applied to the capacitor ESR requirement to allow for aging. In Equation 24, set  $\Delta V_{\text{CQ}} = 0.33 \times V_{\text{RIPPLE(max)}}$  to determine the minimum value of  $C_{\text{OUT}}$  with regard to ripple voltage limitation. If other allocations of the allowable ripple voltage are desired, these equations may be adjusted accordingly.

$$\text{ESR} \leq \frac{0.33 \times V_{\text{RIPPLE(max)}}}{I_{\text{PP(max)}} \times N_{\text{PS}}} \times 0.50 \quad (23)$$

$$C_{\text{OUT}} \geq \frac{I_{\text{OCC}}}{\Delta V_{\text{CQ}} \times f_{\text{MAX}}} \quad (24)$$

Choose the largest value of the previous  $C_{\text{OUT}}$  calculations for the minimum output capacitance. If the value of  $C_{\text{OUT}}$  becomes excessive to meet a stringent ripple limitation, a C-L-C pi-filter arrangement can be considered to as an alternative to a simple capacitor-only filter. This arrangement is beyond the scope of this datasheet.

### 8.2.2.6 VDD Capacitance, $C_{\text{VDD}}$

A capacitor is required on VDD to provide:

1. Run-state bias current during start-up while VDD falls toward UVLO, until  $V_{\text{OCC}}$  is reached,
2. Wait-state bias current between steady-state low-frequency power cycles and
3. Wait-state bias current between minimum-frequency power cycles while  $V_{\text{OUT}}$  recovers from a transient overshoot.

Generally, the value to satisfy (3) also satisfies (2) and (1), however the value for (1) may be the largest if the converter must provide high output current at a voltage below  $V_{\text{OCC}}$  during power up.

The capacitance on VDD needs to supply the device operating current until the output of the converter reaches the target minimum operating voltage in constant-current regulation,  $V_{\text{OCC}}$ . At that point, the auxiliary winding can sustain the bias voltage to the UCC28730 above the UVLO shutdown threshold. The total current available to charge the output capacitors and supply an output load and is the constant-current regulation target,  $I_{\text{OCC}}$ .

Equation 25 assumes that all of the output current of the flyback is available to charge the output capacitance until the minimum output voltage is achieved. For margin, there is an estimated 1 mA of average gate-drive current added to the run current and 1 V added to the minimum VDD.

$$C_{\text{VDD}} \geq \frac{(I_{\text{RUN}} + 1 \text{ mA}) \times \frac{C_{\text{OUT}} \times V_{\text{OCC}}}{I_{\text{OCC}}}}{V_{\text{VDD(on)}} - (V_{\text{VDD(off)}} + 1 \text{ V})} \quad (25)$$

At light loads, the UCC28730 enters a Wait-state between power cycles to minimize bias power and improve efficiency. Equation 26 estimates the minimum capacitance needed to obtain a target maximum ripple voltage on VDD ( $V_{\text{VDD(max}\Delta)} < 1 \text{ V}$ , for example) during the Wait state, which occurs at the lowest possible switching frequency.

$$C_{\text{VDD}} \geq \frac{I_{\text{WAIT}}}{V_{\text{VDD(max}\Delta)} \times f_{\text{SW(min)}}} \quad (26)$$

Choose the largest value of the previous  $C_{\text{VDD}}$  calculations for the minimum VDD capacitance.

### 8.2.2.7 VS Resistor Divider, Line Compensation, and Cable Compensation

The VS divider resistors determine the output voltage regulation point of the flyback converter. Also, the high-side divider resistor,  $R_{\text{S1}}$ , determines the line voltage at which the controller enables continuous DRV operation.  $R_{\text{S1}}$  is initially determined based on the transformer primary to auxiliary turns ratio and the desired input voltage operating threshold.

$$R_{\text{S1}} = \frac{\sqrt{2} \times V_{\text{IN(run)}}}{N_{\text{PA}} \times I_{\text{VSL(run)}}} \quad (27)$$

The low-side VS divider resistor,  $R_{S2}$ , is selected based on the desired constant-voltage output regulation target,  $V_{OCV}$ .

$$R_{S2} = \frac{R_{S1} \times V_{VSR}}{N_{AS} \times (V_{OCV} + V_F) - V_{VSR}} \quad (28)$$

The UCC28730 can maintain tight constant-current regulation over input line by utilizing the line compensation feature. The line compensation resistor value,  $R_{LC}$ , is determined by various system parameters and the combined gate-drive turn-off and MOSFET turn-off delays,  $t_D$ . Assume a 50-ns internal propagation delay in the UCC28730.

$$R_{LC} = \frac{K_{LC} \times R_{S1} \times R_{CS} \times N_{PA} \times t_D}{L_p} \quad (29)$$

The UCC28730 provides adjustable cable compensation of up to approximately +8% of  $V_{OCV}$  by connecting a resistor between the CBC terminal and GND. This compensation voltage,  $V_{OCBC}$ , represents the incremental increase in voltage, above the nominal no-load output voltage, needed to cancel or reduce the incremental decrease in voltage at the end of a cable due to its resistance. The programming resistance required for the desired cable compensation level at the converter output terminals can be determined using the equation below. As the load current changes, the cable compensation voltage also changes slowly to avoid disrupting control of the main output voltage. A sudden change in load current will induce a step change of output voltage at the end of the cable until the compensation voltage adjusts to the required level. Note that the cable compensation does not change the overvoltage protection (OVP) threshold,  $V_{OVP}$  (see [Electrical Characteristics](#)), so the operating margin to OVP is less when cable compensation is used. If cable compensation is not required, CBC may remain unconnected.

$$R_{CBC} = \frac{V_{CBC(max)}}{V_{OCBC} \times \frac{V_{VSR}}{(V_{OCV} + V_F)}} \times 3 \text{ k}\Omega - 28 \text{ k}\Omega \quad (30)$$

### 8.2.2.8 VS Wake-Up Detection

The amplitude of the *wake-up* signal at the VS input must be high enough to be detected. This signal, which originates on the secondary winding, is limited by the impedances of the *wake-up* signal driver and the L-C resonant tank of the transformer windings. The signal is further attenuated by the VS divider resistors. To maximize the *wake-up* signal amplitude, the pulse width,  $t_{WAKE}$ , of the *wake-up* signal should be at least 1/4-wavelength of the switched-node resonant frequency,  $f_{RES}$ . The resonant frequency depends on the primary magnetizing inductance and the total equivalent capacitance at the switching node, that is, the primary-side MOSFET drain node. The switched-node capacitance,  $C_{SWN}$ , includes the MOSFET  $C_{OSS}$ , the transformer winding capacitance, and all other stray circuit capacitance attached to the MOSFET drain. Use [Equation 31](#) to determine  $f_{RES}$ . Conversely, if  $f_{RES}$  is known by experience or measurement,  $C_{SWN}$  can be derived from [Equation 31](#).

$$f_{RES} = \frac{1}{2\pi\sqrt{L_p \times C_{SWN}}} \quad (31)$$

Since the *wake-up* pulse width is typically fixed by the driver device, such as the UCC24650, maximum signal strength is obtained when [Equation 32](#) is true. Since  $L_p$  is generally fixed by other system requirements, only  $C_{SWN}$  can be reduced to increase  $f_{RES}$ , if necessary.

$$f_{RES} \geq \frac{1}{4 \times t_{WAKE}} \quad (32)$$

[Equation 33](#) is used to ensure that there is sufficient amplitude at the VS input to reliably trigger the *wake-up* function, where  $R_{WAKE\_TOT}$  is the total secondary-side resistance of the *wake-up* signal driver and any series resistance. An over-drive of 15 mV is added to the *wake-up* threshold level for margin.

$$\sqrt{\frac{L_p}{C_{SWN}}} \geq \left[ \frac{R_{WAKE\_TOT} \times N_{PS}^2}{\frac{V_{OUT} \times N_{AS}}{(V_{WU(low)} + 15\text{mV}) \times \left(\frac{R_{S1}}{R_{S2}} + 1\right)} - 1} \right] \quad (33)$$

### 8.2.3 Application Curves

The following figures indicate the transient response of a 5-V, 10-W flyback converter which receives a pulsed step-load of 2 A while operating in the no-load stand-by condition. Figure 27 indicates the no-load stand-by input power consumption achieved by this converter over the full AC input range. Zero-Power operation is achieved while retaining fast transient response to a full load step.

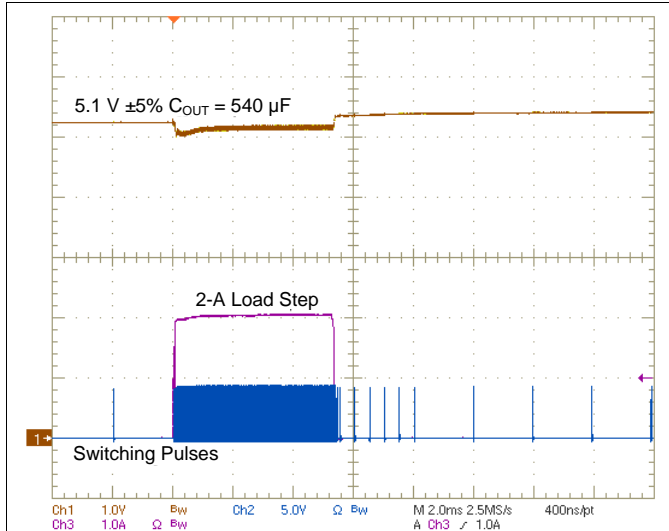


Figure 24. 2-A Load Step During Stand-by Operation

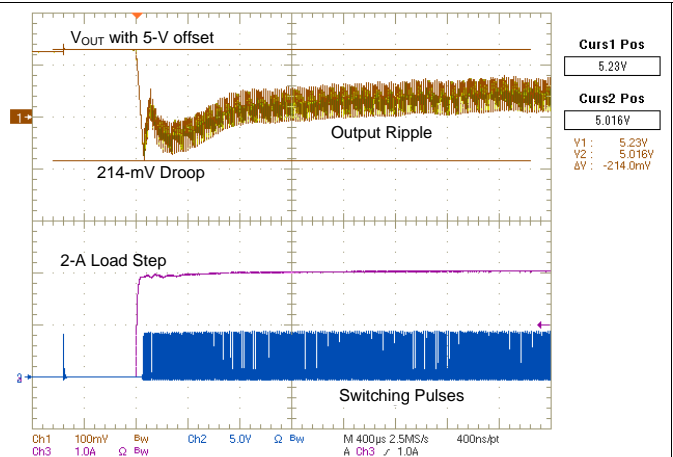


Figure 25. Transient Response Detail for 2-A Load Step

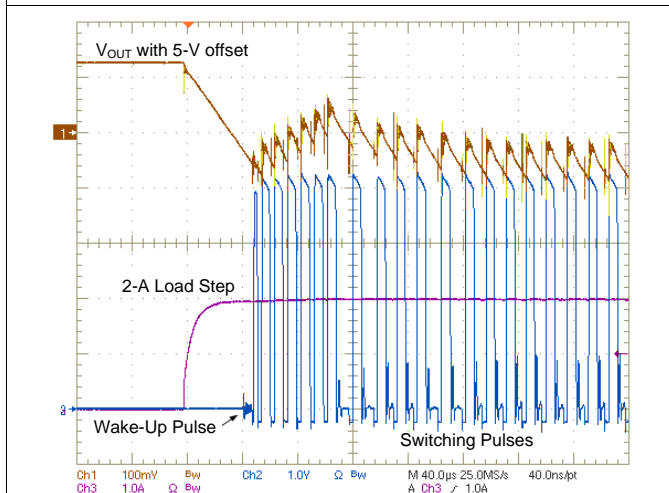


Figure 26. Wake-Up Pulse Triggering Response from UCC28730 Primary-Side Controller

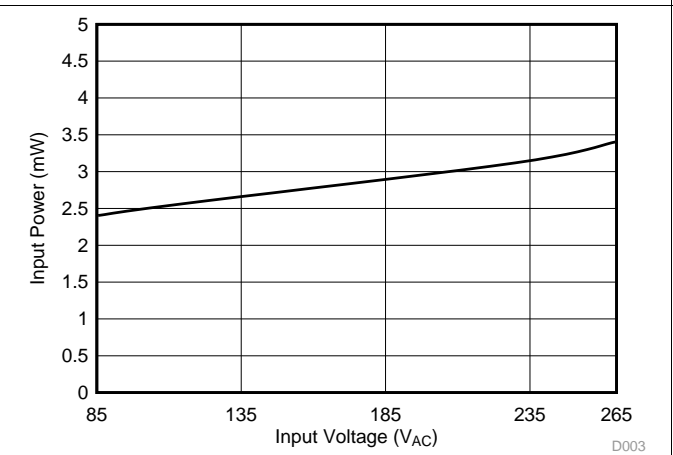


Figure 27. No-Load Input Power Consumption for a 5-V, 10-W Converter

### 8.3 Do's and Don'ts

- During no-load operation, do allow sufficient margin for variations in VDD level to avoid the UVLO shutdown threshold. Also, at no-load, keep the average switching frequency,  $\langle f_{SW} \rangle$ , greater than  $2 \times f_{SW(min)}$  to avoid a rise in output voltage.
- Do clean flux residue and contaminants from the PCB after assembly. Uncontrolled leakage current from VS to GND causes the output voltage to increase, while leakage current from HV or VDD to VS causes output voltage to decrease.
- If ceramic capacitors are used for VDD, do use quality parts with X7R or X5R dielectric rated 50 V or higher to minimize reduction of capacitance due to dc-bias voltage and temperature variation.
- Do not use leaky components if less than 5-mW stand-by input power consumption is a design requirement.
- Do not probe the VS node with an ordinary oscilloscope probe; the probe capacitance can alter the signal and disrupt regulation. Do observe VS indirectly by probing the auxiliary winding voltage at  $R_{S1}$  and scaling the waveform by the VS divider ratio.

## 9 Power Supply Recommendations

The UCC28730 is intended for AC-to-DC adapters and chargers with input voltage range of  $85 V_{AC(rms)}$  to  $265 V_{AC(rms)}$  using flyback topology. It can also be used in other applications and converter topologies with different input voltages. Be sure that all voltages and currents are within the recommended operating conditions and absolute maximum ratings of the device.

The DRV output normally begins PWM pulses approximately  $55 \mu s$  after VDD exceeds the turn-on threshold  $V_{VDD(on)}$ . Avoid excessive  $dv/dt$  on VDD. Positive  $dv/dt$  greater than  $1 V/\mu s$  may delay the start of PWM. Negative  $dv/dt$  greater than  $1 V/\mu s$  on VDD which does not fall below the UVLO turn-off threshold  $V_{VDD(off)}$  may result in a temporary dip in the output voltage.

## 10 Layout

### 10.1 Layout Guidelines

In order to increase the reliability and feasibility of the project it is recommended to adhere to the following guidelines for PCB layout.

1. Minimize stray capacitance on the VS node. Place the voltage sense resistors ( $R_{S1}$  and  $R_{S2}$  in Figure 24 through Figure 27) close to the VS pin.
2. TI recommends to connect the HV input to a non-switching source of high voltage, not to the MOSFET drain, to avoid injecting high-frequency capacitive current pulses into the device.
3. Arrange the components to minimize the loop areas of the switching currents as much as possible. These areas include such loops as the transformer primary winding current loop, the MOSFET gate-drive loop, the primary snubber loop, the auxiliary winding loop and the secondary output current loop.

### 10.2 Layout Example

The partial layout example of Figure 28 demonstrates an effective component and track arrangement for low-noise operation on a single-layer printed circuit board. Actual board layout must conform to the constraints on a specific design, so many variations are possible.

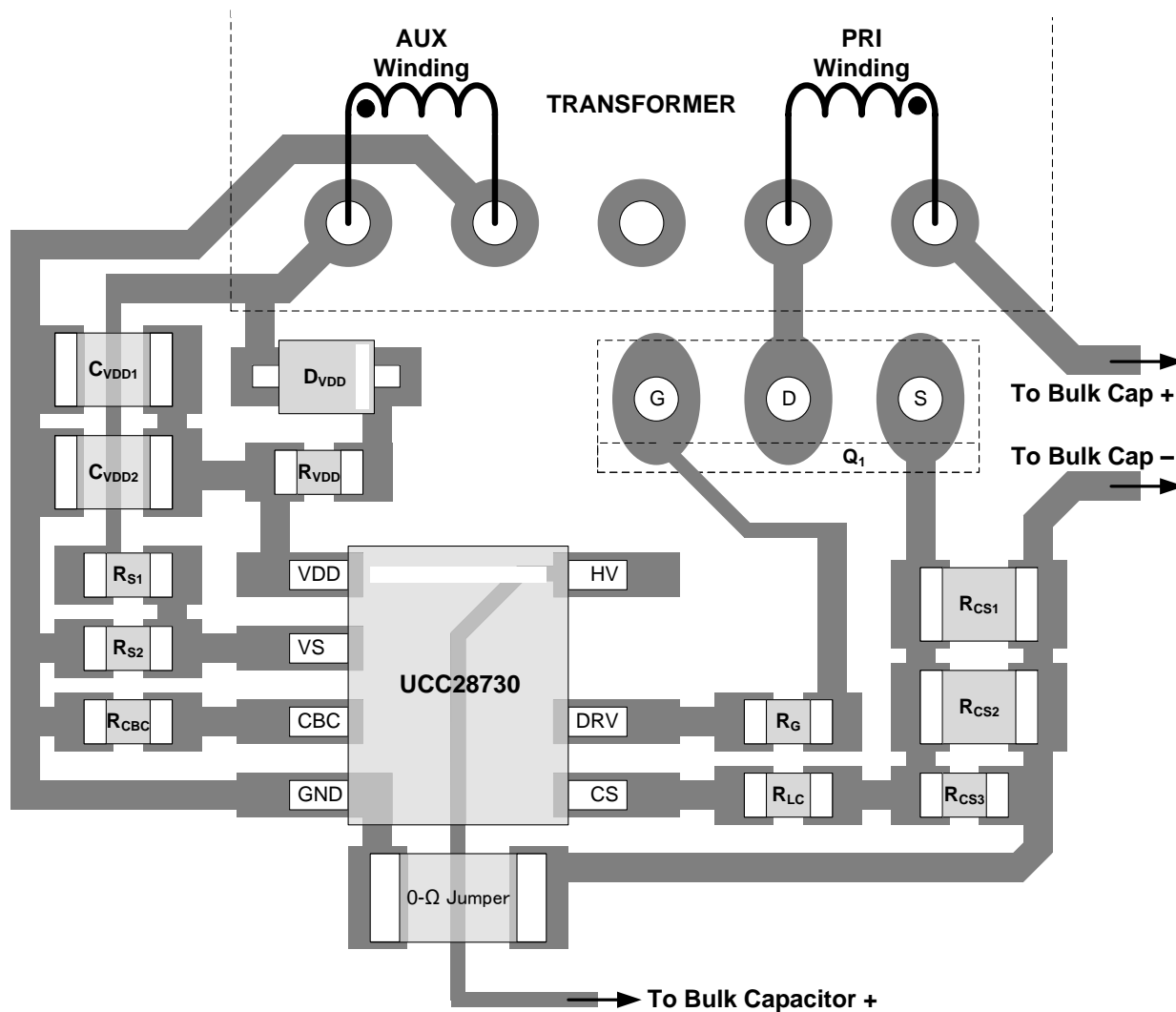


Figure 28. UCC28730 Partial Layout Example

## 11 Device and Documentation Support

### 11.1 Device Support

#### 11.1.1 Development Support

For design tools see the [UCC28730 Design Calculator](#) and [UCC28730 & UCC24650 PSpice Transient Model](#).

#### 11.1.2 Device Nomenclature

##### 11.1.2.1 Capacitance Terms in Farads

- $C_{BULK}$ : total input capacitance of  $C_{B1}$  and  $C_{B2}$
- $C_{VDD}$ : minimum required capacitance on the VDD pin
- $C_{OUT}$ : minimum required output capacitance

##### 11.1.2.2 Duty-Cycle Terms

- $D_{MAGCC}$ : secondary diode conduction duty-cycle constant while in CC mode, = 0.432
- $D_{MAX}$ : maximum allowable MOSFET on-time duty-cycle
- $N_{HC}$ : Number of half-cycles of the AC line frequency during a line drop-out

##### 11.1.2.3 Frequency Terms in Hertz

- $f_{LINE}$ : minimum line frequency
- $f_{MAX}$ : target full-load maximum switching frequency of the converter
- $f_{MIN}$ : actual minimum switching frequency of the converter
- $f_{SW(max)}$ : maximum switching frequency capability of the controller (see [Electrical Characteristics](#))
- $f_{SW(min)}$ : minimum switching frequency capability of the controller (see [Electrical Characteristics](#))

##### 11.1.2.4 Current Terms in Amperes

- $I_{OCC}$ : converter output constant-current target
- $I_{PP(max)}$ : maximum transformer primary peak current
- $I_{START}$ : VDD bias current before start-up (see [Electrical Characteristics](#))
- $I_{TRAN}$ : required positive load-step current
- $I_{WAIT}$ : VDD bias current during the Wait-state (see [Electrical Characteristics](#))
- $I_{VSL(run)}$ : VS pin run current (see [Electrical Characteristics](#))

##### 11.1.2.5 Current and Voltage Scaling Terms

- $K_{AM}$ : ratio of maximum to minimum primary current peak amplitude (see [Electrical Characteristics](#))
- $K_{LC}$ : current scaling constant for line compensation (see [Electrical Characteristics](#))
- $K_{Co}$ : stability factor of 100, used in calculations for  $C_{OUT}$

##### 11.1.2.6 Transformer Terms

- $L_P$ : transformer primary inductance
- $N_{AS}$ : transformer auxiliary to secondary turns ratio
- $N_{PA}$ : transformer primary to auxiliary turns ratio
- $N_{PS}$ : transformer primary to secondary turns ratio

##### 11.1.2.7 Power Terms in Watts

- $P_{IN}$ : maximum input power of the converter at full-load
- $P_{OUT}$ : output power of the converter at full-load
- $P_{STBY}$ : total input power of the converter in stand-by condition

## Device Support (continued)

### 11.1.2.8 Resistance Terms in $\Omega$

- $R_{CS}$ : primary-current programming resistance
- $R_{ESR}$ : total ESR of the output capacitor(s)
- $R_{PL}$ : pre-load resistance on the output of the converter
- $R_{S1}$ : high-side resistance on VS input
- $R_{S2}$ : low-side resistance on VS input

### 11.1.2.9 Timing Terms in Seconds

- $t_D$ : total current-sense delay including MOSFET turn-off delay; add 50 ns to MOSFET delay
- $t_{DMAG(min)}$ : minimum secondary rectifier conduction time (transformer demagnetization time)
- $t_{ON(min)}$ : minimum MOSFET on time
- $t_R$ : period of the resonant ringing after  $t_{DMAG}$

### 11.1.2.10 DC Voltage Terms in Volts

- $V_{BULK}$ : maximum bulk-capacitor voltage for standby power measurement
- $V_{BULK(min)}$ : minimum valley voltage on bulk capacitor(s) at full power
- $V_{OCBC}$ : target cable compensation voltage at the output terminals
- $V_{CBC(max)}$ : maximum voltage at the CBC pin at maximum output current (see [Electrical Characteristics](#))
- $V_{CCR}$ : constant-current regulating factor voltage (see [Electrical Characteristics](#))
- $V_{CST(max)}$ : CS pin maximum current-sense threshold (see [Electrical Characteristics](#))
- $V_{CST(min)}$ : CS pin minimum current-sense threshold (see [Electrical Characteristics](#))
- $V_{VDD(off)}$ : UVLO turn-off threshold voltage (see [Electrical Characteristics](#))
- $V_{VDD(on)}$ : UVLO turn-on threshold voltage (see [Electrical Characteristics](#))
- $V_{VDD(max\Delta)}$ : maximum drop in VDD voltage between switching cycles during Wait state
- $V_{O\Delta}$ : output voltage drop allowed during an output load transient
- $V_{DSPK}$ : peak MOSFET drain-to-source voltage at high line
- $V_F$ : secondary rectifier forward voltage drop at near-zero current
- $V_{FA}$ : auxiliary rectifier forward voltage drop
- $V_{LK}$ : estimated reset voltage of primary leakage inductance energy
- $V_{OCV}$ : regulated output voltage of the converter
- $V_{OCC}$ : target lowest output voltage in constant-current regulation
- $V_{REV}$ : peak reverse voltage on the secondary rectifier
- $V_{RIPPLE}$ : output peak-to-peak ripple voltage at full-load
- $V_{VSR}$ : constant-voltage regulating level at the VS input (see [Electrical Characteristics](#))
- $\Delta V_{CQ}$ : allowable change in  $C_{OUT}$  voltage due to load discharge between switching cycles

### 11.1.2.11 AC Voltage Terms in Volts

- $V_{IN(max)}$ : maximum AC input voltage to the converter
- $V_{IN(min)}$ : minimum AC input voltage to the converter
- $V_{IN(run)}$ : converter start-up (run) input voltage

### 11.1.2.12 Efficiency Terms

- $\eta_{SB}$ : estimated efficiency of the flyback converter at no-load condition. For reference, 50% to 70% is a good initial estimate range for a 5-V, 2-A output.
- $\eta$ : overall efficiency of the converter at full rated output power
- $\eta_{XFMR}$ : power transfer efficiency of the transformer



## 11.2 Documentation Support

### 11.2.1 Related Documentation

For related documentation see the following:

- [Choosing Standard Recovery Diode or Ultra-Fast Diode in Snubber](#)
- [Control Challenges for Low Power AC/DC Converters](#)
- [Troubleshooting TI PSR Controllers](#)
- [UCC24650 200-V Wake-Up Monitor for Fast Transient PSR](#)
- [Using the UCC28730EVM-552 10-W Adaptor Module With PSR and Wake-Up Monitor](#)

### 11.3 Receiving Notification of Documentation Updates

To receive notification of documentation updates, navigate to the device product folder on ti.com. In the upper right corner, click on *Alert me* to register and receive a weekly digest of any product information that has changed. For change details, review the revision history included in any revised document.

### 11.4 Community Resources

The following links connect to TI community resources. Linked contents are provided "AS IS" by the respective contributors. They do not constitute TI specifications and do not necessarily reflect TI's views; see TI's [Terms of Use](#).

**TI E2E™ Online Community** *TI's Engineer-to-Engineer (E2E) Community*. Created to foster collaboration among engineers. At e2e.ti.com, you can ask questions, share knowledge, explore ideas and help solve problems with fellow engineers.

**Design Support** *TI's Design Support* Quickly find helpful E2E forums along with design support tools and contact information for technical support.

### 11.5 Trademarks

E2E is a trademark of Texas Instruments.  
All other trademarks are the property of their respective owners.

### 11.6 Electrostatic Discharge Caution



These devices have limited built-in ESD protection. The leads should be shorted together or the device placed in conductive foam during storage or handling to prevent electrostatic damage to the MOS gates.

### 11.7 Glossary

**SLYZ022** — *TI Glossary*.

This glossary lists and explains terms, acronyms, and definitions.

## 12 Mechanical, Packaging, and Orderable Information

The following pages include mechanical, packaging, and orderable information. This information is the most current data available for the designated devices. This data is subject to change without notice and revision of this document. For browser-based versions of this data sheet, refer to the left-hand navigation.

**PACKAGING INFORMATION**

| Orderable Device | Status<br>(1) | Package Type | Package Drawing | Pins | Package Qty | Eco Plan<br>(2) | Lead finish/<br>Ball material<br>(6) | MSL Peak Temp<br>(3) | Op Temp (°C) | Device Marking<br>(4/5) | Samples                 |
|------------------|---------------|--------------|-----------------|------|-------------|-----------------|--------------------------------------|----------------------|--------------|-------------------------|-------------------------|
| UCC28730D        | ACTIVE        | SOIC         | D               | 7    | 75          | RoHS & Green    | NIPDAU                               | Level-1-260C-UNLIM   | -40 to 125   | U28730                  | <a href="#">Samples</a> |
| UCC28730DR       | ACTIVE        | SOIC         | D               | 7    | 2500        | RoHS & Green    | NIPDAU                               | Level-1-260C-UNLIM   | -40 to 125   | U28730                  | <a href="#">Samples</a> |

(1) The marketing status values are defined as follows:

**ACTIVE:** Product device recommended for new designs.

**LIFEBUY:** TI has announced that the device will be discontinued, and a lifetime-buy period is in effect.

**NRND:** Not recommended for new designs. Device is in production to support existing customers, but TI does not recommend using this part in a new design.

**PREVIEW:** Device has been announced but is not in production. Samples may or may not be available.

**OBSOLETE:** TI has discontinued the production of the device.

(2) **RoHS:** TI defines "RoHS" to mean semiconductor products that are compliant with the current EU RoHS requirements for all 10 RoHS substances, including the requirement that RoHS substance do not exceed 0.1% by weight in homogeneous materials. Where designed to be soldered at high temperatures, "RoHS" products are suitable for use in specified lead-free processes. TI may reference these types of products as "Pb-Free".

**RoHS Exempt:** TI defines "RoHS Exempt" to mean products that contain lead but are compliant with EU RoHS pursuant to a specific EU RoHS exemption.

**Green:** TI defines "Green" to mean the content of Chlorine (Cl) and Bromine (Br) based flame retardants meet JS709B low halogen requirements of <=1000ppm threshold. Antimony trioxide based flame retardants must also meet the <=1000ppm threshold requirement.

(3) MSL, Peak Temp. - The Moisture Sensitivity Level rating according to the JEDEC industry standard classifications, and peak solder temperature.

(4) There may be additional marking, which relates to the logo, the lot trace code information, or the environmental category on the device.

(5) Multiple Device Markings will be inside parentheses. Only one Device Marking contained in parentheses and separated by a "~" will appear on a device. If a line is indented then it is a continuation of the previous line and the two combined represent the entire Device Marking for that device.

(6) Lead finish/Ball material - Orderable Devices may have multiple material finish options. Finish options are separated by a vertical ruled line. Lead finish/Ball material values may wrap to two lines if the finish value exceeds the maximum column width.

**Important Information and Disclaimer:**The information provided on this page represents TI's knowledge and belief as of the date that it is provided. TI bases its knowledge and belief on information provided by third parties, and makes no representation or warranty as to the accuracy of such information. Efforts are underway to better integrate information from third parties. TI has taken and continues to take reasonable steps to provide representative and accurate information but may not have conducted destructive testing or chemical analysis on incoming materials and chemicals. TI and TI suppliers consider certain information to be proprietary, and thus CAS numbers and other limited information may not be available for release.

In no event shall TI's liability arising out of such information exceed the total purchase price of the TI part(s) at issue in this document sold by TI to Customer on an annual basis.

**OTHER QUALIFIED VERSIONS OF UCC28730 :**

- Automotive: [UCC28730-Q1](#)

## NOTE: Qualified Version Definitions:

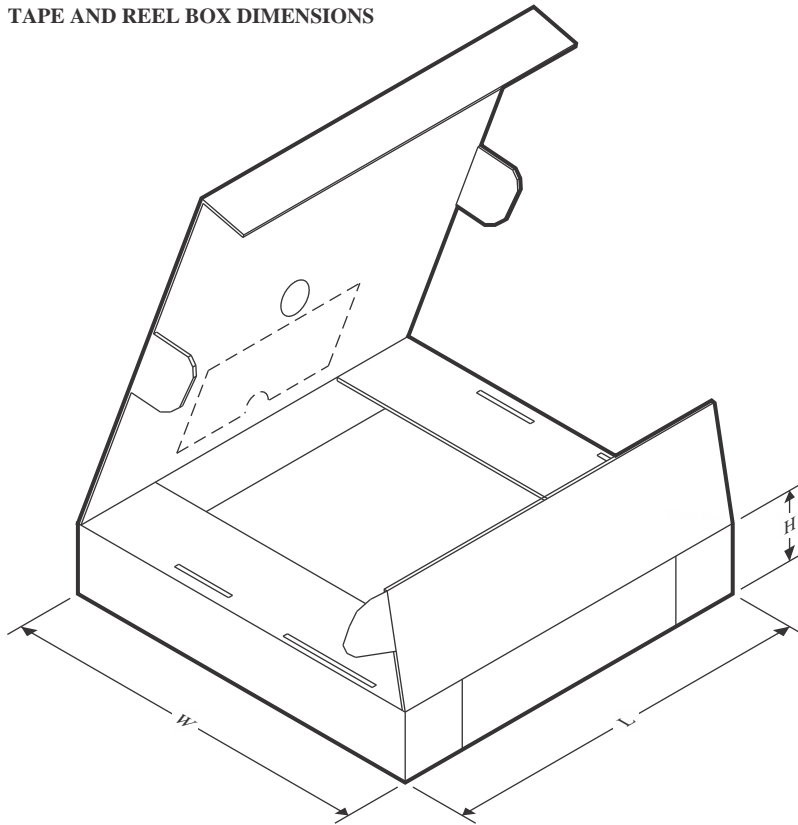
- Automotive - Q100 devices qualified for high-reliability automotive applications targeting zero defects

**TAPE AND REEL INFORMATION**

**QUADRANT ASSIGNMENTS FOR PIN 1 ORIENTATION IN TAPE**

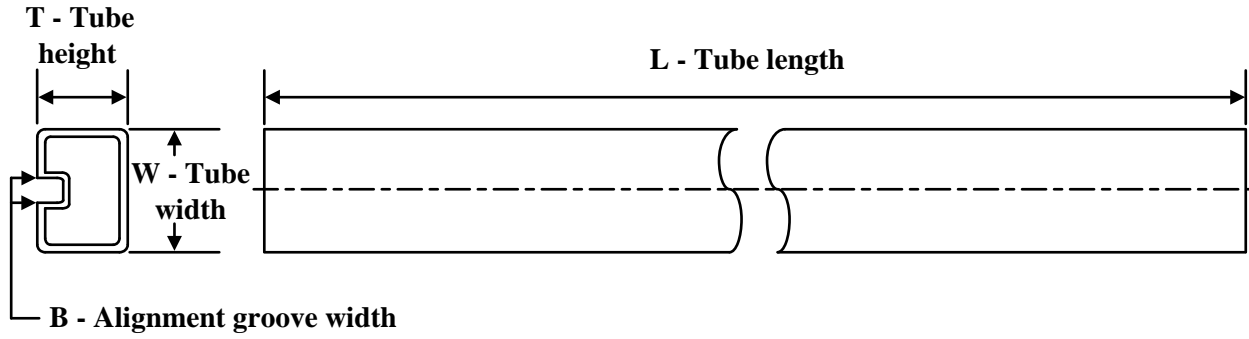

\*All dimensions are nominal

| Device     | Package Type | Package Drawing | Pins | SPQ  | Reel Diameter (mm) | Reel Width W1 (mm) | A0 (mm) | B0 (mm) | K0 (mm) | P1 (mm) | W (mm) | Pin1 Quadrant |
|------------|--------------|-----------------|------|------|--------------------|--------------------|---------|---------|---------|---------|--------|---------------|
| UCC28730DR | SOIC         | D               | 7    | 2500 | 330.0              | 12.4               | 6.4     | 5.2     | 2.1     | 8.0     | 12.0   | Q1            |

**TAPE AND REEL BOX DIMENSIONS**


\*All dimensions are nominal

| Device     | Package Type | Package Drawing | Pins | SPQ  | Length (mm) | Width (mm) | Height (mm) |
|------------|--------------|-----------------|------|------|-------------|------------|-------------|
| UCC28730DR | SOIC         | D               | 7    | 2500 | 356.0       | 356.0      | 35.0        |

**TUBE**


\*All dimensions are nominal

| Device    | Package Name | Package Type | Pins | SPQ | L (mm) | W (mm) | T (μm) | B (mm) |
|-----------|--------------|--------------|------|-----|--------|--------|--------|--------|
| UCC28730D | D            | SOIC         | 7    | 75  | 506.6  | 8      | 3940   | 4.32   |

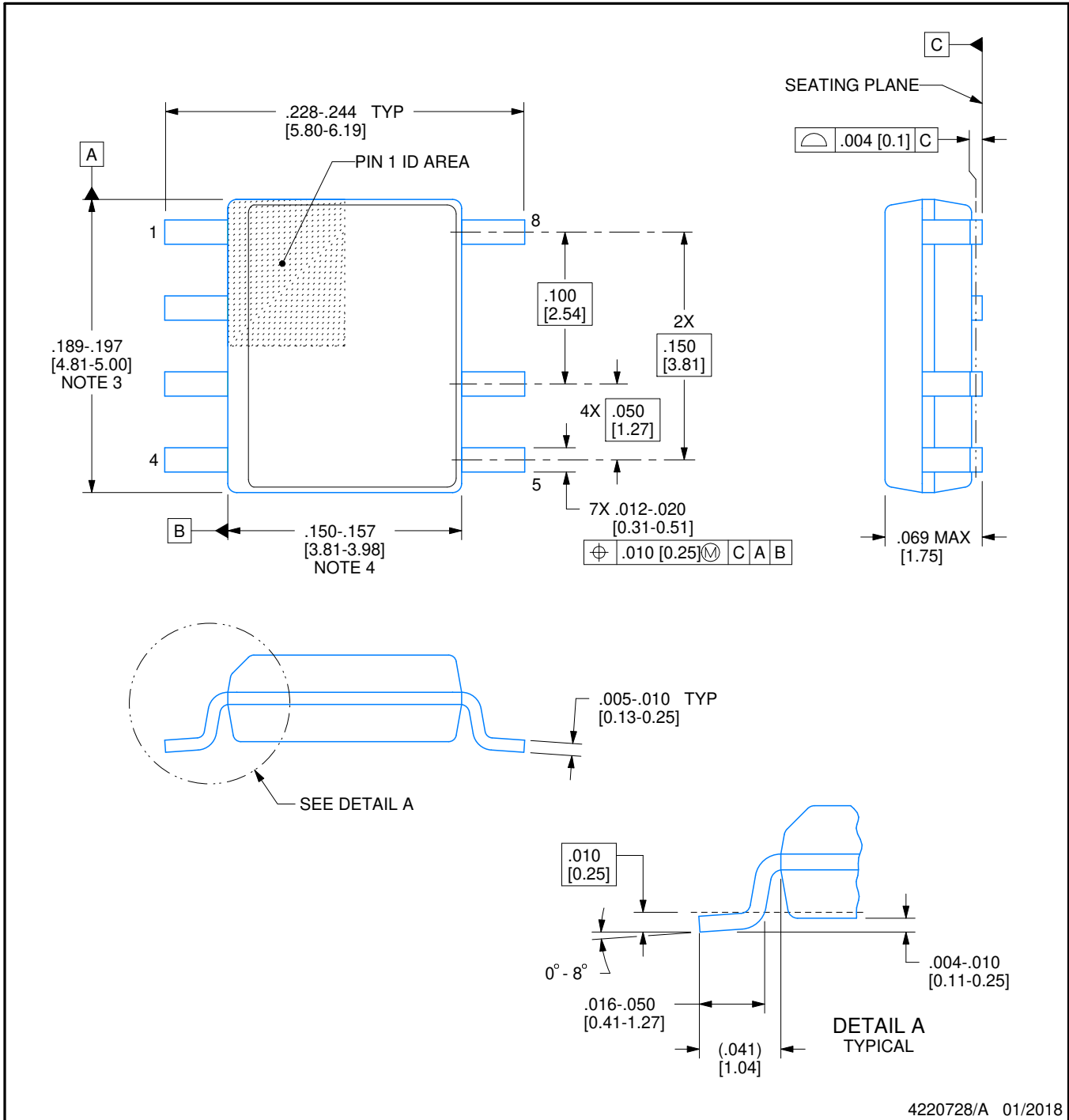


D0007A

# PACKAGE OUTLINE

SOIC - 1.75 mm max height

SMALL OUTLINE INTEGRATED CIRCUIT



4220728/A 01/2018

NOTES:

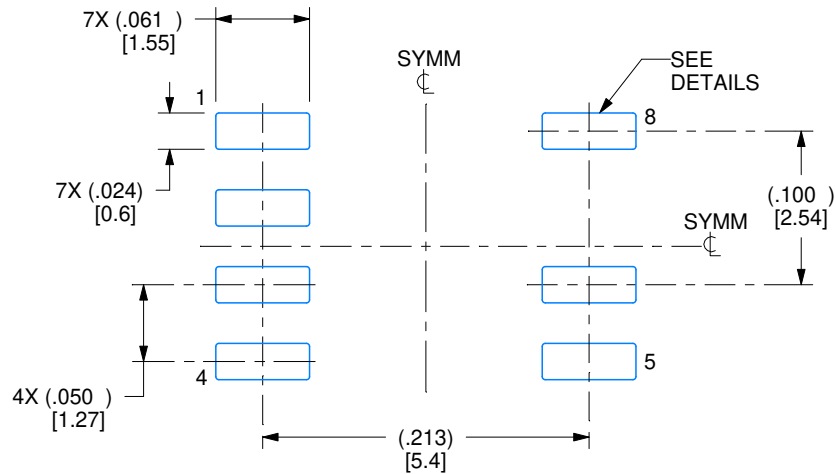
1. Linear dimensions are in inches [millimeters]. Dimensions in parenthesis are for reference only. Controlling dimensions are in inches. Dimensioning and tolerancing per ASME Y14.5M.
2. This drawing is subject to change without notice.
3. This dimension does not include mold flash, protrusions, or gate burrs. Mold flash, protrusions, or gate burrs shall not exceed .006 [0.15] per side.
4. This dimension does not include interlead flash.
5. Reference JEDEC registration MS-012, variation AA.

# EXAMPLE BOARD LAYOUT

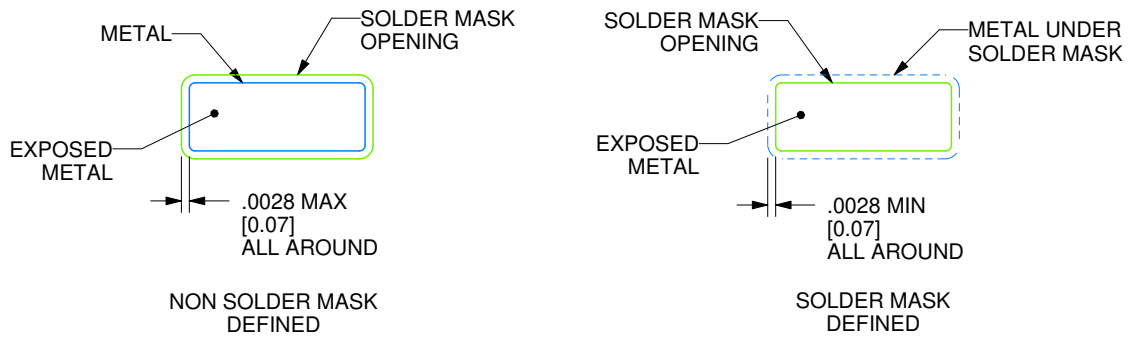
D0007A

SOIC - 1.75 mm max height

SMALL OUTLINE INTEGRATED CIRCUIT



LAND PATTERN EXAMPLE  
EXPOSED METAL SHOWN  
SCALE:8X



SOLDER MASK DETAILS

4220728/A 01/2018

NOTES: (continued)

- 6. Publication IPC-7351 may have alternate designs.
- 7. Solder mask tolerances between and around signal pads can vary based on board fabrication site.

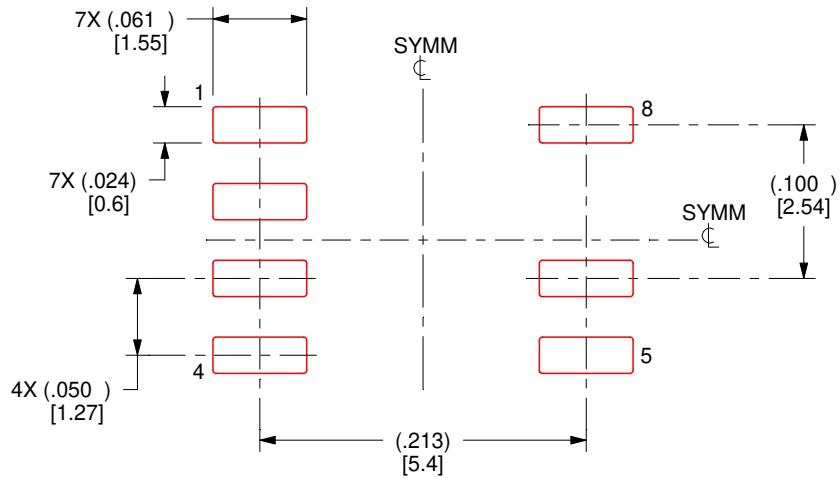


# EXAMPLE STENCIL DESIGN

D0007A

SOIC - 1.75 mm max height

SMALL OUTLINE INTEGRATED CIRCUIT



SOLDER PASTE EXAMPLE  
BASED ON .005 INCH [0.125 MM] THICK STENCIL  
SCALE:8X

4220728/A 01/2018

NOTES: (continued)

8. Laser cutting apertures with trapezoidal walls and rounded corners may offer better paste release. IPC-7525 may have alternate design recommendations.
9. Board assembly site may have different recommendations for stencil design.

## IMPORTANT NOTICE AND DISCLAIMER

TI PROVIDES TECHNICAL AND RELIABILITY DATA (INCLUDING DATA SHEETS), DESIGN RESOURCES (INCLUDING REFERENCE DESIGNS), APPLICATION OR OTHER DESIGN ADVICE, WEB TOOLS, SAFETY INFORMATION, AND OTHER RESOURCES "AS IS" AND WITH ALL FAULTS, AND DISCLAIMS ALL WARRANTIES, EXPRESS AND IMPLIED, INCLUDING WITHOUT LIMITATION ANY IMPLIED WARRANTIES OF MERCHANTABILITY, FITNESS FOR A PARTICULAR PURPOSE OR NON-INFRINGEMENT OF THIRD PARTY INTELLECTUAL PROPERTY RIGHTS.

These resources are intended for skilled developers designing with TI products. You are solely responsible for (1) selecting the appropriate TI products for your application, (2) designing, validating and testing your application, and (3) ensuring your application meets applicable standards, and any other safety, security, regulatory or other requirements.

These resources are subject to change without notice. TI grants you permission to use these resources only for development of an application that uses the TI products described in the resource. Other reproduction and display of these resources is prohibited. No license is granted to any other TI intellectual property right or to any third party intellectual property right. TI disclaims responsibility for, and you will fully indemnify TI and its representatives against, any claims, damages, costs, losses, and liabilities arising out of your use of these resources.

TI's products are provided subject to [TI's Terms of Sale](#) or other applicable terms available either on [ti.com](http://ti.com) or provided in conjunction with such TI products. TI's provision of these resources does not expand or otherwise alter TI's applicable warranties or warranty disclaimers for TI products.

TI objects to and rejects any additional or different terms you may have proposed.

Mailing Address: Texas Instruments, Post Office Box 655303, Dallas, Texas 75265  
Copyright © 2022, Texas Instruments Incorporated