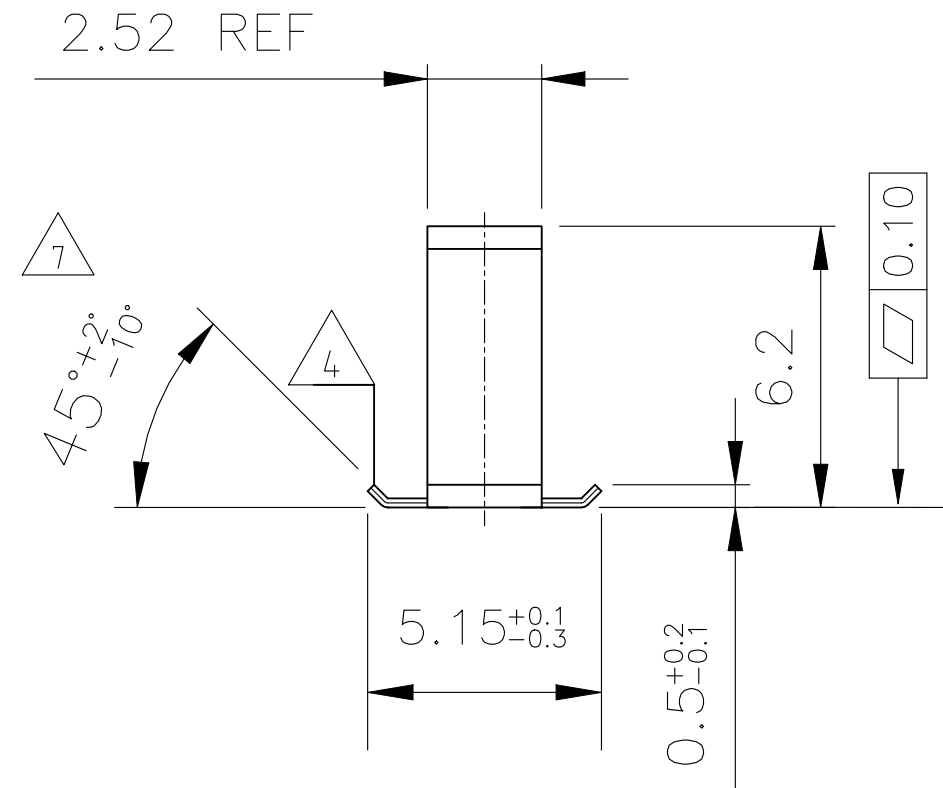
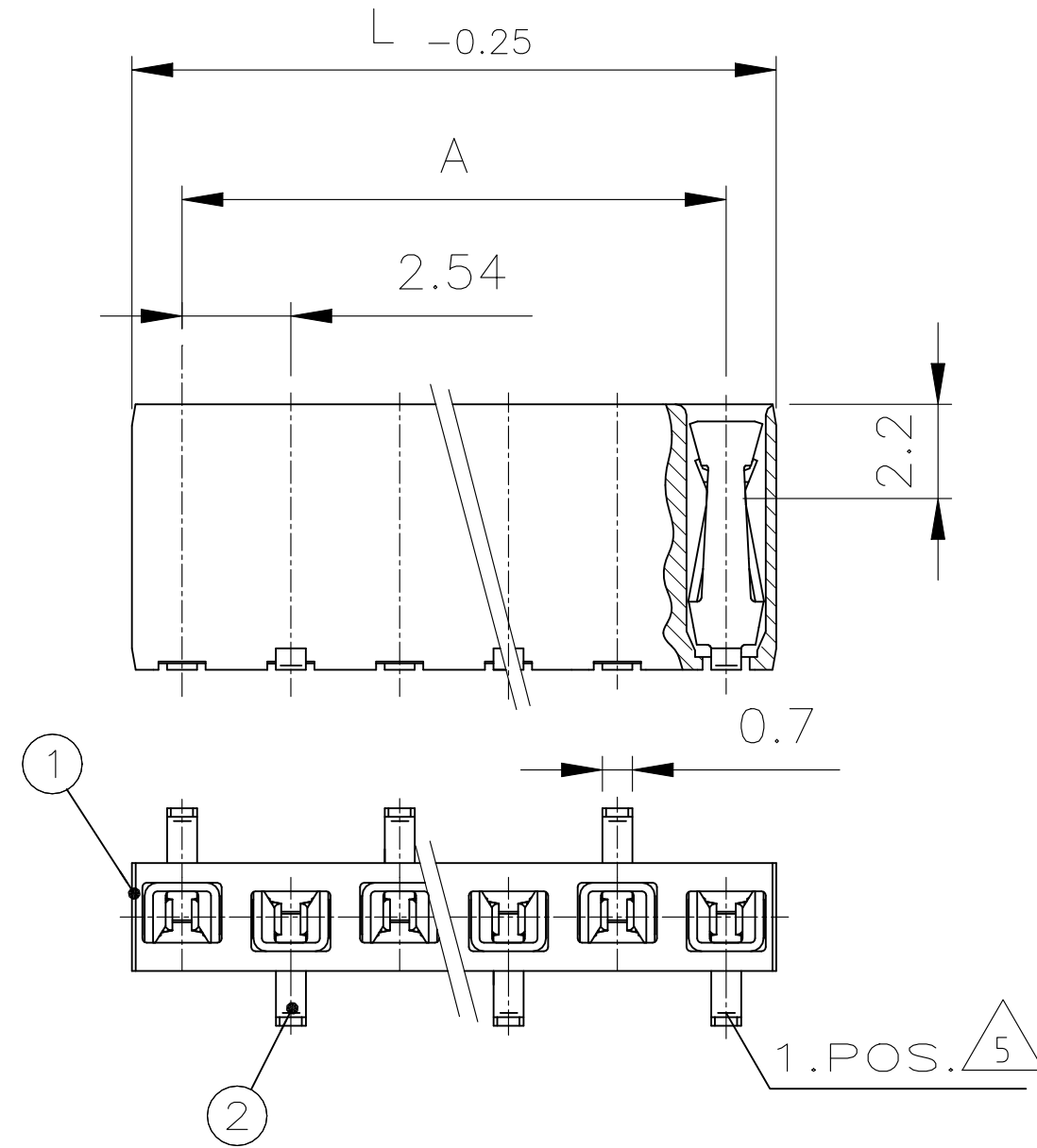
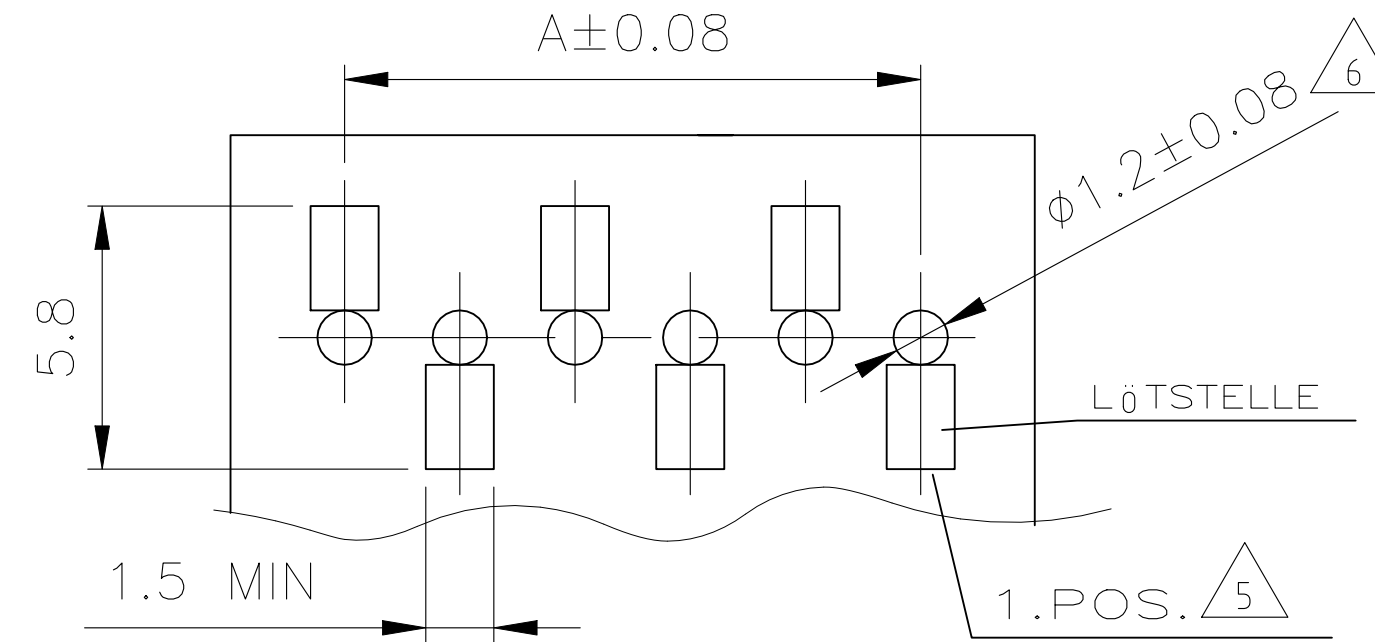


| REVISIONS | | | | | |
|--------------|-----|---------------------------------------|-----------|-----|------|
| ÄNDERUNGEN | | | | | |
| P | LTR | DESCRIPTION | DATE | DWN | APVD |
| BESCHREIBUNG | | | | | |
| F | | RESIN SUPPLIER CHANGE FOR THE HOUSING | 15DEC2021 | SCB | KJK |

| Polz. | L _{-0.25} | A |
|-------|--------------------|-------|
| - | - | - |
| - | - | - |
| 3 | 7.88 | 5.08 |
| 4 | 10.42 | 7.62 |
| 5 | 12.96 | 10.16 |
| 6 | 15.50 | 12.7 |
| 7 | 18.04 | 15.24 |
| 8 | 20.58 | 17.78 |
| 9 | 23.12 | 20.32 |
| 10 | 25.66 | 22.86 |
| 11 | 28.20 | 25.4 |
| 12 | 30.74 | 27.94 |



EMPFOHLENES LEITERPLATTEN LAYOUT

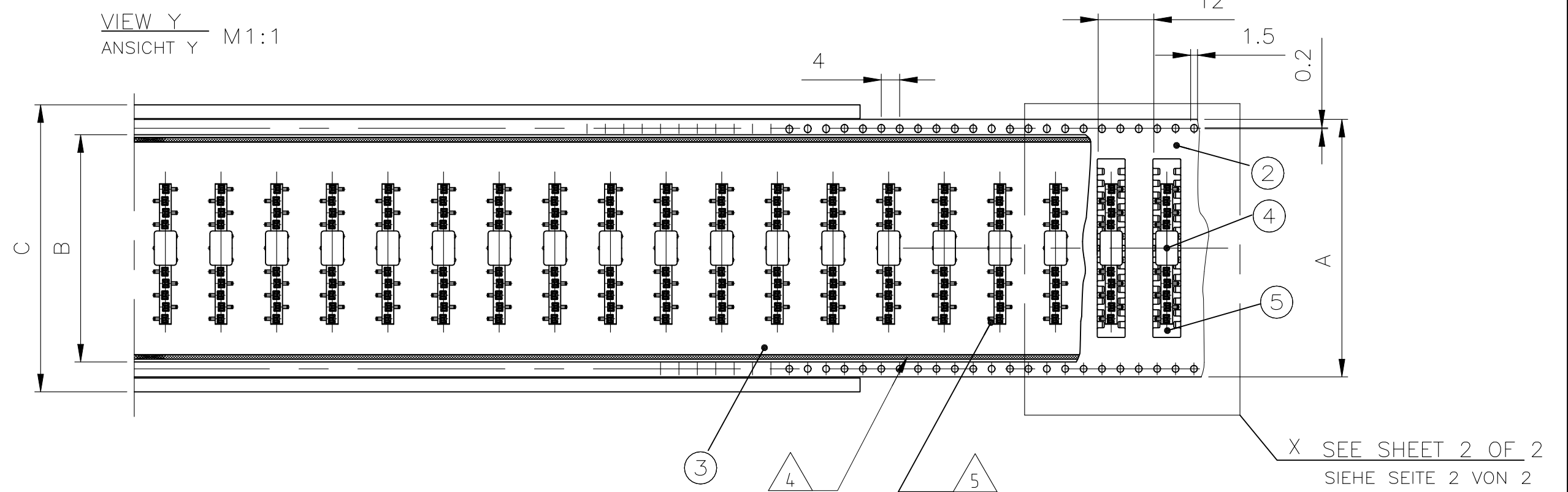
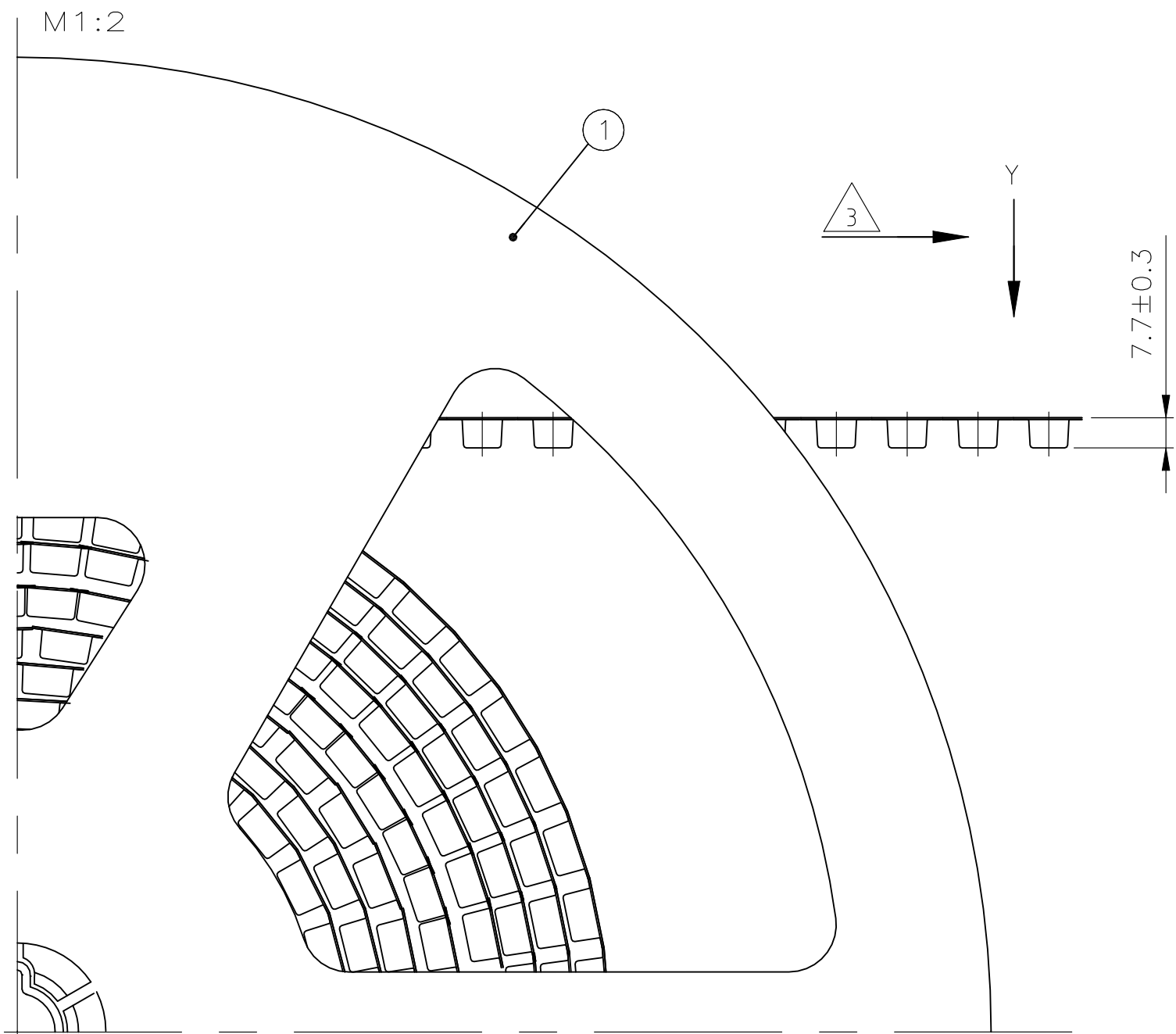


- 1 EDGE CONTACT
KONTAKTPUNKT
- 2 CONTACT RANGE: 0.8µm GOLD OVER 1.3µm Ni
SOLDERING RANGE: 2.5µm TIN OVER 1.3µm Ni
KONTAKTBEREICH: 0.8µm GOLD ÜBER 1.3µm Ni
LÖTBEREICH: 2.5µm ZINN ÜBER 1.3µm Ni
- 3 CAN BE PLUGGED IN WITH MODU II PINS Ø0.63 OR □0.63 TOP OR BOTTOM ENTRY.
STECKBAR MIT MODU II STIFTEN Ø0.63 ODER □0.63
TOP ODER BOTTOM ENTRY.
- 4 PLANE OF SECTION BLANK
SCHNITTFLÄCHE BLANK
- 5 SITUATION OF THE FIRST CONTACT ATTENTION.
LAGE DES 1. KONTAKTS BEACHTEN
- 6 ONLY WITH THE BOTTOM ENTRY
NUR BEI BOTTOM ENTRY
- 7 BEND ANGLE WILL BE 80°±5° WHEN PRODUCED AT DIFFERENT EQUIPMENT
(SEMI- AUTOMATIC) DUE TO CAPACITY OR MIX OF LOAD.

| | | | |
|---------------|--|-----------------------|---------------------------------------|
| - | HV 100 KONTAKT / HV 100 CONTACT | Cu Sn | 2 |
| - | HV 100 GEHÄUSE / HV 100 HOUSING | LCP | 1 |
| STÜCK / PIECE | BENENNUNG EINZELTEIL PART DESCRIPTION | WERKSTOFF MATERIAL | OBERFLÄCHE / FARBE SURFACE / COLOR |
| | | | SI No |

| | | | | |
|--|--|---|--|---|
| THIS DRAWING IS A CONTROLLED DOCUMENT. DIESE ZEICHNUNG IST EIN KONTROLLIERTES DOKUMENT. | | DWN M. STEIN 24-AUG-98 | TE Connectivity Ltd. | |
| DIMENSIONS: MASSENHEITEN mm | | CHK F. REICHARDT 24-AUG-98 | NAME | |
| TOLERANCES, UNLESS OTHERWISE SPECIFIED: ALLGEMEINTOLERANZEN TOL ± 0.2 | | APVD G. Feldmeier 24-AUG-98 | HV100 REC. CONNECTOR, SMD, SINGLE ROW WITH ADAPTER PACKED IN BLISTER BELT | |
| 0 PLC ± - 1 PLC ± - 2 PLC ± - 3 PLC ± - 4 PLC ± - ANGLES / WINKEL ± 3° | | PRODUCT SPEC PRODUKTSPEZ 108-19056 | SIZE A2 | DRAWING NO ZEICHNUNGS-NR. C=1241152 |
| MATERIAL SEE TABLE SIEHE TABELLE | | FINISH / OBERFLÄCHE / FARBE SEE TABLE SIEHE TABELLE | WEIGHT GEWICHT - | RESTRICTED TO NUR FÜR - |
| CUSTOMER DRAWING / KUNDENZEICHNUNG | | SCALE MASSTAB 1:2 | SHEET BLATT 1 OF 3 | REV F |

| REVISIONS | | | | |
|-----------|-----|-------------|------|------|
| P | LTR | DESCRIPTION | DATE | APVD |
| - | - | SEE SHEET 1 | - | - |



X SEE SHEET 2 OF 2
SIEHE SEITE 2 VON 2

NOTES:

- 1 SEE SHEET 1 OF 3
- 2 PACKING: 600 CONNECTORS WITH ADAPTER PER REEL
7.8m BLISTER PER REEL
7.8m COVER TAPE
- 3 DIRECTION OF THE TOP OF THE REEL
- 4 COVER TAPE WITH BLISTER BELT WELDED
- 5 SOLDER LEGS OF EACH CONNECTOR AS SHOWN IN SHEET 1 OF 3
- 6. PACKING ACCORDING DIN/IEC 286 RESPECTIVE EIA 481
INCLUSIVE DECLARATIONS ABOUT THE FIRST AND LAST RUNNING
(DIN/IEC 286 PART 3)
- 7 PACKING: 700 CONNECTORS WITH ADAPTER PER REEL
9m BLISTER PER REEL
9m COVER TAPE PER REEL

BEMERKUNGEN:

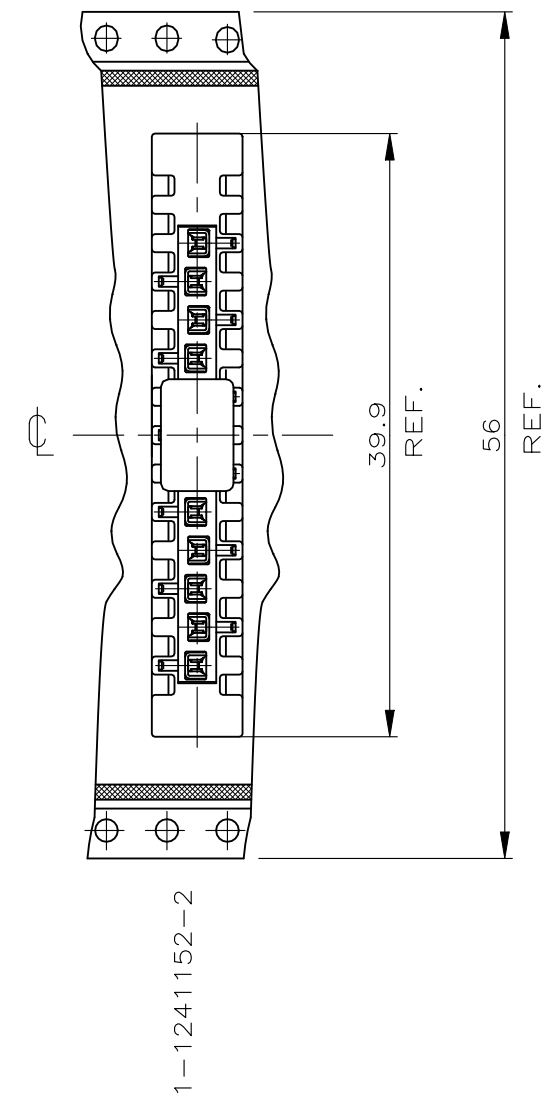
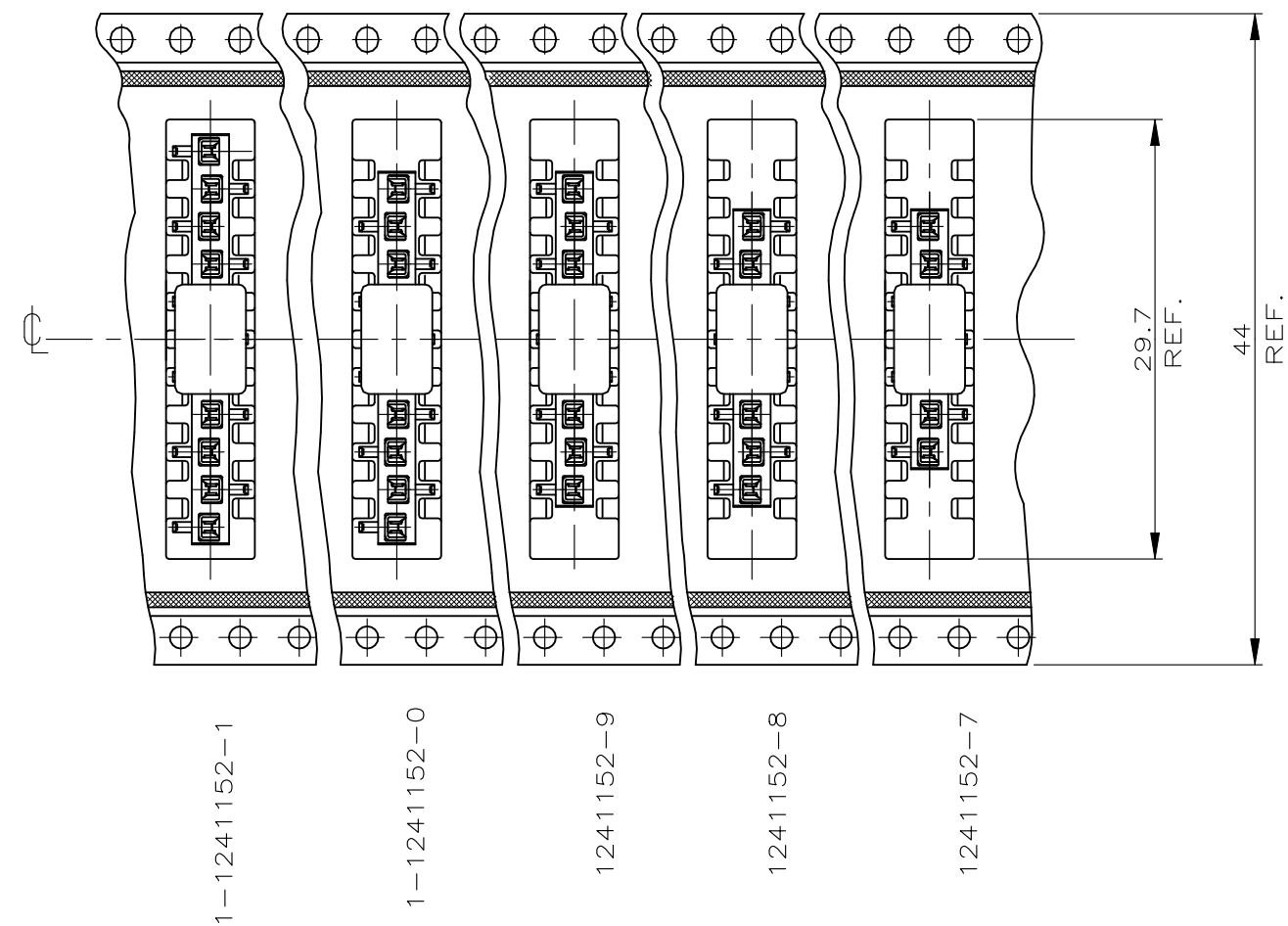
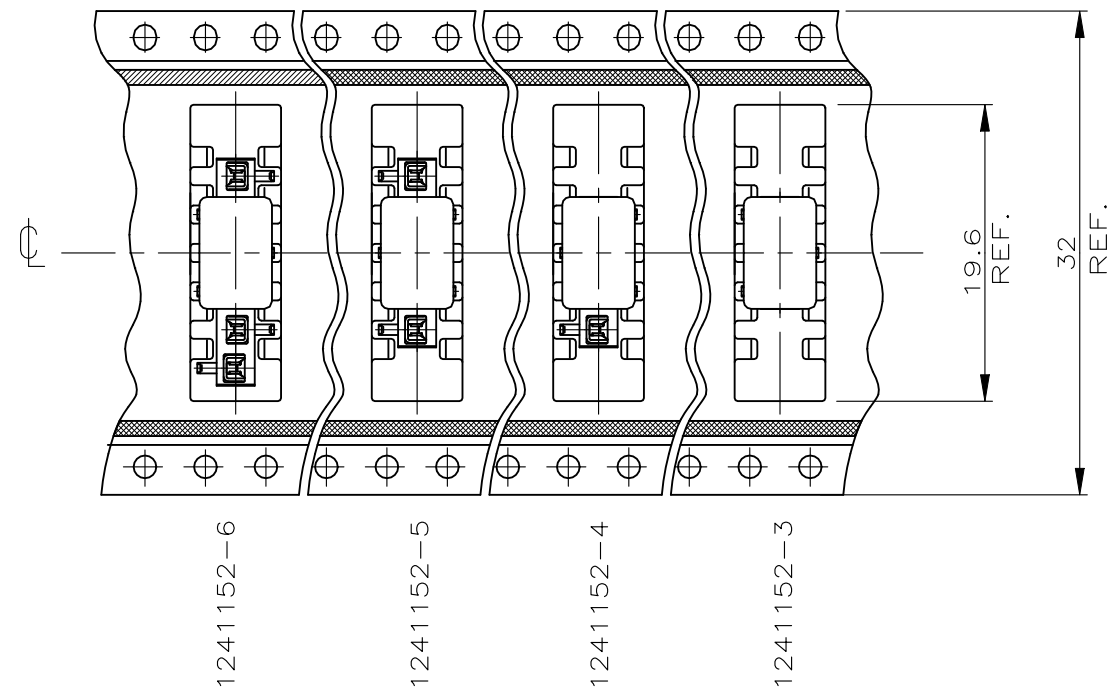
- 1 SIEHE BLATT 1 VON 3
- 2 VERPACKUNG: 600 BUCHSENSTECKER MIT ADAPTER PRO SPULE
7.8m BLISTER PRO SPULE
7.8m ABDECKFOLIE PRO SPULE
- 3 ABWICKELRICHTUNG
- 4 ABDECKFOLIE MIT BLISTERGURT VERSCHWEIßT
- 5 LÖTBEINCHEN 1. POS. BEI JEDEM STECKER WIE GEZEICHNET
IN BLATT 2 VON 3
- 6. VERPACKUNG ENTSPRECHEND DIN/IEC 286 BZW. EIA 481
INKLUSIVE ANGABEN ÜBER DEN VOR- UND NACHLAUF
(DIN/IEC 286 TEIL 3)
- 7 VERPACKUNG: 700 BUCHSENSTECKER MIT ADAPTER PRO SPULE
9m BLISTER PRO SPULE
9m ABDECKFOLIE PRO SPULE


| | | | | | | | | | | | | | | | |
|-----|-----|-----|----|----|----|----|----|----|----|------|-------------------------|--------------------------------------|---|---------------|---|
| 1 | | | | | | | | | | | | 5 | HV100 CONNECTOR, SMD, 12pos. HV100 BUCHSENSTECKER, SMD, 12pol. | 1 | 1 |
| | 1 | | | | | | | | | | | 5 | HV100 CONNECTOR, SMD, 11pos. HV100 BUCHSENSTECKER, SMD, 11pol. | 1 | 1 |
| | | 1 | | | | | | | | | | 5 | HV100 CONNECTOR, SMD, 10pos. HV100 BUCHSENSTECKER, SMD, 10pol. | 1 | 1 |
| | | | 1 | | | | | | | | | 5 | HV100 CONNECTOR, SMD, 9pos. HV100 BUCHSENSTECKER, SMD, 9pol. | 1 | 1 |
| | | | | 1 | | | | | | | | 5 | HV100 CONNECTOR, SMD, 8pos. HV100 BUCHSENSTECKER, SMD, 8pol. | 1 | 1 |
| | | | | | 1 | | | | | | | 5 | HV100 CONNECTOR, SMD, 7pos. HV100 BUCHSENSTECKER, SMD, 7pol. | 1 | 1 |
| | | | | | | 1 | | | | | | 5 | HV100 CONNECTOR, SMD, 6pos. HV100 BUCHSENSTECKER, SMD, 6pol. | 1 | 1 |
| | | | | | | | 1 | | | | | 5 | HV100 CONNECTOR, SMD, 5pos. HV100 BUCHSENSTECKER, SMD, 5pol. | 1 | 1 |
| | | | | | | | | 1 | | | | 5 | HV100 CONNECTOR, SMD, 4pos. HV100 BUCHSENSTECKER, SMD, 4pol. | 1 | 1 |
| | | | | | | | | | 1 | | | 5 | HV100 CONNECTOR, SMD, 3pos. HV100 BUCHSENSTECKER, SMD, 3pol. | 1 | 1 |
| 1 | 1 | 1 | 1 | 1 | 1 | 1 | 1 | 1 | 1 | 1 | 4 | ADAPTER | LCP | BLACK/SCHWARZ | |
| 2 | | | | | | | | | | | 3 | COVER TAPE / ABDECKFOLIE B=49.4 | PET | TRANSPARENT | |
| | 7 | 7 | 7 | 7 | 7 | | | | | | 3 | COVER TAPE / ABDECKFOLIE B=37.4 | PET | TRANSPARENT | |
| | | | | | | 7 | 7 | 7 | 7 | | 3 | COVER TAPE / ABDECKFOLIE B=25.4 | PET | TRANSPARENT | |
| 2 | | | | | | | | | | | 2 | BLISTER BELT / BLISTERGURT A=56.0 | PS | BLACK | |
| | 7 | 7 | 7 | 7 | 7 | | | | | | 2 | BLISTER BELT / BLISTERGURT A=44.0 | PS | BLACK | |
| | | | | | | | | | | | 2 | BLISTER BELT / BLISTERGURT A=32.0 | PS | BLACK | |
| 2 | | | | | | | | | | | 1 | REEL C=62.4 | PS | GREY / GRAU | |
| | 7 | 7 | 7 | 7 | 7 | | | | | | 1 | REEL C=50.4 | PS | GREY / GRAU | |
| | | | | | | 7 | 7 | 7 | 7 | | 1 | REEL C=38.4 | PS | GREY / GRAU | |
| 1-2 | 1-1 | 1-0 | -9 | -8 | -7 | -6 | -5 | -4 | -3 | POS. | DESCRIPTION / BENENNUNG | SURFACE / OBERFLAECHE COLOUR / FARBE | | MATERIAL | |

| | | | | |
|--|--|--|--|--------------------------------|
| THIS DRAWING IS A CONTROLLED DOCUMENT. DIESE ZEICHNUNG IST EIN KONTROLLIERTES DOKUMENT. | | DWN M. STEIN 24-AUG-98 | TE Connectivity Ltd. | |
| DIMENSIONS: MASSENHEITEN mm | | CHK F. REICHARDT 24-AUG-98 | | |
| TOLERANCES UNLESS OTHERWISE SPECIFIED: ALLGEMEINTOLERANZEN | | APVD G. Feldmeier 24-AUG-98 | NAME HV100 REC. CONNECTOR, SMD, SINGLE ROW WITH ADAPTER PACKED IN BLISTER BELT | |
| | | PRODUCT SPEC PRODUKTSPEZ 108-19056 | SIZE A2 | CAGE CODE 00779 |
| MATERIAL SEE TABLE SIEHE TABELLE | | FINISH / OBERFLAECHE/FARBE SEE TABLE SIEHE TABELLE | DRAWING NO ZEICHNUNGS-NR. C=1241152 | RESTRICTED TO NUR FUER - |
| CUSTOMER DRAWING / KUNDENZEICHNUNG | | SCALE MASSTAB 1:2 | SHEET BLATT 2 OF 3 | REV F |

| REVISIONS | | | | |
|-----------|-----|-------------|------|------|
| P | LTR | DESCRIPTION | DATE | APVD |
| - | - | SEE SHEET 1 | - | - |

DETAIL X
EINZELHEIT X



| | | | | | | | | | | | | | | | | | | | | | | | | | |
|--|---|------------------------------------|--|--------------------------------|--------------------------------|---|---|-------|---|---|-------|---|---|-------|---|---|-----------------|--|---|------------------------------|--|---|--|---|--|
| THIS DRAWING IS A CONTROLLED DOCUMENT. DIESE ZEICHNUNG IST EIN KONTROLLIERTES DOKUMENT. | | DWN M. STEIN 24-AUG-98 |  TE Connectivity Ltd. | | | | | | | | | | | | | | | | | | | | | | |
| DIMENSIONS: MASSENHEITEN mm | | CHK F. REICHARDT 24-AUG-98 | | | | | | | | | | | | | | | | | | | | | | | |
| TOLERANCES, UNLESS OTHERWISE SPECIFIED: ALLGEMEINTOLERANZEN | | APVD G. Feldmeier 24-AUG-98 | NAME HV100 REC. CONNECTOR, SMD, SINGLE ROW WITH ADAPTER PACKED IN BLISTER BELT | | | | | | | | | | | | | | | | | | | | | | |
| <table border="1"> <tr> <td>0 PLC</td> <td>±</td> <td>-</td> </tr> <tr> <td>1 PLC</td> <td>±</td> <td>-</td> </tr> <tr> <td>2 PLC</td> <td>±</td> <td>-</td> </tr> <tr> <td>3 PLC</td> <td>±</td> <td>-</td> </tr> <tr> <td>4 PLC</td> <td>±</td> <td>-</td> </tr> <tr> <td colspan="2">ANGLES / WINKEL</td> <td>±</td> </tr> <tr> <td colspan="2">FINISH / OBERFLAECHE / FARBE</td> <td>-</td> </tr> </table> | | 0 PLC | ± | - | 1 PLC | ± | - | 2 PLC | ± | - | 3 PLC | ± | - | 4 PLC | ± | - | ANGLES / WINKEL | | ± | FINISH / OBERFLAECHE / FARBE | | - | PRODUCT SPEC PRODUKTSPEZ 108-19056 | DRAWING NO ZEICHNUNGS-NR. C=1241152 | |
| 0 PLC | ± | - | | | | | | | | | | | | | | | | | | | | | | | |
| 1 PLC | ± | - | | | | | | | | | | | | | | | | | | | | | | | |
| 2 PLC | ± | - | | | | | | | | | | | | | | | | | | | | | | | |
| 3 PLC | ± | - | | | | | | | | | | | | | | | | | | | | | | | |
| 4 PLC | ± | - | | | | | | | | | | | | | | | | | | | | | | | |
| ANGLES / WINKEL | | ± | | | | | | | | | | | | | | | | | | | | | | | |
| FINISH / OBERFLAECHE / FARBE | | - | | | | | | | | | | | | | | | | | | | | | | | |
| MATERIAL | | WEIGHT GEWICHT - | SIZE A2 | CAGE CODE 00779 | RESTRICTED TO NUR FUER - | | | | | | | | | | | | | | | | | | | | |
| | | CUSTOMER DRAWING / KUNDENZEICHNUNG | SCALE MASSTAB 1:1 | SHEET BLATT 3 OF 3 VON 3 | REV F | | | | | | | | | | | | | | | | | | | | |

1241152