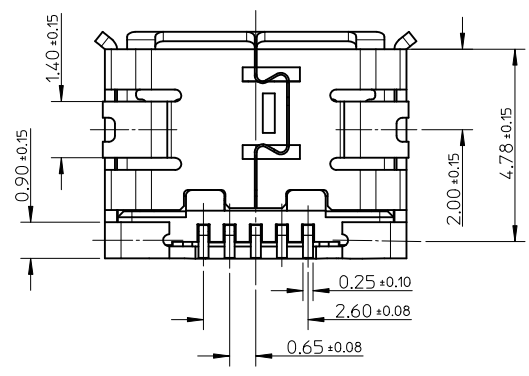
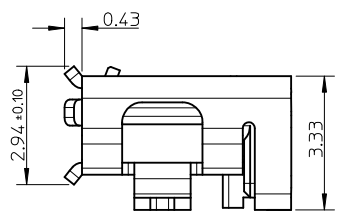
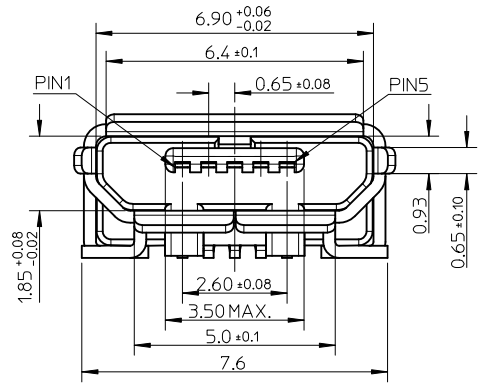


CONN. FRONT INTERFACE  
PCB FRONT EDGE  
RECOMMENDED P.W.B. PATTERN LAYOUT



NOTES:

- MATERIAL:  
HOUSING: LCP, BLACK, UL94V-0,  
TERMINAL: COPPER ALLOY, THICKNESS: 0.15mm,  
SHELL: STAINLESS STEEL, THICKNESS: 0.30mm.
- PLATING:  
TERMINAL: CONTACT AREA: GOLD 0.76 MICRON MINIMUM,  
SOLDER TAIL AREA: GOLD FLASH,  
UNDER PLATING: NICKEL 2.0 MICROMN MINIMUM,  
SHELL: MATTE TIN 1.27 MICRON MINIMUM FOR SOLDER TAIL AREA,  
UNDER PLATING: NICKEL 1.27 MICRON MINIMUM.
- TAIL COPLANARITY 0.08mm MAXIMUM.
- PRODUCT SPECIFICATION: PS-47642-001.
- PACKAGE SPECIFICATION: PK-47610-001.
- COMPLIANT TO RoHS DIRECTIVE 2002/95/EC AND ELV 2000/53/EC.

<b>NEW RELEASE</b> EC NO: SH2012-0333 DRWN: XQZHANG 2012/04/09 CHKD: XQZHANG 2012/04/09 APPR: AYIN 2012/04/10	DESCRIPTION REV A	QUALITY SYMBOLS	GENERAL TOLERANCES (UNLESS SPECIFIED)	DIMENSION STYLE	SCALE	DESIGN UNITS	THIRD ANGLE PROJECTION
		$\nabla_{\sqrt{S}} = 0$ $\nabla_{\sqrt{C}} = 0$ $\nabla_{\sqrt{P}} = 0$	mm      INCH 4 PLACES ± --- ± --- 3 PLACES ± --- ± --- 2 PLACES ± 0.25 ± --- 1 PLACE ± 0.25 ± --- 0 PLACE ±      ±	MM ONLY	8:1	METRIC	
			ANGULAR ± 3 ° DRAFT WHERE APPLICABLE MUST REMAIN WITHIN DIMENSIONS	DRAWN BY: XQZHANG      DATE: 2012/03/09 CHECKED BY: XQZHANG      DATE: 2012/03/09 APPROVED BY: AYIN      DATE: 2012/04/10	TITLE		
				MATERIAL NO. 47610-0001 DOCUMENT NO. SD-47610-001			MICRO USB B REC. BOTTOM MOUNT ASS'Y  <b>molex</b> SHEET NO. 1 OF 1