

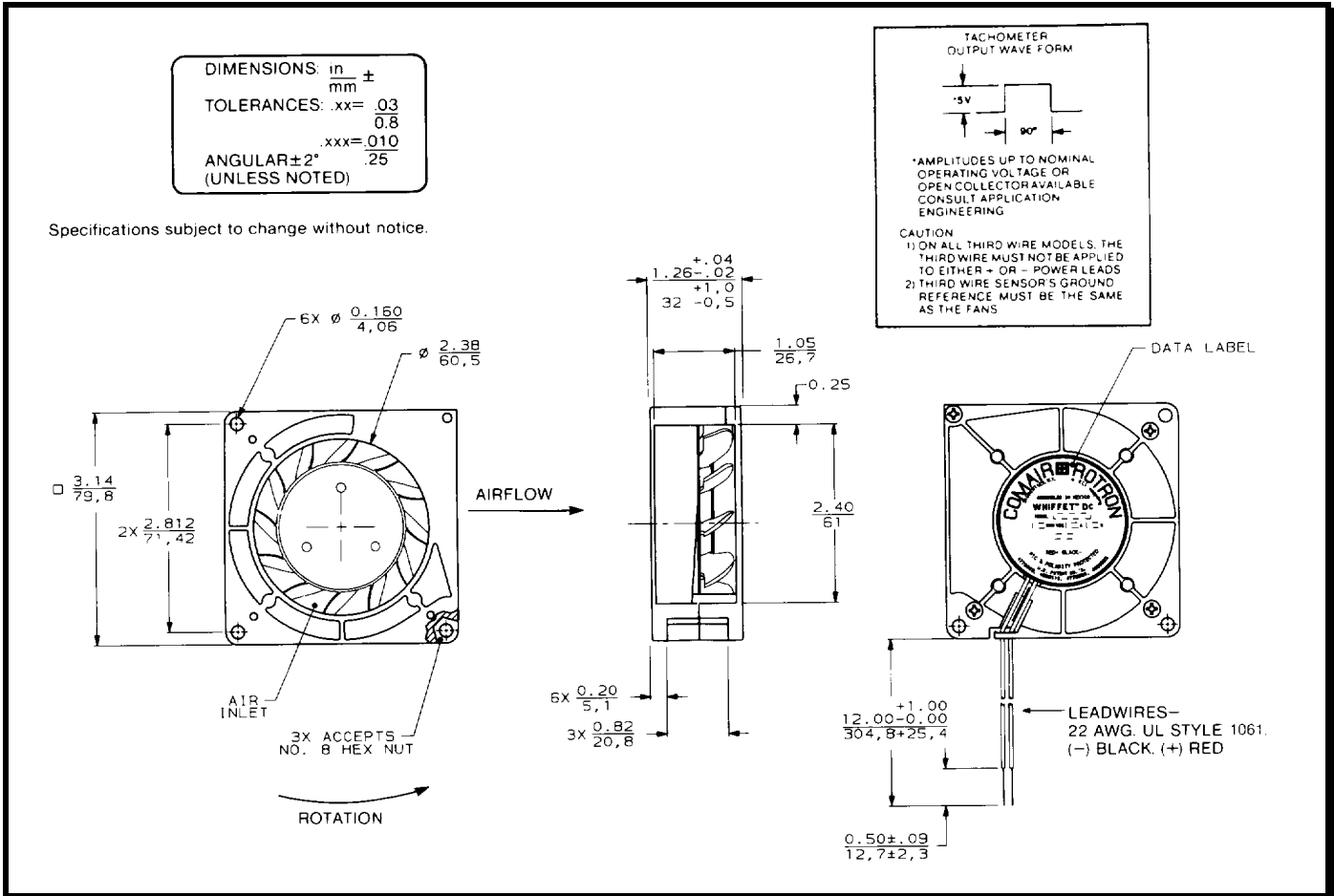
SPECIFICATIONS



Model Number: WT24M3
Part Number: 19031104A

August 8, 2005

Mechanical Drawing:



Motor:

Nominal Voltage	= 24 vdc
Operating Voltage Range	= 12 - 28 vdc
Nominal Running Current	= 0.060 amps
Max. Locked Rotor Current	= 0.195 amps
Running Power	= 1.40 watts
Average Speed	= 2500 RPM
Bearings	= Ball
Air Flow	= 8.7 CFM
Acoustic	= 36.0 dBA

Construction:

Venturi: Plastic, Black, UL 94V-0
 Propeller: Plastic, Black, UL 94V-0

Life Expectancy:

This fan is designed for continuous duty life of 80,000 hours at 25°C.

Additional Features:

Brushless DC Motor
 Locked Rotor Protection
 Reverse Polarity Protected
 Automatic Restart Capability
 Operating Temperature: -10°C to 70°C
 Storage Temperature: -40°C to 85°C

Termination:

12" Lead wires, 22 AWG, UL 1061
 Red = Fan Power (+)
 Black = Fan Ground (-)

Agency Approvals:

UL, cUL, CE