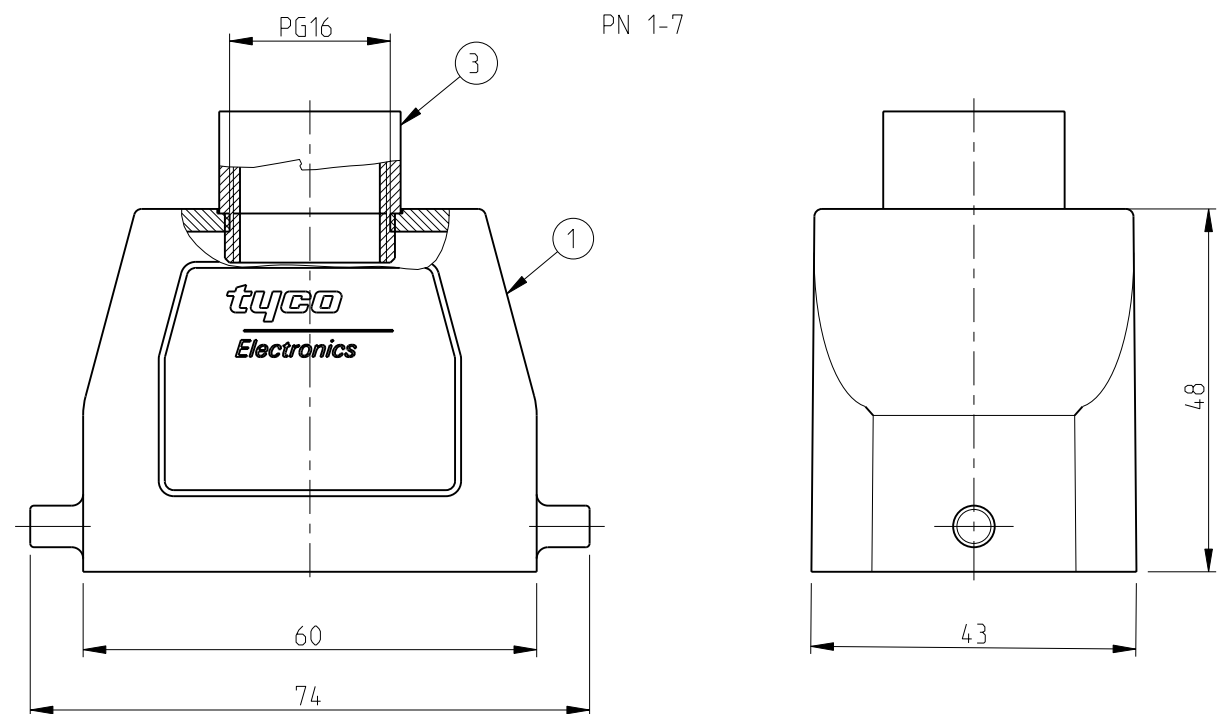


THIS DRAWING IS UNPUBLISHED. RELEASED FOR PUBLICATION 1999  
 © COPYRIGHT 1998 BY TYCO ELECTRONICS CORPORATION. ALL RIGHTS RESERVED.

LOC	DIST	REVISIONS					
		P	LTR	DESCRIPTION	DATE	DWN	APVD
A1			A3	Released as per ECR-08-005944	06.Mar.2008	SP	TS

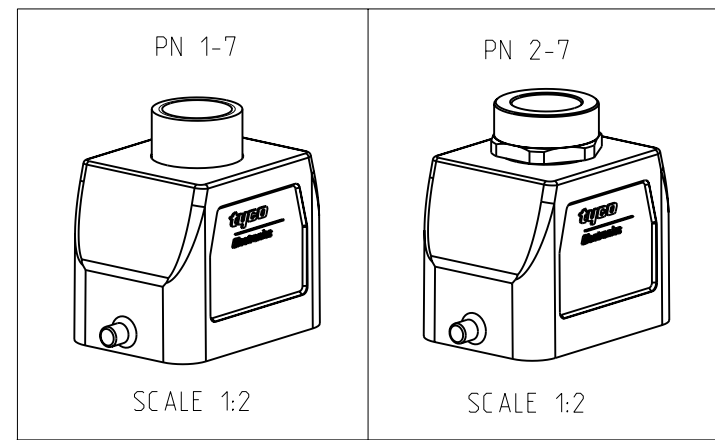
D



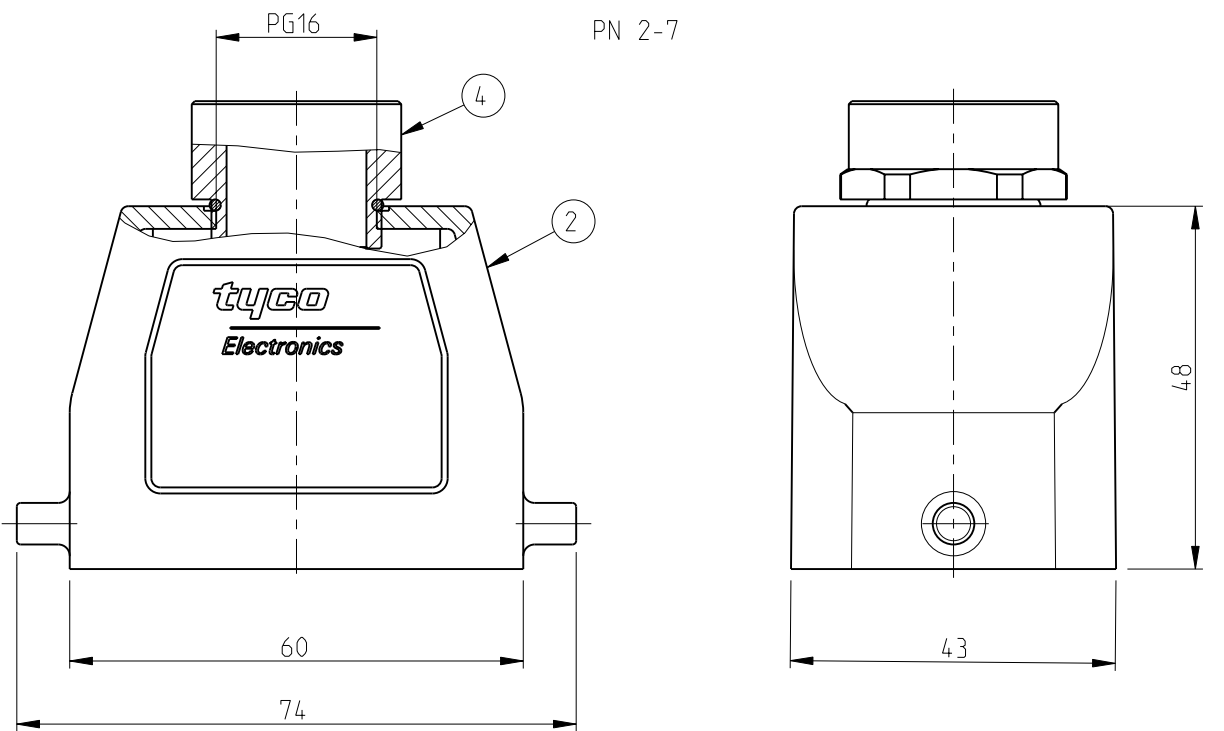
NOTES

- 1 Material: Housing: Aluminium diecasting alloy
- 2 Surface:- Varnish-grey  
Aluminium oxide+  
Varnish black
- 3 Varnish on the inside not necessary
- 4 Packaging  
Packaging quantity: 5 pieces in a box

C



B



1	-	6-Kt-Adapter	Brass	Nickle plated	Blue	4	PG16	
-	1	Adapter round	Brass	Nickle plated	Blue	3	PG16	
1	-	HB-K.Hood	Aluminium	Aluminium oxide	Black	2	-	
-	1	HB.Hood	Aluminium	-	Grey	1	-	
2-7	1-7	DESCRIPTION	MATERIAL	SURFACE	COLOR	ITEM NO	NOTES	

A

THIS DRAWING IS A CONTROLLED DOCUMENT FOR TYCO ELECTRONICS CORPORATION  
 IT IS SUBJECT TO CHANGE AND THE CONTROLLING ENGINEERING ORGANIZATION  
 SHOULD BE CONTACTED FOR THE LATEST REVISION.

DIMENSIONS:		TOLERANCES UNLESS OTHERWISE SPECIFIED:	
mm		n-ISO 8015 n-ISO 2768-mH-E n-DIN 15001-120	
	0 PLC	±	
	1 PLC	±	
	2 PLC	±	
	3 PLC	±	
	4 PLC	±	
	ANGLES	±	
MATERIAL	FINISH		

DWN	Schneider	26.11.02		Tyco Electronics.AMP.GmbH	
CHK	Schweiger	26.11.02		D-53819.Neunkirchen.Germany	
APVD					
PRODUCT SPEC			NAME		
APPLICATION SPEC			Hood HB.6.STO.1.16.Z		
WEIGHT	SIZE	CAGE CODE	DRAWING NO	RESTRICTED TO	
	A3	00779	©=1102242		
CUSTOMER DRAWING			SCALE	SHEET	REV
			1:1	1 OF 1	A3