

Ratings
Voltage: 150 V
Temperature: -40~70 °C

Conductor
Gauge: 18 AWG 0.82 mm²
Material: tinned copper strands
Strand size: $\phi 0.127 \times 65$
Resistance at 20 °C: 23.2Ω /km max

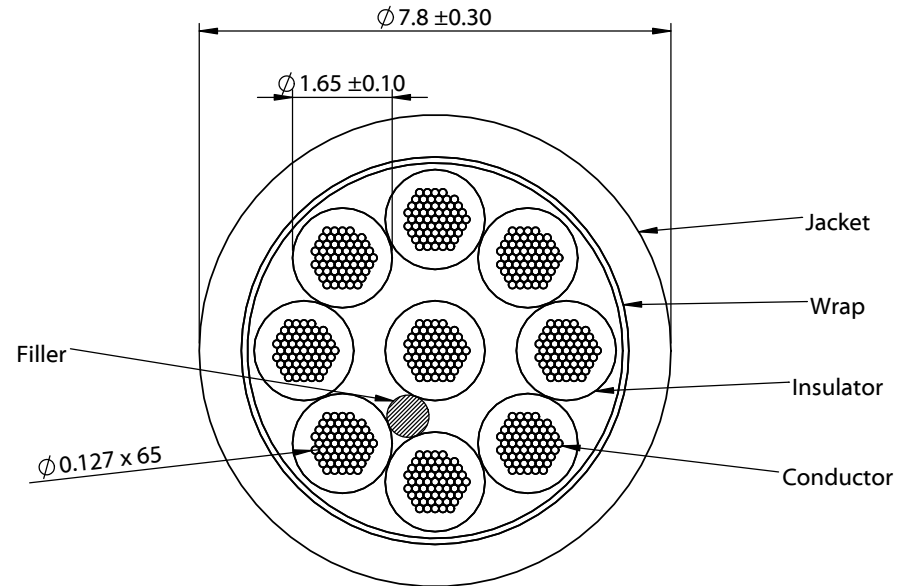
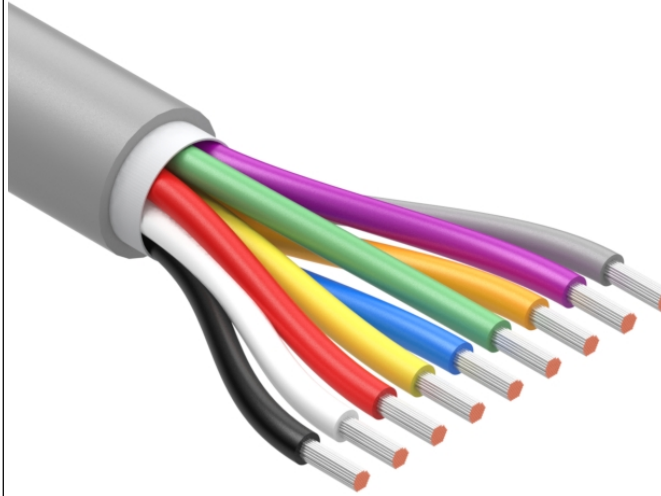
Insulator
Material: HDPE
Color: white, black, red, yellow, white
Diameter: $\phi 1.65 \pm 0.10$ mm
Nominal thickness: 0.21 mm
Resistance at 20 °C: 100 MΩ /km min

Wrap
Material: cotton paper

Filler
Material: aramid fiber

Outer jacket
Material: TPU
Color: gray
Diameter: $\phi 7.8 \pm 0.30$ mm
Nominal thickness: 0.70 mm

Tests
Tensile strength: 26 kgf min
Dielectric test: 1500 V dc for 1 minute without breakdown
Bend test at 200 g, $\pm 60^\circ$, 30 cycles /min: 15,000 cycle minimum



Revision:	Date:	Description:
A	9/9/2022	Initial release

Prepared: **MP**
Digitally signed by MP Date: 2022.09.23 14:49:41 -07'00'

Verified: **PB**
Digitally signed by PB Date: 2022.09.26 07:59:16 -07'00'

Dimensions are in millimeters.
Tolerances:
X: ± 0.5 mm
X.X: ± 0.3 mm
X.XX: ± 0.05 mm

Notes:
RoHS compliant
Jacket meets ISO 10993 Biological Compatibility
Phthalate and halogen free
Function test: no open, no short, no intermittent

Description:
Wire, 9C TS, 18 AWG, 150V, 70C, 7.8 mm, TPU, 75A, gray, WBL

TENSILITY

tel 1.541.323.3228 800 877.670.7118
fax 1.541.323.4202 web tensility.com

Size: A Part number: **30-02758**

Scale: 8:1 Sheet 1 of 1