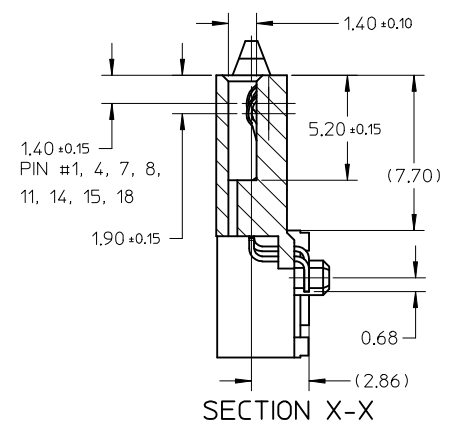
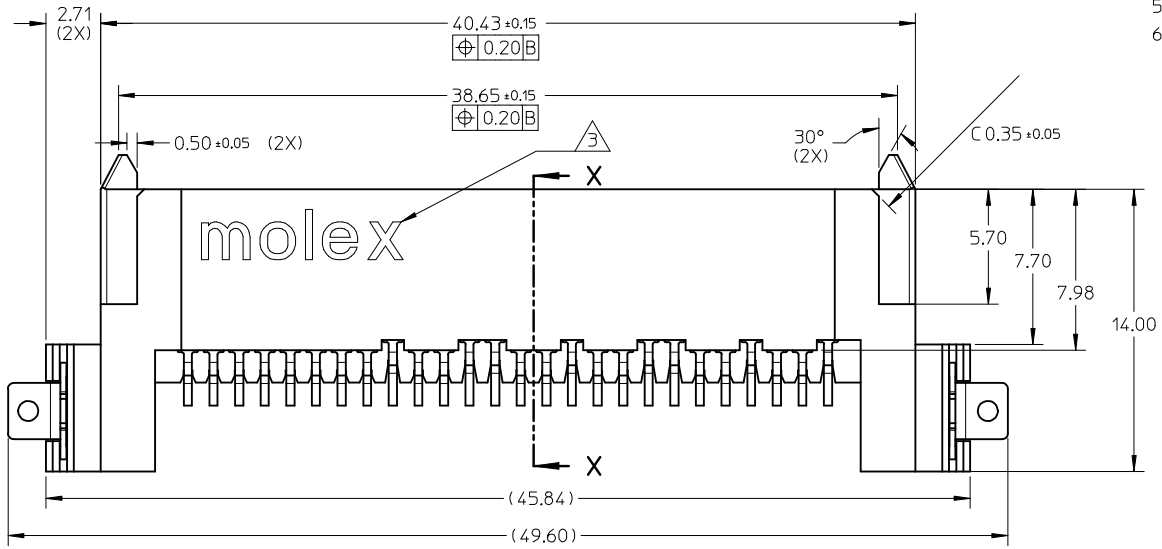
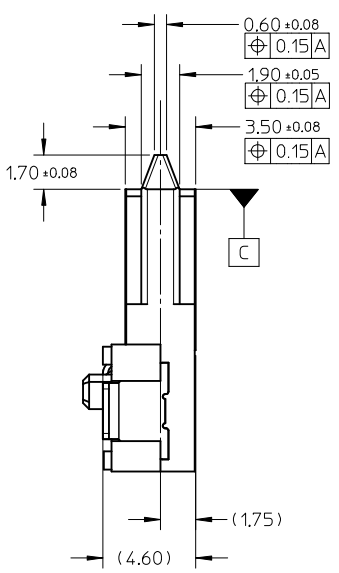


- NOTES:
- MATERIAL:
HOUSING: THERMOPLASTIC, GLASS-FILLED UL-94V-0, BLACK
TERMINAL: COPPER ALLOY
SMT NAIL: COPPER ALLOY
 - PLATING:
CONTACT: 0.38µm MIN. SELECTIVE GOLD
OVER 1.27µm MIN. NICKEL UNDERPLATE.
SOLDERTAIL: 2.54µm MIN. TIN OVER 1.27µm MIN. NICKEL UNDERPLATE.
SMT NAIL: 2.54µm MIN. TIN OVER 1.27µm MIN. NICKEL UNDERPLATE.
 - MOLEX LOGO LOCATED APPROXIMATELY AT SHOWN.
 - NON FUNCTIONAL CORE HOLES ARE SUBJECTED TO CHANGE WITHOUT NOTICE.
 - MATES WITH IVDR PLUG SERIES 78158.
 - BLISTERING ON CAP IS ACCEPTABLE.



molex

RELEASE EC NO: S2008-0173 DRWN: SCHEONG CHKD: CGOH APPR: KCLING	2007/09/17 2007/09/15 2007/09/15	QUALITY SYMBOLS ▽=0 ◻=0	GENERAL TOLERANCES (UNLESS SPECIFIED)		DIMENSION STYLE MM ONLY		SCALE NTS	DESIGN UNITS METRIC	THIRD ANGLE PROJECTION			
				mm	INCH	DRAWN BY SCHEONG	DATE 2007/08/31	TITLE 1.27MM PITCH, 26 CKTS R/A, SMT IVDR RECEPTACLE				
			4 PLACES	± ---	± ---	CHECKED BY CGOH	DATE 2007/09/17	MOLEX MOLEX INCORPORATED				
			3 PLACES	± ---	± ---	APPROVED BY KCLING	DATE 2007/09/18	DOCUMENT NO. SD-78159-001				
			ANGULAR ± 3 °		MATERIAL NO. 78159-0001		SHEET NO. 1 OF 4					
DRAFT WHERE APPLICABLE MUST REMAIN WITHIN DIMENSIONS			SIZE A3		THIS DRAWING CONTAINS INFORMATION THAT IS PROPRIETARY TO MOLEX INCORPORATED AND SHOULD NOT BE USED WITHOUT WRITTEN PERMISSION							

10 9 8 7 6 5 4 3 2 1

F

E

D

C

B

A

F

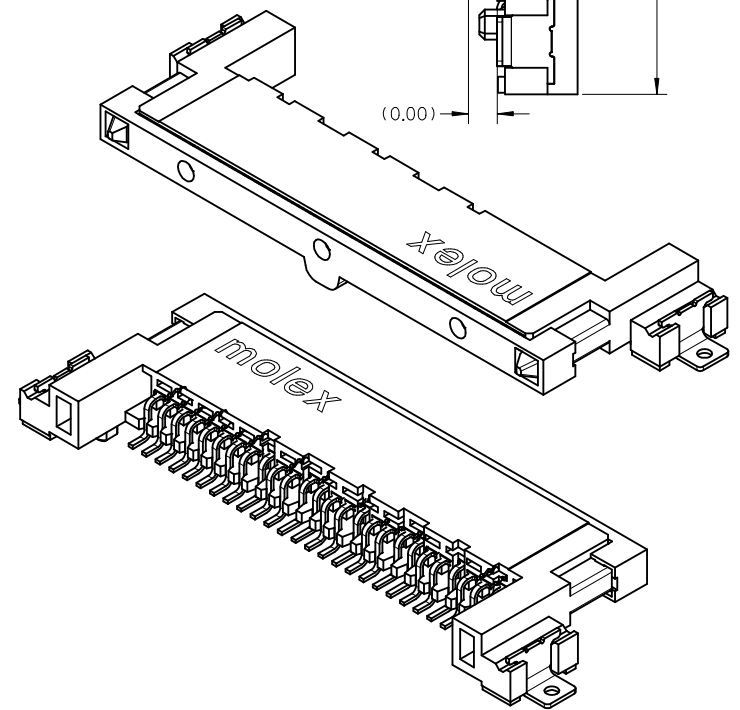
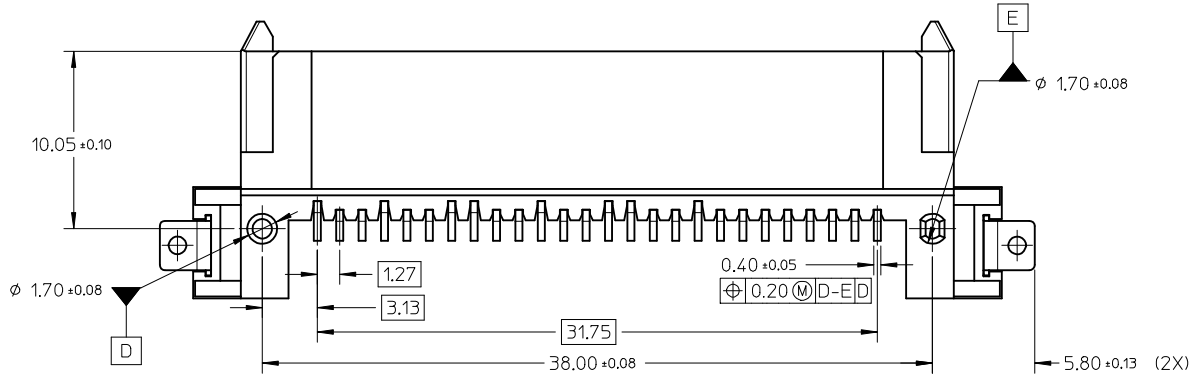
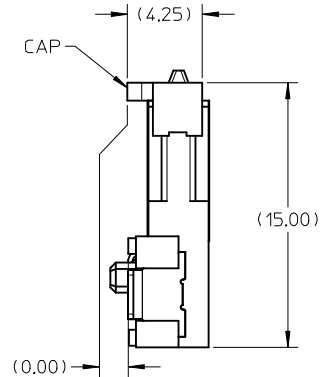
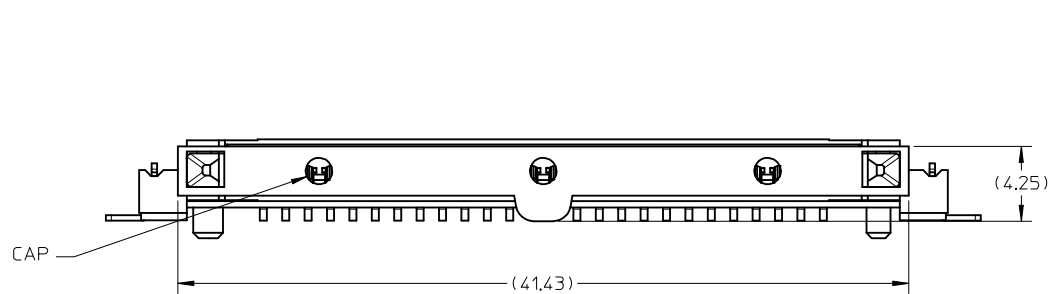
E

D

C

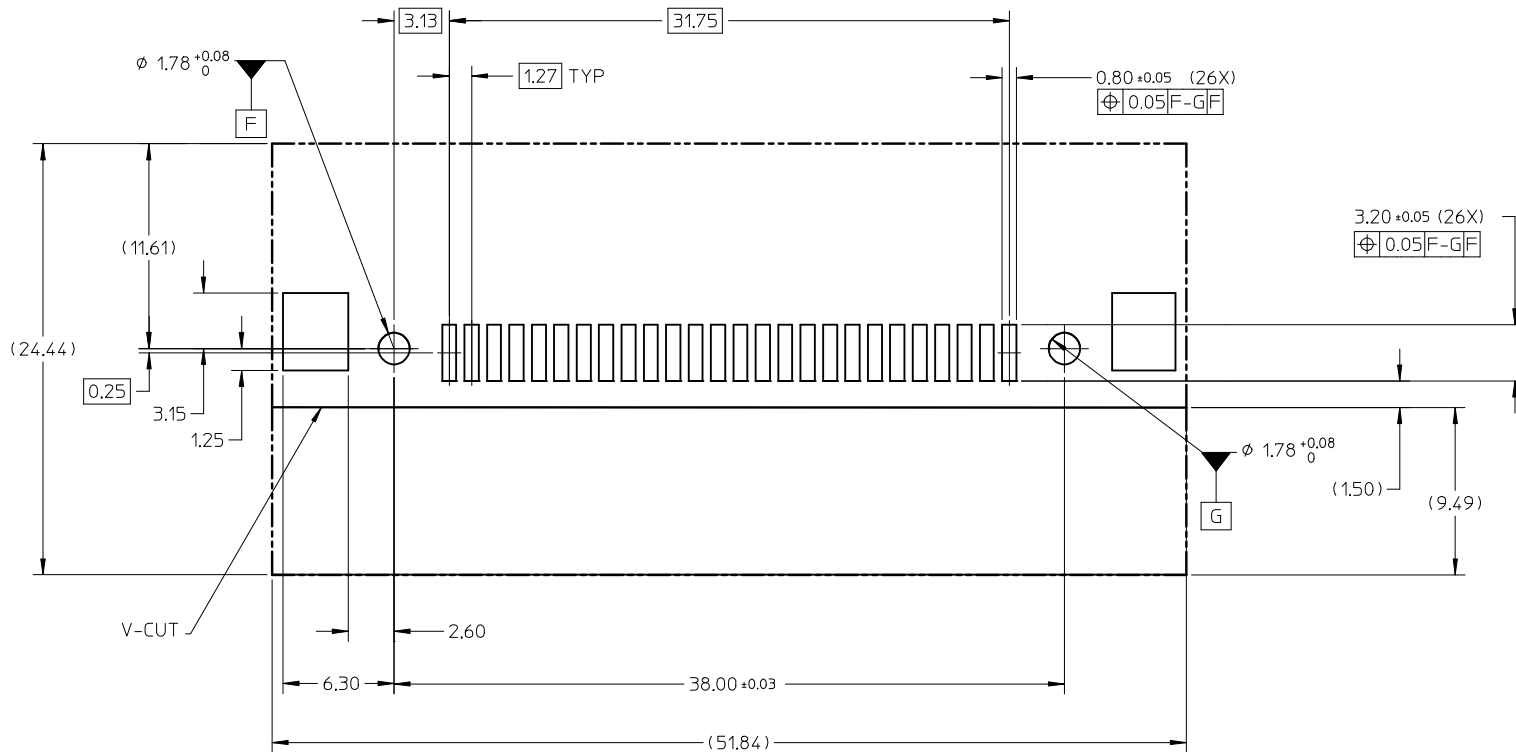
B

A



RELEASE EC NO: S2008-0173 DRWN: SCHEONG 2007/09/17 CHKD: CGOH 2007/09/25 APPR: KCLING 2007/09/25	QUALITY SYMBOLS ▽=0 ◻=0	GENERAL TOLERANCES (UNLESS SPECIFIED)		DIMENSION STYLE MM ONLY		SCALE NTS	DESIGN UNITS METRIC	THIRD ANGLE PROJECTION		
			mm	INCH	DRAWN BY	DATE	TITLE			
		4 PLACES	± ---	± ---	SCHEONG	2007/08/31	1.27MM PITCH, 26 CKTS R/A, SMT IVDR RECEPTACLE			
		3 PLACES	± ---	± ---	CHECKED BY	DATE				
2 PLACES	± 0.20	± ---	CGOH	2007/09/17	MOLEX INCORPORATED					
1 PLACE	± ---	± ---	APPROVED BY	DATE						
	ANGULAR ± 3 °		KCLING	2007/09/18	MATERIAL NO. 78159-0001		DOCUMENT NO. SD-78159-001		SHEET NO. 2 OF 4	
DRAFT WHERE APPLICABLE MUST REMAIN WITHIN DIMENSIONS			THIS DRAWING CONTAINS INFORMATION THAT IS PROPRIETARY TO MOLEX INCORPORATED AND SHOULD NOT BE USED WITHOUT WRITTEN PERMISSION							

9 8 7 6 5 4 3 2 1



RECOMMENDED PCB THICKNESS: 1.60±0.10

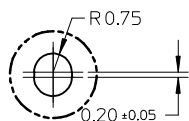
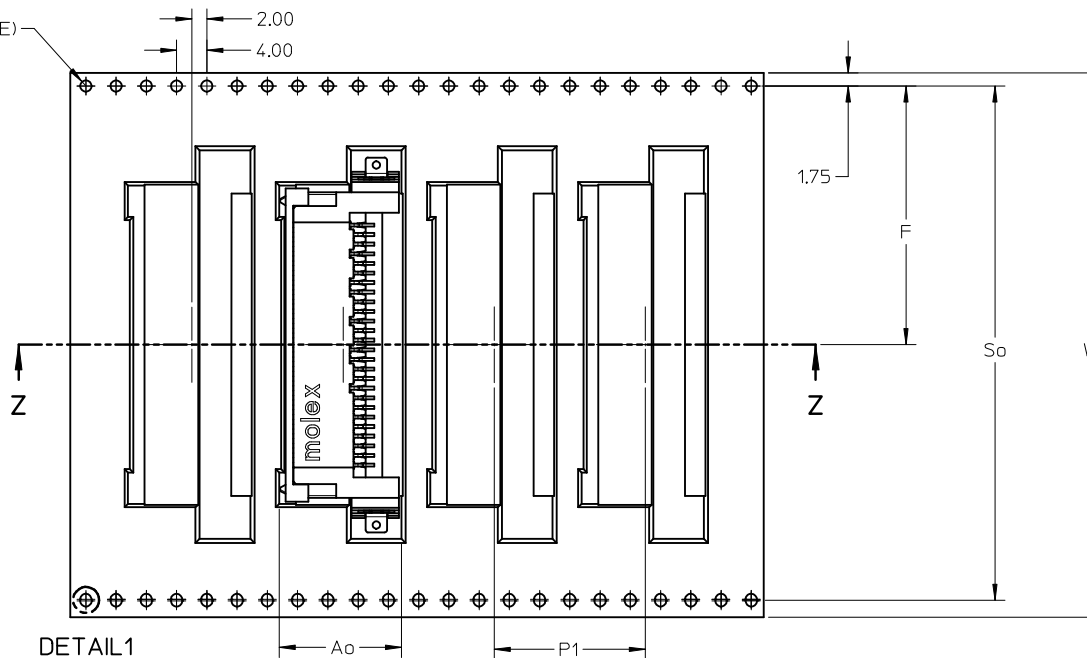
RELEASE EC NO: S2008-0173 DRWN: SCHEONG 2007/09/21 CHKD: CGOH 2007/09/25 APPR: KCLING 2007/09/25	QUALITY SYMBOLS ▽=0 ◻=0	GENERAL TOLERANCES (UNLESS SPECIFIED) mm INCH 4 PLACES ± --- ± --- 3 PLACES ± --- ± --- 2 PLACES ± 0.20 ± --- 1 PLACE ± --- ± --- ANGULAR ± 3 °	DIMENSION STYLE MM ONLY DRAWN BY SCHEONG DATE 2007/08/31 CHECKED BY CGOH DATE 2007/09/17 APPROVED BY KCLING DATE 2007/09/18	SCALE NTS DESIGN UNITS METRIC THIRD ANGLE PROJECTION	TITLE 1.27MM PITCH, 26 CKTS R/A, SMT IVDR RECEPTACLE
	MATERIAL NO. 78159-0001	DOCUMENT NO. SD-78159-001	SHEET NO. 3 OF 4		
	DRAFT WHERE APPLICABLE MUST REMAIN WITHIN DIMENSIONS				
	THIS DRAWING CONTAINS INFORMATION THAT IS PROPRIETARY TO MOLEX INCORPORATED AND SHOULD NOT BE USED WITHOUT WRITTEN PERMISSION				

EMBOSSED CARRIER TAPE PACKAGING DETAILS

Ao	16.18±0.10
Bo	51.30±0.10
Ko	6.35±0.10
F	34.20±0.15
P1	20.00±0.10
So	68.40±0.10
W	72.00±0.30

∅ 1.50^{+0.10}₀ (PILOT HOLE)

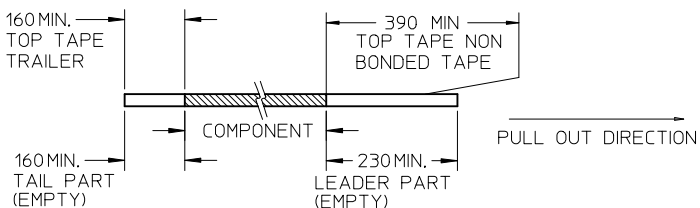
CUSTOMER PULL-OUT DIRECTION



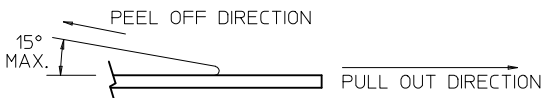
DETAIL 1

NOTES:

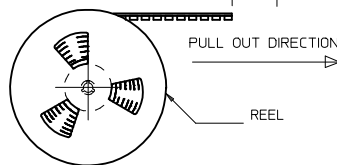
1. LEADER AND TRAILER TAPE



2. PEELING OFF FORCE OF THE TOP TAPE: 20 - 80gf. (PEELING DIRECTION AS SHOWN IN FOLLOWING FIGURE)



- 3. TAPE AND REEL SPECIFICATION IS AS PER EIA-481.
- 4. TAPE AND REEL QUANTITY : 500 PCS/ REEL.
- 5. THE TAPE IS TREATED FOR ANTI-STATIC.



RELEASE EC NO: S2008-0173 DRWN:SCHEONG 2007/09/21 CHKD:CGOH 2007/09/25 APPR:KCLING 2007/09/25	QUALITY SYMBOLS ▽=0 ◻=0	GENERAL TOLERANCES (UNLESS SPECIFIED)		DIMENSION STYLE MM ONLY		SCALE NTS	DESIGN UNITS METRIC	THIRD ANGLE PROJECTION			
		4 PLACES ± --- ± --- 3 PLACES ± --- ± --- 2 PLACES ± 0.20 ± --- 1 PLACE ± --- ± ---	mm INCH ± --- ± --- ± 0.20 ± --- ± --- ± ---	DRAWN BY SCHEONG	DATE 2007/08/31	TITLE 1.27MM PITCH, 26 CKTS R/A, SMT IVDR RECEPTACLE					
		ANGULAR ± 3 °		CHECKED BY CGOH	DATE 2007/09/17	MOLEX INCORPORATED					
		DRAFT WHERE APPLICABLE MUST REMAIN WITHIN DIMENSIONS		APPROVED BY KCLING	DATE 2007/09/18	MATERIAL NO. 78159-0001	DOCUMENT NO. SD-78159-001	SHEET NO. 4 OF 4			