

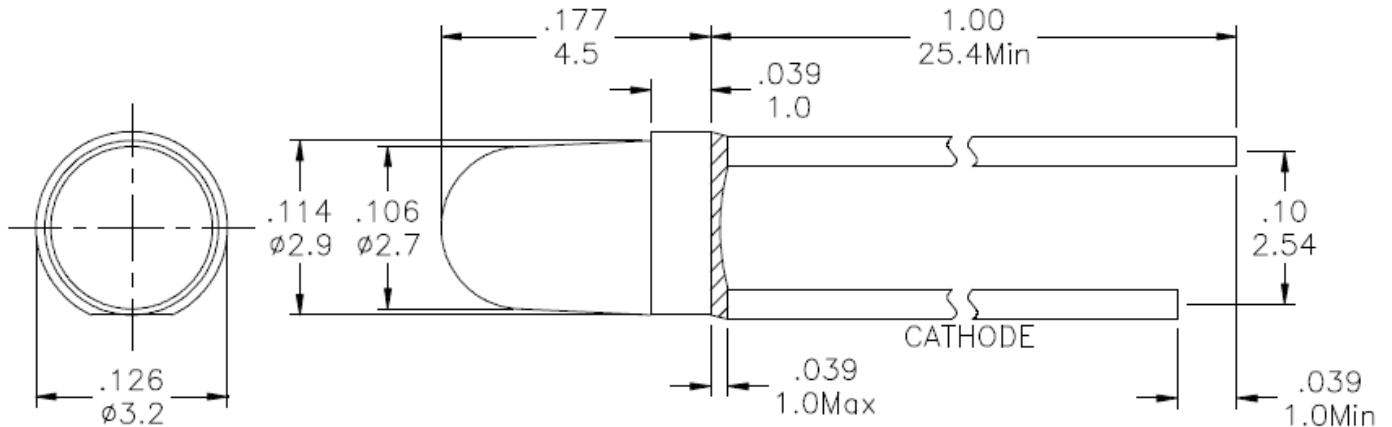


American Opto Plus LED Corp.

L354HD

3mm Red LED Lamp

PACKAGE DIMENSION



Item	Material
Chip	GaP/GaP
Lens	Red Diffused
Emitted Color	Red
Viewing Angel	50°

Note

1. All dimensions are in millimeter (inches); tolerance is ± 0.25 mm (0.01inch)



American Opto Plus LED Corp.

L354HD

3mm Red LED Lamp

ABSOLUTE MAXIMUM RATINGS

(Ta=25°C)

	Symbol	Max. Ratings	Unit
Power Dissipation	P_d	84	mW
Reverse Voltage	V_R	5	V
Forward Current	I_F	30	mA
Pulse Forward Current (1/10 duty cycle @ 1kHz)	I_{fp}	100	mA
Operating Temperature Range	T_{opr}	-40~+80	°C
Storage Temperature Range	T_{stg}	-40~+100	°C
Soldering Temperature	T_{sol}	260°C for 5 sec Max [1.6mm(0.063inch) from body]	

OPTICAL-ELECTRICAL CHARACTERISTICS

(Ta=25°C)

	Symbol	Test Condition	Min	Typ	Max	Unit
Forward Voltage	V_F	$I_F = 20mA$	--	2.2	2.8	V
Peak Wavelength	λ_P		--	695	--	nm
Viewing angle	$2\theta_{1/2}$		--	50	--	Deg
Luminous Intensity	I_v	$I_F = 10mA$	1.0	2.5	--	mcd
Reverse Current	I_R	$V_R = 5V$	--	--	100	μA