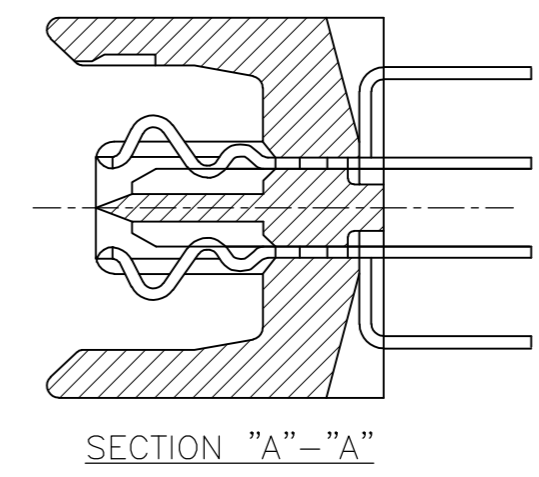
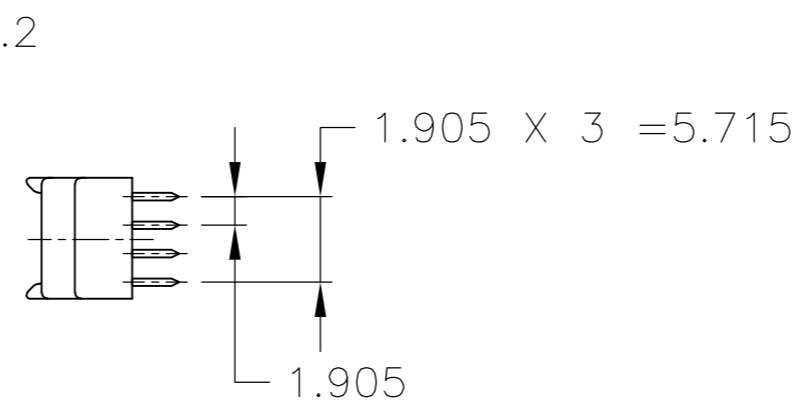
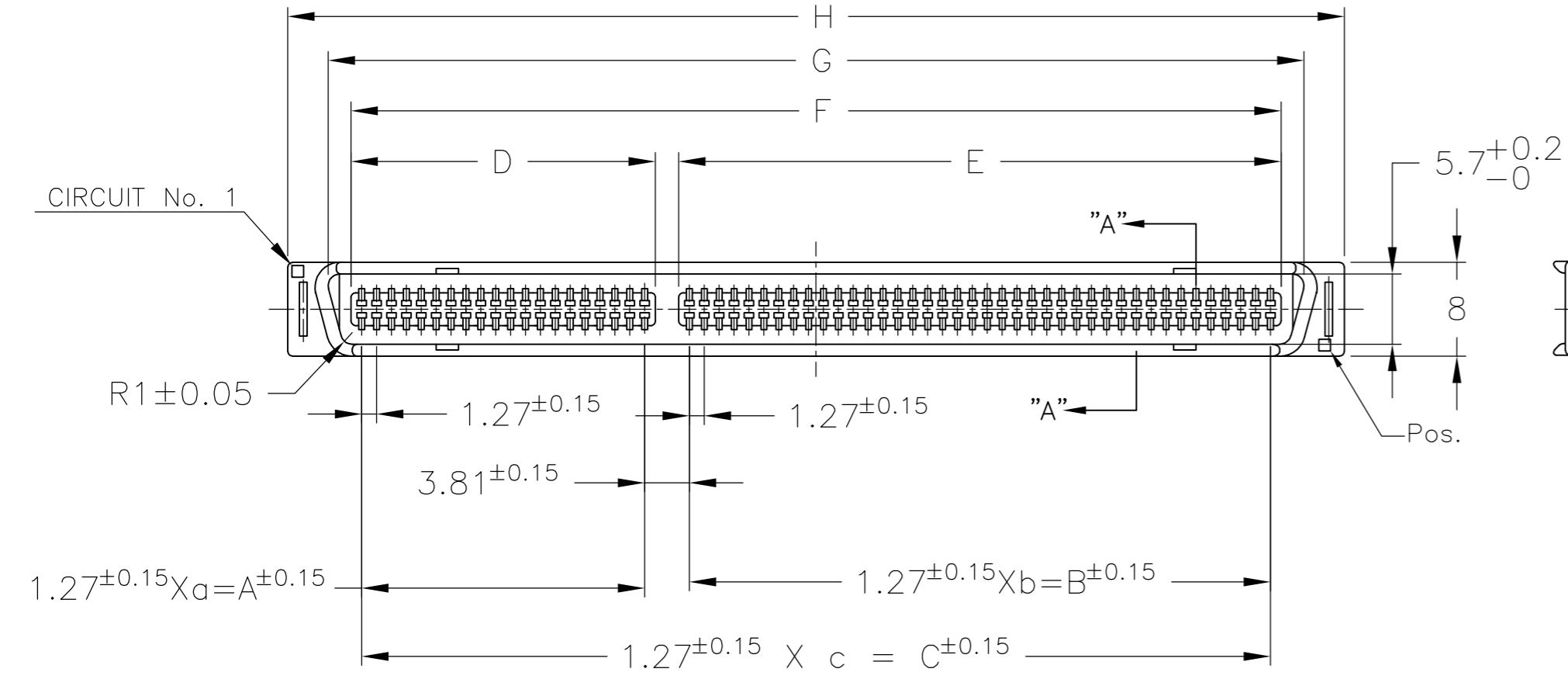
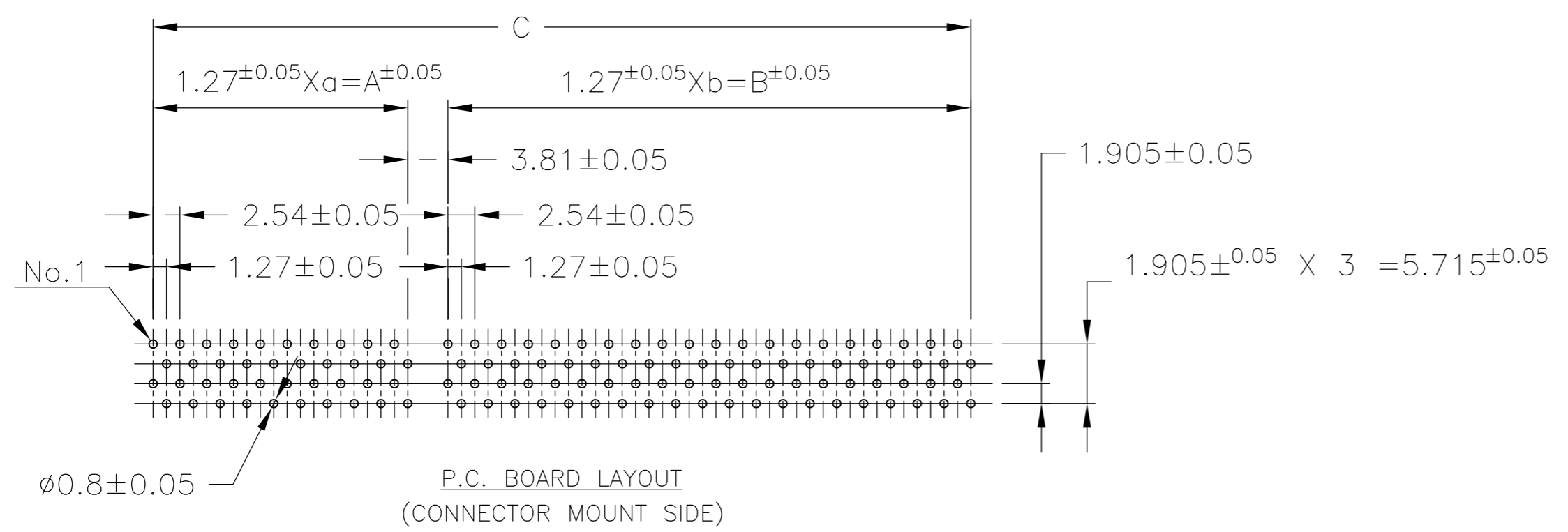
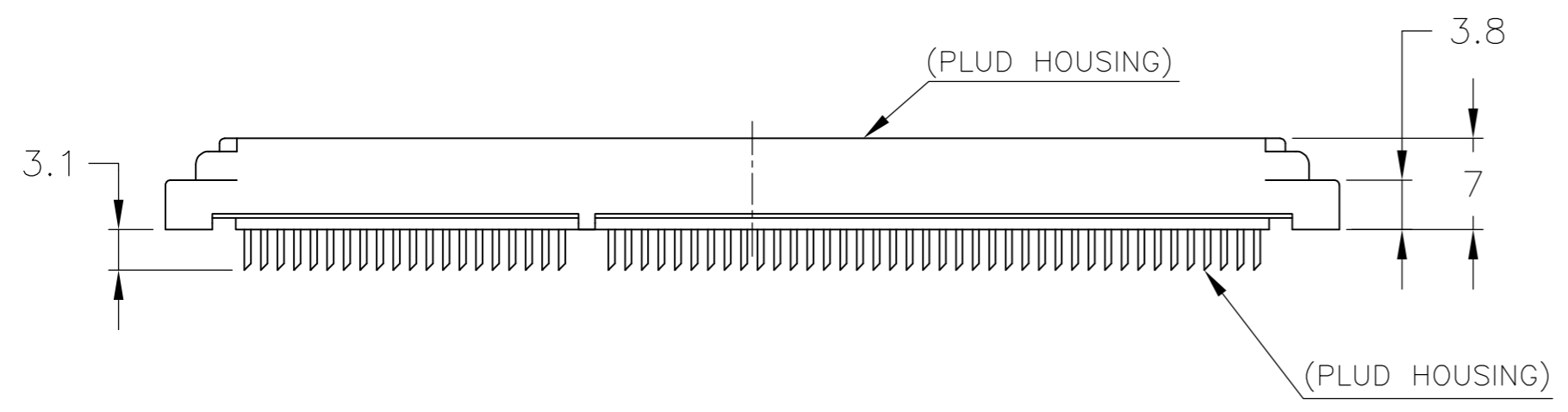
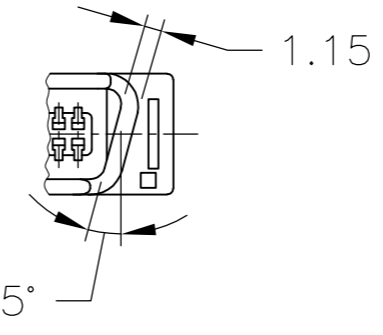


THIS DRAWING IS UNPUBLISHED. RELEASED FOR PUBLICATION
 © COPYRIGHT - By - ALL RIGHTS RESERVED.

LOC		DIST		REVISIONS			
P	LTR	DESCRIPTION		DATE	DWN	APVD	
B2		REVISED PER ECR-12-013086		21DEC2012	Q.J	E.T	



- NOTES:
- 1 MATERIAL: HOUSING, GLASS FILLED NYLON 6T (UL 94V-0) BLACK
CONTACT: PHOSPHOR-BRONZ
 - 2 FINISH: GOLD PLATING ON CONTACT AREA AND TIN-LEAD PLATING ON TINE AREA OVER NICKEL PLATING. GOLD PLATING THICKNESS SHOWN TABLE
 - 3 OBSOLETE PARTS: OBSOLETE CIS STREAMLINING PER D.RENAUD/D,SINISI
 - 4 OBSOLETE



OB2	OBSOLETE	19	24.13	39	49.53	--	77.47	25.93	51.33	79.27	82.71	90.09	0.76µm	120	2-179540-5
OB2	OBSOLETE	--	--	--	--	49	62.23	--	--	64.03	67.47	74.85	0.76µm	100	2-179540-4
		--	--	--	--	39	49.53	--	--	51.33	54.77	62.15	0.76µm	80	4-2-179540-3
		--	--	--	--	29	36.83	--	--	38.63	42.07	49.45	0.76µm	60	2-179540-2
		--	--	--	--	19	24.13	--	--	25.93	29.37	36.75	0.76µm	40	3-2-179540-1
		19	24.13	39	49.53	--	77.47	25.93	51.33	79.27	82.71	90.09	0.3µm	120	179540-5
		--	--	--	--	49	62.23	--	--	64.03	67.47	74.85	0.3µm	100	179540-4
		--	--	--	--	39	49.53	--	--	51.33	54.77	62.15	0.3µm	80	179540-3
OB2	OBSOLETE	--	--	--	--	29	36.83	--	--	38.63	42.07	49.45	0.3µm	60	179540-2
OB2	OBSOLETE	--	--	--	--	19	24.13	--	--	25.93	29.37	36.75	0.3µm	40	179540-1
		a	A	b	B	c	C	D	E	F	G	H	THK OF GOLD	Pos.	P/N

THIS DRAWING IS A CONTROLLED DOCUMENT.

DWN	H.KODOMA	27MAY94
CHK	Y.FUJIURA	28MAY94
APVD	Y.FUJIURA	28MAY94
PRODUCT SPEC		
APPLICATION SPEC		
WEIGHT	--	
CUSTOMER DRAWING		

TE Connectivity

AMP FH CONNECTOR PLUG (VERTICAL)
(HIGH TEMP TYPE)

SIZE	A2	CAGE CODE	00779	DRAWING NO	C=179540	RESTRICTED TO	--
SCALE	NTS	SHEET	1 of 1	REV	B2		

179540