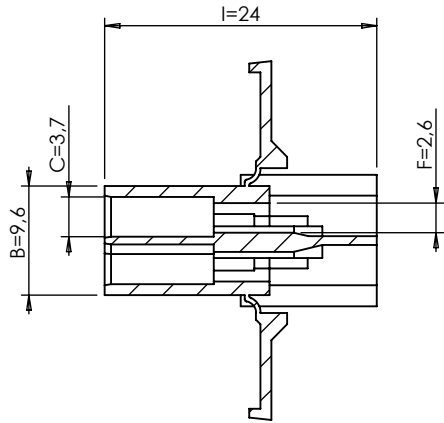
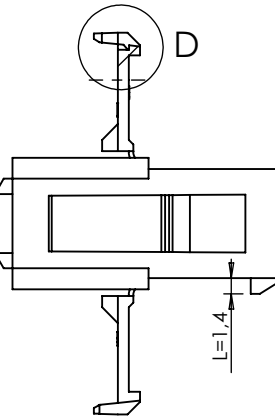
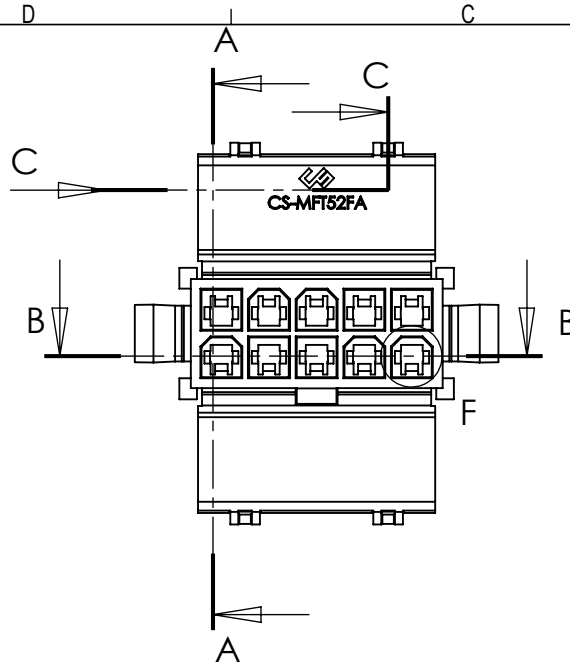


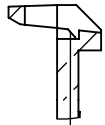
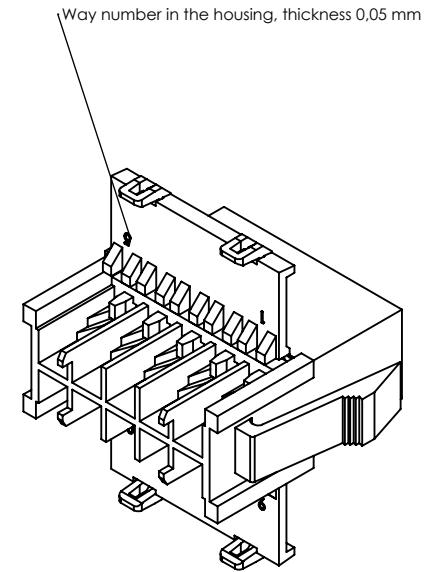
This drawing and all informations contained here can not be used or reproduced, integrity or partially, without written authorization by CS Srl.



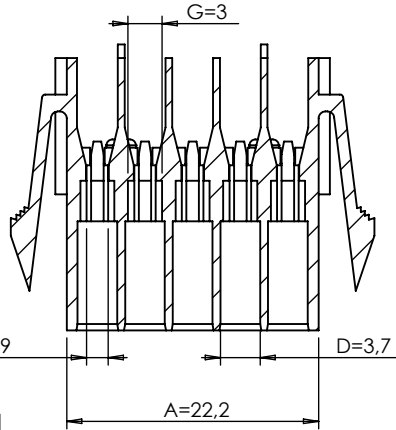
SEZIONE A-A
SCALA 1.5 : 1



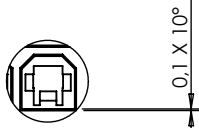
SEZIONE C-C
SCALA 1.5 : 1



DETTAGLIO D
SCALA 3 : 1



SEZIONE B-B
SCALA 1.5 : 1



DETTAGLIO F
SCALA 2 : 1

			CS-MFT52FA	PA66 UL94 V-2
			CS-MFT52FAV0	PA66/66 UL94 V-0
			CS-MFT52FAV0750NF	PA66 UL94 V-0 GWIT 775
			CS-MFT52FA-G	PA6 UL94 V-2 GWIT 775
			PART NUMBER	MATERIAL

DIMENSIONS WITHOUT TOLERANCES		CS-MFT52FAV0	PA66/66 UL94 V-0
∠ ±2°	0 - 6	±0.1	CS-MFT52FAV0750NF PA66 UL94 V-0 GWIT 775
	6 - 30	±0.2	CS-MFT52FA-G PA6 UL94 V-2 GWIT 775
	> 30	±0.3	PART NUMBER MATERIAL

INDEX	MODIFICATION	DATE
<p>CS S.r.l. 20063 CERNUSCO S/N - VIA COMO, 11 TEL +39.02.9210.7404 - FAX +39.02.9210.0217 http://www.csconnectors.com - e-mail: info@csconnectors.com</p>		
CHECKED BY Stefano Galimberti		DATE 18-11-2013
DRAWN BY Stefano Querzoli		DATE 18-11-2013
SCALE	CAD REFER	DESIGN UNITS
1,5:1	Y:\dis\cs\mft\mftxxf\mftxxfa sec lock\tavole\sw\	METRIC
BASE CODE	DESCRIPTION	WEIGHT
CS-MFT52FA	MFT FEMALE CONNECTOR FOR PANEL, 5X2 POLES	
SIZE	INDEX 0	
A4	18-11-2013	