

# Customer Information Sheet

DRAWING No.: S526-46

SHEET 3 OF 3

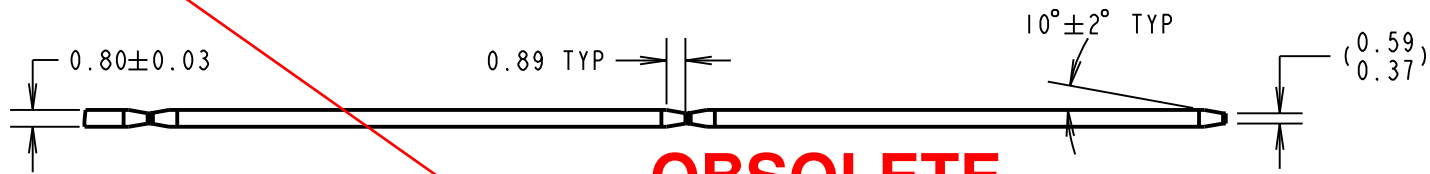
IF IN DOUBT - ASK

©

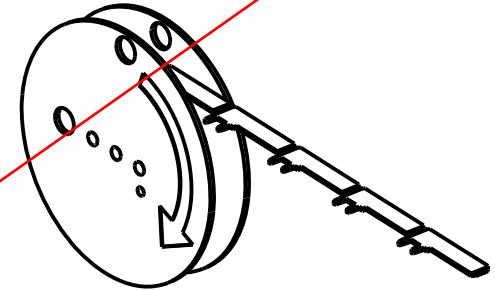
NOT TO SCALE

THIRD ANGLE PROJECTION

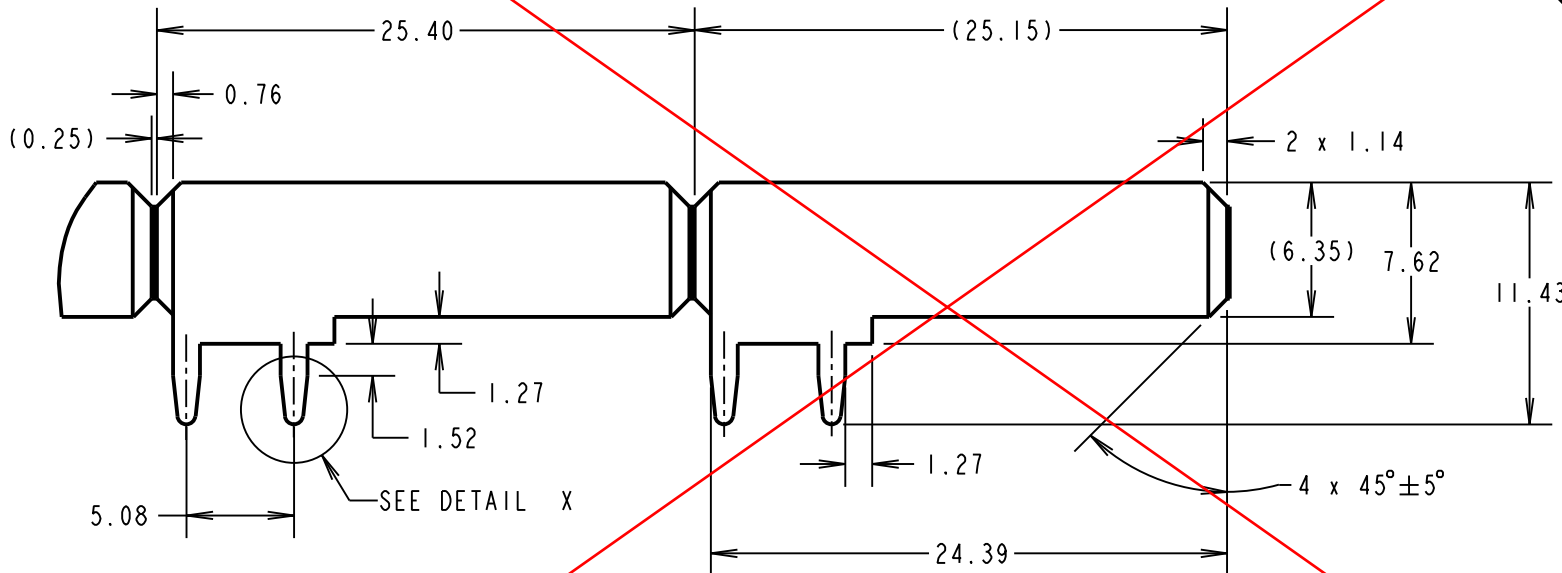
ALL DIMENSIONS IN mm



**OBSOLETE**



COMPONENTS REELED READY FOR INSERTION



- NOTES:
1. QUANTITY OF TABS PER REEL = 5K.
  2. TOTAL WEIGHT PER REEL = 9.80kg (INCLUDING REEL).
  3. RECOMMENDED MOUNTING HOLE SIZE =  $\varnothing 1.25 \pm 0.06$ mm.
  4. ALL TOLERANCES ARE  $\pm 0.13$  UNLESS OTHERWISE STATED.
  5. PLATING THICKNESS =  $4\mu$  100% TIN.

SB	11	17.11.11	11532
NAME	ISS.	DATE	C/NOTE
APPROVED:		S. BENNETT	
CHECKED:		S. FLOWER	
DRAWN:		W. J. BOURNE	
CUSTOMER REF.:			
ASSEMBLY DRG:			

**HARWIN**

www.harwin.com  
technical@harwin.com

THIS DRAWING AND ANY INFORMATION OR DESCRIPTIVE MATTER SET OUT HEREON ARE CONFIDENTIAL AND COPYRIGHT PROPERTY OF THE HARWIN GROUP AND MUST NOT BE DISCLOSED, LOANED, COPIED OR USED FOR MANUFACTURING, TENDERING OR FOR ANY OTHER PURPOSE WITHOUT THEIR WRITTEN PERMISSION.

TOLERANCES  
~~X =  $\pm 1$ mm  
 X.X =  $\pm 0.25$ mm  
 X.XX =  $\pm 0.10$ mm  
 X.XXX =  $\pm 0.01$ mm  
 ANGLES =  $\pm 5^\circ$   
 UNLESS STATED~~

MATERIAL: BRASS CW508L H150 TO BS EN 1652  
 FINISH: SEE ABOVE  
 S/AREA: mm<sup>2</sup>

TITLE: 6.35mm BLADE HORIZONTAL REELED TAB TERMINAL

DRAWING NUMBER: S526-46  
 SHT 3 OF 3