

XLM-8.0-M5

Industrial LCD Monitors (Touch Optional)

Since 1994 EarthLCD has supplied LCD monitor solutions for industrial machines, CRT replacement, point-of-sale and medical equipment. Available interfaces include NTSC, HDMI and VGA. Touchscreens are available in resistive and capacitive touch interfaces. By using our open frame, our LCD expertise has been honed to help customers meet their specific needs.

Earth Computer Technologies, Inc is a maker of industrial LCDs and embedded products including the award-winning ezLCD technology from EarthLCD, the recognized leader in smart touch LCDs.



8.0" Industrial LCD Monitor

Commercial and industrial applications include: ATM machines, industrial equipment, instrumentation, kiosks, military, medical, arcade games, marine, security, test equipment, gaming, or any application requiring a color LCD display.

Features:

- 8.0" SVGA LCD panel with LED backlight
- HDMI, VGA and NTSC/PAL video inputs
- Commercial and Industrial applications
- -20°C ~ +70°C operating temperature range
- 20,000 hours LED life typical
- OSD Controls: contrast, phase, clock, color, H&V position, auto-tune, recall
- Wall Mount Keyholes
- Panavise Mounting Arm included
- +12 volt power supply included

Options (sold separately):

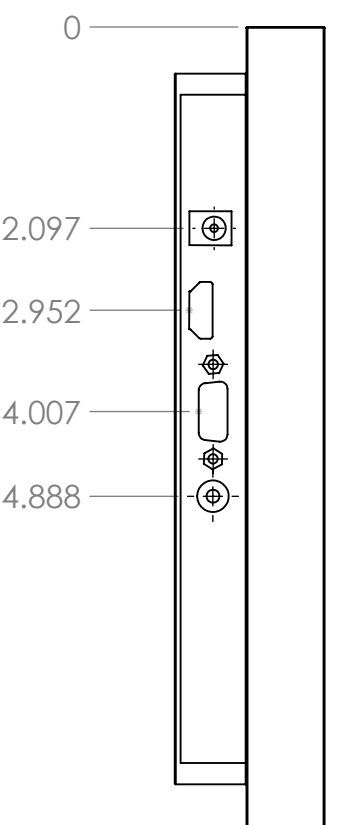
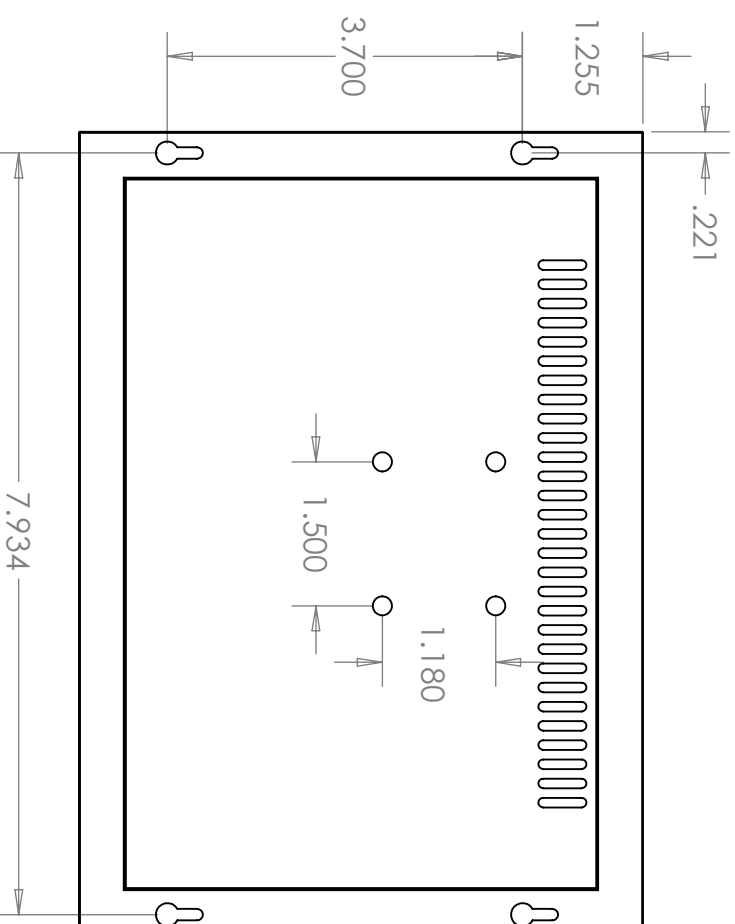
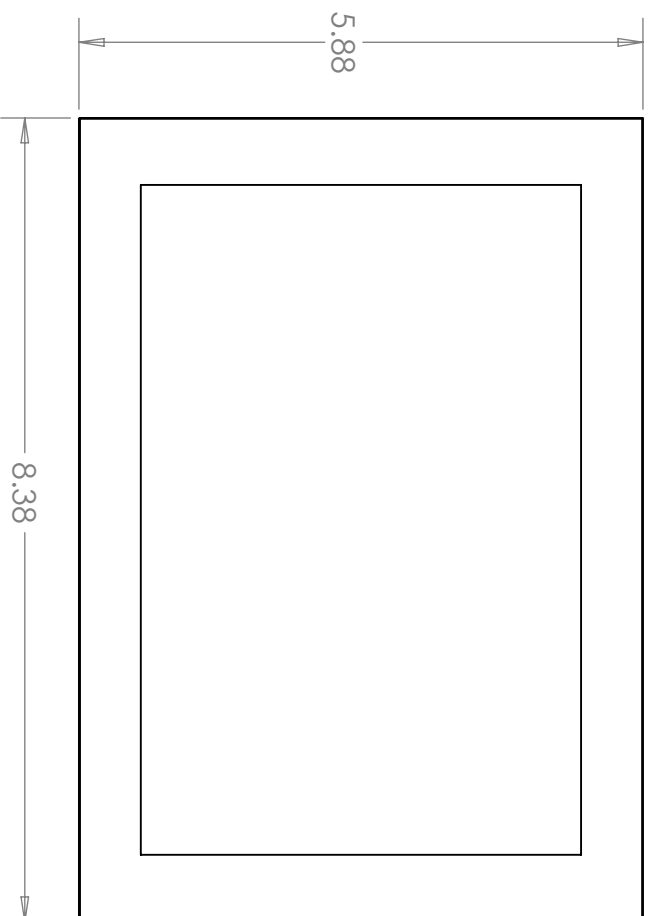
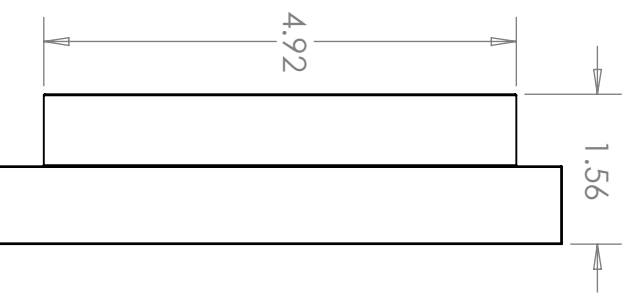
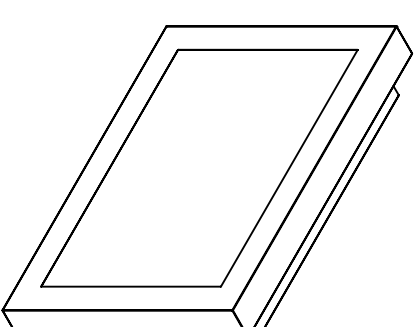
- USB four wire resistive touchscreen
- HDMI or VGA Cable

Product Specifications:

Screen Size (Diagonal): 8.0"
Display Technology: TFT
Resolution: 800 x 600 (SVGA)
Brightness: 250 Nits
Interface Input Modes: VGA
Colors: 262,144
Active Area (mm): 162 x 121.5
Contrast Ratio: 500:1
Horizontal Viewing Angle: 70° L/R
Vertical Viewing Angle: 50° U / 70° D
Operating Temperature: -20°C to 70°C
Storage Temperature: -30°C to 80°C
Input Voltage: +12V DC
Power Consumption: 400 mA
Display Backlight: LED
RoHS Compliant: Yes
Outline Dimensions (mm): 149.4 x 212.9
Outline Dimensions (in): 5.88 x 8.38
Cable Sold Separately
Touch Screen Version Available: Yes

Non-Touch: XLM-8.0-M5
Resistive Touch: XLM-8.0-M5-RT-USB





EarthLCD

TITLE:

SIZE DWG. NO. XLM-8.0-M5

SCALE: 1:2 WEIGHT: SHEET 1 OF 1

NAME	DATE
DRAWN	6/9/2020
CHECKED	
ENG APPR	
MFG APPR	
Q.A.	

UNLESS OTHERWISE SPECIFIED:

DIMENSIONS ARE IN INCHES
 TOLERANCES:
 .XX+.01
 .XXX+.005
 BEND ± 1.0°

PROPRIETARY AND CONFIDENTIAL
 THE INFORMATION CONTAINED IN THIS DRAWING IS THE SOLE PROPERTY OF EARTH COMPUTER TECHNOLOGIES, INC. ANY REPRODUCTION IN ANY MANNER WITHOUT THE WRITTEN PERMISSION OF EARTH COMPUTER TECHNOLOGIES, INC. IS PROHIBITED.

INTERPRET GEOMETRIC TOLERANCING PER: ASME Y14.5-2009

FINISH SEE NOTES
 DO NOT SCALE DRAWING

