

THIS DRAWING IS UNPUBLISHED.  
 © COPYRIGHT BY TYCO ELECTRONICS CORPORATION. ALL RIGHTS RESERVED.

RELEASED FOR PUBLICATION  
 BY TYCO ELECTRONICS CORPORATION.

LOC	DIST	REV	DATE	DATE	DATE
AG 00	00	G1	REV PER ECO-06-013364	120CT0006	BC JH

1 MATERIAL:

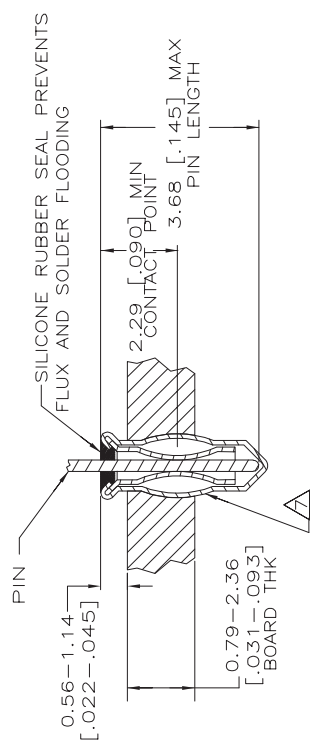
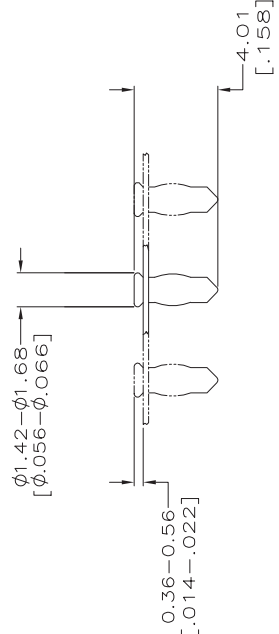
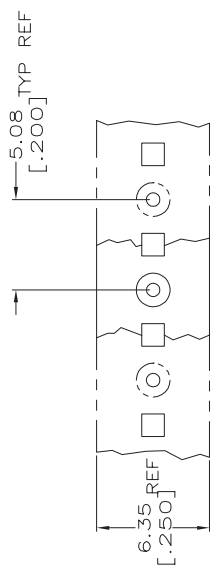
- 2 EYELET - COPPER (QQ-C-576)
- 3 SPRING - BERYLLIUM COPPER (QQ-C-533)
- 4 SEALANT - SILICONE RUBBER
- 5 TIN PLATE (MIL-T-10727)0.00381 [.000150] MIN THK.
- 6 TIN PLATE(MIL-T-10727)0.00254 [.000100] MIN THK.
- 7 GOLD PL(MIL-G-45204)0.00076 [.000030] MIN THK ON CONTACT AREA.
- 8 PACKAGED 50,000 PER REEL

9 TO INSURE 1/2 OZ MIN RETENTION DO NOT EXCEED 0.10 [.004] DIFFERENCE IN PIN DIA WHEN CHANGING TO A SMALLER DIA PIN

10 PRODUCT IS OVALIZED FOR RETENTION IN THE P.C. BOARD. THE RECOMMENDED HOLE DIAMETER IS  $\phi 1.07$  [ $\phi .042$ ] MINIMUM, +0.08 [.003] MAX. PRIOR TO SOLDERING.

11 TIN-LEAD PLATE 0.00381 [.000150] MIN THK.

12 PACKAGED 10,000 PER REEL



LENGTH	DIA	PIN	FINISH	PART NO
2.29-3.68 [.090-.145]	$\phi 0.38-\phi 0.53$ [ $\phi 0.15-\phi 0.21$ ]	GOLD	TIN	1-645947-7
2.29-3.68 [.090-.145]	$\phi 0.38-\phi 0.53$ [ $\phi 0.15-\phi 0.21$ ]	GOLD	TIN	1-645947-6
2.29-3.68 [.090-.145]	$\phi 0.30-\phi 0.46$ [ $\phi 0.12-\phi 0.18$ ]	GOLD	TIN	1-645947-5
2.29-3.68 [.090-.145]	$\phi 0.30-\phi 0.46$ [ $\phi 0.12-\phi 0.18$ ]	TIN	TIN	1-645947-4
2.29-3.68 [.090-.145]	$\phi 0.38-\phi 0.53$ [ $\phi 0.15-\phi 0.21$ ]	GOLD	TIN	1-645947-2
2.29-3.68 [.090-.145]	$\phi 0.38-\phi 0.53$ [ $\phi 0.15-\phi 0.21$ ]	TIN	TIN	1-645947-1
2.29-3.68 [.090-.145]	$\phi 0.38-\phi 0.53$ [ $\phi 0.15-\phi 0.21$ ]	GOLD	TIN	645947-2
2.29-3.68 [.090-.145]	$\phi 0.38-\phi 0.53$ [ $\phi 0.15-\phi 0.21$ ]	TIN	TIN	645947-1
		SPRING	EYELET	

THIS DRAWING IS A CONTROLLED DOCUMENT.

CHG: M. BOEWERS 12-20-82  
 MK: M. MUTZBAUGH 6-10-85  
 MK: G. MILLER 6-10-85

TYCO ELECTRONICS CORPORATION  
 HARRISBURG, PA 17105-3608

MINIATURE SPRING SOCKET ASSY  
 SERIES 1 SHORT  
 WITH SEALANT

SIZE: 114-26004  
 WEIGHT: --  
 FINISH: --

SCALE: 1 of 1  
 SHEET: 1 of 1  
 REV: G1