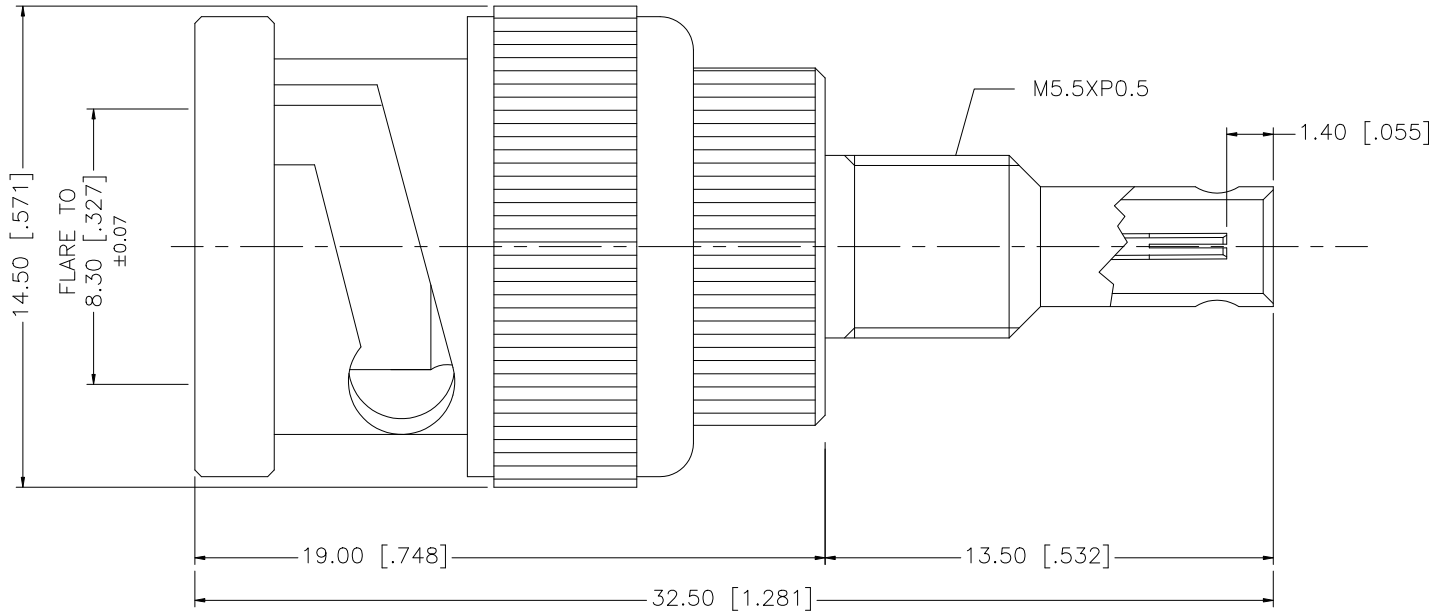


REV.	DATE	DESCRIPTION
NC	07/24/07	INITIAL RELEASE



8					<p>UNLESS OTHERWISE SPECIFIED DIMENSIONS ARE IN MILLIMETERS. DIMENSIONS IN [] ARE IN INCHES AND FOR CUSTOMER REFERENCE ONLY.</p> <p>UNLESS OTHERWISE SPECIFIED TOLERANCES FOR MILLIMETERS ARE: 0.5 - 8mm ± 0.20mm 8 - 30mm ± 0.40mm 30 - 120mm ± 0.50mm</p> <p>UNLESS OTHERWISE SPECIFIED TOLERANCES FOR INCHES ARE: .020 - .315 = ± 0.007" .315 - 1.180 = ± 0.015" 1.180 - 4.724 = ± 0.020"</p>	APPROVALS	DATE	<h1 style="color: blue; text-align: center;">Amphenol Connex</h1>					
7						DRAWN	G.R.S.					07/24/07	
6						CHECKED			PART DESCRIPTION				
5						ISSUED			BNC PLUG TO 1.0/2.3 FEMALE ADAPTER				
4					SHEET	1 OF 1		PART NO.					
3	CONTACT PIN	BER. COPPER	GOLD	1				242231-75					
2	INSULATOR	TEFLON	NATURAL	1				DWG. NO.					
1	BODY	BRASS	GOLD	1				242231-75.DWG					
	DESCRIPTION	MATERIAL	FINISH	QTY	DO NOT SCALE DRAWING			REV.	NC	SIZE	A	SCALE	NA