

4

3

2

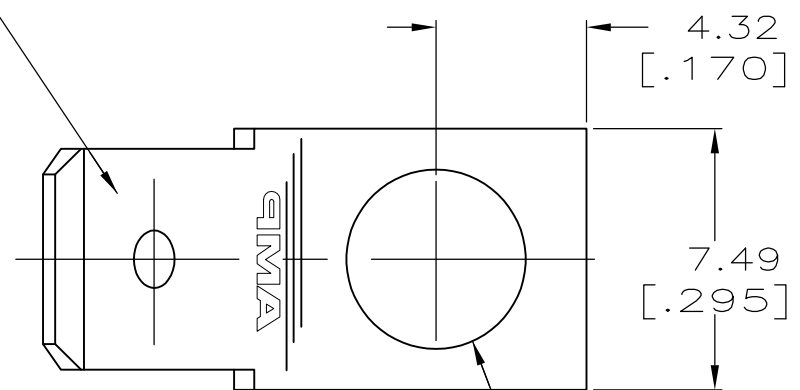
1

THIS DRAWING IS UNPUBLISHED. RELEASED FOR PUBLICATION -,-  
 © COPYRIGHT - By - ALL RIGHTS RESERVED.

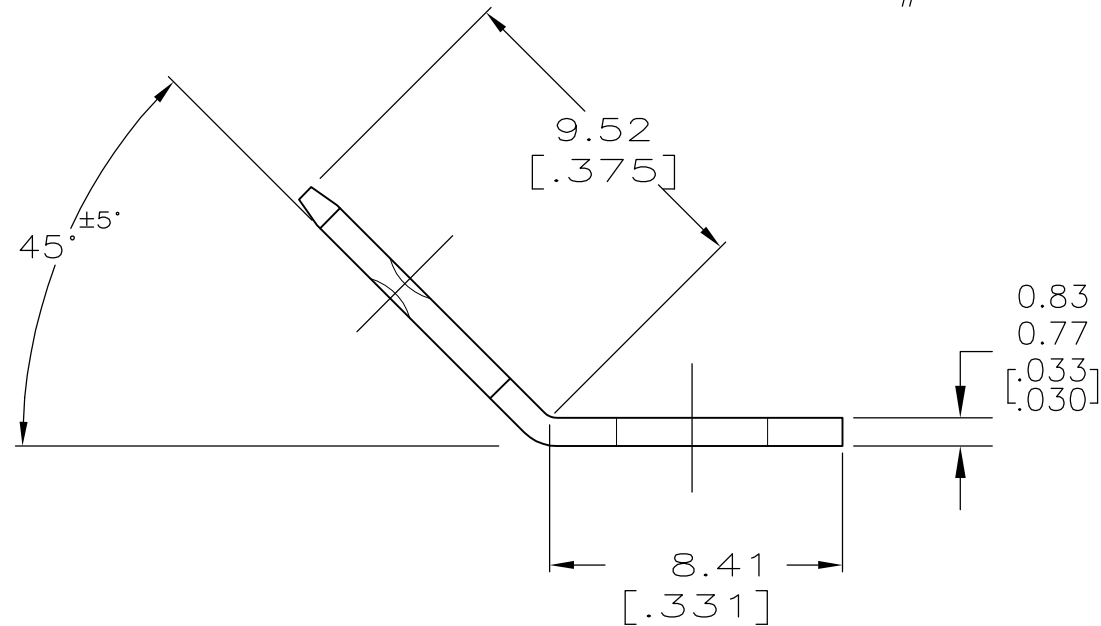
LOC	DIST	REVISIONS					
AF	50	P	LTR	DESCRIPTION	DATE	DWN	APVD
		G1		REVISED PER ECO-11-004917	11MAR11	RK	HMR

1 SUPPLIED IN LOOSE PIECE.

FITS 6.35 [.250] SERIES FASTON RECEPTACLE



±0.076 ±.003  
 5.00 [.197]  
 #10 STUD HOLE



61499-1  
 PART NO

THIS DRAWING IS A CONTROLLED DOCUMENT.		DWN	JR RUTH	11/12/91	 TE Connectivity TAB, FASTON,™ 6.35 [.250] SERIES	RESTRICTED TO		
DIMENSIONS: mm[INCHES]		CHK	MS FEHER	11/12/91		NAME	-	
		APVD	C MEYERS	11/12/91			PRODUCT SPEC	-
		TOLERANCES UNLESS OTHERWISE SPECIFIED:		APPLICATION SPEC		-		
MATERIAL		WEIGHT		SIZE		CAGE CODE	DRAWING NO	REV
082 BRASS		-		A3		00779	C-61499	G1
FINISH		CUSTOMER DRAWING		SCALE		SHEET		REV
TIN				5:1		1 OF 1		G1

**METRIC**