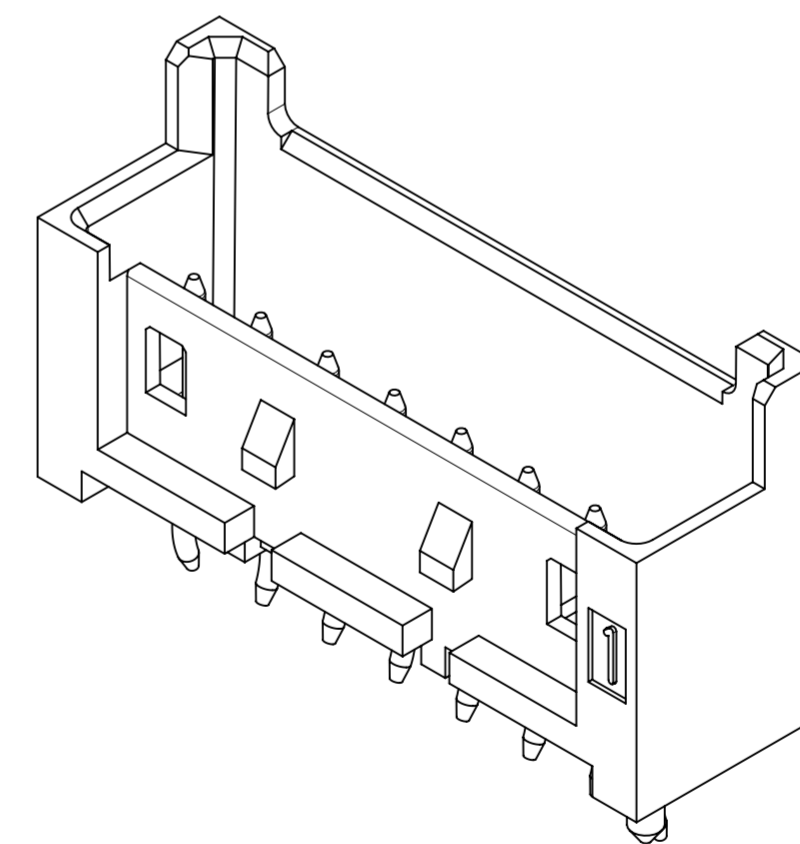


NOTES

1. 材料及び仕上げ(めっき仕様): TABLE 1参照  
MATERIAL AND FINISHES: SEE TABLE 1
2. 製品仕様書: 511630000-PS 000  
PRODUCT SPECIFICATION: 511630000-PS 000
3. 梱包仕様書: 533759200-SPK 200  
PACKAGING SPECIFICATION: 533759200-SPK 200
4. 嵌合相手: 51163 シリーズ  
MATES WITH: 51163 SERIES
5. アプリケーション仕様書(コネクタ取扱い説明書): 2166940000-AS PS 000  
APPLICATION SPECIFICATION(CONNECTOR MANUAL): 2166940000-AS PS 000
6. 偶数極に適合  
APPLY FOR EVEN CIRCUIT
7. 3極以上のキंक形状は両サイドが (A)、その他の極はすべて (B) 形状とする  
KINK FORM  
MORE THAN 2 CIRCUIT :  
PINS AT BOTH ENDS ARE KINK FORMED TO (A).  
THE OTHER PINS ARE KINK FORMED TO (B).

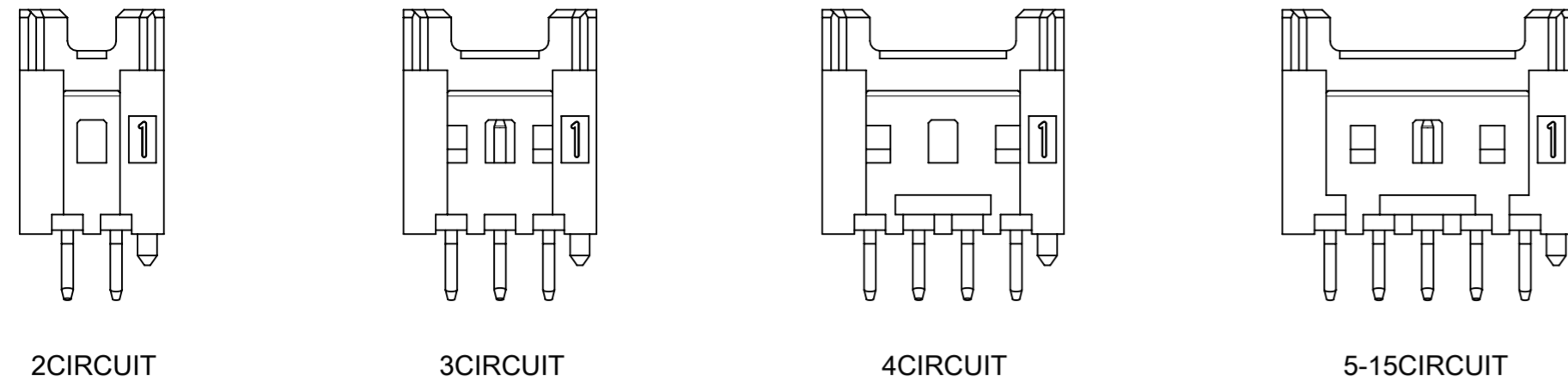


			HOUSING COLOR	
			NATURAL(WHITE)	
38.2	35	39.9	533751510	15
35.7	32.5	37.4	533751410	14
33.2	30	34.9	533751310	13
30.7	27.5	32.4	533751210	12
28.2	25	29.9	533751110	11
25.7	22.5	27.4	533751010	10
23.2	20	24.9	533750910	9
20.7	17.5	22.4	533750810	8
18.2	15	19.9	533750710	7
15.7	12.5	17.4	533750610	6
13.2	10	14.9	533750510	5
10.7	7.5	12.4	533750410	4
8.2	5	9.9	533750310	3
5.7	2.5	7.4	533750210	2
C	B	A	発注番号 ORDER No. 梱包形態: ポリ袋 PACKAGE: POLY BAG	極数 CIRCUIT SIZE

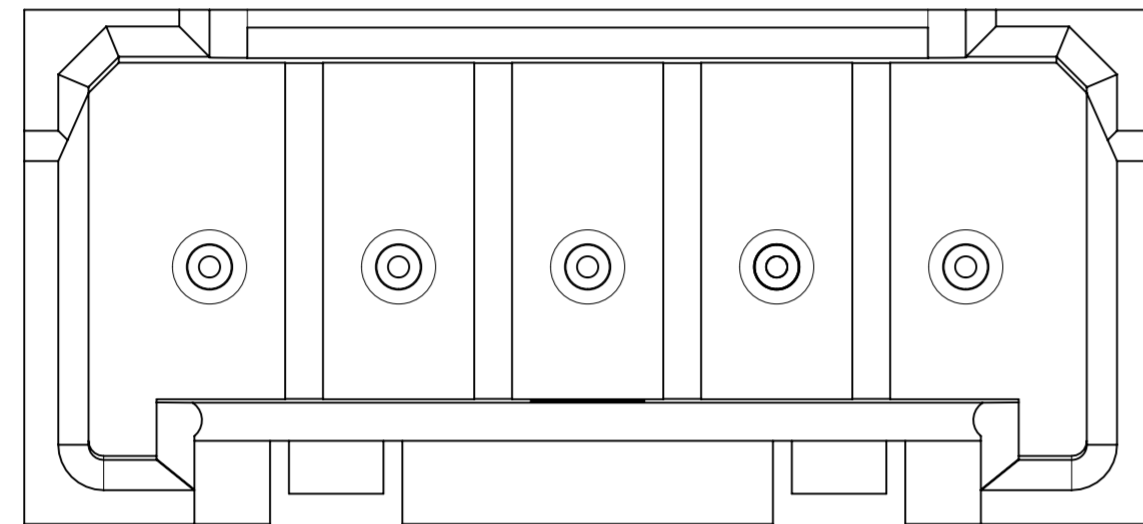
TABLE 1

部品 PART	材料 MATERIAL			
① プラグハウジング PLUG HOUSING	ポリエステル ガラス含有 UL94 V-0 色: ナチュラル(白) POLYESTER(PBT), GLASS FILLED, UL94 V-0, COLOR: NATURAL(WHITE)			
② プラグピン PLUG PIN	りん青銅 PHOSPHOR BRONZE			
	錫めっき: 1.0MICRO METER MINIMUM. TIN PLATING: 1.0MICRO METER MINIMUM.			
	銅めっき(下地めっき): 0.5MICRO METER MINIMUM COPPER PLATING(UNDER PLATING): 0.5MICRO METER MINIMUM.			
DOCUMENT STATUS	P1	RELEASE DATE	2021/04/06	06:45:31

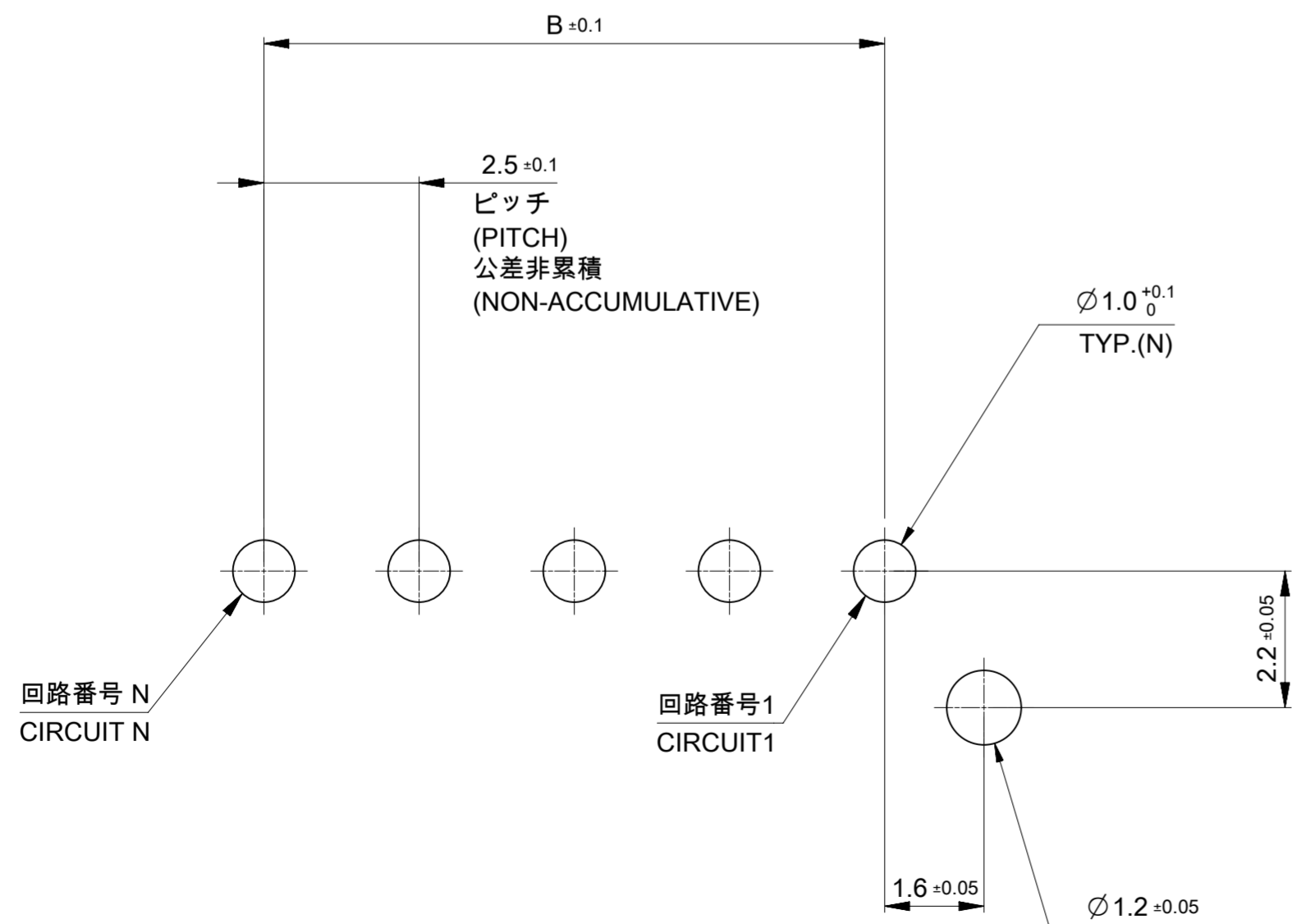
THIS DRAWING CONTAINS INFORMATION THAT IS PROPRIETARY TO MOLEX ELECTRONIC TECHNOLOGIES, LLC AND SHOULD NOT BE USED WITHOUT WRITTEN PERMISSION									
DIMENSION UNITS		SCALE		CURRENT REV DESC:					
mm		NTS							
GENERAL TOLERANCES (UNLESS SPECIFIED)				EC NO: 659548 DRWN: RWATANABE01 2021/03/30 CHK'D: AIDA 2021/04/06 APPR: SAKIYAMA 2021/04/06 INITIAL REVISION: DRWN: RWATANABE01 2019/05/24 APPR: SAKIYAMA 2020/09/28					
ANGULAR TOL ± 3.0°									
4 PLACES		± 0.2							
3 PLACES		± 0.2							
2 PLACES		± 0.2							
1 PLACE		± 0.2		DOCUMENT NUMBER		DOC TYPE		DOC PART	
0 PLACES		± 0.2		533750000-SD		PSD		000	
DRAFT WHERE APPLICABLE MUST REMAIN WITHIN DIMENSIONS				THIRD ANGLE PROJECTION		DRAWING		SERIES	
				A2-SIZE		53375		GENERAL	
						CUSTOMER		SHEET NUMBER	
						GENERAL		1 OF 2	



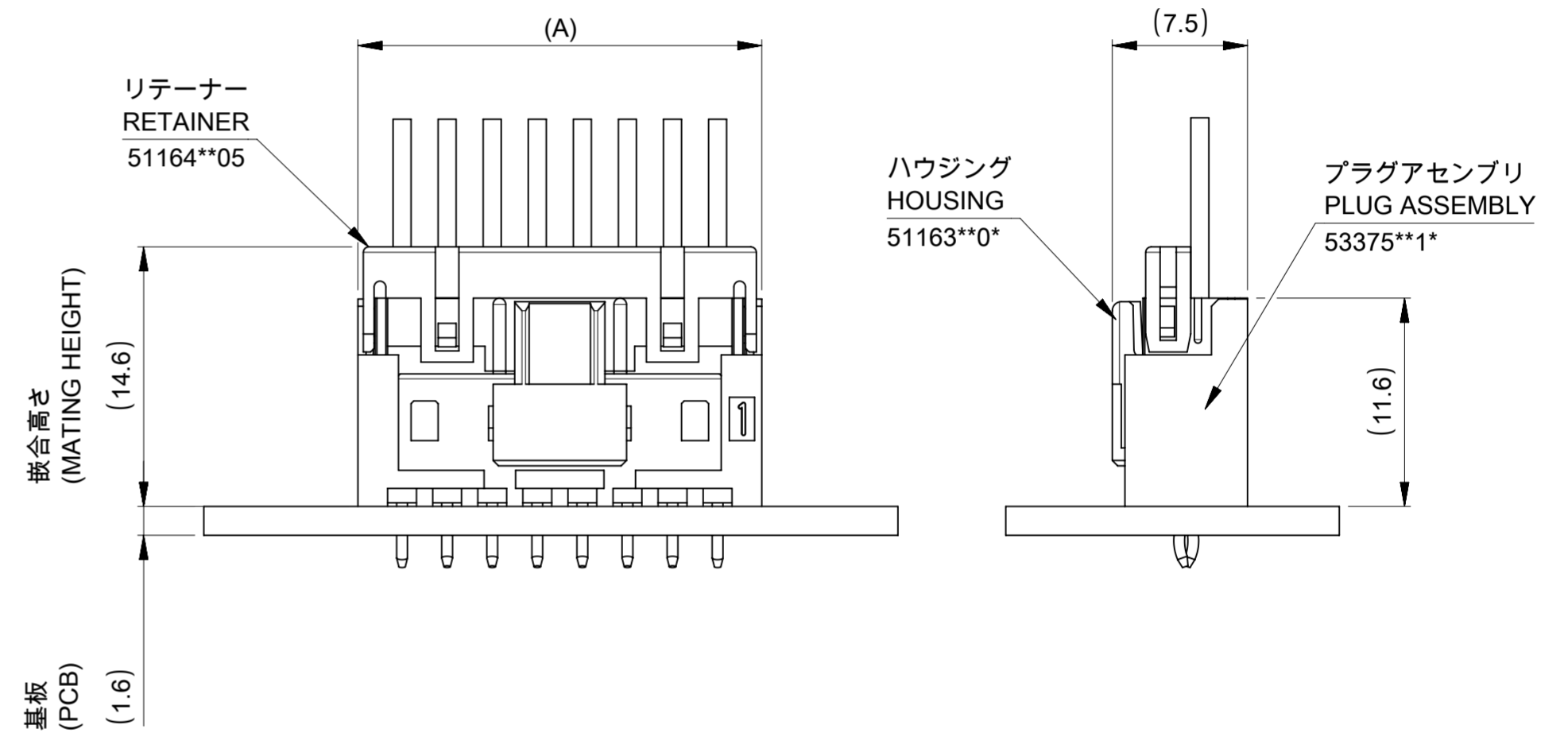
ロック形状図  
LOCK CONFIGURATION



製品レイアウト  
PRODUCT LAYOUT



基板取付穴推奨寸法(マウント面)  
RECOMMENDED PCB HOLE DIMENSION  
(MOUNTING SIDE), (t=1.6)



嵌合図  
MATED CONNECTORS

THIS DRAWING CONTAINS INFORMATION THAT IS PROPRIETARY TO MOLEX ELECTRONIC TECHNOLOGIES, LLC AND SHOULD NOT BE USED WITHOUT WRITTEN PERMISSION													
DIMENSION UNITS		SCALE		CURRENT REV DESC:									
mm		NTS											
GENERAL TOLERANCES (UNLESS SPECIFIED)				<p><b>molex</b></p> <p>MINI-LOCK 2.5 W/B SINGLE ROW VERTICAL PLUG ASSEMBLY</p> <p>PRODUCT CUSTOMER DRAWING</p>									
ANGULAR TOL ± 3.0°													
4 PLACES ± 0.2		EC NO: 659548								DRWN: RWATANABE01		2021/03/30	
3 PLACES ± 0.2		CHK'D: AIDA								2021/04/06		2021/04/06	
2 PLACES ± 0.2		APPR: SAKIYAMA								2021/04/06		2021/04/06	
1 PLACE ± 0.2		INITIAL REVISION:								DRWN: RWATANABE01		2019/05/24	
0 PLACES ± 0.2		APPR: SAKIYAMA		2020/09/28		2020/09/28							
DRAFT WHERE APPLICABLE MUST REMAIN WITHIN DIMENSIONS				THIRD ANGLE PROJECTION		DRAWING		SERIES					
				A2-SIZE		53375							
DOCUMENT NUMBER				CUSTOMER		SHEET NUMBER							
533750000-SD				GENERAL		2 OF 2							