

NOTES:

1. MATERIAL:

CAGE: NICKEL SILVER, 0.25mm THICK  
 EMI STRAPS: PHOS-BRONZE  
 AIR-VENT/LIGHT PIPE HOUSINGS: DIECAST ALLOY  
 LIGHT PIPES: POLYCARBONATE (OPTIONAL)  
 CONNECTOR HOUSING: HIGH TEMPERATURE THERMOPLASTIC  
 TERMINALS: COPPER ALLOY  
 GASKET - CONDUCTIVE ELASTOMER HB/94V-0 SEE OPTIONS.

2. FINISH:

CAGE: UNPLATED  
 EMI STRAPS: 100 MICRONS NICKEL OVERALL  
 AIR-VENT/LIGHT PIPE HOUSINGS: NICKEL OVER COPPER  
 TERMINALS: CONTACT AREA: 0.76 μm MIN. GOLD OVER  
 2.54 μm MIN. NICKEL.

COMPLIANT TAIL:

0.76-1.52 μm MATTE TIN OVER 1.27 μm MIN NICKEL.

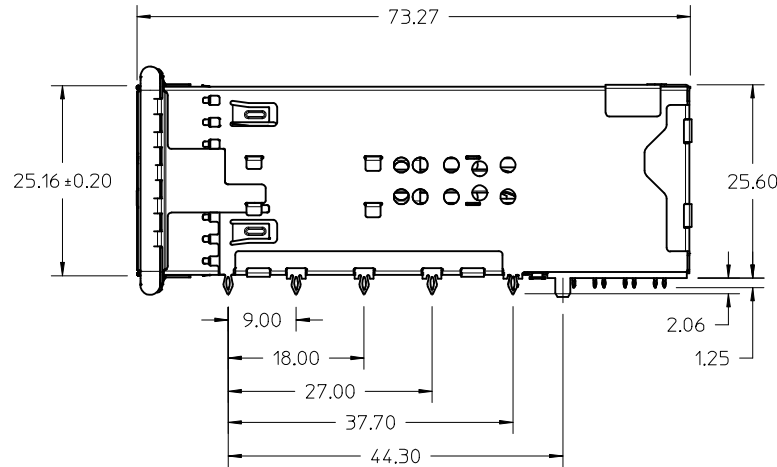
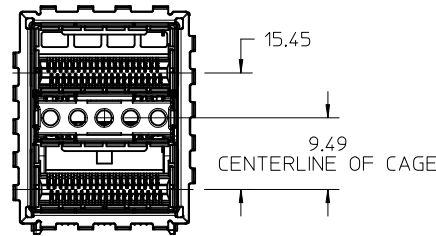
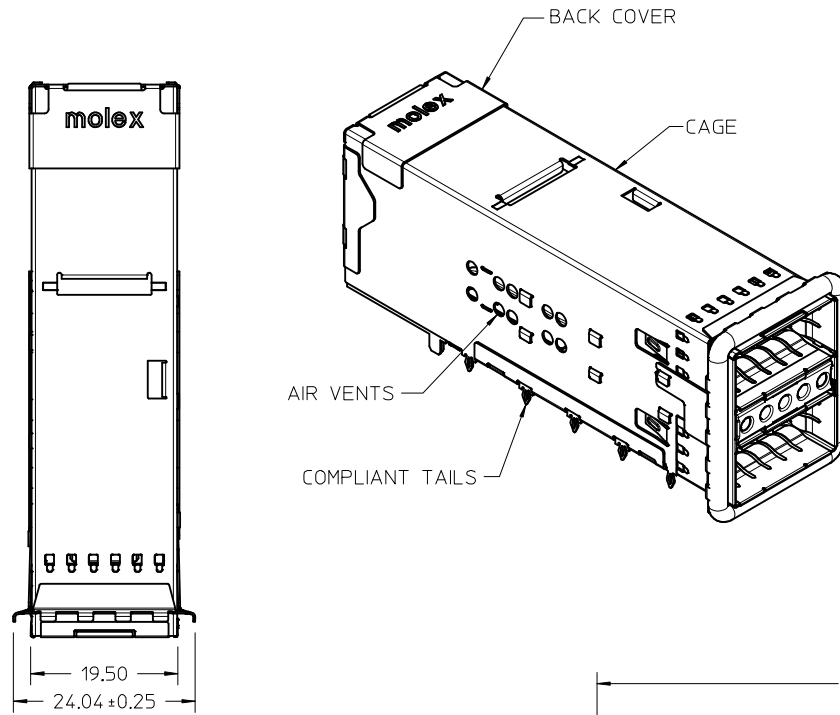
3. PACKAGING: PRODUCT PACKAGED IN TRAYS AND CARTONS

4. ALL VISIBLE EXTERIOR SURFACES TO BE CLASS "B" OR BETTER, EXCEPT FOR THE UNDERSIDE OF THE CAGE AND SHOULD CONFORM TO THE MOLEX COSMETIC STANDARD PS-171233-0001

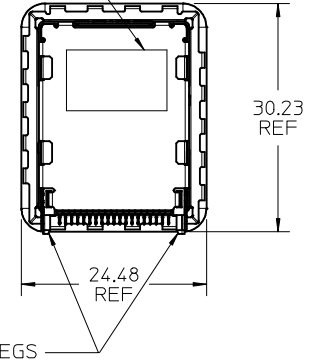
5. CONNECTOR MATES WITH PLUG CABLE SERIES 74757 AND 74758

6. DATE CODE LOCATION SHOWN

DATE CODE FORMAT:DDD  
 DDD= DAY OF THE YEAR  
 Y= YEAR

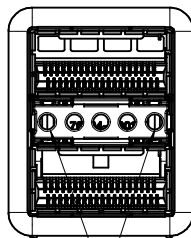


DATE CODE LOCATION  
 SEE NOTE 6



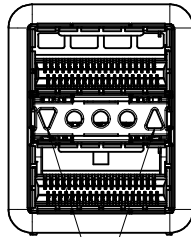
PART NUMBER	DESCRIPTION	GASKET
76871-0005	NO LIGHT PIPES	STANDARD
76871-0006	LEFT LP DOWN	STANDARD
76871-0008	LEFT LP UP	STANDARD
76871-0015	NO LIGHT PIPES	94V-0
76871-0016	LEFT LP DOWN	94V-0
76871-0018	LEFT LP UP	94V-0

ADDED 94V-0 PART NUMBERS EC NO: UCP2014-5082 DRAWN/HAVERY 2014/06/03 CHKD: APPR: MBANAKIS 2014/06/05	QUALITY SYMBOLS	GENERAL TOLERANCES (UNLESS SPECIFIED)	DIMENSION STYLE	SCALE	DESIGN UNITS	THIRD ANGLE PROJECTION
	▽=0	mm INCH	MM ONLY	2:1	METRIC	
	▽=0	4 PLACES ± --- ± ---	DRAWN BY DATE	TITLE		
	▽=0	3 PLACES ± --- ± ---	JJANTELEZ10 2010/04/30	QSF PLUS ASSEMBLY STACKED 2X1		
		2 PLACES ± 0.13 ± ---	CHECKED BY DATE	MOLEX INCORPORATED		
		1 PLACE ± 0.25 ± ---	JJANTELEZ10 2010/04/30	SD-76871-001		
		ANGULAR ± 1/2°	APPROVED BY DATE	SHEET NO.		
			MBANAKIS 2010/10/22	1 OF 3		
			MATERIAL NO.	DOCUMENT NO.		
		DRAFT WHERE APPLICABLE MUST REMAIN WITHIN DIMENSIONS	SEE CHART	THIS DRAWING CONTAINS INFORMATION THAT IS PROPRIETARY TO MOLEX INCORPORATED AND SHOULD NOT BE USED WITHOUT WRITTEN PERMISSION		



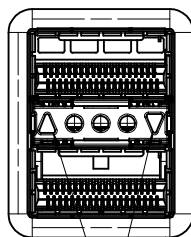
NO LIGHT PIPES

P/N 768710001/  
768710005  
76871-0015



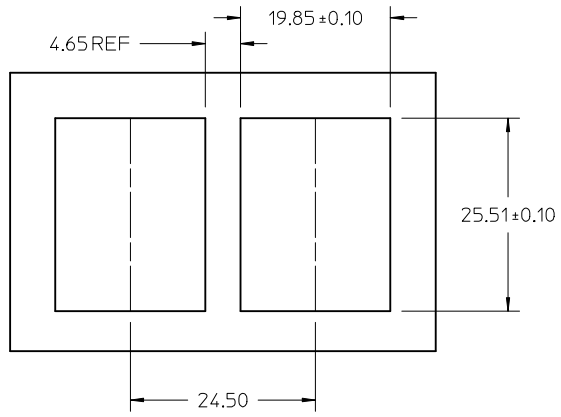
PORT ACTIVITY INDICATORS  
LIGHT PIPES

P/N 768710002/  
768710006  
768710016

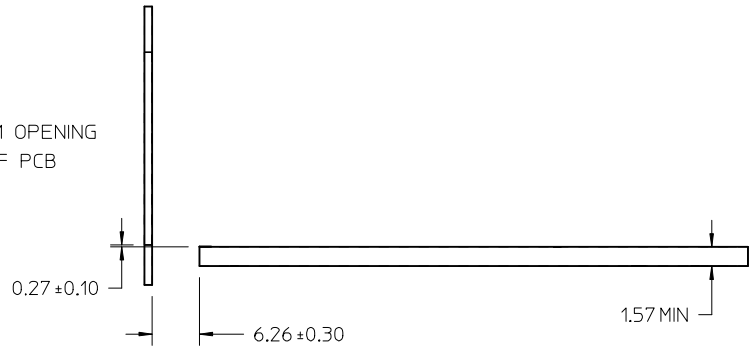


PORT ACTIVITY INDICATORS  
LIGHT PIPES

P/N 768710004/  
768710008  
768710018

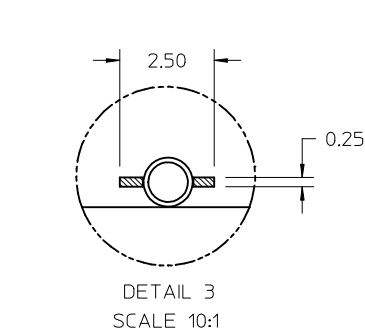


PANEL FROM OPENING  
TO TOP OF PCB



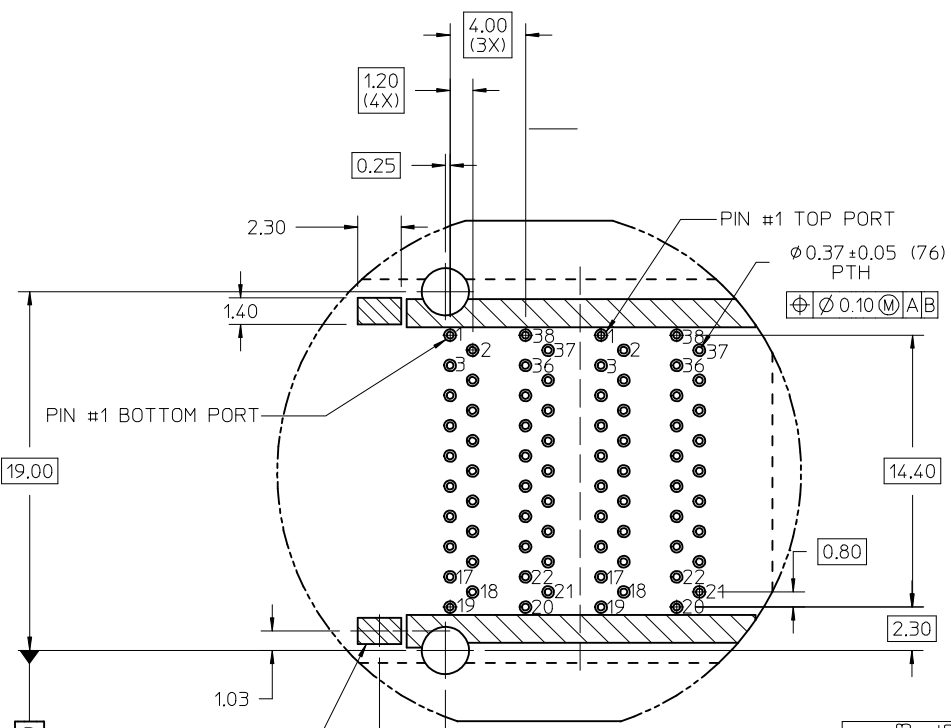
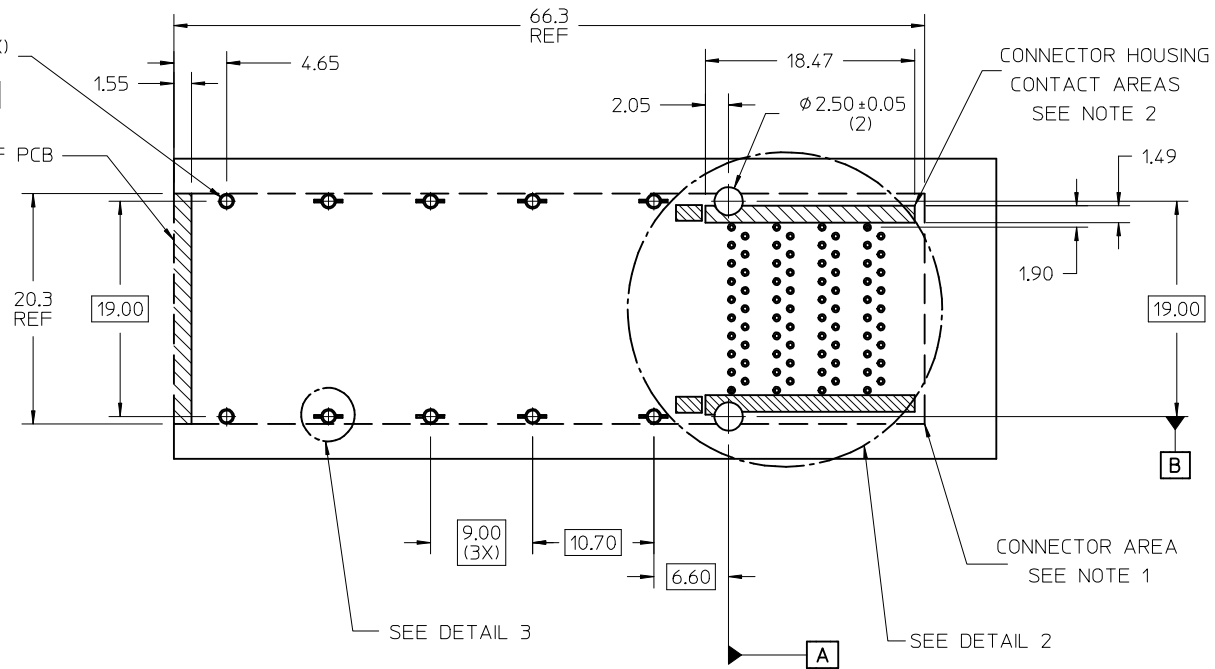
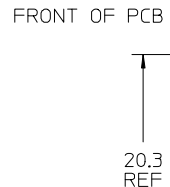
RECOMMENDED PANEL CUT-OUT

SEE SHEET 1 EC NO: UCP2014-5082 DRWN:HAVERY 2014/06/03 CHKD: APPR:MBANAKIS 2014/06/05	QUALITY SYMBOLS ▽=0 ▽=0 ▽=0	GENERAL TOLERANCES (UNLESS SPECIFIED) <table border="1"> <tr> <th></th> <th>mm</th> <th>INCH</th> </tr> <tr> <td>4 PLACES</td> <td>± ---</td> <td>± ---</td> </tr> <tr> <td>3 PLACES</td> <td>± ---</td> <td>± ---</td> </tr> <tr> <td>2 PLACES</td> <td>± 0.13</td> <td>± ---</td> </tr> <tr> <td>1 PLACE</td> <td>± 0.25</td> <td>± ---</td> </tr> </table> ANGULAR ±1/2°		mm	INCH	4 PLACES	± ---	± ---	3 PLACES	± ---	± ---	2 PLACES	± 0.13	± ---	1 PLACE	± 0.25	± ---	DIMENSION STYLE <b>MM ONLY</b> DRAWN BY DATE JJANTELEZIO 2010/04/30 CHECKED BY DATE JJANTELEZIO 2010/04/30 APPROVED BY DATE MBANAKIS 2010/10/22	SCALE <b>2:1</b> DESIGN UNITS METRIC THIRD ANGLE PROJECTION	TITLE <b>QSFP PLUS ASSEMBLY STACKED 2X1</b>
		mm	INCH																	
	4 PLACES	± ---	± ---																	
	3 PLACES	± ---	± ---																	
2 PLACES	± 0.13	± ---																		
1 PLACE	± 0.25	± ---																		
MATERIAL NO. <b>SEE SHEET 1</b>	DOCUMENT NO. <b>SD-76871-001</b>	SHEET NO. 2 OF 3																		
DRAFT WHERE APPLICABLE MUST REMAIN WITHIN DIMENSIONS																				
THIS DRAWING CONTAINS INFORMATION THAT IS PROPRIETARY TO MOLEX INCORPORATED AND SHOULD NOT BE USED WITHOUT WRITTEN PERMISSION																				



DETAIL 3  
SCALE 10:1  
TRACE KEEP-OUT ZONE  
AROUND PRESS-FIT TAIL HOLES

$\phi 1.05 \pm 0.05$  (10X)  
PTH  
 $\phi \phi 0.10$  (M) AB



$\phi 0.37 \pm 0.05$  (76)  
PTH  
 $\phi \phi 0.10$  (M) AB

NOTES:

1. THE ENTIRE AREA UNDER THE CONNECTOR (DASHED LINES) IS TO BE CONSIDERED A KEEP-OUT AREA FOR COMPONENTS.
2. HATCHED AREAS REPRESENT ZONES ON THE PCB THAT COME IN CONTACT WITH OR BE IN CLOSE PROXIMITY TO THE PLASTIC HOUSING OR THE CONNECTOR CAGE. INDICATED AREAS TO BE CONSIDERED TRACE FREE.
3. PIN NUMBERS ARE PER THE STANDARD. BOTH PORTS ARE IN THE SAME (UP-UP) MODULE ORIENTATION.
4. LED KEEP-IN ZONE DEFINES THE PHYSICAL SPACE ALLOWED FOR PLACEMENT OF SMD CHIP STYLE LED PACKAGES. KEEP-IN ZONE EXTENDS VERTICALLY TO 0.8mm ABOVE THE TOP SIDE OF BOARD.
5. SEE APPLICATION SPEC AS-76870-001 FOR RECOMMENDED DRILL HOLE SIZE.

SEE SHEET 1 EC NO: UCP2014-5082 DRWN:HAVERY 2014/06/03 CHKD: APPR:MBANAKIS 2014/06/05	QUALITY SYMBOLS $\nabla = 0$ $\nabla = 0$ $\nabla = 0$	GENERAL TOLERANCES (UNLESS SPECIFIED)		DIMENSION STYLE MM ONLY		SCALE 3:1	DESIGN UNITS METRIC	THIRD ANGLE PROJECTION		
				mm	INCH	DRAWN BY JJANTELEZ10	DATE 2010/04/30	TITLE QSFP PLUS ASSEMBLY STACKED 2X1		
		4 PLACES $\pm$ --- $\pm$ ---				CHECKED BY	DATE	MATERIAL NO.		
		3 PLACES $\pm$ --- $\pm$ ---				APPROVED BY MBANAKIS	DATE 2010/10/22	DOCUMENT NO. SD-76871-001		
2 PLACES $\pm 0.13$ $\pm$ ---				DRAFT WHERE APPLICABLE MUST REMAIN WITHIN DIMENSIONS		SEE SHEET 1		SHEET NO. 3 OF 3		
1 PLACE $\pm 0.25$ $\pm$ ---				ANGULAR $\pm 1/2^\circ$		THIS DRAWING CONTAINS INFORMATION THAT IS PROPRIETARY TO MOLEX INCORPORATED AND SHOULD NOT BE USED WITHOUT WRITTEN PERMISSION				