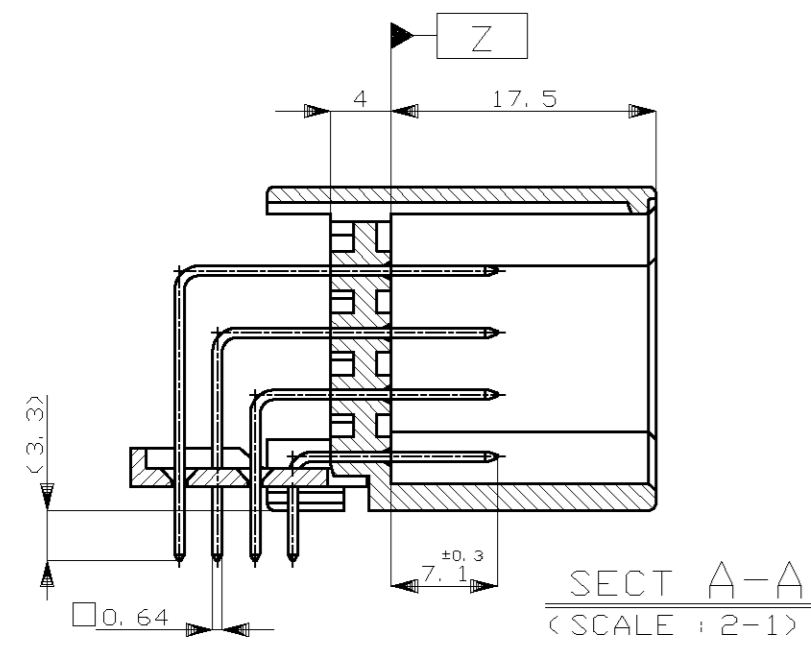
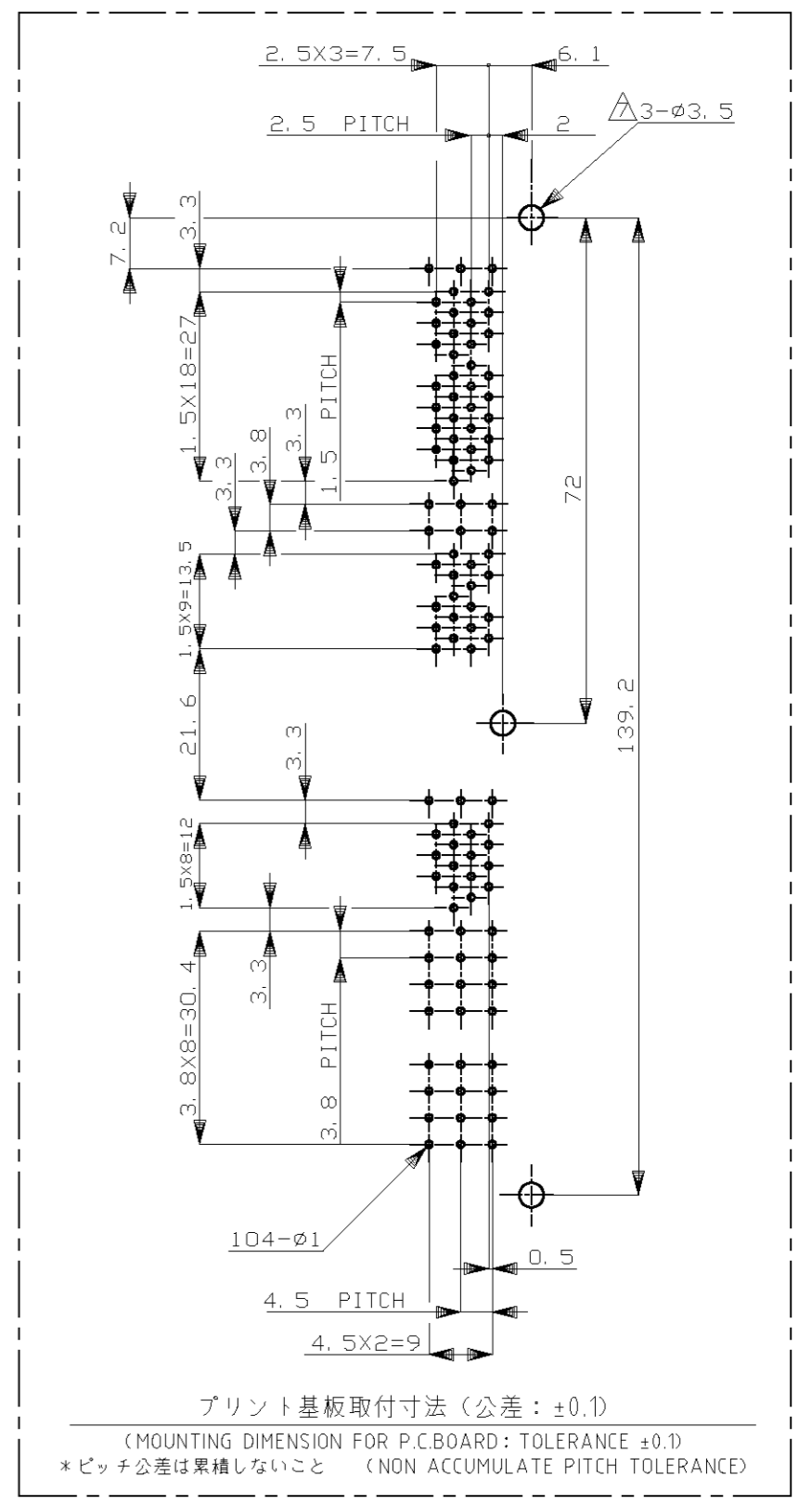
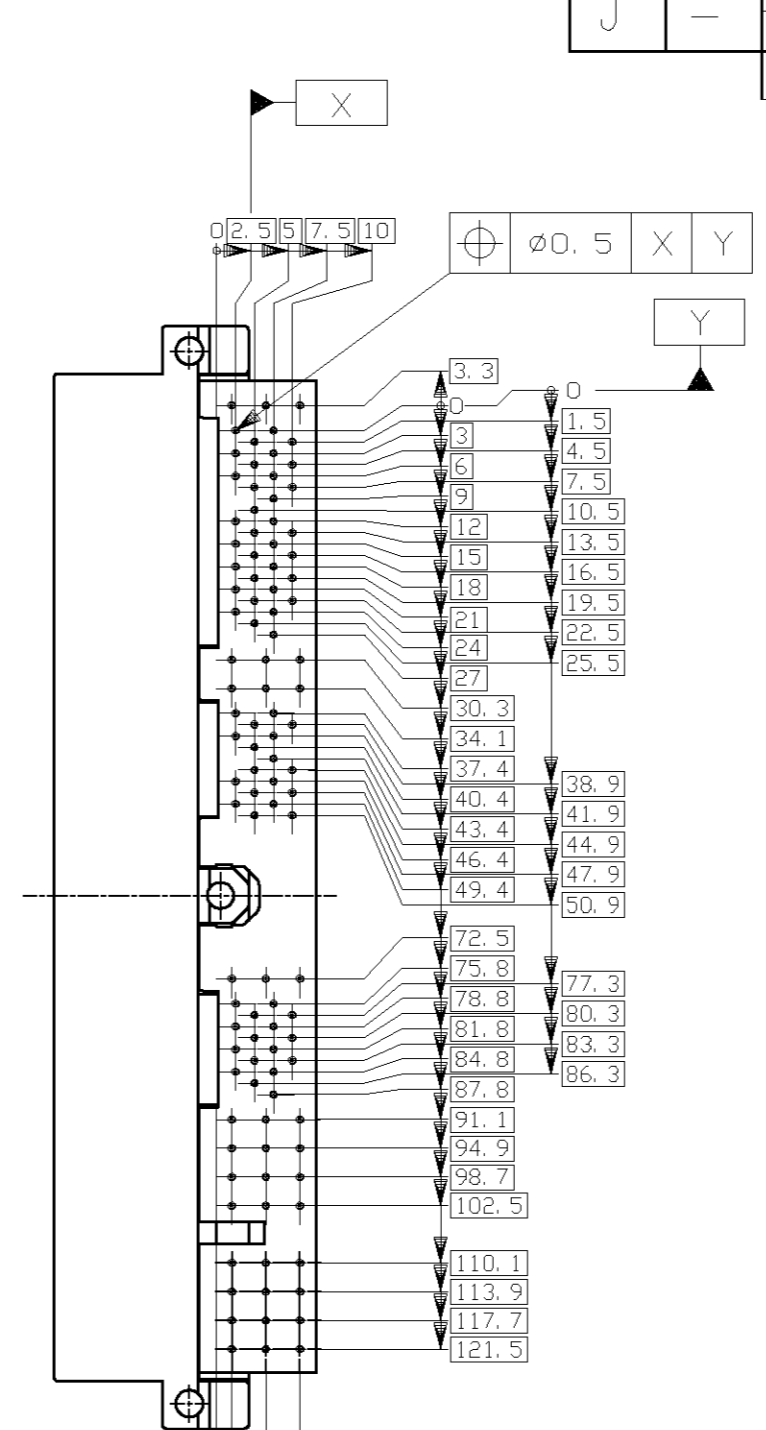
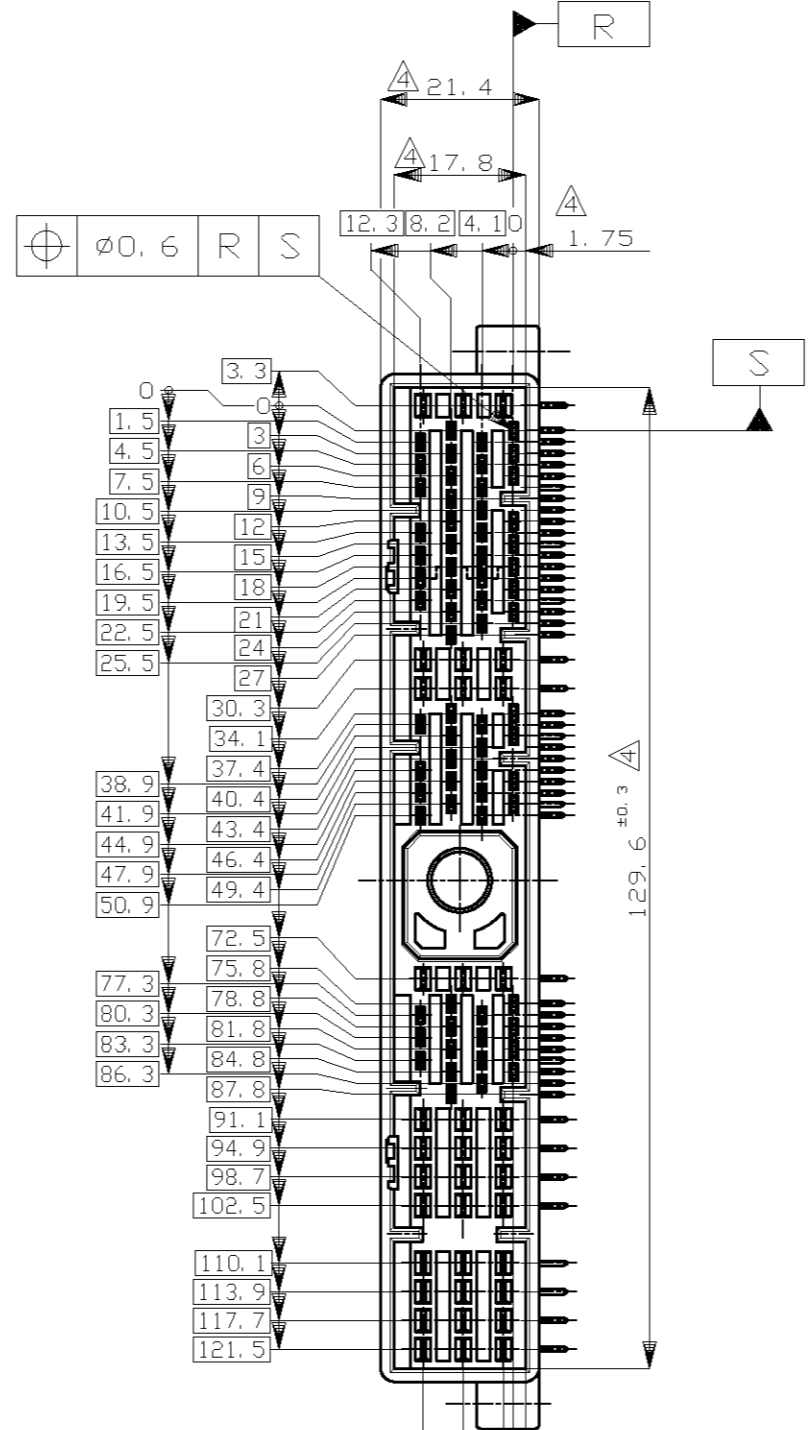
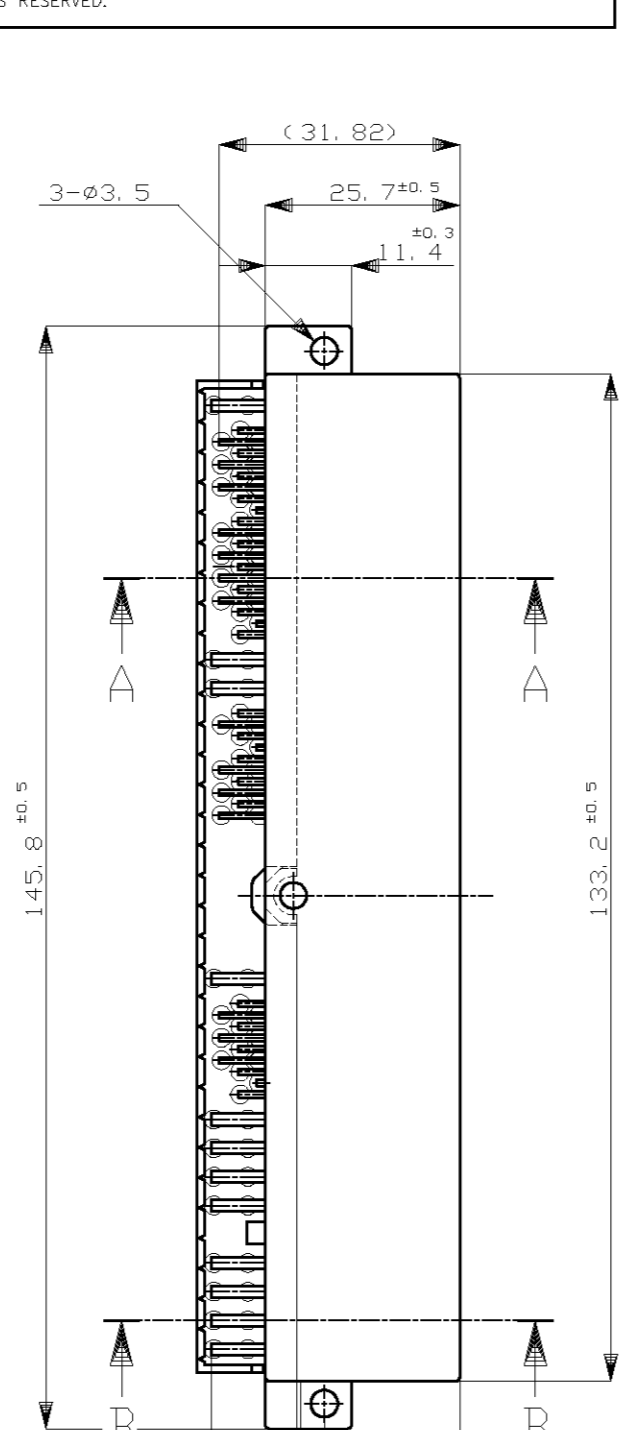
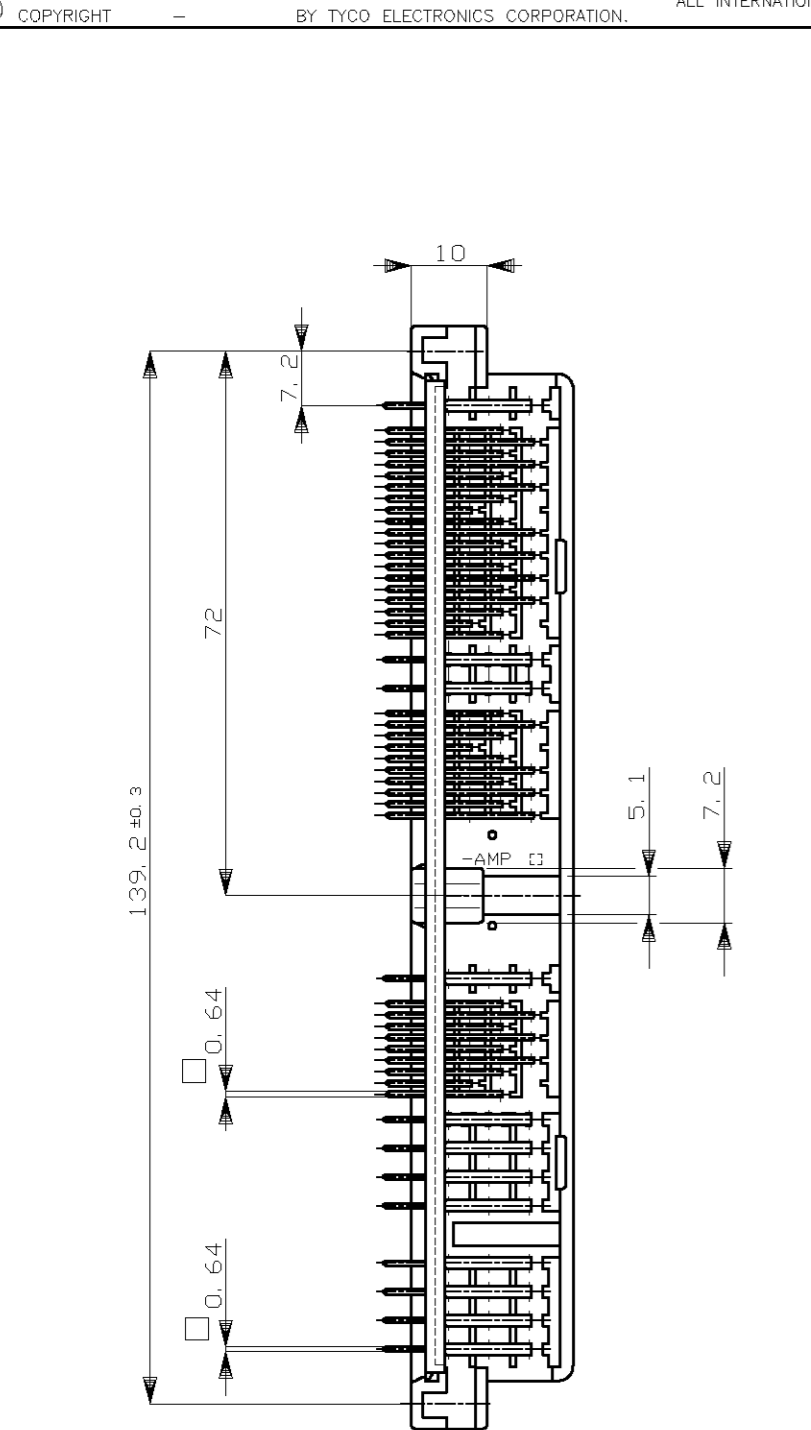
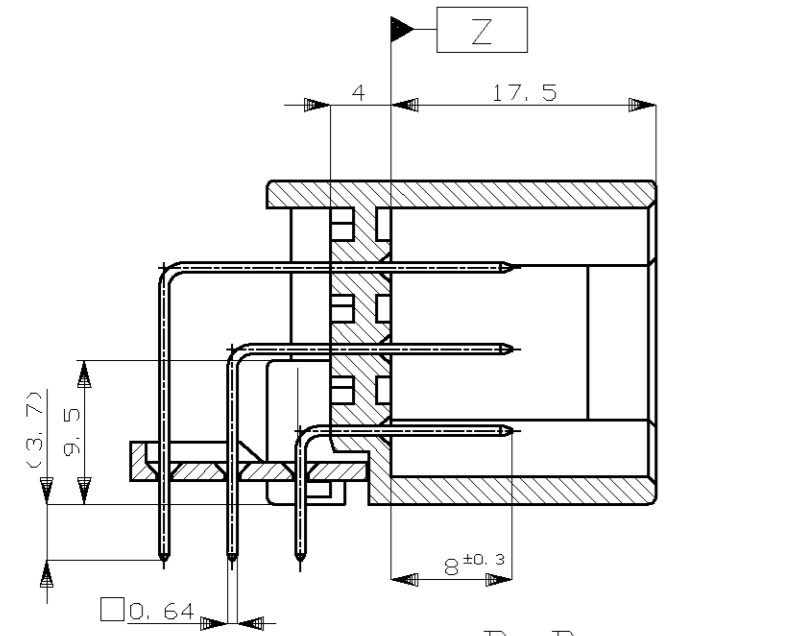


THIS DRAWING IS UNPUBLISHED. RELEASED FOR PUBLICATION
 © COPYRIGHT BY TYCO ELECTRONICS CORPORATION. ALL INTERNATIONAL RIGHTS RESERVED.

LOC		DIST		REVISIONS			
P	LTR	DESCRIPTION	DATE	DWN	APVD		
J	-	REVISED	ECR-11-001846	26JAN11	TS	KB	



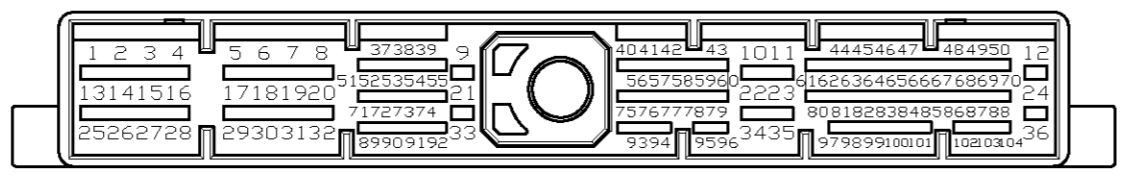
SECT A-A
(SCALE: 2-1)



SECT B-B
(SCALE: 2-1)

- 適用プリント基板厚: 1.6mm
- 推奨取付ネジ: 呼び 3mm小ネジ 又は JIS B1122
タッピンネジ, 呼び 4mm 長さ, 8~12mm
(締め付けトルク; 0.8~1.2N-m)
- 嵌合相手ハウジング番号: 178081
△-Z- 面より2mmの範囲で測定
△全面ニッケルメッキ上に接触部分は金メッキ
半田付部分は半田メッキ
△金メッキ位置 (下図参照のこと)
△タッピンネジを使用する場合, 穴寸法は4.5mm
△全面ニッケルメッキ上に接触部分は金メッキ
半田付部分は錫メッキ (光沢)

- APPLICABLE P.C.B BOARD THICKNESS; 1.6mm
- RECOMMENDED MOUNTING SCREW 3mm DIA SMALL SCREW
OR 4mm DIA, 8~12mm LENGTH TAPPING SCREW SPECIFIED
IN JIS B1122 (TIGHTENING TORQUE; 0.8~1.2N-m)
- THE MATING PLUG HOUSING PART NUMBER; 178081
△ TO BE MEASURED WITH 2mm FROM -Z-
- △ GOLD PLATING FOR CONTACT AREA AND TIN-LEAD-
PLATING FOR SOLDERING AREA OVER ALL-OVER-
NICKEL PLATING
- △ GOLD TAB POSITIONS
- △ HOLE DIMENSIONS 4.5mm, WHEN USE TAPPING SCREW
- △ GOLD PLATING FOR CONTACT AREA AND TIN PLATING (BRIGHT)
FOR SOLDERING AREA OVER ALL-OVER NICKEL PLATING



GENERAL TOLERANCE
 一般公差

10±	±0.2
30±	>10 : ±0.25
100±	>30 : ±0.3
	ANGLE : ±3°

THIS DRAWING IS A CONTROLLED DOCUMENT.

DIMENSIONS: mm	TOLERANCES UNLESS OTHERWISE SPECIFIED:	PRE-TINNED (98) , SELECTIVE GOLD (6)	△ 43,44,47,60,64,80	LIGHT GRAY	5178079-1
		FINISH OF CONTACT	タブ仕上げ (本数)	CIRCUIT NO. OF GOLD PLATED CONTACT	金メッキ端子使用回路番号
				HOUSING COLOR	ハウジング色
				PART NUMBER	製品型番
MATERIAL		Tyco Electronics Corporation Kawasaki, Japan		104POSITION CAP HOUSING ASSEMBLY IMPUL MATE CONNECTOR	
HOUSING: PBT CONTACT: BRASS		NAME: K.BETSUI		SIZE: A2	
		DWN: T.SHINOHARA 26JAN10 CHK: K.BETSUI 26JAN10 APVD: K.BETSUI 26JAN10		CAGE CODE: 00779	
		PRODUCT SPEC: APPLICATION SPEC		DRAWING NO: C=5178079-1	
		WEIGHT: -		RESTRICTED TO: -	
		CUSTOMER DRAWING		SCALE: 1:1 SHEET: 1 of 1 REV: A	