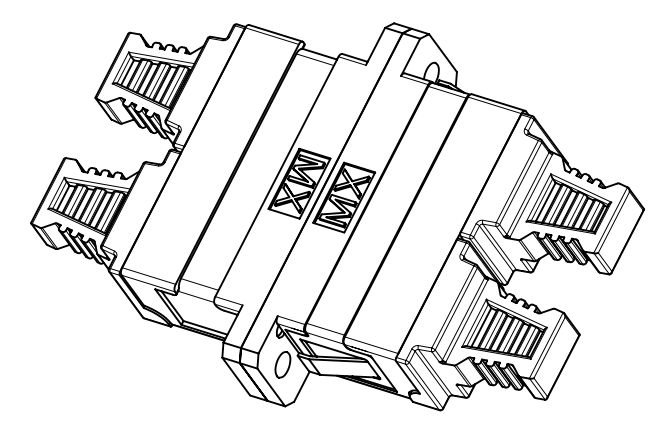
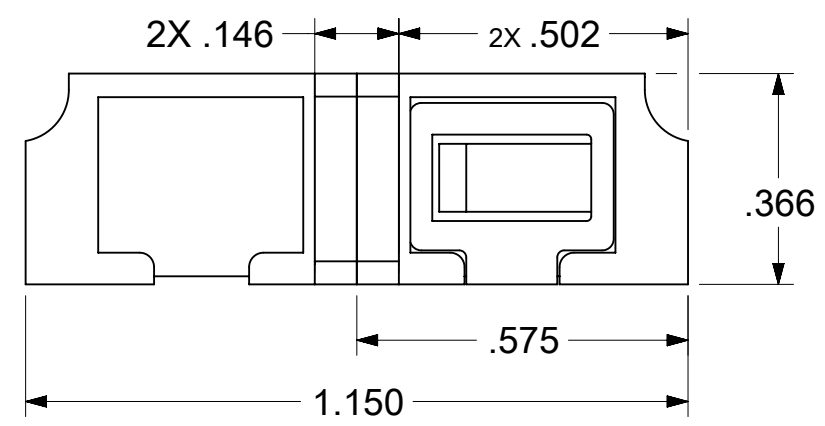
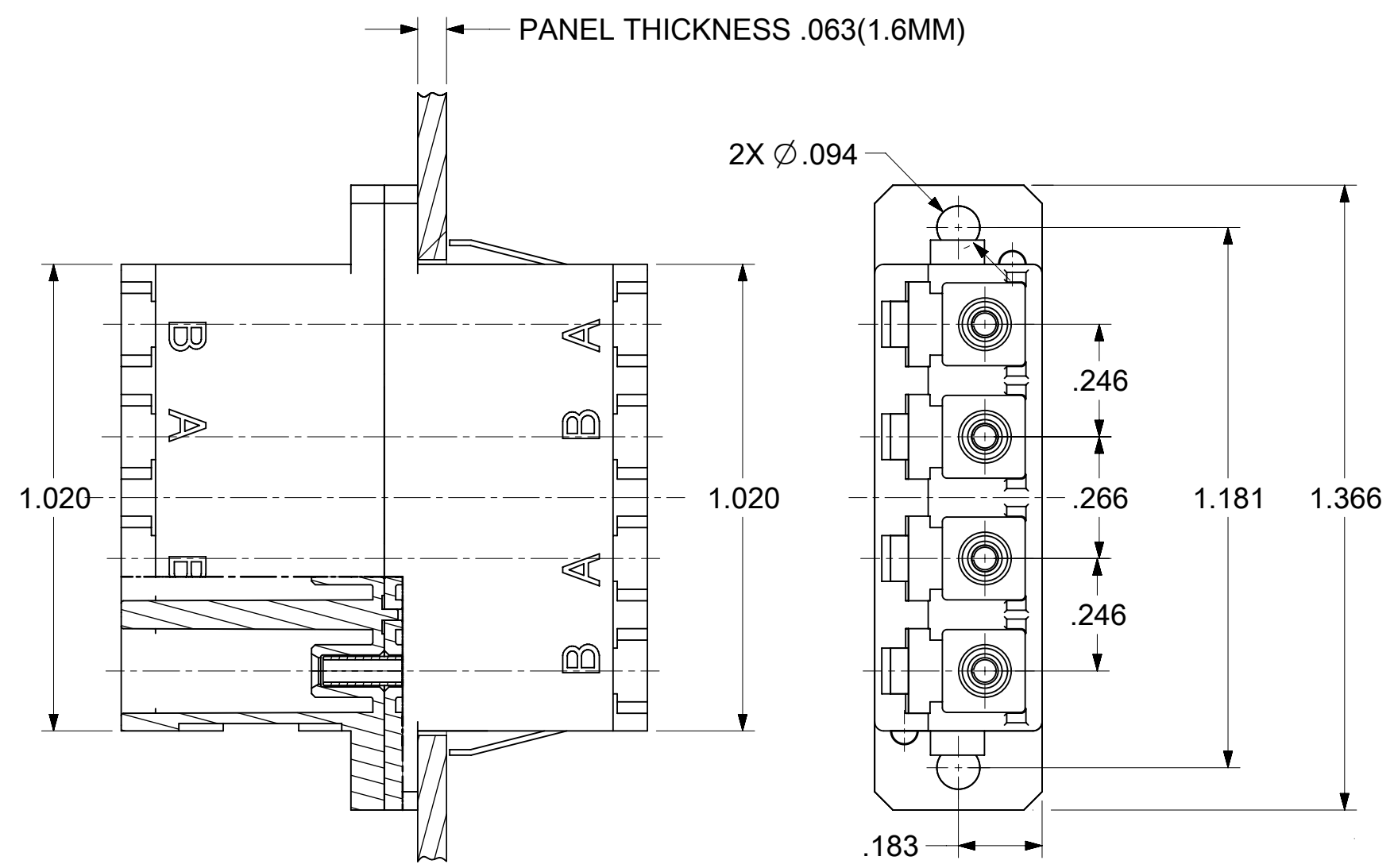
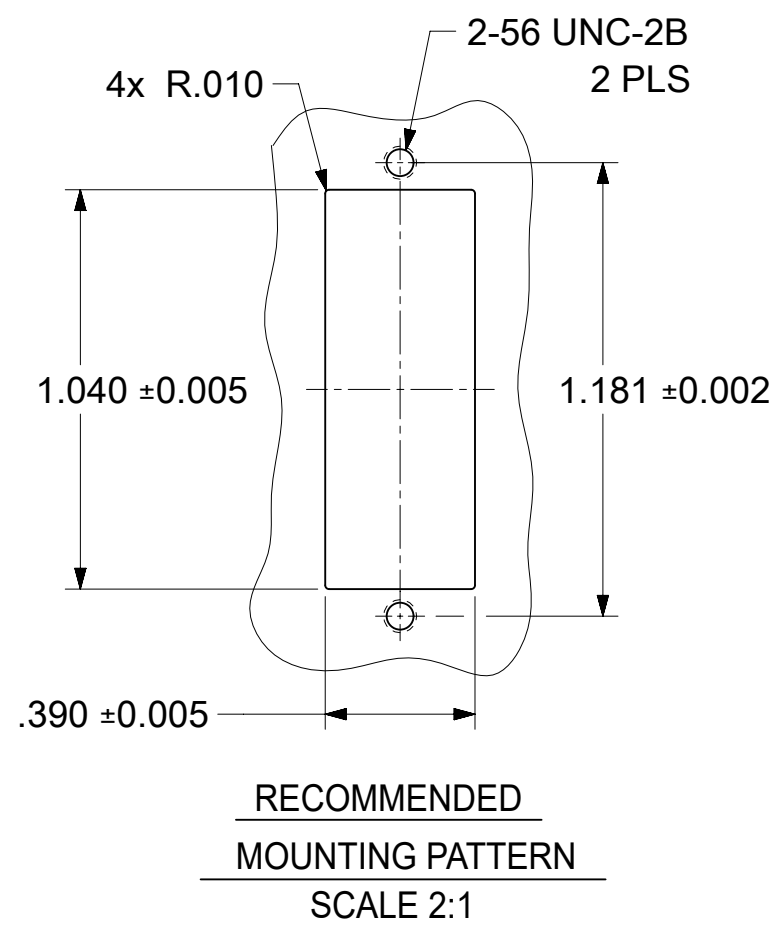
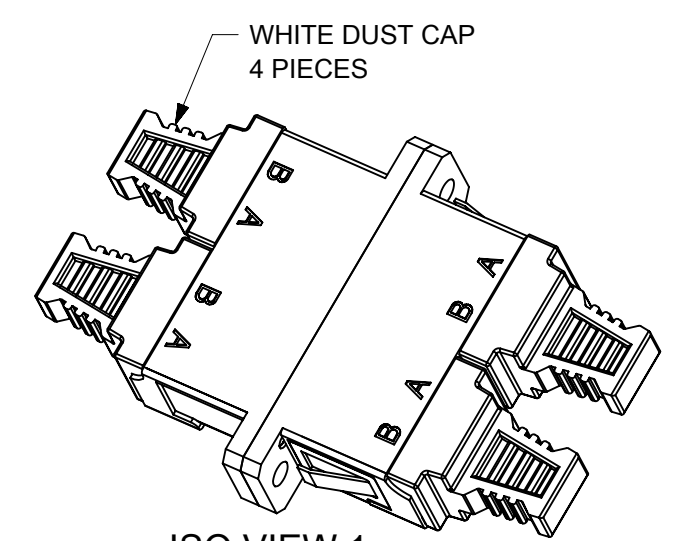


LC QUAD ADAPTER P/N	LC QUAD ADAPTER COLOR	SPLIT SLEEVE MATERIAL
106123-0100	BLUE	ZR
106123-1100	BEIGE	ZR
106123-2100	GREEN	ZR
106123-3100	AQUA	ZR



ISO VIEW 2  
SCALE 1.5:1



ISO VIEW 1  
SCALE 1.5:1

WHITE DUST CAP  
4 PIECES

- NOTES:
1. ALL DIMENSIONS ARE FOR REFERENCE.
  2. DUST CAPS NOT SHOWN ON FRONT, BOTTOM AND RIGHT VIEW.
  3. LC QUAD ADAPTER HAS SC DUPLEX ADAPTER FOOTPRINT.

PRE-RELEASE  
REFERENCE  
USE ONLY

THIS DRAWING CONTAINS INFORMATION THAT IS PROPRIETARY TO MOLEX ELECTRONIC TECHNOLOGIES, LLC AND SHOULD NOT BE USED WITHOUT WRITTEN PERMISSION									
FUNCTIONAL DIMENSION SYMBOLS		DIMENSION UNITS		SCALE		CURRENT REV DESC:			
FA = 0		INCH		3:1		EC NO: 691076			
FC = 0		GENERAL TOLERANCES (UNLESS SPECIFIED)				DRWN: JHUANG18			
FP = 0		ANGULAR TOL ± °				2022/01/12			
DIVISIONAL SYMBOLS		4 PLACES ±		3 PLACES ±		CHK'D: IGUMIN			
		2 PLACES ±		1 PLACE ±		APPR: IGUMIN			
		0 PLACES ±		DRAFT WHERE APPLICABLE MUST REMAIN WITHIN DIMENSIONS		INITIAL REVISION:			
		THIRD ANGLE PROJECTION		DRAWING		SERIES		DOCUMENT NUMBER	
		C-SIZE		106123		2005/12/06		SD-106123-X100	
		MATERIAL NUMBER		CUSTOMER		DOC TYPE		DOC PART	
		SEE TABLE		GENERAL MARKET		PSD		001	
		SHEET NUMBER		1 OF 1		REVISION		B1	

**molex**

LC QUAD ADAPTER  
(SCREW AND SNAP MOUNT)

PRODUCT CUSTOMER DRAWING

DOCUMENT STATUS	RELEASE DATE
-----------------	--------------