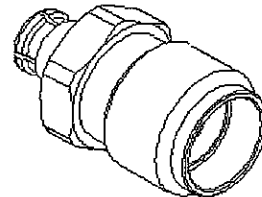
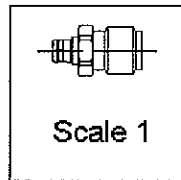
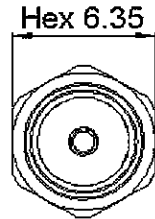
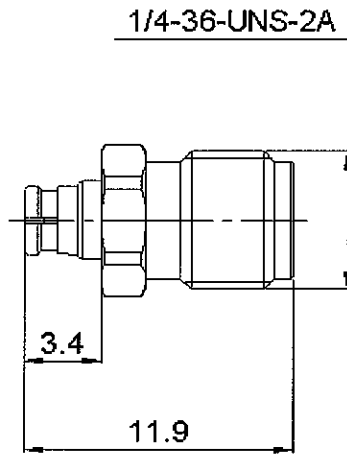


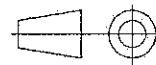
SMA FEMALE - SMP FEMALE ADAPTOR

R191.844.002

Série : SMP



All dimensions are in mm.



COMPONENTS	MATERIALS	PLATINGS (µm)
BODY	BERYLLIUM COPPER	GOLD 1.3 OVER NICKEL 2
CENTER CONTACT	BERYLLIUM COPPER	GOLD 1.27 OVER NICKEL 1.27
OUTER CONTACT	-	-
INSULATOR	PTFE	-
GASKET	-	-
OTHERS PARTS	BERYLLIUM COPPER	GOLD 1.3 OVER NICKEL 2
-	-	-
-	-	-

Issue : 0606 C

In the effort to improve our products, we reserve the rights to make changes judged to be necessary.



SMA FEMALE - SMP FEMALE ADAPTOR

R191.844.002

Série : SMP

PACKAGING

Standard	Unit	Other
100	'W' option	Contact us

SPECIFICATION

ELECTRICAL CHARACTERISTICS

Impedance		50 Ω
Frequency		0-18 GHz
VSWR	1.15 +	0 x F(GHz) Maxi
Insertion loss		0.12 √F(GHz) dB Maxi
RF leakage	- (NA - F(GHz)) dB Maxi
Voltage rating		335 Veff Maxi
Dielectric withstanding voltage		500 Veff mini
Insulation resistance		5000 MΩ mini

ENVIRONMENTAL

Operating	-65/+165 °C
Hermetic seal	NA Atm.cm3/s
Panel leakage	NA

MECHANICAL CHARACTERISTICS

Center contact retention		
Axial force – Mating end		27* N mini
Axial force – Opposite end		6.8** N mini
Torque		N.cm mini
Recommended torque		
Mating	SMA	0 N.cm
	SMP	0 N.cm
		0 N.cm
Panel nut		NA N.cm
Mating life		100 Cycles mini
Weight		1.35 g

OTHERS CHARACTERISTICS

*SMA mating end
**SMP mating end

Issue : 0606 C

In the effort to improve our products, we reserve the rights to make changes judged to be necessary.

