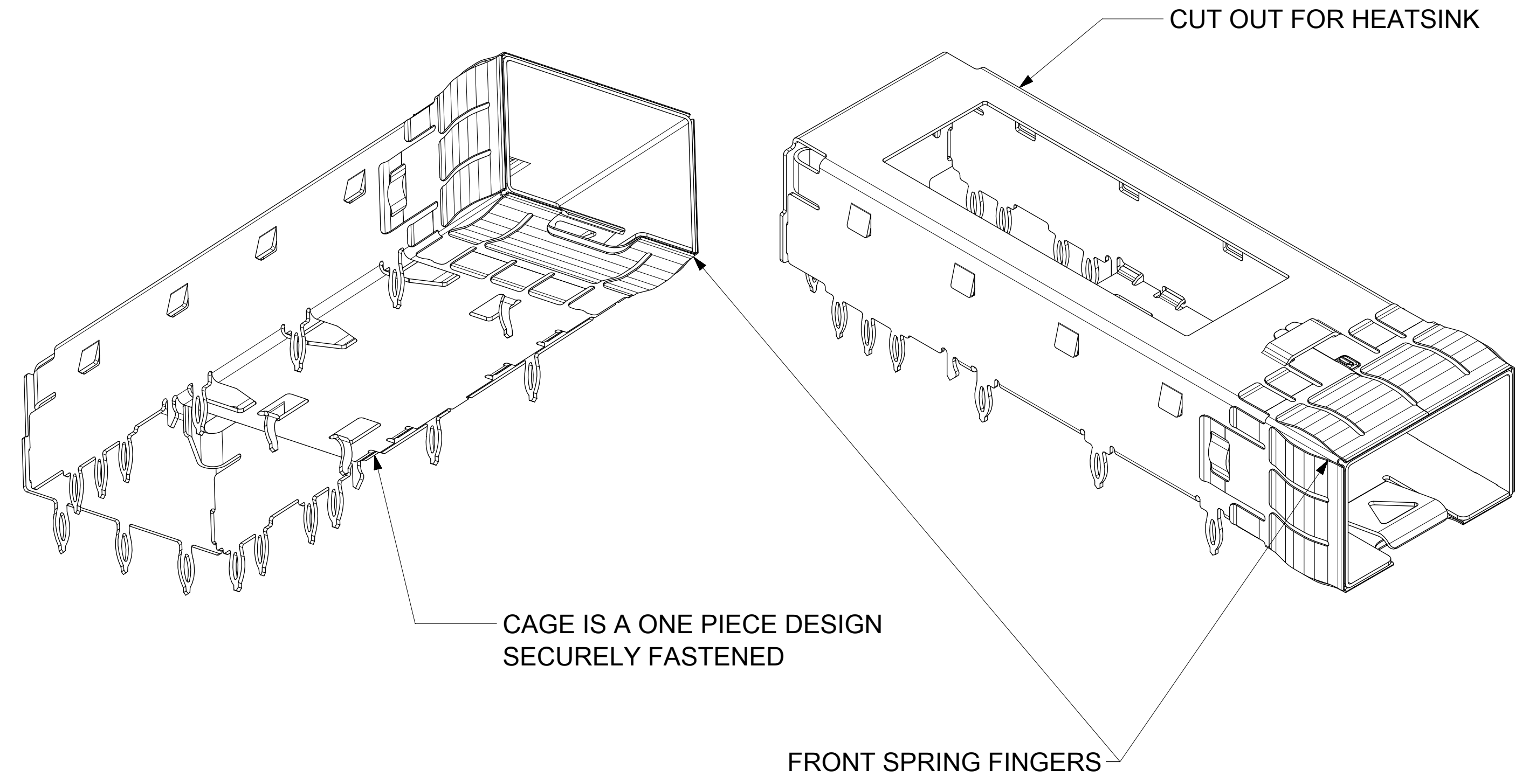
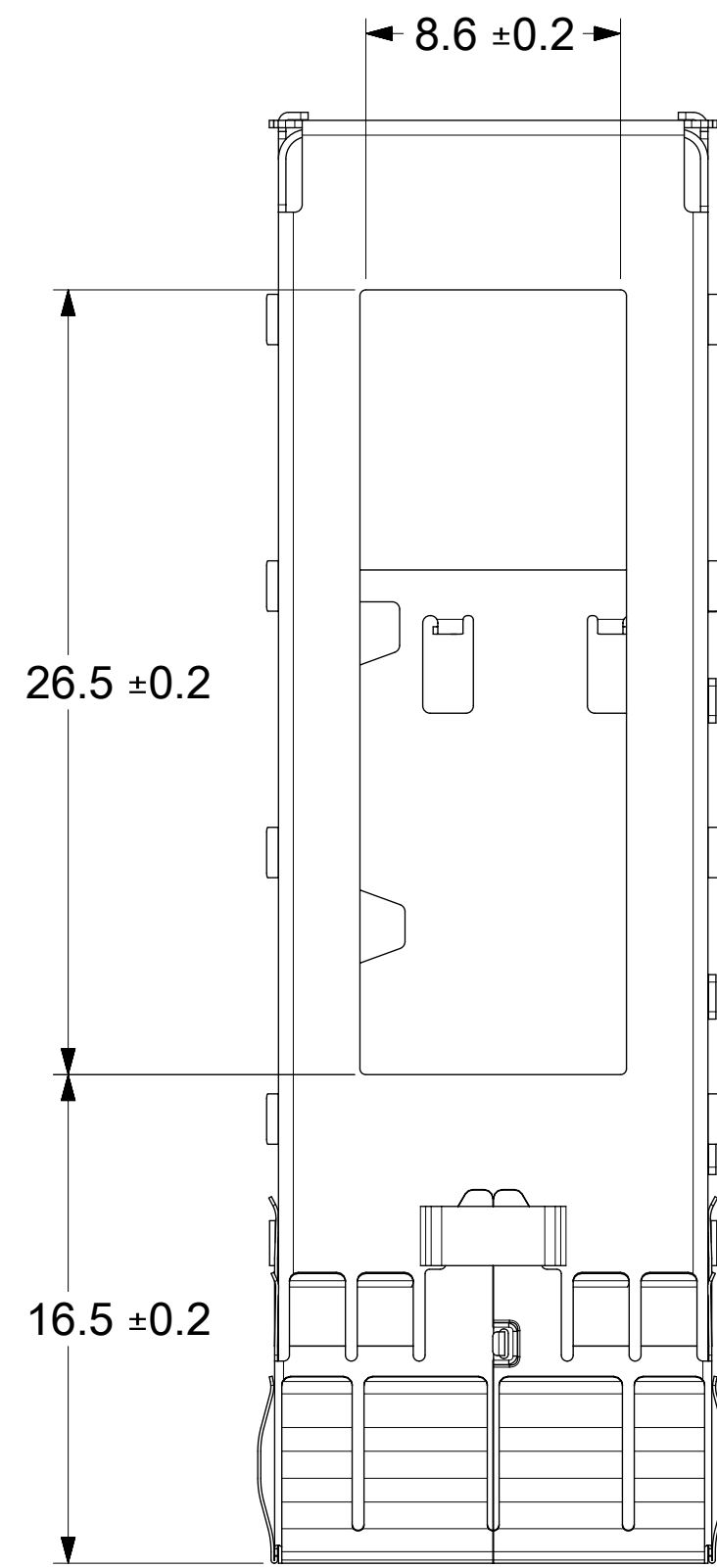
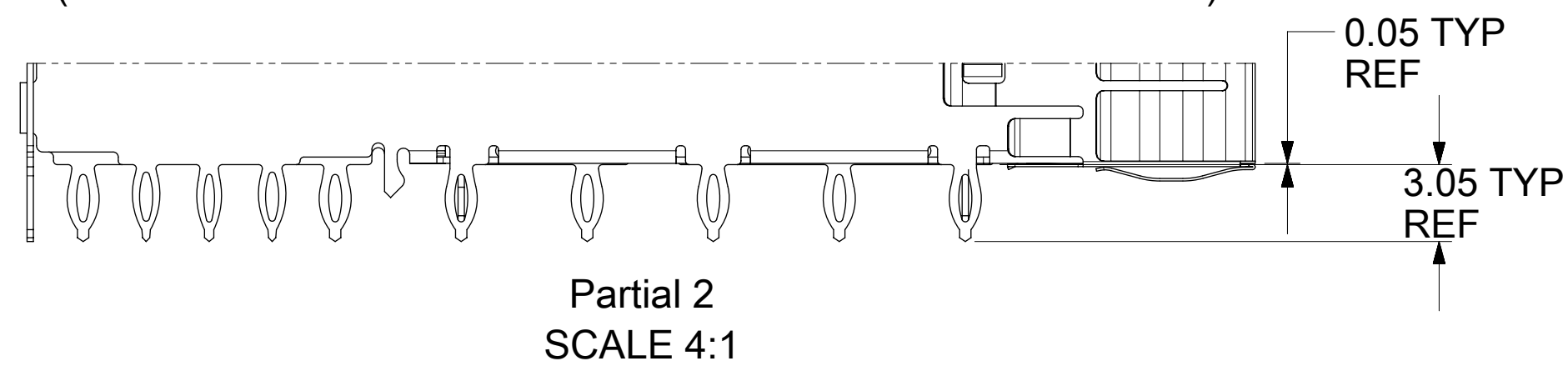


111128101 SHOWN

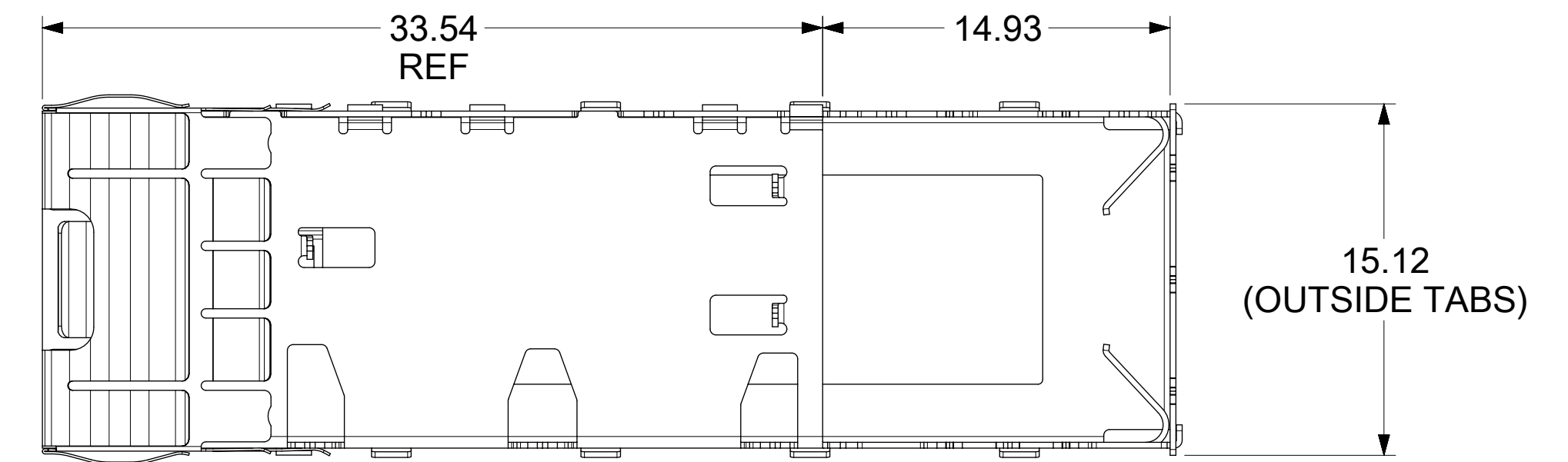
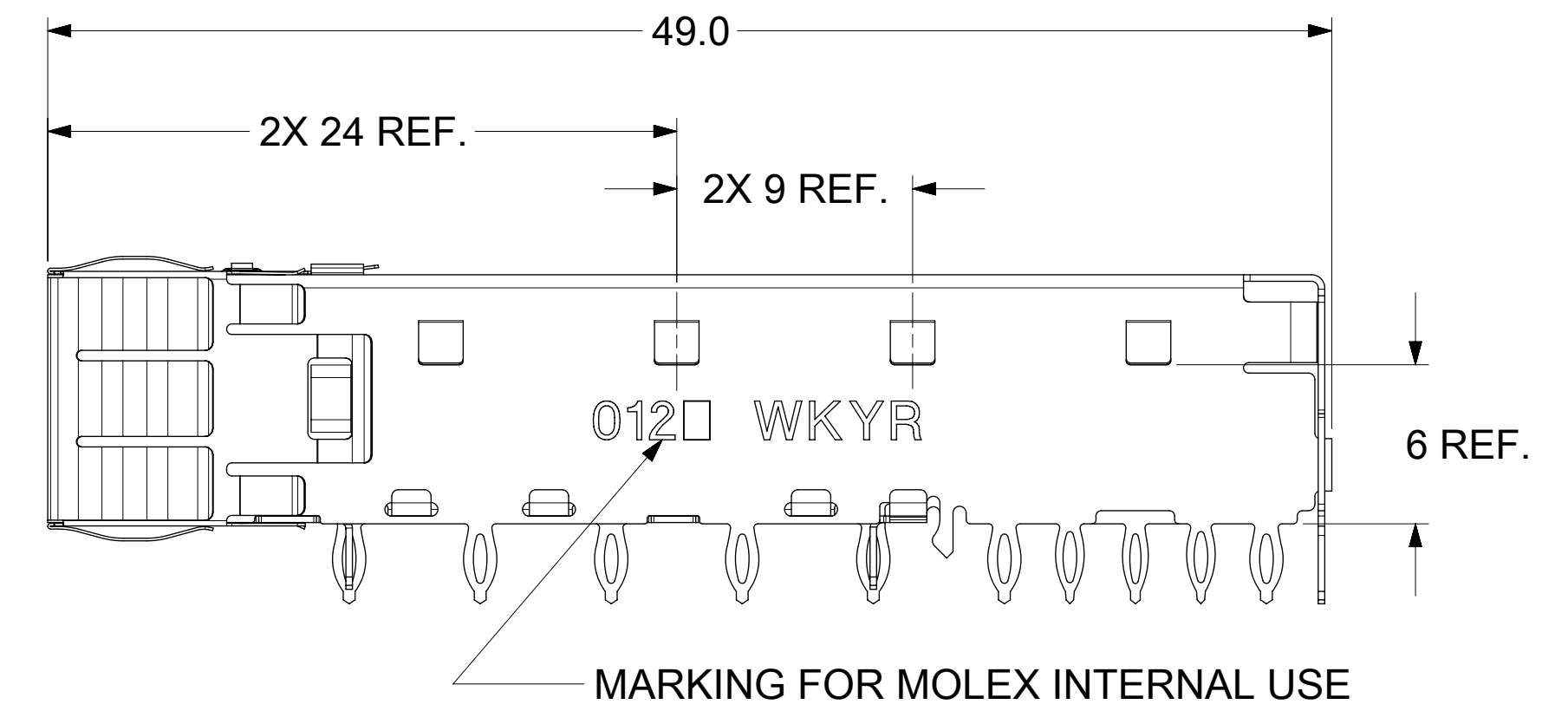
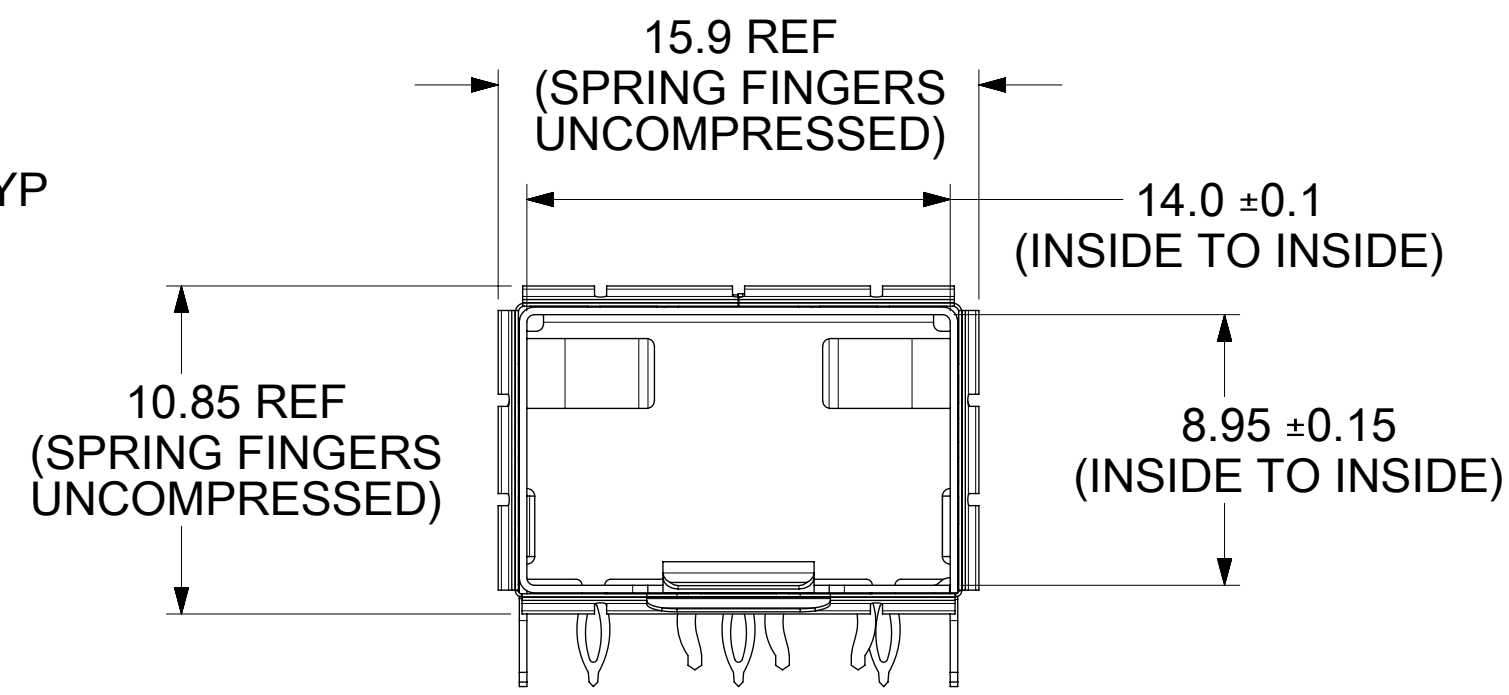
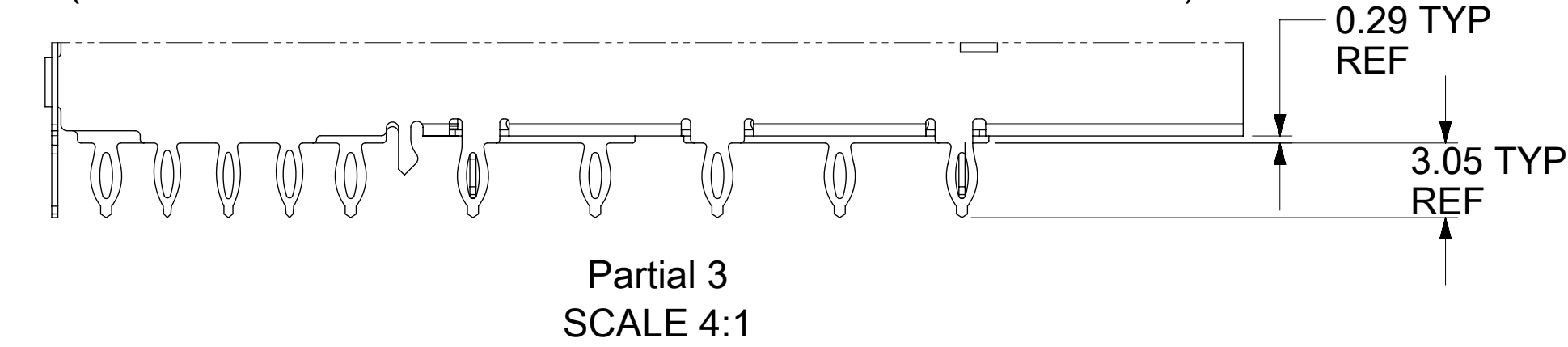
HEATSINK AND HEATSINK SPRING CLIP REMOVED TO SHOW CAGE DETAIL
PART NUMBER 111112-8101 SHOWN



STANDARD CAGE 111112-0101
(SPRING FINGER REMOVED FROM THIS VIEW FOR CLARITY)



SPECIAL CAGE 111112-0117 WITH LENGTHENED PRESS FIT PINS
(SPRING FINGER REMOVED FROM THIS VIEW FOR CLARITY)



- NOTES:
- MATERIAL:
CAGE: 0.25mm THICK COPPER ALLOY, NICKEL PLATED.
FRONT SPRING FINGERS: STAINLESS STEEL.
HEATSINK: ALUMINUM, NICKEL PLATED.
HEATSINK SPRING CLIP: STAINLESS STEEL.
 - PRESS FIT LEGS 3.05mm LONG:
1.57mm MINIMUM PCB THICKNESS FOR SINGLE SIDED USE.
 - PORTS ARE DESIGNED FOR SFP+ TRANSCEIVERS AND ARE COMPATIBLE WITH SFP TRANSCEIVERS.
THE TOP SURFACE OF THE MODULE MUST BE FLAT (NO PRODUCT LABEL RECESS) AND THERMALLY CONDUCTIVE TO FUNCTION OPTIMALLY.
 - WELD SPOTS WILL SHOW SLIGHT MATERIAL DISCOLORATION.
 - NO ROHS EXEMPTIONS.
 - CUSTOM HEATSINKS AVAILABLE UPON REQUEST.
 - CAGE ASSEMBLY, HEATSINK, AND HEATSINK SPRING CLIP SHIPPED ASSEMBLED.
 - THE MOLEX CAGE REQUIRES USING THE MOLEX HEATSINK SPRING CLIP.

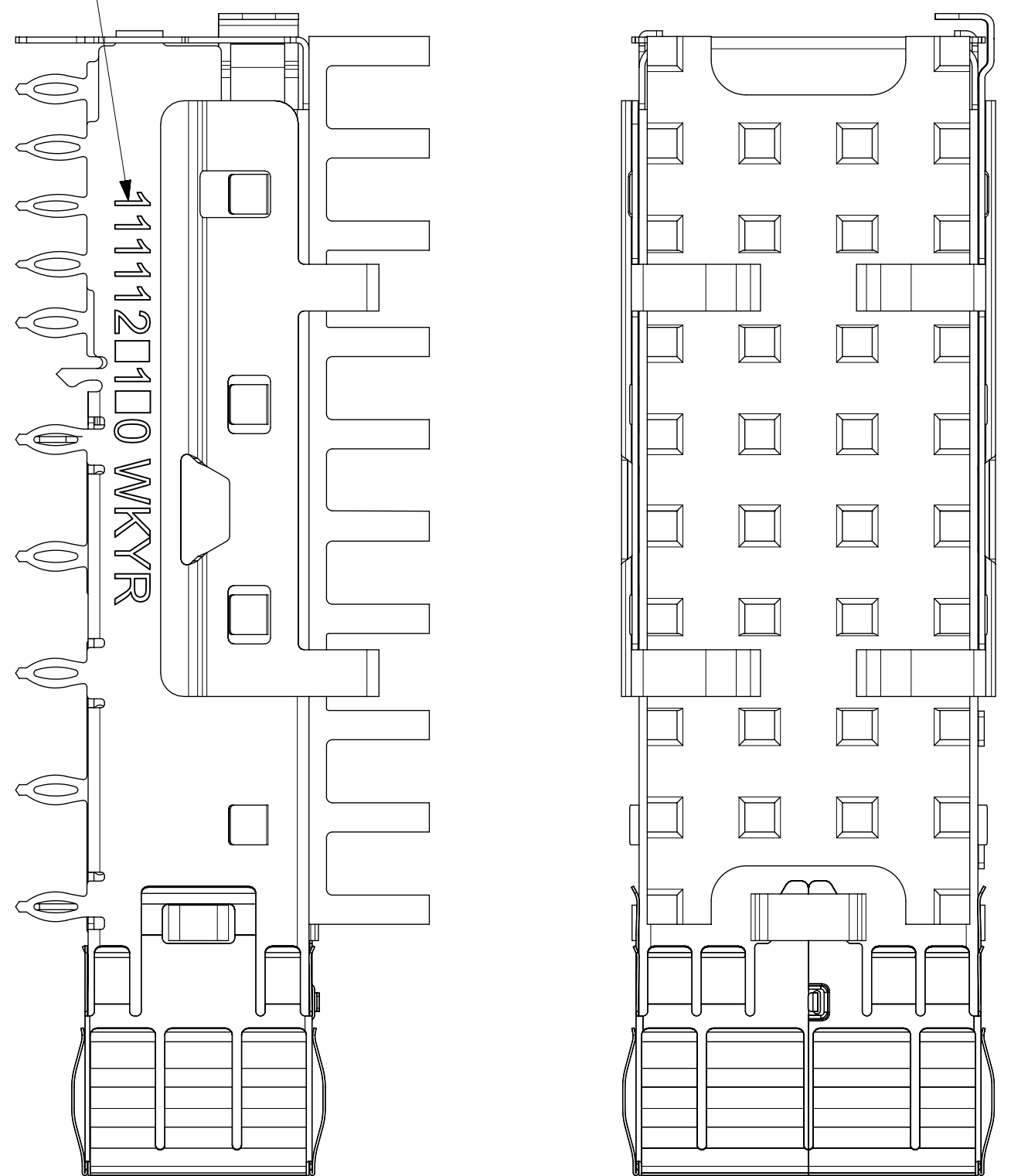
FUNCTIONAL SYMBOLS	THIS DRAWING CONTAINS INFORMATION THAT IS PROPRIETARY TO MOLEX ELECTRONIC TECHNOLOGIES, LLC AND SHOULD NOT BE USED WITHOUT WRITTEN PERMISSION		CURRENT REV DESC: SEE REVISION TABLE		molex
	FA = 0	mm	SCALE	4:1	
	FC = 0	GENERAL TOLERANCES (UNLESS SPECIFIED)			
	FE = 0	ANGULAR TOL ± 1.0°			
DIVISIONAL SYMBOLS	4 PLACES	±	EC NO: 707262	2022/04/07	SFP+ 1X1 CAGE ASSY PRESS FIT TYPE, W/ SUS EMI SPRING FINGERS & HEAT SINK
	3 PLACES	±	DRWN: ABHILT2	2022/05/25	
	2 PLACES	± 0.13	CHK'D: TKUMARKC	2022/05/27	
	1 PLACE	± 0.25	APPR: SCHIEN		
DRAFT WHERE APPLICABLE MUST REMAIN WITHIN DIMENSIONS		THIRD ANGLE PROJECTION	DRAWING	SERIES	PRODUCT CUSTOMER DRAWING
			D-SIZE	111112	DOCUMENT NUMBER
					1111128101
					DOC TYPE
					PSD
					DOC PART
					ASY
					REVISION
					A
					MATERIAL NUMBER
					SEE SHEET 2
					CUSTOMER
					SHEET NUMBER
					1 OF 5

111112-9120
SHOWN ASSEMBLED

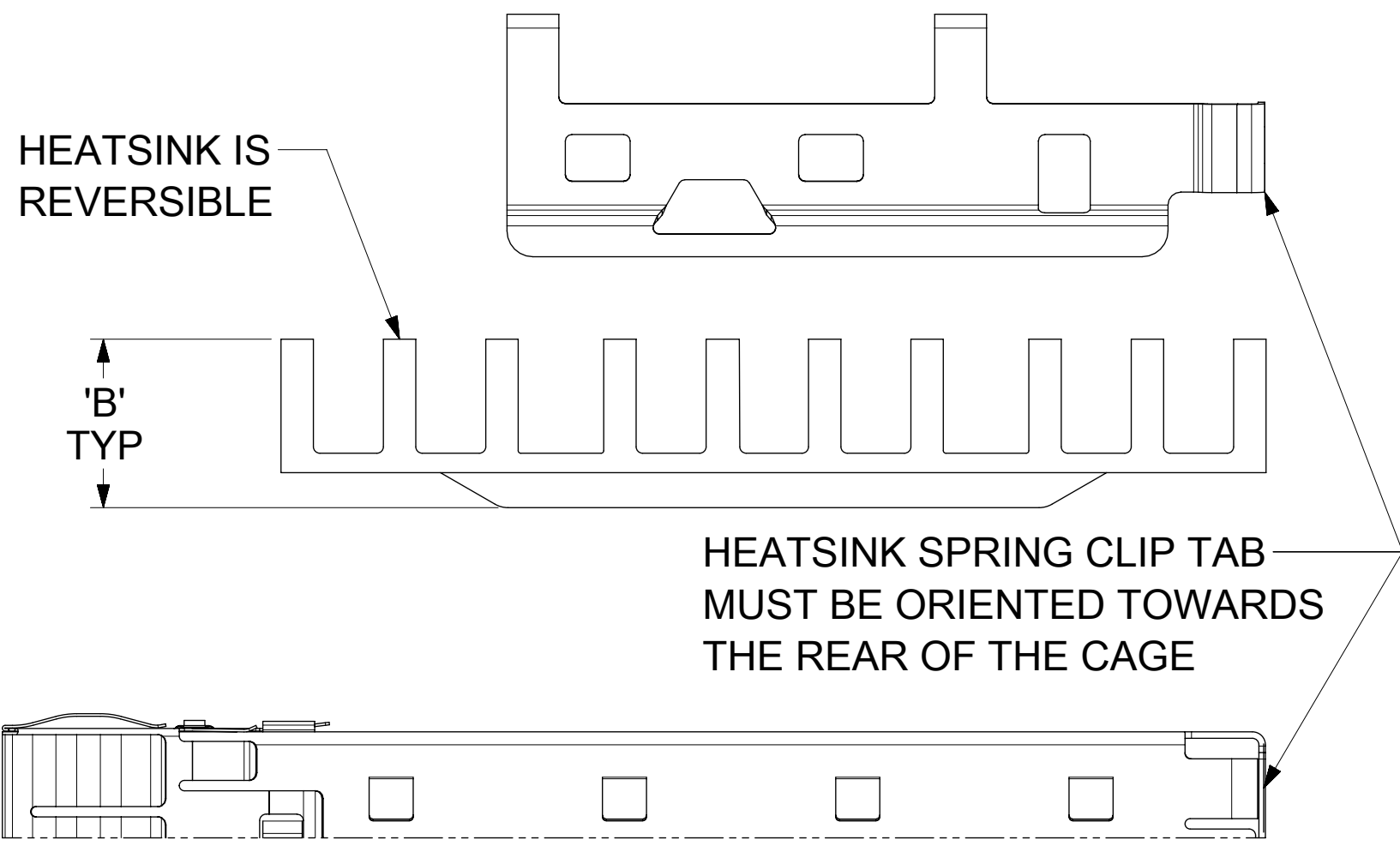
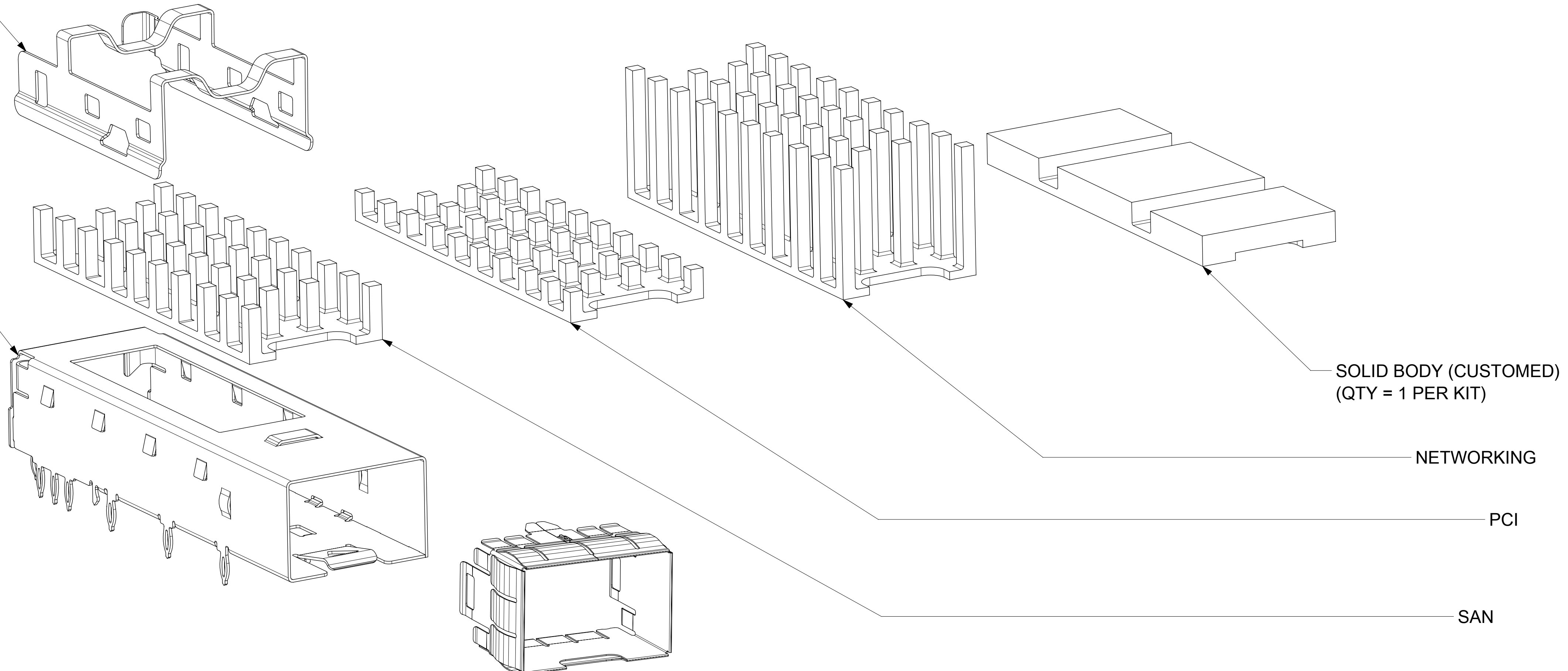
HEATSINK SPRING CLIP
MATERIAL NUMBER
111112-1001
(REFERENCE)

SFP+ CAGE ASSEMBLY
WITH FRONT SPRING FINGERS

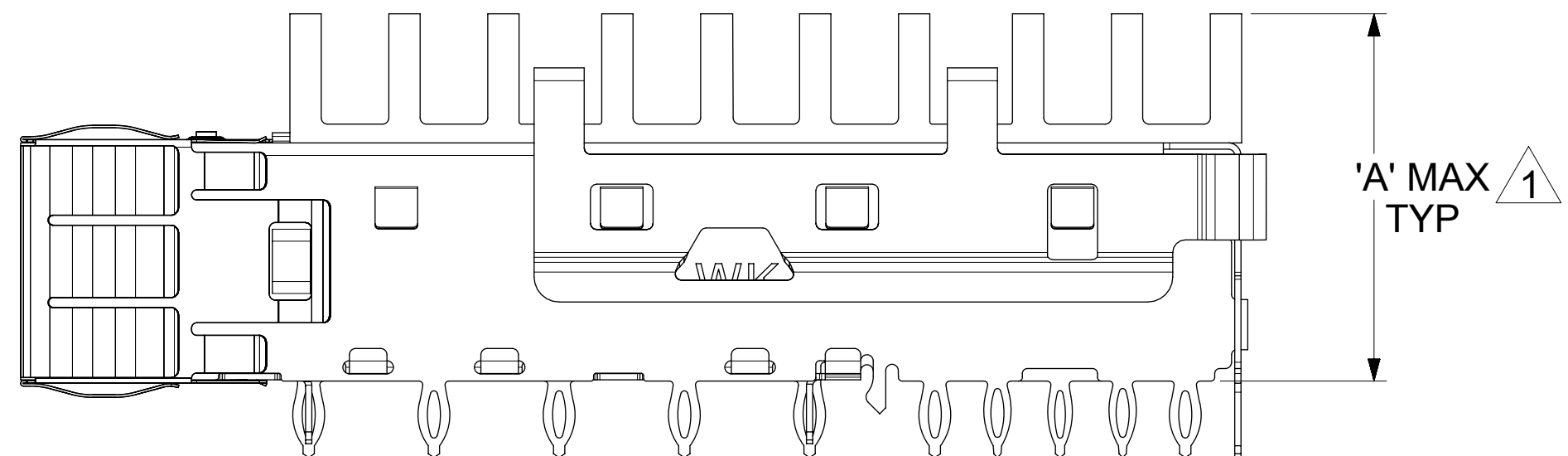
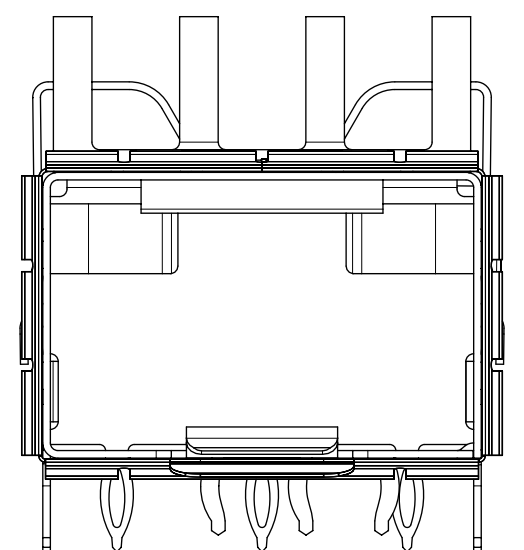
CAGE IDENTIFICATION:
KIT MATERIAL NUMBER
DATE CODE:
WK = WEEK 01 THROUGH 52.
EXAMPLE: 01 = FIRST WEEK OF YEAR, 52 = LAST WEEK OF YEAR
YR = LAST TWO DIGITS OF THE YEAR. 22, 23, 24,
ETC. EXAMPLE: 2022 = 22.



EXPLODED VIEW



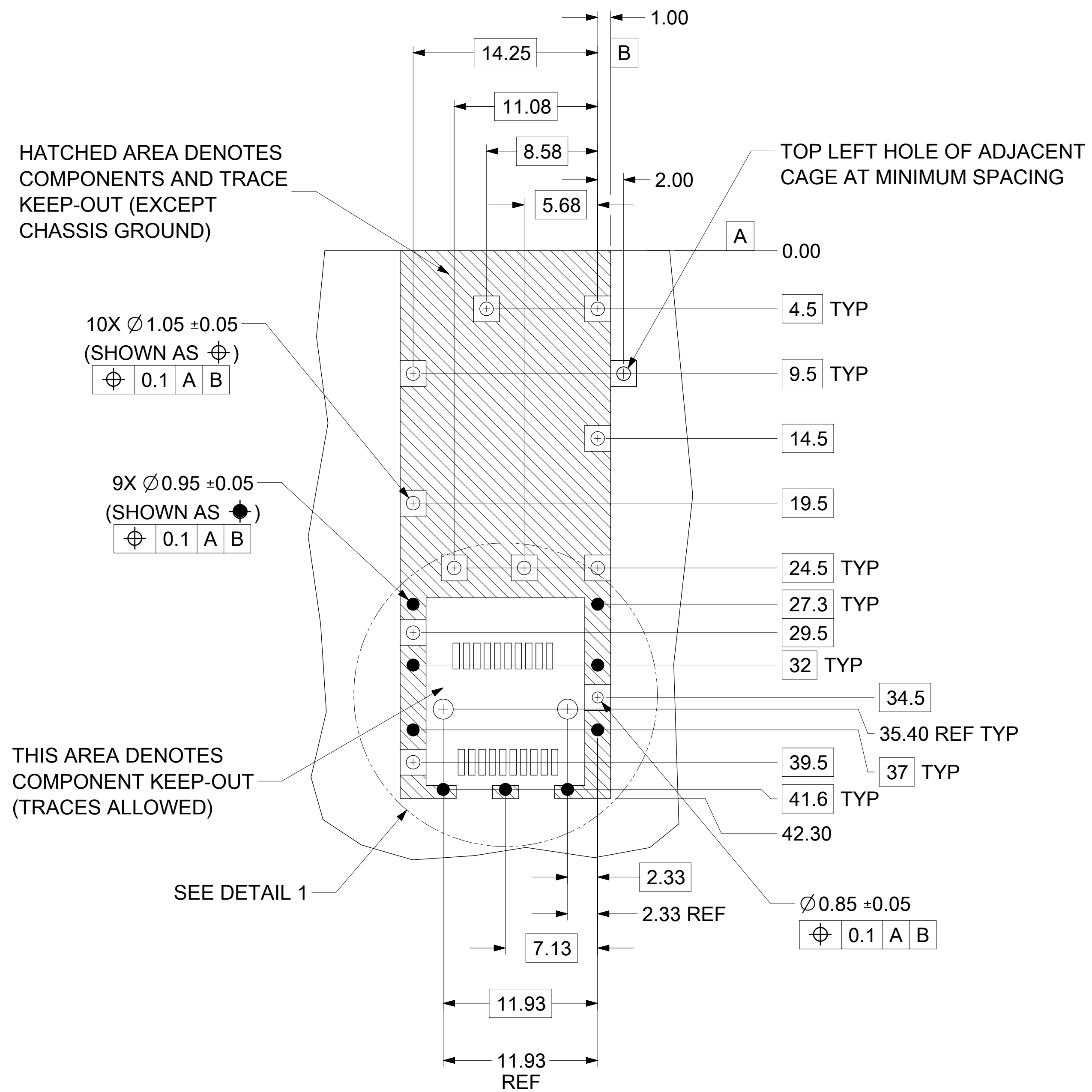
KIT MAT'L NUMBER	APPLICATION	CAGE ASSY	ASSEMBLED DIM 'A'	HEATSINK DIM 'B' (REF)	HEATSINK MAT'L NO. (REF)	POLYIMIDE GASKET ATTACHED
STANDARD CAGE						
111112-8120	PCI	111112-8101	14.0	4.2	111112-2001	NO
111112-9120	SAN	111112-8101	16.3	6.5	111112-2002	NO
111112-7120	NETWORKING	111112-8101	23.3	13.5	111112-2003	NO
111112-8121	SOLID BODY	111112-8101	14.15	4.4	111112-2030	NO



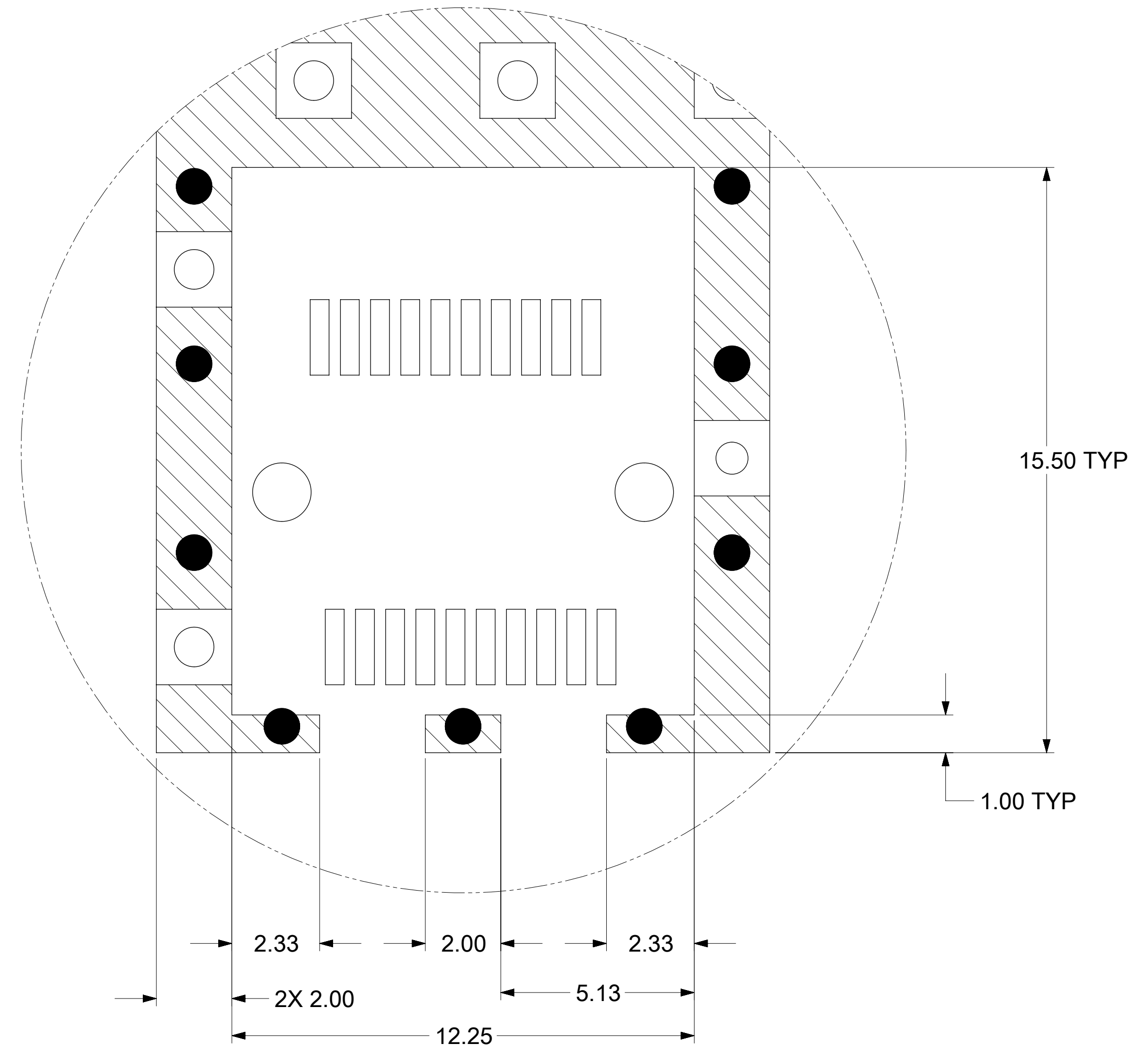
1 HEIGHT OF HEATSINK WITH MODULE INSERTED.
DIMENSION MAY BE LESS DUE TO MODULE AND HEATSINK VARIATIONS.

FUNCTIONAL SYMBOLS $\nabla_A = 0$ $\nabla_E = 0$ $\nabla_P = 0$ DIVISIONAL SYMBOLS	THIS DRAWING CONTAINS INFORMATION THAT IS PROPRIETARY TO MOLEX ELECTRONIC TECHNOLOGIES, LLC AND SHOULD NOT BE USED WITHOUT WRITTEN PERMISSION		CURRENT REV DESC: SEE REVISION TABLE		
	mm	SCALE 4:1	GENERAL TOLERANCES (UNLESS SPECIFIED)		
	4 PLACES	±	ANGULAR TOL ± 1.0°		
	3 PLACES	±	2 PLACES ± 0.13		
DRAFT WHERE APPLICABLE MUST REMAIN WITHIN DIMENSIONS		THIRD ANGLE PROJECTION	DRAWING D-SIZE	SERIES 111112	
EC NO: 707262		DRWN: ABHILT2	2022/04/07		
CHK'D: TKUMARKC		APPR: SCHIEN	2022/05/27		
INITIAL REVISION:		DRWN: ABHILT2	2022/04/07	PRODUCT CUSTOMER DRAWING	
APPR: SCHIEN		2022/05/27	2022/05/27	DOCUMENT NUMBER	
1111128101		PSD	ASY	REVISION	
SEE SHEET 2		MATERIAL NUMBER		SHEET NUMBER	
		CUSTOMER		2 OF 5	

PCB LAYOUT FOR SINGLE SIDE MOUNT



HOST CONNECTOR DETAIL



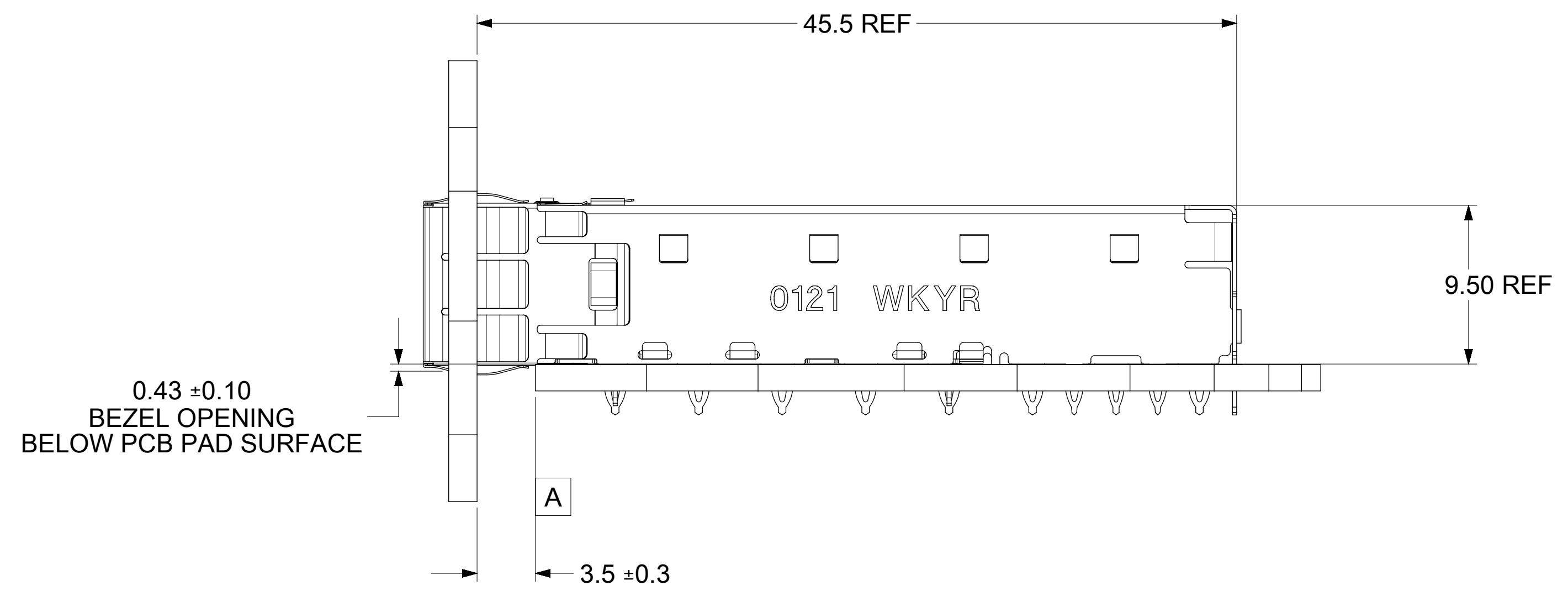
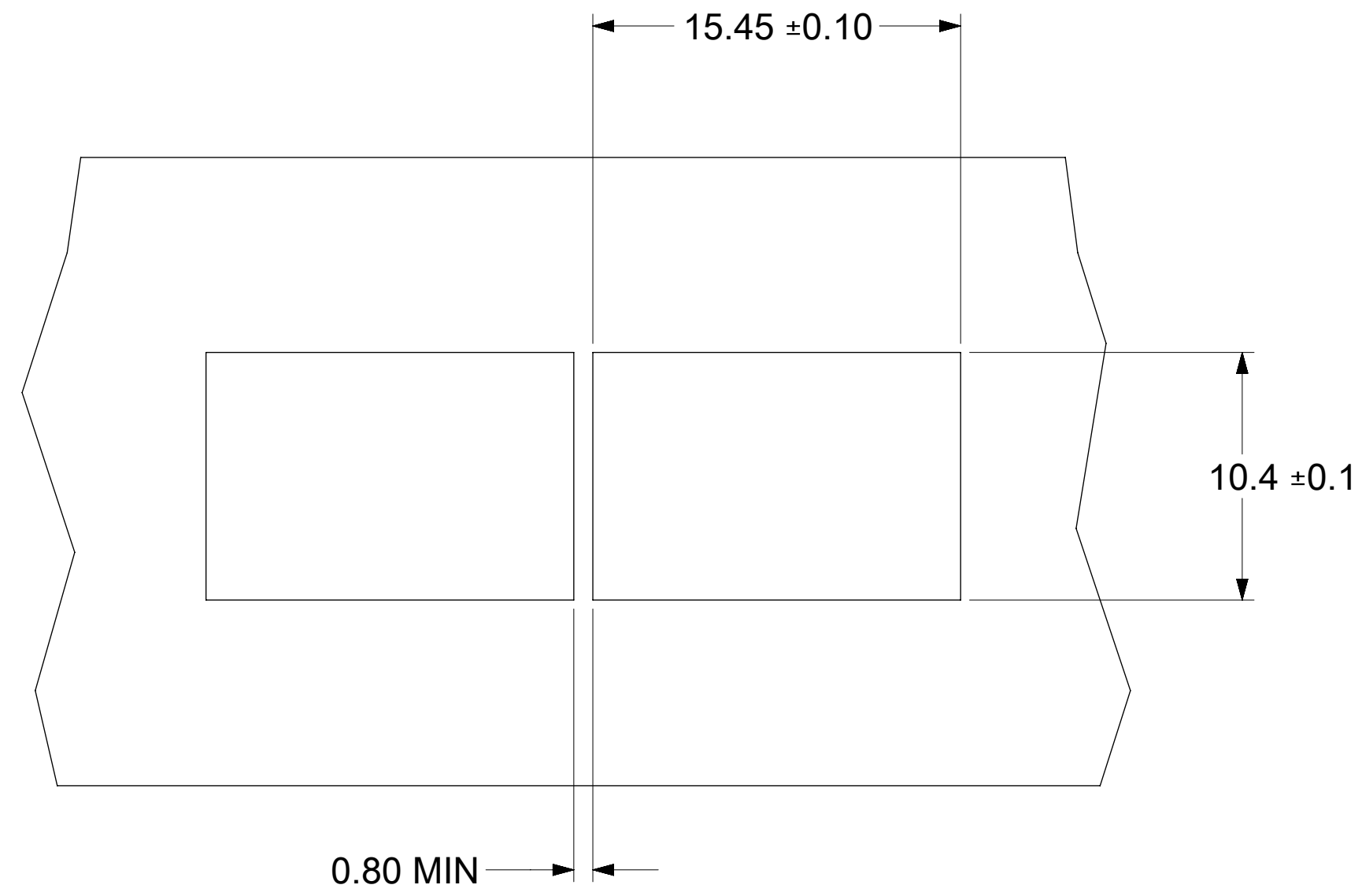
DETAIL 1
SCALE 10:1

NOTES:

1. PADS AND VIAS CONNECT TO CHASSIS GROUND (RECOMMEND PADS TO BE 2.00mm SQUARE)
2. RECOMMENDED THRU HOLE PLATING INCLUDES HASL, OSP, OR IMMERSION (GOLD, SILVER, OR TIN).
3. CONNECTOR PAD LAYOUT PER SFP+ MSA WILL ACCOMMODATE MOLEX CONNECTOR SERIES 74441 OR EQUIVALENT.

FUNCTIONAL SYMBOLS FA = 0 FC = 0 FD = 0	THIS DRAWING CONTAINS INFORMATION THAT IS PROPRIETARY TO MOLEX ELECTRONIC TECHNOLOGIES, LLC AND SHOULD NOT BE USED WITHOUT WRITTEN PERMISSION		CURRENT REV DESC: SEE REVISION TABLE		molex		
	DIMENSION UNITS mm	SCALE 4:1					
DIVISIONAL SYMBOLS	GENERAL TOLERANCES (UNLESS SPECIFIED)		EC NO: 707262		SFP+ 1X1 CAGE ASSY PRESS FIT TYPE, W/ SUS EMI SPRING FINGERS & HEAT SINK		
	ANGULAR TOL ± 1.0°		DRWN: ABHILT2 2022/04/07				
	4 PLACES ±	CHK'D: TKUMARKC 2022/05/25		PRODUCT CUSTOMER DRAWING			
	3 PLACES ±	APPR: SCHIEN 2022/05/27					
	2 PLACES ± 0.13	INITIAL REVISION:					
1 PLACE ± 0.25	DRWN: ABHILT2 2022/04/07		DOCUMENT NUMBER		1111128101		
0 PLACES ±	APPR: SCHIEN 2022/05/27		DOC TYPE	DOC PART		REVISION	
DRAFT WHERE APPLICABLE MUST REMAIN WITHIN DIMENSIONS		THIRD ANGLE PROJECTION	DRAWING	SERIES	MATERIAL NUMBER	CUSTOMER	SHEET NUMBER
		⊕	D-SIZE	111112	SEE SHEET 2		3 OF 5

BEZEL AND BOARD POSITION DIMENSIONS FOR SINGLE SIDE MOUNTING (SPRING FINGER)



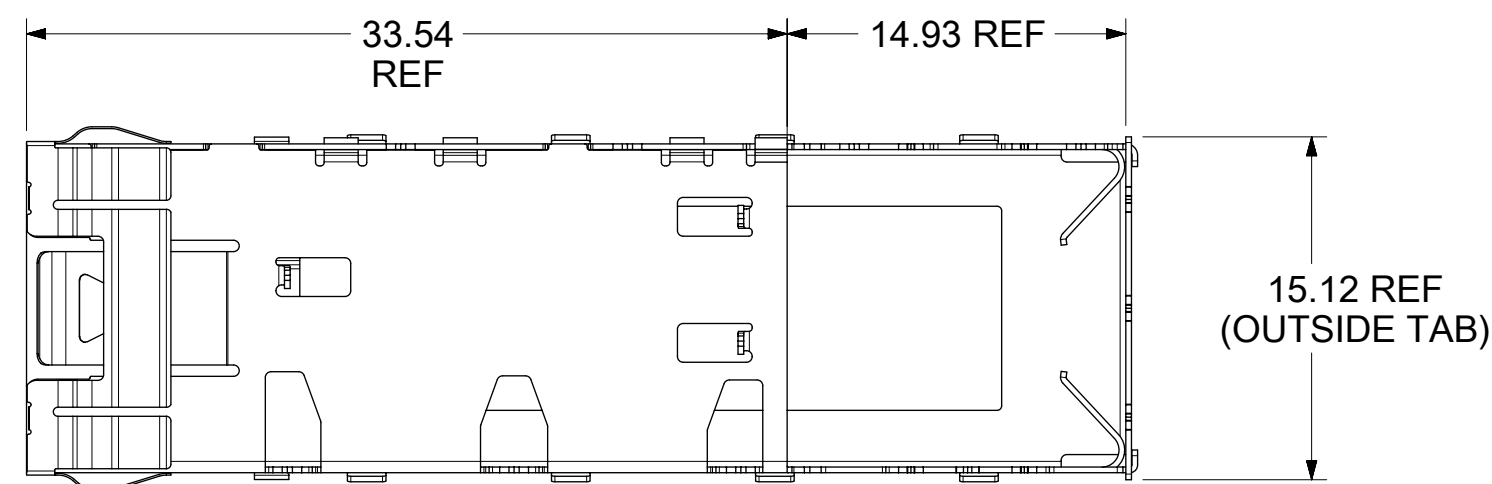
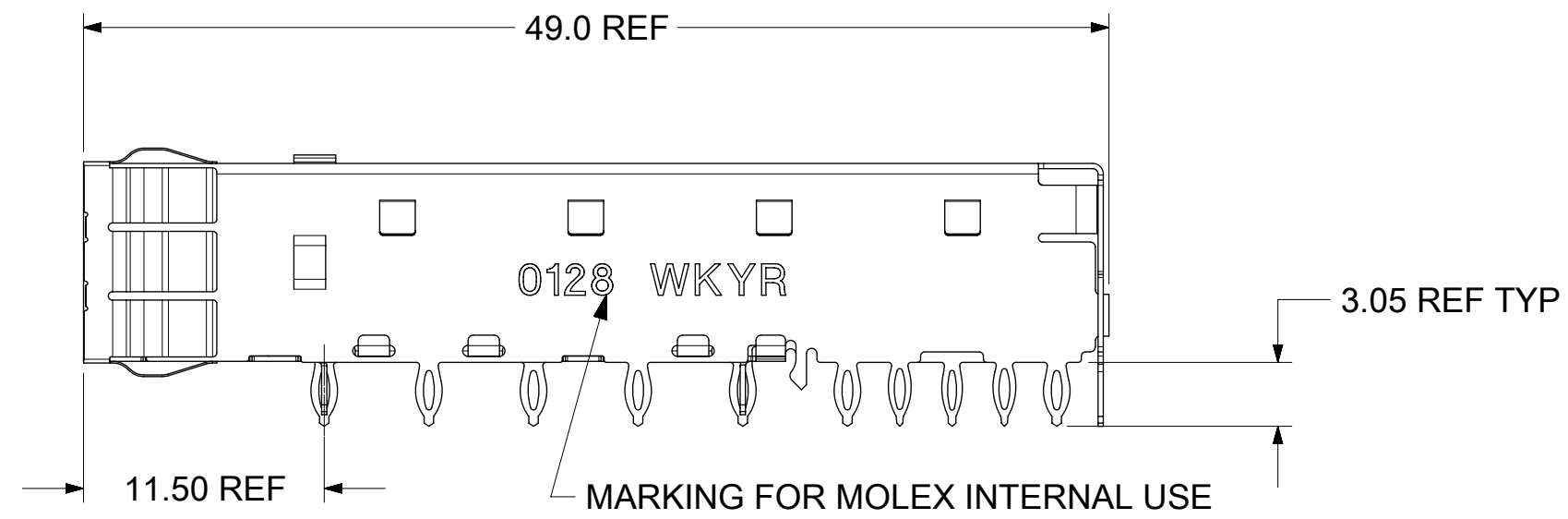
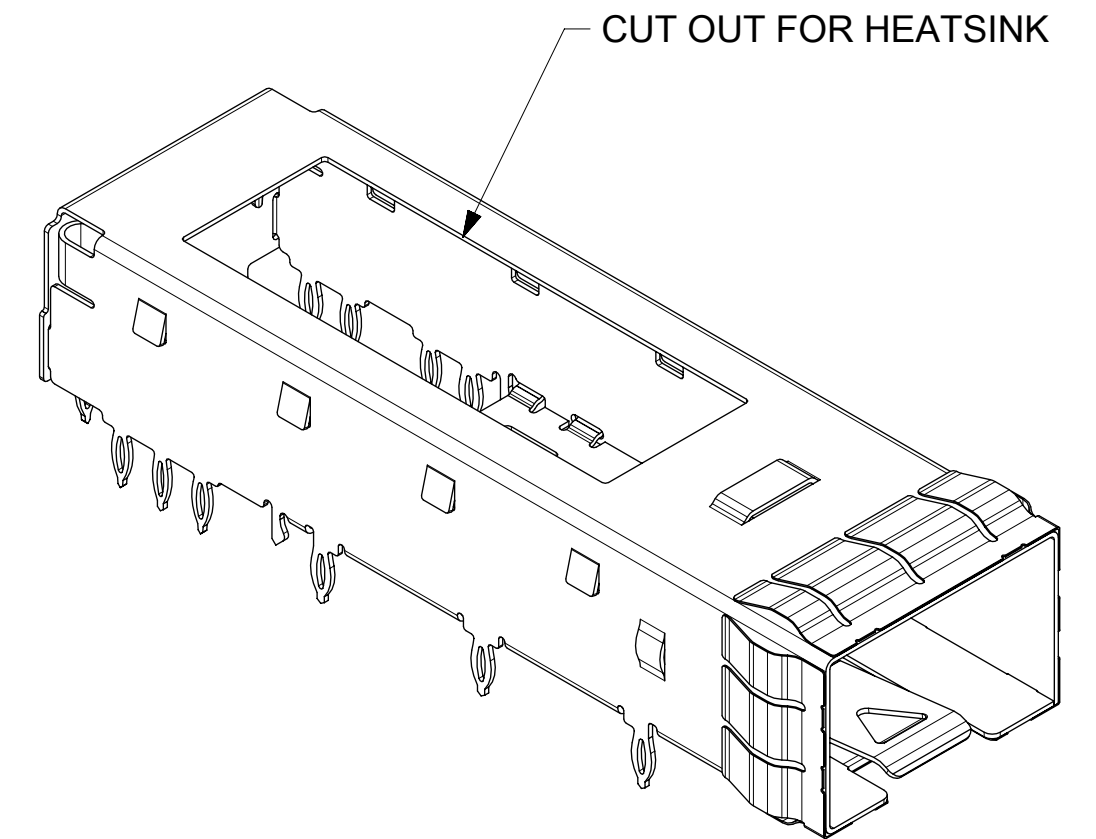
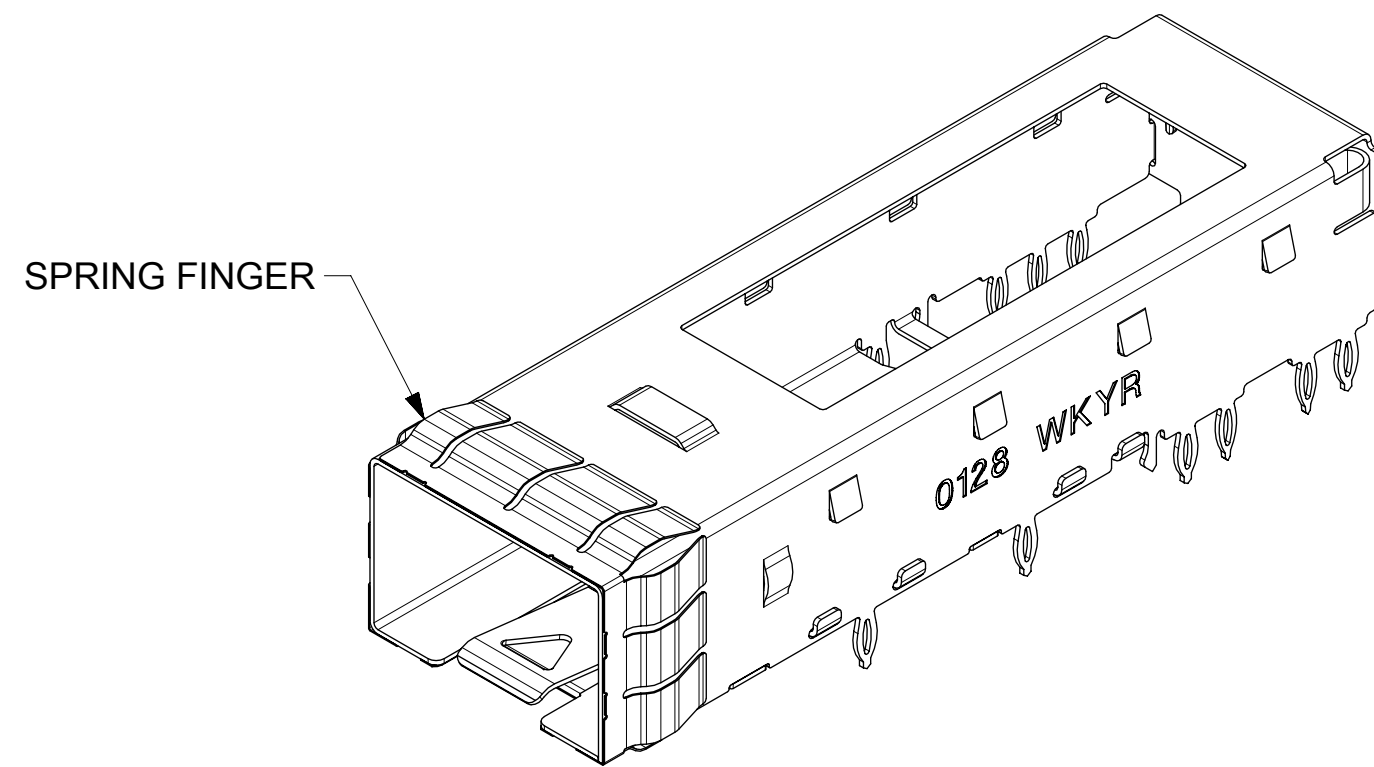
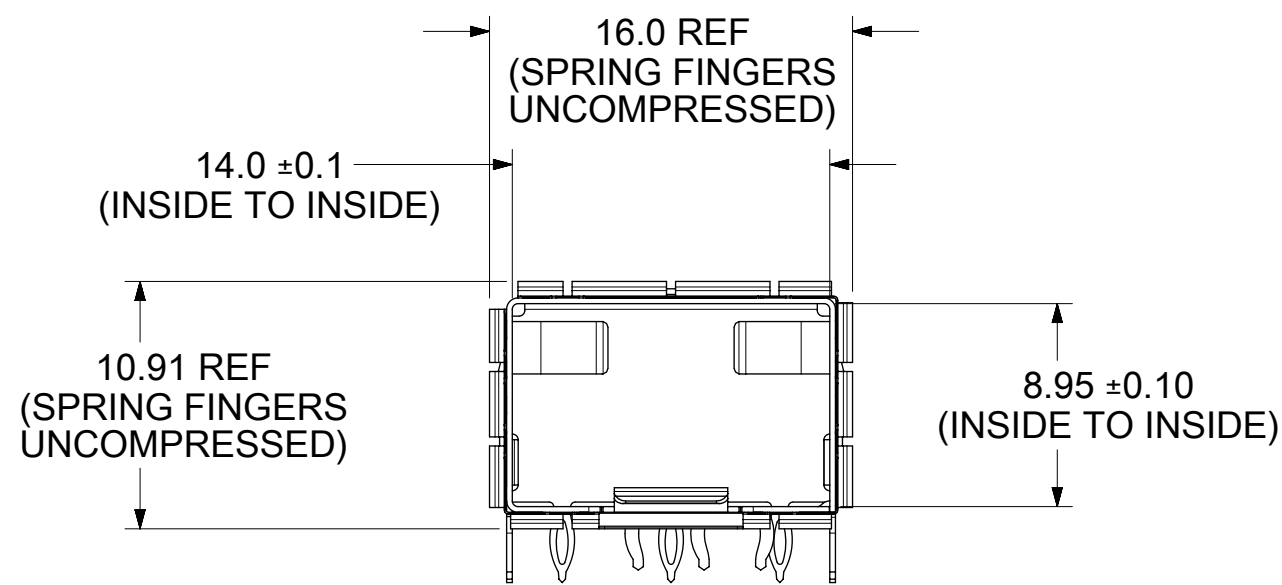
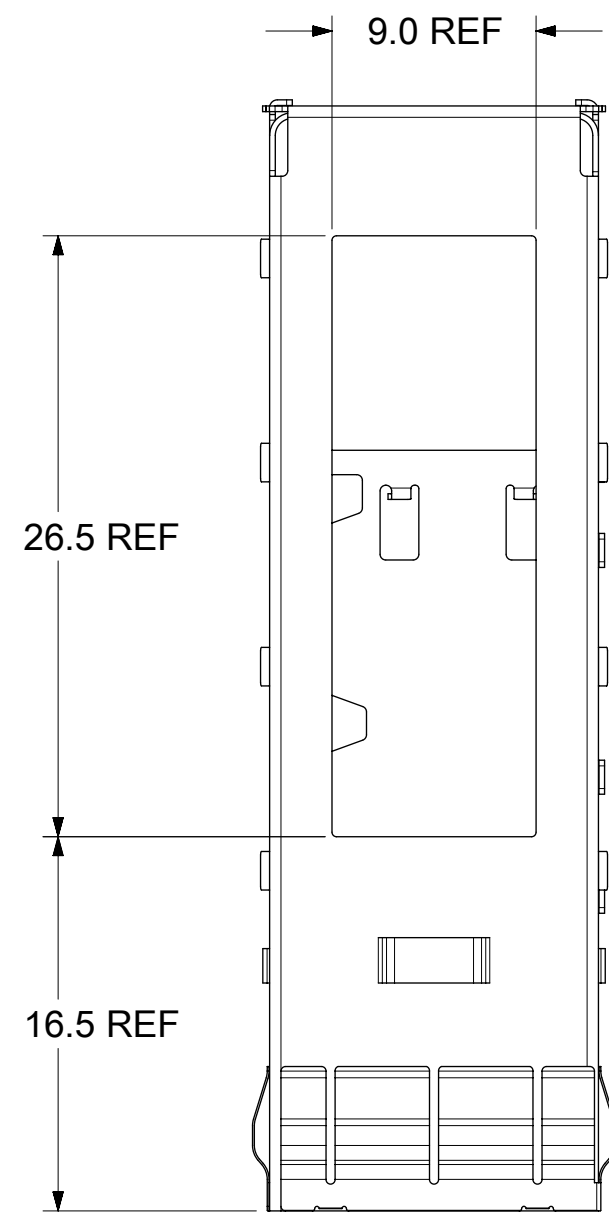
FUNCTIONAL SYMBOLS	THIS DRAWING CONTAINS INFORMATION THAT IS PROPRIETARY TO MOLEX ELECTRONIC TECHNOLOGIES, LLC AND SHOULD NOT BE USED WITHOUT WRITTEN PERMISSION		
	DIMENSION UNITS	SCALE	CURRENT REV DESC: SEE REVISION TABLE
$\nabla_A = 0$	mm	1:1	EC NO: 707262 DRWN: ABHILT2 2022/04/07 CHK'D: TKUMARKC 2022/05/25 APPR: SCHIEN 2022/05/27
$\nabla_C = 0$	GENERAL TOLERANCES (UNLESS SPECIFIED)		
$\nabla_P = 0$	ANGULAR TOL ± 1.0°		INITIAL REVISION: DRWN: ABHILT2 2022/04/07 APPR: SCHIEN 2022/05/27
DIVISIONAL SYMBOLS	4 PLACES	±	
	3 PLACES	±	DOCUMENT NUMBER 1111128101
	2 PLACES	± 0.13	
	1 PLACE	± 0.25	DOC TYPE PSD
	0 PLACES	±	DOC PART ASY
DRAFT WHERE APPLICABLE MUST REMAIN WITHIN DIMENSIONS	THIRD ANGLE PROJECTION	DRAWING	REVISION A
		D-SIZE	MATERIAL NUMBER SEE SHEET 2
		SERIES 111112	CUSTOMER SHEET NUMBER 4 OF 5

REVISION	DATE	DESCRIPTION
A	2022/05/25	INITIAL RELEASE

FUNCTIONAL SYMBOLS FA = 0 FC = 0 FP = 0 DIVISIONAL SYMBOLS	THIS DRAWING CONTAINS INFORMATION THAT IS PROPRIETARY TO MOLEX ELECTRONIC TECHNOLOGIES, LLC AND SHOULD NOT BE USED WITHOUT WRITTEN PERMISSION		DIMENSION UNITS: mm SCALE: 1:1		CURRENT REV DESC: SEE REVISION TABLE				
	GENERAL TOLERANCES (UNLESS SPECIFIED) ANGULAR TOL ± 1.0° 4 PLACES ± 3 PLACES ± 2 PLACES ± 0.13 1 PLACE ± 0.25 0 PLACES ±		EC NO: 707262 DRWN: ABHILT2 2022/04/07 CHK'D: TKUMARKC 2022/05/25 APPR: SCHIEN 2022/05/27		INITIAL REVISION: DRWN: ABHILT2 2022/04/07 APPR: SCHIEN 2022/05/27				PRODUCT CUSTOMER DRAWING
DRAFT WHERE APPLICABLE MUST REMAIN WITHIN DIMENSIONS		THIRD ANGLE PROJECTION		DRAWING: D-SIZE SERIES: 111112		DOCUMENT NUMBER: 1111128101 MATERIAL NUMBER: SEE SHEET 2		DOC TYPE: PSD DOC PART: ASY REVISION: A	
SHEET NUMBER: 5 OF 5				CUSTOMER:		SHEET NUMBER:			

CAGE ASSEMBLY

HEATSINK/CLIP NOT SHOWN FOR CLARITY



- NOTES:**
- MATERIAL:**
 CAGE: 0.25mm THICK COPPER ALLOY, NICKEL PLATED.
 FRONT SPRING FINGERS: STAINLESS STEEL.
 HEATSINK: ALUMINUM, NICKEL PLATED.
 HEATSINK SPRING CLIP: STAINLESS STEEL.
 - PRESS FIT LEGS 3.05mm LONG:**
 1.57mm MINIMUM PCB THICKNESS FOR SINGLE SIDED USE.
 - PORTS ARE DESIGNED FOR SFP+ TRANSCEIVERS AND ARE COMPATIBLE WITH SFP TRANSCEIVERS.**
 THE TOP SURFACE OF THE MODULE MUST BE FLAT (NO PRODUCT LABEL RECESS) AND THERMALLY CONDUCTIVE TO FUNCTION OPTIMALLY.
 - WELD SPOTS WILL SHOW SLIGHT MATERIAL DISCOLORATION.**
 - NO RoHS EXEMPTIONS.**
 - CUSTOM HEATSINKS AVAILABLE UPON REQUEST.**
 - CAGE ASSEMBLY, HEATSINK, AND HEATSINK SPRING CLIP SHIPPED ASSEMBLED.**
 - THE MOLEX CAGE REQUIRES USING THE MOLEX HEATSINK SPRING CLIP.**

FUNCTIONAL SYMBOLS		THIS DRAWING CONTAINS INFORMATION THAT IS PROPRIETARY TO MOLEX ELECTRONIC TECHNOLOGIES, LLC AND SHOULD NOT BE USED WITHOUT WRITTEN PERMISSION		CURRENT REV DESC: SEE REVISION TABLE	
$\nabla_A = 0$	mm	SCALE	3:1	GENERAL TOLERANCES (UNLESS SPECIFIED)	
$\nabla_E = 0$		ANGULAR TOL $\pm 1.0^\circ$		4 PLACES \pm	
$\nabla_P = 0$		3 PLACES \pm		2 PLACES ± 0.13	
DIVISIONAL SYMBOLS		1 PLACE ± 0.25		0 PLACES \pm	
DRAFT WHERE APPLICABLE MUST REMAIN WITHIN DIMENSIONS		THIRD ANGLE PROJECTION	DRAWING	SERIES	MATERIAL NUMBER
			C-SIZE	111112	111128122
DOCUMENT STATUS		P1	RELEASE DATE	2022/05/27	10:20:27

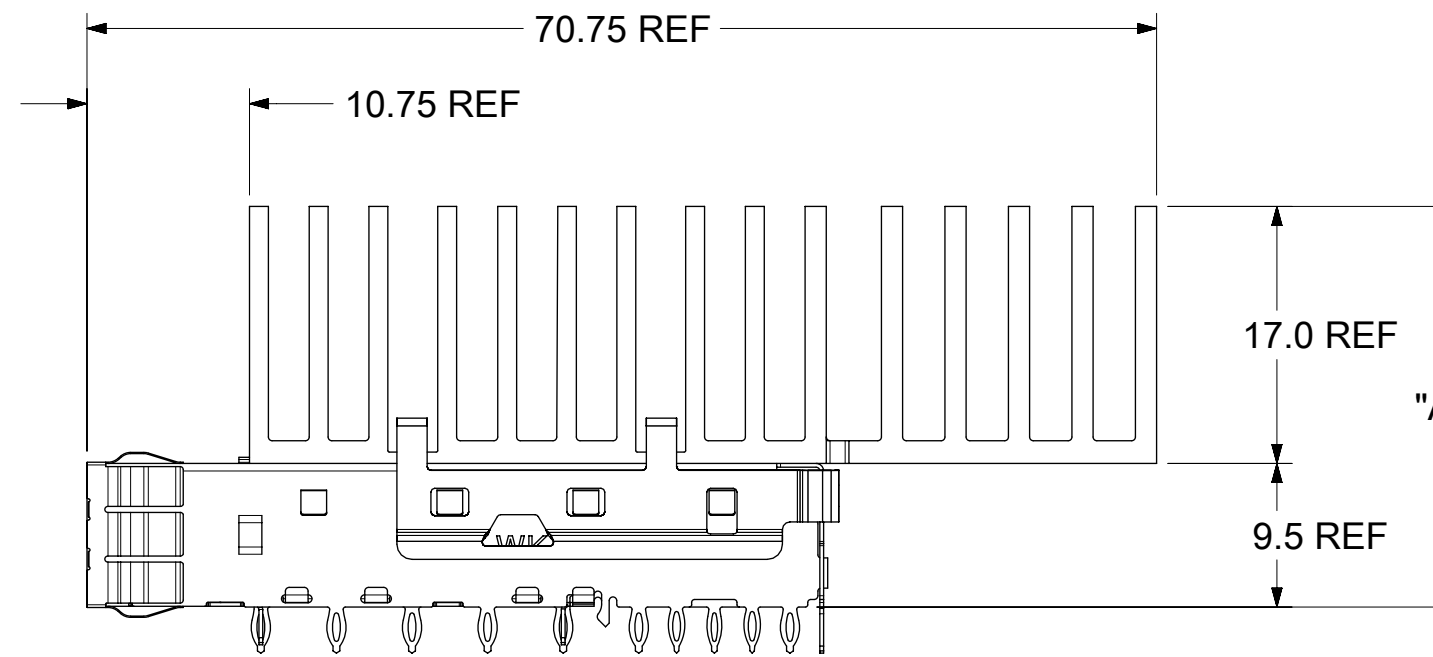
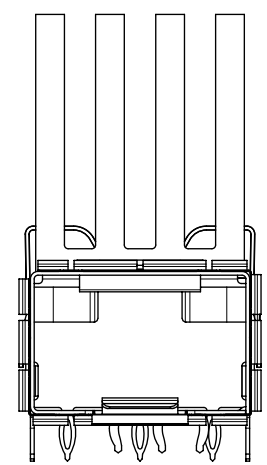
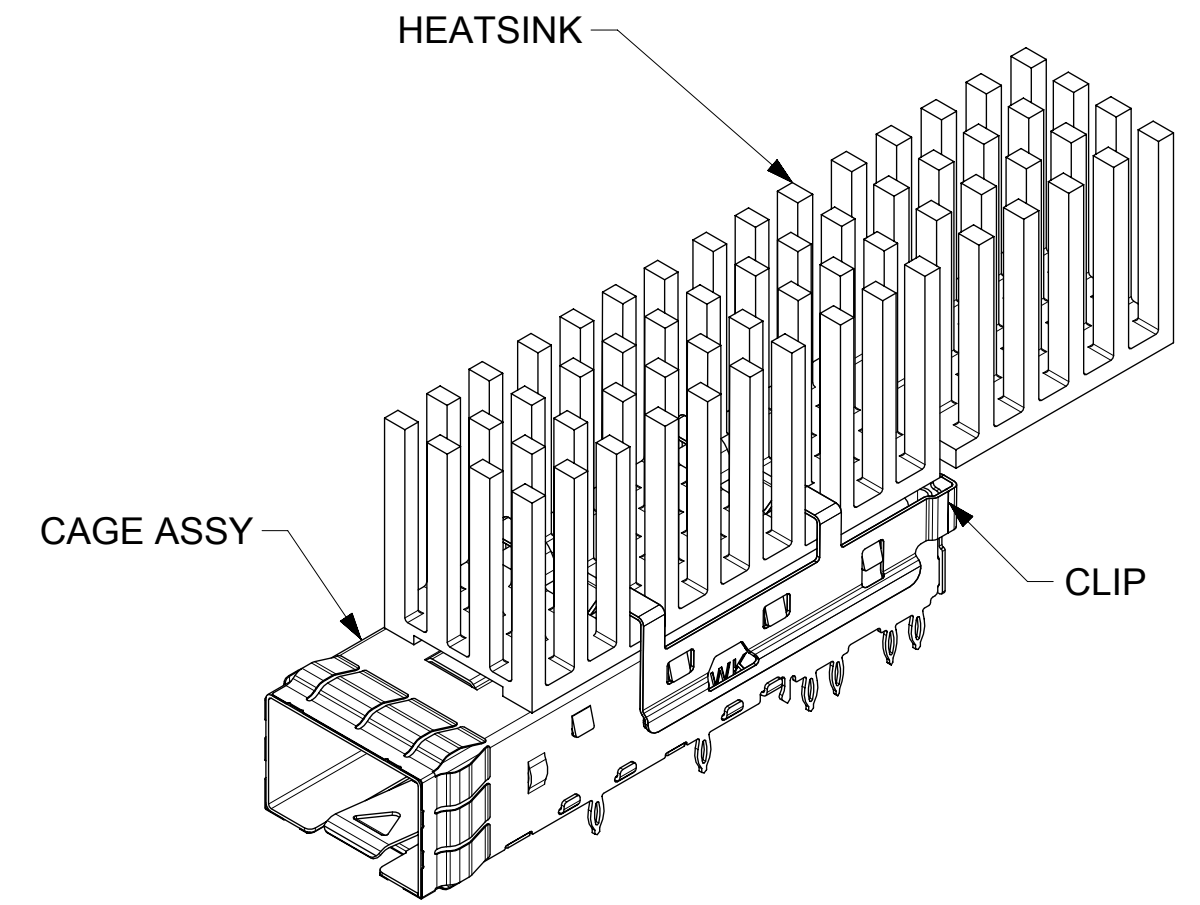
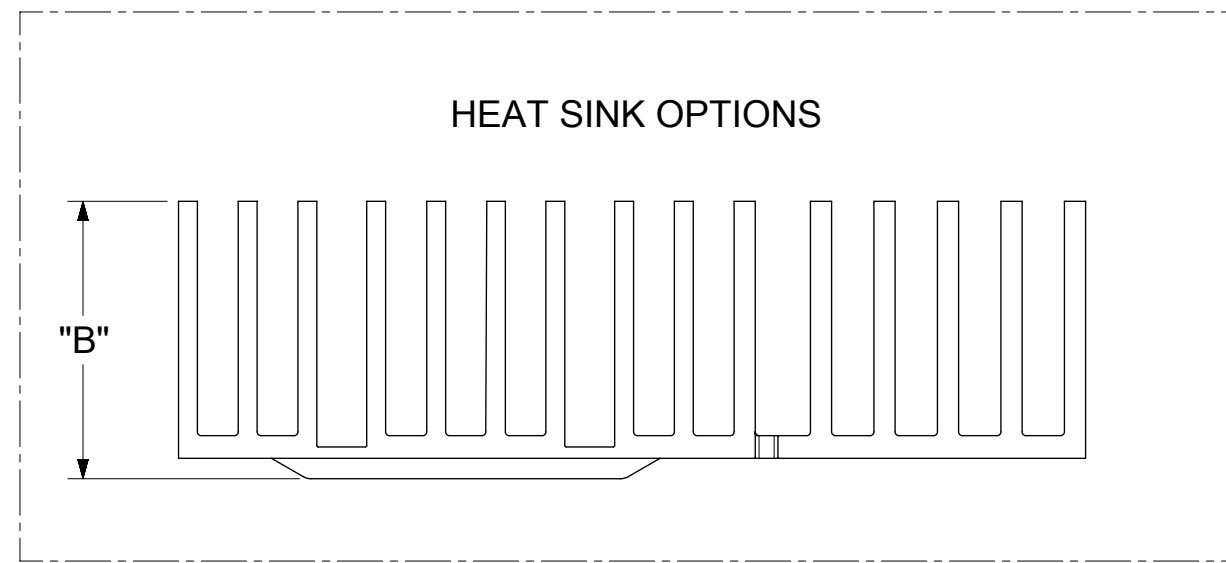
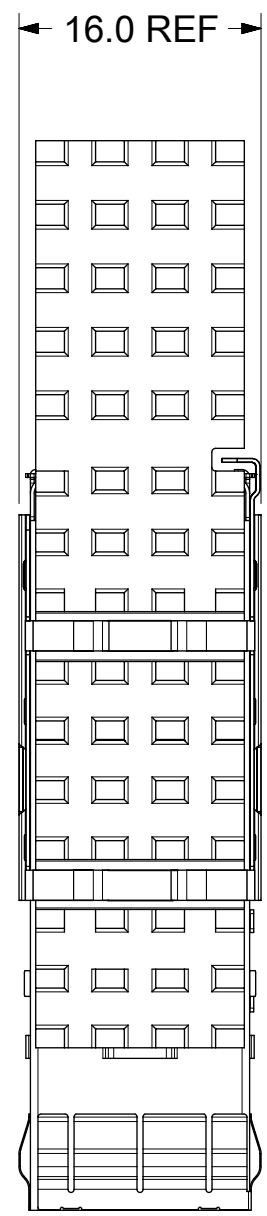
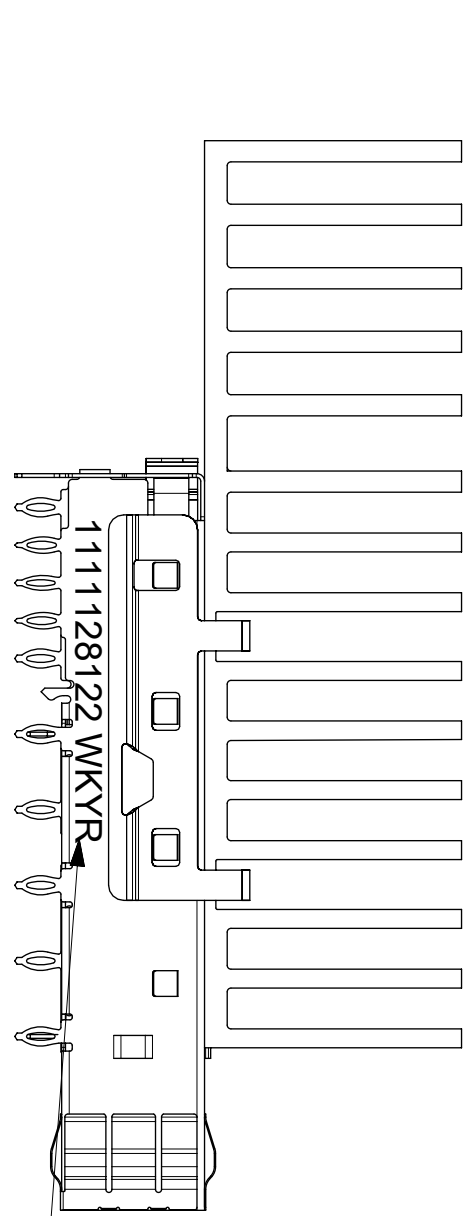
molex

SFP+ 1X1 CAGE ASSY PRESS FIT TYPE, W/ SUS SPRING FINGR, CUTOUT 3.4 & HEATSINKS

PRODUCT CUSTOMER DRAWING

DOCUMENT NUMBER: 111128122
 DOC TYPE: PSD
 DOC PART: ASY
 REVISION: A

CUSTOMER: 111128122
 SHEET NUMBER: 1 OF 5



"A" MAX TYP. (AFTER MATING WITH TRANSCEIVERS)

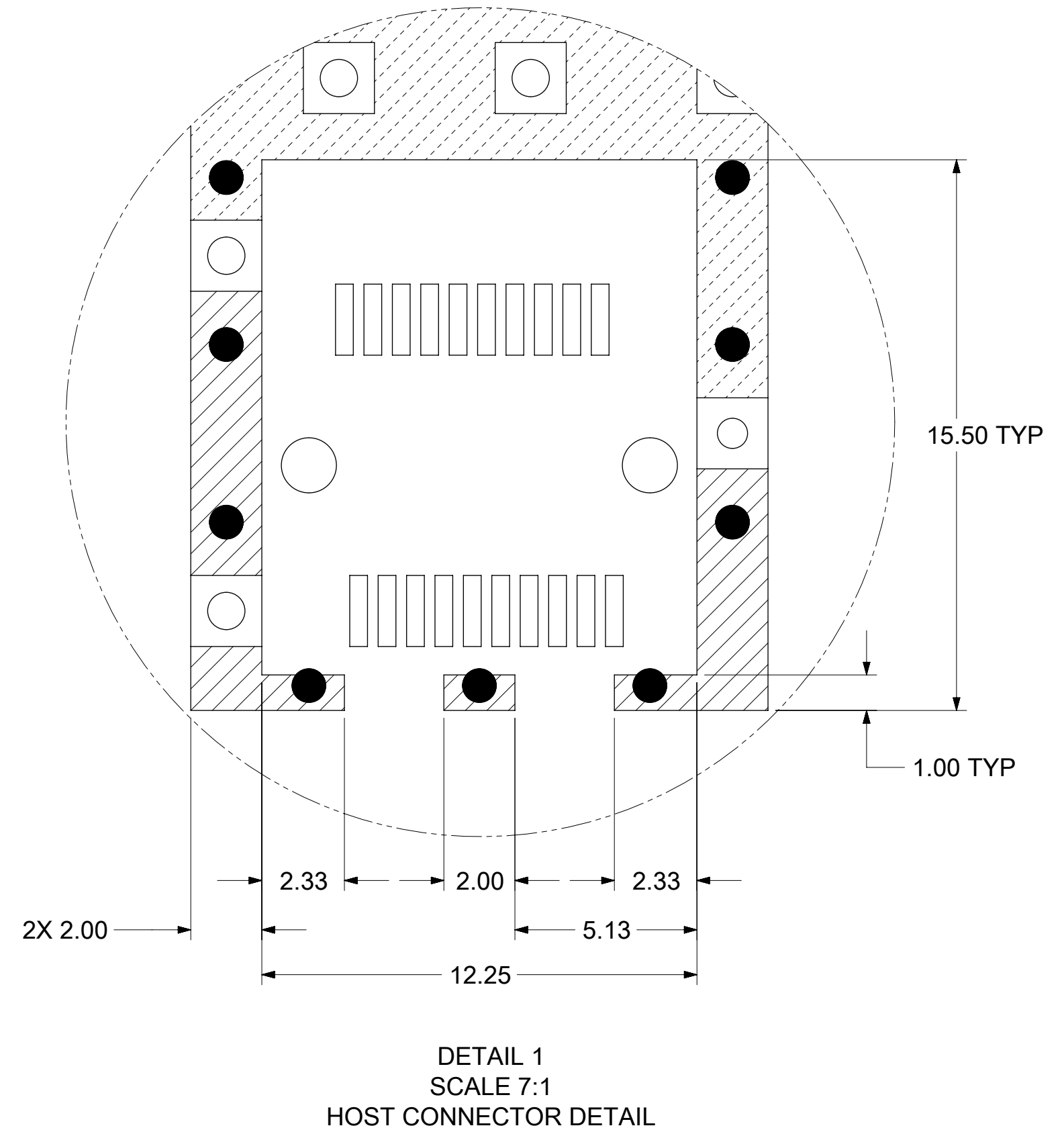
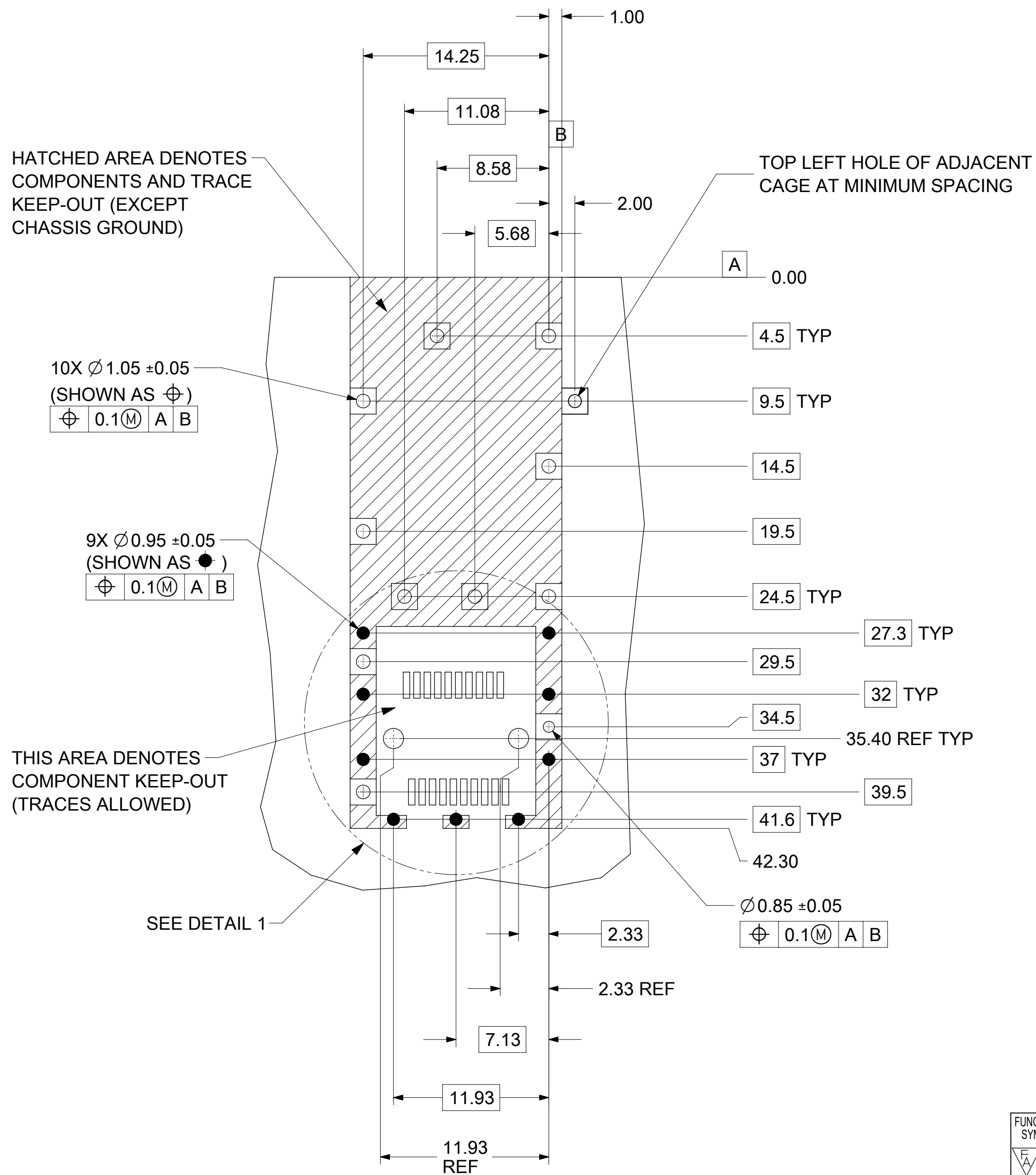
F/G PART NUMBER	DIM "A"	DIM "B"
111128122	28.1	18.35

PART NO. AND WEEK/YEAR DATE CODE TO BE PRINTED ON THE SIDE OF COMPLETED CAGE ASSEMBLY APPROXIMATELY AS SHOWN

WEEK/YEAR DATE CODE TABLE	
WK	WEEK 01 THRU 52 OR 53 EXAMPLE: 01 = FIRST WEEK OF YEAR 52 = LAST WEEK OF YEAR
YR	22, 23, 24 ETC. EXAMPLE: YEAR 2022 = 22

FUNCTIONAL SYMBOLS $\nabla_A = 0$ $\nabla_C = 0$ $\nabla_P = 0$	THIS DRAWING CONTAINS INFORMATION THAT IS PROPRIETARY TO MOLEX ELECTRONIC TECHNOLOGIES, LLC AND SHOULD NOT BE USED WITHOUT WRITTEN PERMISSION	SCALE		CURRENT REV DESC: SEE REVISION TABLE				
	DIMENSION UNITS	mm	2:1	molex SFP+ 1X1 CAGE ASSY PRESS FIT TYPE, W/ SUS SPRING FINGR, CUTOUT 3.4 & HEATSINKS				
	GENERAL TOLERANCES (UNLESS SPECIFIED)							
	ANGULAR TOL	$\pm 1.0^\circ$		EC NO: 707262 DRWN: SKRISHNAMURT 2022/04/11 CHK'D: TKUMARKC 2022/05/25 APPR: SCHIEN 2022/05/27				
DIVISIONAL SYMBOLS	4 PLACES	\pm	PRODUCT CUSTOMER DRAWING DOCUMENT NUMBER: 111128122 DOC TYPE: PSD DOC PART: ASY REVISION: A					
	3 PLACES	\pm						
	2 PLACES	± 0.13	INITIAL REVISION: DRWN: SKRISHNAMURT 2022/04/11 APPR: SCHIEN 2022/05/27					
	1 PLACE	± 0.25						
	0 PLACES	\pm	THIRD ANGLE PROJECTION	DRAWING	SERIES	MATERIAL NUMBER	CUSTOMER	SHEET NUMBER
DRAFT WHERE APPLICABLE MUST REMAIN WITHIN DIMENSIONS				C-SIZE	111112	111128122		2 OF 5

PCB LAYOUT FOR SINGLE SIDE MOUNT



- NOTES:
1. PADS AND VIAS CONNECT TO CHASSIS GROUND (RECOMMEND PADS TO BE 2.00mm SQUARE)
 2. RECOMMENDED THRU HOLE PLATING INCLUDES HASL, OSP, OR IMMERSION (GOLD, SILVER, OR TIN).
 3. CONNECTOR PAD LAYOUT PER SFP+ MSA WILL ACCOMMODATE MOLEX CONNECTOR SERIES 74441 OR EQUIVALENT.

FUNCTIONAL SYMBOLS	THIS DRAWING CONTAINS INFORMATION THAT IS PROPRIETARY TO MOLEX ELECTRONIC TECHNOLOGIES, LLC AND SHOULD NOT BE USED WITHOUT WRITTEN PERMISSION		CURRENT REV DESC: SEE REVISION TABLE		
	DIMENSION UNITS	SCALE			
	$\frac{F}{A} = 0$	mm	3:1		
	$\frac{E}{C} = 0$	GENERAL TOLERANCES (UNLESS SPECIFIED)			
DIVISIONAL SYMBOLS	$\frac{E}{P} = 0$	ANGULAR TOL $\pm 1.0^\circ$		EC NO: 707262	
	4 PLACES	\pm		DRWN: SKRISHNAMURT 2022/04/11	
	3 PLACES	\pm		CHK'D: TKUMARKC 2022/05/25	
	2 PLACES	± 0.13		APPR: SCHIEN 2022/05/27	
1 PLACE	± 0.25		INITIAL REVISION:		
0 PLACES	\pm		DRWN: SKRISHNAMURT 2022/04/11		
DRAFT WHERE APPLICABLE MUST REMAIN WITHIN DIMENSIONS		THIRD ANGLE PROJECTION	DRAWING	SERIES	DOCUMENT NUMBER
			C-SIZE	111112	111128122
					CUSTOMER
					PSD ASY A
					SHEET NUMBER
					3 OF 5

molex

SFP+ 1X1 CAGE ASSY PRESS FIT TYPE, W/ SUS SPRING FINGR, CUTOUT 3.4 & HEATSINKS

PRODUCT CUSTOMER DRAWING

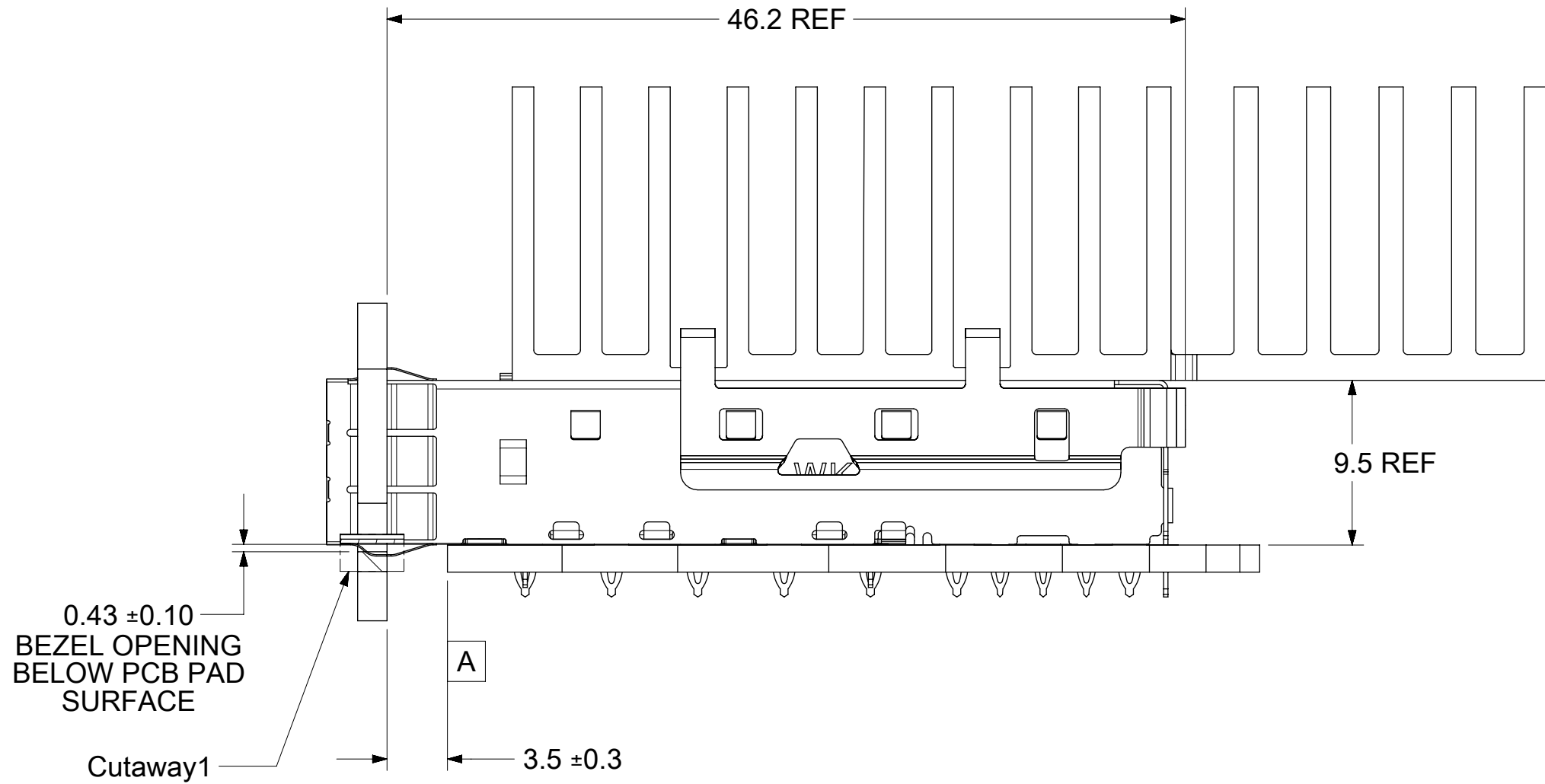
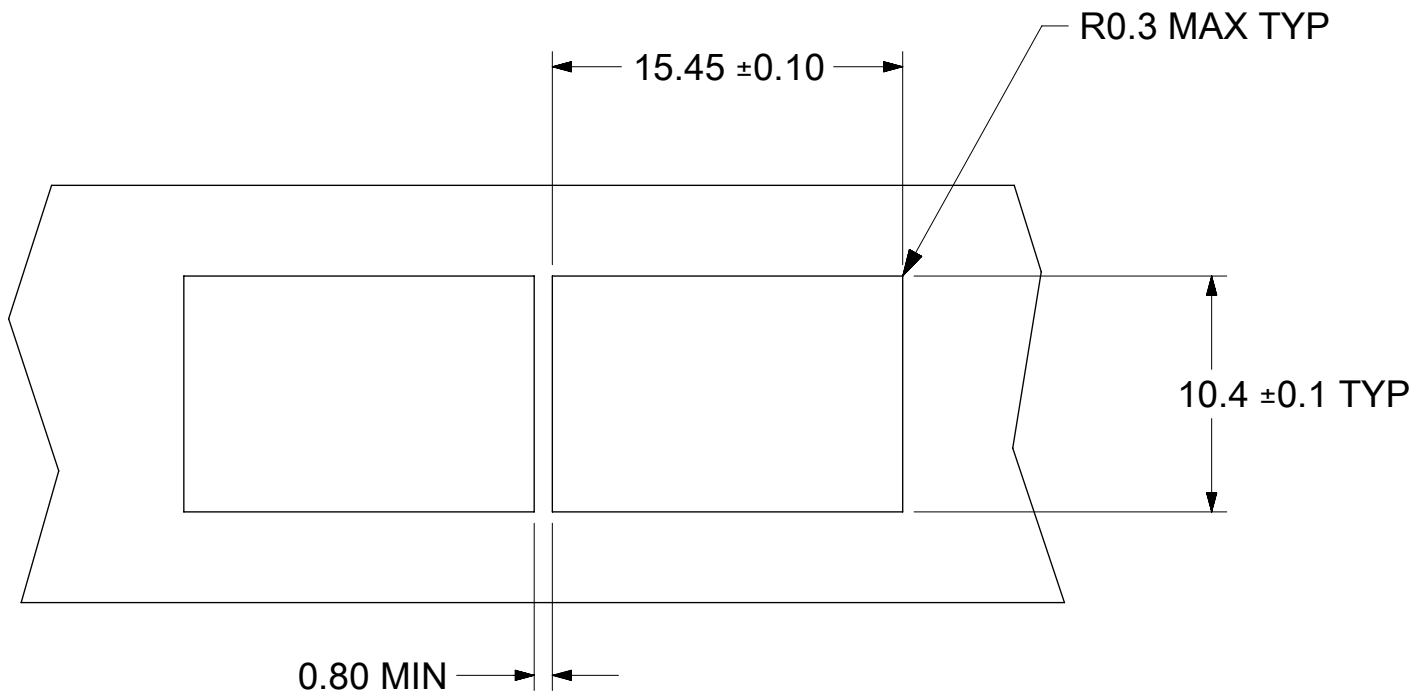
111128122

PSD ASY A

111128122

3 OF 5

BEZEL AND BOARD POSITION DIMENSIONS FOR SINGLE SIDE MOUNTING (SPRING FINGER)



FUNCTIONAL SYMBOLS	THIS DRAWING CONTAINS INFORMATION THAT IS PROPRIETARY TO MOLEX ELECTRONIC TECHNOLOGIES, LLC AND SHOULD NOT BE USED WITHOUT WRITTEN PERMISSION										
	DIMENSION UNITS	SCALE	CURRENT REV DESC: SEE REVISION TABLE							molex	
$\frac{F}{A} = 0$	mm	3:1	EC NO: 707262 DRWN: SKRISHNAMURT 2022/04/11 CHK'D: TKUMARKC 2022/05/25 APPR: SCHIEN 2022/05/27								
$\frac{F}{C} = 0$	GENERAL TOLERANCES (UNLESS SPECIFIED)									INITIAL REVISION: DRWN: SKRISHNAMURT 2022/04/11 APPR: SCHIEN 2022/05/27	
$\frac{F}{P} = 0$	ANGULAR TOL ± 1.0°		DOCUMENT NUMBER 111128122								
DIVISIONAL SYMBOLS										THIRD ANGLE PROJECTION	
4 PLACES ±			DRAWING C-SIZE								
3 PLACES ±										SERIES 111112	
2 PLACES ± 0.13			MATERIAL NUMBER 111128122								
1 PLACE ± 0.25										DRAFT WHERE APPLICABLE MUST REMAIN WITHIN DIMENSIONS	
0 PLACES ±			THIRD ANGLE PROJECTION								
DRAFT WHERE APPLICABLE MUST REMAIN WITHIN DIMENSIONS										THIRD ANGLE PROJECTION	

H
G
F
E
D
C
B
A

REV	DATE	DESCRIPTION
A	2022/05/25	INITIAL RELEASE

FUNCTIONAL SYMBOLS = 0 = 0 = 0 DIVISIONAL SYMBOLS 3 PLACES ± 2 PLACES ± 0.13 1 PLACE ± 0.25 0 PLACES ± DRAFT WHERE APPLICABLE MUST REMAIN WITHIN DIMENSIONS	THIS DRAWING CONTAINS INFORMATION THAT IS PROPRIETARY TO MOLEX ELECTRONIC TECHNOLOGIES, LLC AND SHOULD NOT BE USED WITHOUT WRITTEN PERMISSION			
	DIMENSION UNITS: mm SCALE: 1:1	CURRENT REV DESC: SEE REVISION TABLE		
	GENERAL TOLERANCES (UNLESS SPECIFIED) ANGULAR TOL ± 1.0°			
	EC NO: 707262 DRWN: SKRISHNAMURT 2022/04/11 CHK'D: TKUMARKC 2022/05/25 APPR: SCHIEN 2022/05/27		PRODUCT CUSTOMER DRAWING	
	INITIAL REVISION: DRWN: SKRISHNAMURT 2022/04/11 APPR: SCHIEN 2022/05/27		DOCUMENT NUMBER: 111128122 DOC TYPE: PSD DOC PART: ASY REVISION: A	
THIRD ANGLE PROJECTION 	DRAWING: C-SIZE	SERIES: 111112	MATERIAL NUMBER: 111128122 CUSTOMER:	SHEET NUMBER: 5 OF 5



SFP+ 1X1 CAGE ASSY PRESS FIT TYPE, W/ SUS SPRING FINGR, CUTOUT 3.4 & HEATSINKS