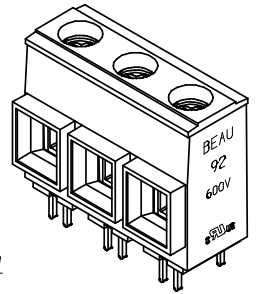
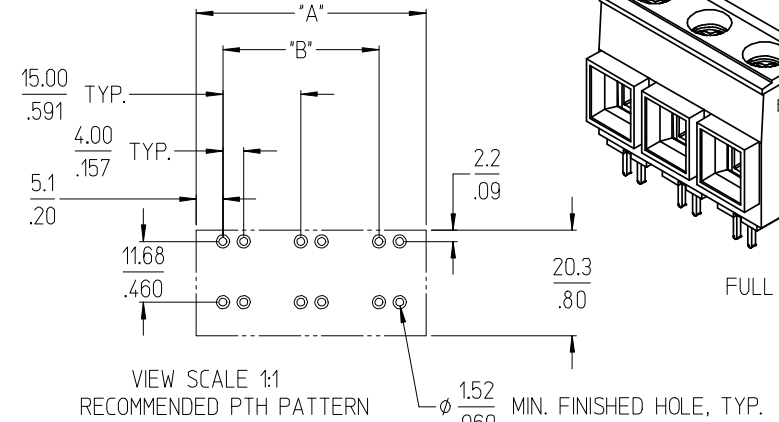
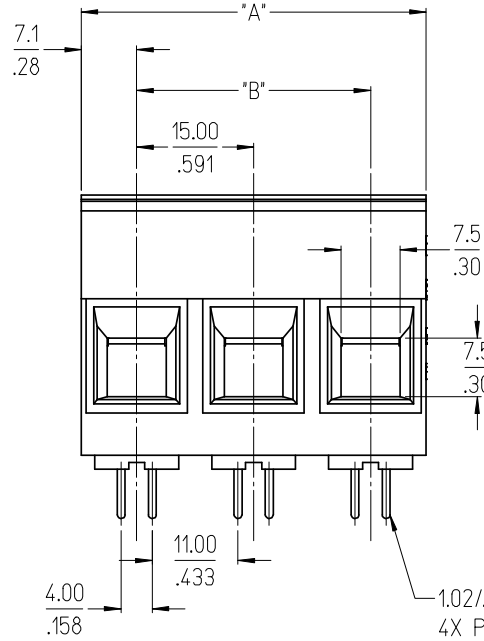
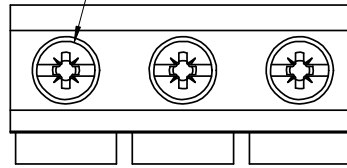
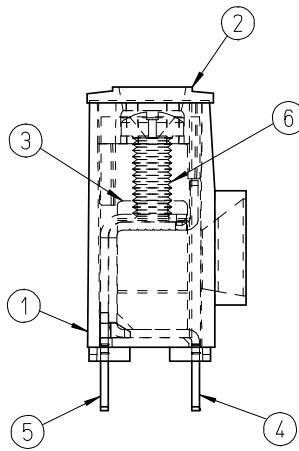


NO. OF CIRCUITS	DIM. "A"		DIM. "B"		ASSEMBLY MATERIAL NO.
	mm	in	mm	in	
02	29.2	1.15	15.00	.591	399200802
03	44.2	1.74	30.00	1.181	399200803
04	59.2	2.33	45.00	1.772	399200804
05	74.2	2.92	60.00	2.362	399200805
06	89.2	3.51	75.00	2.953	399200806
07	104.2	4.10	90.00	3.543	399200807
08	119.2	4.69	105.00	4.134	399200808
09	134.2	5.28	120.00	4.724	399200809
10	149.2	5.87	135.00	5.315	399200810
11	164.2	6.46	150.00	5.906	399200811
12	179.2	7.06	165.00	6.496	399200812

M5 COMBO HEAD SCREW,
6.35/.250" BLADE, #2 POZI



FULL SCALE



NOTES:

1. MATERIAL: SEE TABLE
2. FINISHES: SEE TABLE
3. DESIGNED TO MEET NEC & UL 1059 CLASS C 600 VOLTS.
4. "XX" REFERS TO THE QUANTITY OF CIRCUITS.
5. ASSEMBLY IS ROHS COMPLIANT BY EXEMPTION.
COMPONENTS MARKED WITH AN ASTERISK (*) ARE ROHS COMPLIANT BY EXEMPTION, ALL OTHERS ARE ROHS COMPLIANT.

ITEM	QTY.	DESCRIPTION	MATERIAL	FINISH
6	XX	SCREW, M5, #2 POZI-SLOT, ST. STEEL	ST. STEEL	TIN PLATE
5	XX	TERMINAL, OUTER	COPPER	TIN PLATE
4	XX	TERMINAL, INNER	COPPER	TIN PLATE
3	XX	CAGE (*)	BRASS	NICKEL PLATE
2	1	COVER	PBT	BLACK
1	1	BODY	PBT	BLACK

INITIAL RELEASE EC NO: ETC2008-0077 DRWN: CLYORK 2007/09/17 CHKD: MACNEIL 2007/09/18 APPR: MACNEIL 2007/09/18	QUALITY SYMBOLS ▽=0 ▽=0
---	-------------------------------

DRAFT WHERE APPLICABLE MUST REMAIN WITHIN DIMENSIONS	GENERAL TOLERANCES (UNLESS SPECIFIED)	
	mm	INCH
	4 PLACES ± ---	± ---
	3 PLACES ± ---	± .005
	2 PLACES ± 0.13	± .01
1 PLACE ± 0.3	± ---	
ANGULAR ± 2 °		

DIMENSION STYLE MM/IN	
DRAWN BY C. YORK	DATE 2007/09/12
CHECKED BY J. MACNEIL	DATE 2007/09/12
APPROVED BY J. MACNEIL	DATE 2007/09/12
MATERIAL NO. SEE CHART	

SCALE 3:2	DESIGN UNITS INCH	THIRD ANGLE PROJECTION
TITLE 15.00/.591 SR BTS, PC, #3 AWG ASST, 600V, 85A, SS SCREW		
MOLEX INCORPORATED		
DOCUMENT NO. SD-39920-001	SHEET NO. 1 OF 1	