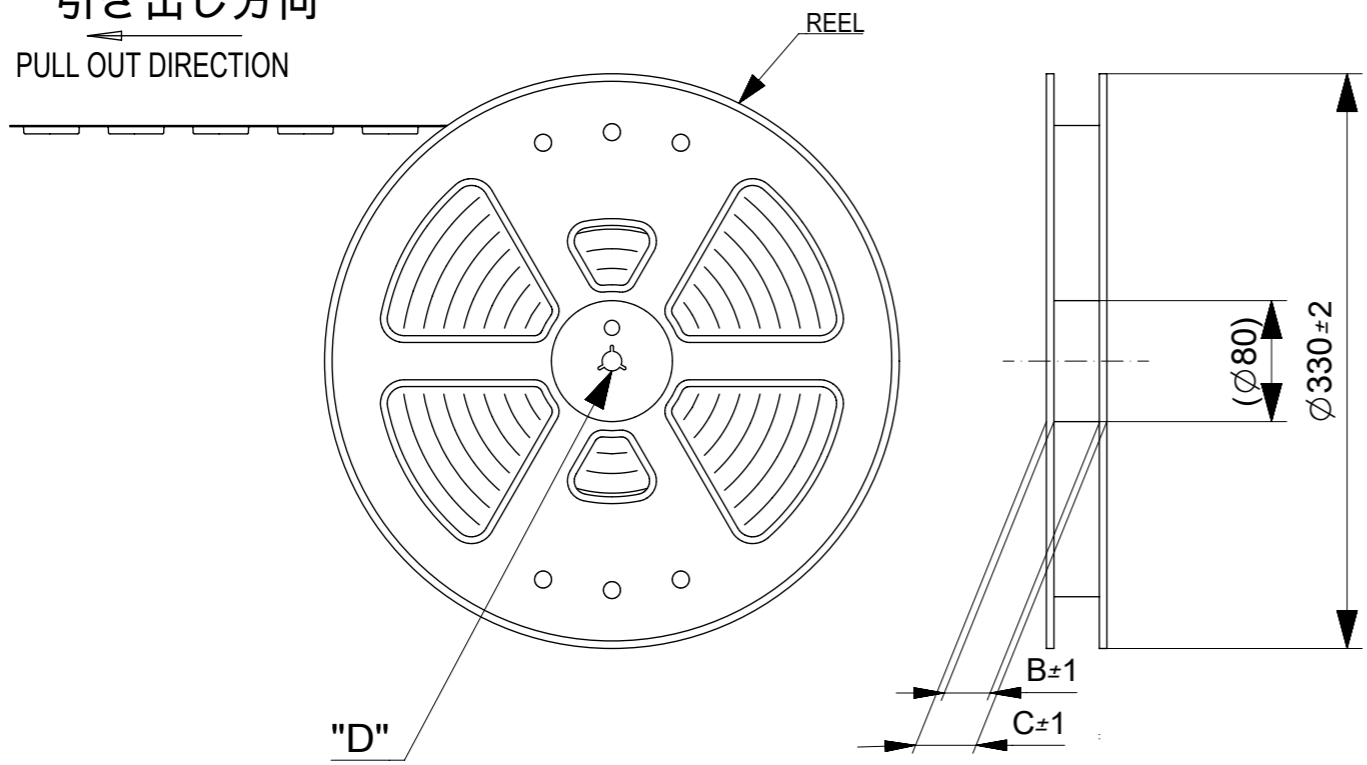
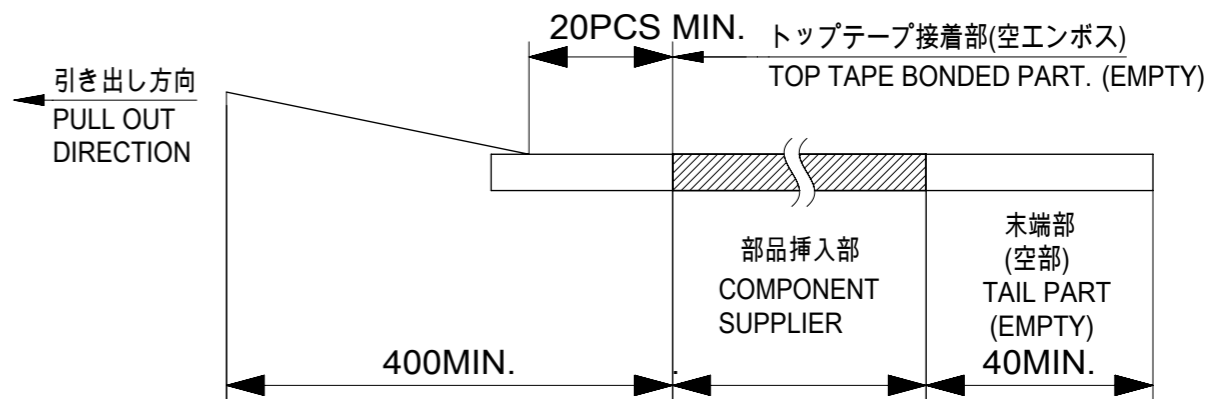


引き出し方向  
PULL OUT DIRECTION

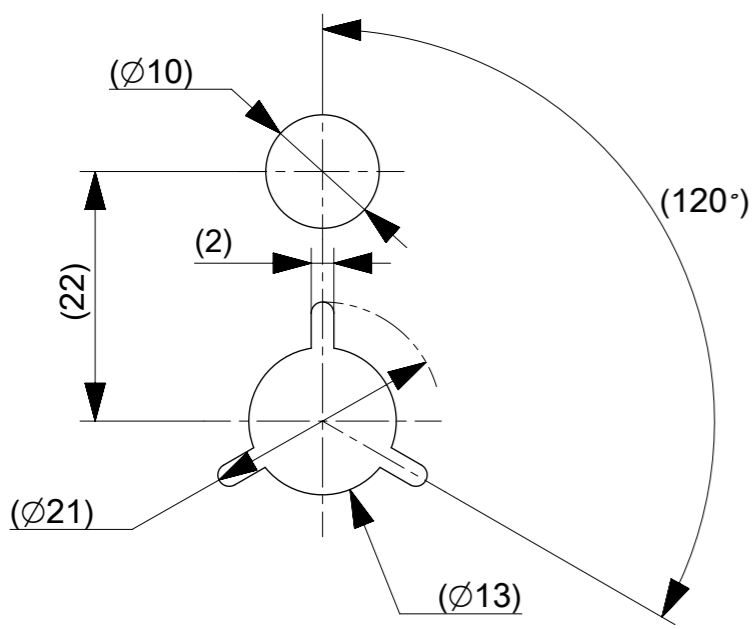


注記 NOTES

- 製品詳細寸法については製品単体図面を参照下さい。  
RE DETAILED DIMENSION, SEE PRODUCT DRAWING.
- 梱包数量：3000個 / リール  
NUMBER OF CONNECTORS : 3000 PCS/REEL.
- リードテープ長さ LEAD TAPE LENGTH.

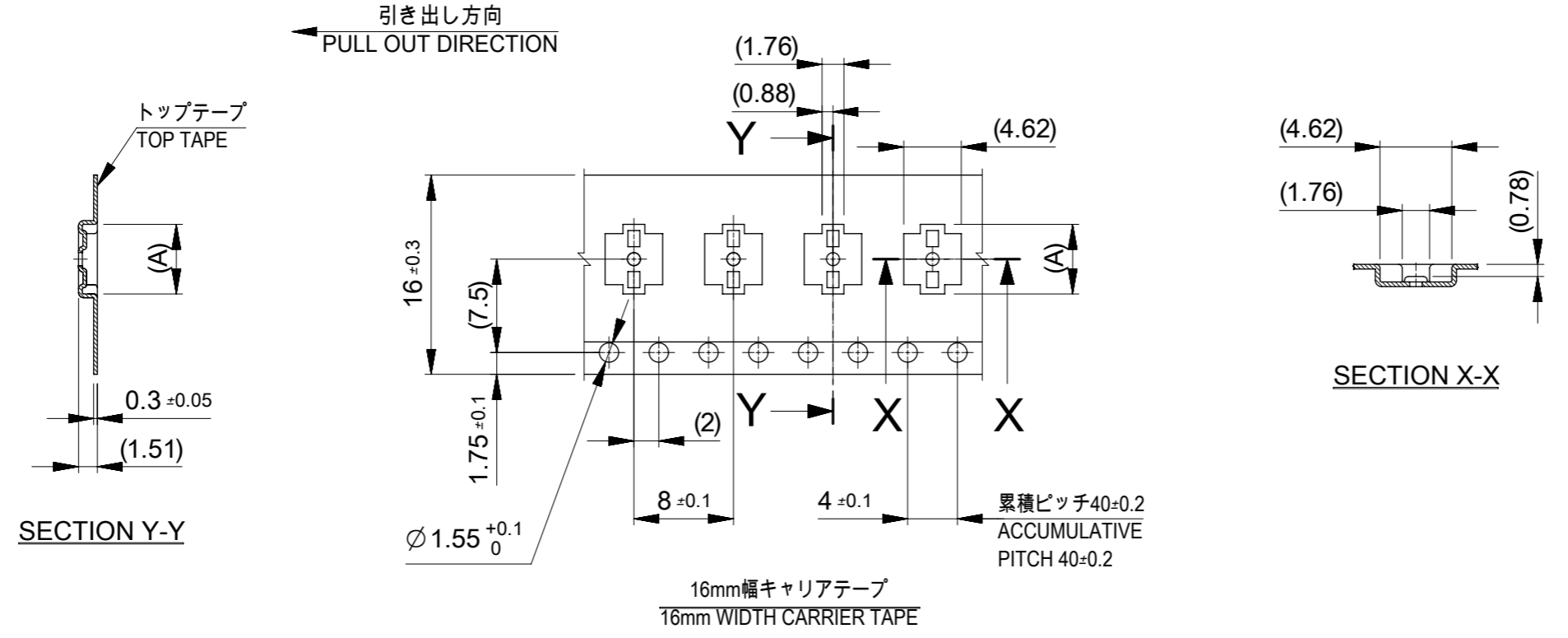


- カバーテープの剥離強度については、IEC60286-3に準拠。  
COVER TAPE PEEL FORCE IS DEFINED BY IEC60286-3.
- 材料 MATERIAL  
キャリアテープ(CARRIER TAPE) : ポリスチレン(POLYSTYRENE)  
トップテープ(TOP TAPE) : PET, OTHER  
リール(REEL) : ポリスチレン(PS) <リサイクル材を含む>  
POLYSTYRENE(PS) < RECYCLE MATERIAL CONTAINED >
- ELV 及び RoHS適合品  
ELV AND RoHS COMPLIANT



DETAIL "D"

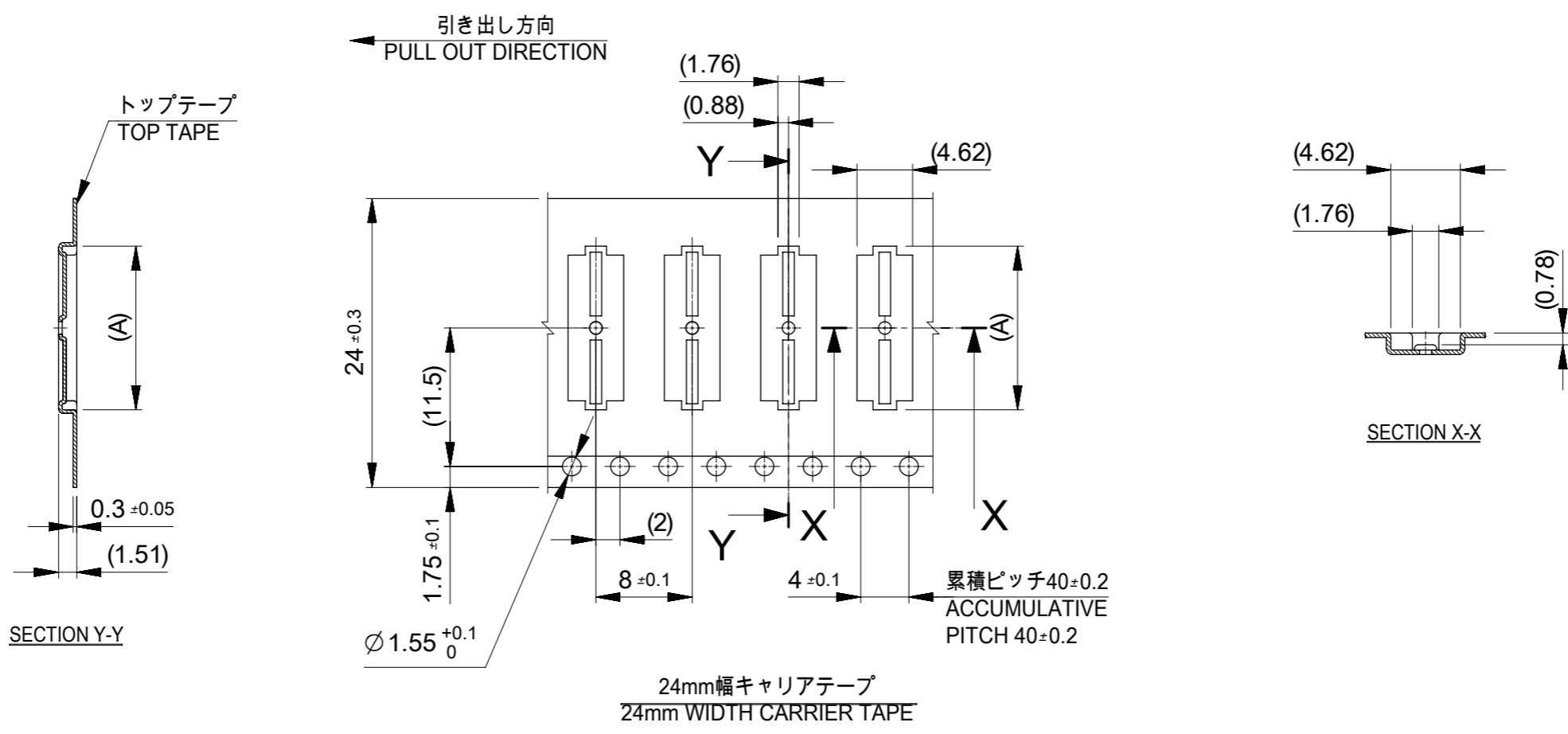
THIS DRAWING CONTAINS INFORMATION THAT IS PROPRIETARY TO MOLEX ELECTRONIC TECHNOLOGIES, LLC AND SHOULD NOT BE USED WITHOUT WRITTEN PERMISSION											
EC NO: 108729 DRWN: JFURUKAWA CHK'D: TASAKAWA APPR: KMORIKAWA	2016/09/21	GENERAL TOLERANCES (UNLESS SPECIFIED)		DIMENSION UNITS	SCALE	<b>molex</b> 0.4 BB CONN. HGT=0.8 PLUG ASSY EMBSTP PKG					
	2016/09/27	ANGULAR TOL ± 3.0 °		MM	NTS						
	2016/09/27	4 PLACES	± 0.03	DRWN BY	DATE	PRODUCT CUSTOMER DRAWING					
		3 PLACES	± 0.03	JFURUKAWA	2016/09/21						
		2 PLACES	± 0.05	CHK'D BY	DATE						
		1 PLACE	± 0.1	TASAKAWA	2016/09/27	SERIES: 503776 MATERIAL NUMBER: SEE CHART CUSTOMER: GENERAL					
		0 PLACES	± 0.2	APPR BY	DATE						
		DRAFT WHERE APPLICABLE MUST REMAIN WITHIN DIMENSIONS		DRAWING SIZE	THIRD ANGLE PROJECTION	DOCUMENT NUMBER: 5037760000 DOC TYPE: PSD DOC PART: 000 SHEET NUMBER: 1 OF 3					
A	REV			A3							



16	21.4	17.4	6.39	503776-2410	24
			5.59	503776-2010	20
			4.79	503776-1610	16
			3.59	503776-1010	10
キャリアテープ幅 CARRIER TAPE WIDTH		C	B	(A)	MATERIAL NO. CKT. MODEL NO. 503776-***0

THIS DRAWING CONTAINS INFORMATION THAT IS PROPRIETARY TO MOLEX ELECTRONIC TECHNOLOGIES, LLC AND SHOULD NOT BE USED WITHOUT WRITTEN PERMISSION

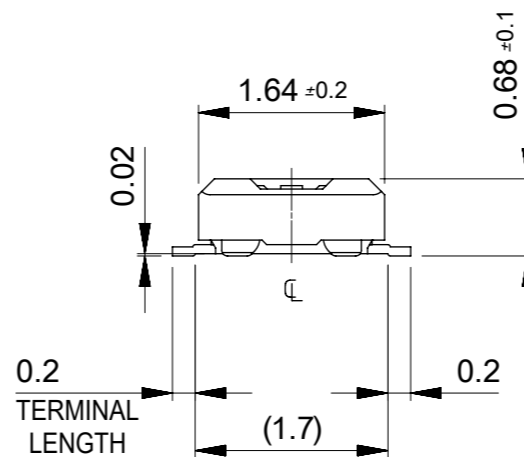
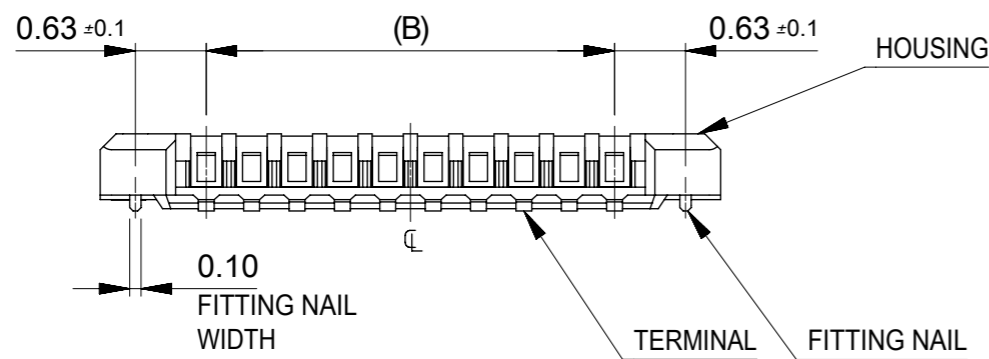
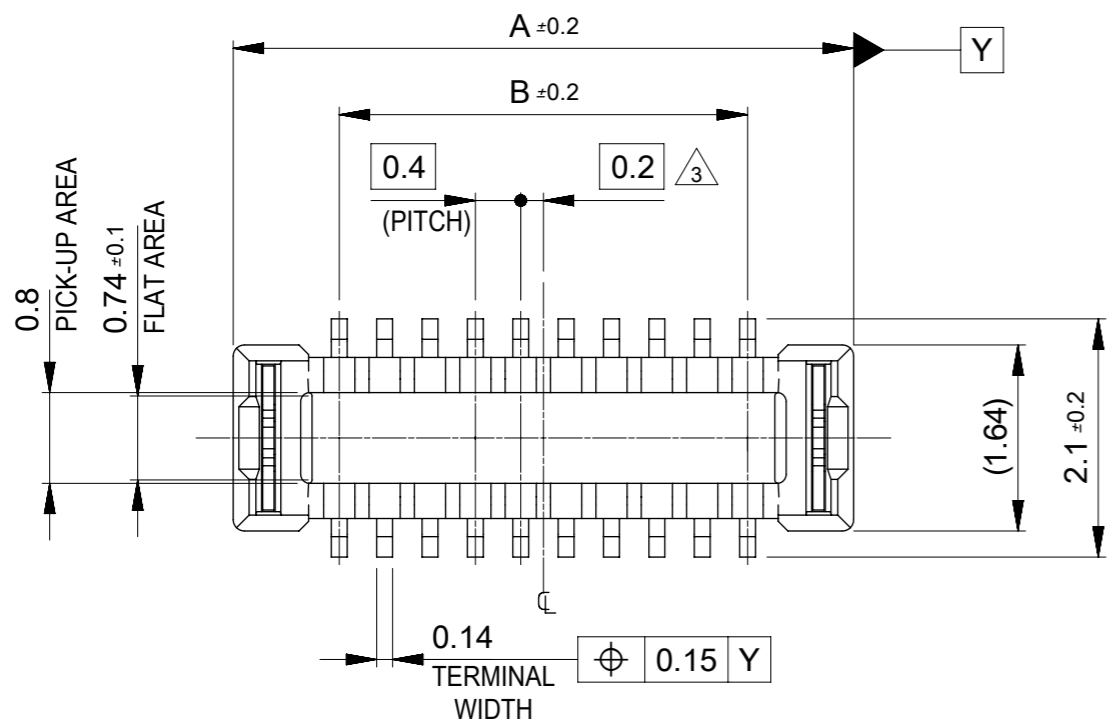
EC NO: 108729 DRWN: JFURUKAWA CHK'D: TASAKAWA APPR: KMORIKAWA	2016/09/21	GENERAL TOLERANCES (UNLESS SPECIFIED)		DIMENSION UNITS	SCALE		
	2016/09/27	ANGULAR TOL ± 3.0 °		MM	NTS		
	2016/09/27	4 PLACES ± 0.03	DRWN BY	DATE			0.4 BB CONN. HGT=0.8 PLUG ASSY EMBSTP PKG
		3 PLACES ± 0.03	JFURUKAWA	2016/09/21			
		2 PLACES ± 0.05	CHK'D BY	DATE			
	1 PLACE ± 0.1	TASAKAWA	2016/09/27				
	0 PLACES ± 0.2	APPR BY	DATE		PRODUCT CUSTOMER DRAWING		
DRAFT WHERE APPLICABLE MUST REMAIN WITHIN DIMENSIONS		KMORIKAWA	2016/09/27				
		DRAWING SIZE		THIRD ANGLE PROJECTION			
A	REV	A3			SERIES: 503776 MATERIAL NUMBER: SEE CHART CUSTOMER: GENERAL		
				DOCUMENT NUMBER: 5037760000	DOC TYPE: PSD DOC PART: 000 SHEET NUMBER: 2 OF 3		



24	29.4	25.4	13.59	503776-6010	60
			11.59	503776-5010	50
			9.59	503776-4010	40
			8.39	503776-3410	34
			7.59	503776-3010	30
キャリアテープ幅 CARRIER TAPE WIDTH		C	B	(A)	MATERIAL NO. CKT. MODEL NO. 503776-***0

THIS DRAWING CONTAINS INFORMATION THAT IS PROPRIETARY TO MOLEX ELECTRONIC TECHNOLOGIES, LLC AND SHOULD NOT BE USED WITHOUT WRITTEN PERMISSION

EC NO: 108729 DRWN: JFURUKAWA CHK'D: TASAKAWA APPR: KMORIKAWA	2016/09/21	GENERAL TOLERANCES (UNLESS SPECIFIED) ANGULAR TOL ± 3.0 ° 4 PLACES ± 0.03 3 PLACES ± 0.03 2 PLACES ± 0.05 1 PLACE ± 0.1 0 PLACES ± 0.2 DRAFT WHERE APPLICABLE MUST REMAIN WITHIN DIMENSIONS	DIMENSION UNITS	SCALE		
	2016/09/27		MM	NTS		
	2016/09/27		DRWN BY	DATE		0.4 BB CONN. HGT=0.8 PLUG ASSY EMBSTP PKG
	JFURUKAWA		2016/09/21			
	CHK'D BY		DATE			
	TASAKAWA		2016/09/27	PRODUCT CUSTOMER DRAWING		
APPR BY	DATE					
KMORIKAWA	2016/09/27	SERIES	MATERIAL NUMBER	CUSTOMER		
A3	THIRD ANGLE PROJECTION	503776	SEE CHART	GENERAL		
DRAWING SIZE		DOCUMENT NUMBER		DOC TYPE	DOC PART	SHEET NUMBER
A3		5037760000		PSD	000	3 OF 3



注記 NOTES

1. 使用材料 MATERIAL

ハウジング:液晶ポリマー(LCP) UL94V-0(黒)  
 HOUSING : LIQUID CRYSTAL POLYMER UL94V-0 (COLOR : BLACK)  
 ターミナル : 銅合金  
 TERMINAL : COPPER ALLOY  
 金具 : 銅合金  
 FITTING NAIL : COPPER ALLOY

2. メッキ仕様 PLATING

ターミナル TERMINAL

金メッキ  
 GOLD  
 下地メッキ : ニッケルメッキ  
 UNDER PLATING : NICKEL  
 ※コンタクト部とテール部はニッケルメッキによって分断されている金メッキです。  
 DIVIDE INTO PARTS THE GOLD PLATING OF THE CONTACT AND THE TAIL PART BY THE NICKEL PLATING.

金具 FITTING NAIL

錫メッキ  
 Tin PLATING  
 下地メッキ : ニッケルメッキ  
 UNDER PLATING : NICKEL

△3. (全極数/2)=偶数の場合に適用。  
 APPLY FOR (CIRCUIT/2)=EVEN.

4. 嵌合相手 : 503772 シリーズ  
 MATE WITH : 503772 SERIES.

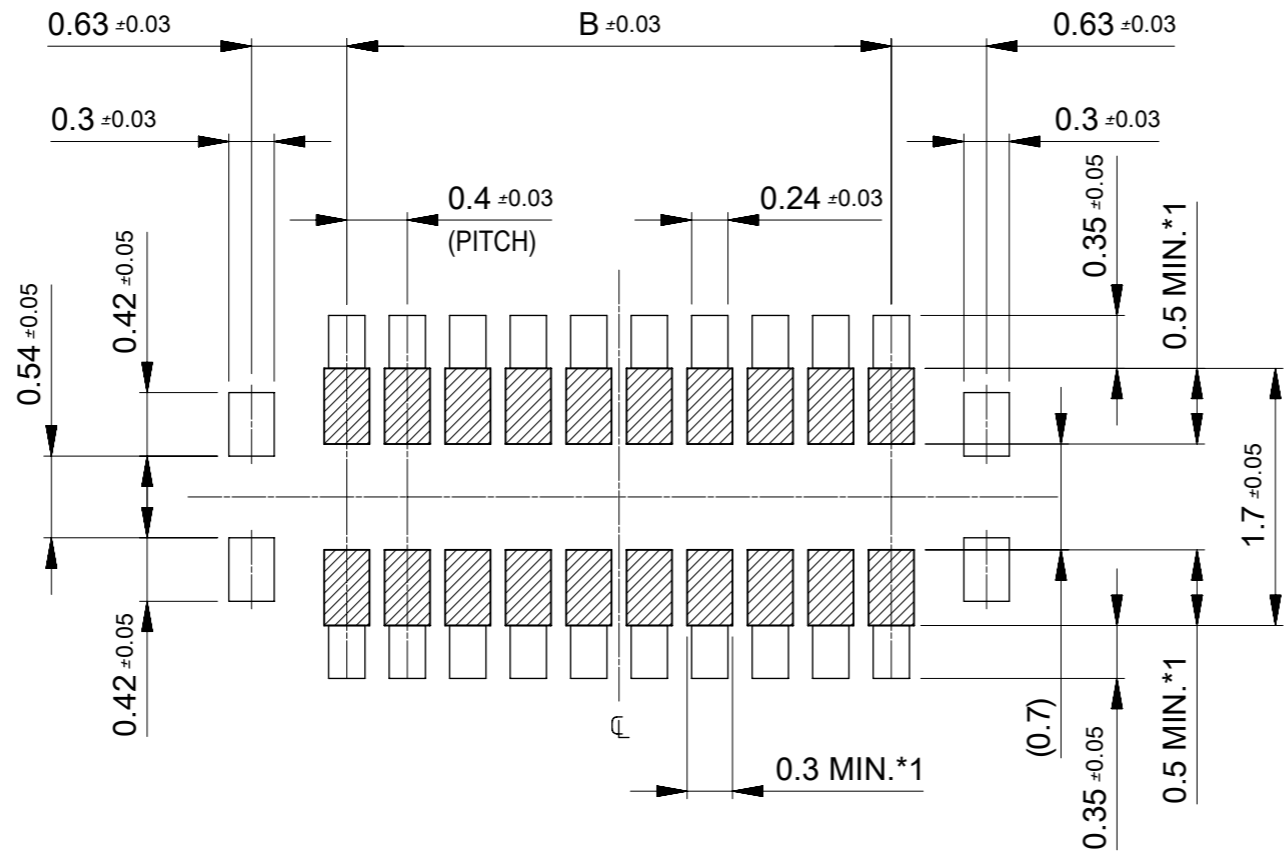
5. テール及び金具の平坦度は、0.08以下。60極は0.1以下。  
 TAIL AND FITTING NAIL COPLANARITY TO BE 0.08 MAXIMUM.  
 TAIL AND FITTING NAIL COPLANARITY WITH 60cct TO BE 0.1 MAXIMUM.

6. ELV and RoHS COMPLIANT

11.6	13.47	503776-6010	60
9.6	11.47	503776-5010	50
7.6	9.47	503776-4010	40
6.4	8.27	503776-3410	34
5.6	7.47	503776-3010	30
4.4	6.27	503776-2410	24
3.6	5.47	503776-2010	20
2.8	4.67	503776-1610	16
1.6	3.47	503776-1010	10
B	A	EMBOSSED PACKAGE	極数
		オーダー番号 ORDER No.	CIRCUITS
		CONNECTOR SERIES No. : 503776	

THIS DRAWING CONTAINS INFORMATION THAT IS PROPRIETARY TO MOLEX ELECTRONIC TECHNOLOGIES, LLC AND SHOULD NOT BE USED WITHOUT WRITTEN PERMISSION

EC NO: 108729 DRWN: JFURUKAWA CHK'D: TASAKAWA APPR: KMORIKAWA	2016/09/21	GENERAL TOLERANCES (UNLESS SPECIFIED) ANGULAR TOL ± 3.0 ° 4 PLACES ± 0.03 3 PLACES ± 0.03 2 PLACES ± 0.05 1 PLACE ± 0.1 0 PLACES ± 0.2 DRAFT WHERE APPLICABLE MUST REMAIN WITHIN DIMENSIONS	DIMENSION UNITS	SCALE				
	2016/09/27		MM	15:1				
	2016/09/27		DRWN BY	DATE		JFURUKAWA 2016/09/21		
			CHK'D BY	DATE		TASAKAWA 2016/09/27		
			APPR BY	DATE	PRODUCT CUSTOMER DRAWING			
			KMORIKAWA	2016/09/27	SERIES	MATERIAL NUMBER	CUSTOMER	
					503776	SEE TABLE	GENERAL	
			DRAWING SIZE	THIRD ANGLE PROJECTION	DOCUMENT NUMBER	DOC TYPE	DOC PART	SHEET NUMBER
			A3		5037761000	PSD	000	1 OF 2



RECOMMENDED P.W. BOARD  
PATTERN LAYOUT

- \*1 パターン引き回し、および半田禁止エリア  
(当該箇所においては、これと接する回路以外の配線を禁止する。  
また、接する回路を配線する場合はレジストを施し、この部分に  
半田は無きこととする。)
- \*1 PROHIBITED AREA OF PATTERN WIRING AND SOLDER.  
(FOR EACH AREA, THE WIRING THAT TOUCHES ON THE SOLDER  
CAN BE ATTACHED, THEN COVERED WITH A FILM TO KEEP SOLDER OUT.)

THIS DRAWING CONTAINS INFORMATION THAT IS PROPRIETARY TO MOLEX ELECTRONIC TECHNOLOGIES, LLC AND SHOULD NOT BE USED WITHOUT WRITTEN PERMISSION

EC NO: 108729 DRWN: JFURUKAWA CHK'D: TASAKAWA APPR: KMORIKAWA	2016/09/21	GENERAL TOLERANCES (UNLESS SPECIFIED)		DIMENSION UNITS	SCALE			
	2016/09/27	ANGULAR TOL ± 3.0 °		MM	20:1			
	2016/09/27	4 PLACES ± 0.03	DRWN BY	DATE				
		3 PLACES ± 0.03	JFURUKAWA	2016/09/21				
		2 PLACES ± 0.05	CHK'D BY	DATE				
	1 PLACE ± 0.1	TASAKAWA	2016/09/27		0.4 BB CONN. HGT=0.8 W=2.5 PLUG ASSY			
	0 PLACES ± 0.2	APPR BY	DATE					
		KMORIKAWA	2016/09/27					
		DRAWING SIZE	THIRD ANGLE PROJECTION					
		A3						
DRAFT WHERE APPLICABLE MUST REMAIN WITHIN DIMENSIONS						PRODUCT CUSTOMER DRAWING		
		SERIES	MATERIAL NUMBER	CUSTOMER				
		503776	SEE TABLE	GENERAL				
		DOCUMENT NUMBER		DOC TYPE	DOC PART	SHEET NUMBER		
		5037761000		PSD	000	2 OF 2		