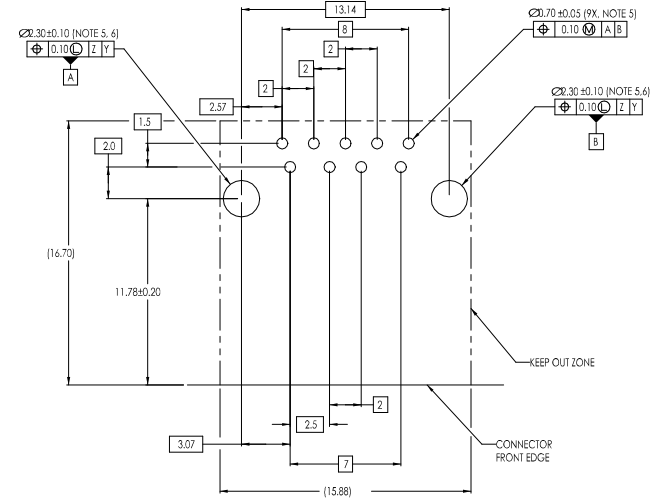


PART NUMBER CODE:
10117835-XOXLF

- PLATING OPTION ON CONTACT AREA
 - 1: 30u" (0.76um) Min. gold (Durability: 3500)
 - 2: Gold Flash (Durability: 1500)
 - 3: 15u" (0.38um) Min. gold (Durability: 3000)
- PACKAGE TYPE
 - O: TRAY
 - T: TAPE & REEL



RECOMMENDED PCB LAYOUT
TOP VIEW (THICKNESS: 1.6±0.1mm)

Notes:

- 1) Materials and Finish
 - Housing & Tail Guide: Glass fiber filled thermoplastic resin, UL94 V-0 rated, color blue.
 - Terminals: Copper Alloy, 50u"(1.27um) Min. Ni underplated over all.
 - Contact area: see table
 - Tail area: 80u"(2.0um) Min. Matte Tin plated.
 - Front Shell: Copper Alloy, 50u"(1.27um) Min. Ni plated over all.
 - Back Shell: Stainless Steel, 50u"(2.0um) Min. Ni plated over all.
- 2) Product specification refer to FCI GS-12-0928.
- 3) Package specification refer to GS-14-2157 .
- 4) Housing will withstand exposure to 260°C peak temperature for 10 seconds in a convection reflow oven
- 5) Product meets European Union Directives and other country regulations as described in FCI GS-22-008.
- 6) Recommended PCB hole is finished plating through hole (PTH) size.
- 7) Datum Z,Y and basic dimensions were constructed by customer.

mat'l. code		surface ASME Y14.5		tolerance ASME Y14.5		projection		product family USB 3.0	
ltr	ecn no	dr	date	tolerances unless otherwise specified		MM		title	
A	-	BF	01/04/2012	angles		MM		USB 3.0 Standard-A Receptacle	
B	ELX-N-012221	A.ZH	07/16/2012	x.±0.30		MM		Right Angle Type	
C	ELX-N-17163	L.Q	03/10/2014	x.X±0.25		scale		Soldering to Board Termination	
D	ELX-N-17795	L.Q	05/27/2014	x.XX±0.20		FCI		dwg no sheet 1 of 1 size	
E	ELX-N-19547	L.Q	11/21/2014	dr BEER FU		2012-01-04		10117835 A4	
F	ELX-N-21815	L.Q	09/01/2015	engr BEER FU		2012-01-04		type CUSTOMER Drawing	
G	ELX-N-48618	TY	06/29/2023	chr BEER FU		2012-01-04			
sheet	revision	G							
index	sheet	1							